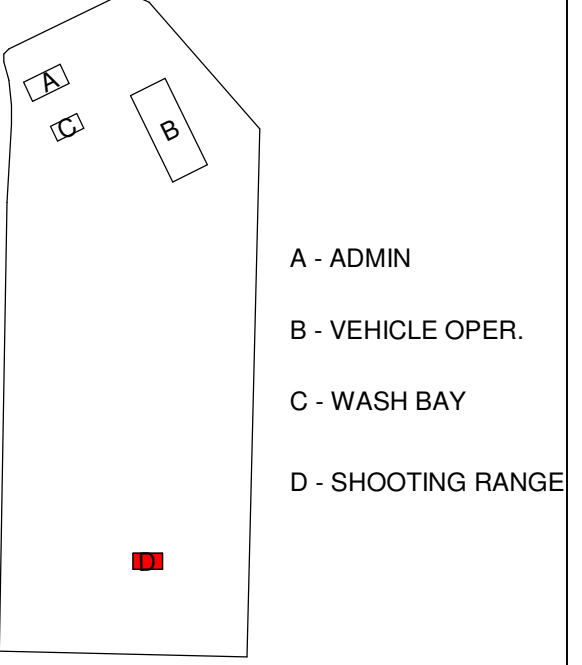


SHERWOOD
 SHERWOOD PUBLIC WORKS
 TWO PINES & LANDERS ROAD
 SHERWOOD, AR 72117



Design Phase: _____

CONSTRUCTION DOCUMENTS

Revisions

No.	Date	Description
1	10-09-2024	ADD 001
2	11-05-2024	ADD 002

Stamp

09-23-2024

Notes

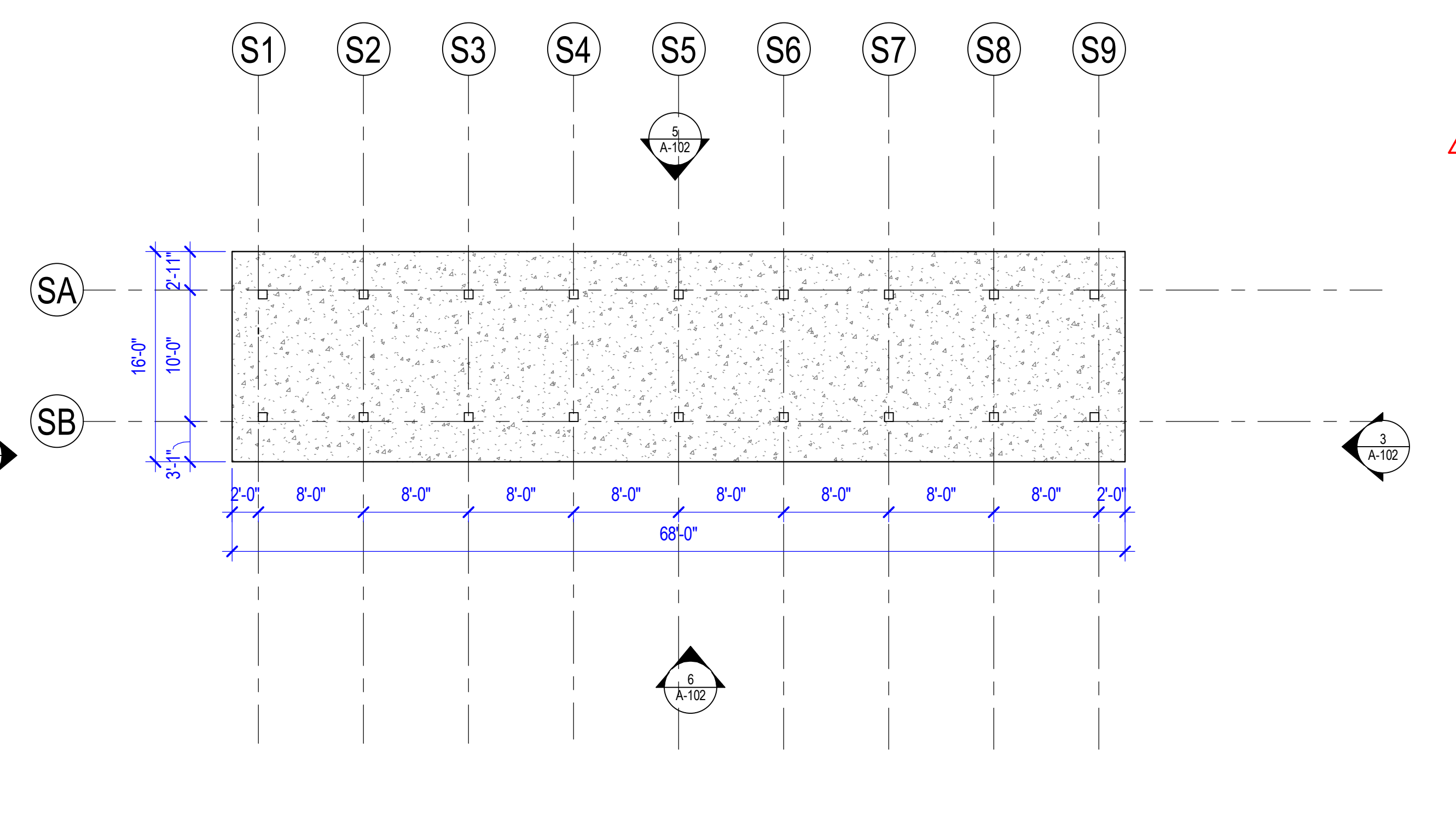
- CROMWELL ARCHITECTS ENGINEERS, INC. ALL RIGHTS RESERVED.
- THIS SHEET DESIGNED FOR COLOR PRINTING. CRITICAL INFORMATION MAY BE LOST WITH BLACK AND WHITE PRINTING.

Project Number: 2023-249
 Issue Date: 09-23-2024
 Sheet Title: _____

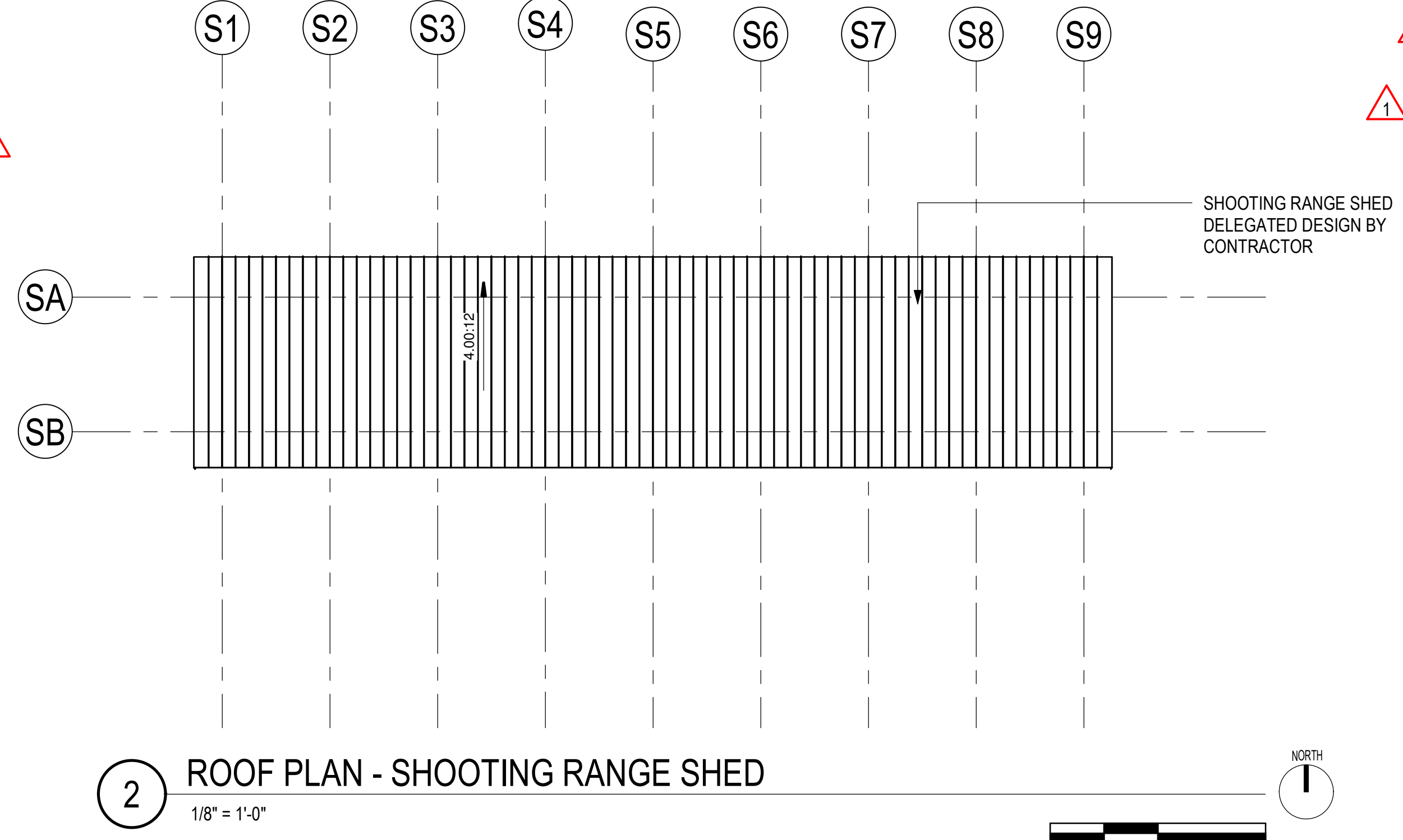
PLANS - SHOOTING RANGE

Sheet Number: _____

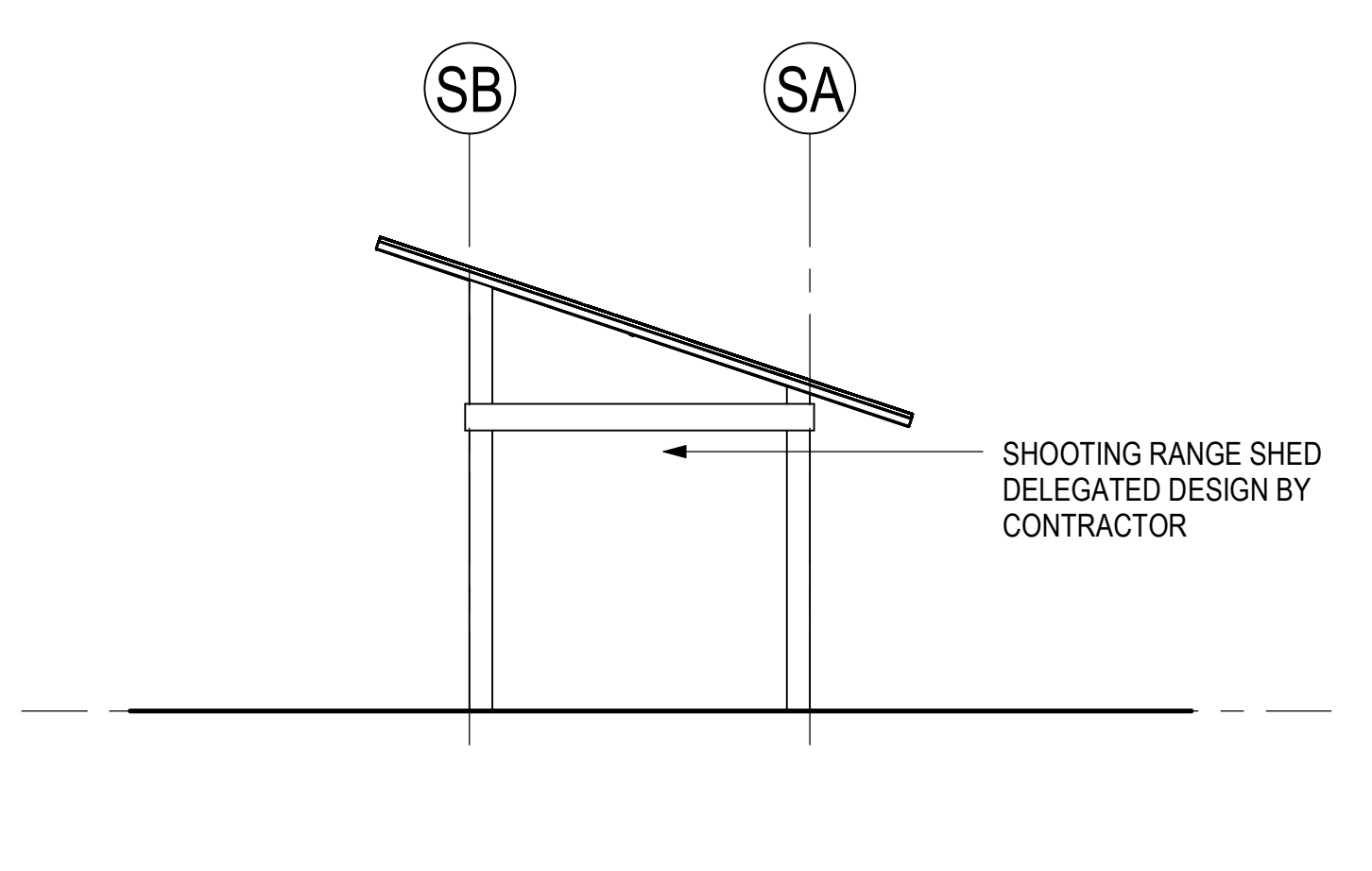
A-102



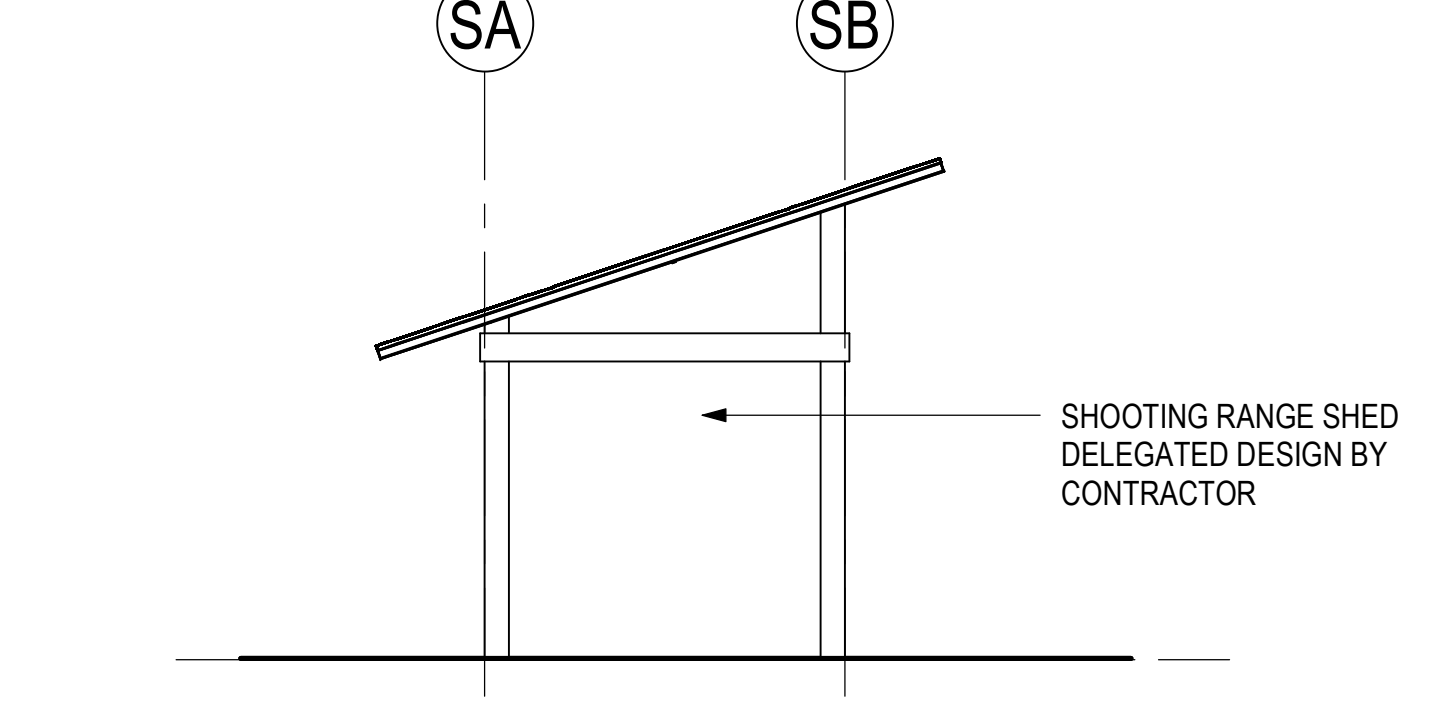
1 PLAN - SHOOTING RANGE SHED
 1/8" = 1'-0"
 SCALE: 1/8" = 1'-0"



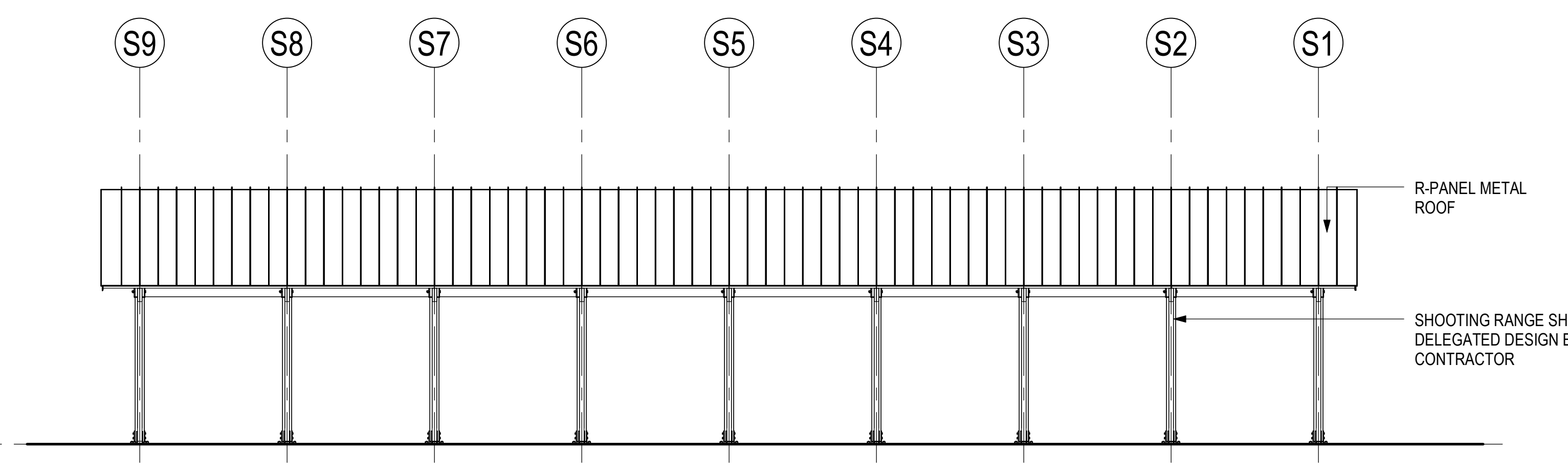
2 ROOF PLAN - SHOOTING RANGE SHED
 1/8" = 1'-0"
 SCALE: 1/8" = 1'-0"



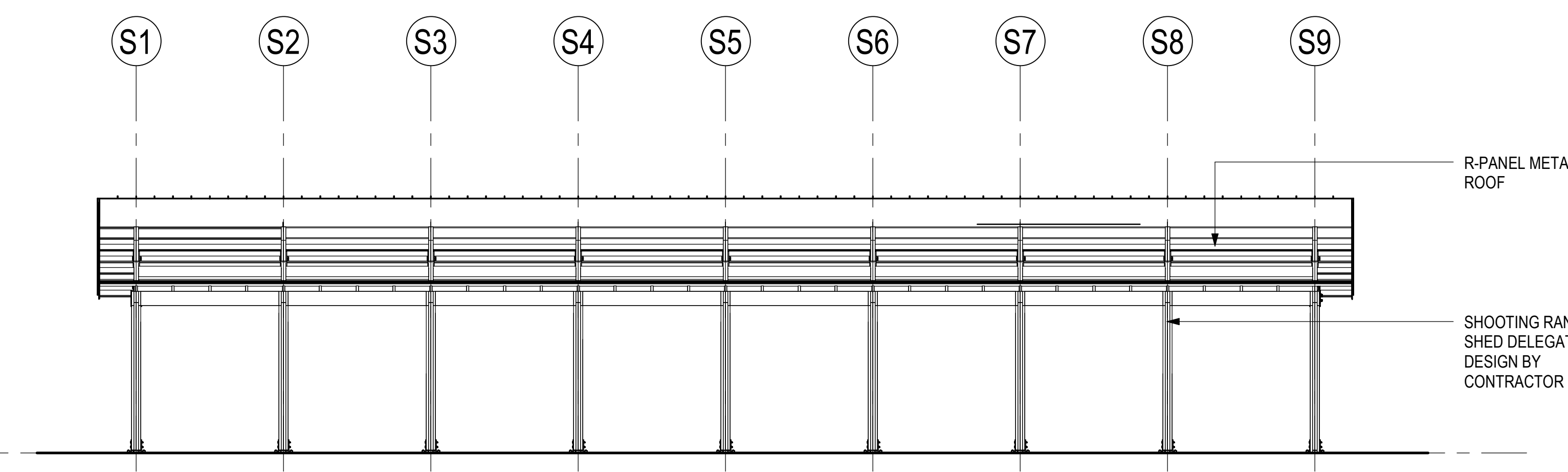
3 SHOOTING RANGE SHED - EAST ELEVATION
 3/16" = 1'-0"
 SCALE: 3/16" = 1'-0"



4 SHOOTING RANGE SHED - WEST ELEVATION
 3/16" = 1'-0"
 SCALE: 3/16" = 1'-0"



5 SHOOTING RANGE SHED - NORTH ELEVATION
 3/16" = 1'-0"
 SCALE: 3/16" = 1'-0"



6 SHOOTING RANGE SHED - SOUTH ELEVATION
 3/16" = 1'-0"
 SCALE: 3/16" = 1'-0"

SCALE: 3/16" = 1'-0"