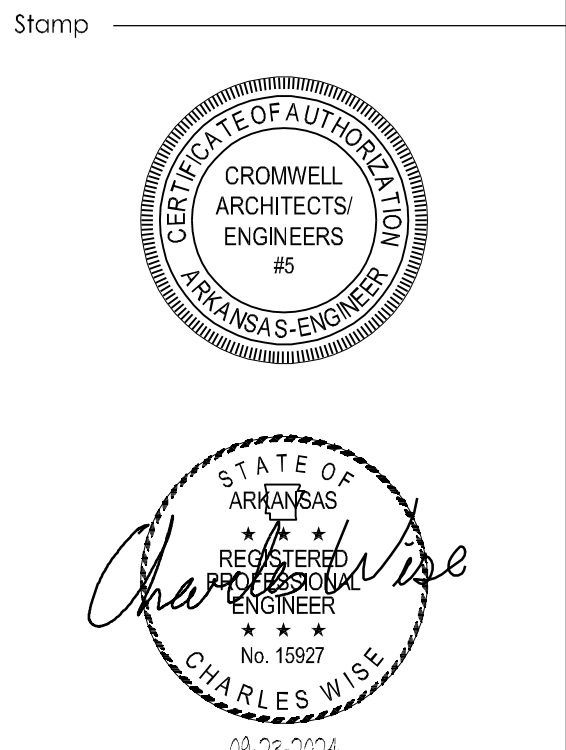


Design Phase

CONSTRUCTION DOCUMENTS

Revisions

No.	Date	Description
1	11-15-2024	ADD 003



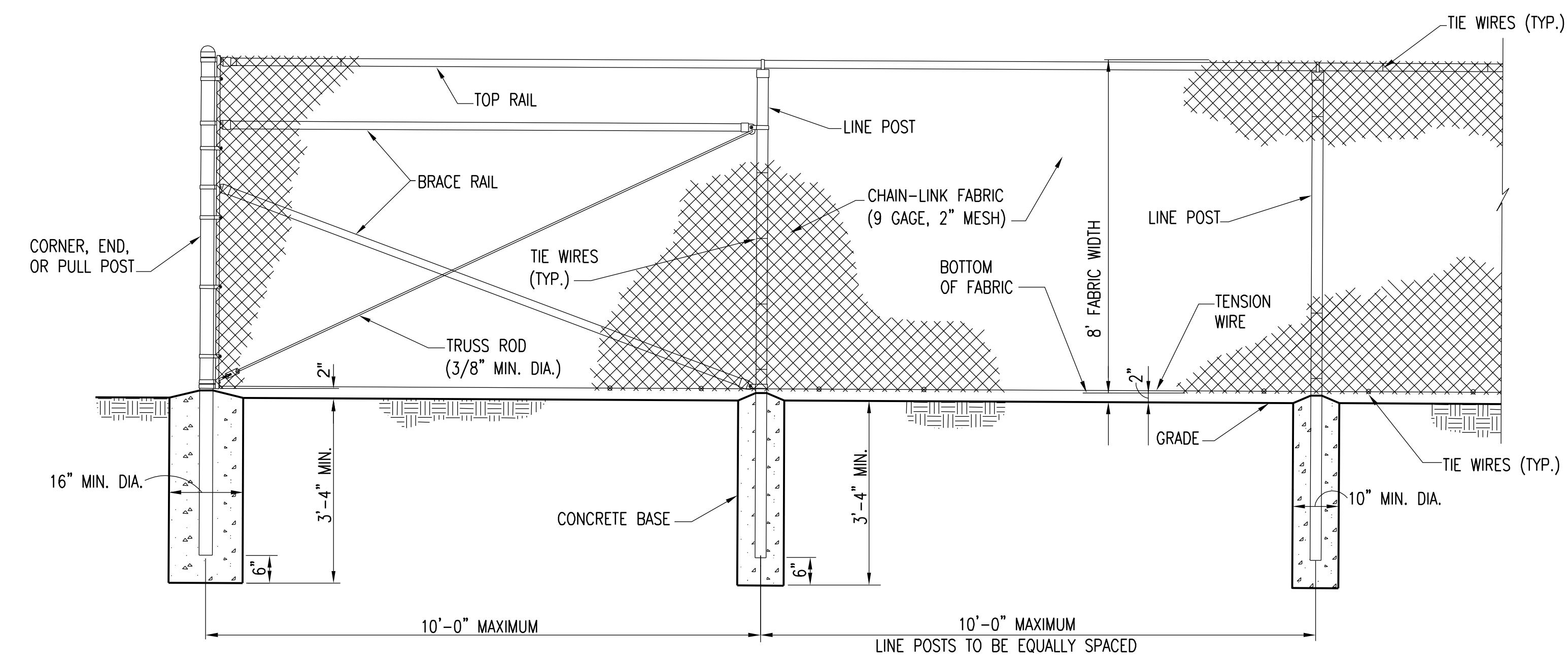
Notes

- CROMWELL ARCHITECTS ENGINEERS, INC. ALL RIGHTS RESERVED
- THIS SHEET DESIGNED FOR COLOR PRINTING. CRITICAL INFORMATION MAY BE LOST WITH BLACK AND WHITE PRINTING.

Project Number **2023-249**
 Issue Date **09-23-2024**
 Sheet Title

CIVIL DETAILS

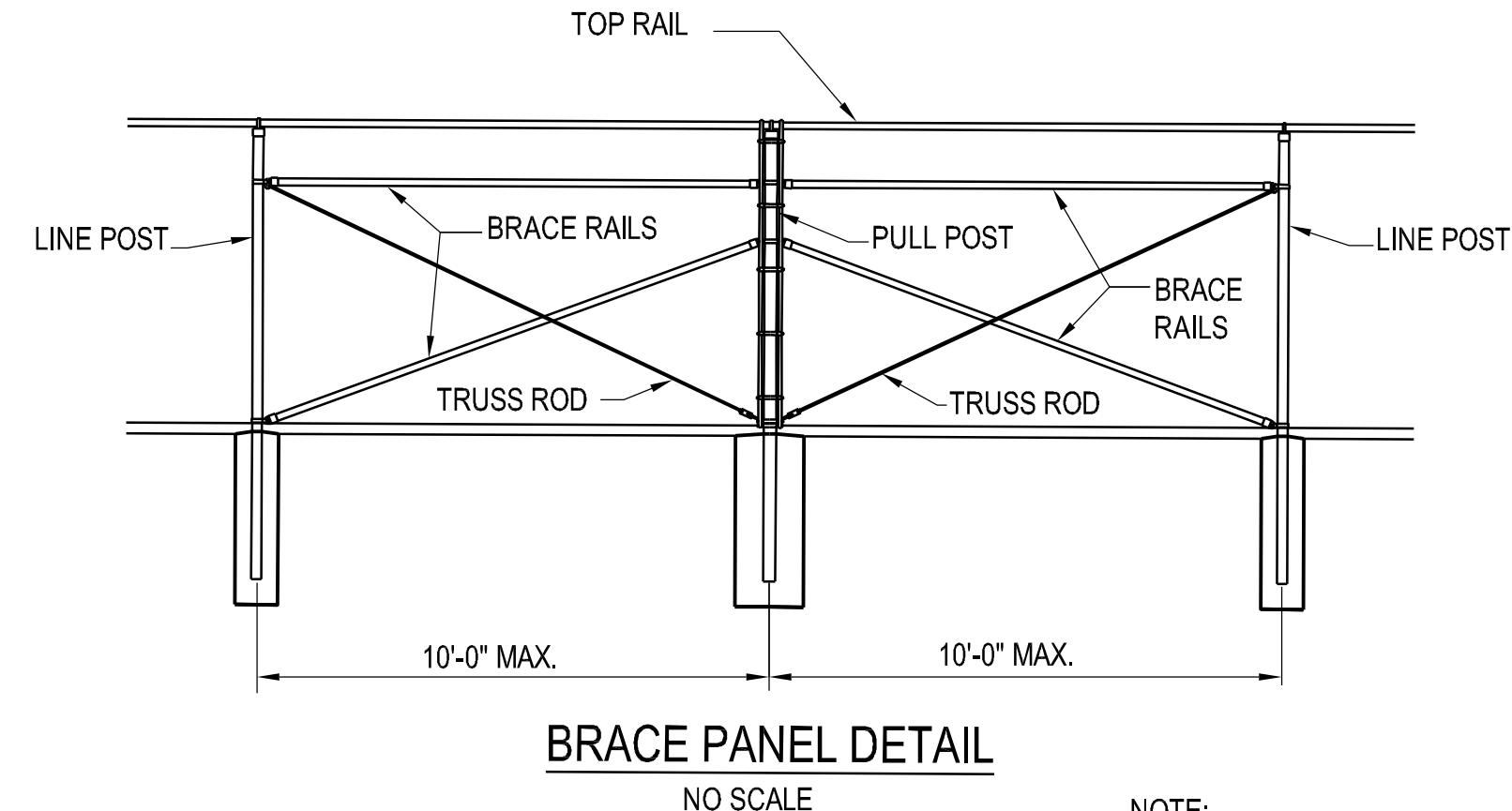
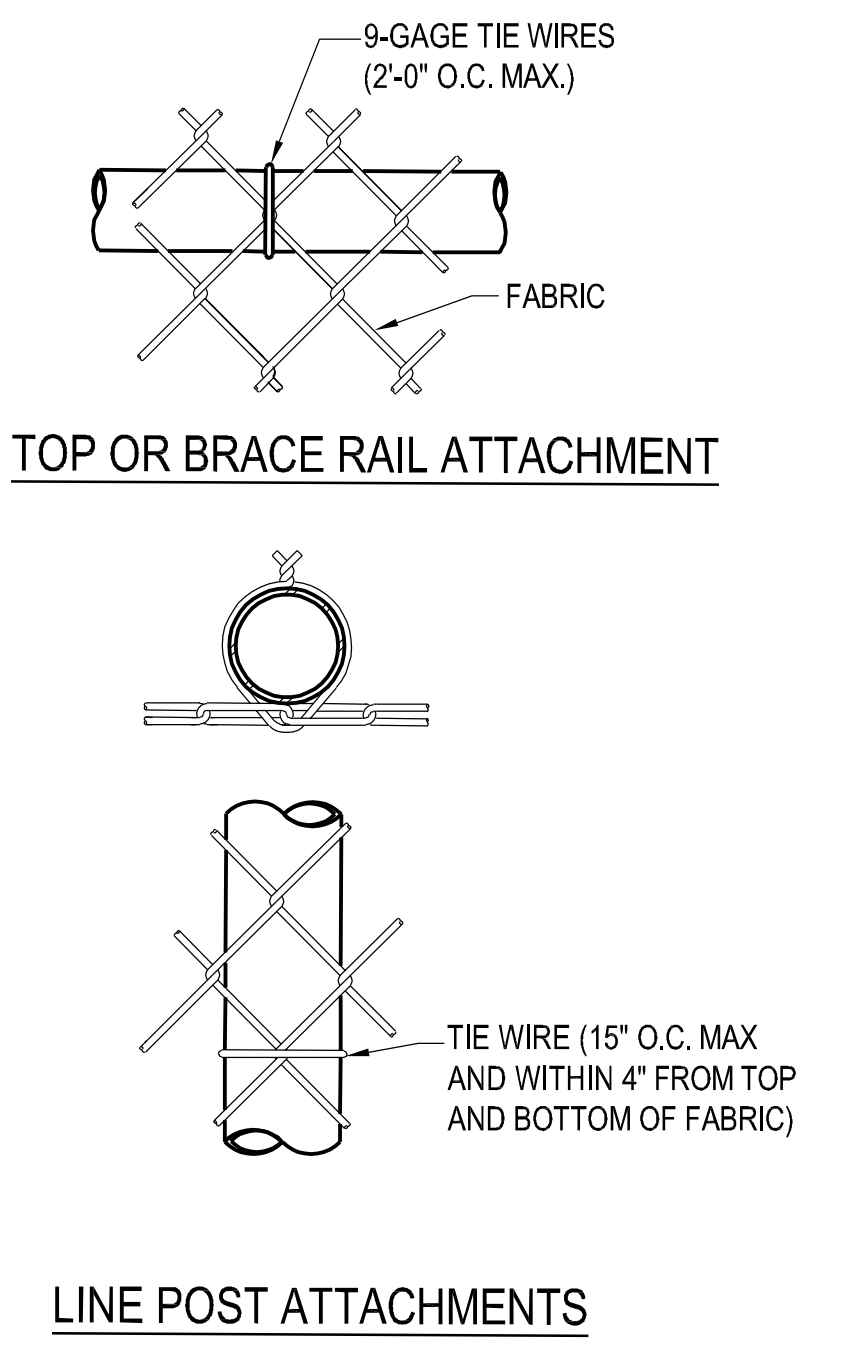
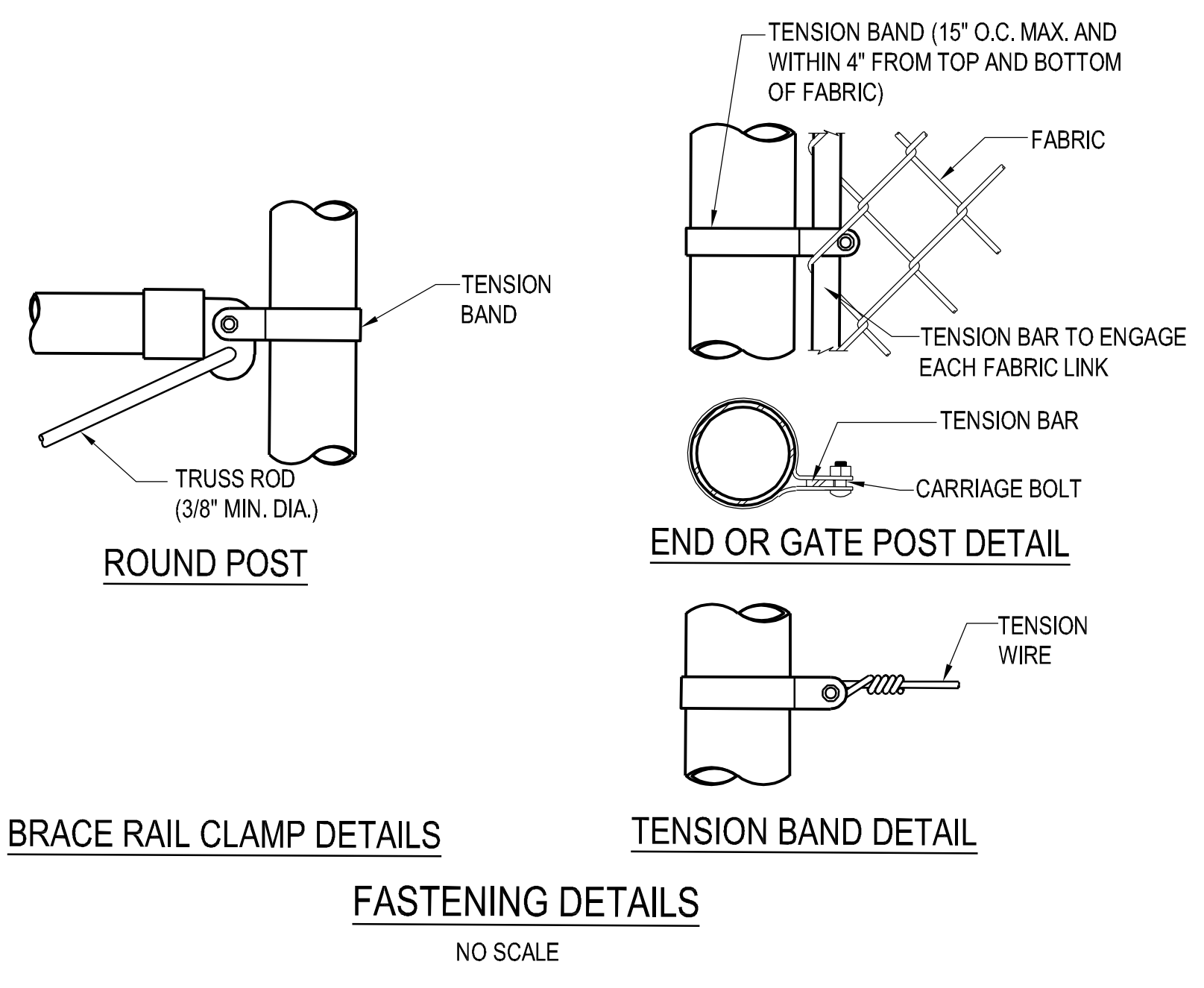
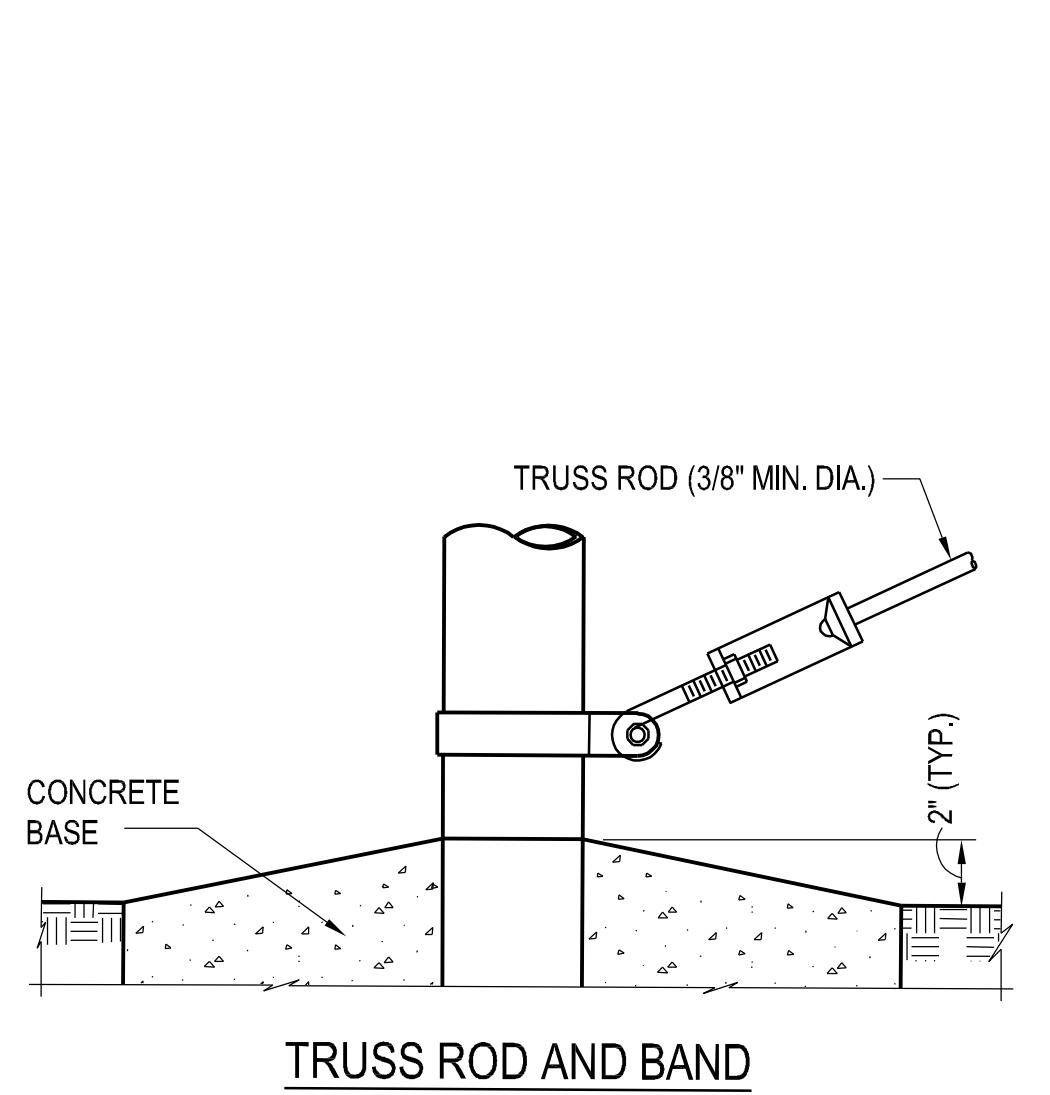
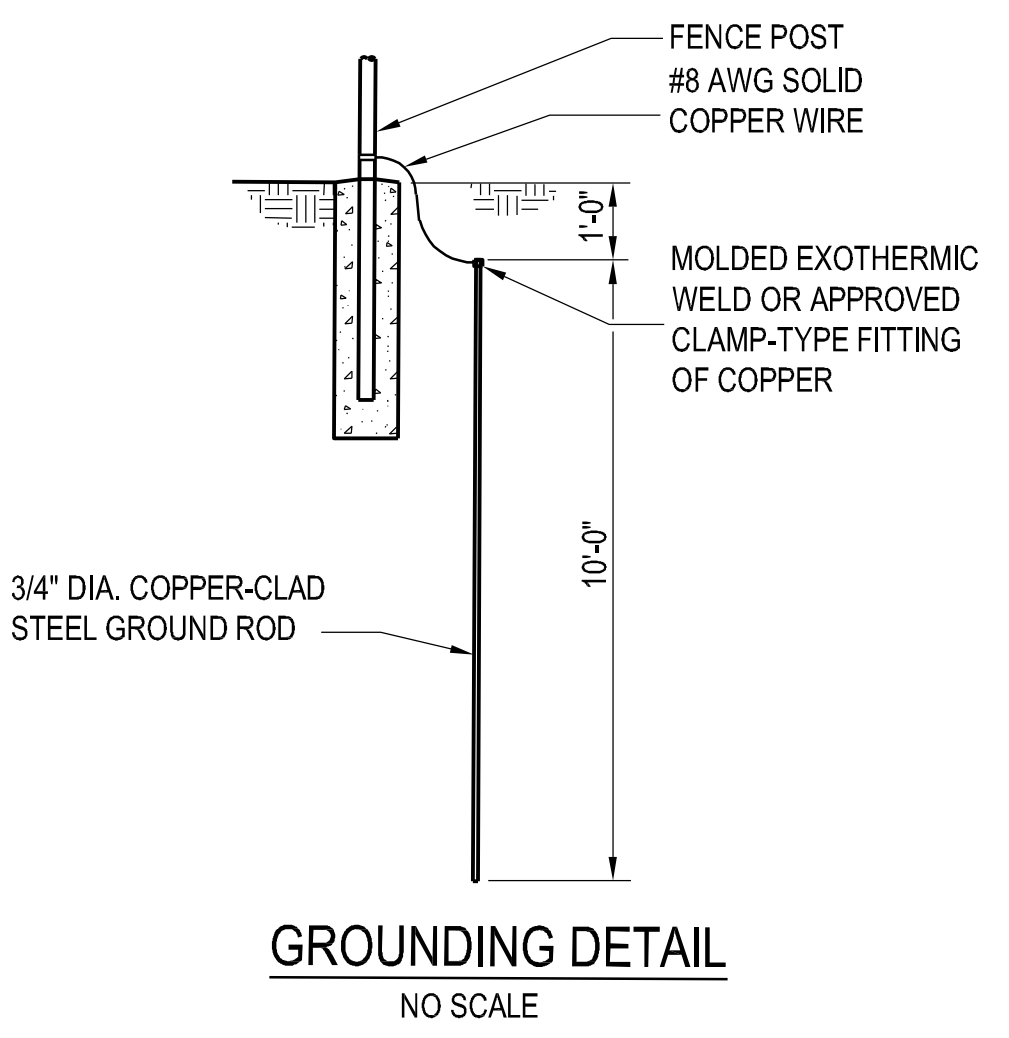
Sheet Number **C-502**



STEEL POST SCHEDULE

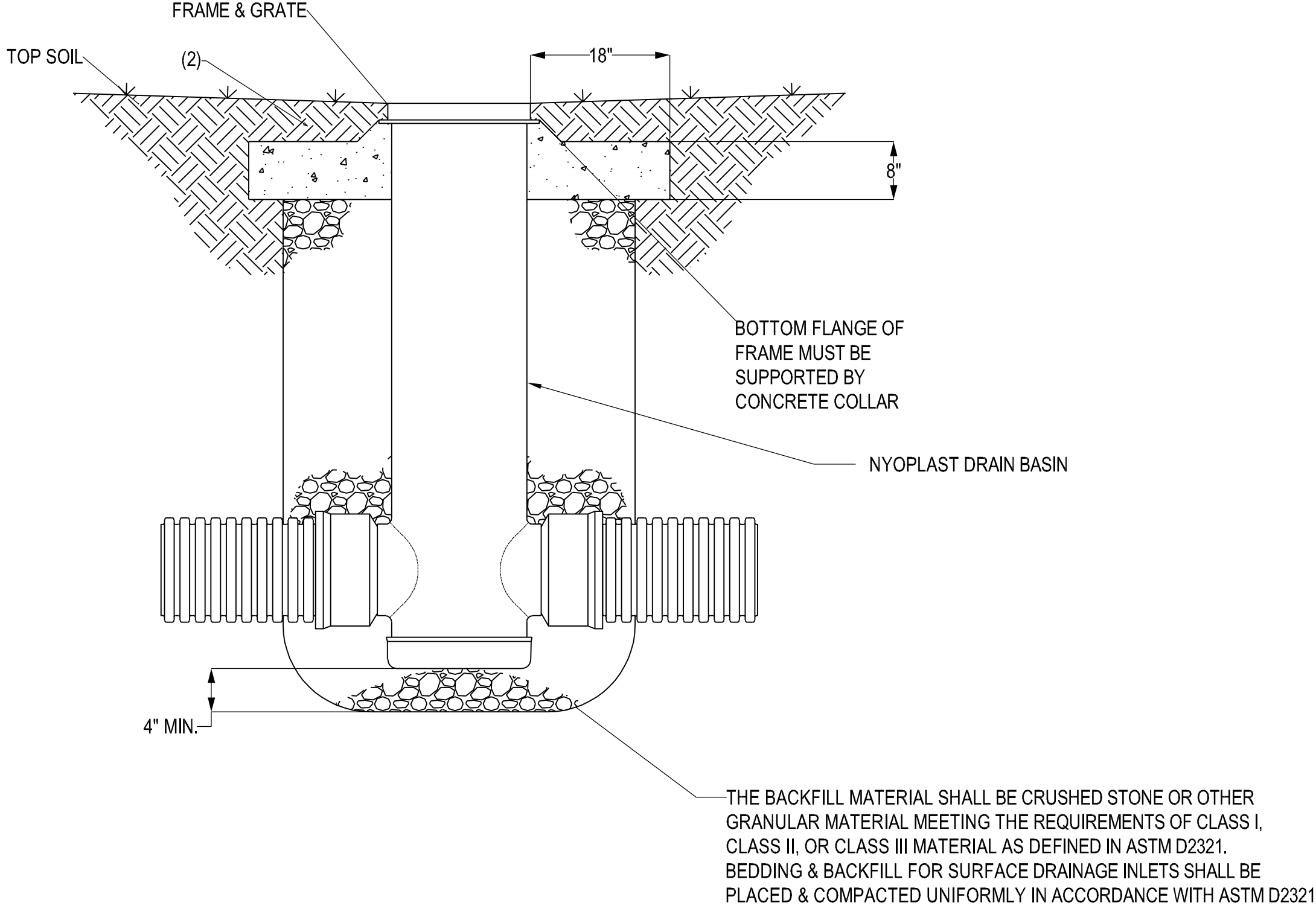
USE AND SECTION	MINIMUM OUTSIDE DIMENSIONS (NOMINAL)	
	FABRIC LESS THAN 72"	FABRIC 72" TO 96"
CORNER, END & PULL POSTS TUBULAR - ROUND	2.375" O.D.	2.875" O.D.
LINE POSTS TUBULAR - ROUND	1.90" O.D.	2.375" O.D.
TOP, BOTTOM & BRACE RAILS TUBULAR - ROUND	1.66" O.D.	

NOTES:
 1. DETAILS SHOWN ARE TO CLARIFY REQUIREMENTS AND ARE NOT INTENDED TO LIMIT OTHER TYPES OF FENCE SECTIONS AND METHODS OF INSTALLATION.
 2. WIRE TIES, RAILS, POSTS, AND BRACES SHALL BE CONSTRUCTED ON THE SECURE SIDE OF THE FENCE ALIGNMENT. CHAIN-LINK FABRIC SHALL BE PLACED ON THE OPPOSITE SIDE OF THE SECURE AREA.

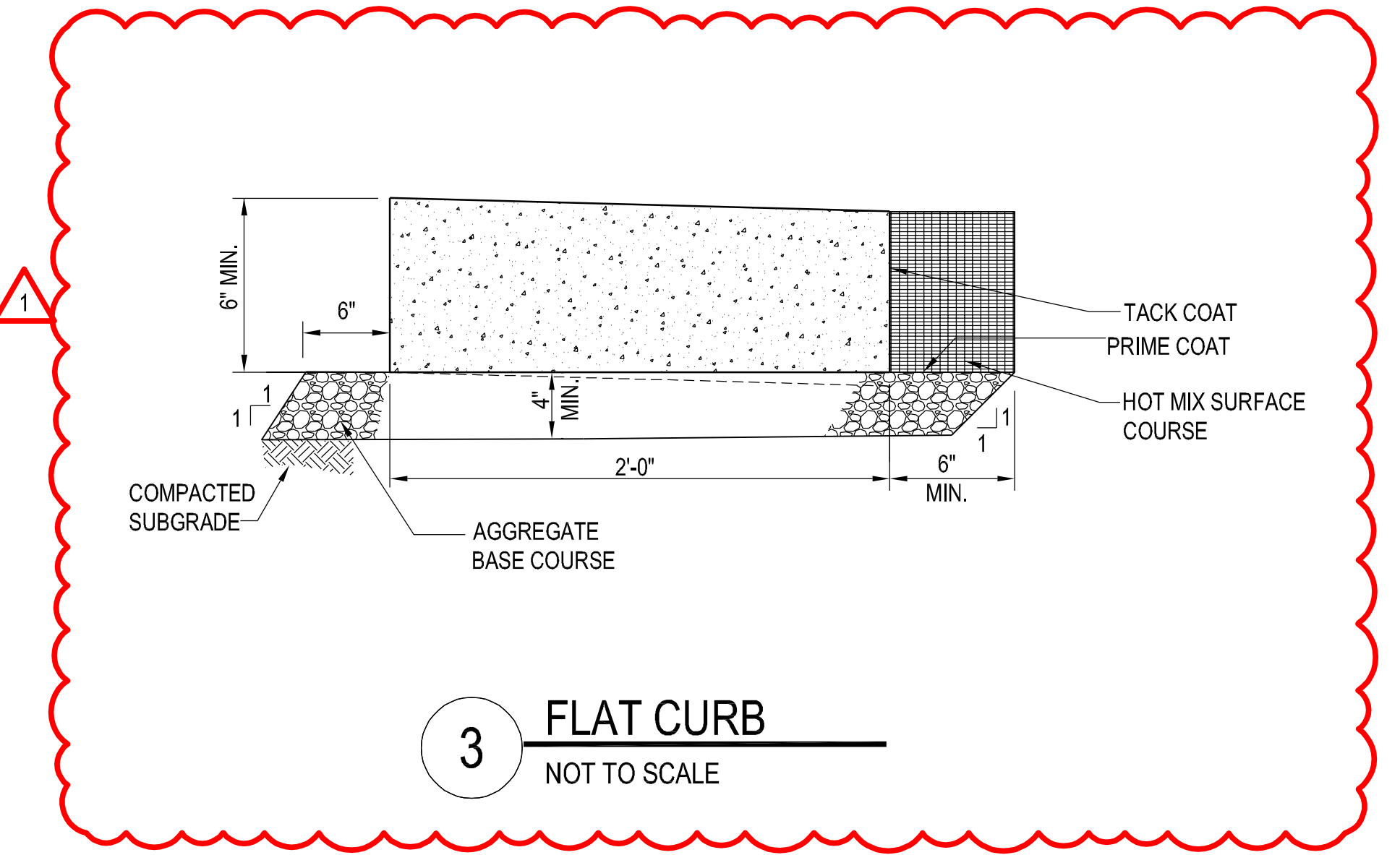


NOTE:
 PROVIDE BRACE PANEL WHENEVER STRAIGHT RUNS EXCEED 500 FEET. INSTALL IN CENTER OF STRAIGHT RUNS.

1 CHAIN LINK FENCE DETAILS
 NOT TO SCALE



2 AREA DRAIN DETAIL
 NOT TO SCALE



3 FLAT CURB
 NOT TO SCALE