

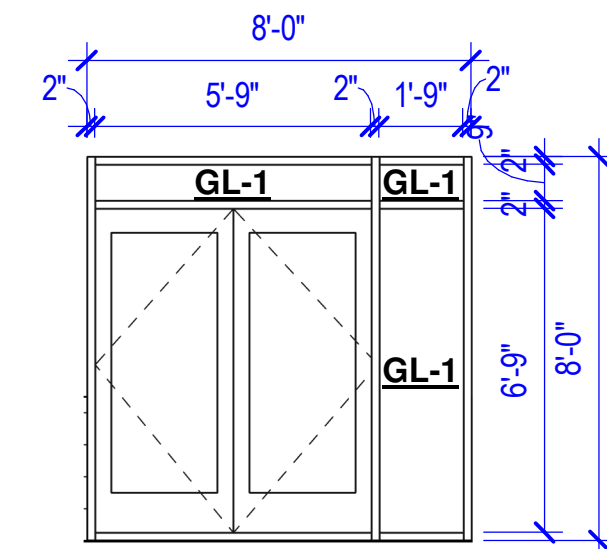
DOOR NO.	TYPE	DOOR SIZE			MATERIAL	FRAME			DETAILS			FIRE RATING IN MINUTES	UNDER CUT	AAOS Project HW Set	DOOR NO.	COMMENTS
		W	HT	THK		FRAME TYPE	FRAME MATERIAL	FRAME FINISH	HEAD	JAMB	THRSLD.					
100	B	3'-0"	7'-0"	1-3/4"	W	HM-1	HM	P	A540-A	A540-A	A540-A		0'-0"	9.0	100	ENTRY LOCK TYP.
101	BB	5'-9"	6'-9"	1-3/4"	AL	AL	AL	BA	A540-A	A540-A	A540-A		0'-0"	1.0	101	ACCESS CONTROL- CLOSER- PANIC HARDWARE
101A	CC	6'-0"	7'-0"	1-3/4"	W	HM-1	AL	P	A540-A	A540-A	A540-A		0'-0"	3.0	101A	ACCESS CONTROL- PANIC HARDWARE- RELEASE BUTTON
102	B	3'-0"	7'-0"	1-3/4"	W	HM-1	HM	P	A540-A	A540-A	A540-A		0'-0"	9.0	102	ENTRY LOCK TYP.
103	B	3'-0"	7'-0"	1-3/4"	W	HM-1	HM	P	A540-A	A540-A	A540-A		0'-0"	11.0	103	CLASSROOM LOCK
103A	A	2'-6"	7'-0"											13.0	103A	
103E	RR	2'-6"	4'-6 7/8"		AL	HM-1	HM	P							103E	
103F	RR	2'-6"	4'-6 7/8"		AL	HM-1	HM	P							103F	
103G	RR	2'-6"	4'-6 7/8"		AL	HM-1	HM	P							103G	
103H	RR	2'-6"	4'-6 7/8"		AL	HM-1	HM	P							103H	
104	B	3'-0"	7'-0"	1-3/4"	W	HM-1	HM	P	A540-A	A540-A	A540-A		0'-0"	9.0	104	ENTRY LOCK TYP.
105	A	3'-0"	7'-0"	1-3/4"	W	HM-1	HM	P	A540-A	A540-A	A540-A		0'-0"	7.0	105	
106	A	3'-0"	7'-0"	1-3/4"	W	HM-1	HM	P	A540-A	A540-A	A540-A		0'-0"	13.0	106	
107	C	3'-0"	7'-0"	1-3/4"	W	HM-1	HM	P	A540-A	A540-A	A540-A		0'-1/2"	7.0	107	
108	C	3'-0"	7'-0"	1-3/4"	W	HM-1	HM	P	A540-A	A540-A	A540-A		0'-0"	8.0	108	
109	A	3'-0"	7'-0"	1-3/4"	W	HM-1	HM	P	A540-A	A540-A	A540-A		0'-0"	14.0	109	PRIVACY LOCK- CLOSER
110	A	3'-0"	7'-0"	1-3/4"	W	HM-1	HM	P	A540-A	A540-A	A540-A		0'-0"	15.0	110	PUSH PLATE/PULL
110A	RR	3'-0"	4'-6 7/8"		W	HM-1	HM	P					0'-0"		110A	
111	A	3'-0"	7'-0"	1-3/4"	W	HM-1	HM	P	A540-A	A540-A	A540-A		0'-0"	15.0	111	PUSH PLATE/PULL
111A	RR	3'-0"	4'-6 7/8"		AL	HM-1	HM	P					0'-0"		111A	
111B	RR	2'-6"	4'-6 7/8"		AL	HM-1	HM	P					0'-0"		111B	
112	A	3'-0"	7'-0"	1-3/4"	W	HM-1	HM	P	A540-A	A540-A	A540-A		0'-0"	14.0	112	PRIVACY LOCK- CLOSER
113	B	3'-0"	7'-0"	1-3/4"	W	HM-1	HM	P	A540-A	A540-A	A540-A		0'-0"	9.0	113	ENTRY LOCK TYP.
114	B	3'-0"	7'-0"	1-3/4"	W	HM-1	HM	P	A540-A	A540-A	A540-A		0'-0"	9.0	114	ENTRY LOCK TYP.
115	A	3'-0"	7'-0"	1-3/4"	W	HM-1	HM	P	A540-A	A540-A	A540-A		0'-0"	12.0	115	CLASSROOM LOCK
116	B	3'-0"	7'-0"	1-3/4"	W	HM-1	HM	P	A540-A	A540-A	A540-A		0'-0"	9.0	116	ENTRY LOCK TYP.
117	B	3'-0"	7'-0"	1-3/4"	W	HM-1	HM	P	A540-A	A540-A	A540-A		0'-0"	5.0	117	ACCESS CONTROL
118	B	3'-0"	7'-0"	1-3/4"	W	HM-1	HM	P	A540-A	A540-A	A540-A		0'-0"	9.0	118	ENTRY LOCK TYP.
119	D	3'-0"	7'-0"		W	HM-1	HM	P	A540-A	A540-A	A540-A		0'-0"	6.0	119	ACCESS CONTROL- PANIC HARDWAR
120A	D	3'-0"	7'-0"		W	HM-1	HM	P	A540-A	A540-A	A540-A		0'-0"	10.0	120A	PERIMETER ACOUSTIC SEAL
120B	D	3'-0"	7'-0"		W	HM-1	HM	P	A540-A	A540-A	A540-A		0'-0"	10.0	120B	PERIMETER ACOUSTIC SEAL
120C	B	3'-0"	6'-6"	1-3/4"	AL	HM-2	AL	BA	A540-A	A540-A	A540-A		0'-0"	4.0	120C	
122A	B	3'-0"	7'-0"	1-3/4"	AL	HM-2	AL	BA	A540-A	A540-A	A540-A		0'-0"	2.0	122A	ACCESS CONTROL- PANIC HARDWAR
122B	B	3'-0"	7'-0"	1-3/4"	AL	HM-2	AL	BA	A540-A	A540-A	A540-A		0'-0"	2.0	122B	ACCESS CONTROL- PANIC HARDWAR

MATERIALS	
AL	ALUMINUM
ALG	ALUMINUM AND GLASS STOREFRONT DOOR
CT	CLEAR TEMPERED GLASS
CW	CLEAR WIRE GLASS (VERTICAL AND HORIZONTAL WIRE PATTERN - NOT DIAGONAL)
GHW	GALVANIZED HOLLOW METAL
HM	HOLLOW METAL
IHM	INSULATED HOLLOW METAL
SCW	SOLID CORE WOOD
ST	STEEL
W	WOOD
MATERIALS	
S	STAIN
P	PAINT
CA	CLEAR ANODIZED

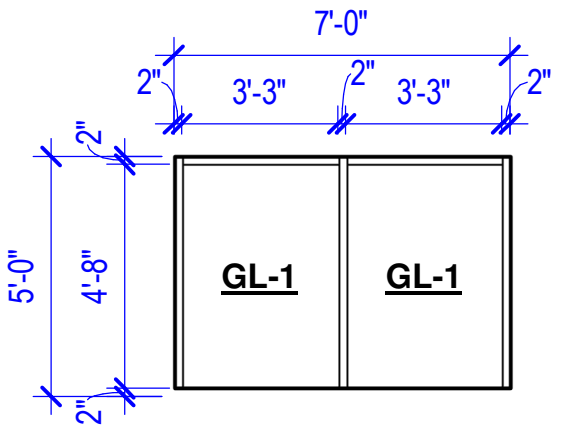
Project



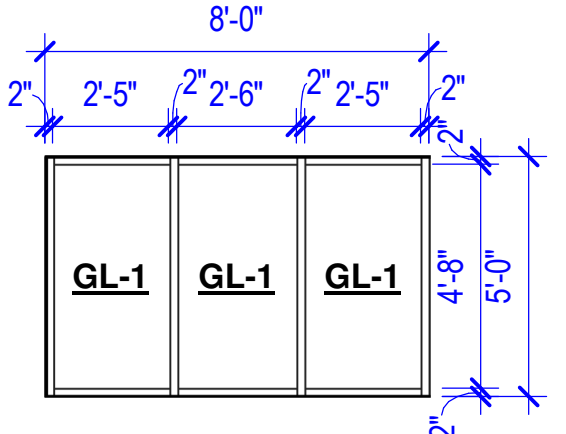
ADMINISTRATION BUILDING
SHERWOOD
SHERWOOD PUBLIC WORKS
TWO PINES & LANDERS ROAD
SHERWOOD, AR 72117



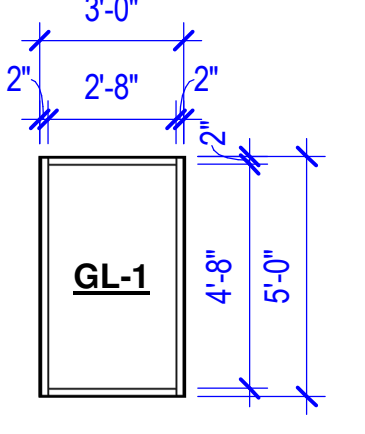
1 AL1
1/4" = 1'-0"
EXTERIOR ALUMINUM STOREFRONT, KAWNEER 451, ANODIZED ALUM. FINISH



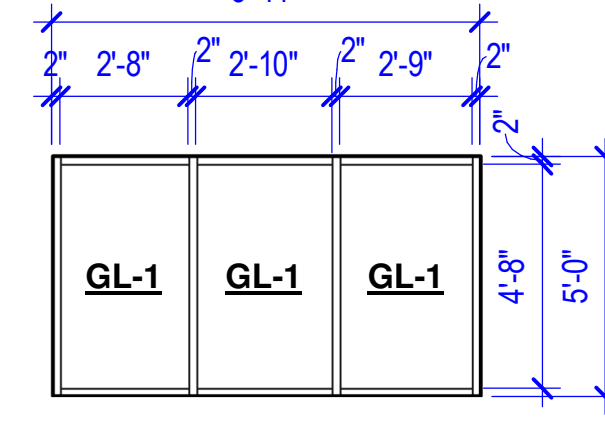
2 AL2
1/4" = 1'-0"
EXTERIOR ALUMINUM STOREFRONT, KAWNEER 451, ANODIZED ALUM. FINISH



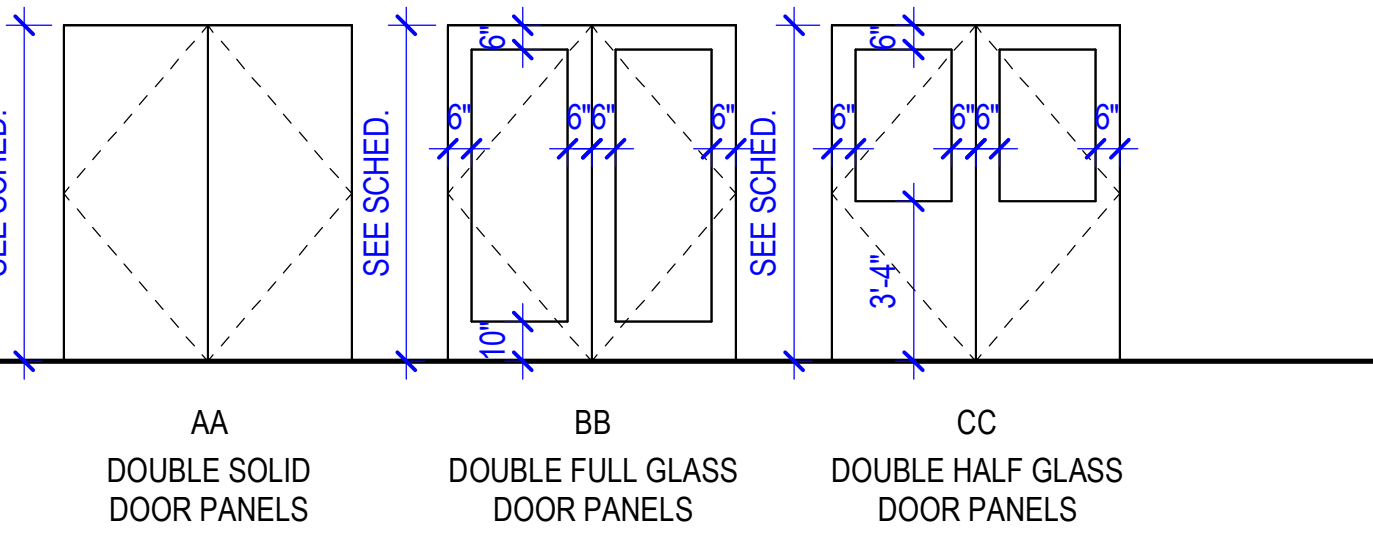
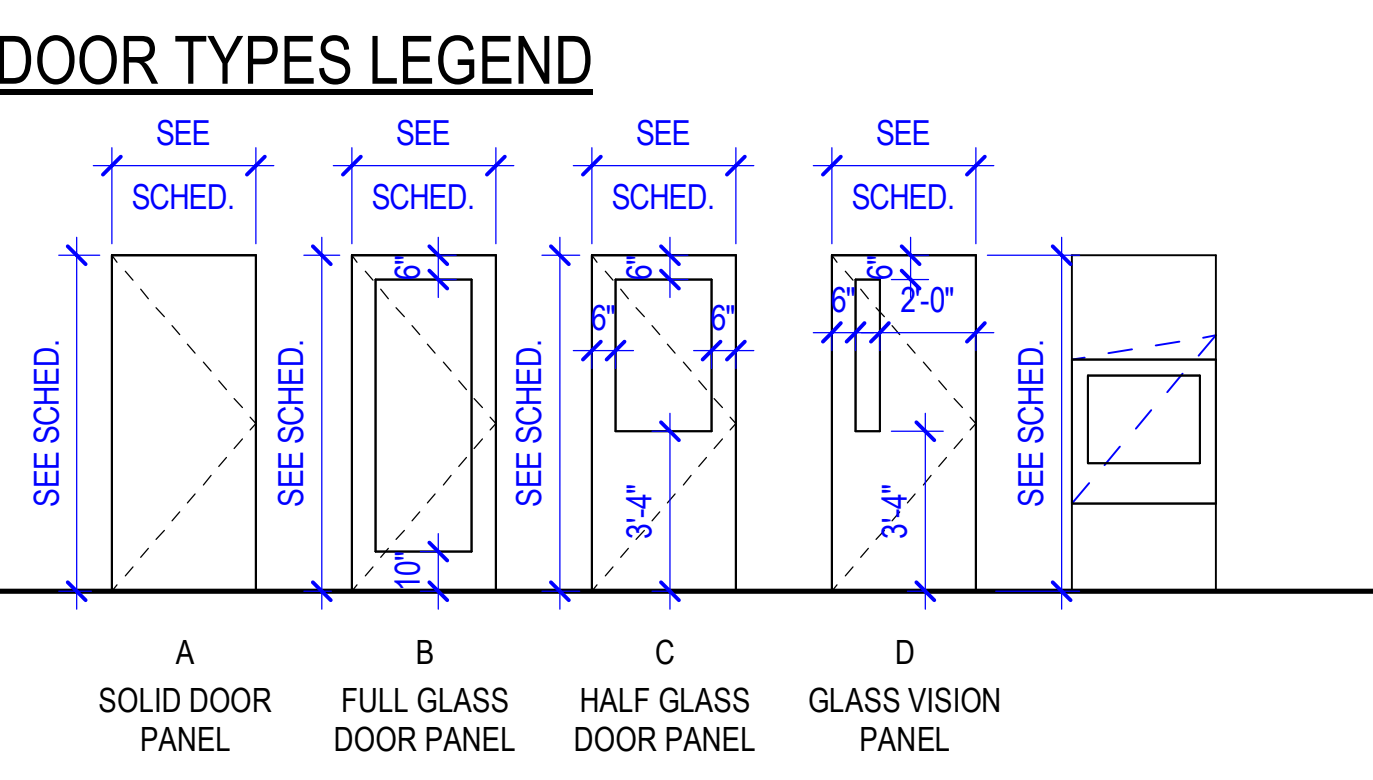
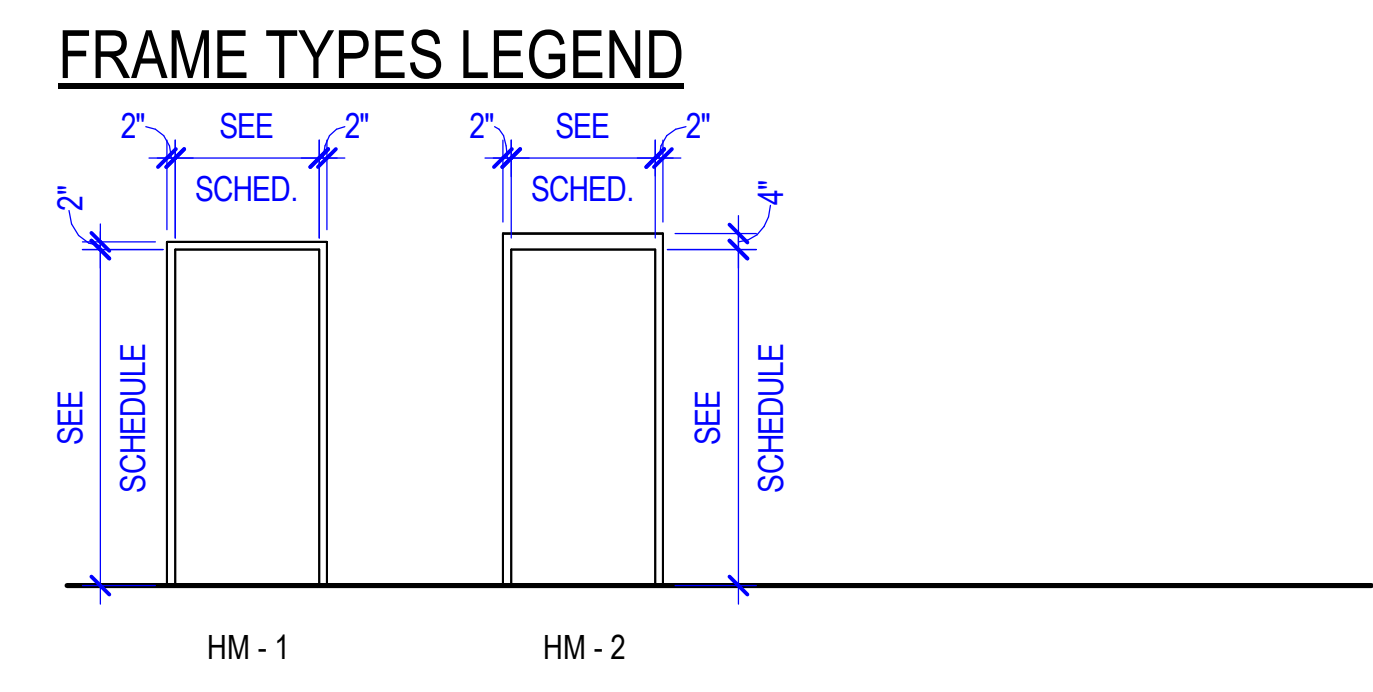
3 AL3
1/4" = 1'-0"
EXTERIOR ALUMINUM STOREFRONT, KAWNEER 451, ANODIZED ALUM. FINISH



4 AL4
1/4" = 1'-0"
EXTERIOR ALUMINUM STOREFRONT, KAWNEER 451, ANODIZED ALUM. FINISH

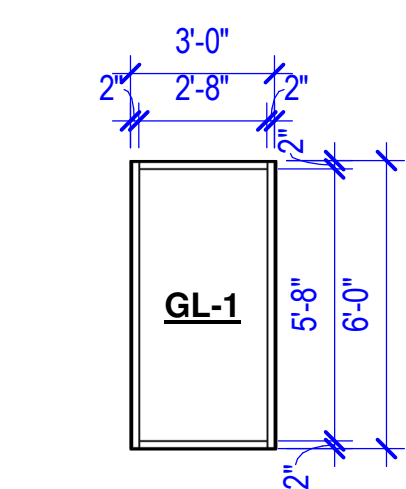


5 AL5
1/4" = 1'-0"
EXTERIOR ALUMINUM STOREFRONT, KAWNEER 451, ANODIZED ALUM. FINISH

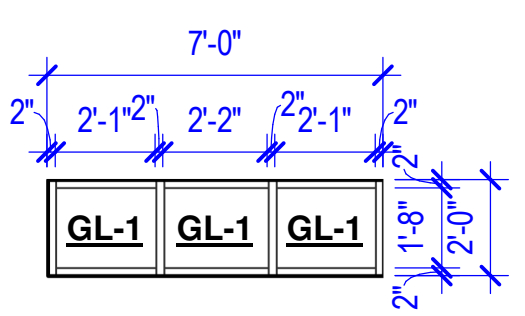


GLAZING SCHEDULE

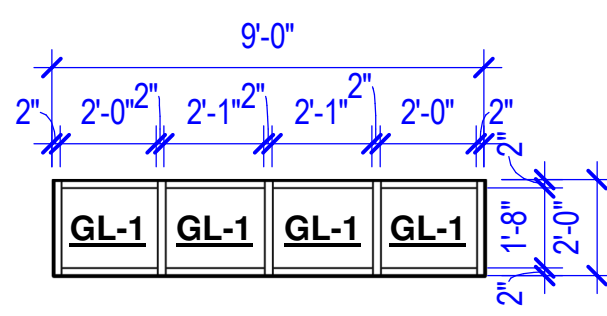
- GL1 1" INSULATED EXTERIOR TEMPERED GLAZING, VITRO SOLARBAN 60
- GL2 3/8" INTERIOR TEMPERED GLAZING, SOLARBAN 60 CLEAR



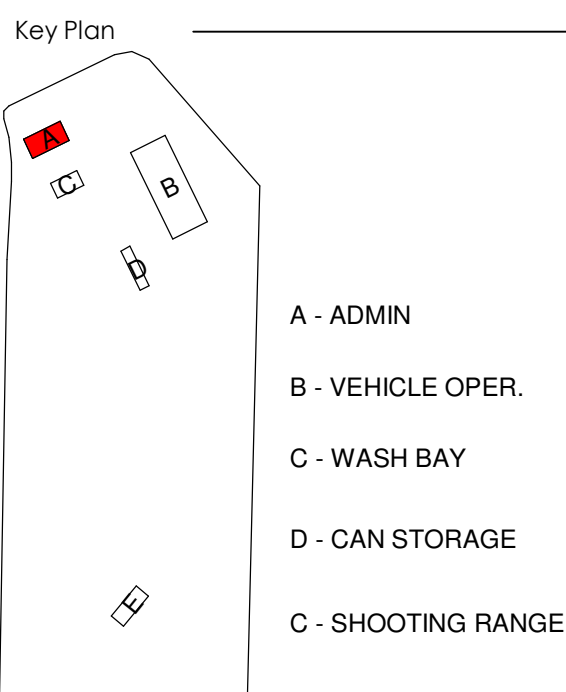
7 AL6
1/4" = 1'-0"
EXTERIOR ALUMINUM STOREFRONT, KAWNEER 451, ANODIZED ALUM. FINISH



8 AL7
1/4" = 1'-0"
EXTERIOR ALUMINUM STOREFRONT, KAWNEER 451, ANODIZED ALUM. FINISH



6 AL8
1/4" = 1'-0"
EXTERIOR ALUMINUM STOREFRONT, KAWNEER 451, ANODIZED ALUM. FINISH



Design Phase

CONSTRUCTION DOCUMENTS

Revisions

No.	Date	Description
1	10-09-2024	ADD 001
2	11-05-2024	ADD 002
3	11-15-2024	ADD 003

Stamp

- Notes
- CROMWELL ARCHITECTS ENGINEERS, INC. ALL RIGHTS RESERVED
 - THIS SHEET DESIGNED FOR COLOR PRINTING. CRITICAL INFORMATION MAY BE LOST WITH BLACK AND WHITE PRINTING.

Project Number **2023-249-10**
Issue Date **09-23-2024**
Sheet Title

DOOR SCHEDULE

Sheet Number

A-620-A