



NORTH LITTLE ROCK

NORTH LITTLE ROCK
COMMUNITY
CENTER
RENOVATIONS

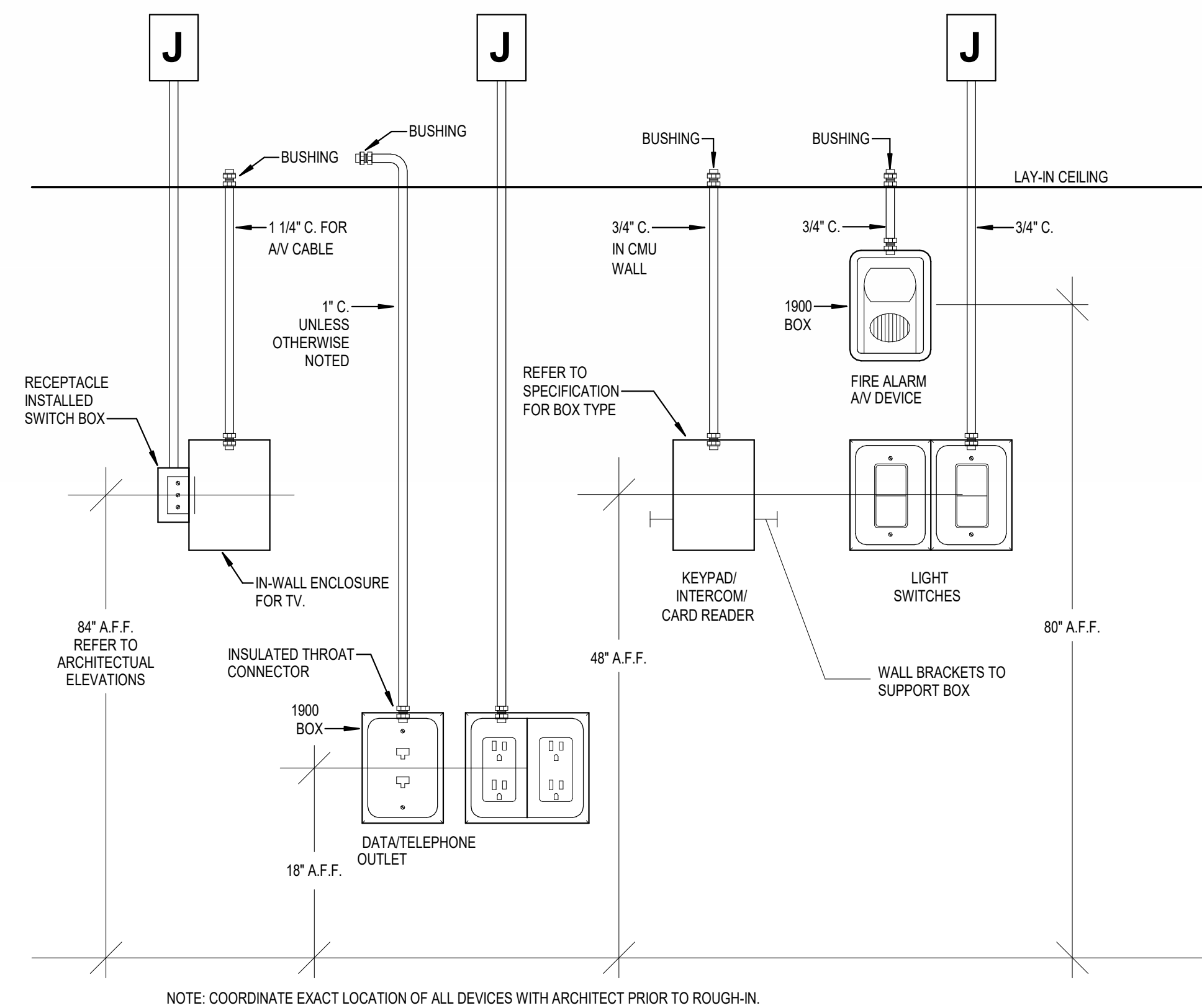
PROJECT NAME _____

SEAL _____

REVISIONS _____

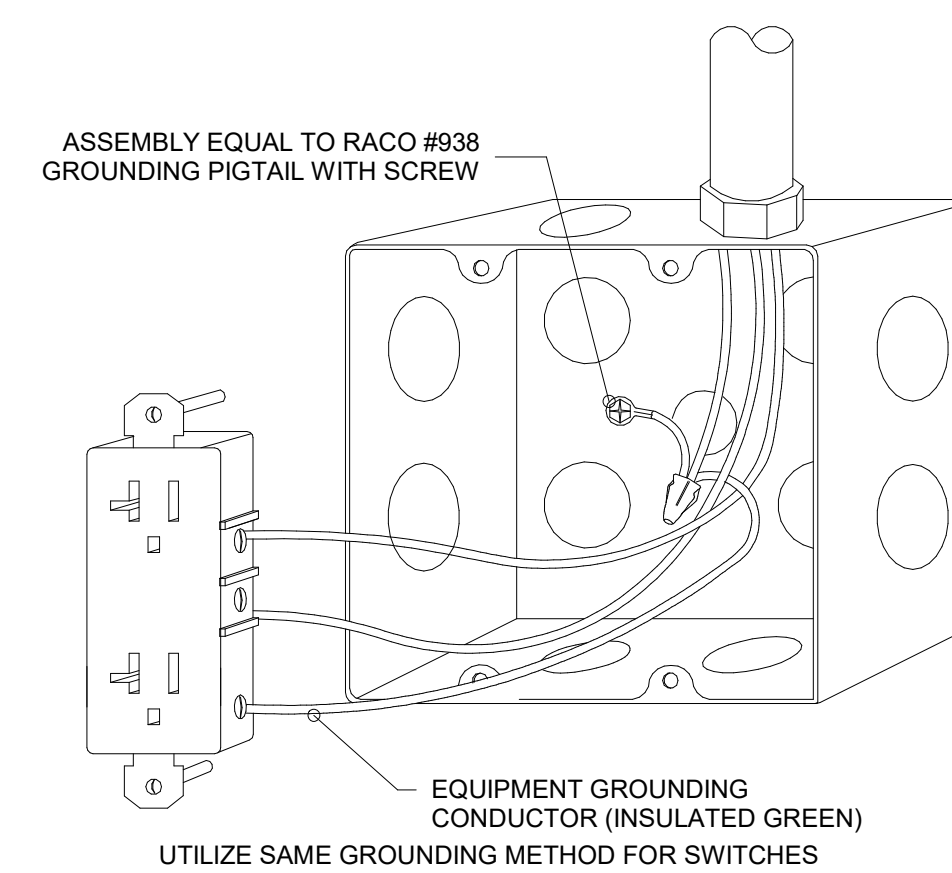
NO.	DESCRIPTION	DATE

Luminaire Schedule				
MARK	VOLTAGE	MANUFACTURER	PART NUMBER	DESCRIPTION
A	UNV	HE WILLIAMS	AT2-22-L50-835-D-DIM-UNV	2X2 TROFFER
AE	UNV	HE WILLIAMS	AT2-22-L50-835-D-EM/10W-DIM-UNV	SAME AS A W/ BATTERY BACKUP
A2	UNV	HE WILLIAMS	AT2-22-L30-835-D-DIM-UNV	2X2 TROFFER
A2E	UNV	HE WILLIAMS	AT2-22-L30-835-D-EM/10W-DIM-UNV	SAME AS A2 W/ BATTERY BACKUP
A3	UNV	HE WILLIAMS	AT2-22-L30-835-D-(L20)-DIM-UNV	2X2 TROFFER
A3E	UNV	HE WILLIAMS	AT2-22-L30-835-D-EM/10W-(L20)-DIM-UNV	SAME AS A3 W/ BATTERY BACKUP
C	UNV	HE WILLIAMS	4DR-L20-835-DIM-UNV-R-W-OF-FINISH-FINISH-N-F1	4IN DOWNLIGHT
CE	UNV	HE WILLIAMS	4DR-L20-835-DIM-UNV-R-W-OF-FINISH-FINISH-N-F1-EM/7W/RTS	SAME AS C W/ BATTERY BACKUP
C2	UNV	HE WILLIAMS	4DR-L40-835-DIM-UNV-R-W-OF-FINISH-FINISH-N-F1	4IN DOWNLIGHT
C2E	UNV	HE WILLIAMS	4DR-L40-835-DIM-UNV-R-W-OF-FINISH-FINISH-N-F1-EM/7W/RTS	SAME AS C2 W/ BATTERY BACKUP
C3E	UNV	HE WILLIAMS	LBSE-6RD-35K8-WH	6" SURFACE
CP	UNV	PRESCOLITE	LTC-6RD-S-S-30L-35K-8-MD-DM1-X-X	SURFACE MOUNT CANOPY FIXTURE
CPE	UNV	PRESCOLITE	LTC-6RD-S-S-30L-35K-8-MD-DM1-EM-X-X	SAME AS CP W/ BATTERY BACKUP
D	UNV	HE WILLIAMS	4DR-L20-835-DIM-UNV-D-W-OF-FINISH-FINISH-N-F1	4IN DOWNLIGHT W/ NON CONDUCTIVE FLUSH LENS
DE	UNV	HE WILLIAMS	4DR-L20-835-DIM-UNV-D-W-OF-FINISH-FINISH-N-F1	SAME AS D W/ BATTERY BACKUP
F	UNV	HINKLEY LIGHTING	902466F-FINISH-LWD	66" FAN
L	UNV	LITE CONTROL	70L-XX-D-8-8-FINISH-35-D600-D01-1C-UNV-XX	LINEAR FIXTURE
LE	UNV	LITE CONTROL	70L-XX-D-8-8-FINISH-35-D600-D01-1C-UNV-XX-EF	SAME AS L W/ BATTERY BACKUP
P	UNV	VISUAL COMFORT & CO	KP1011MBK TALL PENDANT	PENDANT
S1E	UNV	HE WILLIAMS	FS-4-LS-8-CS-EM/10WLP-DIM-UNV (39W)	4' STRIP WITH LUMEN AND CCT SELECTABLE
S2E	UNV	CURRENT	CWM-4-35-MW-SM-FR-FP-ED-U-ELL14	4' WALL MOUNT STRIP
TL1	UNV	LEDI	COB15-35-XX / CH1-KIT-ANG-FR-XX	TAPE LIGHT IN EXTRUSION. PROVIDE SHOP DRAWINGS.
V	UNV	VISUAL COMFORT & CO	DJV1091MBK SMALL VANITY	VANITY
X	UNV	MULE	PVT-U-B-XX-S/R-FINISH	EDGE-LIT UNIVERSAL EXIT SIGN
NOTES				



1 TYPICAL DEVICE ELEVATIONS

12" = 1'-0"



2 JUNCTION BOX GROUNDING

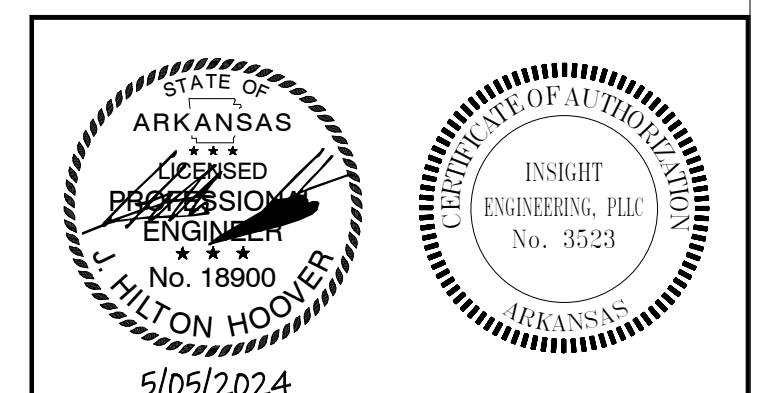
6" = 1'-0"

ELECTRICAL
SCHEDULES AND
DETAILS

SHEET NAME _____

DATE 5/05/2024

PROJECT NUMBER 161423



E301

SHEET NUMBER _____