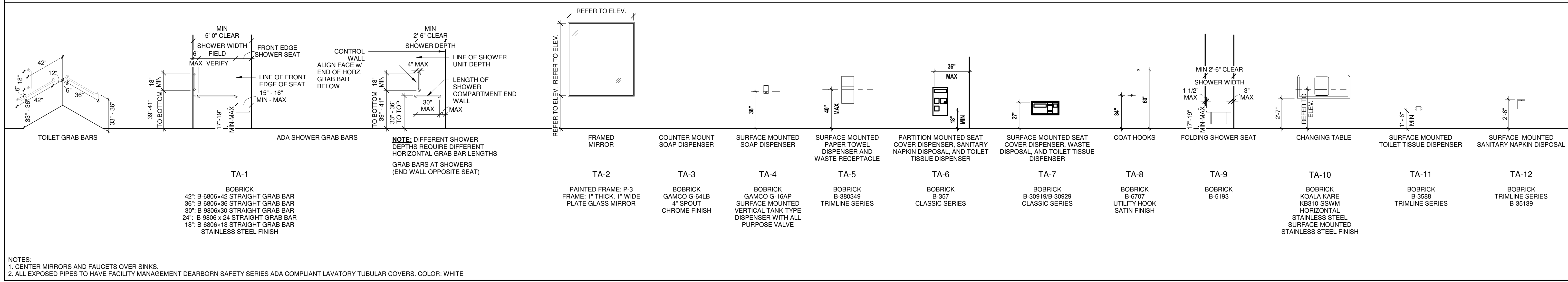


TOILET ACCESSORY TYPES AND MOUNTING HEIGHTS



NOTES:
 1. CENTER MIRRORS AND FAUCETS OVER SINKS.
 2. ALL EXPOSED PIPES TO HAVE FACILITY MANAGEMENT DEARBORN SAFETY SERIES ADA COMPLIANT LAVATORY TUBULAR COVERS. COLOR: WHITE

600 Main Street, Suite 300
 North Little Rock, AR 72114
 Phone: 501-758-7443
 Fax: 501-753-7309
 www.taggarch.com



NORTH LITTLE ROCK

NORTH LITTLE ROCK COMMUNITY CENTER RENOVATIONS

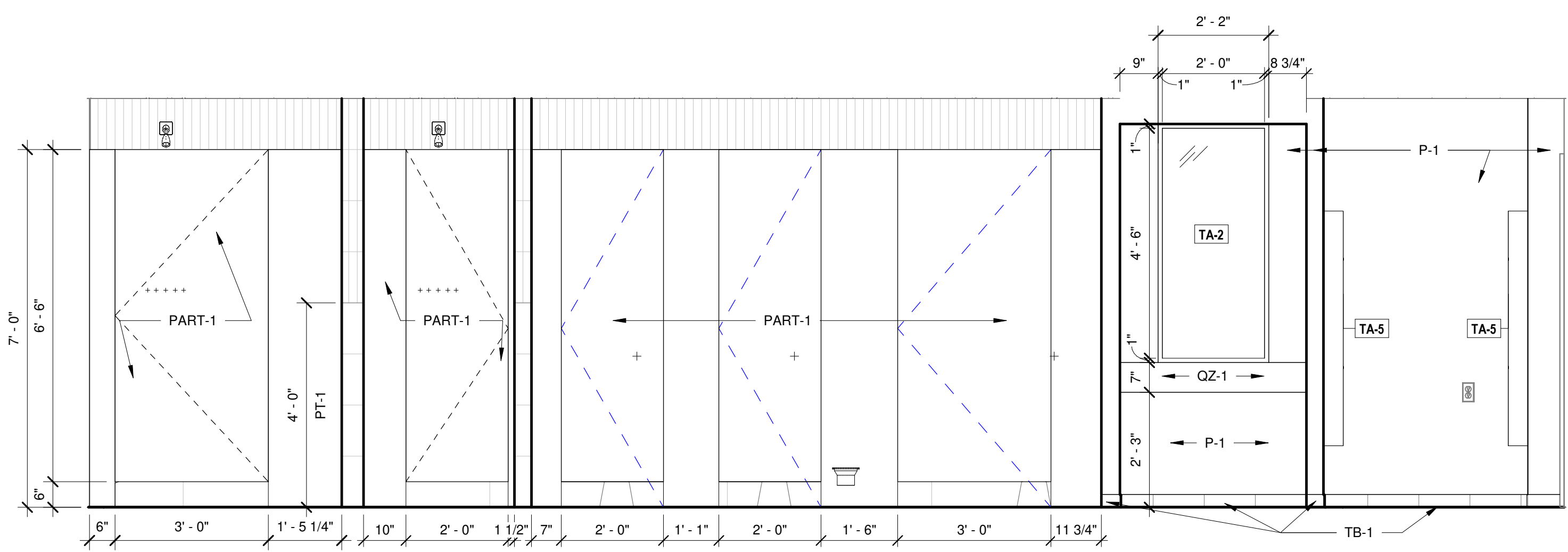
PROJECT NAME _____



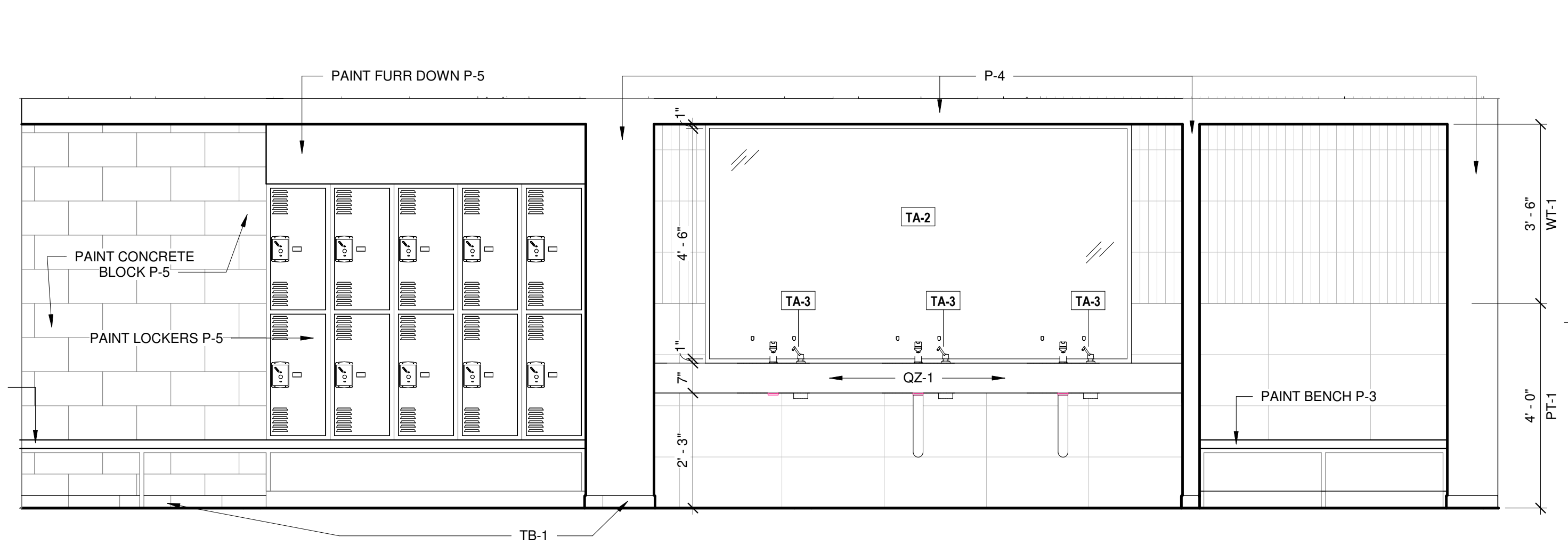
SEAL _____

REVISIONS

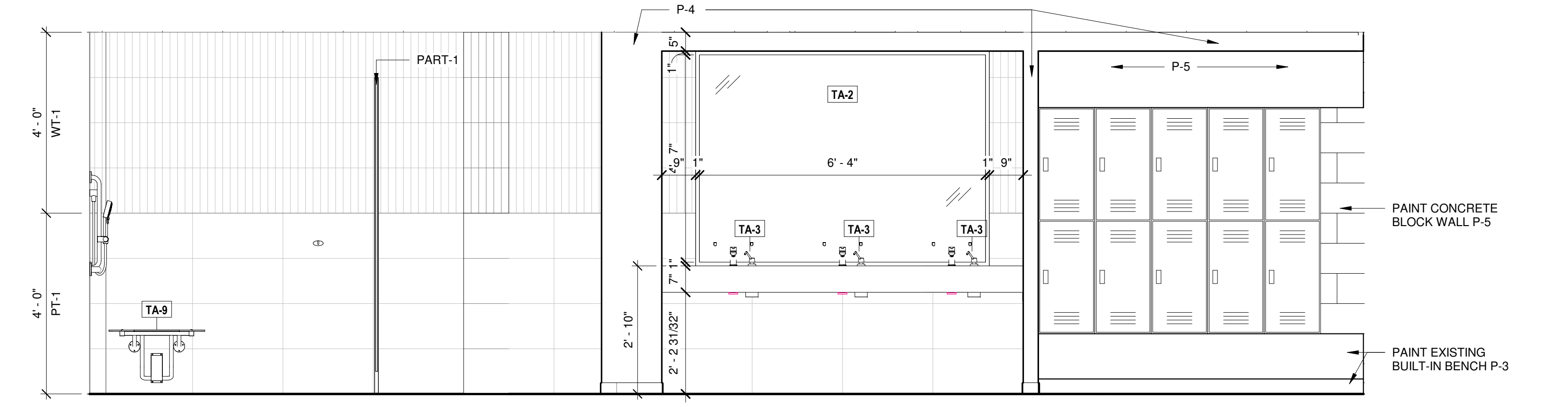
| NO. | DESCRIPTION | DATE |
|-----|-------------|------|
| | | |
| | | |
| | | |



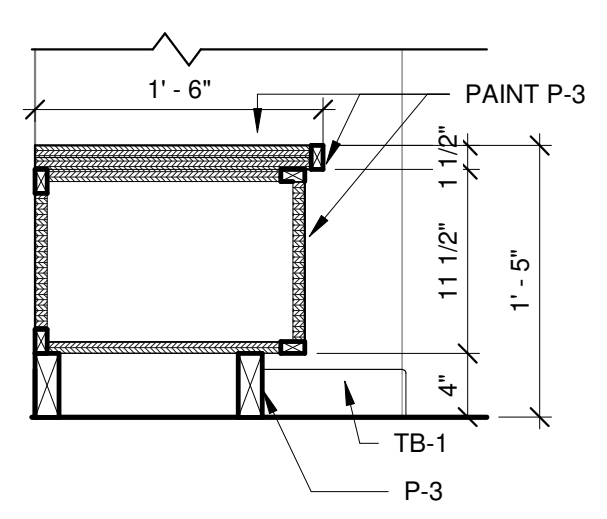
8 WOMENS DRESSING ROOM 203 - NORTH
 1/2" = 1'-0"



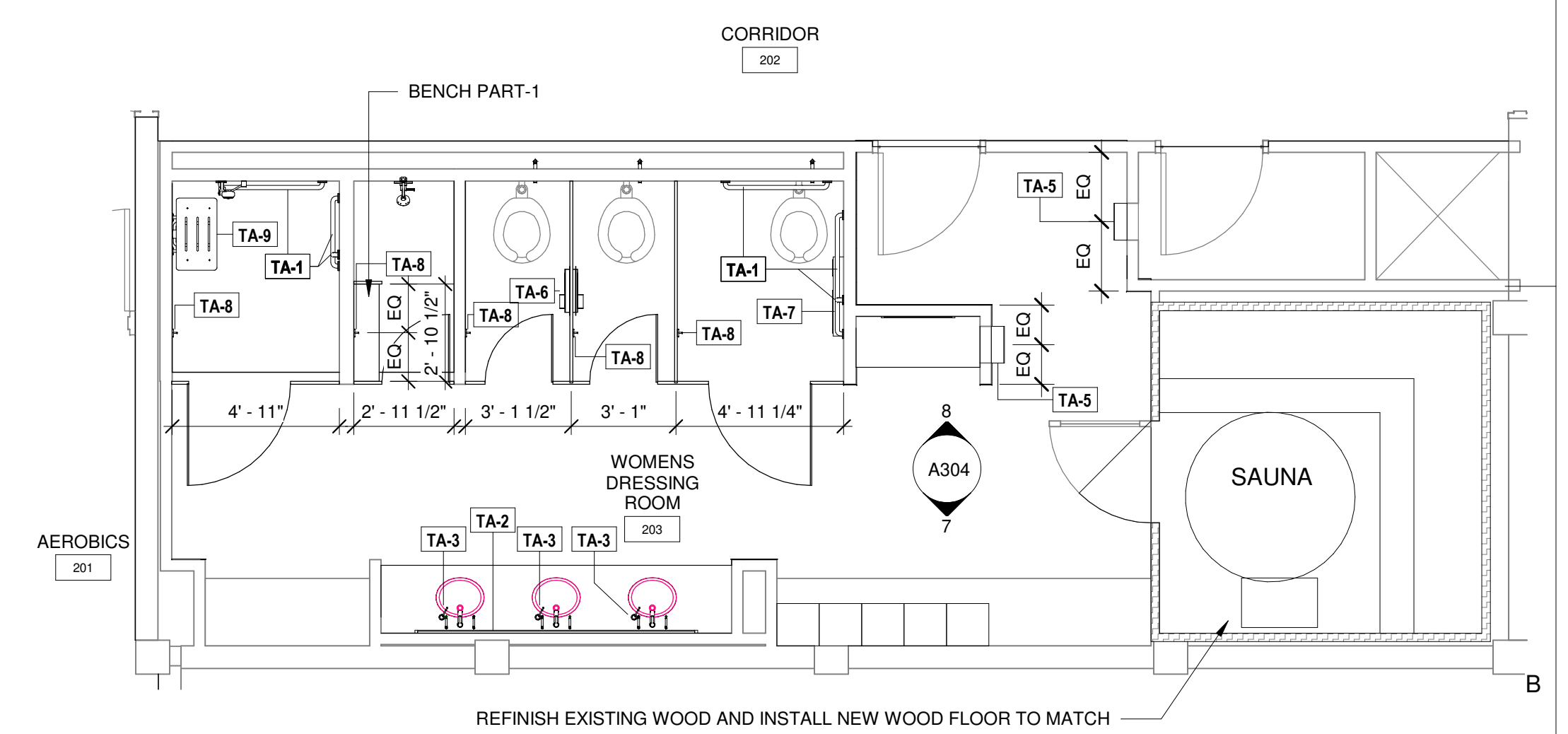
7 WOMENS DRESSING ROOM 207 - SOUTH
 1/2" = 1'-0"



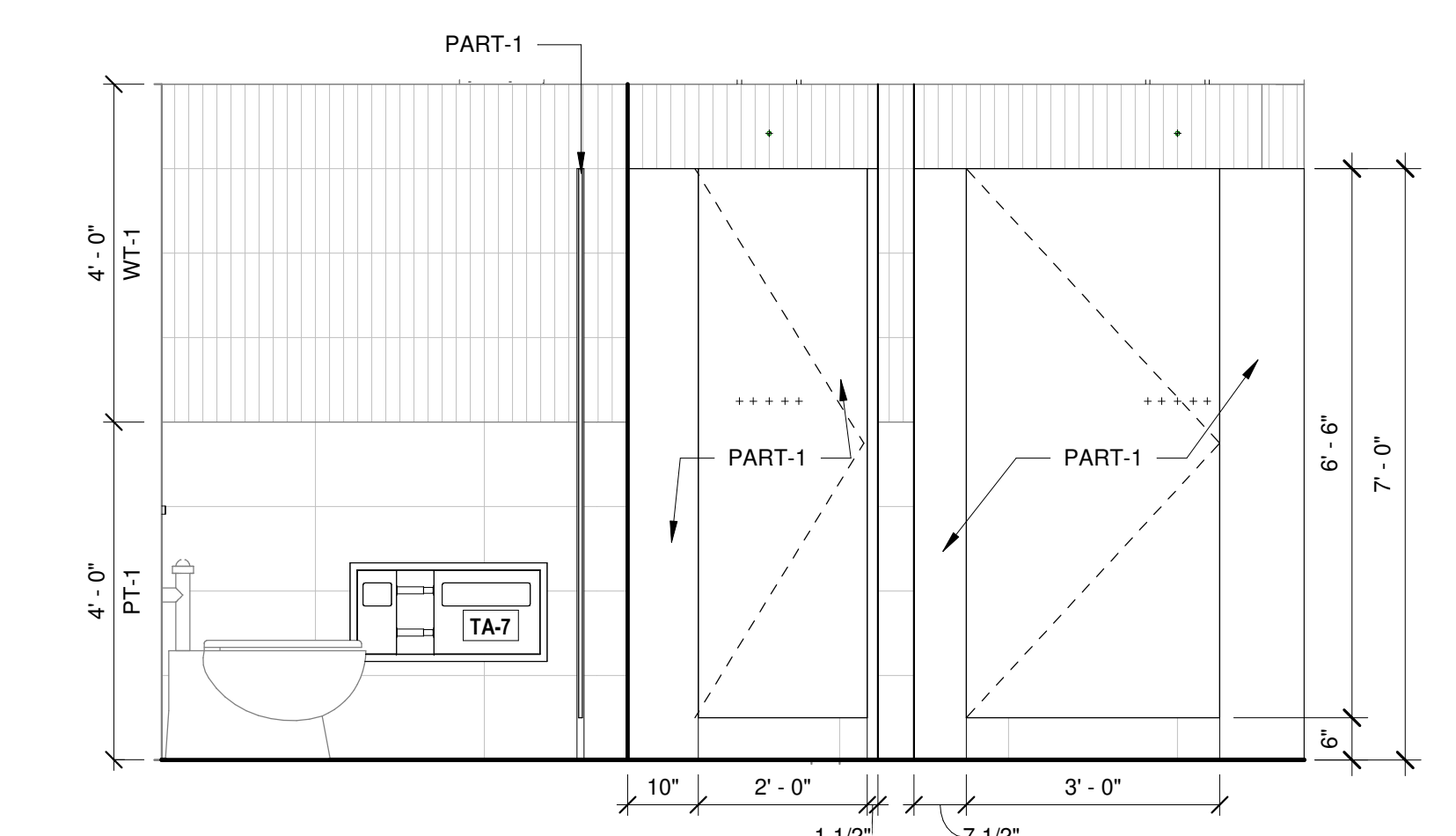
6 MENS DRESSING ROOM 208 - SOUTH
 1/2" = 1'-0"



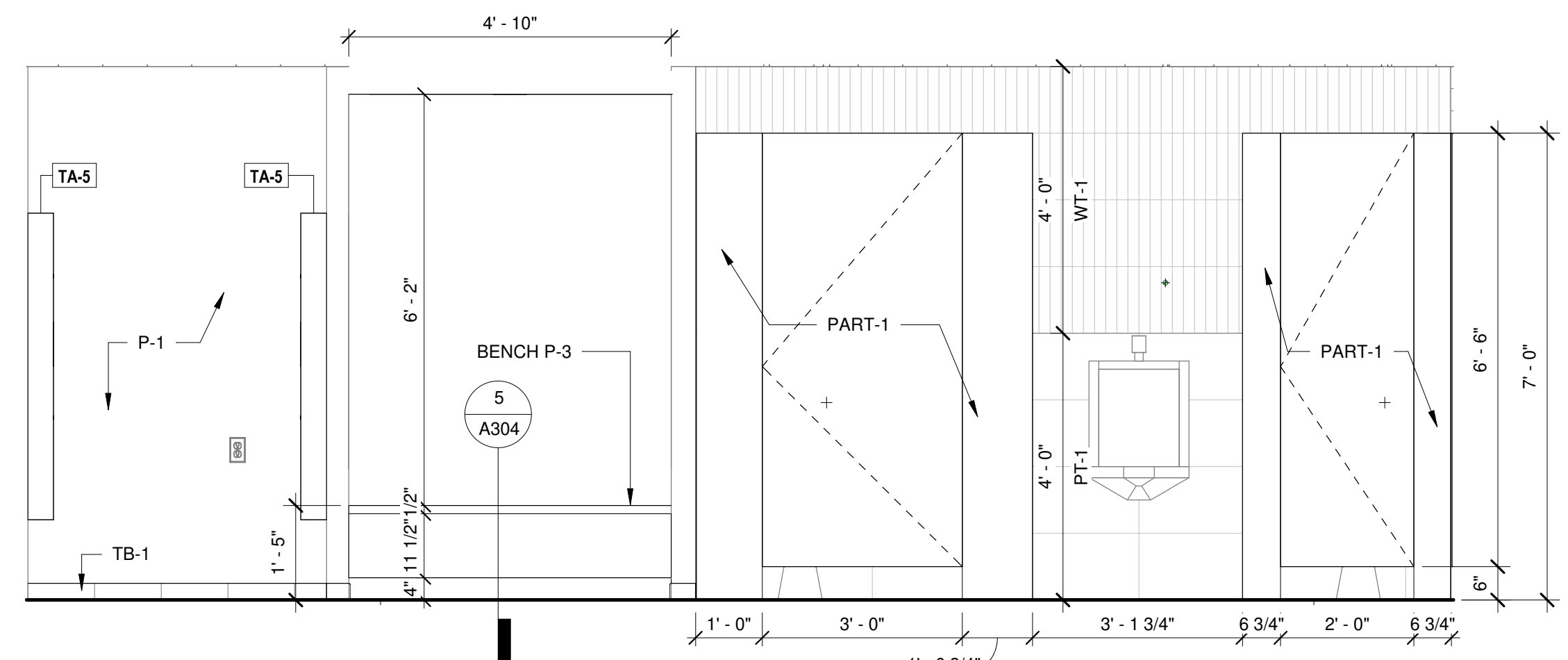
5 MENS DRESSING ROOM 208 BENCH
 1" = 1'-0"



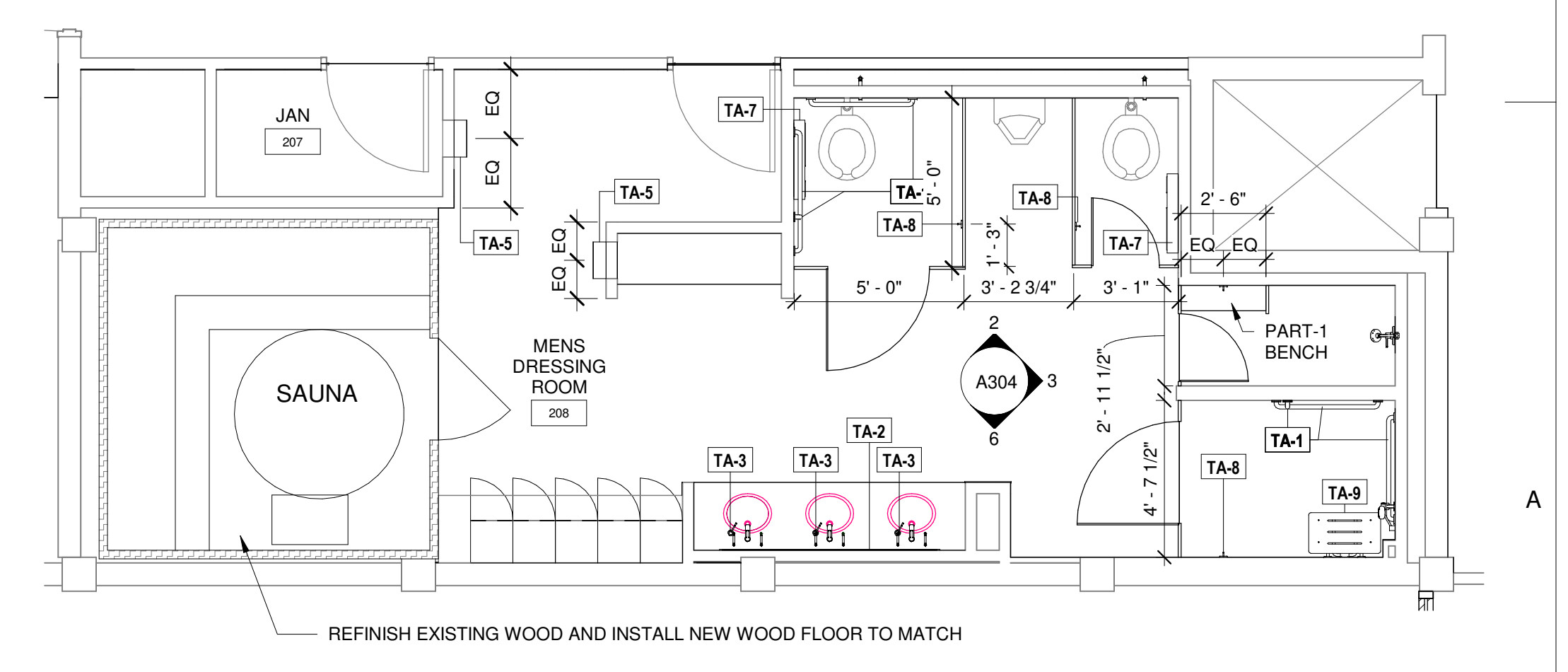
4 ENLARGED TOILET PLAN - WOMENS DRESSING ROOM 203
 1/4" = 1'-0"



3 MENS DRESSING ROOM 208 - EAST
 1/2" = 1'-0"



2 MENS DRESSING ROOM 208 - NORTH
 1/2" = 1'-0"



1 ENLARGED PLAN - MENS DRESSING ROOM 208
 1/4" = 1'-0"

ENLARGED TOILET PLANS AND ELEVATIONS

SHEET NAME _____
 DATE 05/05/2024

PROJECT NUMBER 161423

A304

SHEET NUMBER _____