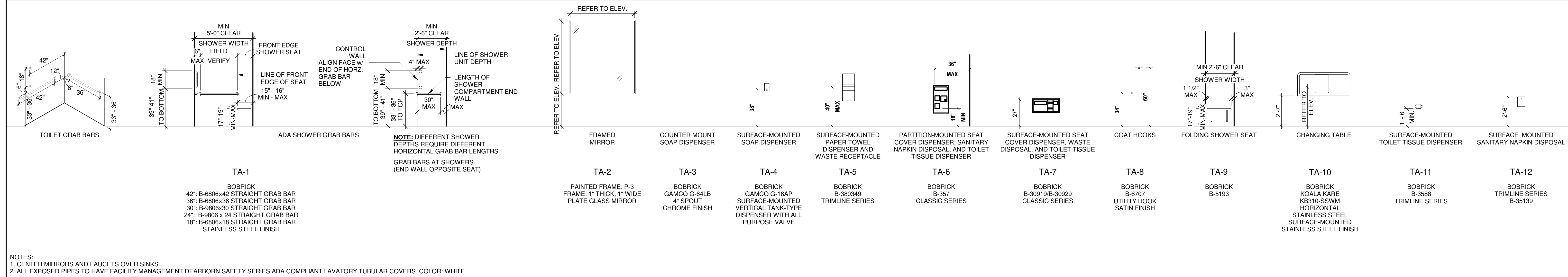
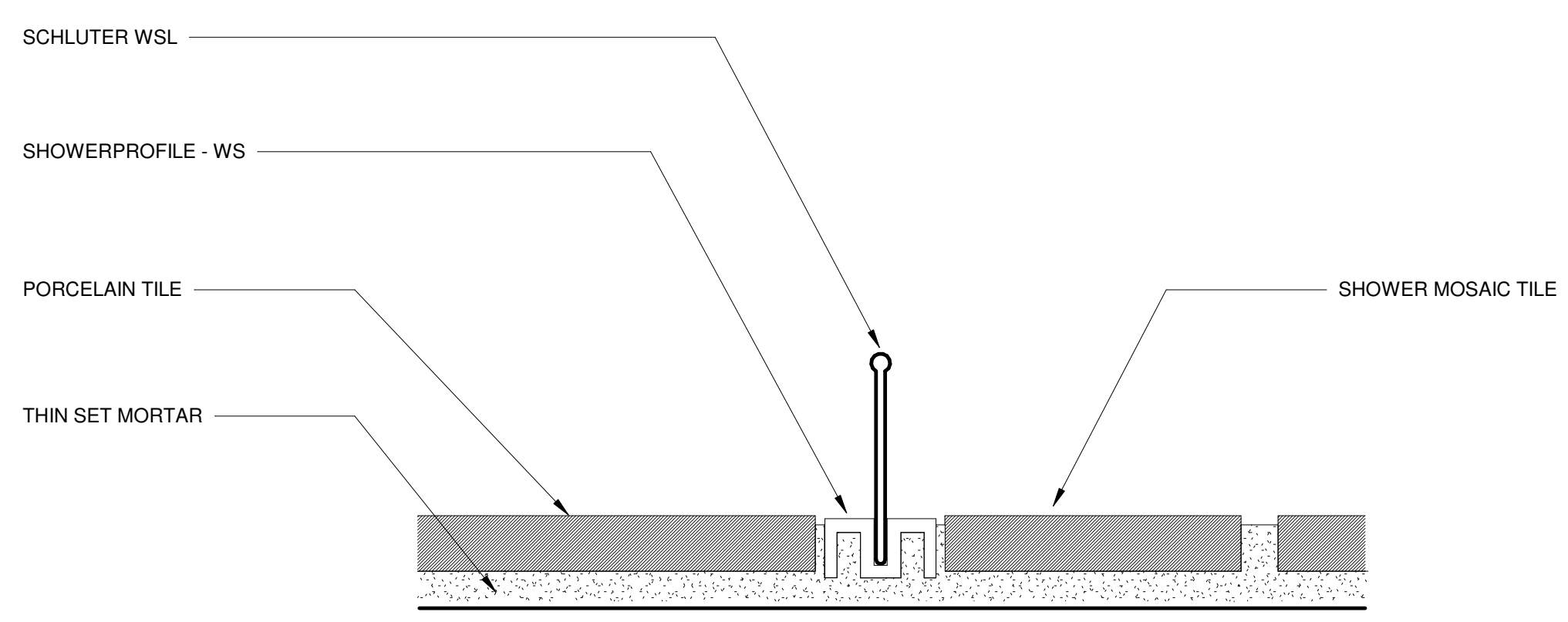


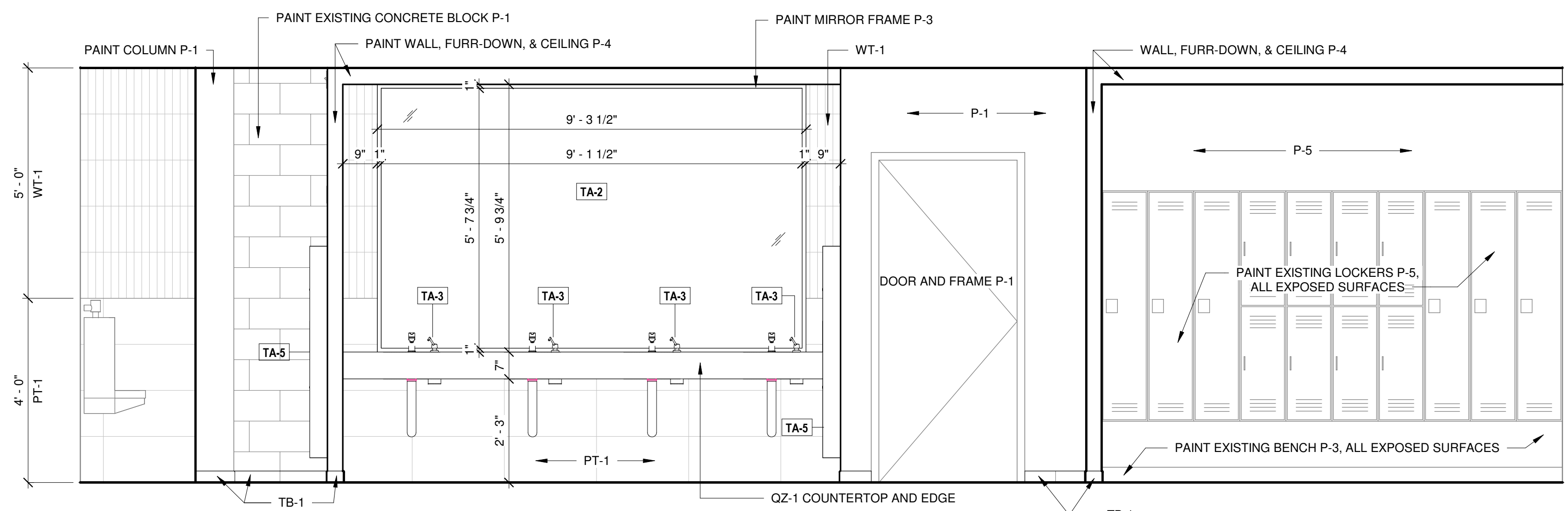
TOILET ACCESSORY TYPES AND MOUNTING HEIGHTS



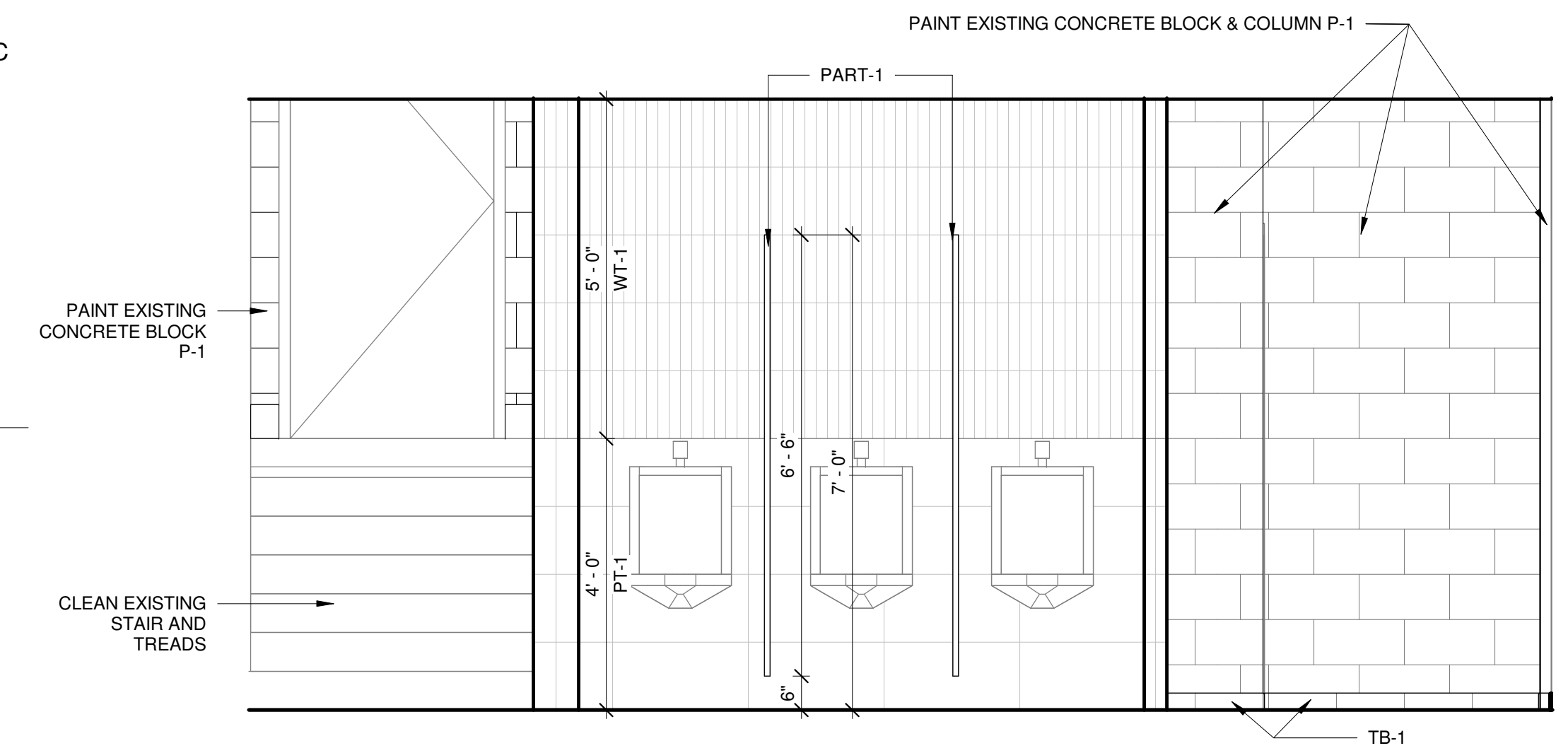
NOTES:
 1. CENTER MIRRORS AND FAUCETS OVER SINKS.
 2. ALL EXPOSED PIPES TO HAVE FACILITY MANAGEMENT DEARBORN SAFETY SERIES ADA COMPLIANT LAVATORY TUBULAR COVERS. COLOR: WHITE



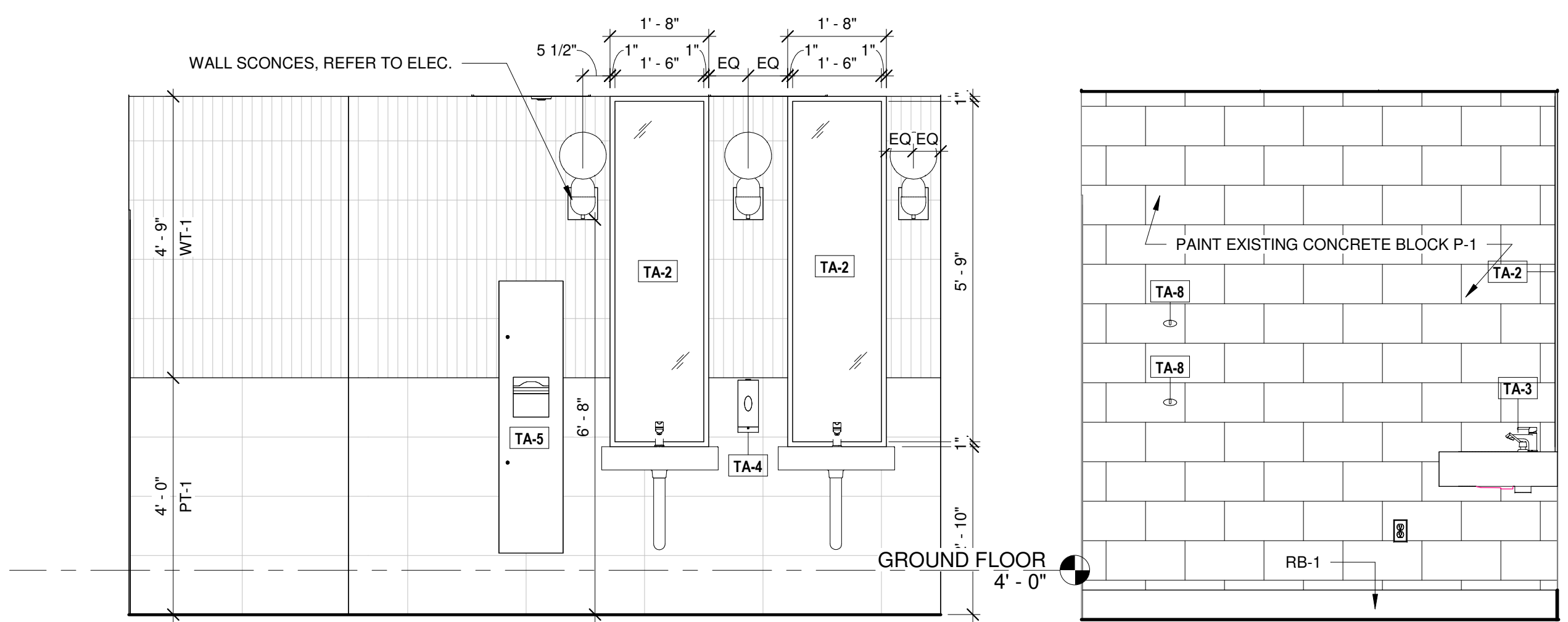
9 SHOWER DETAIL
1/2" = 1'-0"



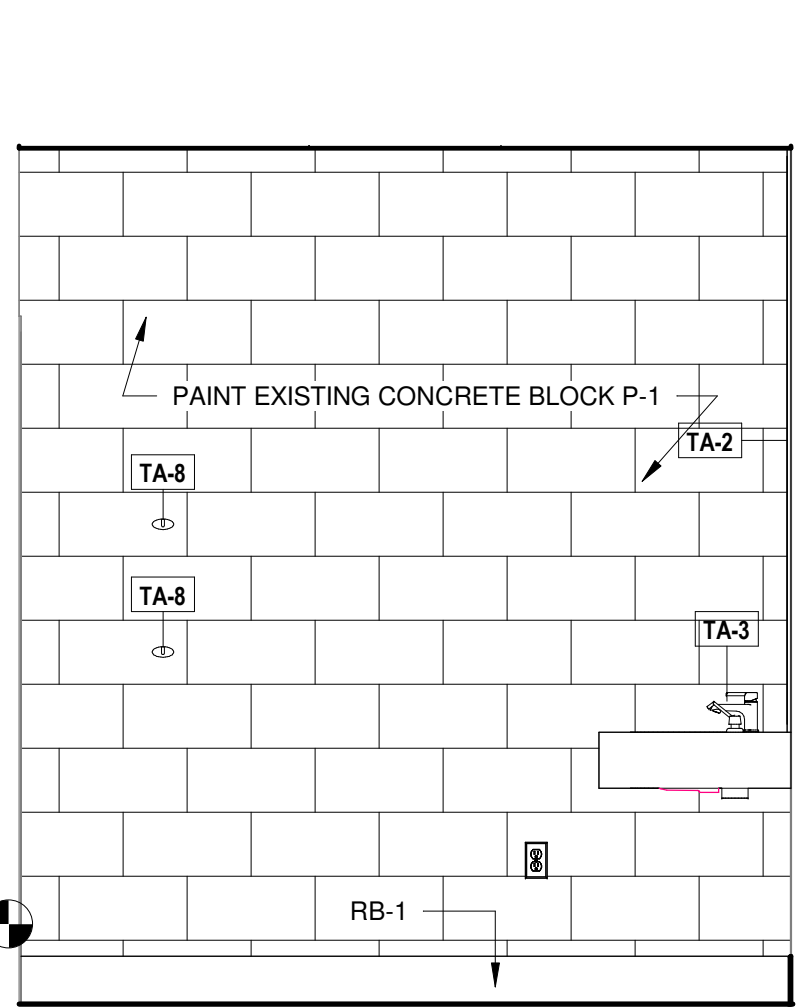
8 MENS LOCKER ROOM G19 - SOUTH
1/2" = 1'-0"



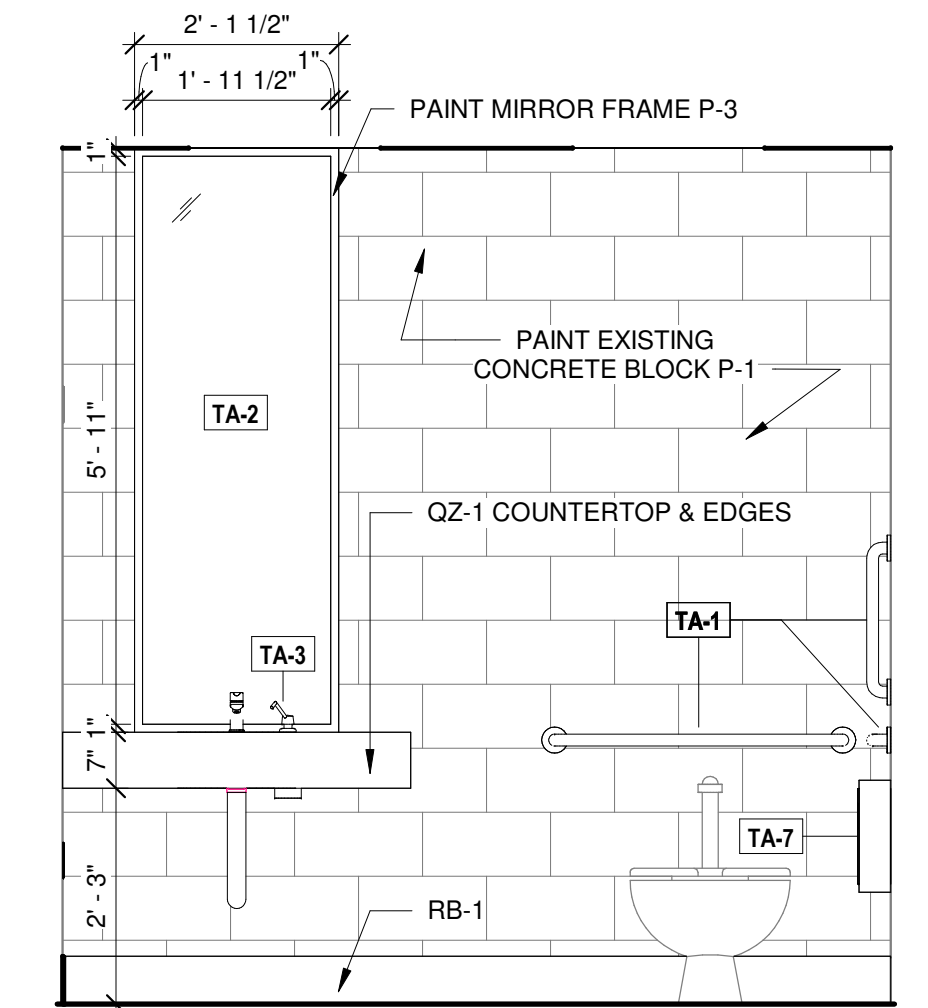
7 MENS LOCKER ROOM G19 - EAST
1/2" = 1'-0"



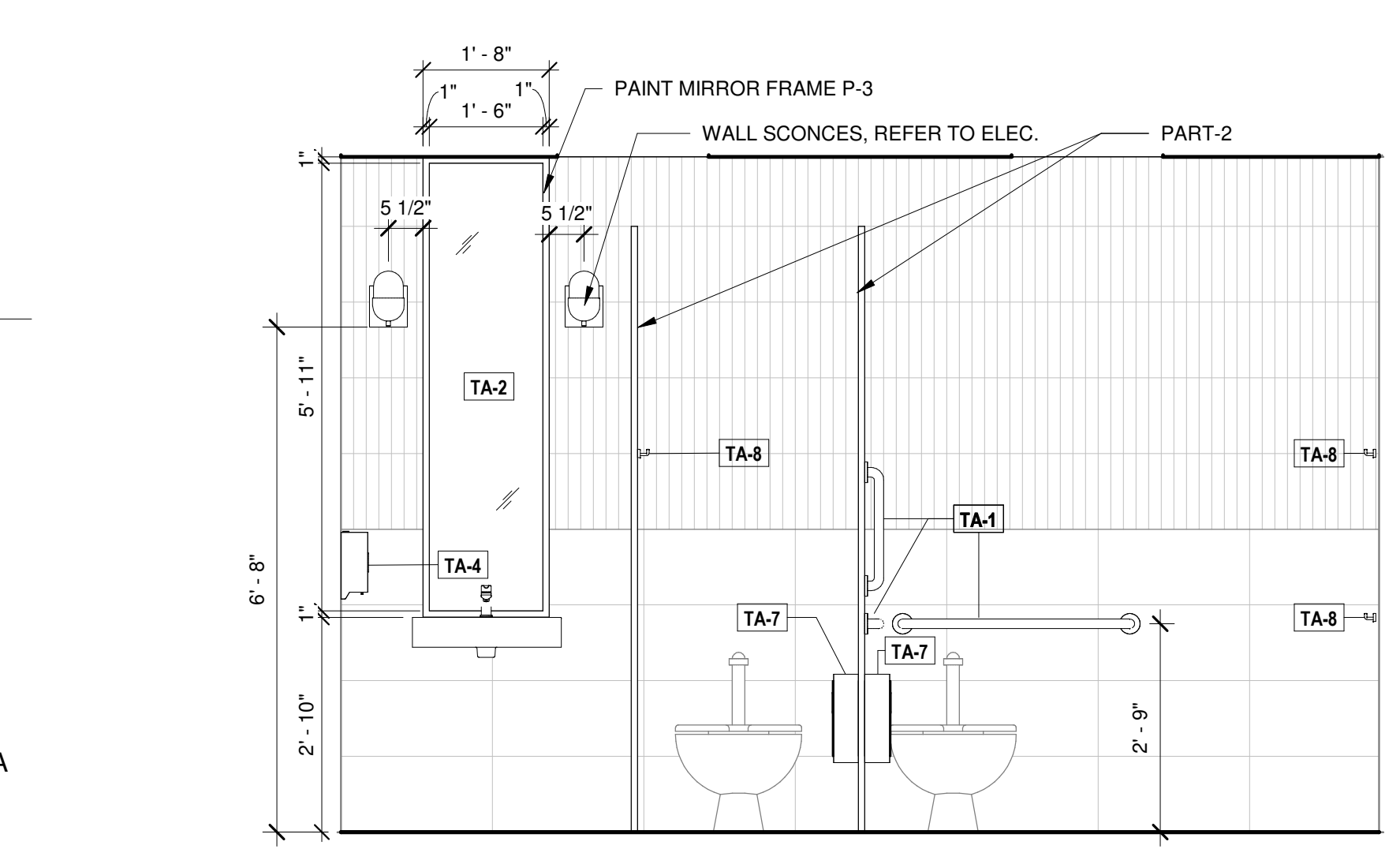
6 MEN 113 - NORTH
1/2" = 1'-0"



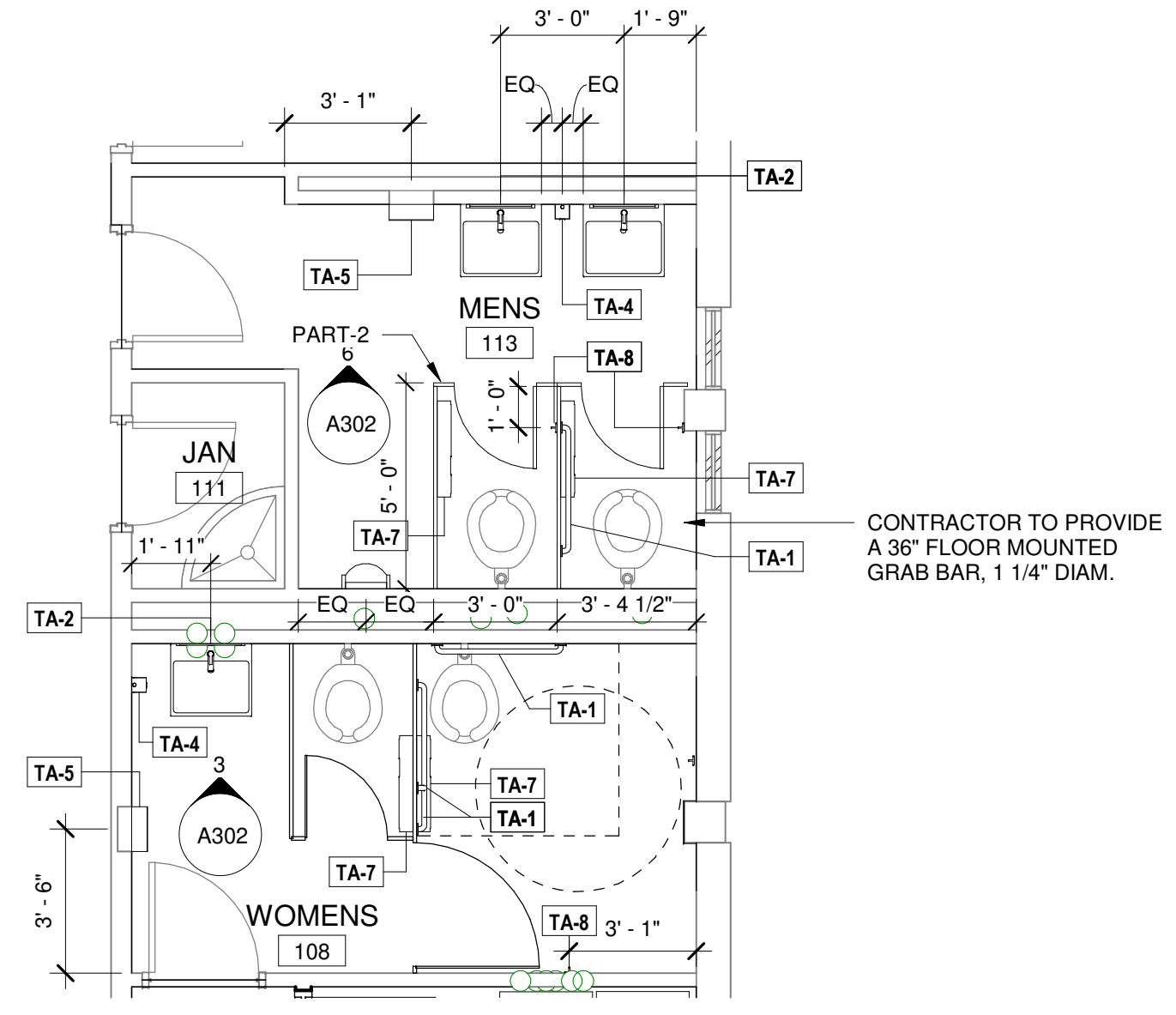
5 TLT G07 - EAST
1/2" = 1'-0"



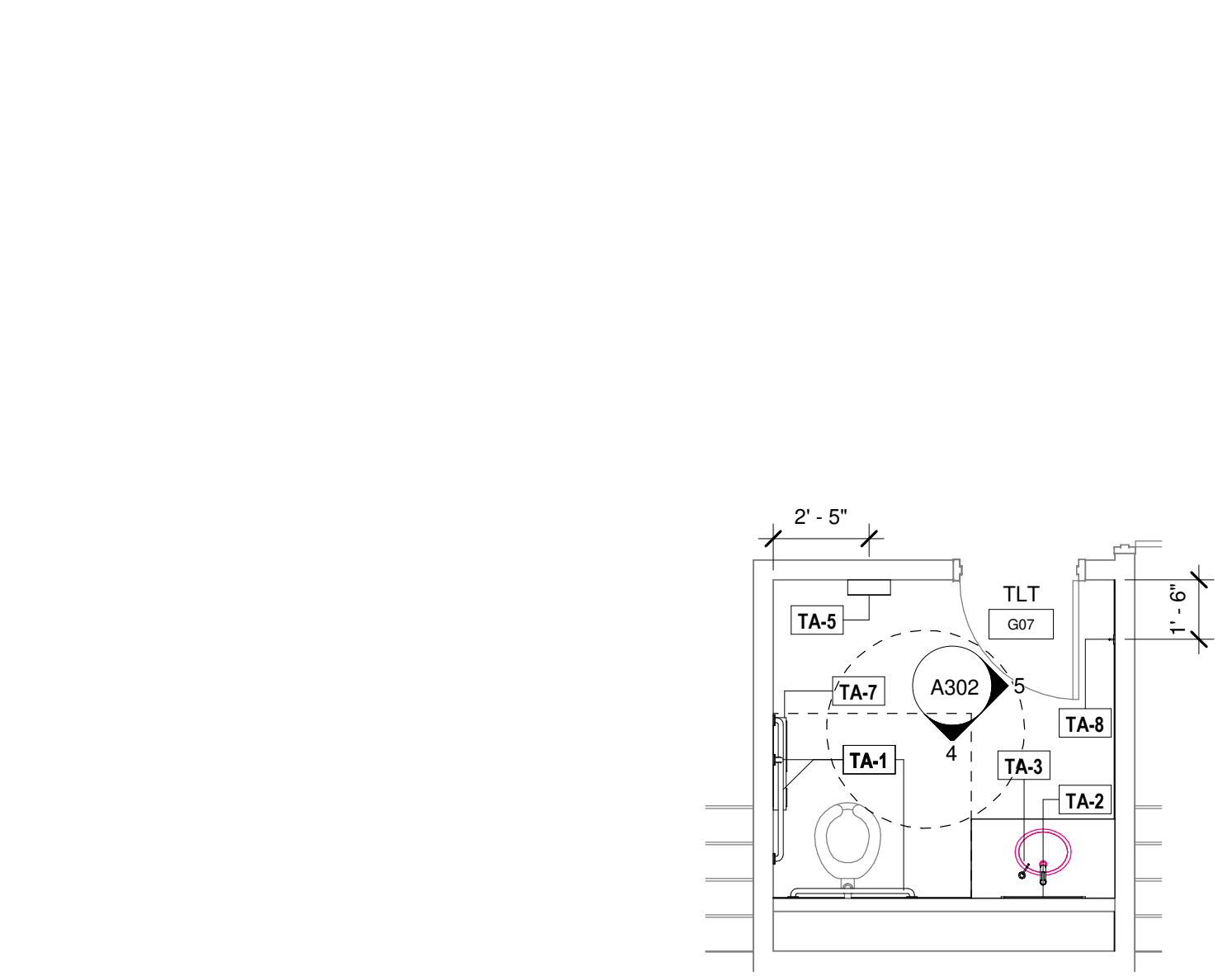
4 TLT G07 - SOUTH
1/2" = 1'-0"



3 WOMEN 108 - NORTH
1/2" = 1'-0"



2 ENLARGED TOILET PLAN - WOMENS 108 & MENS 113
1/4" = 1'-0"



1 ENLARGED TOILET PLAN - DRESSING ROOM G06 & TLT G07
1/4" = 1'-0"



600 Main Street, Suite 300
 North Little Rock, AR 72114
 Phone: 501-758-7443
 Fax: 501-753-7309
 www.taggarch.com



NORTH LITTLE ROCK

NORTH LITTLE ROCK
 COMMUNITY
 CENTER
 RENOVATIONS

PROJECT NAME



SEAL

REVISIONS

NO.	DESCRIPTION	DATE

ENLARGED TOILET
 PLANS AND ELEVATIONS

SHEET NAME
 DATE 05/05/2024

PROJECT NUMBER 161423

A302

SHEET NUMBER