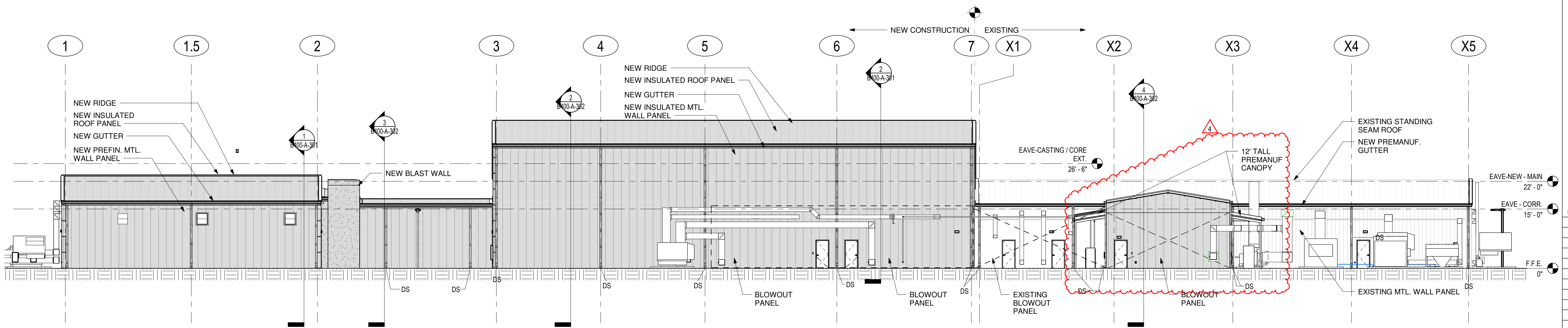
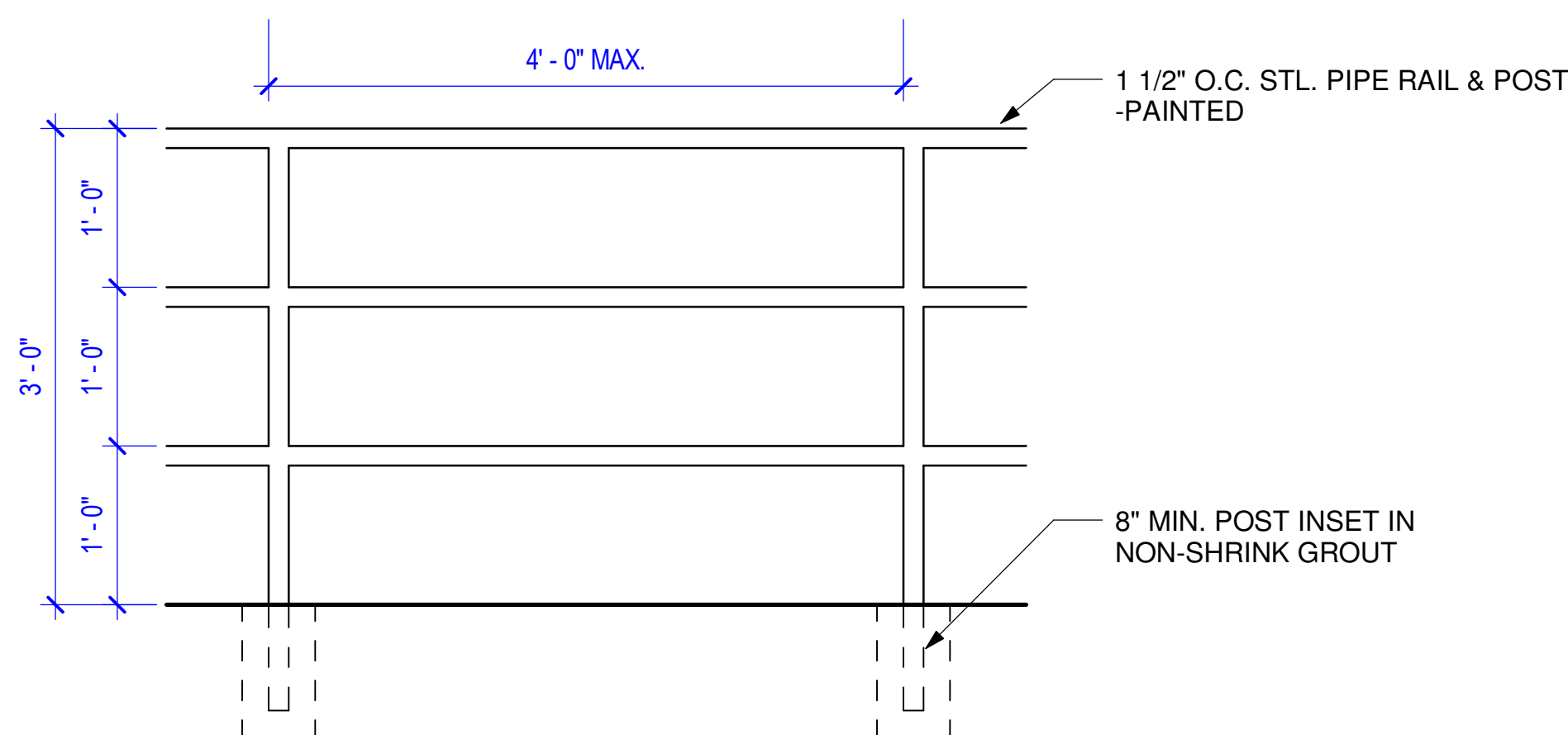


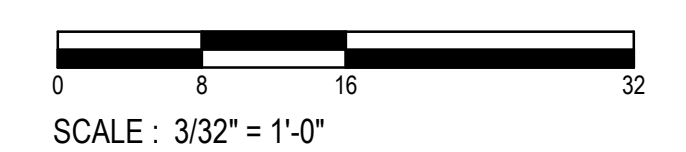
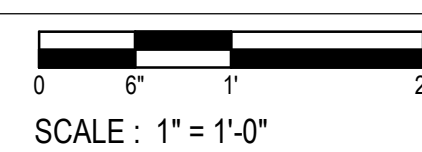
1 EXTERIOR ELEVATION - NORTH1
 3/32" = 1'-0"



2 EXTERIOR ELEVATION - SOUTH-1
 3/32" = 1'-0"



3 RAILING DETAIL
 1" = 1'-0"



Project
 Anduril Industries - McHenry, MS
 Rocket Motor Systems
 Additions and Renovations to Buildings 300, 301,
 302, 400, and 600 - McHenry, Mississippi

Design Phase
CONSTRUCTION DOCUMENTS

Revisions

No.	Date	Description
1	02-08-2024	RB 002
2	03-18-2024	RB 003
3	07-25-2024	RB 007
4	11-21-2024	RB 013



Notes

1. CROMWELL ARCHITECTS ENGINEERS, INC. ALL RIGHTS RESERVED
2. THIS SHEET DESIGNED FOR COLOR PRINTING. CRITICAL INFORMATION MAY BE LOST WITH BLACK AND WHITE PRINTING.

Project Number 2023-047
 Issue Date 10-26-2023
 Sheet Title

EXTERIOR ELEVATIONS

Sheet Number
B400-A-201