

Quality People. Building Solutions.

Comfort Systems USA (Arkansas), Inc.
P.O. Box 16620
Little Rock, AR 72231
Phone 501-834-3320
Fax 501-834-5416

Date: 11/9/2023

Return Request: 11/19/2023

Project: UCA Snow – Fine Arts Center

Supplier: Custom Metals

Manufacturer: Price

Submittal: Air Inlets & Outlets

Submittal Number: 23 37 00-01

Drawing # and Installation: Mechanical Drawings

ARCHITECT

H+N Architects
1009 Main Street
Conway, AR 72032
501-327-7525

ENGINEER

Pettit & Pettit
201 E. Markham St. #400
Little Rock, AR 72201
501-374-3731

GENERAL CONTRACTOR

Wagner General Contractors
600 W. Race Ave.
Searcy, AR 72143
501-203-0704

MECHANICAL SUBCONTRACTOR

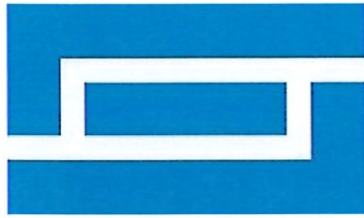
Comfort Systems USA (Arkansas), Inc.
9924 Landers Rd.
N. Little Rock, AR 72117
501-834-3320

Notes:

CSUSA PROJECT NO.

23-2020

chowell@comfortar.com



CUSTOM METALS

A DIVISION OF LEXICON, INC.
P.O. Box 16390, Little Rock, AR 72231
Telephone (501) 490-4400 Fax (501) 490-4422
www.lexicon-inc.com

Job: **UCA Snow Fine Arts Renovation**

Spec Section: **23 37 00 Air Inlets & Outlets**

Item: **Grilles, Registers, & Diffusers**

Submitted by:

Joe Minton Jr.

HVAC Project Manager

(501) 607-0043

10-30-2023



Grilles/Registers/Diffusers Submittals

Job Name: UCA Snow Fine Arts

Job Location: Conway, AR

Date Printed: 10/27/2023

Spec Section: 15 - HVAC

Contact: 7631 Northshore Place
N. Little Rock, AR 72118



All-In-One
Detailed Submittal Schedule
Grilles/Registers/Diffusers

Tag	CD-1			
#	42	43	44	45
Qty	42	6	31	2
Model	PDMC	SR	SR	SR
Unit Sz.	18x18	6	8	10
Inlet Sz.	18x18			
Border	3			
Pattern				
Face Sz.	24x24	18, 18	18, 18	18, 18
Damper	VCS3			
Accessories	F-ST, PL-ST, A			

Tag			CD-2	
#	46	47	48	49
Qty	1	2	36	36
Model	SR	SR	PDMC	SR
Unit Sz.	12	18	6x6	6
Inlet Sz.			6x6	
Border			3	
Pattern				
Face Sz.	18, 18	18, 18	12x12	6, 6
Damper			VCS3	
Accessories			F-ST, PL-ST, B	

Tag	CD-3	CD-3 Plenum	CR-1	CR-2
#	50	51	52	53
Qty	4	4	39	34
Model	SDS100	SDBH100	PDDR	PDDR
Unit Sz.	60.000, 3	60, 3		
Inlet Sz.		10	22x22	10x10
Border	2	2	3	3
Pattern			SQ	SQ
Face Sz.		10	22x22, 24x24	10x10, 12x12
Damper			VCS3	VCS3
Accessories	ZZ	CMBI	F-ST, PL-ST, C	F-ST, PL-ST, C

Tag	CR-3	ER-1	SG-1	SG-1
#	54	55	56	57
Qty	8	6	1	5
Model	PDDR	PDDR	520D	520D
Unit Sz.			6.000, 4.000	6.000, 6.000
Inlet Sz.	46x22	10x10		
Border	3	3	F	F
Pattern	SQ	SQ	L	L
Face Sz.	46x22, 48x24	10x10, 12x12		
Damper	VCS3	VCS3		
Accessories	F-ST, PL-ST, C	F-ST, PL-ST, C	SW	SW

Tag	SG-1	SG-1	SG-1	SG-1
#	58	59	60	61
Qty	2	2	1	2
Model	520D	520D	520D	520D
Unit Sz.	8.000, 6.000	10.000, 10.000	12.000, 6.000	12.000, 10.000
Inlet Sz.				
Border	F	F	F	F
Pattern	L	L	L	L
Face Sz.				
Damper				
Accessories	SW	SW	SW	SW

Tag	SG-1	SG-1	SG-1	SG-1
#	62	63	64	65
Qty	19	2	4	1
Model	520D	520D	520D	520D
Unit Sz.	12.000, 12.000	14.000, 12.000	16.000, 8.000	18.000, 12.000
Inlet Sz.				
Border	F	F	F	F
Pattern	L	L	L	L
Face Sz.				
Damper				
Accessories	SW	SW	SW	SW

Tag	SG-1	SG-1	SG-1	SG-1
#	66	67	68	69
Qty	4	4	4	1
Model	520D	520D	520D	520D
Unit Sz.	20.000, 12.000	24.000, 14.000	24.000, 16.000	28.000, 12.000
Inlet Sz.				
Border	F	F	F	F
Pattern	L	L	L	L
Face Sz.				
Damper				
Accessories	SW	SW	SW	SW

Tag	SG-1	SG-1	SR-1	SR-1
#	70	71	72	73
Qty	1	1	2	2
Model	520D	520D	530D	530D
Unit Sz.	30.000, 12.000	48.000, 12.000	6.000, 6.000	8.000, 6.000
Inlet Sz.				
Border	F	F	F	F
Pattern	L	L	L	L
Face Sz.				
Damper				
Accessories	SW	SW	SW	SW

Tag	SR-1	SR-1	SR-1	SR-1
#	74	75	76	77
Qty	8	1	2	2
Model	530D	530D	530D	530D
Unit Sz.	8.000, 8.000	16.000, 14.000	18.000, 8.000	18.000, 14.000
Inlet Sz.				
Border	F	F	F	F
Pattern	L	L	L	L
Face Sz.				
Damper				
Accessories	SW	SW	SW	SW

Tag	SR-1	SR-1	SR-1
#	78	79	80
Qty	1	1	1
Model	530D	530D	530D
Unit Sz.	22.000, 12.000	24.000, 12.000	24.000, 14.000
Inlet Sz.			
Border	F	F	F
Pattern	L	L	L
Face Sz.			
Damper			
Accessories	SW	SW	SW



Performance Notes

Date Printed: 10/27/2023

1. Tested in accordance with ASHRAE Standard 70-2006 "Method of Testing for Rating the Performance of Air Outlets and Inlets".
2. Throw data is based on the temperature differential (Dt), in degrees Fahrenheit (°F), between supply air temperature and room temperature.
3. Throw values, in feet (ft), are provided at terminal air velocities of 150 fpm, 100 fpm, and 50 fpm for supply applications.
4. The NC, sound pressure level, is based on a room absorption of 10dB re 10⁻¹² Watts in each octave band.
5. Blanks (--) indicate an NC level below 15.
6. Air flow is in cubic feet per minute (cfm).
7. Static pressure (Ps), velocity pressure (Pv), and total pressure (Pt) are in inches of water (in. w.g.).

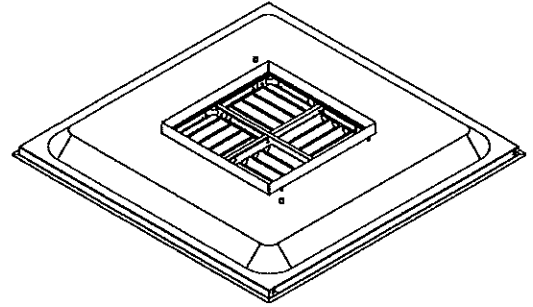
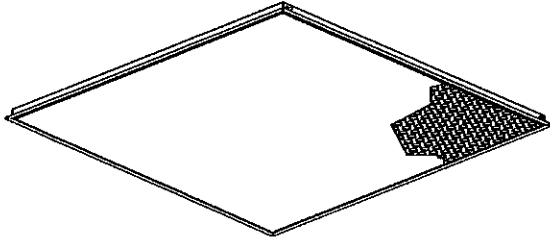
PDMC: Perforated Diffuser with Rotatable Modular Core

Module Size: 24"x24"

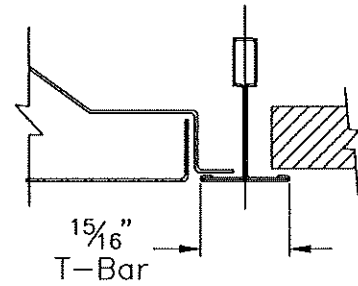
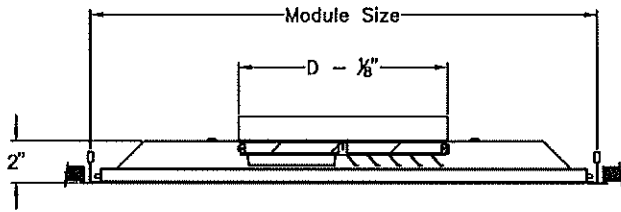
Inlet Size: 18"x18"

Inlet Type: SQ - Square Inlet

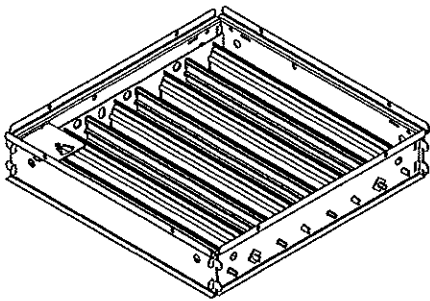
Backpan Style: A - Stamped Backpan



Face Style: 3 - 15/16" T-Bar Lay-In



Damper: VCS3 Coated Steel Opposed Blade Damper



PROJECT: UCA Snow Fine Arts
ENGINEER:
DESCRIPTION: Perforated Diffuser with Rotatable Modular Core
PDMC-1-1///IN/SQ/18x18//24x24/3/4W/F-ST/PL-ST/A/VCS3///B12

SUBMITTAL NO: 274199-0
CUSTOMER:

SUBMITTAL DATE: 10/27/2023

Construction:

- Perforated face - 3/16" holes, 51% free area
- F-ST - Steel face
- Steel backpan and outer frame
- Aluminum pattern deflectors
- Steel spring latches

Notes:

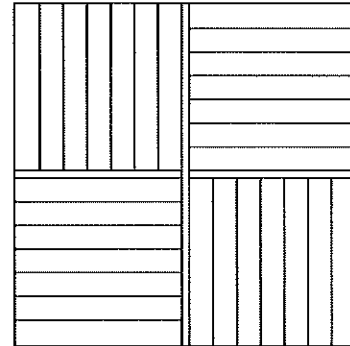
- Face panel is removable
- Cores are factory set for 4-way pattern and can be field adjusted for other patterns
- Integral hanger loops
- Dampers ship loose
- Factory tolerance +/- 1/32"

Damper:

- VCS3 - Opposed blade damper
- Coated steel construction

Finish:

- B12 - Standard White



Scan for link to additional product information

PROJECT: UCA Snow Fine Arts

SUBMITTAL NO: 274199-0

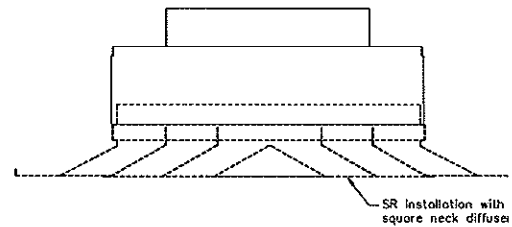
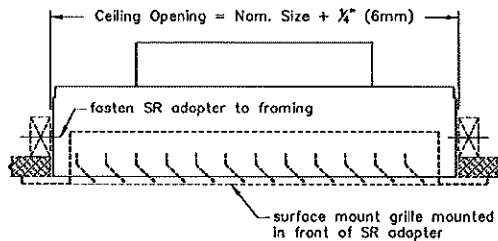
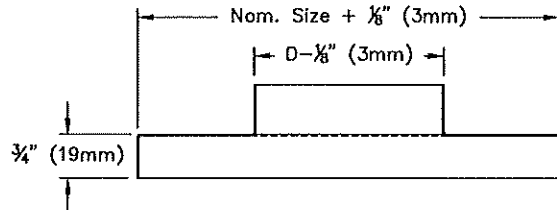
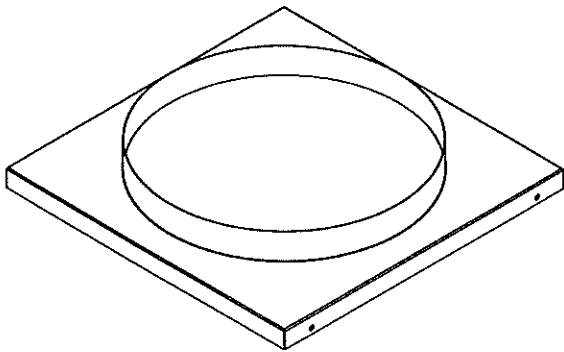
SUBMITTAL DATE: 10/27/2023

ENGINEER:

CUSTOMER:

DESCRIPTION: Perforated Diffuser with Rotatable Modular Core
PDMC-1-1///IN/SQ/18x18//24x24/3/4W/F-ST/PL-ST/A/VCS3///B12

SR Square To Round Adapter



Notes:

- Fits square neck diffusers including SMD, SMDA, SMX, SMCD, AMD, AMDA, AMX, AMDE and AMCD
- May be installed with grilles in drywall ceiling by fastening to ceiling and framing and installing grille in front
- Factory tolerance $\pm 1/32$ "

Construction:

- Standard inlet neck

Material:

- Coated Steel

Finish:

- B17 - Black interior surfaces



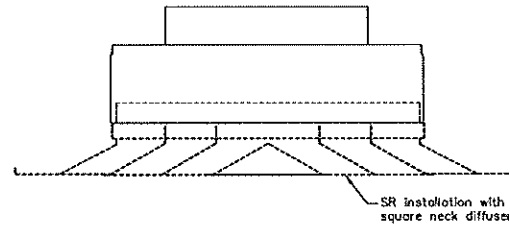
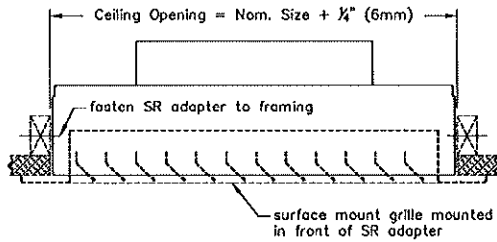
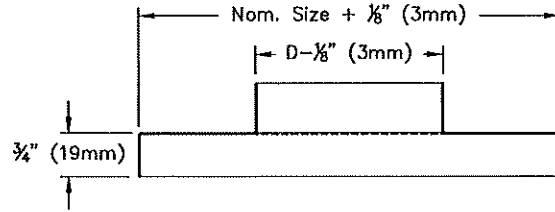
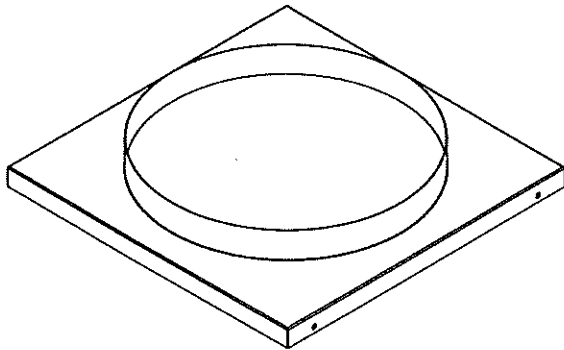
Scan for link to additional product information

PROJECT: UCA Snow Fine Arts
ENGINEER:
DESCRIPTION: Square To Round Adapter
 SR-1-1//IN/18,6/18,6/6//SHORT/STL/B17

SUBMITTAL NO: 275210-0
CUSTOMER:

SUBMITTAL DATE: 10/27/2023

SR Square To Round Adapter



Notes:

- Fits square neck diffusers including SMD, SMDA, SMX, SMCD, AMD, AMDA, AMX, AMDE and AMCD
- May be installed with grilles in drywall ceiling by fastening to ceiling and framing and installing grille in front
- Factory tolerance $\pm 1/32$ "

Construction:

- Standard inlet neck

Material:

- Coated Steel

Finish:

- B17 - Black interior surfaces



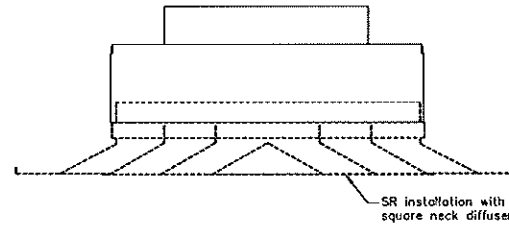
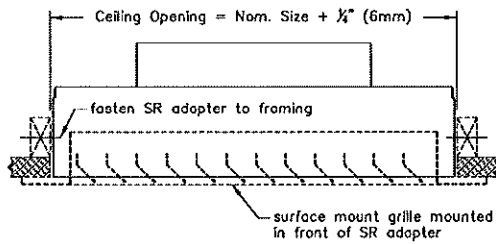
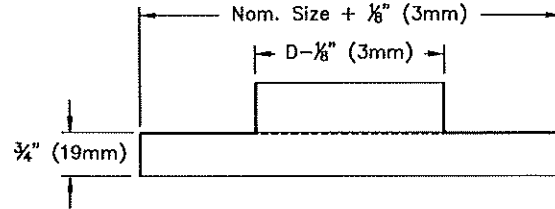
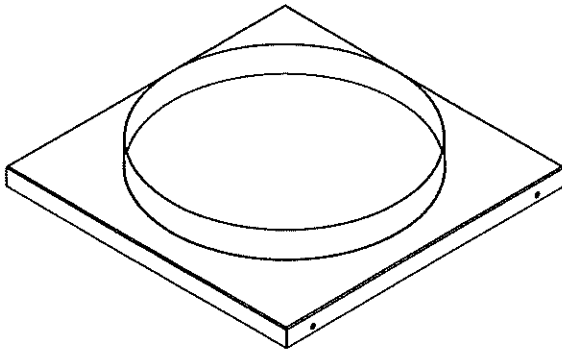
Scan for link to additional product information

PROJECT: UCA Snow Fine Arts
ENGINEER:
DESCRIPTION: Square To Round Adapter
 SR-1-1//IN/18/18/8//SHORT/STL/B17

SUBMITTAL NO: 275210-0
CUSTOMER:

SUBMITTAL DATE: 10/27/2023

SR Square To Round Adapter



Notes:

- Fits square neck diffusers including SMD, SMDA, SMX, SMCD, AMD, AMDA, AMX, AMDE and AMCD
- May be installed with grilles in drywall ceiling by fastening to ceiling and framing and installing grille in front
- Factory tolerance $\pm 1/32$ "

Construction:

- Standard inlet neck

Material:

- Coated Steel

Finish:

- B17 - Black interior surfaces



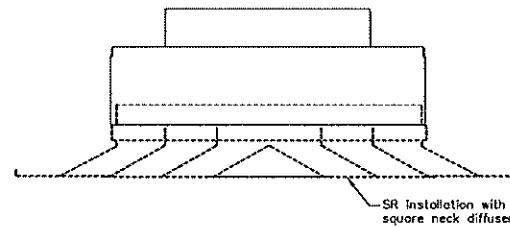
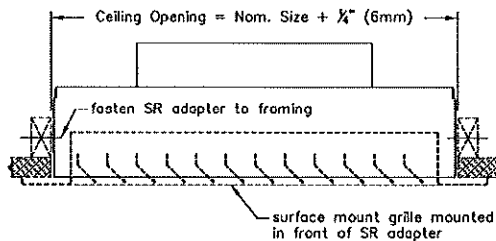
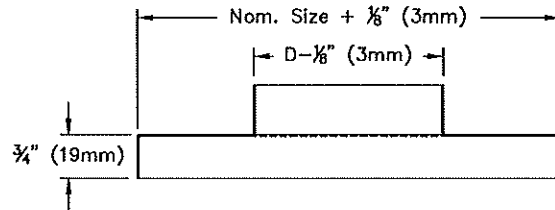
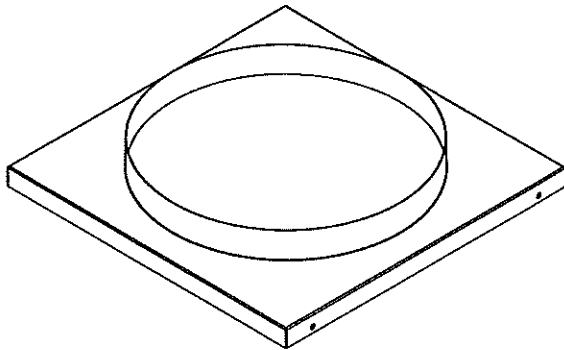
Scan for link to additional product information

PROJECT: UCA Snow Fine Arts
ENGINEER:
DESCRIPTION: Square To Round Adapter
 SR-1-1//IN/18/18/10//SHORT/STL/B17

SUBMITTAL NO: 275210-0
CUSTOMER:

SUBMITTAL DATE: 10/27/2023

SR Square To Round Adapter



Notes:

- Fits square neck diffusers including SMD, SMDA, SMX, SMCD, AMD, AMDA, AMX, AMDE and AMCD
- May be installed with grilles in drywall ceiling by fastening to ceiling and framing and installing grille in front
- Factory tolerance $\pm 1/32$ "

Construction:

- Standard inlet neck

Material:

- Coated Steel

Finish:

- B17 - Black interior surfaces



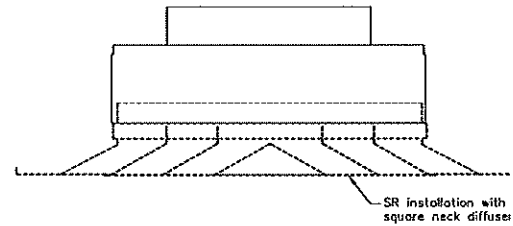
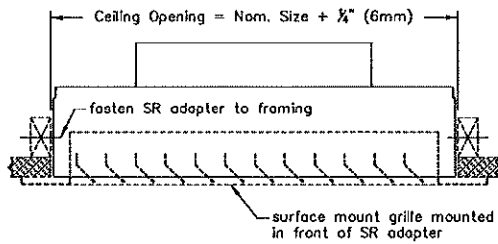
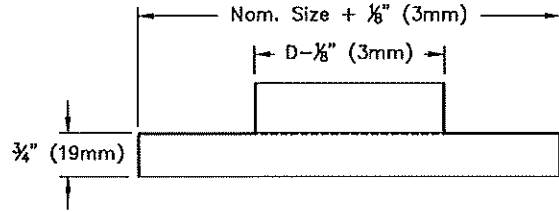
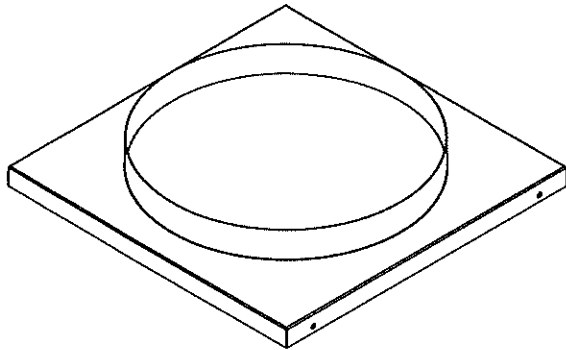
Scan for link to additional product information

PROJECT: UCA Snow Fine Arts
ENGINEER:
DESCRIPTION: Square To Round Adapter
 SR-1-1//IN/18/18/12//SHORT/STL/B17

SUBMITTAL NO: 275210-0
CUSTOMER:

SUBMITTAL DATE: 10/27/2023

SR Square To Round Adapter



Notes:

- Fits square neck diffusers including SMD, SMDA, SMX, SMCD, AMD, AMDA, AMX, AMDE and AMCD
- May be installed with grilles in drywall ceiling by fastening to ceiling and framing and installing grille in front
- Factory tolerance $\pm 1/32$ "

Construction:

- Standard inlet neck

Material:

- Coated Steel

Finish:

- B17 - Black interior surfaces



Scan for link to additional product information

PROJECT: UCA Snow Fine Arts
ENGINEER:
DESCRIPTION: Square To Round Adapter
 SR-1-1//IN/18/18/18//SHORT/STL/B17

SUBMITTAL NO: 275210-0
CUSTOMER:

SUBMITTAL DATE: 10/27/2023

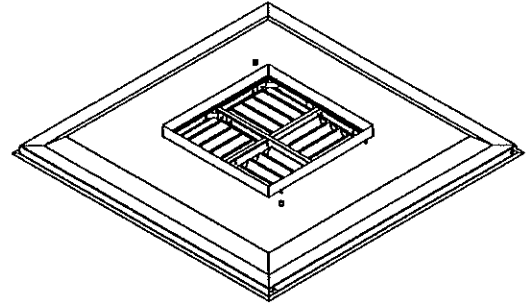
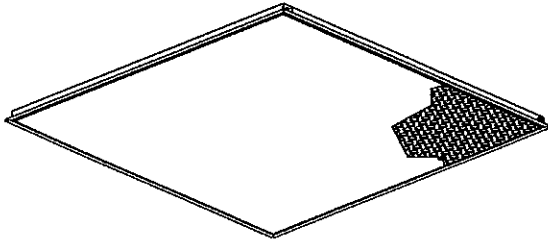
PDMC: Perforated Diffuser with Rotatable Modular Core

Module Size: 12"x12"

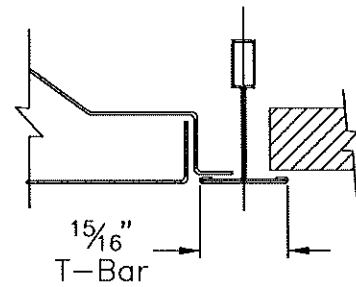
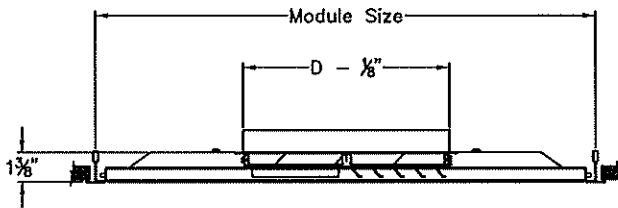
Inlet Size: 6"x6"

Inlet Type: SQ - Square Inlet

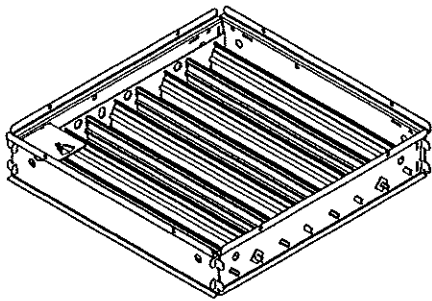
Backpan Style: B - Formed Backpan



Face Style: 3 - 15/16" T-Bar Lay-In



Damper: VCS3 Coated Steel Opposed Blade Damper



PROJECT: UCA Snow Fine Arts
ENGINEER:
DESCRIPTION: Perforated Diffuser with Rotatable Modular Core
PDMC-1-1//1IN/SQ/6x6//12x12/3/4W/F-ST/PL-ST/B//VCS3///B12

SUBMITTAL NO: 274199-0
CUSTOMER:

SUBMITTAL DATE: 10/27/2023

Construction:

- Perforated face - 3/16" holes, 51% free area
- F-ST - Steel face
- Steel backpan and outer frame
- Aluminum pattern deflectors
- Steel spring latches

Notes:

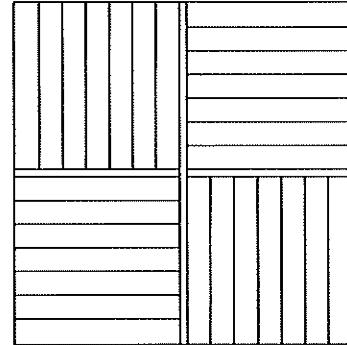
- Face panel is removable
- Cores are factory set for 4-way pattern and can be field adjusted for other patterns
- Integral hanger loops
- Dampers ship loose
- Factory tolerance +/- 1/32"

Damper:

- VCS3 - Opposed blade damper
- Coated steel construction

Finish:

- B12 - Standard White



Scan for link to additional product information

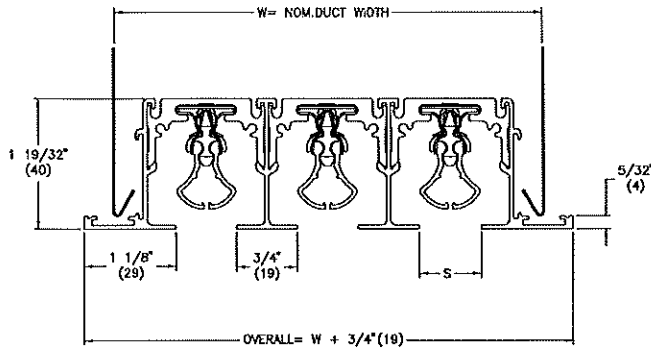
PROJECT: UCA Snow Fine Arts
ENGINEER:
DESCRIPTION: Perforated Diffuser with Rotatable Modular Core
PDMC-1-1//1//IN/SQ/6x6//12x12/3/4W/F-ST/PL-ST/B//VCS3//B12

SUBMITTAL NO: 274199-0
CUSTOMER:

SUBMITTAL DATE: 10/27/2023

SDS100 1" Slot Linear Supply

2 – Flange Frame, Concealed Mounting



Slot Quantity	W
3	6

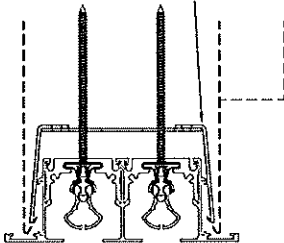
Face Overall Length = Nom. Length

Finish:

- B12: Standard White

Mounting:

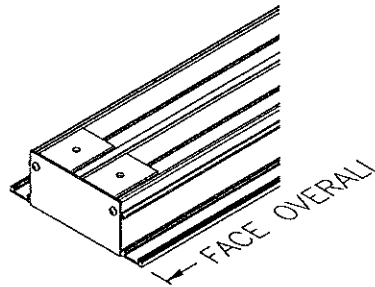
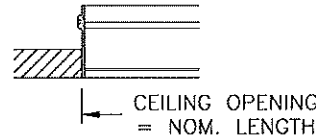
CONCEALED MOUNTING BRACKETS (INCLUDED)



End Conditions:

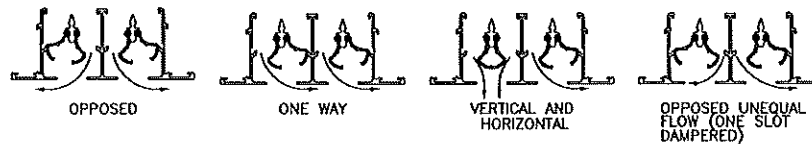
ZZ

Screw Mounted Flush End Cap



Notes:

- Extruded aluminum frame
- For use with Type 2 SDB/SDA series plenums, or with UP/UPL plenums
- Factory tolerance $\pm 1/32"$ (1)
- Rollformed steel or extruded aluminum pattern controllers, B17 Black
- 180° air pattern adjustment available
- Hemmed duct (by others)
- Screwheads extend 1/8" (3) beyond opening dimension on Z ends.
- See installation instruction II00042



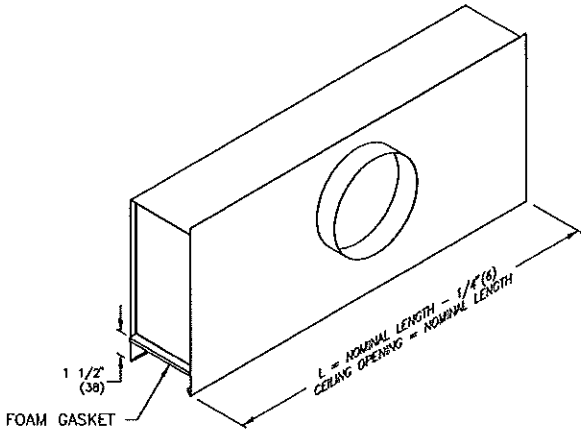
PROJECT: UCA Snow Fine Arts
ENGINEER:
DESCRIPTION: Linear Slot Supply, 1" Slot
SDS100/1/60.000/3/2/ZZ/B12

SUBMITTAL NO: 258375-B
CUSTOMER:

SUBMITTAL DATE: 10/27/2023

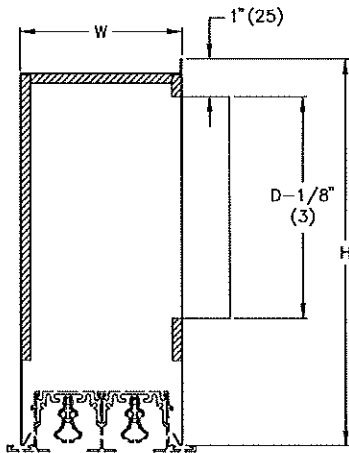
SDBI100

Selected Sizes				
Slots	Length	Inlet Size	Height	Width
3	60"	10"	13 1/4"	6"



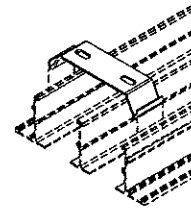
Border: Type 2 - Drywall mounted, fits SDS diffuser type 1 through 8A

Insulation Options: • CF - Internal Coated Fiberglass



Mounting Bracket:

CMBI - Extra concealed Mounting Bracket



Notes

- SDBI endcaps are uninsulated
- Associated SDS diffusers must be specified and ordered as separate items
- Install unit during drywall ceiling construction unless access is provided for post installation
- Use with surface mount type SDS/SDR
- 10" - Round Inlet
- Factory tolerance $\pm 1/32"$ (1)

Material: Coated Steel

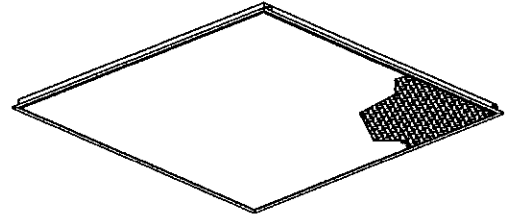
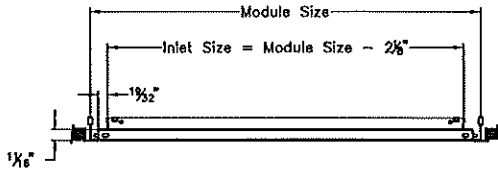
Finish: MILL Finish

PROJECT: UCA Snow Fine Arts
ENGINEER:
DESCRIPTION: Insulated Square Shoulder Plenum For SDS100
SDBI100//M60/3/2//10/CF//CMBI/

SUBMITTAL NO: 258527-A
CUSTOMER:

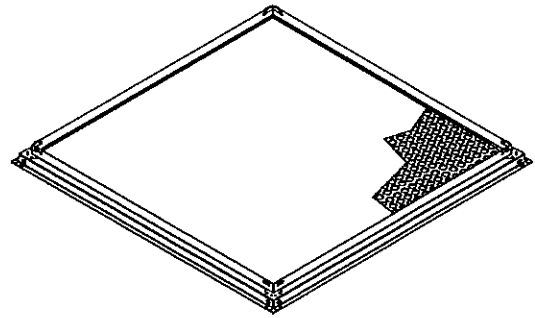
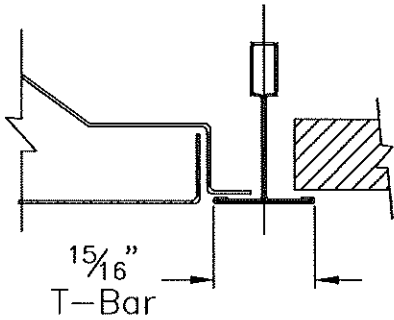
SUBMITTAL DATE: 10/27/2023

PDDR Perforated Return Diffuser



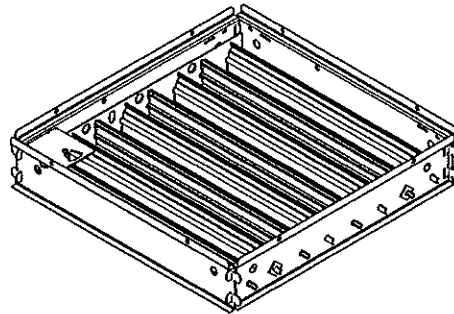
Module Size: 24"x24"
Inlet Size: 22"x22"

Frame Style: 3 - 15/16" T-Bar Lay-In



Damper

- VCS3 - Opposed blade damper
- Coated steel construction



PROJECT: UCA Snow Fine Arts
ENGINEER:
DESCRIPTION: Perforated Return Diffuser
PDDR-1-2//11IN/SQ/22x22//24x24/3/F-ST/PL-ST/C//VCS3//IB12

SUBMITTAL NO: 271091-A
CUSTOMER:

SUBMITTAL DATE: 10/27/2023

Finish

- B12 - Standard White

Notes

- Face panel is removable
- Integral hanger loops
- Dampers ship loose
- Factory tolerance +/- 1/32"

Construction

- Perforated face - 3/16" holes, 51% free area
- F-ST - Steel face
- Steel backpan and outer frame
- Steel spring latches



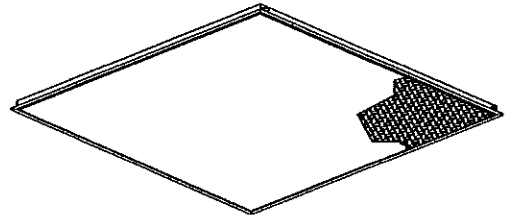
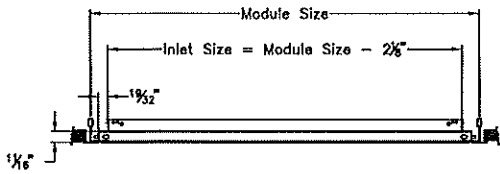
Scan for link to additional product information

PROJECT: UCA Snow Fine Arts
ENGINEER:
DESCRIPTION: Perforated Return Diffuser
PDDR-1-2///IN/SQ/22x22//24x24/3/F-ST/PL-ST/C/NC3///B12

SUBMITTAL NO: 271091-A
CUSTOMER:

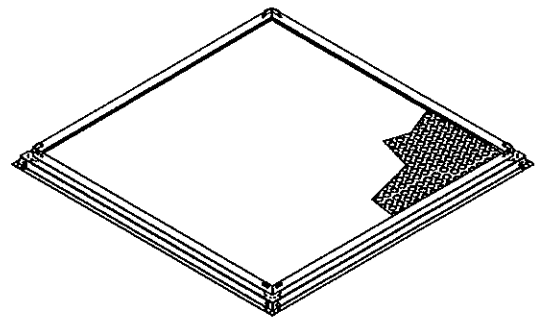
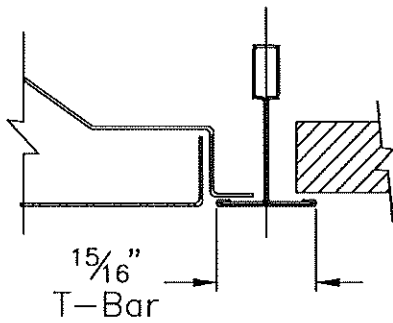
SUBMITTAL DATE: 10/27/2023

PDDR Perforated Return Diffuser



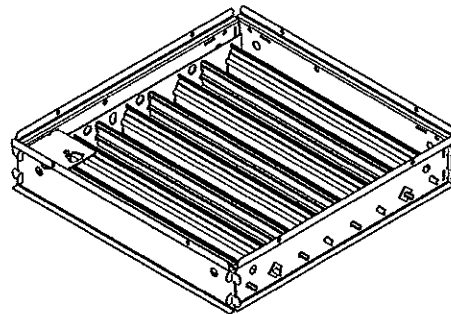
Module Size: 12"x12"
Inlet Size: 10"x10"

Frame Style: 3 - 15/16" T-Bar Lay-In



Damper

- VCS3 - Opposed blade damper
- Coated steel construction



PROJECT: UCA Snow Fine Arts
ENGINEER:
DESCRIPTION: Perforated Return Diffuser
PDDR-1-2//I/IN/SQ/10x10//12x12/3/F-ST/PL-ST/C//VCS3//B12

SUBMITTAL NO: 271091-A
CUSTOMER:

SUBMITTAL DATE: 10/27/2023

Finish

- B12 - Standard White

Notes

- Face panel is removable
- Integral hanger loops
- Dampers ship loose
- Factory tolerance +/- 1/32"

Construction

- Perforated face - 3/16" holes, 51% free area
- F-ST - Steel face
- Steel backpan and outer frame
- Steel spring latches



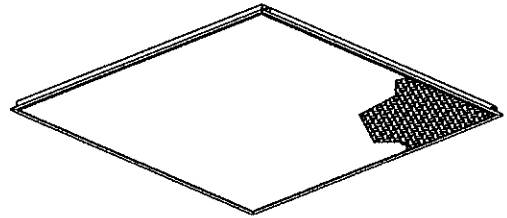
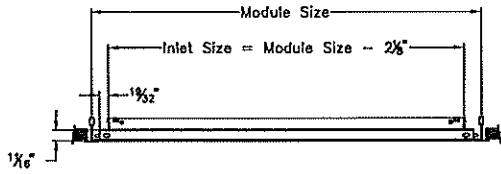
Scan for link to additional product information

PROJECT: UCA Snow Fine Arts
ENGINEER:
DESCRIPTION: Perforated Return Diffuser
PDDR-1-2///IN/SQ/10x10//12x12/3/F-ST/PL-ST/C/NCS3///B12

SUBMITTAL NO: 271091-A
CUSTOMER:

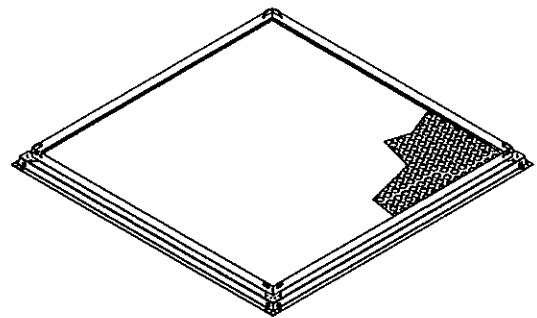
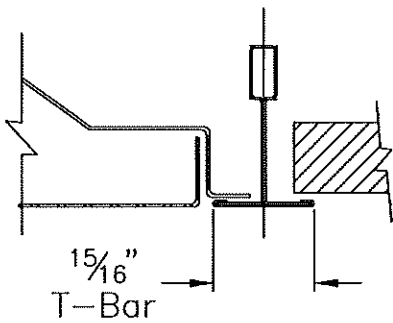
SUBMITTAL DATE: 10/27/2023

PDDR Perforated Return Diffuser



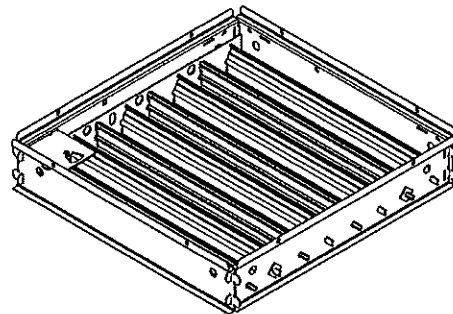
Module Size: 48"x24"
Inlet Size: 46"x22"

Frame Style: 3 - 15/16" T-Bar Lay-In



Damper

- VCS3 - Opposed blade damper
- Coated steel construction



PROJECT: UCA Snow Fine Arts
ENGINEER:
DESCRIPTION: Perforated Return Diffuser
PDDR-1-2//I/N/SQ/46x22//48x24/3/F-ST/PL-ST/C/NCS3///B12

SUBMITTAL NO: 271091-A
CUSTOMER:

SUBMITTAL DATE: 10/27/2023

Finish

- B12 - Standard White

Notes

- Face panel is removable
- Integral hanger loops
- Dampers ship loose
- Factory tolerance +/- 1/32"

Construction

- Perforated face - 3/16" holes, 51% free area
- F-ST - Steel face
- Steel backpan and outer frame
- Steel spring latches



Scan for link to additional product information

PROJECT: UCA Snow Fine Arts
ENGINEER:
DESCRIPTION: Perforated Return Diffuser
PDDR-1-2//IN/SQ/46x22//48x24/3/F-ST/PL-ST/C/NCS3///B12

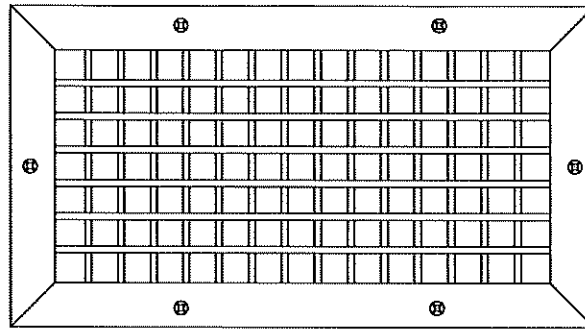
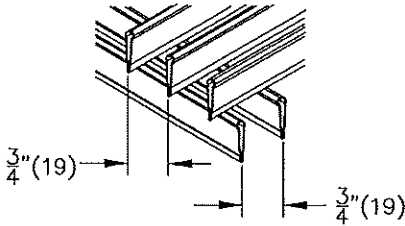
SUBMITTAL NO: 271091-A
CUSTOMER:

SUBMITTAL DATE: 10/27/2023

520D Louvered Steel Supply Register – 3/4" Blade Spacing, Double Deflection

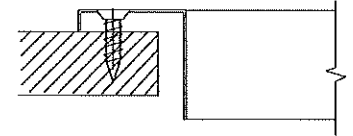
Core Style:

Double Deflection



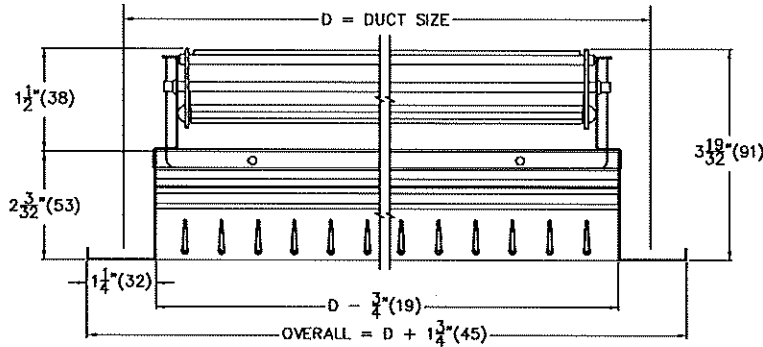
Fastening:

A: Countersunk Screwholes with Screw



Border: F

1 1/4" (32) Flat Frame



Material:

- Steel

Finish:

- B12 - Standard White

Notes:

- Front blades parallel to Long dimension
- Individually adjustable roll formed blades on 3/4" (19) centers
- VCS3 opposed blade damper, coated steel
- Factory tolerance $\pm 1/32$ " (1)
- Standard Construction with a Mullion: A mullion is provided when nominal size grille dimension exceed 24" (610). For uneven nominal size grille dimensions. e.g 45x6, the mullion is positioned 1/2" (12) from the center of the grille

PROJECT: UCA Snow Fine Arts
ENGINEER:

SUBMITTAL NO: 258306
CUSTOMER:

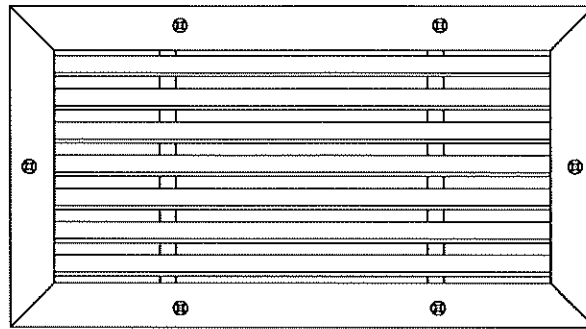
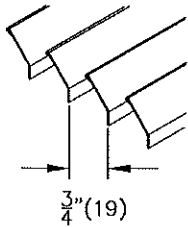
SUBMITTAL DATE: 10/27/2023

DESCRIPTION: Louvered Steel Dbl Deflec Reg W/Damp, 3/4" Spacing
520D//I/6,000,8,000,10,000,12,000,14,000,16,000,18,000,20,000,24,000,28,000,30,000,48,000/4,000,6,000,10,000,12,000,8,000,14,000,16,000/F/
L//IIA/SW/B12

530D Louvered Steel Return Register – 3/4" Blade Spacing, 45° Single Deflection

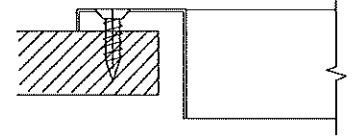
Core Style:

Single Deflection



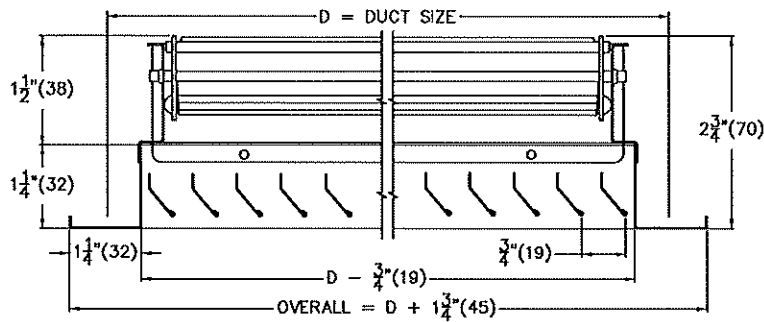
Fastening:

A: Countersunk Screwholes with Screws



Border: F

1 1/4" (32) Flat Frame



Material:

- Steel

Finish:

- B12 - Standard White

Notes:

- Blades parallel to Long dimension
- 45° Deflection roll formed blades on 3/4" (19) centers
- VCS3 opposed blade damper, coated steel
- Factory tolerance $\pm 1/32"$ (1)

PROJECT: UCA Snow Fine Arts

ENGINEER:

DESCRIPTION: Steel Return Reg W/Damp, 45 Deg Blades, 3/4" Spcng

530D///6,000,8,000,16,000,18,000,22,000,24,000/6,000,8,000,14,000,12,000/F/L///A//SW/B12

SUBMITTAL NO: 258306

CUSTOMER:

SUBMITTAL DATE: 10/27/2023