

Quality People. Building Solutions.

Comfort Systems USA (Arkansas), Inc.
P.O. Box 16620
Little Rock, AR 72231
Phone 501-834-3320
Fax 501-834-5416

Date: 11/9/2023

Return Request: 11/19/2023

Project: UCA Snow – Fine Arts Center

Supplier: Airetech

Manufacturer: IEC

Submittal: Air Terminal Units (FCUs)

Submittal Number: 23 36 16-01

Drawing # and Installation: Mechanical Drawings

ARCHITECT

H+N Architects
1009 Main Street
Conway, AR 72032
501-327-7525

ENGINEER

Pettit & Pettit
201 E. Markham St. #400
Little Rock, AR 72201
501-374-3731

GENERAL CONTRACTOR

Wagner General Contractors
600 W. Race Ave.
Searcy, AR 72143
501-203-0704

MECHANICAL SUBCONTRACTOR

Comfort Systems USA (Arkansas), Inc.
9924 Landers Rd.
N. Little Rock, AR 72117
501-834-3320

Notes:

CSUSA PROJECT NO.

23-2020

chowell@comfortar.com



SUBMITTAL DATA

EQUIPMENT: IEC Fan Coil Units

TAGS: FC-01 and FC-02

PROJECT: UCA Snow Fine Arts

LOCATION: Conway, AR

ENGINEER:



CONTRACTOR:



DATE: 10/31/2023

SUBMITTED BY: Forrest Moseley
forrest@airetechcorp.com
0

PROJECT SUBMITTAL

10/31/2023



Project Name: UCA Snow Fine Arts
 Project Location:
 Created by: Forrest Moseley
 Printed Date: 10/31/2023 7:24 AM
 Selection Date: 8/23/2023 9:29 AM
 Last Revision: 10/31/2023 7:24 AM

INTERNATIONAL ENVIRONMENTAL CORPORATION
 5000 I-40 West Service Road
 Oklahoma City, OK 73128
 PH: 405-605-5000
 Quote #: QT170718-0

Unit Tag: FC-01 Qty: 1 Model: CBY06 System: 4-Pipe Hydronic Heat/ Hydronic Cool (Quick Ship)

Unit Data

Motor Type:	PSC Standard	Coil Hand:	RH
Motor HP:	0.080	Coil Tube Dia:	0.50 in
Motor FLA:	1.6 Amps	Coil Face Area:	1.88 ft^2
Motor Watts:	133.3 W	Cooling Coil Connection:	0.50 in
Unit MCA:	2.0 Amps	Heating Coil Connection:	0.50 in
Unit MFS:	15.0 Amps		
Unit Volt:	115/1/60	Filter Size:	10 x 45 x 1 in
		Filter Face Area:	3.130 ft^2
		Filter Type:	1" Pleated (MERV 8) Filter

Performance Data			Unit Configuration	CBY - Telescoping Hideaway
Altitude:	0	Ft	Unit & Size-CBY Unit Size 06	
Air Flow Rate:	431	CFM	Coil-4 Row Cooling/1 Row Heating (4 Pipe) SE Conn	
ESP:	0.25	in WC	Coil Hand-Right Hand Coil	
Coil Face Velocity:	228	Ft/Min	CoilTestPressure-350 PSIG	
Cooling Performance			Coil Drains-None	
Fluid:	Water		Coil Option-Union Conn at Coil (4 Pipe) at 1/2" C and H	
EAT DB/WB:	75.0 / 63.0	F	Motor-Standard PSC Blower Motor 115/1/60	
LAT DB/WB:	54.9 / 53.6	F	Arrangement-Bottom Return/Front Supply	
Total Capacity:	11865	BTUH	Tstat-3 Speed Thermostat By Others	
Sensible Capacity:	9503	BTUH	Cntrl Pkg-4 Pipe H/C (24V 3Spd)	
EWT/LWT:	45.0 / 54.4	F	Cntrl Option-20 amp Serv Switch (Non Fused)	
Fluid FLOW:	2.500	GPM	Ctrl Option-Condensate Overflow Sw	
Fluid P.D.:	4.5	Ft WC	Primary Valve Package - None	
Rows / FPI / Circuits:	4 / 10 / 2		Secondary Valve Package - None	
Heating Performance			Piping and Controls-Opposite Side Piping and Controls	
Fluid:	Water		Return Air-Stamped Return	
EAT DB/WB:	70.0	F	Supply Air-Ducted Supply	
LAT DB/WB:	96.3	F	Filter-1" Pleated (MERV 8) filter	
Total Capacity:	12525	BTUH	Removable Drain Pan, Stainless Steel, External Insulation	
EWT/LWT:	160.0 / 126.2	F	Drain Pan-Furnish Only Drip Lip	
Fluid FLOW:	0.750	GPM	Paint-Arctic White Powder Coat	
Fluid P.D.:	0.6	Ft WC	Cabinet Ins-1/2" Standard Fiberglass	
Rows / FPI / Circuits:	1 / 10 / 1		Packaging-Box and Palletize Units	

Sound Power							
Octave Band (dB Re 10 ¹² Watts)							
Frequency:	125	250	500	1K	2K	4K	8K
Casing:	65	59	57	52	48	45	42
Discharge:	63	58	59	56	50	46	42

International Environmental Corporation (IEC) works continually to improve its products. As a result, the design and specifications of each product may be changed without notice and may not be as described herein. Please contact IEC for information regarding current design and product specifications. Statements and other information contained herein are not express warranties and do not form the basis of any bargain between the parties but are merely IEC's opinion or commendation of its products. Manufacturer's standard limited warranty applies.

PROJECT SUBMITTAL

10/31/2023



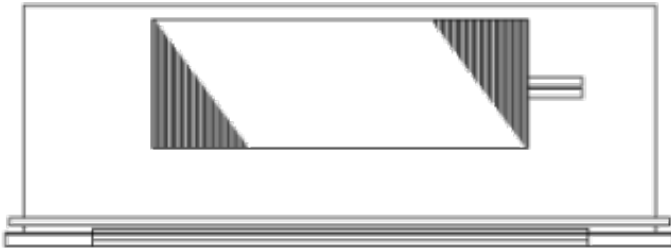
Project Name: UCA Snow Fine Arts
Project Location:
Created by: Forrest Moseley
Printed Date: 10/31/2023 7:24 AM
Selection Date: 8/23/2023 9:29 AM
Last Revision: 10/31/2023 7:24 AM

INTERNATIONAL ENVIRONMENTAL CORPORATION

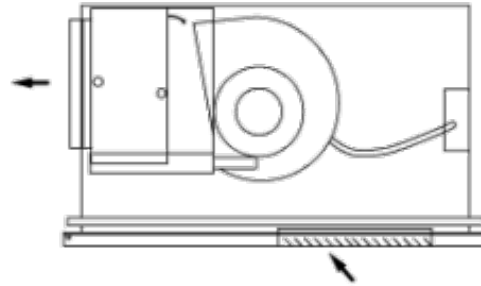
5000 I-40 West Service Road
Oklahoma City, OK 73128
PH: 405-605-5000
Quote #: QT170718-0

Unit Tag: FC-01 Qty: 1 Model: CBY06 System: 4-Pipe Hydronic Heat/ Hydronic Cool (Quick Ship)

Unit Connections Configuration



FRONT



RIGHT

Supply: Supply Air Duct Collar
Return: Stamped Return

Coil Hand: RH
Electrical Box: LH

Unit Typical ISO View



Unit Tag

FC-01

International Environmental Corporation (IEC) works continually to improve its products. As a result, the design and specifications of each product may be changed without notice and may not be as described herein. Please contact IEC for information regarding current design and product specifications. Statements and other information contained herein are not express warranties and do not form the basis of any bargain between the parties but are merely IEC's opinion or commendation of its products. Manufacturer's standard limited warranty applies.

PROJECT SUBMITTAL

10/31/2023



Project Name: UCA Snow Fine Arts
 Project Location:
 Created by: Forrest Moseley
 Printed Date: 10/31/2023 7:24 AM
 Selection Date: 8/23/2023 9:29 AM
 Last Revision: 10/31/2023 7:24 AM

INTERNATIONAL ENVIRONMENTAL CORPORATION
 5000 I-40 West Service Road
 Oklahoma City, OK 73128
 PH: 405-605-5000
 Quote #: QT170718-0

Unit Tag: FC-02 Qty: 1 Model: CBY08 System: 4-Pipe Hydronic Heat/ Hydronic Cool (Quick Ship)

Unit Data

Motor Type:	PSC Standard	Coil Hand:	RH
Motor HP:	0.170	Coil Tube Dia:	0.50 in
Motor FLA:	2.5 Amps	Coil Face Area:	2.31 ft^2
Motor Watts:	176.0 W	Cooling Coil Connection:	0.50 in
Unit MCA:	3.1 Amps	Heating Coil Connection:	0.50 in
Unit MFS:	15.0 Amps		
Unit Volt:	115/1/60	Weight (Dry):	155 lbs
		Weight (Wet):	165 lbs
		Fan Speed:	H
		Filter Size:	10 x 45 x 1 in
		Filter Face Area:	3.130 ft^2
		Filter Type:	1" Pleated (MERV 8) Filter

Performance Data			Unit Configuration	CBY - Telescoping Hideaway
Altitude:	0	Ft	Unit & Size-CBY Unit Size 08	
Air Flow Rate:	469	CFM	Coil-4 Row Cooling/1 Row Heating (4 Pipe) SE Conn	
ESP:	0.25	in WC	Coil Hand-Right Hand Coil	
Coil Face Velocity:	203	Ft/Min	CoilTestPressure-350 PSIG	
Cooling Performance			Coil Drains-None	
Fluid:	Water		Coil Option-Union Conn at Coil (4 Pipe) at 1/2" C and H	
EAT DB/WB:	75.0 / 63.0	F	Motor-Standard PSC Blower Motor 115/1/60	
LAT DB/WB:	54.2 / 52.9	F	Arrangement-Bottom Return/Front Supply	
Total Capacity:	13728	BTUH	Tstat-3 Speed Thermostat By Others	
Sensible Capacity:	10716	BTUH	Cntrl Pkg-4 Pipe H/C (24V 3Spd)	
EWT/LWT:	45.0 / 54.1	F	Cntrl Option-20 amp Serv Switch (Non Fused)	
Fluid FLOW:	3.000	GPM	Ctrl Option-Condensate Overflow Sw	
Fluid P.D.:	6.8	Ft WC	Primary Valve Package - None	
Rows / FPI / Circuits:	4 / 10 / 2		Secondary Valve Package - None	
Heating Performance			Piping and Controls-Opposite Side Piping and Controls	
Fluid:	Water		Return Air-Stamped Return	
EAT DB/WB:	70.0	F	Supply Air-Ducted Supply	
LAT DB/WB:	99.3	F	Filter-1" Pleated (MERV 8) filter	
Total Capacity:	15188	BTUH	Removable Drain Pan, Stainless Steel, External Insulation	
EWT/LWT:	160.0 / 129.3	F	Drain Pan-Furnish Only Drip Lip	
Fluid FLOW:	1.000	GPM	Paint-Arctic White Powder Coat	
Fluid P.D.:	1.2	Ft WC	Cabinet Ins-1/2" Standard Fiberglass	
Rows / FPI / Circuits:	1 / 10 / 1		Packaging-Box and Palletize Units	

Sound Power							
Octave Band (dB Re 10 ¹² Watts)							
Frequency:	125	250	500	1K	2K	4K	8K
Casing:	65	61	58	54	51	48	45
Discharge:	63	61	61	58	53	50	46

International Environmental Corporation (IEC) works continually to improve its products. As a result, the design and specifications of each product may be changed without notice and may not be as described herein. Please contact IEC for information regarding current design and product specifications. Statements and other information contained herein are not express warranties and do not form the basis of any bargain between the parties but are merely IEC's opinion or commendation of its products. Manufacturer's standard limited warranty applies.

PROJECT SUBMITTAL

10/31/2023



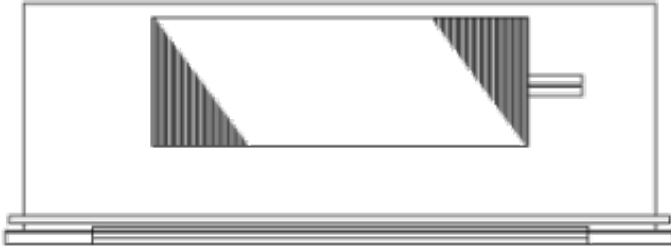
Project Name: UCA Snow Fine Arts
Project Location:
Created by: Forrest Moseley
Printed Date: 10/31/2023 7:24 AM
Selection Date: 8/23/2023 9:29 AM
Last Revision: 10/31/2023 7:24 AM

INTERNATIONAL ENVIRONMENTAL CORPORATION

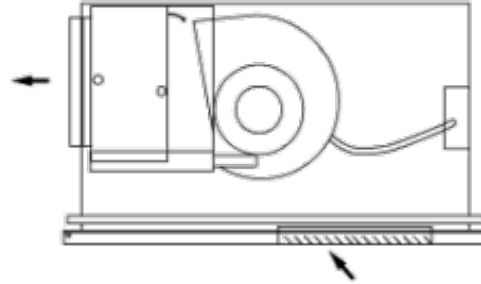
5000 I-40 West Service Road
Oklahoma City, OK 73128
PH: 405-605-5000
Quote #: QT170718-0

Unit Tag: FC-02 Qty: 1 Model: CBY08 System: 4-Pipe Hydronic Heat/ Hydronic Cool (Quick Ship)

Unit Connections Configuration



FRONT



RIGHT

Supply: Supply Air Duct Collar
Return: Stamped Return

Coil Hand: RH
Electrical Box: LH

Unit Typical ISO View

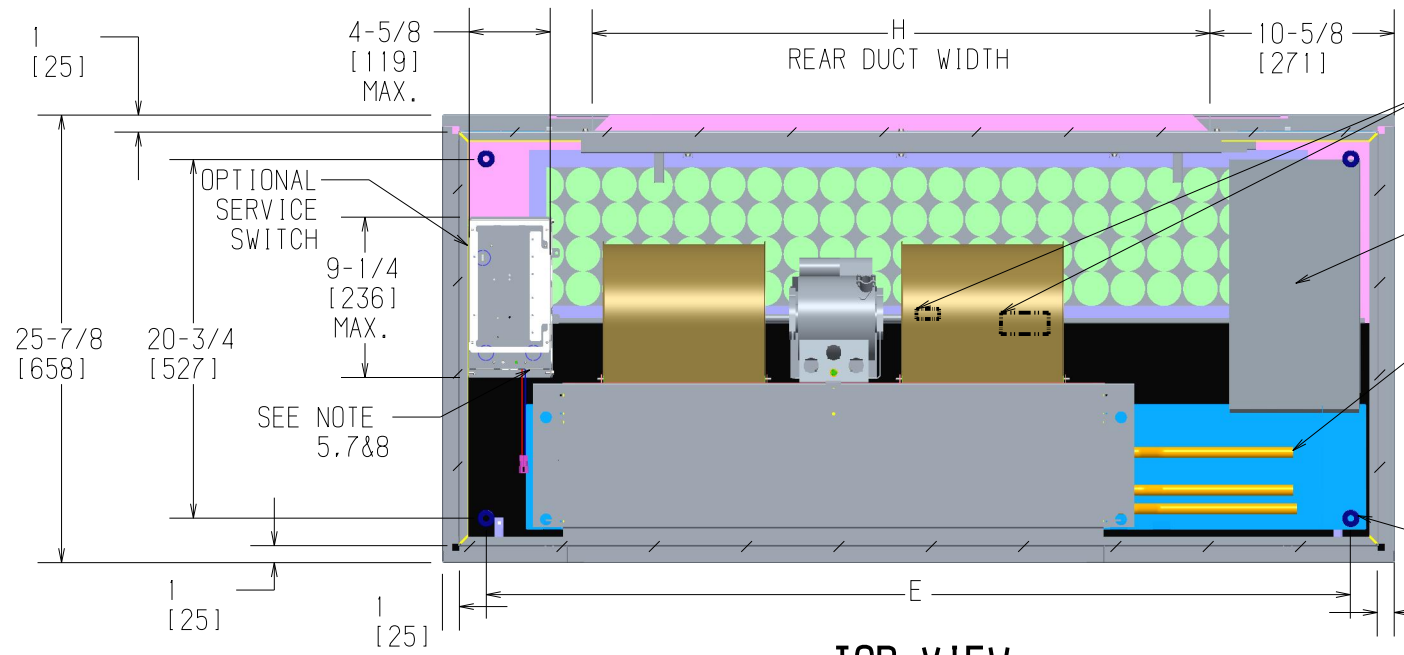


Unit Tag

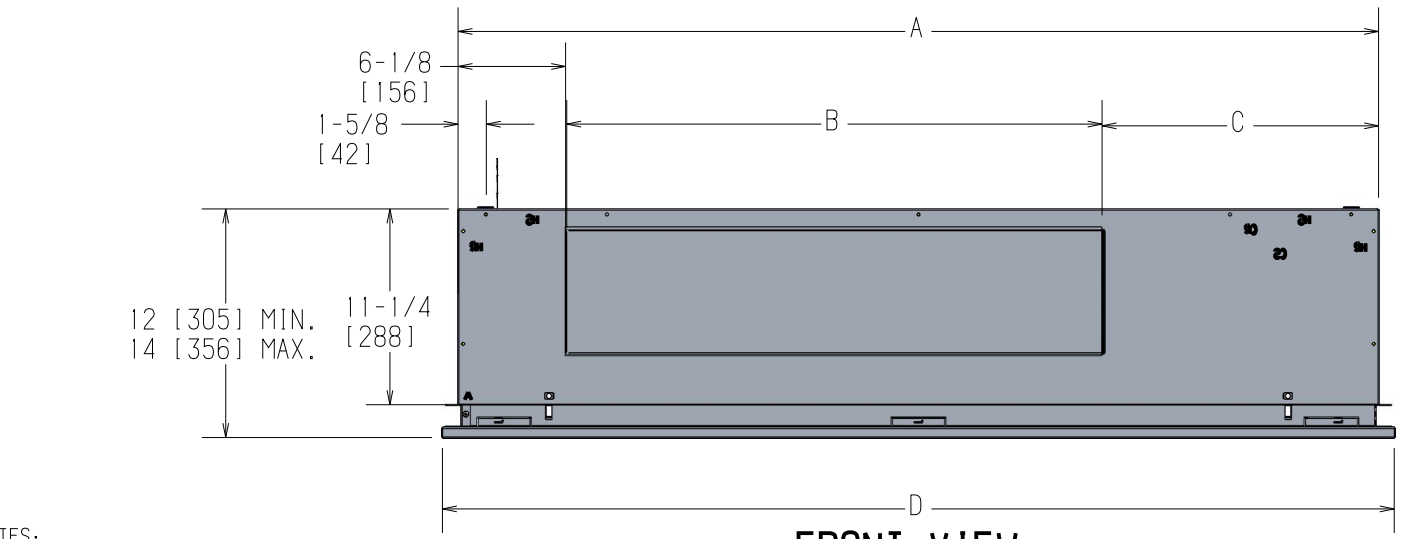
FC-02

International Environmental Corporation (IEC) works continually to improve its products. As a result, the design and specifications of each product may be changed without notice and may not be as described herein. Please contact IEC for information regarding current design and product specifications. Statements and other information contained herein are not express warranties and do not form the basis of any bargain between the parties but are merely IEC's opinion or commendation of its products. Manufacturer's standard limited warranty applies.

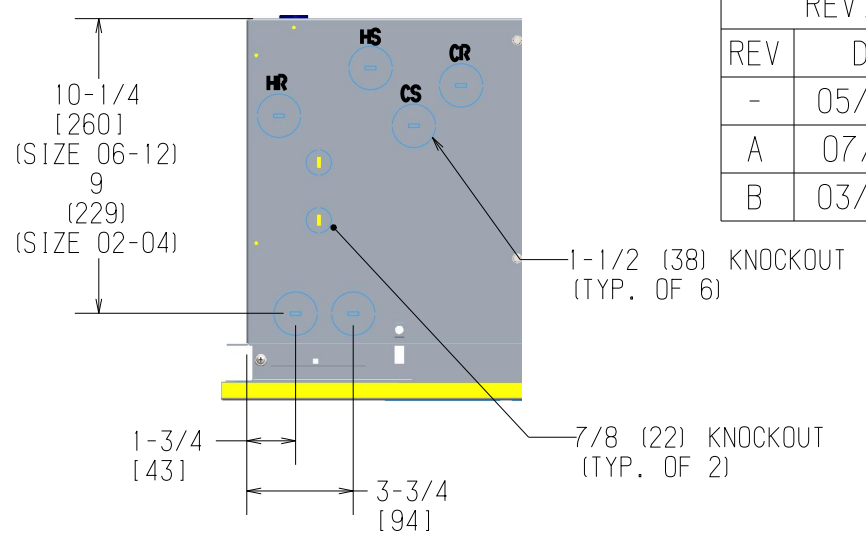
REVISION HISTORY		
REV	DATE	ECN
-	05/01/18	18-0608
A	07/07/20	20-0643
B	03/11/21	21-0295



TOP VIEW

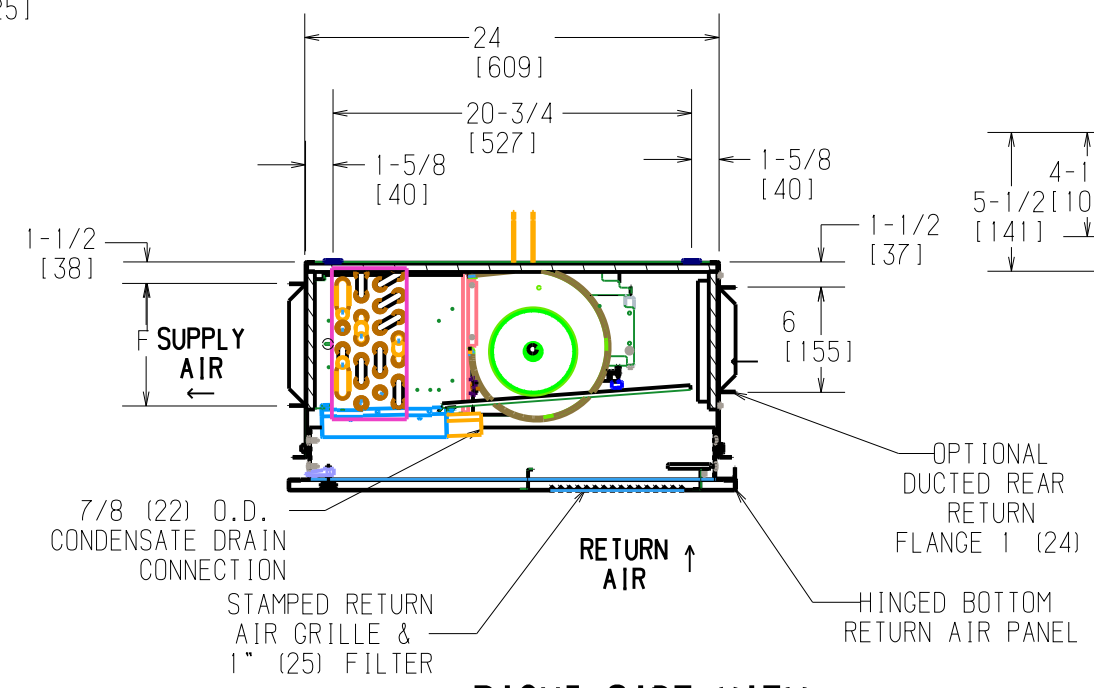


FRONT VIEW

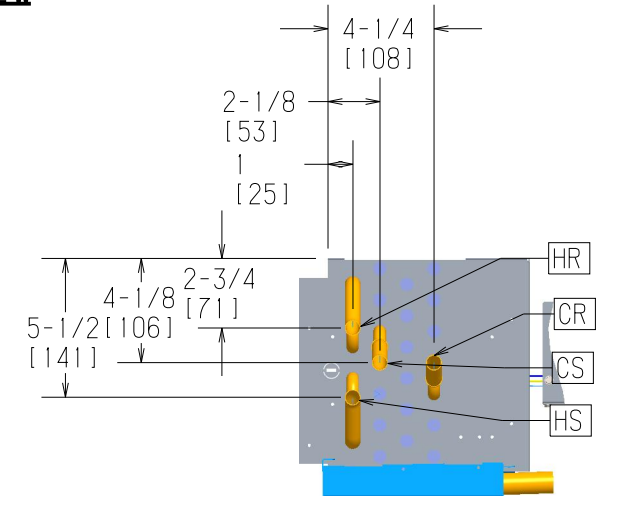


PARTIAL REAR VIEW

(TYPICAL BOTH SIDES)
SEE VLV PKG
SUPPLEMENT FOR DIMS



RIGHT SIDE VIEW



DETAIL A
STUB OUT
LOCATIONS
FOR STANDARD
COIL

- NOTES:
1. RH SHOWN, LH OPPOSITE.
 2. ALL DIMENSIONS ARE +/- .25 (6). DRAWING NOT TO SCALE.
 3. PRODUCT SPECIFICATIONS ARE SUBJECT TO CHANGE WITHOUT NOTICE.
 4. DRIP LIP RECOMMENDED. PROVIDED WHEN VALVE PKG IS ORDERED.
 5. CONTROL BOX SIZE AND POSITION MAY VARY (CONSULT FACTORY)
 6. POSITION MAY VARY.
 7. SERVICE ACCESS IS LOCATED ON THE FRONT OF THE CONTROL BOX.
 8. KNOCKOUTS ON THE BOTTOM AND SIDE OF THE CONTROL BOX FOR INCOMING POWER CONNECTIONS
 9. TYPICAL SIZE 06 UNIT SHOWN WITH 1-MOTOR AND 2-BLWR - REFER TO TABLE FOR VARIATION.
 10. SEE VALVE PACKAGE SUPPLEMENTAL FOR PIPING TERMINATION.
 11. FIELD CONNECTION PIPES WILL BE SHIPPED LOOSE WITH VALVE PACKAGES.

Unit Model	Dimensions - Inches (Millimeters)							Quantity/Unit	
	A	B	C	D	E	F	H	BLWR	MOTOR
CBY 02	35 (889)	16 (406)	12-3/4 (324)	37 (940)	32 (813)	6 (152)	18-3/4 (476)	1	1
CBY 03	35 (889)	20 (508)	8-3/4 (225)	37 (940)	32 (813)	6 (152)	18-3/4 (476)	1	1
CBY 04	41 (1041)	26 (660)	8-3/4 (225)	43 (1092)	38 (965)	6 (152)	24-3/4 (629)	2	1
CBY 06	53 (1346)	31 (787)	15-3/4 (400)	55 (1397)	50 (1270)	7 (179)	35-3/4 (908)	2	1
CBY 08	53 (1346)	38 (965)	8-3/4 (225)	55 (1397)	50 (1270)	7 (179)	35-3/4 (908)	2	1
CBY 10	75 (1905)	52 (1321)	16-3/4 (425)	77 (1956)	72 (1829)	7 (179)	49-3/4 (1264)	4	2
CBY 12	75 (1905)	60 (1524)	8-3/4 (225)	77 (1956)	72 (1829)	7 (179)	49-3/4 (1264)	4	2

TITLE
CBY HORIZONTAL TELESCOPING HIDEAWAY

DWG NO
1100-90041393

REV
B

DRAWN J.Fuson	DATE 03/29/21	APPROVED S.STOTTS	DATE 03/29/21
------------------	------------------	----------------------	------------------

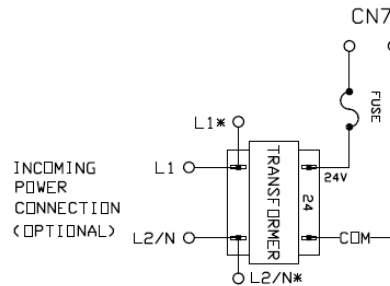
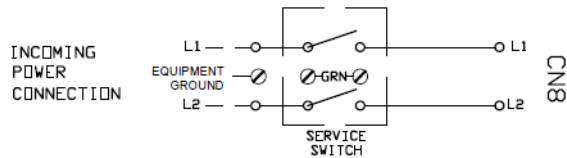
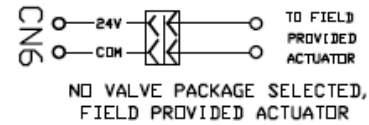
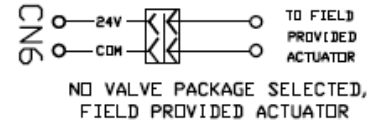
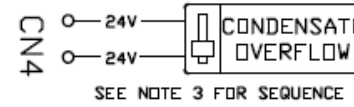
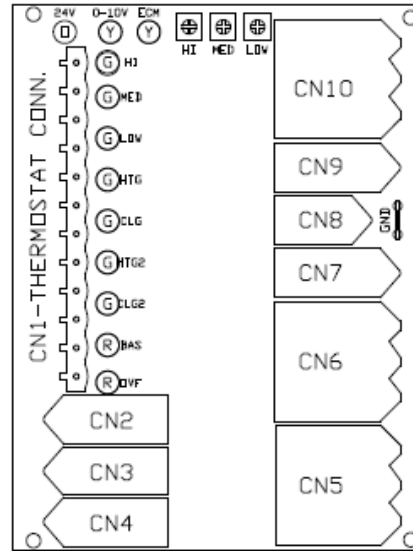
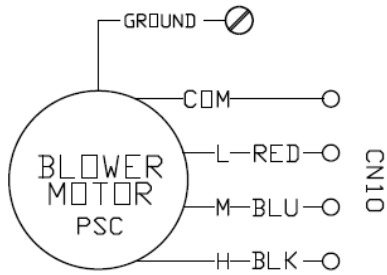
EntityID;EntityRev: QT170718;0

Applies to Lines: 1, 2

Project: UCA Snow Fine Arts

Date Generated: 10/31/2023 7:25 AM

Tstat by Others




- NOTES:
1. PRODUCT SPECIFICATIONS ARE SUBJECT TO CHANGE WITHOUT NOTICE.
 2. NOT AS BUILT DRAWING, CONTACT FACTORY FOR ACTUAL WIRING CONFIGURATION.
 3. CONDENSATE OVERFLOW SWITCH TO INTERRUPT 24V POWER TO UNIT UNLESS SPECIFIED OTHERWISE.

	INTERNATIONAL ENVIRONMENTAL
	TITLE ELECTRICAL SUBMITTAL 4 PIPE HTG/ CLG

1" Pleated MERV 8 Filter



Filter Information	
Manufacturer	FilterTec
Type	Glasfloss Z-Line
Customer Furnished	No
IEC Furnished	Yes
Factory Installed	Yes



Specifications	
Color	White
MERV Rating	8
Average Arrestance	84%
Efficiency (1.0 µm)	46.7%
Pleats per Foot	16

UNIT	UNIT SIZE	ARRANGEMENT	FILTER DIMENSION S	FILTER SIZE	RATED VELOCITY FPM	INITIAL RESIST. IN. W.G.	RATED VELOCITY (M/H)	INITIAL RESIST. PASCA
CBY/DBY	2	Bottom Return	10 X 28	1"	300	0.24	5490	59.7
	3	Bottom Return	10 X 28	1"	300	0.24	5490	59.7
	4	Bottom Return	10 X 33	1"	300	0.24	5490	59.7
	6	Bottom Return	10 X 45	1"	300	0.24	5490	59.7
	8	Bottom Return	10 X 45	1"	300	0.24	5490	59.7
	10	Bottom Return	10 X 62	1"	300	0.24	5490	59.7
	12	Bottom Return	10 X 62	1"	300	0.24	5490	59.7
	2	Rear Return	7 X 21	1"	300	0.24	5490	59.7
	3	Rear Return	7 X 21	1"	300	0.24	5490	59.7
	4	Rear Return	7 X 27	1"	300	0.24	5490	59.7
	6	Rear Return	7 X 38	1"	300	0.24	5490	59.7
	8	Rear Return	7 X 38	1"	300	0.24	5490	59.7
	10	Rear Return	7 X 52	1"	300	0.24	5490	59.7
	12	Rear Return	7 X 52	1"	300	0.24	5490	59.7
CPY	2	All	10 X 18	1"	300	0.24	5490	59.7
CPY	3	All	10 X 22	1"	300	0.24	5490	59.7
CPY	4	All	10 X 28	1"	300	0.24	5490	59.7
CPY	6	All	10 X 33	1"	300	0.24	5490	59.7
CPY	8	All	10 X 40	1"	300	0.24	5490	59.7
CPY	10	All	10 X 54	1"	300	0.24	5490	59.7
CPY	12	All	10 X 62	1"	300	0.24	5490	59.7

International Environmental Corporation (IEC) © works continually to improve its products. As a result, the design and specifications of each product may be changed without notice and may not be as described herein. Please contact IEC for information regarding current design and product specifications. Statements and other information contained herein are not express warranties and do not form the basis of any bargain between the parties but are merely IEC's opinion or commendation of its products. Manufacturer's standard limited warranty applies.