

*Quality People. Building Solutions.*

Comfort Systems USA (Arkansas), Inc.  
P.O. Box 16620  
Little Rock, AR 72231  
Phone 501-834-3320  
Fax 501-834-5416

**Date:** 11/9/2023

**Return Request:** 11/19/2023

**Project:** UCA Snow – Fine Arts Center

**Supplier:** Airetech

**Manufacturer:** LG

**Submittal:** Ductless Mini-Split

**Submittal Number:** 23 00 00-02

**Drawing # and Installation:** Mechanical Drawings

**ARCHITECT**

H+N Architects  
1009 Main Street  
Conway, AR 72032  
501-327-7525

**ENGINEER**

Pettit & Pettit  
201 E. Markham St. #400  
Little Rock, AR 72201  
501-374-3731

**GENERAL CONTRACTOR**

Wagner General Contractors  
600 W. Race Ave.  
Searcy, AR 72143  
501-203-0704

**MECHANICAL SUBCONTRACTOR**

Comfort Systems USA (Arkansas), Inc.  
9924 Landers Rd.  
N. Little Rock, AR 72117  
501-834-3320

Notes:

**CSUSA PROJECT NO.**

**23-2020**

**[chowell@comfortar.com](mailto:chowell@comfortar.com)**



## **SUBMITTAL DATA**

EQUIPMENT: LG Ductless Mini Split

TAGS: DSFC-1 / DSCU-1

PROJECT: UCA Snow Fine Arts

LOCATION: Conway, AR

ENGINEER:



CONTRACTOR:



DATE: 10/31/2023

SUBMITTED BY: Forrest Moseley  
forrest@airetechcorp.com  
0

Job Name/Location:

Tag No.:

Date:

For:	File	Resubmit
	Approval	Other_____

PO No.:

Architect: \_\_\_\_\_ GC: \_\_\_\_\_

Engr: \_\_\_\_\_ Mech: \_\_\_\_\_

Rep: \_\_\_\_\_  
(Company) (Project Manager)



## LS303HLV3

Single Zone Extended Piping Wall Mount

Outdoor Unit (ODU) - LSU303HLV3, Indoor Unit (IDU) - LSN303HLV3

### Performance:

#### Cooling:

Cooling Capacity (Min~Rated~Max) (Btu/h)	3,070~30,000~34,000
SEER2	20.5
EER2	11.3

SEER - Seasonal Energy Efficiency Ratio EER - Energy Efficiency Ratio

#### Heating:

Heating Capacity (Min~Rated~Max) (Btu/h)	3,070~32,400~38,900
HSPF2	7.9
Max. Heating @ Indoor 70°F DB	
Outdoor 19°F DB / 17°F WB	32,500 (100%)
Outdoor 6°F DB / 5°F WB	28,080 (88%)
Outdoor -3°F DB / -4°F WB	24,390 (75%)

HSPF - Heating Seasonal Performance Factor

Cooling Nominal Test Conditions:

Indoor: 80°F DB / 67°F WB

Outdoor: 95°F DB / 75°F WB

Heating Nominal Test Conditions:

Indoor: 70°F DB / 60°F WB

Outdoor: 47°F DB / 43°F WB

#### Outdoor Unit:

MOP (A)	30
MCA (A)	23
Cooling / Heating Rated Amps (A)	15.35
Compressor (A)	15.1
Fan Motor (A)	0.25

MOP - Maximum Overcurrent Protection

MCA - Minimum Circuit Ampacity

#### Total Power Input:

Cooling Power Input (kW)	2.66
Heating Power Input (kW)	2.75

#### Piping:

Liquid Line (in., O.D.)	ø3/8 Flare
Vapor Line (in., O.D.)	ø5/8 Flare
Additional Refrigerant (oz./ft.)	0.38
Min. / Max. Pipe Length (ft.) <sup>2</sup>	9.8 / 164
Piping Length (no add'l refig., ft.)	24.6
Max. Elevation (ft.)	98.4

#### Features:

- 24-Hour on/off timer
- 4-Way auto swing
- Auto changeover
- Auto restart
- Jet cool/Jet heat
- Built-in low ambient standard, down to 14°F (cooling mode)
- Condensate Sensor Connection
- Inverter (variable speed compressor)
- Smart Diagnosis
- Washable Filter
- Self-cleaning indoor coil
- Built-in base pan heater
- Built-in Wi-Fi via Smart ThinQ app

#### Optional Accessories:

- Low Ambient Wind Baffle (Cooling operation to 0°F) - ZLABGP04A
- Simple Remote Controller - PREMT00U
- Std III Remote Controller (White / Black)-PREMTB100 / PREMTBB10
- MultiSITE™ CRC\* - PREMTBVC2/C3/C4
- MultiSITE Comm. Mgr. - PBACNBTR0A
- PI-485 - PMNFP14A1
- Dry Contact - PDRYCB100/320/400
- AC Smart 5 - PACSSA000
- ACP 5 BACnet Gateway-PACP5A000
- LonWorks® Gateway-ZHWLONWKO

### Operating Range:

#### Outdoor Unit:

Cooling (°F DB)	14 ~ 118
Heating (°F WB)	-4 ~ +65

#### Indoor Unit:

Cooling (°F WB)	53 ~ 75
Heating (°F DB)	64 ~ 86

### Electrical:

Power Supply (V/Hz/Ø)	208-230/60/1
-----------------------	--------------

### System Data:

Refrigerant Type	R410A
Refrigerant Control	EEV
Refrigerant Charge (lbs.)	5.291
ODU Sound Pressure (Cooling / Heating) (±1 dB[A]) <sup>3</sup>	55 / 58
IDU Sound Pressure Cooling (H/M/L/Sleep) (±1 dB[A]) <sup>3</sup>	51 / 47 / 43 / 33
Heating (H/M/L) (±1 dB[A]) <sup>3</sup>	51 / 47 / 43
ODU Net / Shipping Weight (lbs.)	147.9 / 160.3
IDU Net / Shipping Weight (lbs.)	40.8 / 48.9
Heat Exchanger Coating	GoldFin™

### Fan:

ODU Type	Propeller
IDU Type	Cross Flow
Fan Speeds (Fan/Cool/Heat)	6 / 6 / 6
Quantity (ODU + IDU)	1 + 1
Motor/Drive	Brushless Digitally Controlled/Direct
ODU Max. Air Flow Rate (CFM)	2,295
IDU Air Flow Cooling, Max/H/M/L (CFM)	1,095 / 883 / 742 / 601
Heating, Max/H/M/L (CFM)	1,166 / 954 / 813 / 671
Dehumidification (pts./hr.)	5.49

### Notes:

1. Acceptable operating voltage: 187V-253V.
2. Piping lengths are equivalent.
3. Sound Pressure levels are tested in an anechoic chamber under ISO Standard 3745.
4. All communication / connection (power) cable from the outdoor unit to the indoor unit is field supplied and must be a minimum of four-conductor, 14 AWG, stranded, shielded or unshielded (if shielded, it must be grounded to the chassis of the outdoor unit only), and must comply with applicable local and national codes.
5. See Engineering Manual for sensible and latent capacities.
6. Power wiring cable size must comply with the applicable local and national code.
7. The indoor unit comes with a dry helium charge.
8. This data is rated 0 ft. above sea level, with 24.6 ft. of refrigerant line and a 0 ft. level difference between outdoor and indoor units.
9. Must follow installation instructions in the applicable LG installation manual.



For a complete list of available accessories, contact your LG representative.

For continual product development, LG reserves the right to change specifications without notice.

© LG Electronics U.S.A., Inc., Englewood Cliffs, NJ. All rights reserved. "LG Life's Good" is a registered trademark of LG Corp. /www.lghvac.com

SB\_SZ\_WM\_ExtendedPiping\_LS303HLV3\_2023\_10\_05\_065226

Page 1 of 3

# LS303HLV3

## Single Zone Extended Piping Wall Mount

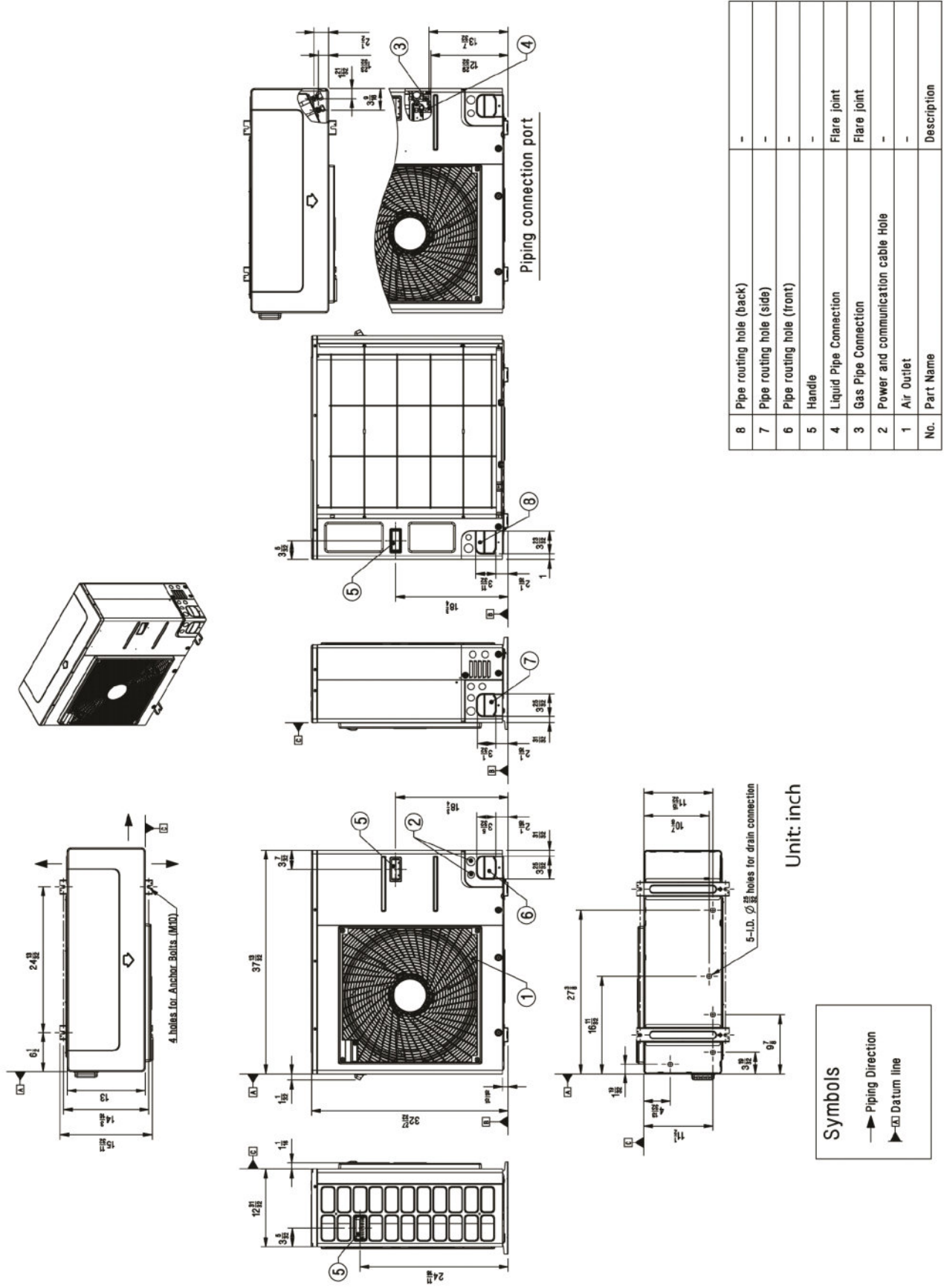
Outdoor Unit (ODU) - LSU303HLV3, Indoor Unit (IDU) - LSN303HLV3



Tag No.: \_\_\_\_\_

Date: \_\_\_\_\_

PO No.: \_\_\_\_\_



Nc.	Part Name	Description
8	Pipe routing hole (back)	-
7	Pipe routing hole (side)	-
6	Pipe routing hole (front)	-
5	Handle	-
4	Liquid Pipe Connection	Flare joint
3	Gas Pipe Connection	Flare joint
2	Power and communication cable Hole	-
1	Air Outlet	-

**Symbols**

- Piping Direction
- ▲ Datum line

Unit: inch

# LS303HLV3

Single Zone Extended Piping Wall Mount

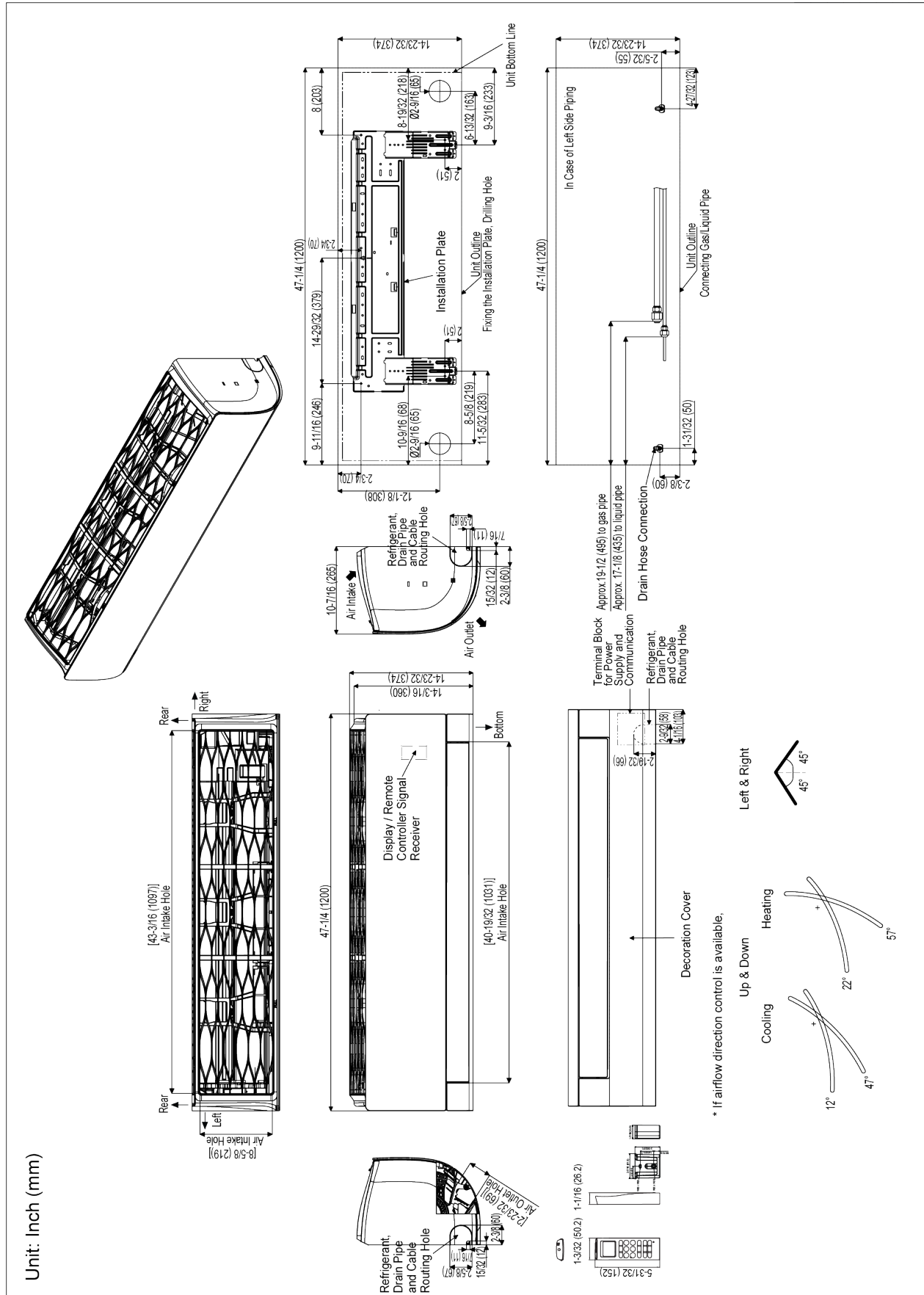
Outdoor Unit (ODU) - LSU303HLV3, Indoor Unit (IDU) - LSN303HLV3



Tag No.: \_\_\_\_\_

Date: \_\_\_\_\_

PO No.: \_\_\_\_\_



Date: 10/31/2023

For:  File  Resubmit  
 Approval  Other \_\_\_\_\_

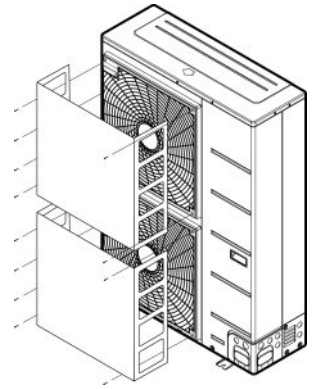
PO No.:

Architect: \_\_\_\_\_ GC: \_\_\_\_\_

Engr: Pettit \_\_\_\_\_ Mech: \_\_\_\_\_

Rep: Airetech Corporation (Company) Forrest Moseley (Project Manager)

**ZLABGP04A**  
 Low Ambient Wind Baffle Kit



**Unit Data:**

Net Unit Weight (lbs)	5
Shipping Weight (lbs)	8
Dimensions (in)	23-5/8 x 23-5/8 x 7-15/16

**Fitting Properties:**

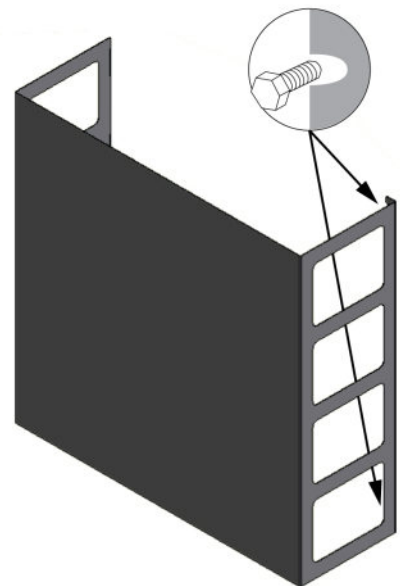
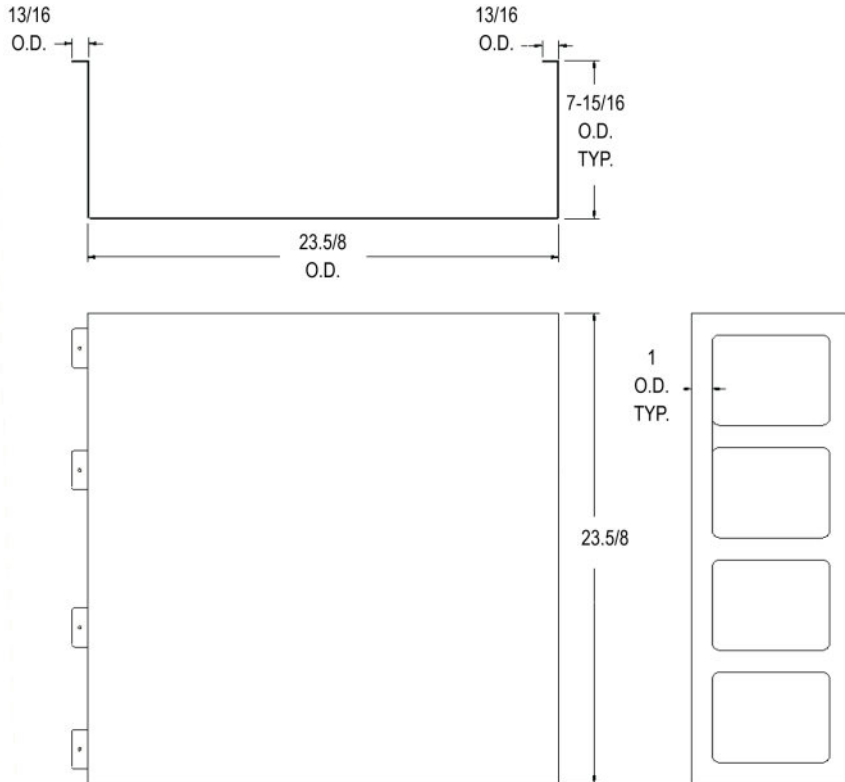
Color	Soft Dove Grey
Material	20 GA Paint Grip

**Compatible Outdoor Units:**

LSU243HLV3	LUU240HHV	LUU488HV*
LSU303HLV3	LMU180HHV	LUU360HHV*
LSU363HLV3	LMU240HHV	LUU420HHV*
LAU150HYV3	LMU300HHV	LUU480HHV*
LAU180HYV3	LMU30CHV	LMU360HHV*
LAU240HYV3	LMU36CHV	LMU420HHV*
LUU189HV	LUU369HV*	LMU480HV*
LUU249HV	LUU429HV*	LMU540HV*
LUU180HHV	LUU428HV*	LMU600HV*
	Multi V™ S*	*Requires x2 ZLABGP04A

**Standard Features:**

- Allows operation down to 0°F in cooling mode
- Compatible outdoor units are equipped with necessary fan speed control
- 4 zinc plated pan head phillips screws #8 x 1/2"



Unit = inch  
 Note: All dimensions are rounded up to the nearest fraction.

Date: 10/31/2023

For:  File  Resubmit  
 Approval  Other

PO No.:

Architect:

GC:

Engr: Pettit

Mech:

Rep: Airetech Corporation

Forrest Moseley

(Company)

(Project Manager)

# PREMTBVC2 MultiSITE CRC2 Remote Controller



**Electrical:**

Power Supply	12VDC power from indoor unit
--------------	------------------------------

**Surrounding Conditions:**

Temperature	
Operating	32-122 °F
Storage	-22-122 °F
Humidity	
Operating	5-95% RH (non-condensing)
Storage	0-95% RH (non-condensing)

**Features:**

- Customizable color digital touch screen interface with Multilanguage support
- BACnet® Wireless IP (optional)
- ZigBee® Pro Wireless network (optional)
- Role based configuration (password protected)
- Lua scripting
- Function code settings
- Function Code Search Tool
- Date and Time Display
- Room temperature display (-9 °F ~ +9 °F adjustable)
- Humidity Display (-15% ~ +15% adjustable)
- Operation - On/Off
- Mode - Auto/Cool/Dry/Heat/Fan Only
- Occupied cooling and heating temperature setpoints
- Unoccupied cooling and heating temperature setpoints
- 7 day scheduling with mode
- Fan speed - Auto/Low/Med/High/Power
- Discharge vanes - Auto/Swing/Fixed
- Static pressure installer setting

**Optional Accessories (sold separately):**

- PZCWRCG3 - Group Control Cable Kit
- PZCWRC1 - Extension Cable (for IDUs without terminal blocks)
- ZVRCZPWC2 - ZigBee® Pro Wireless Module<sup>3</sup>
- ZVRCZDWC1 - Wireless Door Window Contact<sup>3</sup>
- ZVRCZMTH1 - Wireless Ceiling Mounted Occupancy, Temperature and Humidity Sensor<sup>3</sup>
- ZVRCZWOC1 - Wireless Wall Mounted Occupancy Sensor<sup>3</sup>
- SEDCO2G5045 - Wireless CO2, Temperature & Humidity Sensor<sup>3</sup>
- ZVRCZTRH1 - Wireless Temperature & Humidity Sensor<sup>3</sup>
- ZVRCZWLS1- Wireless Water Leak Sensor<sup>3</sup>
- VCM8002V504 - Wi-Fi Module (BACnet Wireless IP)

**Notes:**

- 1.Available functions/features may differ based on connected system.
- 2.Communication cable can be extended to a maximum of 164 feet.
- 3.Up to 20 ZigBee® sensors can be connected to the MultiSITE CRC2 Remote Controller.
- 4.Must follow installation instructions in the applicable LG installation manual.

**Connectivity:**

LG Communications	1 Channel/RS-485 V-Net
BACnet® wireless IP (optional)	
ZigBee® Pro wireless mesh network (P) (optional)	

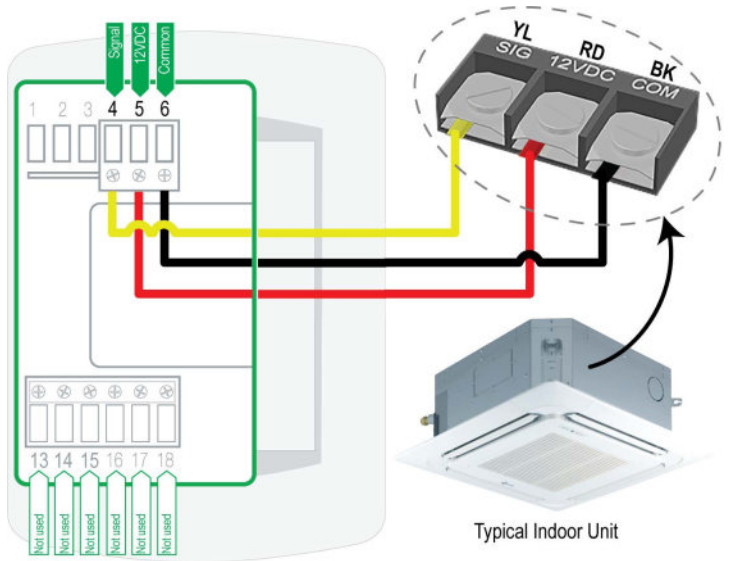
**Communications Cabling Specifications (V-Net):**

Type	3 conductor, stranded, twisted, unshielded
Size	AWG 22-3
Length <sup>2</sup>	up to 164 ft

AWG - American Wire Gage

**Unit Data:**

Dimensions	4.72" H x 3.39" W x 1.06" D
Maximum Number of Indoor Units (per controller)	16



TERMINAL	DESCRIPTION
4 (S)	Tx - Rx Communication
5 (12V)	12 Volts DC
6 (G)	Common

Note: Terminals 1, 2, 3, 13, 14, 15, 16, 17, and 18 are unused.

**PREMTBVC2**  
MultiSITE CRC2 Remote Controller

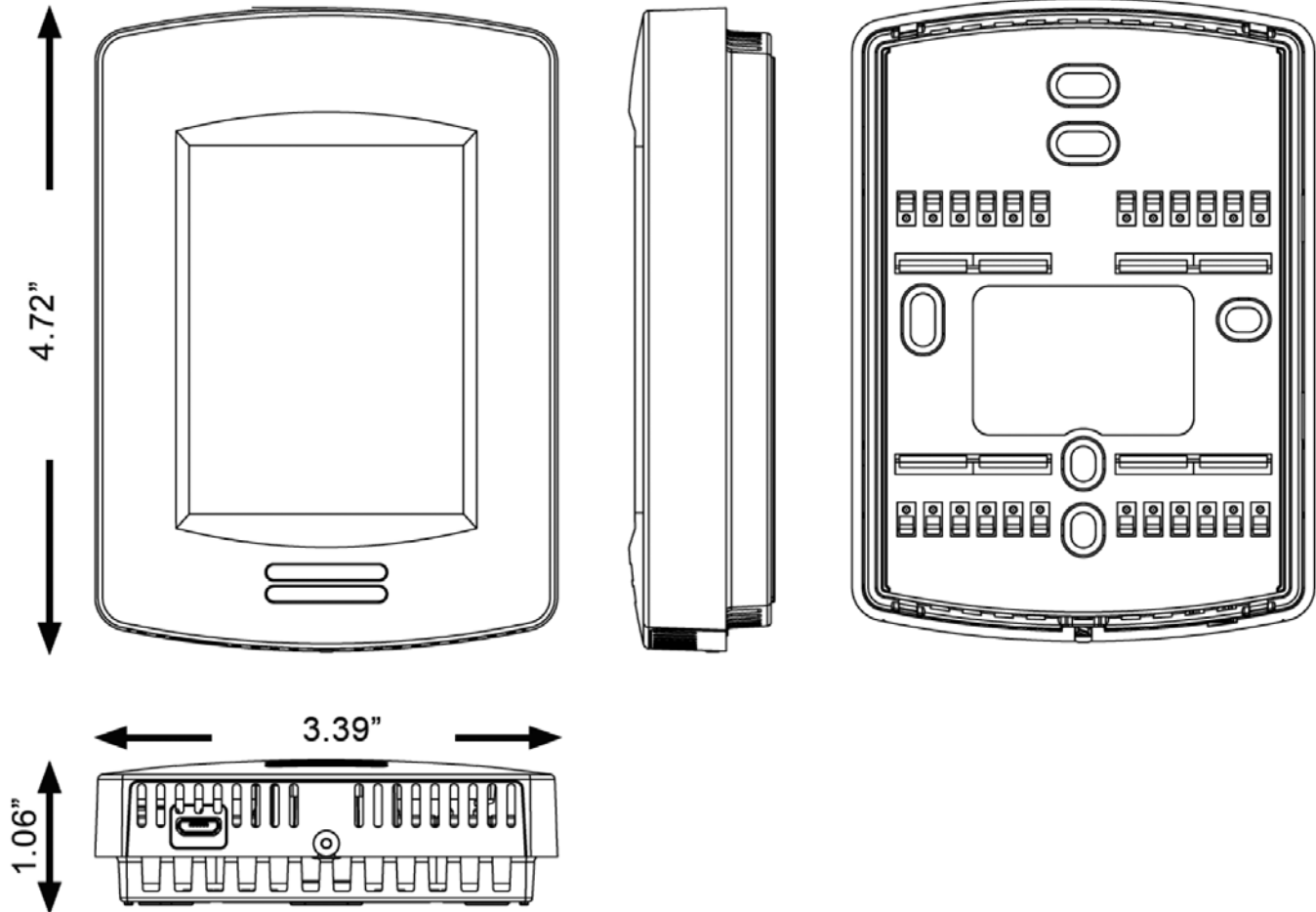


Tag #:

Date: 10/31/2023

PO No.:

Dimensions: 4.72"H x 3.39"W x 1.06"D





# PREMTBVC2 MultiSITE CRC2 Remote Controller



Tag #: \_\_\_\_\_

Date: 10/31/2023

PO No.: \_\_\_\_\_



**Note:** Long-press of the Fan Speed button when in cooling mode triggers Power Cooling mode. If in Power Cooling mode, segments surrounding fan icon turn purple and the text changes from "Fan" to "Power Cool." This mode lasts for 30 minutes with a setpoint of 64°F and then reverts back to the previous fan speed and setpoint.