



SUBMITTAL

PRODUCT	Gravity Ventilators
MANUFACTURER	Loren Cook
JOB NAME	Southside High & Junior High Additions
LOCATION	Southside, AR
ENGINEER	Lewis Architects Engineers
CONTRACTOR	Middleton, Inc.
DATE	7/26/2023
SUBMITTED BY	Courtney Michael

5440 Northshore Drive - North Little Rock, Arkansas 72118 - Tel: 501.374.5420 Fax: 501.370.9298



COOK

MARK: GEV-1,4,5,7

PROJECT: SOUTHSIDE HIGH SCHOOL AND JUNIOR HI...

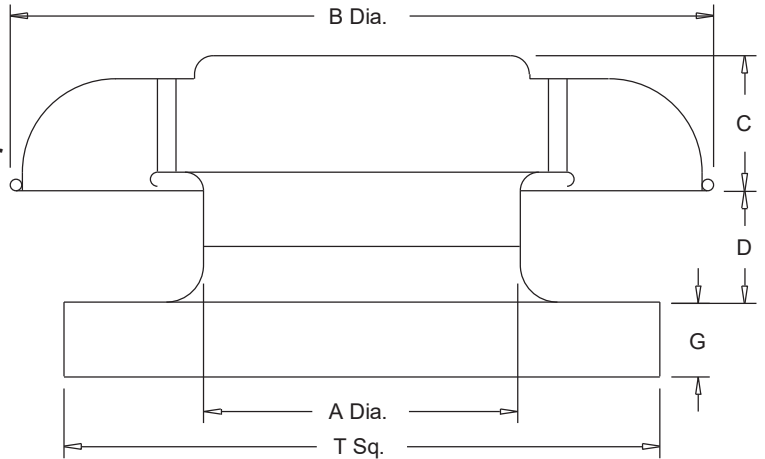
DATE: 7/24/2023

PR

Spun Aluminum Intake/Relief Ventilator

STANDARD CONSTRUCTION FEATURES:

All aluminum construction - Anti-backdraft flange - Five year warranty.



Performance

Qty	Catalog Number	Flow (CFM)	SP (inwc)
4	16 PR	917	.050

Altitude (ft): 1270 Temperature (F): 70

Accessories:

BD-22 DAMPER
ROOF CURB RCG 26 13.5H -C+T+N
BIRDSCREEN

Dimensions (inches)

A Dia.	16-1/2
B Dia.	27-3/4
C	5-1/16
D	5-1/2
G	2
T Sq.	28
Roof Open.	23-1/2

NOTE: Accessories may affect dimensions shown.

Weight(lbs)***	Shipping	72	Unit	66
----------------	----------	----	------	----

***Includes accessories.



BD

Gravity Backdraft Damper

STANDARD CONSTRUCTION FEATURES:

- .020 Aluminum blades - .060 aluminum frame -
- Aluminum hinge pins - Nylon bushings.

Notes:

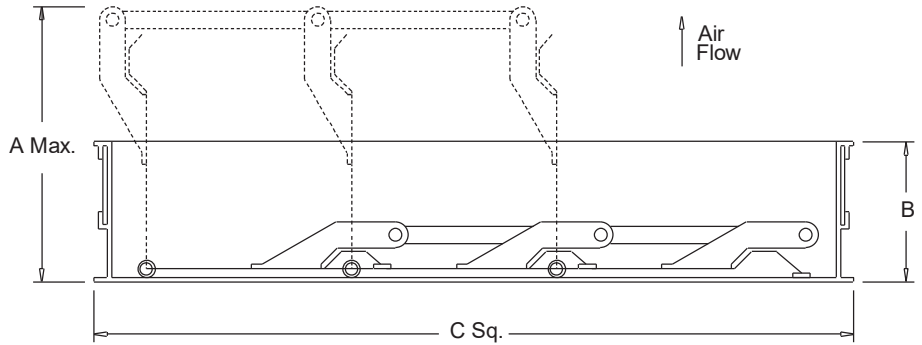
Max. operating temperature 200 Deg F (95 Deg C).

Max. discharge velocity 2000 fpm.

Sizes 36 thru 60 are shipped as 2 panels.

Sizes 66 and 78 are shipped as 6 panels.

These may require assembly.



Dimensions (inches)

Mark	Qty	Description	A Max.	B	C Sq.	# Panels
GEV-1,4,5,7	4	BD-22 DAMPER	5-3/16	1-7/8	21-3/4	1



RCG

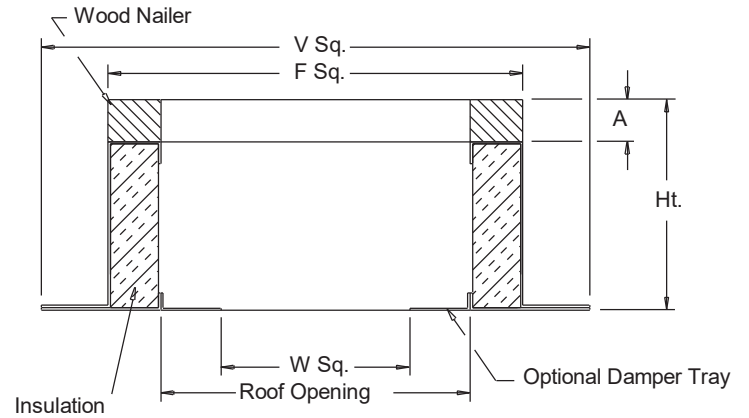
Galvanized Steel Roof Curb

STANDARD CONSTRUCTION FEATURES:

18 gauge galvanized steel - 1-1/2",
3 lbs. density thermal and acoustical
insulation - Continuously welded corners -
Wood nailer.

Options:(As noted below*)

- 1) No wood nailer (deduct 1-1/2" for actual height).
- 2) Damper tray.
- 3) Liner.
- 4) Gasket on wood nailer.
- 5) Lorenized coating.
- 6) Enamel coating.
- 7) Burglar bars.



Dimensions (inches)

Mark	Qty	Description	Ht	Options*	A	F Sq.	V Sq.	W Sq.	Roof Opening
GEV-1,4,5,7	4	RCG 26	13.5	2;	1-1/2	26-1/2	30-1/2	19-3/4	23-1/2



COOK

MARK: GEV-2,3

PROJECT: SOUTHSIDE HIGH SCHOOL AND JUNIOR HI...

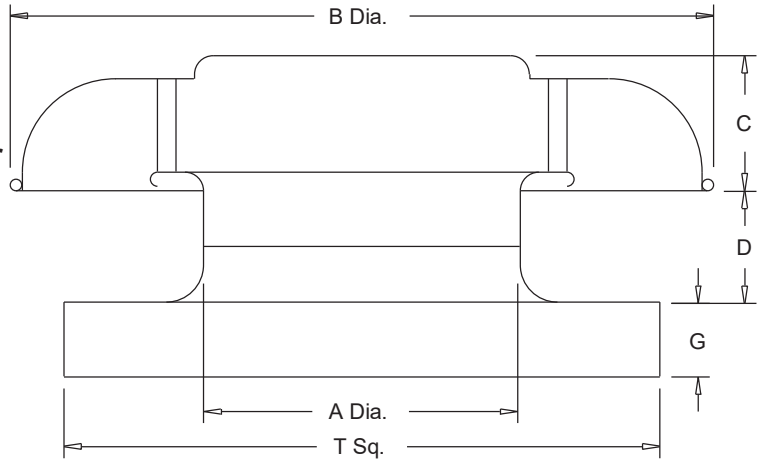
DATE: 7/24/2023

PR

Spun Aluminum Intake/Relief Ventilator

STANDARD CONSTRUCTION FEATURES:

All aluminum construction - Anti-backdraft flange - Five year warranty.



Performance

Qty	Catalog Number	Flow (CFM)	SP (inwc)
2	8 PR	247	.050

Altitude (ft): 1270 Temperature (F): 70

Accessories:

BD-12 DAMPER
ROOF CURB RCG 16 13.5H -C+T+N
BIRDSCREEN

Dimensions (inches)

A Dia.	8-5/8
B Dia.	18-3/4
C	4-5/8
D	3-1/2
G	2
T Sq.	18
Roof Open.	13-1/2

NOTE: Accessories may affect dimensions shown.

Weight(lbs)***	Shipping	39	Unit	35
----------------	----------	----	------	----

***Includes accessories.



BD

Gravity Backdraft Damper

STANDARD CONSTRUCTION FEATURES:

- .020 Aluminum blades - .060 aluminum frame -
- Aluminum hinge pins - Nylon bushings.

Notes:

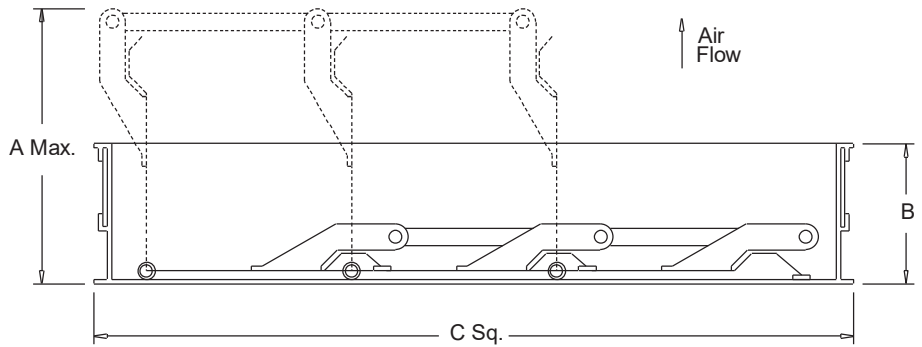
Max. operating temperature 200 Deg F (95 Deg C).

Max. discharge velocity 2000 fpm.

Sizes 36 thru 60 are shipped as 2 panels.

Sizes 66 and 78 are shipped as 6 panels.

These may require assembly.



Dimensions (inches)

Mark	Qty	Description	A Max.	B	C Sq.	# Panels
GEV-2,3	2	BD-12 DAMPER	5-3/16	1-7/8	11-3/4	1



RCG

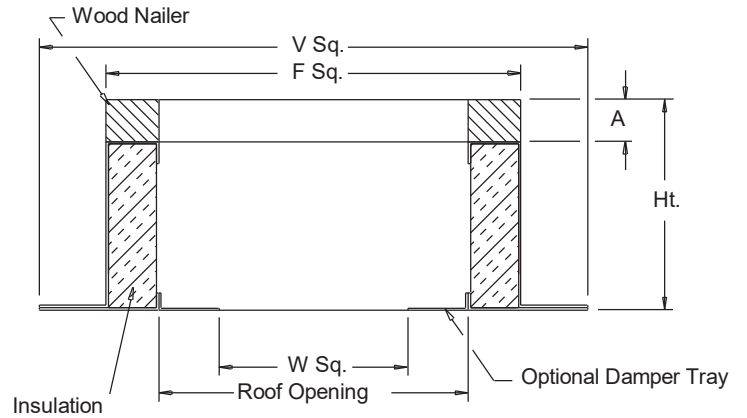
Galvanized Steel Roof Curb

STANDARD CONSTRUCTION FEATURES:

18 gauge galvanized steel - 1-1/2",
 3 lbs. density thermal and acoustical insulation - Continuously welded corners - Wood nailer.

Options:(As noted below*)

- 1) No wood nailer (deduct 1-1/2" for actual height).
- 2) Damper tray.
- 3) Liner.
- 4) Gasket on wood nailer.
- 5) Lorenized coating.
- 6) Enamel coating.
- 7) Burglar bars.



Dimensions (inches)

Mark	Qty	Description	Ht	Options*	A	F Sq.	V Sq.	W Sq.	Roof Opening
GEV-2,3	2	RCG 16	13.5	2;	1-1/2	16-1/2	20-1/2	9-3/4	13-1/2



COOK

MARK: GEV-6

PROJECT: SOUTHSIDE HIGH SCHOOL AND JUNIOR HI...

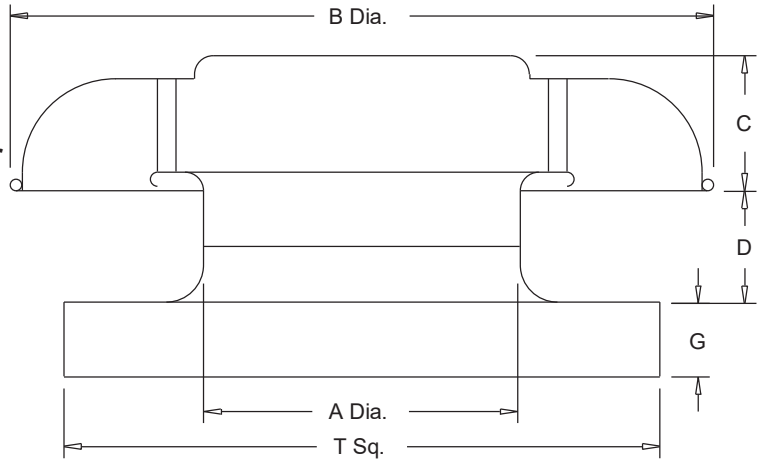
DATE: 7/24/2023

PR

Spun Aluminum Intake/Relief Ventilator

STANDARD CONSTRUCTION FEATURES:

All aluminum construction - Anti-backdraft flange - Five year warranty.



Performance

Qty	Catalog Number	Flow (CFM)	SP (inwc)
1	12 PR	519	.050

Altitude (ft): 1270 Temperature (F): 70

Accessories:

BD-14 DAMPER
ROOF CURB RCG 18 13.5H -C+T+N
BIRDSCREEN

Dimensions (inches)

A Dia.	12-1/2
B Dia.	27-3/4
C	5-1/16
D	3-1/2
G	2
T Sq.	20
Roof Open.	15-1/2

NOTE: Accessories may affect dimensions shown.

Weight(lbs)***	Shipping	52	Unit	46
----------------	----------	----	------	----

***Includes accessories.



BD

Gravity Backdraft Damper

STANDARD CONSTRUCTION FEATURES:

- .020 Aluminum blades - .060 aluminum frame -
- Aluminum hinge pins - Nylon bushings.

Notes:

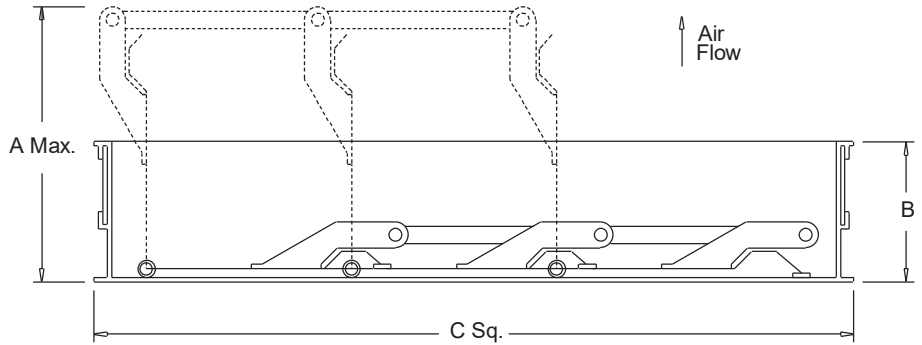
Max. operating temperature 200 Deg F (95 Deg C).

Max. discharge velocity 2000 fpm.

Sizes 36 thru 60 are shipped as 2 panels.

Sizes 66 and 78 are shipped as 6 panels.

These may require assembly.



Dimensions (inches)

Mark	Qty	Description	A Max.	B	C Sq.	# Panels
GEV-6	1	BD-14 DAMPER	5-3/16	1-7/8	13-3/4	1



RCG

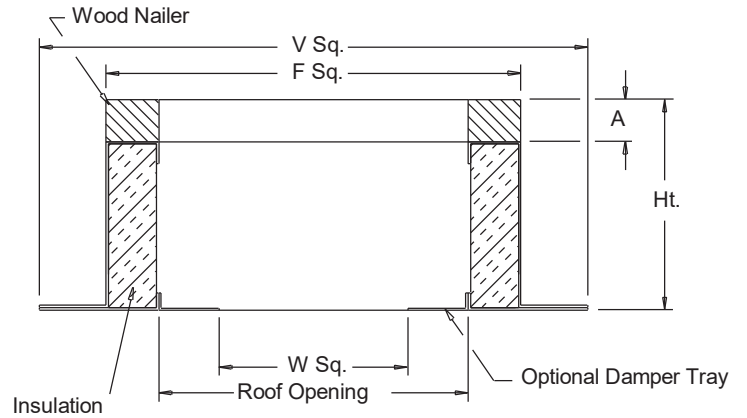
Galvanized Steel Roof Curb

STANDARD CONSTRUCTION FEATURES:

18 gauge galvanized steel - 1-1/2",
 3 lbs. density thermal and acoustical
 insulation - Continuously welded corners -
 Wood nailer.

Options:(As noted below*)

- 1) No wood nailer (deduct 1-1/2" for actual height).
- 2) Damper tray.
- 3) Liner.
- 4) Gasket on wood nailer.
- 5) Lorenized coating.
- 6) Enamel coating.
- 7) Burglar bars.



Dimensions (inches)

Mark	Qty	Description	Ht	Options*	A	F Sq.	V Sq.	W Sq.	Roof Opening
GEV-6	1	RCG 18	13.5	2;	1-1/2	18-1/2	22-1/2	11-3/4	15-1/2