

*Quality People. Building Solutions.*

Comfort Systems USA (Arkansas), Inc.  
P.O. Box 16620  
Little Rock, AR 72231  
Phone 501-834-3320  
Fax 501-834-5416

**Date:** 11/28/2023

**Return Request:** 12/5/2023

**Project:** MAC Building – 4<sup>th</sup> Floor

**Supplier:** Falk Supply

**Manufacturer:** Various

**Submittal:** Plumbing Fixtures

**Submittal Number:** 22 40 00-01

**Drawing # and Installation:** Plumbing Drawings

**ARCHITECT**

Stocks Mann  
401 W. Capitol, Suite 402  
Little Rock, AR 72201  
501-370-9207

**ENGINEER**

Insight  
322 S. State Street, Suite 201  
Little Rock, AR 72201  
501-237-3077

**GENERAL CONTRACTOR**

Carson & Associates  
1310 W. Daisy Bates Dr.  
Little Rock, AR 72202  
501-372-5816

**MECHANICAL SUBCONTRACTOR**

Comfort Systems USA (Arkansas), Inc.  
9924 Landers Rd.  
N. Little Rock, AR 72117  
501-834-3320

Notes:

[chowell@comfortar.com](mailto:chowell@comfortar.com)

9924 Landers Rd.  
No. Little Rock, AR 72117



223 THIRD STREET, HOT SPRINGS, AR  
(501) 321-1231 FAX (501) 321-4015

DATE – NOVEMBER 28, 2023

## **SUBMITTAL FOR MATERIAL**

### **JOB NAME**

**MAC BUILDING 4<sup>TH</sup> FLOOR  
LITTLE ROCK, AR**

### **PLUMBING CONTRACTOR**

**COMFORT SYSTEMS  
LITTLE ROCK, AR**

WHOLESALE  
PLUMBING & INDUSTRIAL SUPPLIES

WC-1, WC-2

**CODE NUMBER**

2172459

**DESCRIPTION**

Vitreous China Wall-Mounted Water Closet with SloanTec® Glaze.

**DETAILS**

- Flush Volume: 1.1-1.6 gpf (4.2-6.0 Lpf)
- Flush volume determined by the flushometer used with the fixture
- Rim Height: 13 ¼"-17" (337-432mm)
- Nominal Dimensions: 26 ¾" x 15" x 13 ¼" (679 x 381 x 337mm)

**FEATURES**

- **White Vitreous China**
- Permanent SloanTec® hydrophobic antimicrobial glaze inhibits the growth and buildup of germs, bacteria, mold, mildew and mineral scale on the surfaces
- Elongated bowl
- **Wall mounted, wall outlet**
- Siphon jet flushing action achieves 1000g Map score when used with any Sloan flushometer
- Static load rating of 750 lbs (see Notes)
- Water spot area: 10½" x 9⅜" (26 cm x 24 cm)
- **1½" I.P.S. top spud inlet**
- 2½" fully glazed trapway
- Toilet seat not included
- Static load rating of 750 lbs. (See Notes)

**RECOMMENDED SEATS**

- Bemis - 1955CT/1955SSCT & 2155CT/2155SSCT
- Church - 295CT/295SSCT & 2155CT/2155SSCT

**PLUMBING SYSTEM REQUIREMENTS**

- Minimum Flowing Pressure: 25 PSI (172 kPa)
- Maximum Static Pressure: 80 PSI (552 kPa)

**DOWNLOADS**

- [ST-2459 Installation Instructions](#)
- [SS/ST/SU/WETS/WEUS Fixtures Repair and Maintenance Guide](#)
- [Additional Downloads](#)



**COMPLIANCES & CERTIFICATIONS**



(ADA Compliant, BAA Compliant, BREEAM Materials Credit, cUPC Certified, EPD, Green Globes Materials & Resources Credit, HPD, LEED Materials & Resources EPD Credit, LEED Materials & Resources HPD Credit, WaterSense Listed, Satisfies LEED Credits, WELL Building Standard)

**NOTES**

All information contained within this document subject to change without notice.

All vitreous china dimensions shown in these drawings are nominal and not to scale. Dimensions can vary within the tolerances established in the governing ASME A112.19.2/CSA B45.1 standard. It is important to consider this when planning rough-in and plumbing layouts.

Static load tested according to the procedure outlined in Section 6.7 of ASME A112.19.2. Not recommended for bariatric use.

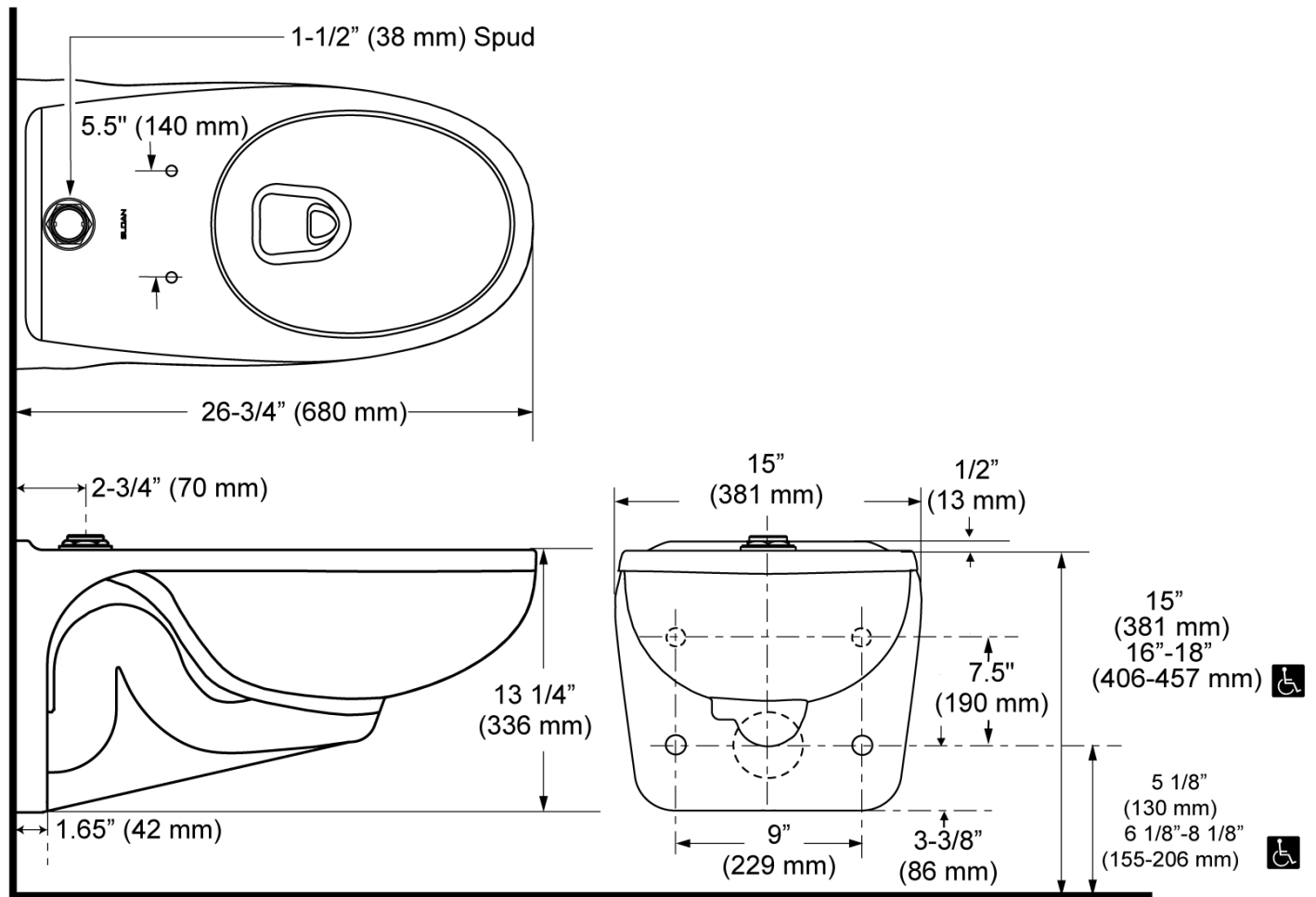
[Find a compatible flushometer](#) for this water closet.

WaterSense compliant when used with a WaterSense compliant flushometer

**WARRANTY**

[View Warranty Information](#)

**ROUGH-IN**



Sloan 10500 Seymour Ave, Franklin Park, IL 60131  
Phone: 800.982.5839 • Fax: 800.447.8329 • [sloan.com](http://sloan.com)

**CODE NUMBER**

3780010

**DESCRIPTION**

1.6 gpf, Dual-Filtered Fixed Bypass Diaphragm, Polished Chrome Finish, Fixture Connection Top Spud, Single Flush, Sloan® Exposed Manual Water Closet Flushometer.

**DETAILS**

- Flush Volume: 1.6 gpf (6.0 Lpf)
- Finish: Polished Chrome (CP)
- Valve: Diaphragm
- Bypass: Dual-Filtered Fixed Bypass Diaphragm
- Valve Body Material: Semi-red Brass
- Fixture Type: Water Closet
- Fixture Connection: Top Spud
- Rough-In Dimension: 11 ½" (292mm)
- Spud Coupling: 1 ½" (38mm)
- Supply Pipe: 1" (25mm)

**FEATURES**

- High Chloramine Resistant PERMEX® Synthetic Rubber DFB Dual Filtered Bypass Diaphragm
- 1" I.P.S. Screwdriver Bak-Chek® Angle Stop with Vandal Resistant Stop Cap
- Vacuum Breaker with Flush Connection
- Spud Coupling and Spud Flange for 1½" Top Spud
- Sweat Solder Adapter with Cover Tube and Cast Wall Flange
- Non-Hold-Open Handle and No External Volume Adjustment to Ensure Water Conservation
- Diaphragm, Handle Packing and Vacuum Breaker Molded from PERMEX® Rubber Compound for Chloramine Resistance
- ADA Compliant Metal Oscillating Non-Hold-Open Handle

**COMPLIANCES & CERTIFICATIONS**

(ADA Compliant, BAA Compliant, cUPC Certified, UL Certified, Made in the USA)

**RECOMMENDED SPECIFICATION**

Valve Body, Cover, Tailpiece and Control Stop shall be in conformance with ASTM Alloy Classification for Semi- Red Brass. Valve shall be in compliance with the applicable sections of ASSE 1037 and ANSI/ASME 112.19.2.

**VALVE OPERATING PRESSURE (FLOWING)**

15–80 PSI (103–552 kPa). Specific fixtures may require greater minimum flowing pressure - consult manufacturer requirements.

**DOWNLOADS**

- [Sloan Exposed Installation Instructions](#)
- [Sloan Exposed \(Spanish\) Installation Instructions](#)
- [Control Stop Repair and Maintenance Guide](#)
- [Flush Connections Flanges Repair and Maintenance Guide](#)
- [Tail Piece Repair and Maintenance Guide](#)
- [Sloan Flushometer Repair and Maintenance Guide](#)
- [Sloan/Regal ESS Repair and Maintenance Guide](#)
- [Flushometer Pressure gauges](#)
- [Additional Downloads](#)

**NOTES**

All information contained within this document subject to change without notice.

Looking for other variations of the SLOAN 111 product? [View the general spec sheet with all options.](#)

[Find a compatible urinal](#) for this flushometer.

[Find a compatible water closet](#) for this flushometer.

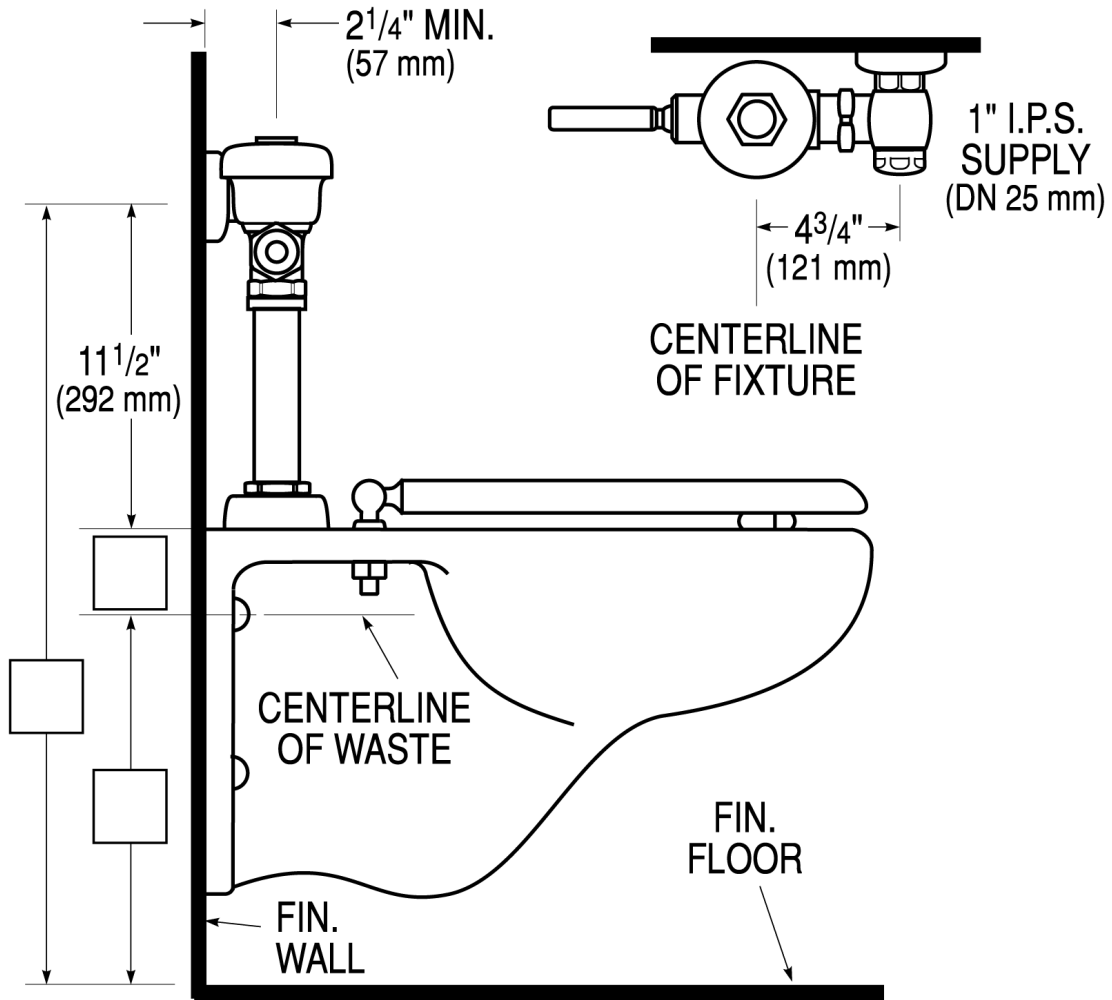
**WARRANTY**

[View Warranty Information](#)

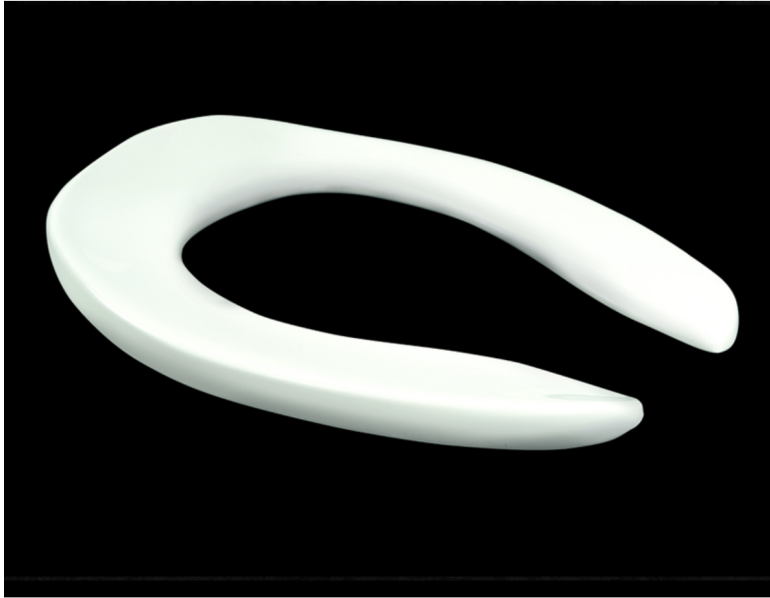
Sloan 10500 Seymour Ave, Franklin Park, IL 60131

Phone: 800.982.5839 • Fax: 800.447.8329 • [sloan.com](http://sloan.com)

**ROUGH-IN**



Sloan 10500 Seymour Ave, Franklin Park, IL 60131  
 Phone: 800.982.5839 • Fax: 800.447.8329 • [sloan.com](http://sloan.com)

**COMMERCIAL HEAVY DUTY**

**Product Specifications**

<b>Shape</b>	Elongated
<b>Seat Material</b>	Polypropylene
<b>Seat Form</b>	Open front
<b>Commercial Hinge</b>	Yes
<b>Bolt Material</b>	Stainless steel
<b>Hardware Material</b>	FAST-N-LOCK
<b>Check Hinge</b>	Yes
<b>Cover</b>	No
<b>Custom Gasket</b>	No
<b>Color</b>	White

**Warranty** 1 year limited warranty

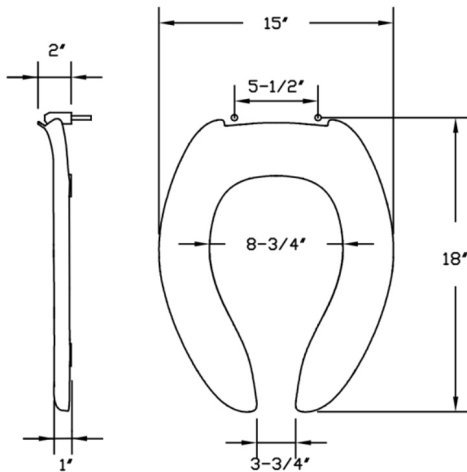
**Available Colors** White,

**Features**
**FAST-N-LOCK**

Centoco's new patented FAST-N-LOCK Mounting System takes the guessing out when tightening the hardware. The specially designed fasteners "click" when the appropriate torque is reached. This feature largely reduces the chance of getting call backs from customers for seats that have become loose over time.

**Commercial Hinge**

Includes commercial grade hinges. One piece solid metal hinge pin and bolt over molded with plastic.

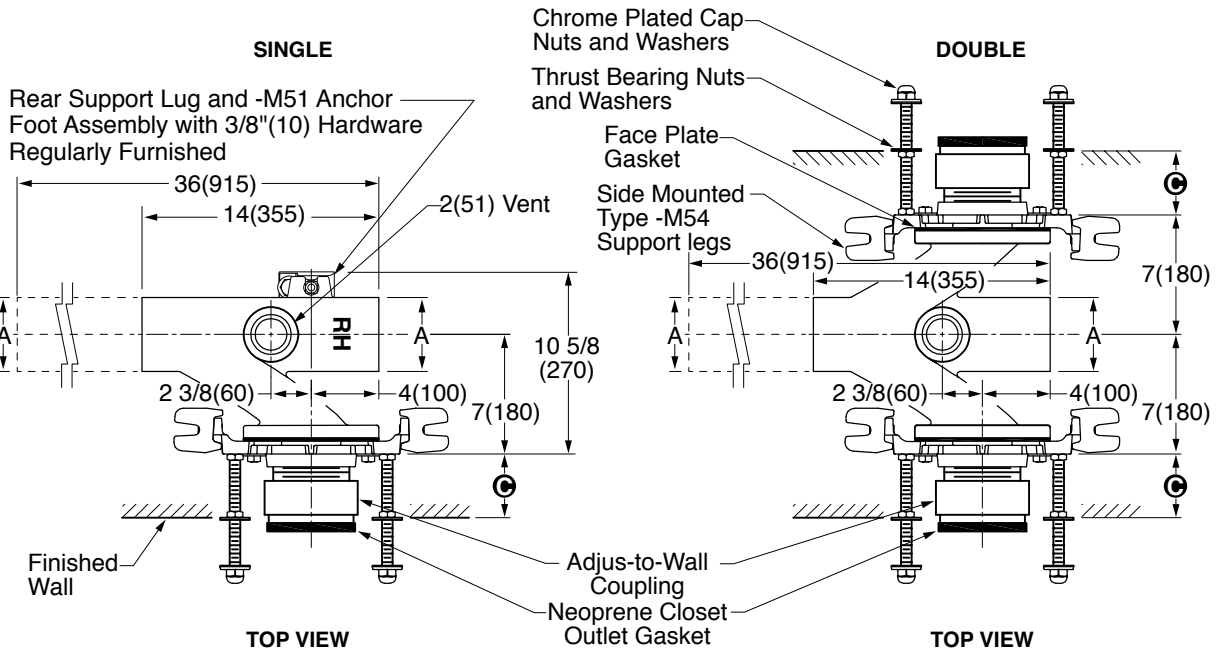


Dimensions shown are nominal and may vary within a range of tolerance. Product specifications are subject to change without notice.



**CARRIER**

# ADJUSTABLE FIXTURE SUPPORTS FOR SIPHON JET WATER CLOSETS



DRAWING NUMBER  
s0211Y, 0221Y (-M54)

SIZE  
A

SCALE:  
NONE

DATE:  
4-3-12

APPROVED BY:  
JM

CHECKED BY:  
AM

DRAWN BY:  
CR

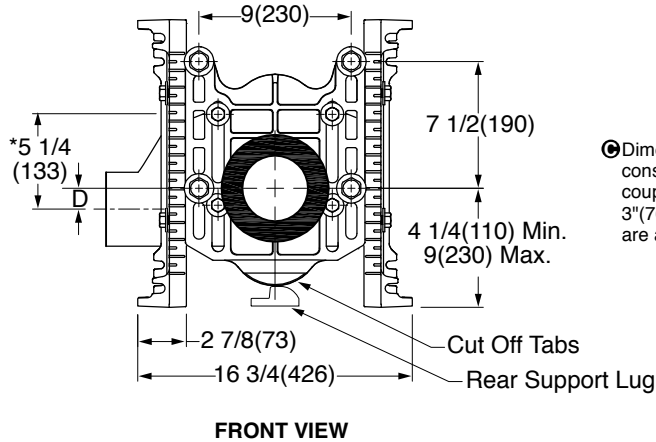
0211Y (-M54)  
0221Y (-M54)

WE CAN ASSUME NO RESPONSIBILITY FOR USE OF SUPERSEDED OR VOID DATA

DIMENSIONS ARE SUBJECT TO MANUFACTURERS TOLERANCE AND CHANGE WITHOUT NOTICE

**NOTES:**

1. Base Support must be securely anchored to the floor (with one 1/2\"(13) bolt per base support provided by installer.)
2. All single supports shall have the rear support lug anchored by contractor to assure a rigid installation. The rear support completes the 3 point anchoring system for ultimate stability of the installation.
3. Dimensions shown in parentheses are in millimeters.
4. \*Dimension to top of vent.



A SIZE	D	
	MIN	MAX
4(100)	5/8(16)	3 3/8(87)

⊕ Dimension = 4\"(100) (Regularly Furnished) consisting of nipple and Adjus-to-Wall coupling permitting adjustment from 3\"(76) min. to 4\"(100) max. Longer nipples are available, specify ⊕ dimension.

**NOTE:** Cast Iron Components are Duco Coated.

- Fig. 0211LY (-M54) ..... NO-HUB Left Hand
- Fig. 0211RY (-M54) ..... NO-HUB Right Hand
- Fig. 0211DY (-M54) ..... NO-HUB Double
- Fig. 0221LY (-M54) ..... NO-HUB Left Hand Long Barrel
- Fig. 0221RY (-M54) ..... NO-HUB Right Hand Long Barrel
- Fig. 0221DY (-M54) ..... NO-HUB Double Long Barrel

Conforms with the requirements of ASME A112.6.1M up to a 500 lbs (227kg) static load rating.

F	12-7-22	Added Note	KK	CL	WEIGHT POUNDS	VOLUME CUBIC FEET	<b>FIGURE NUMBER</b> <b>0211Y (-M54)</b> <b>0221Y (-M54)</b>
E	7-6-17	Added Note	TBW	JM			
D	9-21-15	Revised Callout	TBW	CL			
C	10-27-14	Added 0221Y (-M54)	TBW	CL			
REV.	DATE	DESCRIPTION	BY	CKD. BY			

**ADJUSTABLE FIXTURE SUPPORTS**  
**FOR SIPHON JET WATER CLOSETS - SHALLOW ROUGH-IN TYPE**

DRAWING NUMBER  
S0230

SIZE  
A

SCALE:  
NONE

DATE:  
2-28-86

APPROVED BY:

CHECKED BY:  
CR

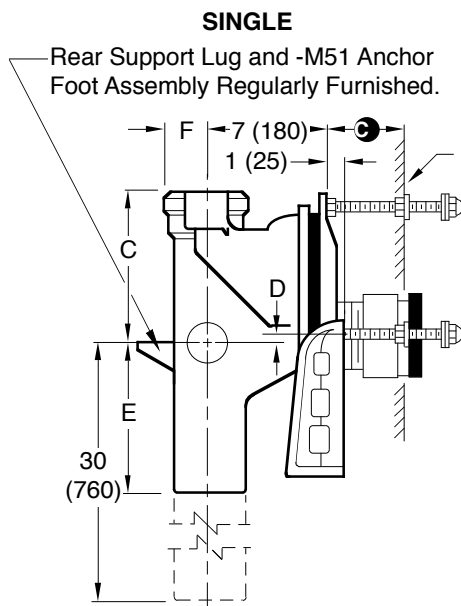
DRAWN BY:  
CM

0230,0260

FIGURE NUMBER

WE CAN ASSUME NO RESPONSIBILITY FOR USE OF SUPERSEDED OR VOID DATA

DIMENSIONS ARE SUBJECT TO MANUFACTURERS TOLERANCE AND CHANGE WITHOUT NOTICE

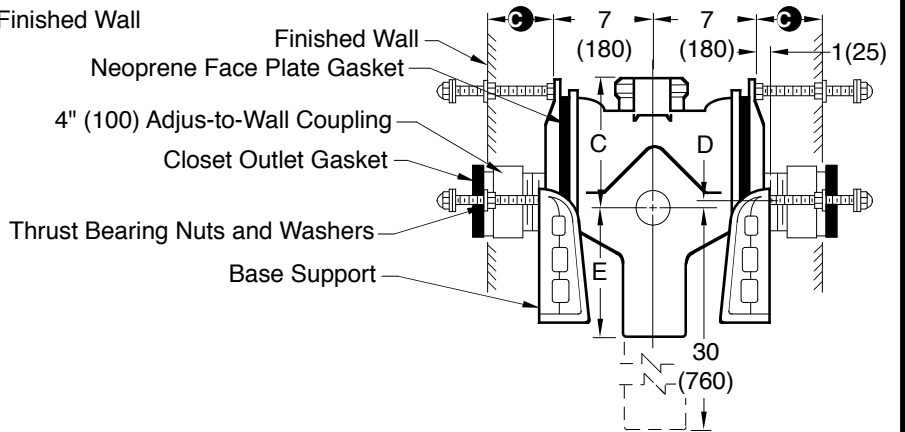


**Fig. 0230 Side View**

**NOTE:** Base support must be securely anchored to floor (with four 1/2" (13) bolts provided by contractor).

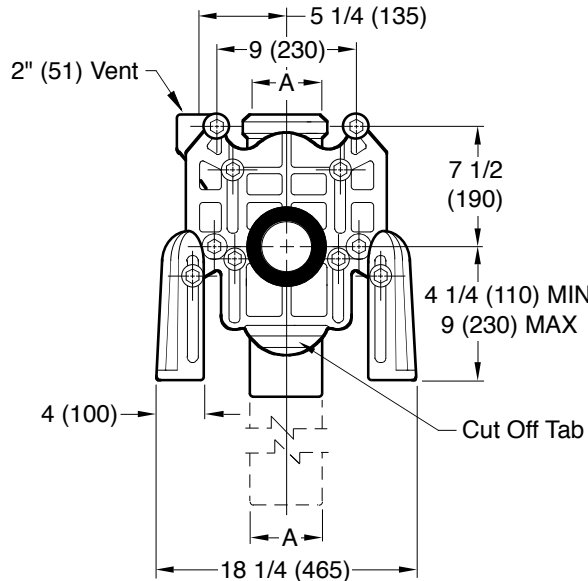
**NOTE:** 1 1/2 (38) or 2 (51) NPT Inlet available. Add suffix -N

**VERTICAL FITTINGS**



**Fig. 0230D Side View**

The water closet gasket regularly furnished is made of molded neoprene and designed to fit water closet outlet dimensions and configurations shown in ANSI Standard A112.19.2M-1995, Figure 13B. If gasket is not found to be compatible to fixture due to nonconformance of said fixture to ANSI A112.19.2M, then fixture manufacturer shall be consulted for a suitable gasket recommendation. Jay R. Smith assumes no liability for connections to fixtures which do not conform to these standards.



**Front View**

**NOTE:** Dimensions shown in parentheses are in millimeters.

- Fig. 0230 . . . CAULK
- Fig. 0230D . . . CAULK Double
- Fig. 0260 . . . CAULK Long Barrel
- Fig. 0260D . . . CAULK Double Long Barrel

**⊙** dimension = 4" (100) (regularly furnished) consisting of nipple and Adjus-to-Wall coupling permitting adjustment from 3" (76) min. to 4" (100) max.

A SIZE	C	D		E	F
		MIN	MAX		
4 (100)	9 (230)	1 1/2 (38)	4 1/4 (110)	10 (255)	3 (76)
5 (125)	11 1/2 (290)	1 1/2 (38)	4 1/4 (110)	11 1/2 (290)	3 1/2 (89)
6 (150)	11 1/2 (290)	1 1/2 (38)	4 1/4 (110)	11 1/2 (290)	4 (100)

Conforms with the requirements of ASME A112.6.1M up to a 500 lbs (227kg) static load rating.

REV.	DATE	DESCRIPTION	BY	CKD. BY	WEIGHT POUNDS	VOLUME CUBIC FEET
L	12-7-22	Added Note	KK	CL		
K	10/09/99	Deleted Note	JJ	BS		
J	7-1-98	Submittal Update	ASL	BS		
H	1-23-98	Cha'd Note	EMB	BS		

**FIGURE NUMBER**  
**0230,0260**

UR-1

**CODE NUMBER**

1101009

**DESCRIPTION**

Vitreous China Washdown Urinal.

**DETAILS**

- Flush Volume: 0.125–1.0 gpf (0.5–3.8 Lpf)
- Flush volume determined by the flushometer used with the fixture
- Nominal Dimensions: 14 ¼" × 17 ¼" × 25 ½" (362 × 438 × 648mm)

**FEATURES**

- White Vitreous China
- Washdown flushing action
- Integral flushing rim
- ¾" I.P.S. top spud inlet
- 2" NPT outlet flange
- Vandal resistant strainer assembly included
- All mounting hardware included
- 100% factory flush tested

**PLUMBING SYSTEM REQUIREMENTS**

- Maximum Static Pressure: 80 PSI (552 kPa)
- Maximum Flow Rate: 8.5 gpm (32.2 Lpm)

**DOWNLOADS**

- [Standard Spud Urinal Installation Instructions](#)
- [SS/ST/SU/WETS/WEUS Fixtures Repair and Maintenance Guide](#)
- [Additional Downloads](#)

**COMPLIANCES & CERTIFICATIONS**

(ADA Compliant, BREEAM Materials Credit, CalGreen Compliant, Carbon Neutral, CEC Compliant, cUPC Green Certified, EPD, Green Globes Materials & Resources Credit, HPD, LEED Materials & Resources EPD Credit, LEED Materials & Resources HPD Credit, WaterSense Listed, Satisfies LEED Credits)

**NOTES**

All information contained within this document subject to change without notice.

All vitreous china dimensions shown in these drawings are nominal and not to scale. Dimensions can vary within the tolerances established in the governing ASME A112.19.2/CSA B45.1 standard. It is important to consider this when planning rough-in and plumbing layouts.

WaterSense compliant when used with a WaterSense compliant flushometer.

[Find a compatible flushometer](#) for this urinal.

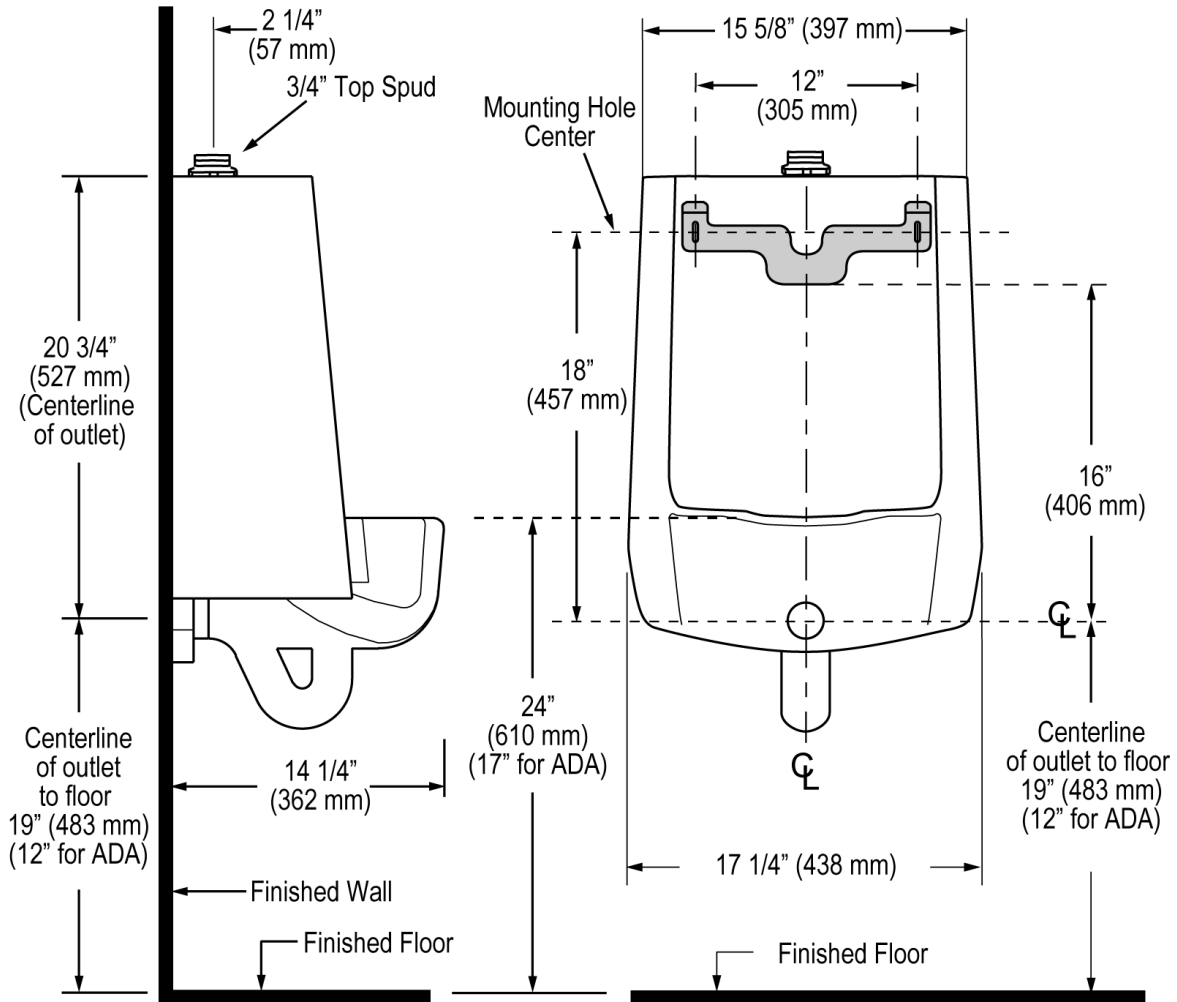
**WARRANTY**

[View Warranty Information](#)

Sloan 10500 Seymour Ave, Franklin Park, IL 60131

Phone: 800.982.5839 • Fax: 800.447.8329 • [sloan.com](http://sloan.com)

**ROUGH-IN**



NOTE: ADA urinal rim height requirements allow all heights 17" and below. Sloan strongly recommends roughing in the drain to achieve a 16½" rim height or less to ensure compliance.

**CODE NUMBER**

3782630

**DESCRIPTION**

1.0 gpf, Dual-Filtered Fixed Bypass Diaphragm, Polished Chrome Finish, Fixture Connection Top Spud, Single Flush, Sloan® Exposed Manual Urinal Flushometer.

**DETAILS**

- Flush Volume: 1.0 gpf (3.8 Lpf)
- Finish: Polished Chrome (CP)
- Valve: Diaphragm
- Bypass: Dual-Filtered Fixed Bypass Diaphragm
- Valve Body Material: Semi-red Brass
- Fixture Type: Urinal
- Fixture Connection: Top Spud
- Rough-In Dimension: 11 ½" (292mm)
- Spud Coupling: ¾" (19mm)
- Supply Pipe: ¾" (19mm)

**FEATURES**

- PERMEX® Synthetic Rubber Diaphragm with Dual Filtered Fixed Bypass/li>
- ¾" I.P.S. Screwdriver Bak-Chek® Angle Stop with Vandal Resistant Stop Cap
- Vacuum Breaker with Flush Connection
- Spud Coupling and Spud Flange for ¾" Top Spud
- Sweat Solder Adapter with Cover Tube and Cast Wall Flange
- Non-Hold-Open Handle and No External Volume Adjustment to Ensure Water Conservation
- Diaphragm, Handle Packing and Vacuum Breaker Molded from PERMEX® Rubber Compound for Chloramine Resistance
- ADA Compliant Metal Oscillating Non-Hold-Open Handle

**COMPLIANCES & CERTIFICATIONS**

(ADA Compliant, BAA Compliant, cUPC Certified, Made in the USA)

**RECOMMENDED SPECIFICATION**

Valve Body, Cover, Tailpiece and Control Stop shall be in conformance with ASTM Alloy Classification for Semi- Red Brass. Valve shall be in compliance with the applicable sections of ASSE 1037 and ANSI/ASME 112.19.2.

**VALVE OPERATING PRESSURE (FLOWING)**

15–80 PSI (103–552 kPa). Specific fixtures may require greater minimum flowing pressure - consult manufacturer requirements.

**DOWNLOADS**

- [Sloan Exposed Installation Instructions](#)
- [Sloan Exposed \(Spanish\) Installation Instructions](#)
- [Control Stop Repair and Maintenance Guide](#)
- [Flush Connections Flanges Repair and Maintenance Guide](#)
- [Tail Piece Repair and Maintenance Guide](#)
- [Sloan Flushometer Repair and Maintenance Guide](#)
- [Flushometer Pressure gauges](#)
- [Additional Downloads](#)

**NOTES**

All information contained within this document subject to change without notice.

Looking for other variations of the SLOAN 186 product? [View the general spec sheet with all options.](#)

[Find a compatible urinal](#) for this flushometer.

[Find a compatible water closet](#) for this flushometer.

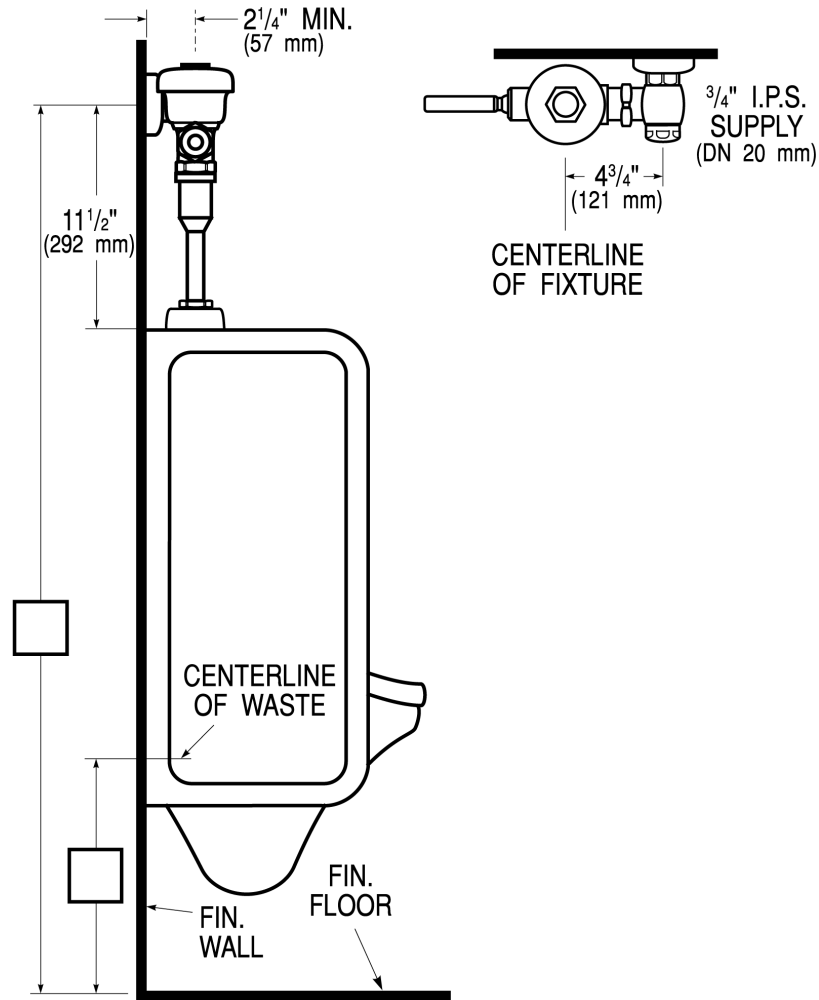
**WARRANTY**

[View Warranty Information](#)

Sloan 10500 Seymour Ave, Franklin Park, IL 60131

Phone: 800.982.5839 • Fax: 800.447.8329 • [sloan.com](http://sloan.com)

**ROUGH-IN**



Sloan 10500 Seymour Ave, Franklin Park, IL 60131  
 Phone: 800.982.5839 • Fax: 800.447.8329 • [sloan.com](http://sloan.com)



**CARRIER**

M



**JAY R. SMITH MFG. CO.®**  
 MEMBER OF MORRIS GROUP INTERNATIONAL  
 POST OFFICE BOX 3237  
 MONTGOMERY, ALABAMA 36109-0237 (USA)  
 TEL: 334-277-8520 FAX: 334-272-7396 www.jrsmith.com

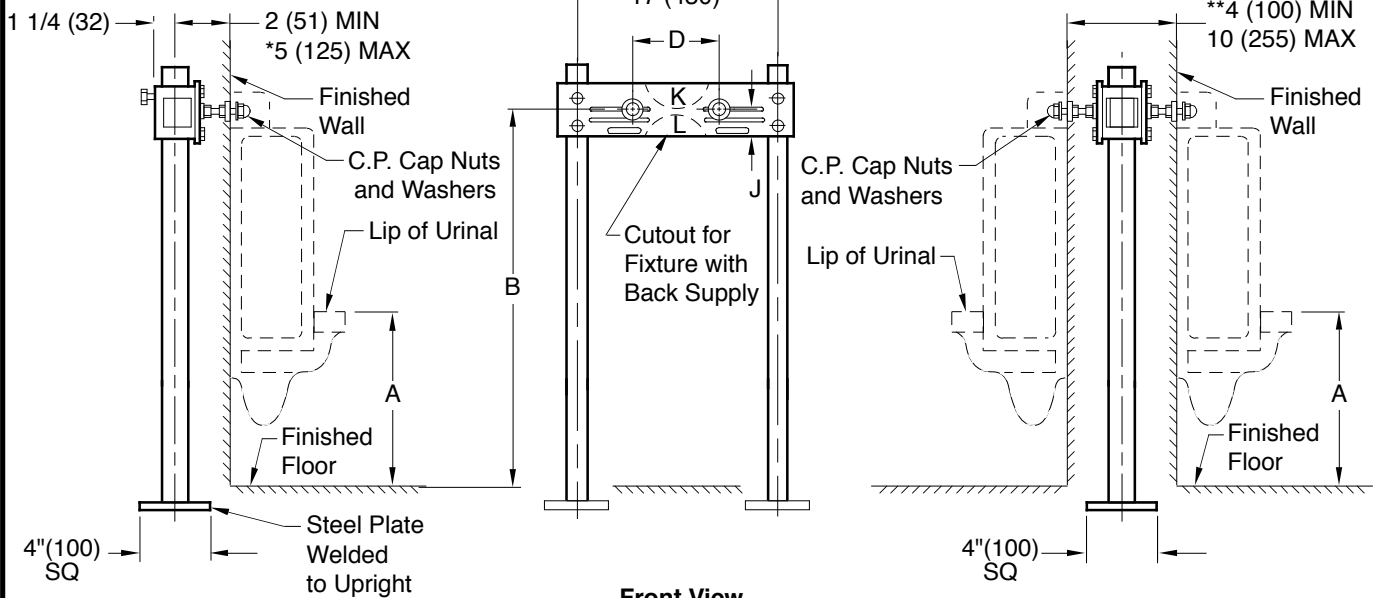


MEMBER OF:

LOCATION

# URINAL SUPPORTS FOR OFF-THE-FLOOR URINALS

## WITH SUPPORTING STUDS FOR BLOWOUT AND WASHOUT URINALS



**Fig. 0634**  
Side View

**Front View**

**Fig. 0634D**  
Side View

**ROUGH-IN TABLE**

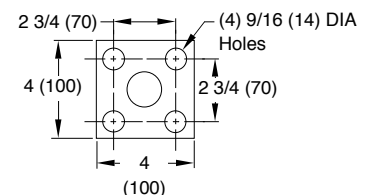
FIXTURE MFG.	NAME	NUMBER	A	B	D	J	Cutout for (Inlet)	
							K	L
Am. Std.	Allbrook	6545.016	24 (610)	36 1/8 (918)	5 (125)	2 (51)	-	X
Briggs	Rushton	B-6940, 1	24 (610)	28 (710)	7 (180)	3 (76)	X	-
Case	Casco	2325, 6	22 (560)	42 (1065)	6 (150)	1 (25)	-	X
Crane	Expedio	7-101, 3	22 (560)	26 1/2 (675)	5 (125)	3 1/2 (89)	X	-
Crane	Expedio	7-104	22 (560)	26 1/2 (675)	7 (180)	2 (51)	-	-
Crane	Manhattan	7-105, 8	22 (560)	34 1/4 (870)	5 (125)	2 (51)	-	-
Crane	Santo	7-111, 2	22 (560)	34 1/4 (870)	5 (125)	2 (51)	-	-
U. Rundle	Colby	4981	22 (560)	33 1/4 (845)	5 1/2 (140)	2 (51)	-	-
U. Rundle	Celtic	4989, 92	22 (560)	42 1/2 (1080)	7 (180)	1 (25)	-	X
U. Rundle	Colburn	4990	22 (560)	33 1/2 (850)	4 1/4 (110)	2 (51)	-	-
U. Rundle	Challenge	4993, 4	22 (560)	42 3/4 (1085)	7 (180)	1 (25)	-	X

**NOTE:** All support bases must be securely anchored to a rigid floor and/or other rigid substructure with (4) 1/2" bolts furnished by others.

**NOTE:** \*This dimension can be increased when fixture support is to be installed behind the wall (specify when required and wall thickness).

\*\*This dimension can be increased when required (specify wall thickness).

**NOTE:** Dimensions shown in parentheses are in millimeters.



**BASE DETAIL**

M	2-24-12	Rev. Dim., Base Plate	TBW	TWK	WEIGHT	VOLUME	FIGURE NUMBER
L	01/20/11	Updated Logo	JJ	TW	POUNDS	CUBIC FEET	<b>0634</b>
K	04/22/09	Added Note	JJ	AM			
J	01/11/00	Revised Base Plate	JJ	BS			
REV.	DATE	DESCRIPTION	BY	CKD. BY			



**WARNING:** Cancer and Reproductive Harm - www.P65Warnings.ca.gov

DRAWING NUMBER

S0634

SIZE

A

SCALE:

NONE

DATE:

1-23-73

APPROVED BY:

CHECKED BY:

RP

DRAWN BY:

JH

0634

FIGURE NUMBER

WE CAN ASSUME NO RESPONSIBILITY FOR USE OF SUPERSEDED OR VOID DATA

DIMENSIONS ARE SUBJECT TO MANUFACTURERS TOLERANCE AND CHANGE WITHOUT NOTICE

LAV-1

**CODE NUMBER**

3873001

**DESCRIPTION**

Vitreous China Undermount Lavatory.

**DETAILS**

- Nominal Dimensions: 16 ½" x 19 ½" x 7 ½" (419 x 495 x 191mm)

**FEATURES**

- White Vitreous China
- Undermounted
- Front overflow
- Mounting hardware included
- 19½" x 16½" (495 mm x 419 mm)

**DOWNLOADS**

- [Sloan SS-3001 Installation Instructions](#)
- [SS-3001 Cutout Template - PDF](#)
- [SS/ST/SU/WETS/WEUS Fixtures Repair and Maintenance Guide](#)
- [Vitreous China Lavatories Repair and Maintenance Guide](#)
- [Additional Downloads](#)



**COMPLIANCES & CERTIFICATIONS**



BREEAM  
MATERIALS



(ADA Compliant, BREEAM Materials Credit, Carbon Neutral, EPD, HPD, LEED Materials & Resources EPD Credit, LEED Materials & Resources HPD Credit, Satisfies LEED Credits)

**NOTES**

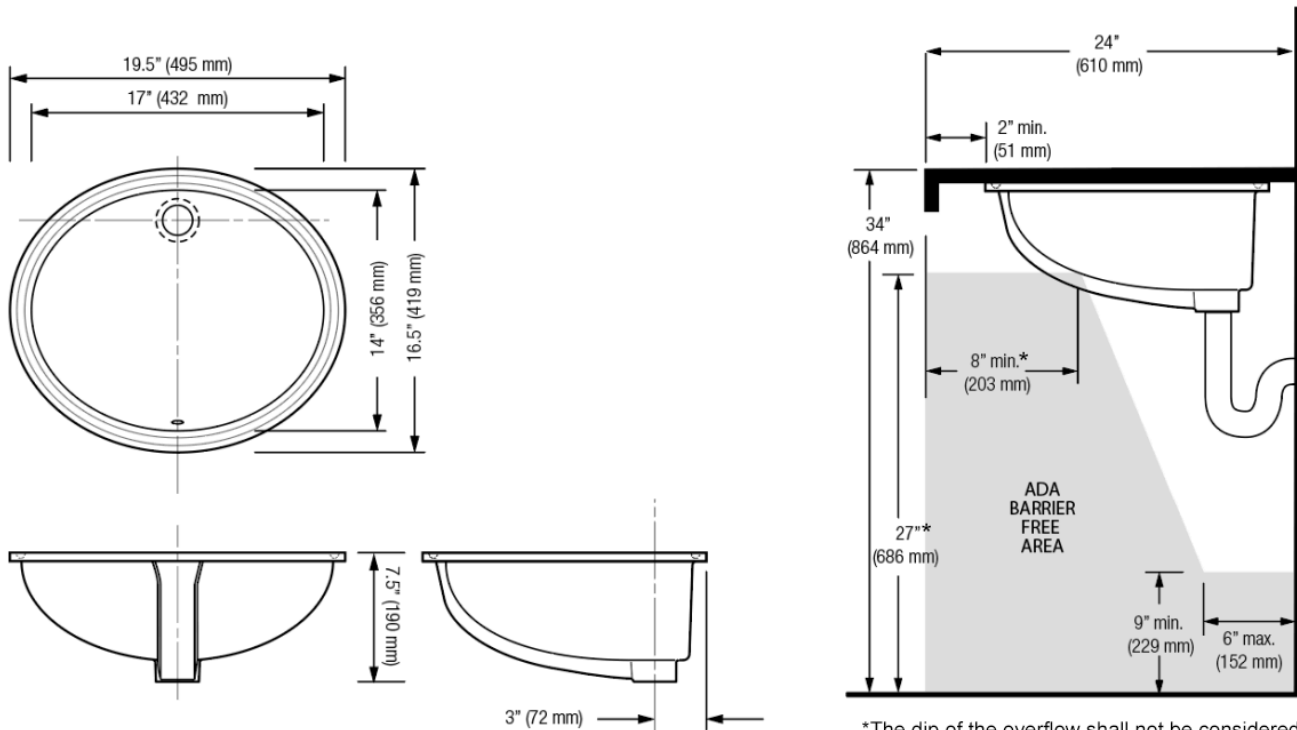
All information contained within this document subject to change without notice.

All vitreous china dimensions shown in these drawings are nominal and not to scale. Dimensions can vary within the tolerances established in the governing ASME A112.19.2/CSA B45.1 standard. It is important to consider this when planning rough-in and plumbing layouts.

**WARRANTY**

[View Warranty Information](#)

**ROUGH-IN**



\*The dip of the overflow shall not be considered in determining knee and toe clearance (2010 Federal ADA, ANSI A117.1, TAS)

**CODE NUMBER**

3324233

**DESCRIPTION**

Bluetooth Adapter, Trim Plate: None, Box Transformer Power Supply, Below Deck Thermostatic Mixing Valve, Polished Chrome Finish, 0.5 gpm, Multi-Laminar Spray, Infrared Sensor, BASYS® Hardwired-Powered Deck-Mounted Mid Body.

**DETAILS**

- Flow Rate: 0.5 gpm (1.9 Lpm) (0.5GPM)
- Spray Type: Multi-Laminar (MLM)
- Sensor Type: Infrared
- Mounting Type: Single Hole
- Trim Plate: None
- Power Supply: Box Transformer (BOX)
- Temperature Mixer: Below Deck Thermostatic Mixing Valve (BDT)
- Finish: Polished Chrome (CP)
- Factory Default Timeout: 10 seconds
- Factory Default Gallons per Cycle: 0.083

**FEATURES**

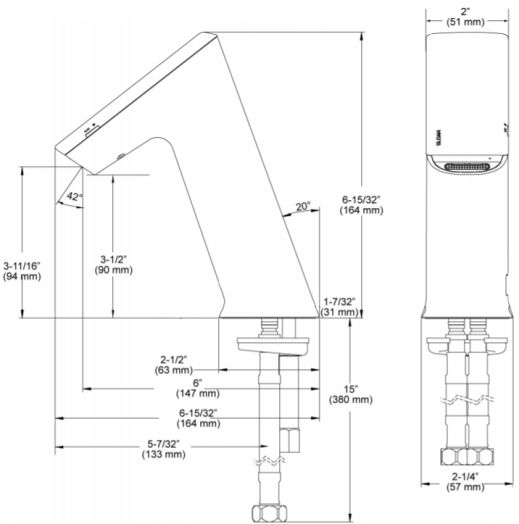
Commercial Grade, ADA Compliant, Electronic, Sensor-Activated, Die-Cast Metal Hand Washing Faucet with the following features:

- One tool service
- All wetted components to be stainless steel, engineered thermoplastic, EPDM, and copper or copper alloy
- Solenoid housed in removable carrier that includes supply strainer
- Integral water supply shut off
- Supply strainer serviceable from above deck
- Vandal resistant spray insert, key housed inside faucet body
- All electronics sealed to IP-67
- Gold plated electrical contacts
- Above deck individual diagnostic indicators for battery life, solenoid condition, and power up mode
- Flexible, high pressure supply hoses, 3/8" compression connections
- Bi-stable magnetic solenoid
- Four (4) "AA" alkaline batteries
- Double infrared sensors with automatic setting feature Includes all mounting hardware
- Line purge mode, eliminates stagnant water
- Adjustable time-outs
- Standard Bowed Crown

**ELECTRICAL SPECIFICATIONS**

- Battery Life: 3 years 8,000 cycles/month
  - Optional power harvesting significantly extends service life
- Sensor Range: 4" - 5" (102 - 127mm)

**VIDEOS**



**COMPLIANCES & CERTIFICATIONS**



(ADA Compliant, ASME A112.18.1 Compliant, ASSE 1070, BREEAM Materials Credit, BREEAM Water Credit, CalGreen Compliant, CEC Compliant, cUPC Certified, UPC Certified, UPC Low Lead Compliant, cUPC Low Lead Compliant, EPD, Green Globes Materials & Resources Credit, Green Globes Water Credit, HPD, LEED Materials & Resources EPD Credit, LEED Materials & Resources HPD Credit, NYC604.4, Proposition 65, Satisfies LEED Credits, TAS, WELL Building Standard)

Sloan 10500 Seymour Ave, Franklin Park, IL 60131  
 Phone: 800.982.5839 • Fax: 800.447.8329 • [sloan.com](http://sloan.com)

- ▶ BASYS<sup>®</sup> Faucet Installation and Features
- ▶ BASYS<sup>®</sup> Faucet Installation Mid Height Model
- ▶ Sloan Connect App<sup>®</sup>

**DOWNLOADS**

- [EFX 1Xx/2Xx Installation Instructions](#)
- [EFX 1Xx/2Xx \(SP\) Installation Instructions](#)
- [EFX 1Xx/2Xx Caddy Replacement Installation Instructions](#)
- [Trim Plate Guide](#)
- [IR FAQs Repair and Maintenance Guide](#)
- [IR FAQs SP Repair and Maintenance Guide](#)
- [EFX-2XX Repair and Maintenance Guide](#)
- [Faucet Spray Heads Repair and Maintenance Guide](#)
- [Additional Downloads](#)

**RECOMMENDED SPECIFICATION**

Sloan BASYS Model No. EFX-200-BOX-BDT-CP-0.5GPM-MLM-IR-FCT Infrared Sensor Activated Electronic Handwashing Faucet for pretempered or hot/cold water supplies. Product to have double infrared sensors with automatic setting feature. Solenoid valve housed in removable carrier that closes water supply upon removal eliminating, need to access control stops. Solenoid carrier includes strainer for easy above deck service. Thermostatic mixer ordered separately to comply with ASSE 1070 requirements. The product shall be tested and certified to industry standards: ASME A112.18.1M, CSA B125.1, California Health and Safety Code 116875

**NOTES**

All information contained within this document subject to change without notice.

Looking for other variations of the EFX-200 product? [View the general spec sheet with all options.](#)

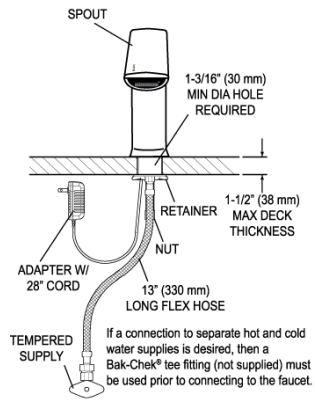
[Find a matching soap dispenser](#) for this faucet.  
[Find a compatible sink](#) for this faucet.

**WARRANTY**

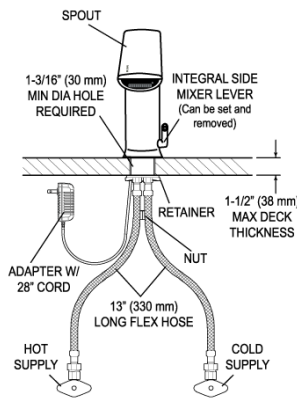
[View Warranty Information](#)

**ROUGH-IN**

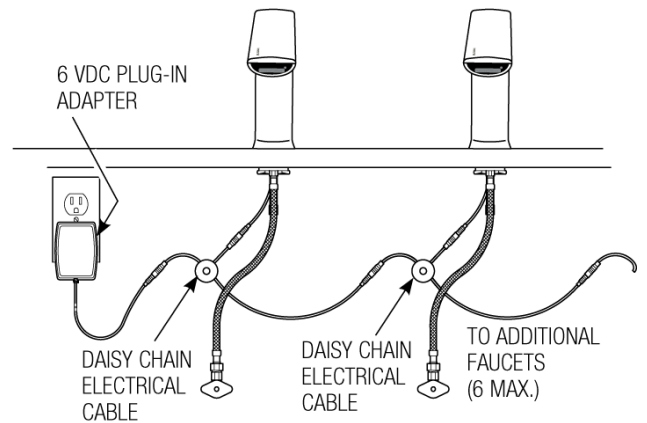
**EFX-200.00X.0X1X Faucet**  
with Single Line Water Supply



**EFX-200.50X.0X1X Faucet**  
with Hot & Cold Water Supply



**Electrical Connection for up to 6 Faucets**  
Can combine up to six (6) faucets using one adapter



Sloan 10500 Seymour Ave, Franklin Park, IL 60131  
 Phone: 800.982.5839 • Fax: 800.447.8329 • [sloan.com](http://sloan.com)



# McGuire Manufacturing Co., Inc.

60 Grandview Court  
Cheshire, Connecticut 06410  
(203) 699-1801 Fax (203) 699-1813  
customerservice@mcguiremfg.com mcguiremfg.com

## PRODUCT SPECIFICATION

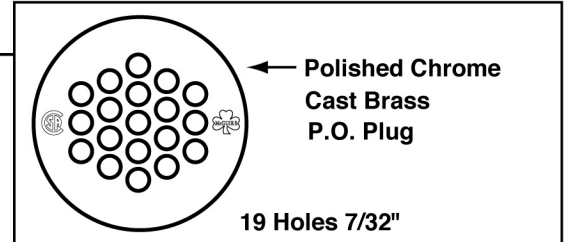
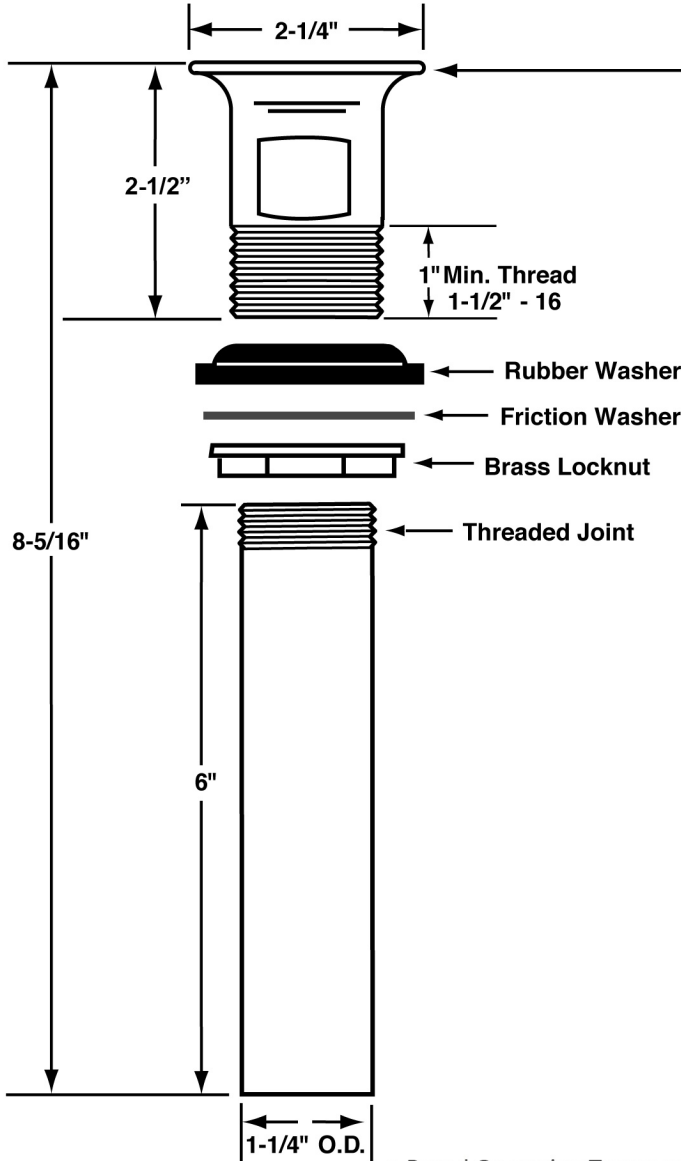
Part No.

**155A**

**Open Grid P.O. Plug**

**Job Name:**

**Submittal Number:**



- Rated Operating Temperature: 40-140°F
- Note: 180°F max. during temporary high-temperature system flush



See options and accessories section for details on product variations

ASME A112.18.2/CSA B125.2

### Specifications:

Cast brass chrome plated open grid P.O. plug with 17GA 1-1/4" x 6" seamless brass tailpiece, brass lock nut, heavy rubber basin washer and fiber friction washer. P.O. plug shall be in compliance with CSA or other recognized testing authority and bear both manufacturer and testing mark.



**WARNING:**

This product can expose you to chemicals including lead, which is known to the State of California to cause cancer, and birth defects or other reproductive harm. For more information go to [www.P65Warnings.ca.gov](http://www.P65Warnings.ca.gov).





**McGuire Manufacturing Co., Inc.**

60 Grandview Court  
 P.O. Box 746 • Cheshire, CT 06410  
 203-699-1801 • Fax: 203-699-1813  
 www.mcguiremfg.com

**PRODUCT SPECIFICATION**

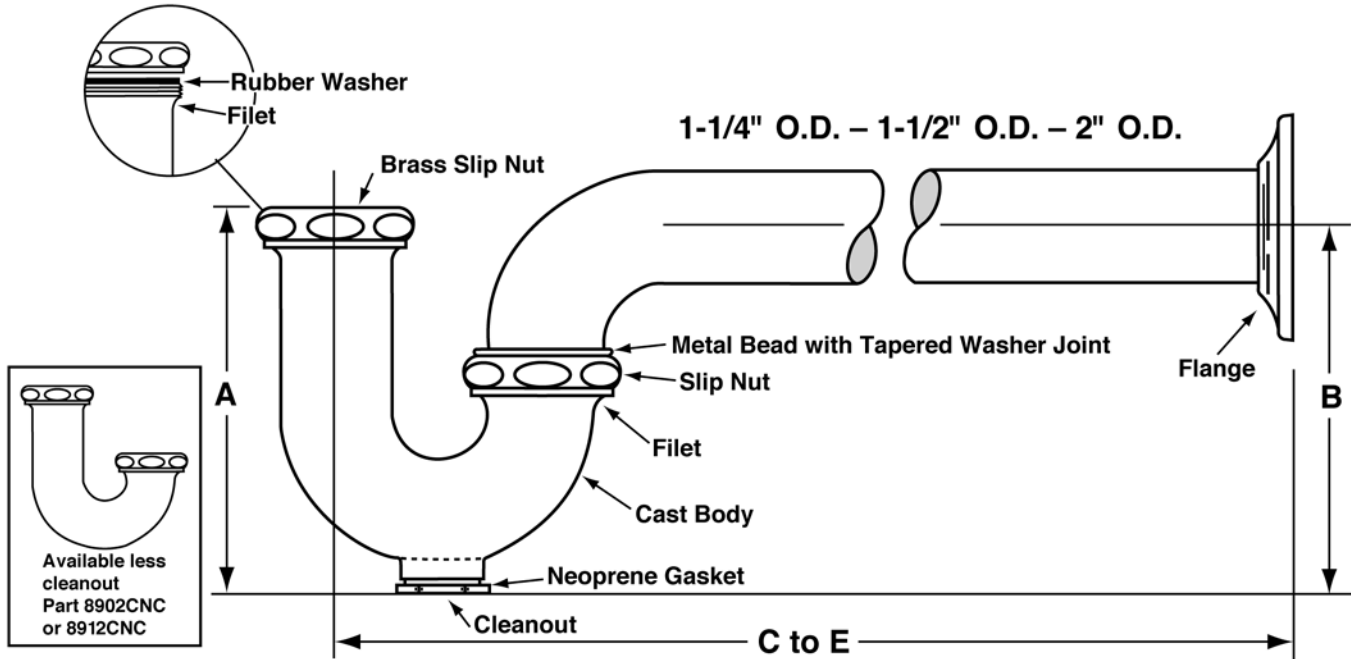
**Part No.**

**8872, 8902, 8902CNC,  
 8912, 8912CNC, 8903, 8904**

**Cast Body P-Trap  
 With or Without Cleanout**

**Job Name:**

**Submittal Number:**



Available less cleanout  
 Part 8902CNC  
 or 8912CNC

**PROFESSIONAL LINE**

**ROUGHING MEASUREMENTS**

NO.	TRAP DIMENSIONS		A	B	C to E
	INLET	OUTLET			
8872	1-1/4"	1-1/4"	4-1/2"	4-1/4"	11-1/2"
8902	1-1/4"	1-1/2"	5"	5-1/2"	11-1/2"
8902CNC	1-1/4"	1-1/2"	4-5/8"	4-3/4"	11-1/2"
8912	1-1/2"	1-1/2"	5"	5-1/2"	11-1/2"
8912CNC	1-1/2"	1-1/2"	4-5/8"	4-1/8"	11-1/2"
8903	1-1/2"	2"	5"	6"	13-3/4"
8904	2"	2"	5"	6"	13-3/4"

**FED SPEC W.W.P. 541  
 CAST BRASS P TRAP  
 MINIMUM SEAL 2"**



See options and accessories section for details on product variations.

ASME A112.18.1-2011/CSA B125-2.11

**Specifications:**

P-Trap shall be chrome plated cast brass body (with, without) cleanout, with 17 gauge seamless tubular wall bend, cast brass slip nuts. Reducing washers shall be used with reducing cast brass nut. With (shallow, deep, bell) (steel, brass) or (forged brass with set screw) flange. P-Trap shall be McGuire "Classic" Professional Line (8872C, 8902C, 8912C, 8903, 8904). Trap shall be certified by CSA or other recognized testing authority. P-Trap shall bear manufacturer and testing mark.



**McGuire Manufacturing Co., Inc.**

60 Grandview Court  
 Cheshire, Connecticut 06410  
 (203) 699-1801 Fax (203) 699-1813  
 customerservice@mcguiremfg.com mcguiremfg.com

**PRODUCT SPECIFICATION**

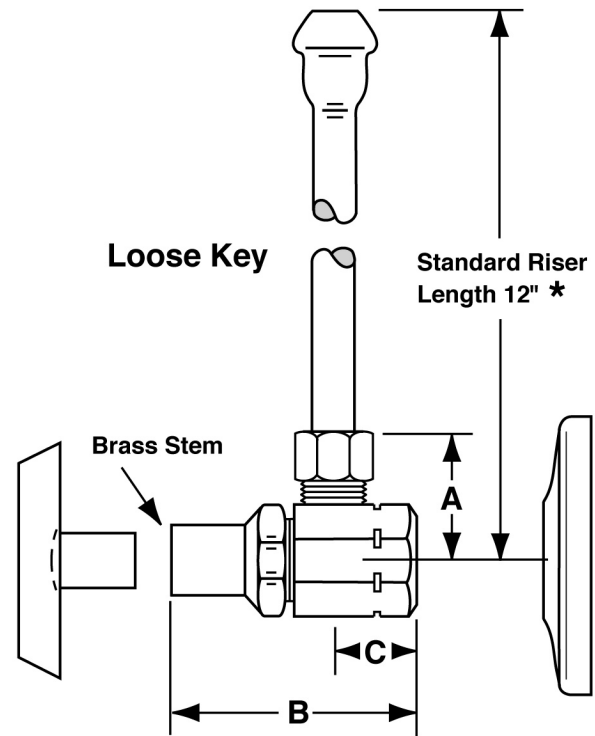
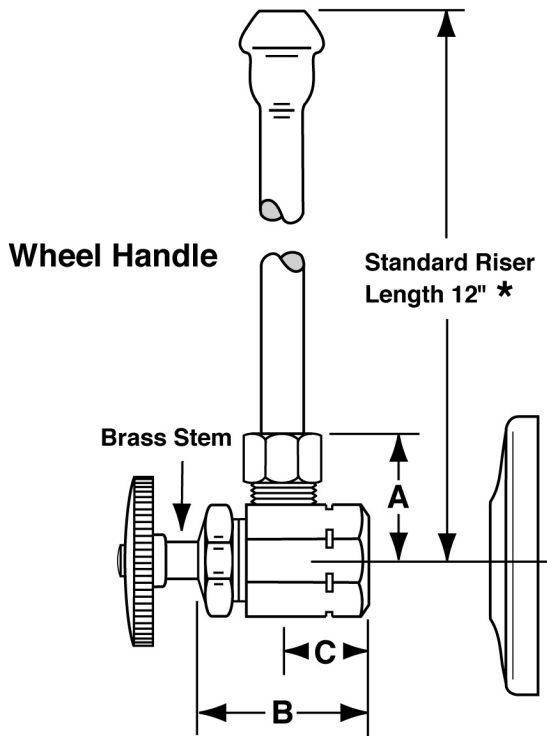
**Part No.**

**LF2165LK**

**Lavatory Supply**  
**1/2" I.P.S. x O.D.**

**Job Name:** \_\_\_\_\_

**Submittal Number:** \_\_\_\_\_



NO.	DESCRIPTION	ROUGHING MEASUREMENTS		
		A	B	C
<b>LF2165LK</b>	<b>1/2" I.P.S. x 3/8" O.D.</b>	<b>1-3/16"</b>	<b>2-1/4"</b>	<b>3/4"</b>

**LK** designates Loose Key

\* See options and accessories section for details on product variations.



**Specifications:**

Supply kit shall include lead free chrome plated brass supply stop valves with full turn brass stem, no plastic, (12, 15, 20) inch chrome plated risers and (shallow, deep, bell) (steel, brass) or (forged brass with set screw) flange. Inlet shall be (3/8, 1/2) inch (IPS, compression). Outlet shall be (3/8, 1/2) inch compression. Supply kit shall be McGuire \_\_\_\_\_. Supply kit shall be certified by recognized authority and bear manufacturer and testing mark.



**WARNING:**

This product can expose you to chemicals including lead, which is known to the State of California to cause cancer, and birth defects or other reproductive harm. For more information go to [www.P65Warnings.ca.gov](http://www.P65Warnings.ca.gov).