

Quality People. Building Solutions.

Comfort Systems USA (Arkansas), Inc.
P.O. Box 16620
Little Rock, AR 72231
Phone 501-834-3320
Fax 501-834-5416

Date: 11/28/2023

Return Request: 12/5/2023

Project: MAC Building – 4th Floor

Supplier: Falk Supply

Manufacturer: Various

Submittal: Plumbing Piping Specialties

Submittal Number: 22 10 06-01

Drawing # and Installation: Plumbing Drawings

ARCHITECT

Stocks Mann
401 W. Capitol, Suite 402
Little Rock, AR 72201
501-370-9207

ENGINEER

Insight
322 S. State Street, Suite 201
Little Rock, AR 72201
501-237-3077

GENERAL CONTRACTOR

Carson & Associates
1310 W. Daisy Bates Dr.
Little Rock, AR 72202
501-372-5816

MECHANICAL SUBCONTRACTOR

Comfort Systems USA (Arkansas), Inc.
9924 Landers Rd.
N. Little Rock, AR 72117
501-834-3320

Notes:

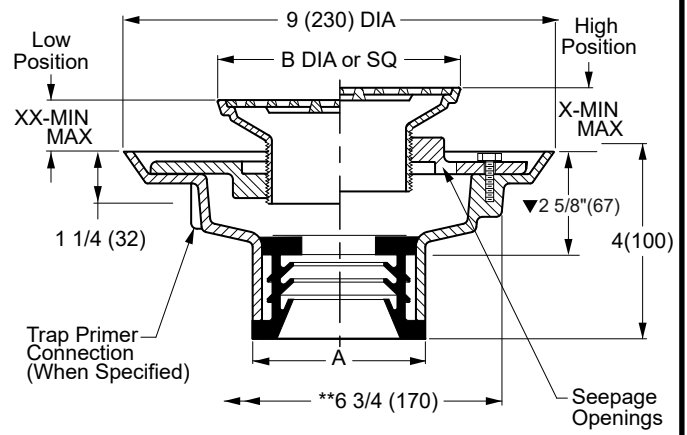
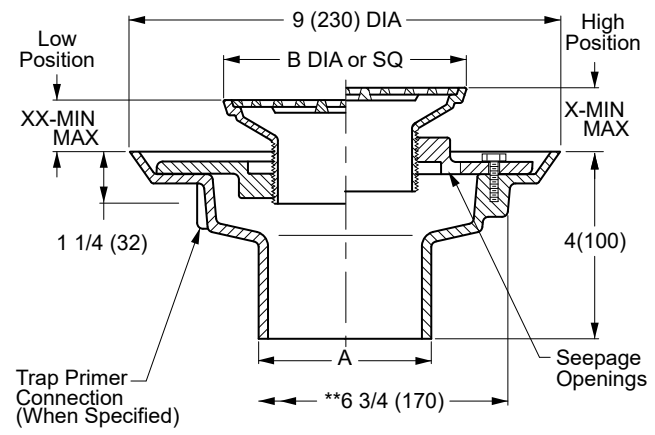
chowell@comfortar.com

9924 Landers Rd.
No. Little Rock, AR 72117

FD-1

FLOOR OR SHOWER DRAINS WITH ADJUSTABLE STRAINER HEADS

Load Rating: Light Duty having a Safe Live (Static) Load less than 2,000 lbs. (900 kg) per ASME A112.6.3 Floor Drain Standard. For the specific Safe Live Load rating of any grate, contact the Smith representative or factory direct.



A (Pipe Size) = 02(50), 03(75), 04(100), 05(125) or 06(150)

NO-HUB OUTLET

- Fig. 2005Y.....(A) ROUND TOP
- Fig. 2005Y.....(B) SQUARE TOP

Outlet Size	Nickel Bronze Strainer Head
▲ 02(50)	05(125) DIA or SQ
▲ 03(75)	06(150) DIA or SQ
▲ 04(100)	08(205) DIA or SQ

SPEEDI-SET® OUTLET

- Fig. 2005L.....(A) ROUND TOP
- Fig. 2005L.....(B) SQUARE TOP

Strainer Size B DIA or SQ	*Collar In High Position X		*Collar In Low Position XX		Free Area SQ IN (SQ CM)	
	MIN	MAX	MIN	MAX	ROUND	SQUARE
05 (125)	1 1/4(32)	2 1/4(57)	3/4(19)	1 5/8(41)	7(45)	6.5(42)
06 (150)	1 1/4(32)	2 1/4(57)	3/4(19)	1 5/8(41)	9(58)	12.5(81)
07 (180)	1 1/4(32)	2 1/4(57)	7/8(22)	1 7/8(48)	14(90)	11(71)
08 (205)	1 1/2(38)	2 1/2(64)	1(25)	1 7/8(48)	17(110)	14(90)
*09 (230)	1 1/2(38)	2 3/8(60)	1(25)	1 7/8(48)	18(116)	16(103)
*10 (255)	1 1/2(38)	2 3/8(60)	1(25)	1 7/8(48)	23(48)	16(103)

- ▼ This dimension to internal stop of speedi-set® gasket.
- Add 3/8"(10) to all min/max dimensions for round strainers.
- * Collar is reversible to obtain extreme high and low strainer positions.
- ** Not available for 5"(125) size strainer.
- ** MIN 6 3/4"(170) hole required for core drilled application.

REGULARLY FURNISHED:

Duco Cast Iron Body with Flashing Collar and Adjustable Strainer Head as Indicated by Suffix Letter Selected.

VARIATIONS:

- Flapper Type Backwater Valve -V (NOTE 2)
- Hinged Grate -H (NOTE 1)
- L Speedi-Set® Service Weight 2(50), 3(75) & 4"(100) only
- LXH Speedi-Set® Extra Heavy 2(50), 3(75) & 4"(100) only
- Sediment Bucket -B
- Trap Primer Connection -P050 1/2" (13) & -P075 3/4" (19)
- Vandal Proof Screws -U
- Wide Flanged Strainer (Specify Fig. DX2005)
- T Threaded Outlet (Specify 2010T)
- Heelproof Grate -HP -AHP (Round) or -BHP (Square)
- Quad Close Trap Seal (Specify Fig. 2692)

OPTIONAL MATERIALS:

- Bronze Body -BB
- Chrome Plated Strainer -CP
- Galvanized Cast Iron Body -G
- Nickel Bronze Strainer -NB
- Polished Bronze Strainer -PB
- All Stainless Steel (Specify Fig. 9700)
- Stainless Steel Strainers -SS [Available in 05(125) & 06(150) sizes only]

NOTE: Dimensions shown in parentheses are in millimeters.

▲ Meets ASME Standard A112.6.3-2001 02(50), 03(75) or 04"(100) sizes only.

NOTE 1: Sediment Bucket -B not provided for a Hinged Grate (-H)

NOTE 2: Sediment Bucket -B not provided for a Ball Float (-BFV) or a Flapper Type (-V)

SEE PM 0457 FOR OPTIONAL STRAINER HEADS.

DRAWING NUMBER S2005
 SIZE A
 SCALE: NONE
 DATE: 5-17-85
 APPROVED BY: TD
 CHECKED BY: TD
 DRAWN BY: PJ
 FIGURE NUMBER 2005

WE CAN ASSUME NO RESPONSIBILITY FOR USE OF SUPERSEDED OR VOID DATA
 DIMENSIONS ARE SUBJECT TO MANUFACTURERS TOLERANCE AND CHANGE WITHOUT NOTICE

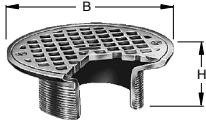
REV.	DATE	DESCRIPTION	BY	CKD. BY	WEIGHT POUNDS	VOLUME CUBIC FEET	FIGURE NUMBER
Y	8-9-23	Removed Function	HS	CL			2005
X	3-10-23	Added @ to "Speedi-Set"	KK	CL			
W	10-8-21	Added NOTE 1 & 2	KK	JM			
V	8-27-21	Edited Variations	KK	JM			

NOTE 1: Sediment Bucket -B not provided for a Hinged Grate (-H)

NOTE 2: Sediment Bucket -B not provided for a Ball Float (-BFV) or a Flapper Type (-V)

OPTIONAL STRAINER HEADS

ROUND STRAINER



MATERIALS:
 Chrome Plated -CP
 Polished Bronze -PB
 Nickel Bronze -NB
 Stainless Steel
 Strainers -SS [Available in 05(125) & 06(150) sizes only]

VARIATIONS:
 *Hinged Grate (Specify Suffix -AH) (NOTE 1)
 Sediment Bucket -B
 Vandal Proof Screws -U

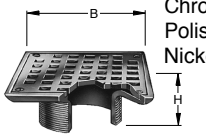
B DIA	05 (125)	06 (150)	07 (180)	08 (205)	09 (230)	10 (255)
H	2 (51)	2 (51)	2 1/4 (57)	2 1/2 (64)	2 1/2 (64)	2 3/4 (70)
X MIN	1 1/4 (32)	1 1/4 (32)	1 1/4 (32)	1 1/2 (38)	1 1/2 (38)	1 1/2 (38)
X MAX	2 1/4 (57)	2 1/4 (57)	2 1/4 (57)	2 1/2 (64)	2 1/2 (64)	2 3/4 (70)

LIGHT DUTY

SUFFIX -A

Specify Type, Size & Finish eg: A05NB
 *Not available for 05" (125) size

SQUARE STRAINER



MATERIALS:
 Chrome Plated -CP
 Polished Bronze -PB
 Nickel Bronze -NB

VARIATIONS:
 Flapper Type Backwater Valve (Specify Suffix -BV) 05 (125), 06 (150), 07 (180) or 08" (205) sizes only (NOTE 2)
 *Hinged Grate (Specify Suffix -BH) (NOTE 1)
 Sediment Bucket -B
 Vandal Proof Screws -U

B SQ	05 (125)	06 (150)	07 (180)	08 (205)	09 (230)	10 (255)
H	2 (51)	2 (51)	2 1/4 (57)	2 1/2 (64)	2 1/4 (57)	2 1/4 (57)
X MIN	1 1/4 (32)	1 1/4 (32)	1 1/4 (32)	1 1/2 (38)	1 1/2 (38)	1 1/2 (38)
X MAX	2 1/4 (57)	2 1/4 (57)	2 1/4 (57)	2 1/2 (64)	2 1/4 (57)	2 3/8 (60)

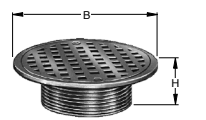
LIGHT DUTY

SUFFIX -B

Specify Type, Size & Finish eg: B05NB
 *Not available for 05" (125) size

REINFORCED ROUND STRAINER

FUNCTION: Used in finished floors where light wheeled loads are anticipated.



MATERIALS:
 Chrome Plated -CP
 Polished Bronze -PB
 Nickel Bronze -NB

VARIATIONS:
 Flapper Type Backwater Valve (Specify Suffix -CV) (NOTE 2)
 Sediment Bucket -B
 Vandal Proof Screws -U

B DIA	05 (125)	06 (150)	08 (205)	10 (255)
H	2 (51)	2 (51)	2 1/2 (64)	2 3/4 (70)
MIN	1 1/4 (32)	1 1/4 (32)	1 1/2 (38)	1 7/8 (48)
MAX	2 1/4 (57)	2 1/4 (57)	2 1/2 (64)	2 3/4 (70)

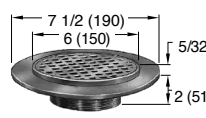
LIGHT DUTY

SUFFIX -C

Specify Type, Size & Finish eg: C06NB

TILE FLANGE

FUNCTION: Provides integral flange set 5/32"(4) below rim to receive floor covering. Flange may have option of tapped holes for securing pan and gasket.



MATERIALS:
 Chrome Plated -CP
 Polished Bronze -PB
 Nickel Bronze -NB

VARIATIONS:
 Flapper Type Backwater Valve (Specify Suffix -FV) (NOTE 2)
 Holes in Flange -SH
 Sediment Bucket -B
 Vandal Proof Screws -U

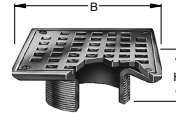
X	
MIN	MAX
1 1/4 (32)	2 1/8 (54)

LIGHT DUTY

SUFFIX -F

Specify Type, Size & Finish eg: F06NB

FLAPPER TYPE BACKWATER VALVE



FUNCTION: Provides backwater protection at point where protection is needed.

MATERIALS:
 Chrome Plated -CP
 Polished Bronze -PB
 Nickel Bronze -NB

VARIATIONS:
 *Hinged Grate (Specify Suffix -AH)
 Vandal Proof Screws -U

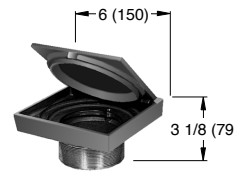
B SQ	05 (125)	06 (150)	07 (180)	08 (205)
H	2 (51)	2 (51)	2 1/4 (57)	2 1/2 (64)
X MIN	1 1/4 (32)	1 1/4 (32)	1 1/4 (32)	1 1/2 (38)
X MAX	2 1/4 (57)	2 1/4 (57)	2 1/4 (57)	2 1/2 (64)

LIGHT DUTY

SUFFIX -AV

Specify Type, Size & Finish eg: AV05NB
 *Not available for 05" (125) size

STRAINER HEAD w/SQUARE HINGED COVER



MATERIALS:
 Chrome Plated -CP
 Polished Bronze -PB
 Nickel Bronze -NB

VARIATIONS:
 Gasketed Water Tight Cover -GC
 Secured Cover -SC
 Secondary Strainer Grate-SG

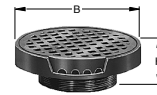
LIGHT DUTY

SUFFIX -BS

Specify Type, Size & Finish eg: BSNB

REINFORCED TRACTOR STRAINER

FUNCTION: Used in finished floors where light weight wheeled loads are anticipated and loose set non-tilt tractor grate is desired.



MATERIALS:
 Cast Iron -CI
 Chrome Plated -CP
 Polished Bronze -PB
 Nickel Bronze -NB

VARIATIONS:
 Flapper Type Backwater Valve (Specify Suffix -DV or -EV) (NOTE 2)
 Sediment Bucket -B
 Vandal Proof Screws -U

SUFFIX	B DIA	H	X	
			MIN	MAX
-D	07 (180)	3 1/4 (83)	2 5/8 (67)	3 1/2 (89)
-E	09 (230)	3 1/2 (89)	2 3/4 (70)	3 1/2 (89)

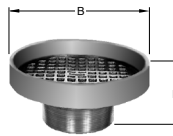
LIGHT DUTY

SUFFIX -D-E

Specify Type, Size & Finish eg: D07PB
 E09PB

ADJUSTABLE STRAINER HEAD

FUNCTION: Used in a non-traffic area when a funnel type strainer head is required and space does not allow use of the 3500 series funnel. The extended rim allows use as an anti-flood and anti-splash drip pan.



VARIATIONS:
 Flapper Type Backwater Valve (Specify Suffix -F37V or F38V)

MATERIALS:
 Cast Iron -CI
 Chrome Plated -CP
 Galvanized Cast Iron -G
 Polished Bronze -PB
 Nickel Bronze -NB

SUFFIX	-F37	-F38
B DIA	07 (180)	09 (230)
H	3 1/4 (83)	3 1/2 (89)
X MIN	2 5/8 (67)	2 3/4 (70)
X MAX	3 1/2 (89)	3 1/2 (89)

NON-TRAFFIC

SUFFIX -F37-F38

Specify Type, Size & Finish eg: F37NB F38CP

DRAWING NUMBER
PM0457 SH 1 of 2

SIZE
A

SCALE
NONE

DATE:
5-17-85

APPROVED BY:
TD

CHECKED BY:
TD

DRAWN BY:
PJ

FIGURE NUMBER
2010 SERIES OPTIONAL STRAINER HEADS

DIMENSIONS ARE SUBJECT TO MANUFACTURERS TOLERANCE AND CHANGE WITHOUT NOTICE

REV.	DATE	DESCRIPTION	BY	CKD. BY	FIGURE NUMBER
M	10-8-21	Added NOTE 1 & 2	KK	JM	2010 SERIES OPTIONAL STRAINER HEADS 1 of 2
L	10-26-20	Rev. Finish (Tractor Stainer)	MW	CL	
K	7-29-19	Added Load Rating(s)	MW	JM	

NOTE: Dimensions shown in parentheses are in millimeters.

WARNING: Cancer and Reproductive Harm - www.P65Warnings.ca.gov

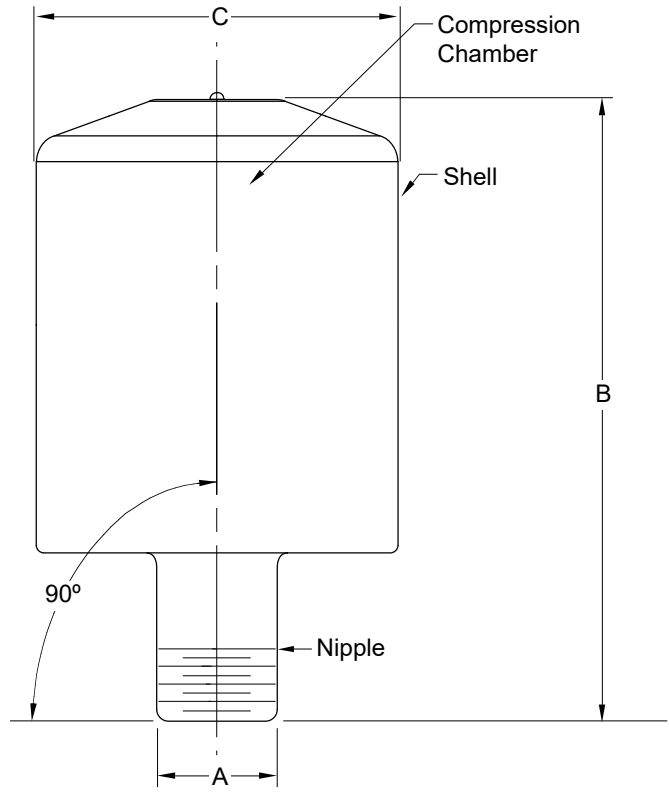
WHA

HYDROTROLS

ENGINEERED WATER HAMMER ARRESTERS

DRAWING NUMBER: S5005
 SIZE: A
 SCALE: NONE
 DATE: 2-12-86
 APPROVED BY: TD
 CHECKED BY: KG
 DRAWN BY: CM
5005 To 5050
 DIMENSIONS ARE SUBJECT TO MANUFACTURERS TOLERANCE AND CHANGE WITHOUT NOTICE

WE CAN ASSUME NO RESPONSIBILITY FOR USE OF SUPERSEDED OR VOID DATA



Hydrotrols are pre-charged and permanently sealed at the factory. All hydrotrols are constructed entirely of stainless steel.

PCN/ Fig. No.	P.D.I. Symbol	Fixture Unit Rating	A SIZE	B	C
5005	A	1-11	3/4 (19)	3.25 (83)	3.25 (83)
5010	B	12-32	1 (25)	4.06 (103)	3.25 (83)
5020	C	33-60	1 (25)	4.38 (111)	3.25 (83)
5030	D	61-113	1 (25)	5.25 (133)	3.25 (83)
5040	E	114-154	1 (25)	7.03 (179)	3.25 (83)
5050	F	155-330	1 (25)	7.03 (179)	3.25 (83)

RECOMMENDED SPECIFICATION FOR HYDROSTATIC SHOCK CONTROL
 Smith series 5000 "Hydrotrol" all stainless steel shock absorbers shall be installed at all solenoid, remote operated or quick closing valves and at each plumbing fixture or battery of plumbing fixtures. Install on both hot and cold water branch lines in an upright position as close as possible to the valve or valves being served. Sizes and locations as indicated on drawings.

NOTE: Sizing information on reverse side.

NOTE: Stainless steel units are lead-free.



Hydrotrols Fig. 5005 to 5050 inclusive have been tested and certified in accordance with the Plumbing and Drainage Institute "Standard P.D.I. WH-201"
 Refer to www.pdionline.org



NOTE: Dimensions shown in parentheses are in millimeters.

REV.	DATE	DESCRIPTION	BY	CKD. BY	WEIGHT POUNDS	VOLUME CUBIC FEET	FIGURE NUMBER
							5005 To 5050