

# HIGHTOWER PARK O&M MANUAL

DF  
ELKAY EDFP217FPK

# Installation Instructions

## LKFRB1 Freeze Resistant Package

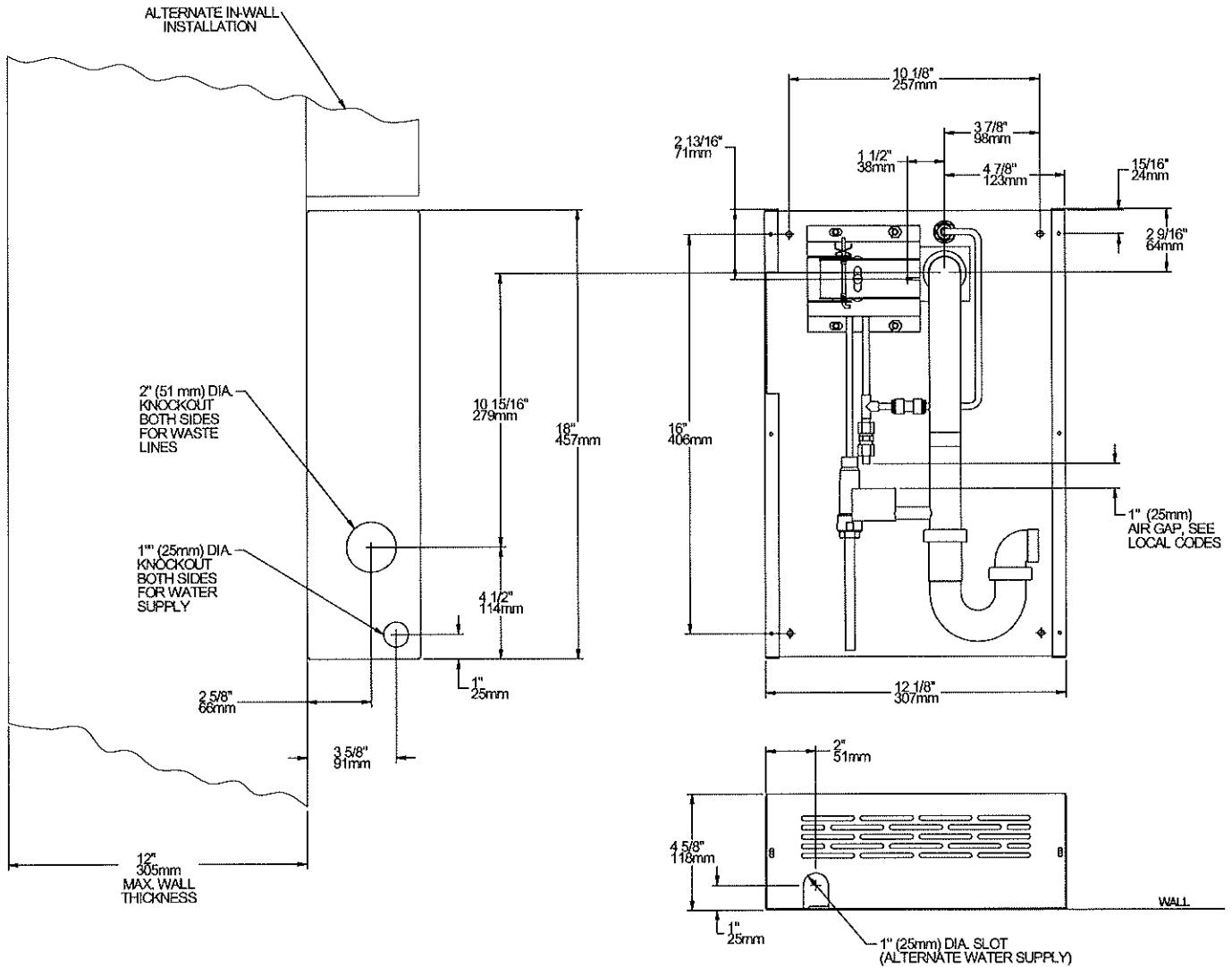


FIG. 1

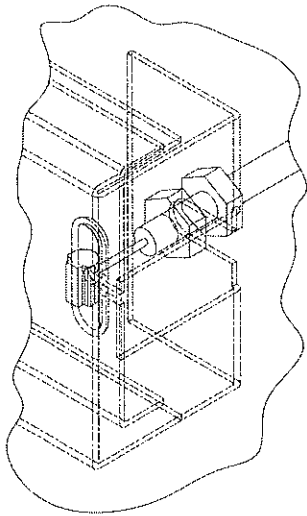
**WARNING:** This Freeze Resistant Package must be installed on an interior heated wall. The front of the box must have unobstructed air flow. Failure to maintain the interior wall temperature and the inside of the Freeze Resistant Package above 50° F (10° C) can and will cause damage to the Freeze Resistant Package. This damage can result in bursting and rupturing of interior plumbing which will result in uncontrollable water flow and flooding of the area. Rough-In dimensions will vary depending upon the type of fountain that this package is installed with. Dimensions shown are for reference only.

**CABLE SHEATH ADJUSTMENT**

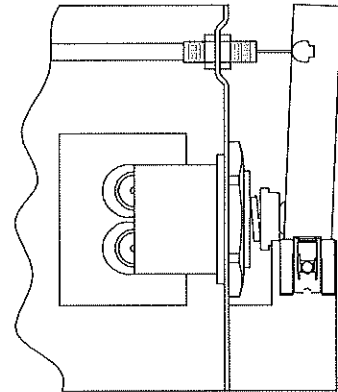
To Increase Free Play



To Reduce Free Play

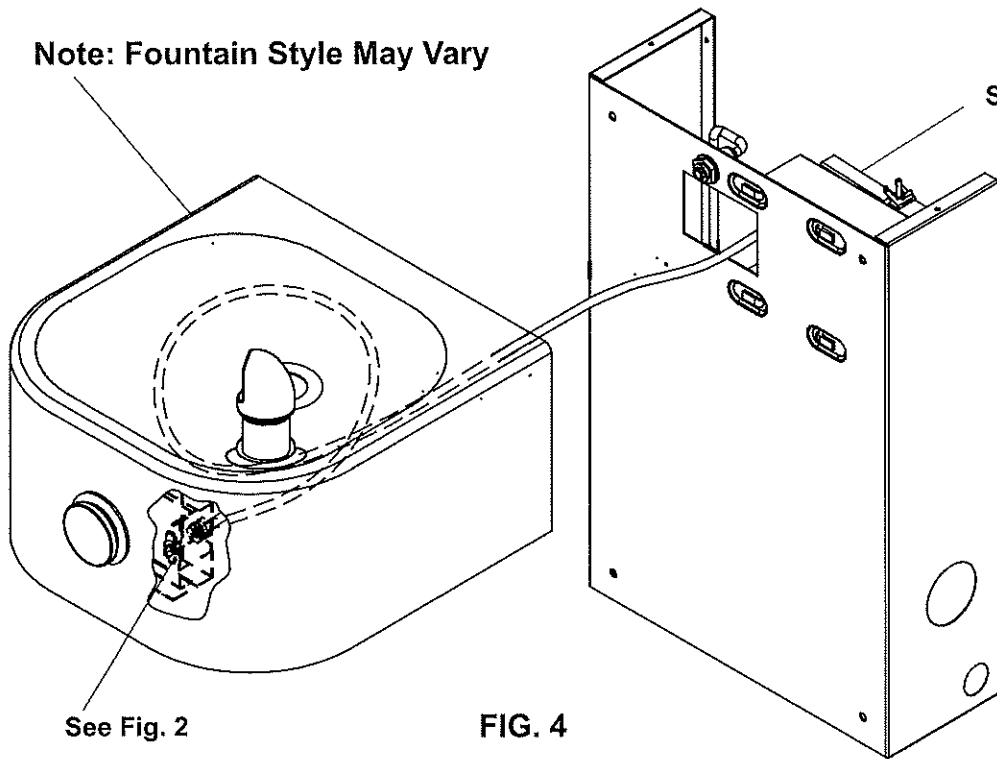


**FIG. 2**

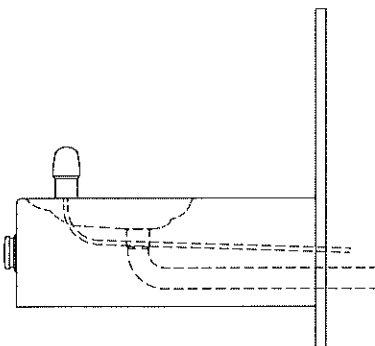


**FIG. 3**

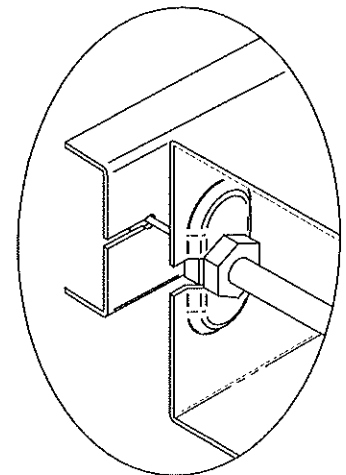
Note: Fountain Style May Vary



**FIG. 4**



**FIG. 5**



**FIG. 6**

## INSTALLATION INSTRUCTIONS

The freeze resistant package must be mounted on an interior wall in a heated area. The room temperature of the interior heated area must be 50° F (10° C) or higher. The freeze resistant package may be surface or recessed mounted. If recess mounted the surface of the cover must be flush with the interior wall surface. The package is furnished with screws for mounting the cover to the box. If the box is recess mounted, do not fasten the top and bottom of the cover to the box. Use the holes on the front only.

1. Assemble the operating cable to the fountain bracket. (Fountain should be mounted to exterior wall). The adjustment nuts should be adjusted as per the fountain's instructions. Create a loop in the cable and thread the free end of the cable through the wall into the freeze resistant box.
2. Connect free end of operating cable to the valve-operating bracket in the freeze resistant box.
3. Remove cable free play by adjusting the jam nuts on the ends of the operating cable. See Figure 3.
4. Connect water line from fountain bubbler into freeze resistant box. The connection to the box uses a quick connect water fitting. Position the water line, in the fountain, to drain back into interior mounted box. Any water left standing, in the exterior line, can freeze. See Figure 5.

To insert tubing, push tube straight into fitting until it reaches a positive stop. To remove tubing from the fittings, relieve water pressure, push in on dark gray collar while pulling out on the tubing. See Figure 8.

5. Connect drain and water supply lines to the freeze resistant fountain. Refer to Figure 1 for component positions. Inline strainer must be used on the inlet water line. See Figure 7.

### Start-up

1. Turn on building water supply and check all connections for leaks. Repair as required.
2. Stream height is factory set at 35 PSI. If stream height needs to be changed adjust screw on regulator, behind regulator pivot bracket. See Figure 11. Clockwise adjustment raises stream height, counter clockwise adjustment will lower stream.
3. Adjust operating cable as required. Cable system should have a minimal amount of free play to allow for proper valve operation. If the system is too tight the valve will stay in the on position creating constant water flow. Too much free play will result in non-operation of the valve with the push-buttons.
4. Note: Water from the drain back tube will continue to run while the valve is actuated. (Reference Item 6).
5. After cable system is adjusted properly stuff flexible insulation into any openings between the outside wall and the interior box.
6. Recheck all connections. If all connections are leak free replace cover(s) on the freeze resistant box(es) and fountain(s).

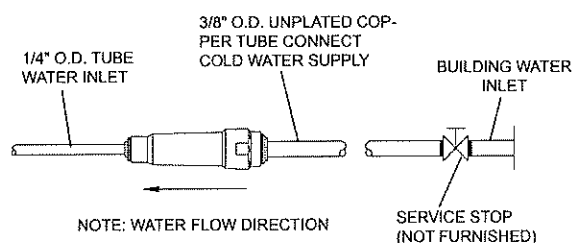


FIG. 7

### OPERATION OF QUICK CONNECT FITTINGS

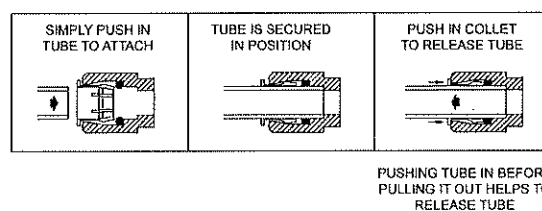


FIG. 8

PARTS LIST

ITEM NO.	PART NO.	DESCRIPTION
1	98733C	KIT - REGULATOR/HOLDER/NUTS
2	27312C	COVER - BODY
3	98858C	KIT - FREEZE BOX REGULATOR BRKTS/ ROD/BUSHINGS/CLIP
4	98861C	KIT - FREEZE BOX WATER OUTLET ASSY 1/4" UNION FITTING/BULKHEAD FITTING
5	27984C	FREEZE RESISTANT BODY ASSY/SCREW
6	98859C	KIT - FREEZE BOX CHECK VALVE/O'RING
7	98860C	KIT - FREEZE BOX WASTE LINE
8	55996C	STRAINER
NS	75582C	OPERATING CABLE

NS - NOT SHOWN

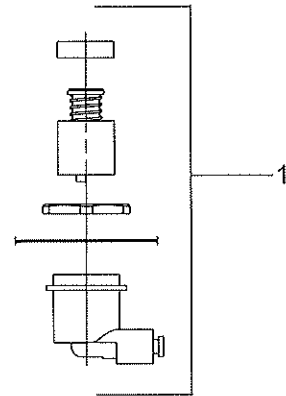


FIG. 9

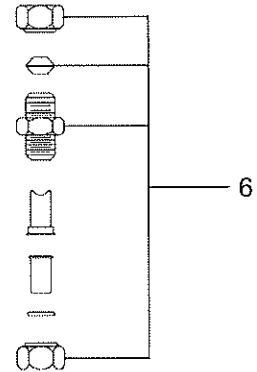


FIG. 10

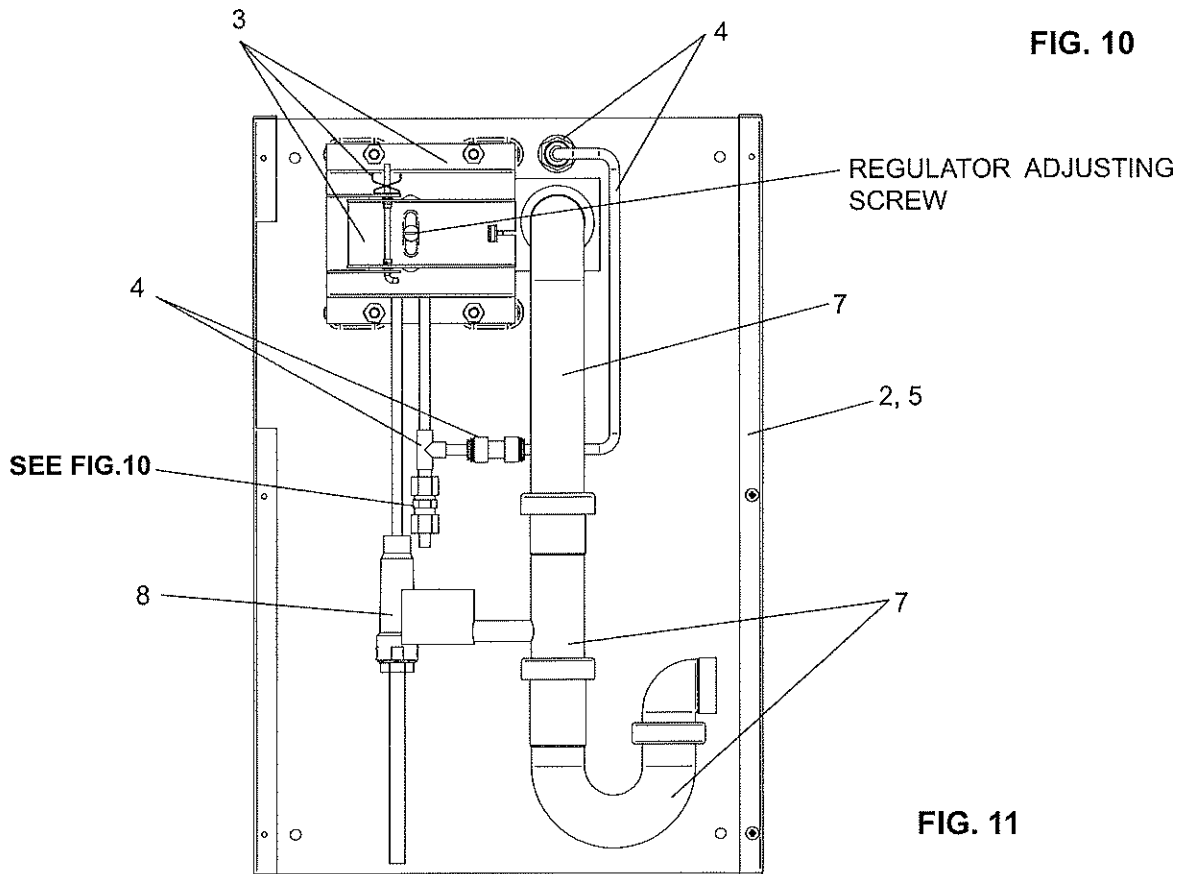
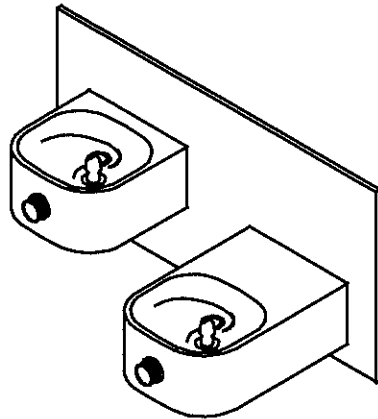


FIG. 11

# Installation Manual

## Soft Sides® Freeze Resistant Fountain



EDFP217FPC

### INSTALLER

Elkay Fountains are among the easiest to install Fountains on the market today. To assure you install these models easily and correctly, PLEASE READ THESE SIMPLE INSTRUCTIONS BEFORE STARTING THE INSTALLATION. CHECK YOUR INSTALLATION FOR COMPLIANCE WITH PLUMBING, ELECTRICAL, AND OTHER APPLICABLE CODES. After installation, leave these instructions with the Fountain for future reference. This Freeze Resistant Fountain is shipped in two separate cartons. The second carton(s) contains the Freeze Resistant Package(s) **LKFRB1** that are installed on an interior heated wall. The interior space must maintain a minimum temperature of 50° F (10° C). Refer to the Freeze Resistant Package for the rough-in dimensions for installation.

### IMPORTANT

**ALL SERVICE TO BE PERFORMED BY AN AUTHORIZED SERVICE PERSON.**

### IMPORTANT! INSTALLER PLEASE NOTE.

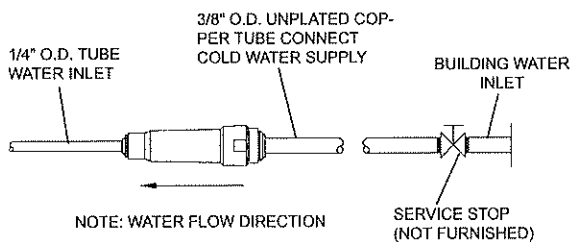
THE GROUNDING OF ELECTRICAL EQUIPMENT SUCH AS TELEPHONE, COMPUTERS, ETC. TO WATER LINES IS A COMMON PROCEDURE. THIS GROUNDING MAY BE IN THE BUILDING OR MAY OCCUR AWAY FROM THE BUILDING. THIS GROUNDING CAN CAUSE ELECTRICAL FEEDBACK INTO A FOUNTAIN, CREATING AN ELECTROLYSIS WHICH CAUSES A METALLIC TASTE OR AN INCREASE IN THE METAL CONTENT OF THE WATER. THIS CONDITION IS AVOIDABLE BY USING THE PROPER MATERIALS AS INDICATED. ANY DRAIN FITTINGS PROVIDED BY THE INSTALLER SHOULD BE MADE OF PLASTIC TO ELECTRICALLY ISOLATE THE FOUNTAIN FROM THE BUILDING PLUMBING SYSTEM.

The freeze resistant package must be mounted on an interior wall in a heated area. The room temperature of the interior heated area must be 50° F (10° C) or higher. The freeze resistant package may be surface or recessed mounted. If recess mounted the surface of the cover must be flush with the interior wall surface. The package is furnished with screws for mounting the cover to the box. If the box is recess mounted, do not fasten the top and bottom of the cover to the box. Use the holes on the front only.

1. Fountains using the MPW Mounting Plate refer to Fig's. 6 or 8 for hanger bracket location and rough-in dimensions.  
NOTE: Review separate installation instructions for details of the MPW Mounting Plate. Fountains using the MP20 Wall Plate Assy. refer to Fig. 4 for rough-in dimensions.
2. Shown dimensions pertain to installation location (framing must support up to 150 lbs. weight for single fountain and 300 lbs. for dual fountains). These dimensions are required for compliance with ANSI Standard A117.0.
3. Installing back panel.  
EDFP217FPC: Refer to Fig. 17 for placement of braces onto back panel. Place the upper edge of the panel above hanger bracket. Slide the panel down until it engages the hanger bracket. Be sure back panel is firmly engaged before releasing it.  
EDFP217FPC w/MP20 Wall Plate Assy: Place the upper edge of the panel above mounting plate on the wall. Slide the panel down until it engages the hanger. Be sure back panel is firmly engaged before releasing it.
4. Remove bottom access panel from fountain basin and save the screws.  
EDFP217FPC: Install the fountain to the back panel and wall using (4) 5/16" x 2.00" long lag bolts and washers (NOT PROVIDED).  
EDFP217FPC w/MPW Mounting Plate: Install the fountain to the back panel and wall using (4) 5/16 " x 6" long threaded rods, washers, and nuts (provided). Tighten securely.  
EDFP217FPC w/MP20 Wall Plate Assy: Install the fountain to the back panel and wall using (4) 5/16" x 3/4" long bolts and washers (provided) thru holes in back panel. A washer is used on the bottom two (2) holes only. Tighten securely.
5. Assemble the operating cable to the fountain bracket. (Fountain should be mounted to exterior wall) The adjustment nuts should be in the middle of threaded area on the operating cable. See Figure 10. Create a loop in the cable and thread the free end of the cable through the wall into the freeze resistant box.
6. Connect free end of operating cable to the valve-operating bracket in the freeze resistant box. Remove cable free play by adjusting the jam nuts on the ends of the operating cable. See Figure 11.
7. Connect water line from fountain bubbler into freeze resistant box. The connection to the box uses a quick connect water fitting. Position the water line, in the fountain, to drain back into interior mounted box. Any water left standing, in the exterior line, can freeze. See Fig. 14.  
  
To insert tubing, push tube straight into fitting until it reaches a positive stop. To remove tubing from the fittings, relieve water pressure, push in on dark gray collar while pulling out on the tubing. See Figure 2.
8. Connect drain and water supply lines to the freeze resistant fountain. Refer to Figure's 3 thru 9 for component positions. Inline strainer must be used on the inlet water line. See Fig. 1.

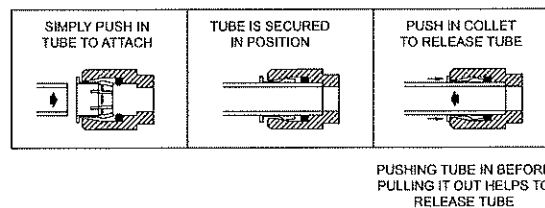
**Start-up**

1. Turn on building water supply and check all connections for leaks. Repair as required.
2. Stream height is factory set at 35 PSI. If stream height needs to be changed adjust the regulator in the freeze resistant package. Clockwise adjustment raises stream height, counter clockwise adjustment will lower stream.
3. Adjust operating cable as required. Cable system should have a minimal amount of free play to allow for proper valve operation. If the system is too tight the valve will stay in the on position creating constant water flow. Too much free play will result in non-operation of the valve with the push-buttons.
4. Note: Water from the drain back tube in the freeze resistant package, will continue to run while the valve is actuated.
5. After cable system is adjusted properly stuff flexible insulation into any openings between the outside wall and the interior box.
6. Recheck all connections. If all connections are leak free replace cover(s) on the freeze resistant box(es) and fountain(s).



**FIG. 1**

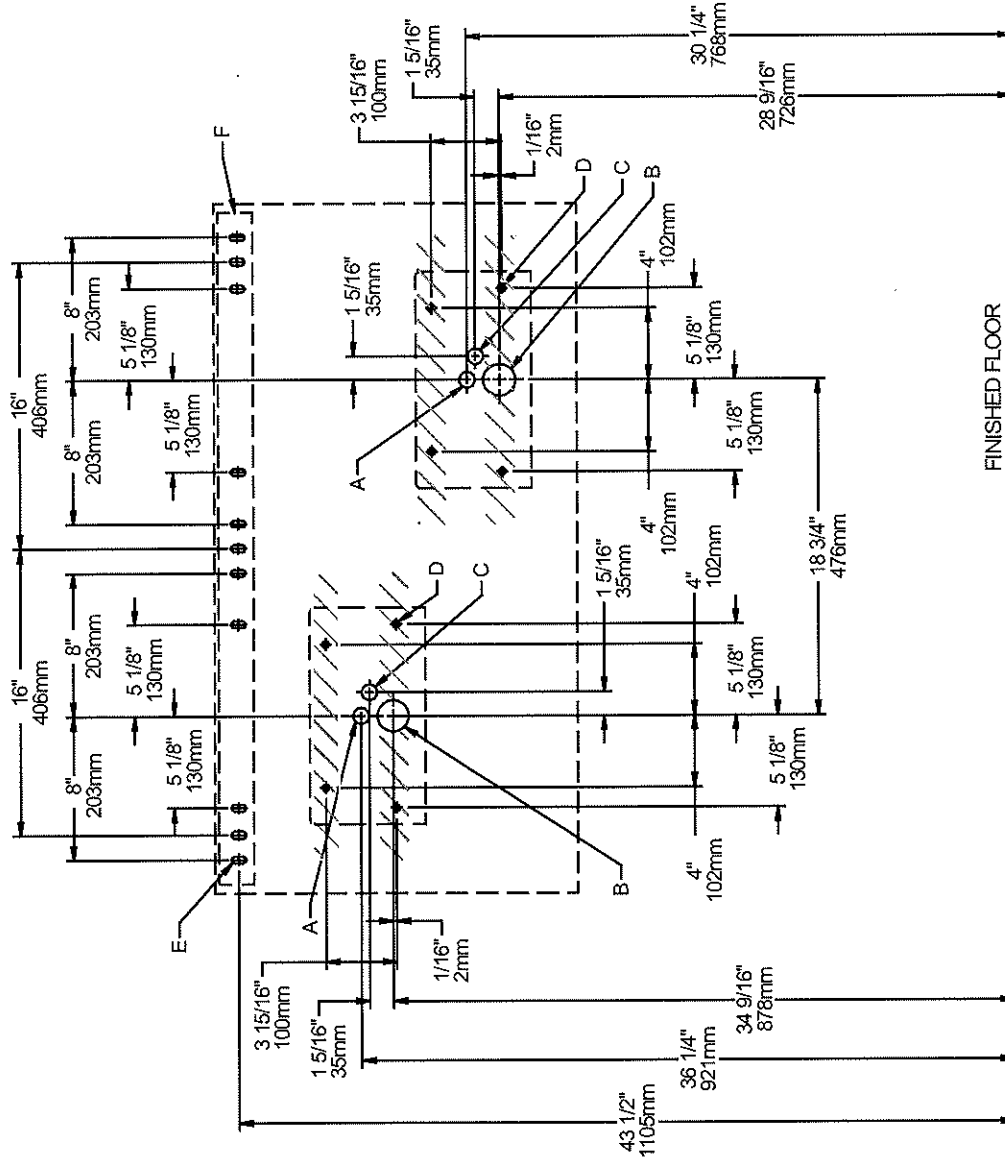
**OPERATION OF QUICK CONNECT FITTINGS**



**FIG. 2**



**EDFP217FP ROUGH-IN**



FINISHED FLOOR

**LEGEND**

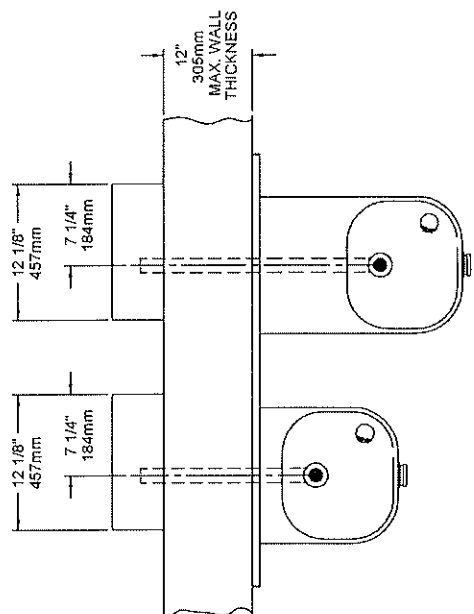
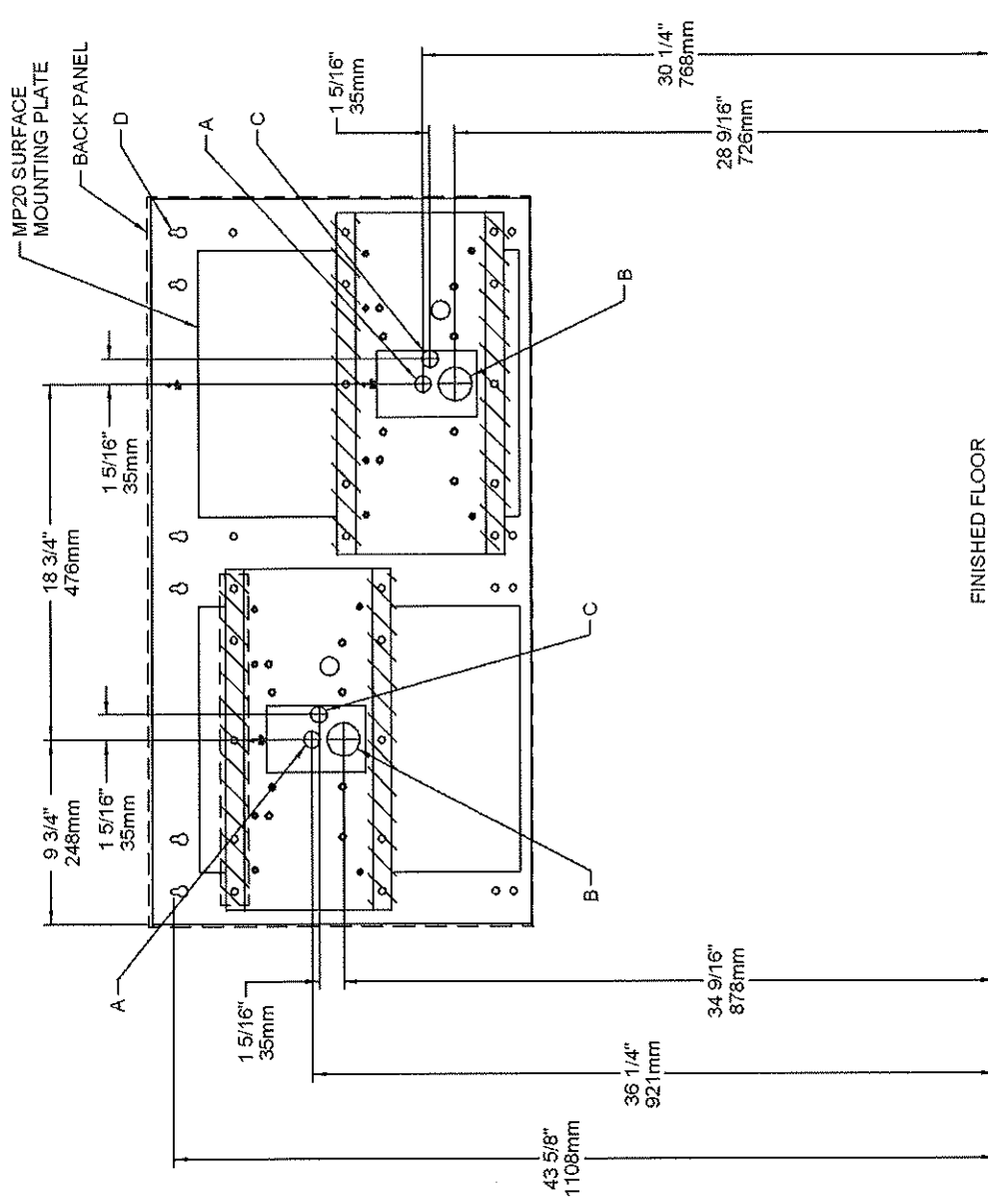
- A = 7/8" DIA. (22mm) HOLE FOR WATER SUPPLY TUBE
- B = 1-3/4" DIA. (44mm) HOLE FOR WASTE LINE
- C = 7/8" DIA. (22mm) HOLE FOR OPERATING CABLE
- D = MOUNTING BOLT LOCATIONS (8) (3/8" DIA. NOT PROVIDED)
- E = 3/8" DIA. (10mm) SLOTS FOR MOUNTING HANGER TO WALL
- F = WALL HANGER FURNISHED LOOSE

\*Note: All dimensions are taken from the finished floor on the the side of the wall the fountain is installed on.

**FIG. 3**

**NOTE: REINFORCE WALL IN SHADED AREAS.**

EDFP217FP W/MOUNTING PLATE ROUGH-IN



LEGEND

- A = 7/8" DIA. (22mm) HOLE FOR WATER SUPPLY TUBE
- B = 1-3/4" DIA. (44mm) HOLE FOR WASTE LINE
- C = 7/8" DIA. (22mm) HOLE FOR OPERATING CABLE
- D = 1/4" DIA. (6mm) HOLE FOR MOUNTING PLATE TO WALL

\*Note: All dimensions are taken from the finished floor on the side of the wall the fountain is installed on.

FIG. 4

NOTE: REINFORCE WALL IN SHADED AREAS.

EDFP217FP ROUGH-IN

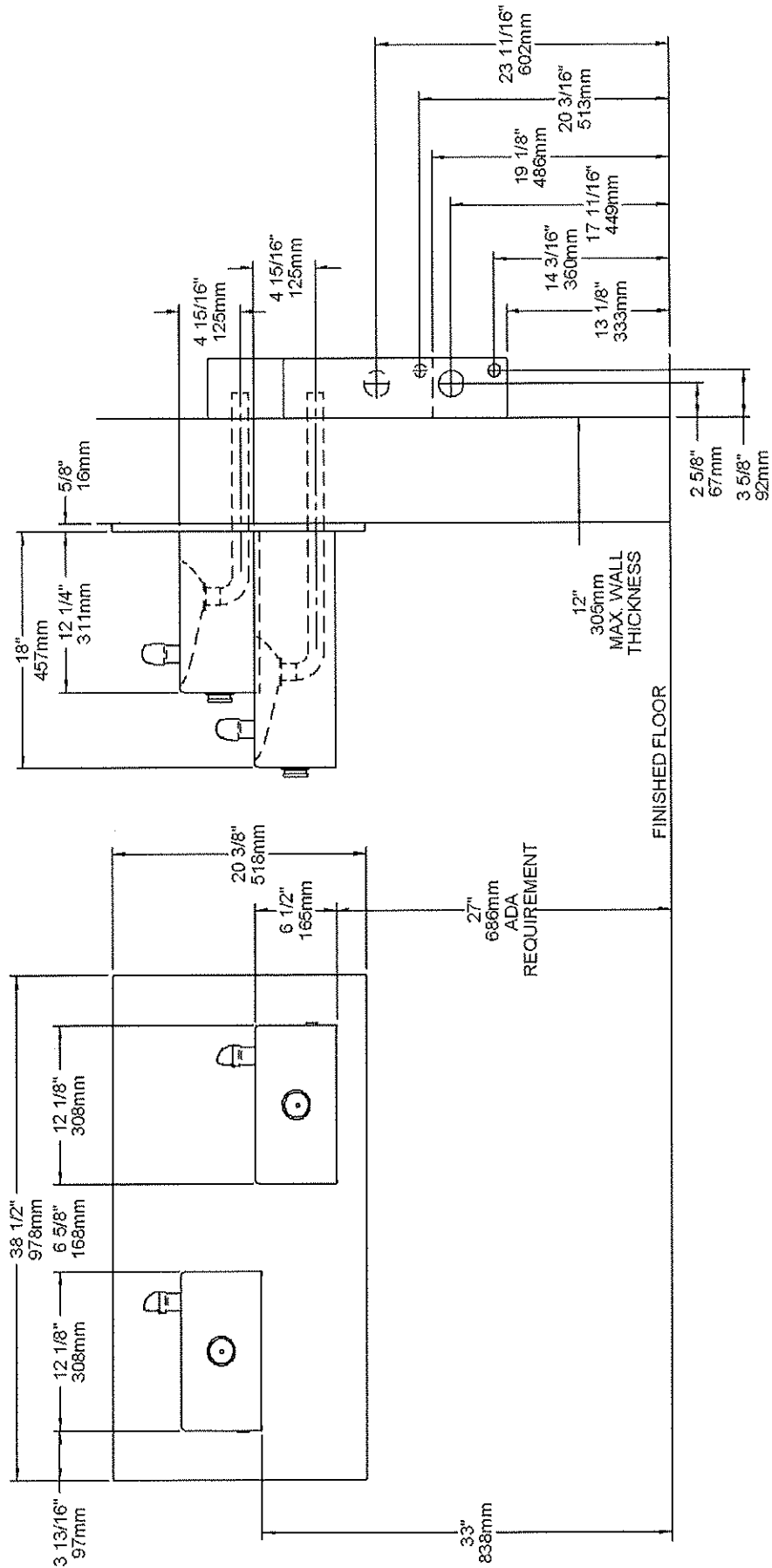


FIG. 5

EDFP217FP W/MPW200 MOUNTING PLATE ROUGH-IN

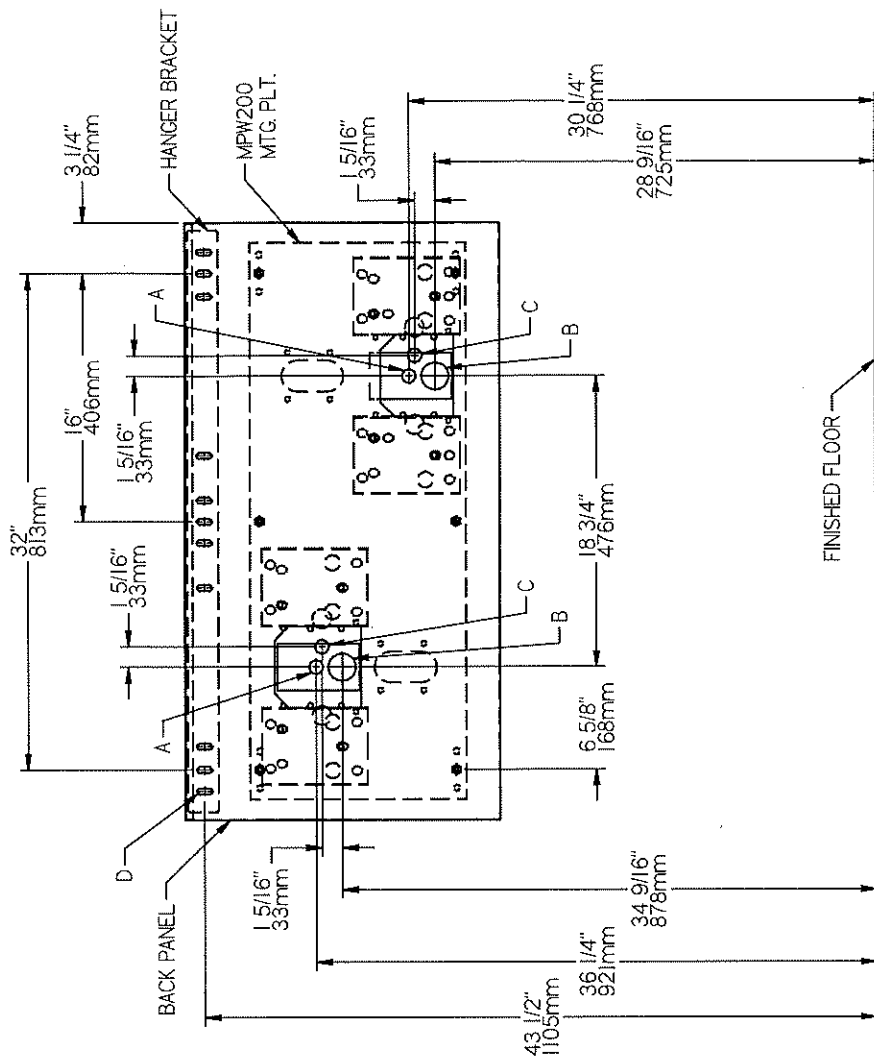
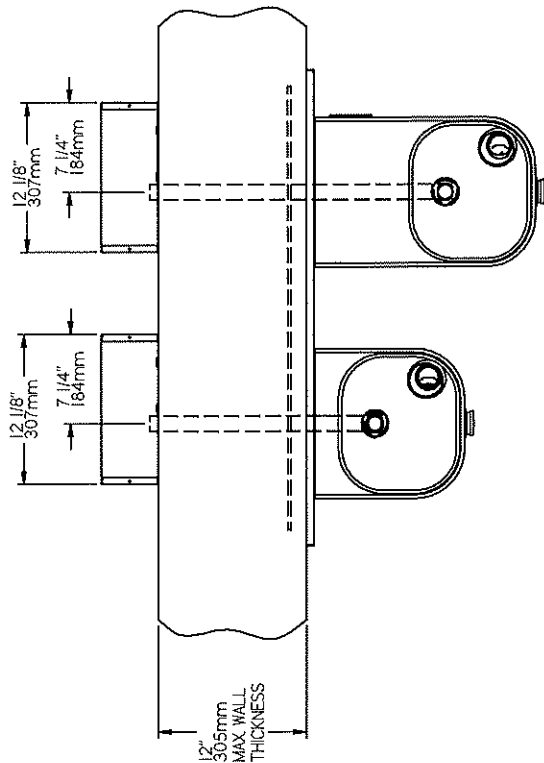


FIG. 6



LEGEND

A = 7/8" DIA. (22mm) HOLE FOR WATER SUPPLY TUBE

B = 1-3/4" DIA. (44mm) HOLE FOR WASTE LINE

C = 7/8" DIA. (22mm) HOLE FOR OPERATING CABLE

D = 1/4" DIA. (6mm) HOLE FOR MOUNTING PLATE TO WALL

\*Note: All dimensions are taken from the finished floor on the side of the wall the fountain is installed on.

EDFP217FP W/MPW200 MOUNTING PLATE ROUGH-IN

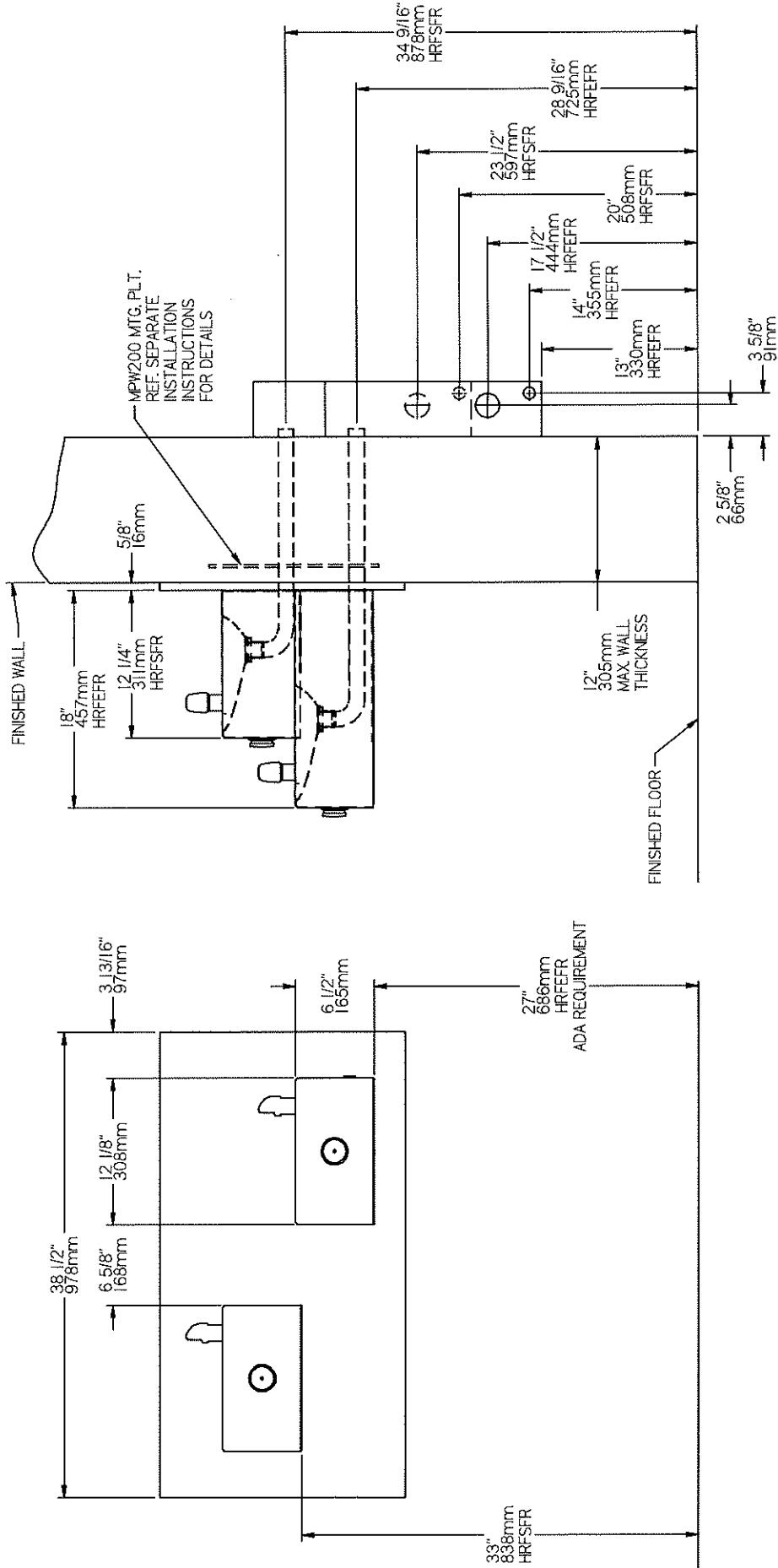


FIG. 7

EDFP217FPRA C W/MPW200 MOUNTING PLATE ROUGH-IN

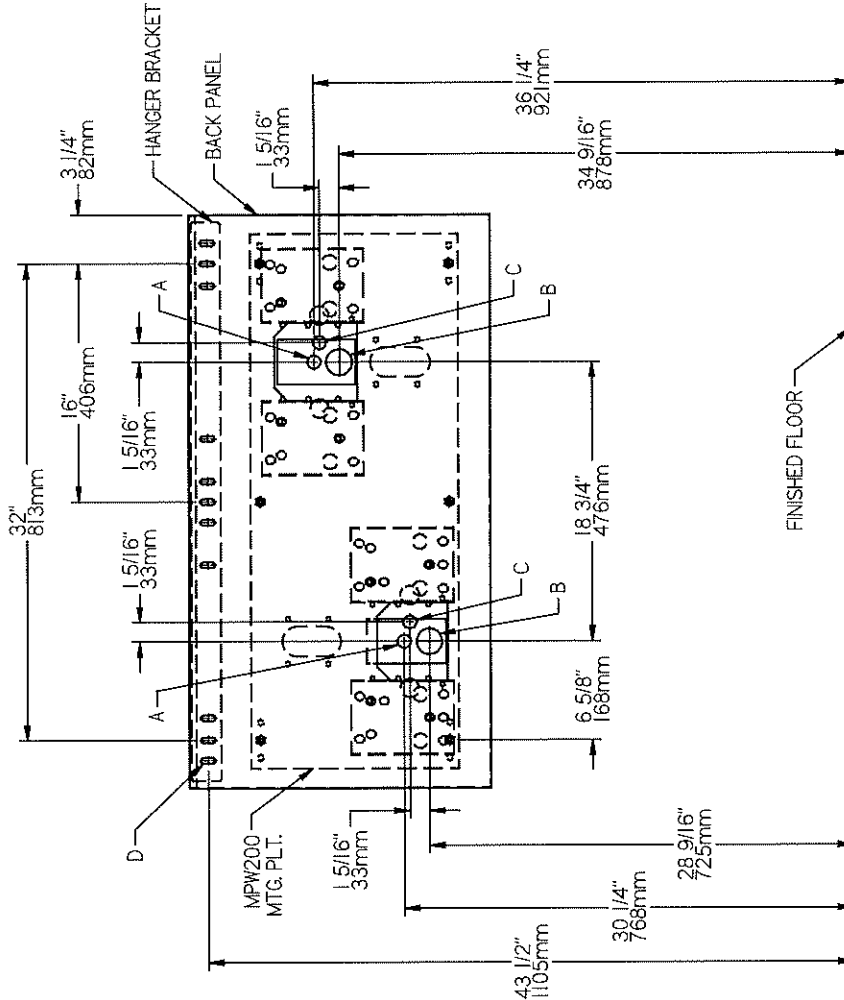
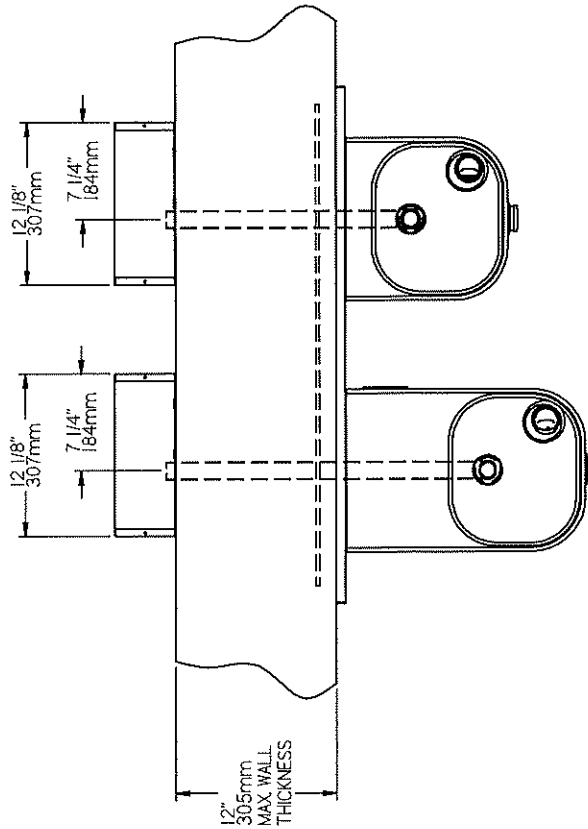


FIG. 8



LEGEND

A = 7/8" DIA. (22mm) HOLE FOR WATER SUPPLY TUBE

B = 1-3/4" DIA. (44mm) HOLE FOR WASTE LINE

C = 7/8" DIA. (22mm) HOLE FOR OPERATING CABLE

D = 1/4" DIA. (6mm) HOLE FOR MOUNTING PLATE TO WALL

\*Note: All dimensions are taken from the finished floor on the side of the wall the fountain is installed on.

EDFP217FPRA C W/MPW200 MOUNTING PLATE ROUGH-IN

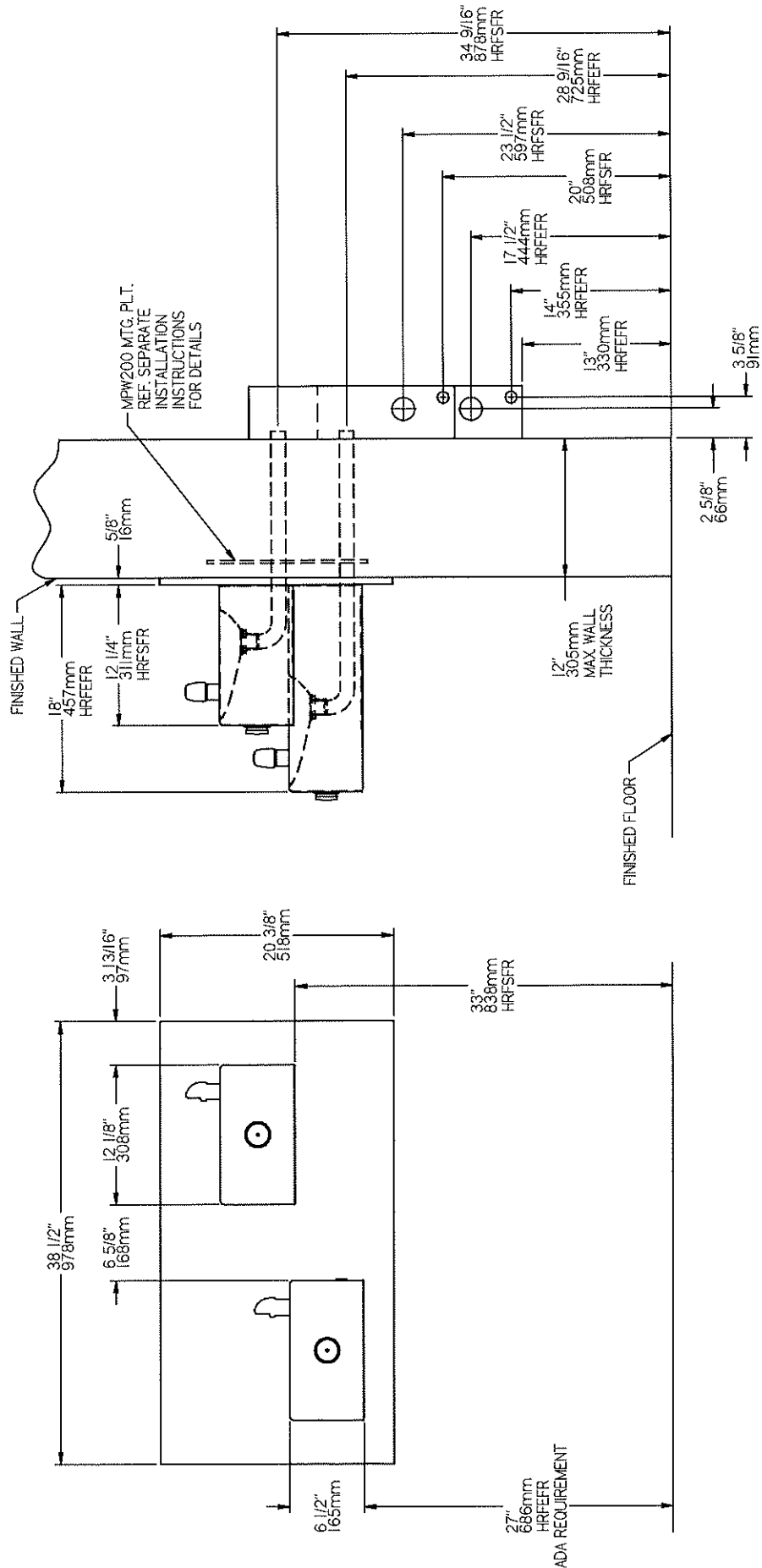
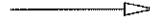


FIG. 9

CABLE SHEATH ADJUSTMENT

To Increase Free Play



To Reduce Free Play

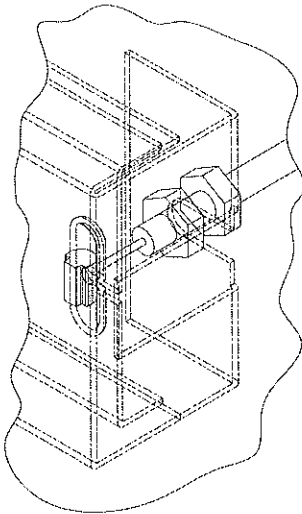


FIG. 10

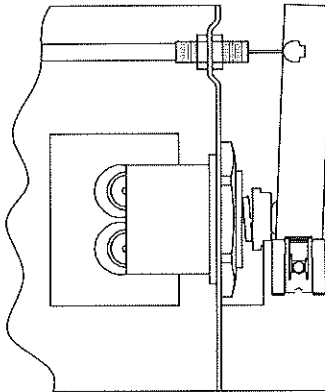


FIG. 11

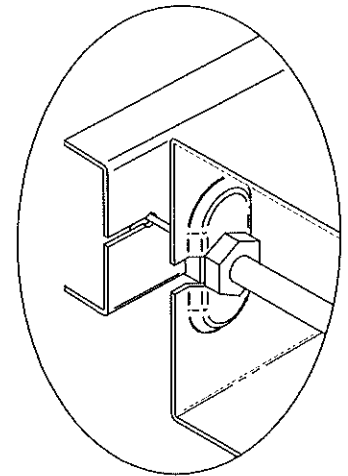


FIG. 12

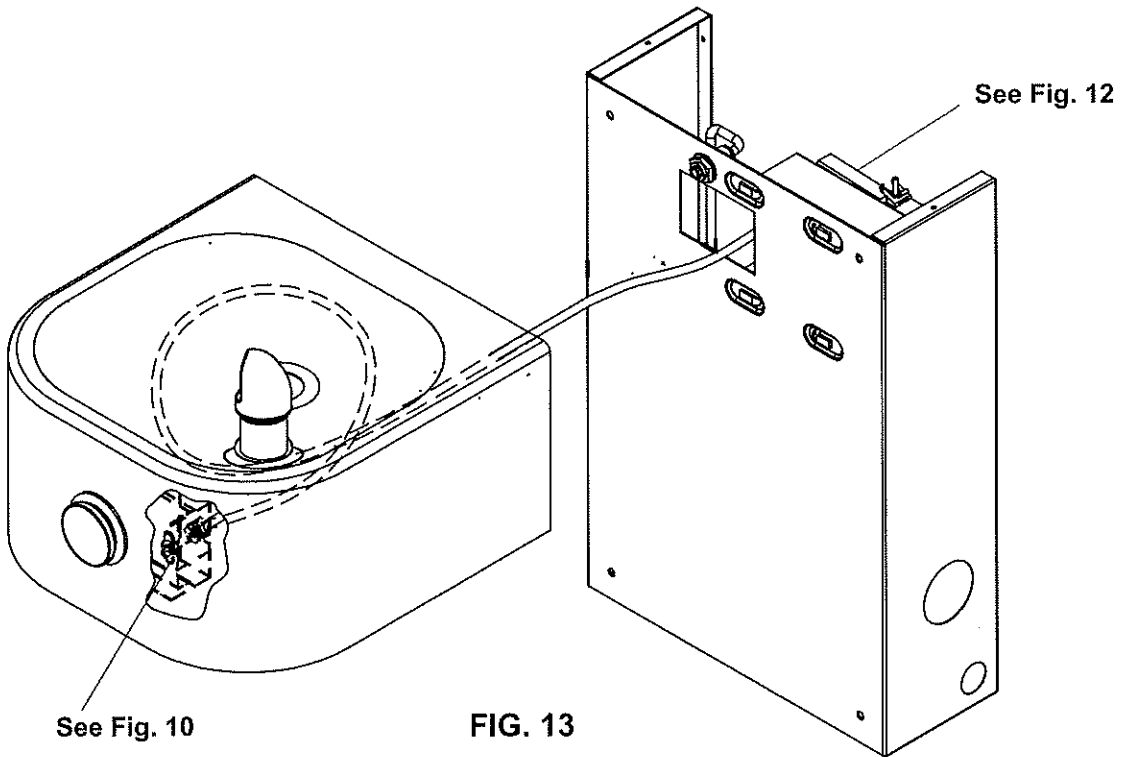


FIG. 13

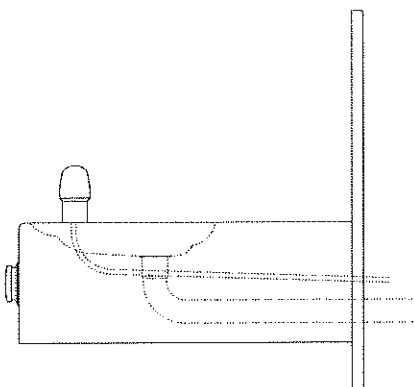


FIG. 14

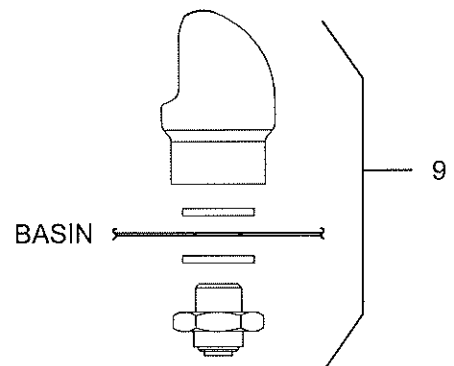


FIG. 15



PARTS LIST

ITEM NO.	PART NO.	DESCRIPTION
1	56092C	POLY TUBING-CUT TO LENGTH
2	75570C	SCREW-#10 X .50 PINNED TORX
3	56280C	EDGE TRIM
4	28823C	BRACKET - REGULATOR MOUNTING
5	27945C	BRACKET - BASIN
6	27946C	BRACKET - BASIN PIVOT
7	40045C	HEX NUT 1-5/16
8	40206000	RETAINER
9	98118C	BUBBLER ASSEMBLY
10	45662C	PUSH BUTTON
11	45663C	SLEEVE-PUSH BUTTON GUIDE
12	50198C	SNAP BUSHING
13	51667C	BUMPER-REG. VALVE ASSY
14	55919C	PUSH BUTTON (EXTENSION)
15	70425C	PIVOT ROD
16	28782C	FOUNTAIN ARM - SHORT
17	28783C	FOUNTAIN ARM - LONG
18	55000661	BOTTOM COVER PLATE - SHORT
19	55000665	BOTTOM COVER PLATE - LONG
20	28250C	BACK PANEL RH ADA
	28252C	BACK PANEL LH ADA
21	75672C	CAP SCREW
22	72000833	WASTE ARM ASSY
23	28234C	BRACE - CHANNEL
NS	27090C	BRKT - HANGER PANEL
NS	75520C	BIT - PINNED TORX

NS - NOT SHOWN

FIG. 16

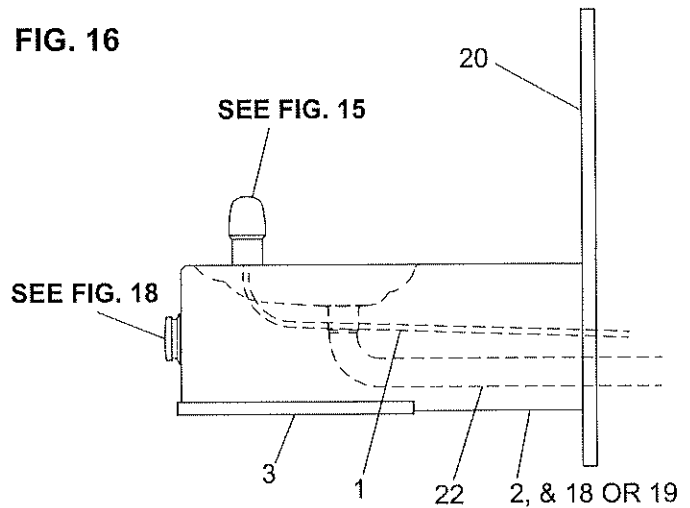
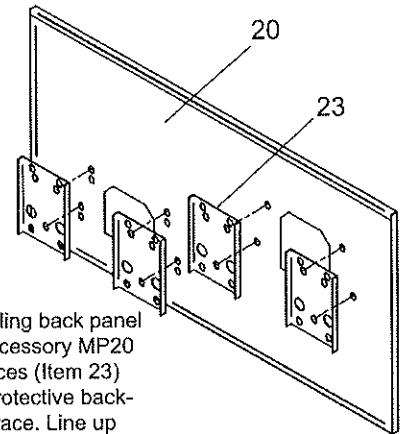
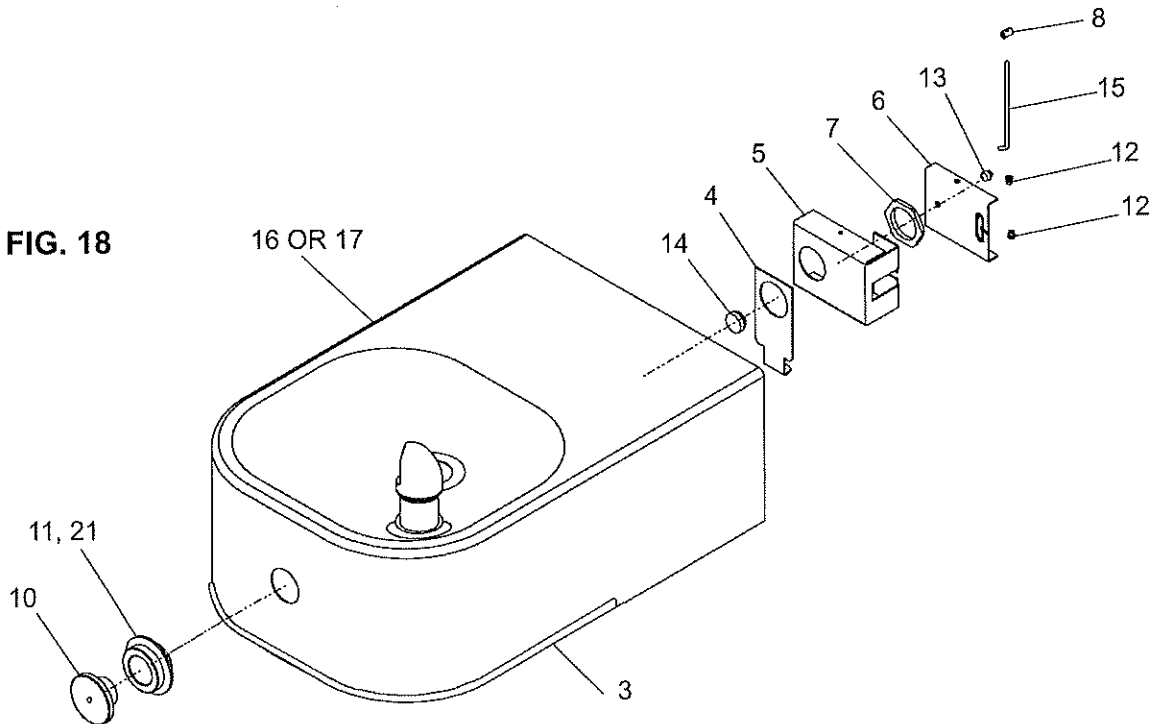


FIG. 17



**Installing back panel:** When installing back panel (Item 20) without mounting plate accessory MP20 or MP20RA, attach (4) channel braces (Item 23) as shown in Fig. 17. Remove the protective backing from the tape installed on the brace. Line up the corresponding holes in the brace and back panel and press firmly in place.

FIG. 18



## LIMITED PRODUCT WARRANTY SOFTWARE LICENSE

**FIRST YEAR** - - The Manufacturer warrants every cooler, bottle filling station, packaged water chiller, fountain and accessory to be free from defects in materials and workmanship under normal use for one (1) year from date of install or eighteen (18) months from date of shipment from factory, whichever occurs first. The Manufacturer warrants every LK44 Series outdoor tubular fountain and bottle filling station to be free from defects in materials and workmanship under normal use for five (5) years from the date of install or sixty-six (66) months from date of shipment from factory, whichever occurs first. This extended warranty does not apply to freeze resistant assemblies.

**SECOND THROUGH FIFTH YEARS** - The Manufacturer warrants the compressor and hermetically sealed refrigeration system, including cooling coils or tank assembly when part of the hermetically sealed refrigeration system, to be free from defects in material and workmanship under normal use for an additional four (4) years from the end of the one (1) year period described above. Packaged water chillers are not subject to the additional four (4) year warranty when used in chilled water commercial/industrial applications other than for potable water.

**INSTALLATION AND OPERATION** - The foregoing Limited Warranty applies only when the product is installed and operated in accordance with the Manufacturer's written instructions included with each unit. These products are designed to operate on 20 psi to 105 psi supply line pressure. Non-filtered Bi-level units require a minimum of 40 psi supply line pressure to ensure adequate stream height from each bubbler when activated simultaneously. Bi-level filtered models, regardless of supply line pressure, cannot provide adequate stream height from each bubbler when activated simultaneously. The Limited Warranty does not apply to products, which on examination by the Manufacturer or its agent, are found to have been subjected to accident, alteration, abuse, misuse, misapplications, corrosive type atmospheres, or abnormal use.

**OWNER'S OBLIGATIONS** - It is the owner's obligation to pay for any repairs or maintenance not covered by the Limited Warranty, including service calls related to non-warranty issues. Any appearance imperfections are to be noted at time of installation, and the installer or the supplier notified without delay. In the case of products located within the United States or Canada, it is the owner's responsibility to allow access to the unit for the authorized service center to repair on site and/or remove unit from wall to repair at the authorized service center's discretion. In the case of products located outside the United States or Canada, the owner is to return any part for which replacement is sought to the closest authorized service center or to the manufacturer's factory repair department.

**MANUFACTURER'S OBLIGATIONS** - When the product is located within the United States or Canada, the Manufacturer's obligation under this Limited Warranty is limited to the labor and parts to repair or replace any part which is expressly covered by this Limited Warranty at one of its authorized service centers or at its factory repair department. The warranty applicable to any replacement unit shall be the remaining warranty period on the replaced unit. The Manufacturer's obligation also includes cost of outbound freight (but not express freight) of the part or parts from an authorized service center or the factory repair department, but only if the Manufacturer determines that the part or parts, and the purported defect or defects, are covered by this Limited Warranty.

When the product is located outside the United States or Canada, the Manufacturer's obligation under this Limited Warranty is limited to providing a replacement part for any part expressly covered by this Limited Warranty which, upon examination by the Manufacturer or its agent, is found to be defective, but does not include any obligation to provide labor or to pay labor costs incurred in connection with the replacement. The Manufacturer's obligations also include cost of outbound freight (but not express freight) of the part or parts from the factory repair department to (but not beyond) the port in the United States from which the part or parts are shipped to the ultimate destination, but only if the Manufacturer determines that the part or parts, and the purported defect or defects, are covered by this Limited Warranty.

**WHAT WARRANTY DOES NOT COVER** - This Limited Warranty does not include payment for any field labor to provide for normal maintenance including adjustments such as water stream height, water temperature or electric eye sensitivity. The water system and regulating valve are not covered by this Limited Warranty if they become inoperative due to liming, sand or similar residue. This Limited Warranty is voided if repairs are made by an unauthorized party or the serial number data plate is removed or defaced. Normal deterioration of finish due to use and exposure is not covered by this Limited Warranty. Corrosion of materials is also not covered by this Limited Warranty. The Manufacturer is not liable for repairs, whether cosmetic or structural, to walls where cooler, bottle filler, fountain and packaged water coolers are built into the wall. If inlet pressure is above 105 psi, a pressure regulator must be installed in the supply line. Any damage caused by reason of connecting this water cooler, bottle filler, fountain or packaged water cooler to supply line pressures lower than 20 psi or higher than 105 psi is not covered by this warranty.

**PERSONS ENTITLED TO BENEFIT OF WARRANTY** - This Limited Warranty is applicable only to (i) purchasers who purchase the product for the resale in the ordinary course of business, and (ii) the first person who purchases the product other than resale.

**SOFTWARE LICENSE PROVISIONS** - To the extent the product includes embedded software, the owner and those using the product are granted a restricted, non-exclusive license to use such embedded software. Title to the embedded software shall at times remain with the embedded software licensor. The owner and those using the product shall not remove or alter notices, legends or trademarks contained in the embedded software, nor shall they translate, reverse engineer, decompile or disassemble the embedded software except to the extent applicable law specifically prohibits this restriction. The embedded software is provided "as is" and any warranty offered herein is by or through the Manufacturer. Further information concerning this license of embedded software is available from the Manufacturer.

THIS LIMITED WARRANTY IS IN LIEU OF ALL OTHER EXPRESS WARRANTIES, EXPRESSED OR IMPLIED, ARISING BY LAW OR OTHERWISE, INCLUDING WITHOUT LIMITATION, THE IMPLIED WARRANTIES OF MERCHANTABILITY AND FITNESS FOR A PARTICULAR PURPOSE. EXCEPT AS EXPRESSLY PROVIDED HEREIN, THE MANUFACTURER MAKES NO WARRANTIES, EXPRESSED OR IMPLIED, ARISING BY LAW OR OTHERWISE, INCLUDING WITHOUT LIMITATION, THE IMPLIED WARRANTIES OF MERCHANTABILITY AND FITNESS FOR A PARTICULAR PURPOSE, TO ANY PERSON. THIS WARRANTY MAY NOT BE ALTERED, VARIED, OR EXTENDED, EXCEPT BY A WRITTEN INSTRUMENT EXECUTED BY THE MANUFACTURER. THE REMEDY OF REPAIR OR, WHERE APPLICABLE, REPLACEMENT AS PROVIDED UNDER THIS LIMITED WARRANTY IS EXCLUSIVE. IN NO EVENT SHALL THE MANUFACTURER BE LIABLE FOR ANY CONSEQUENTIAL OR INCIDENTAL DAMAGES TO ANY PERSON, WHETHER OR NOT OCCASIONED BY NEGLIGENCE OF THE MANUFACTURER, INCLUDING WITHOUT LIMITATION DAMAGES FOR LOSS OF USE, COSTS OR SUBSTITUTION, PROPERTY DAMAGE, OR OTHER MONETARY LOSS.

This Limited Warranty gives specific legal rights and in some states of the United States there may be other rights which vary from state to state.

DATE OF INSTALLATION \_\_\_\_\_

SERIAL NUMBER \_\_\_\_\_  
(To Be Filled in By Installer)

Elkay Sales, Inc  
2222 Camden Court  
Oak Brook, Illinois 60523  
630.574.8484

Form to be left with the owner by the installer.

Garantía Limitada del Producto  
Licencia de Software

PRIMER AÑO: El fabricante garantiza que todo enfriador de agua, estación llenadora de botellas, enfriador de agua empaquetado, fuente de agua potable y accesorio sea libre de defectos de material y mano de obra bajo uso normal durante un (1) año a partir de la fecha de instalación o dieciocho (18) meses a partir de la fecha de envío de la fábrica, lo que ocurra primero. El fabricante garantiza que todas las estaciones llenadoras de botellas y bebedores tubulares para exteriores de la serie LK44 estarán libres de defectos en sus materiales y en la mano de obra bajo uso normal por cinco (5) años desde la fecha de instalación o sesenta y seis (66) meses a partir de la fecha de envío desde la fábrica, lo que ocurra primero. Esta garantía extendida no se aplica a los conjuntos resistentes a la congelación.

SEGUNDO HASTA EL QUINTO AÑO: El fabricante garantiza que el compresor y el sistema de refrigeración herméticamente sellado, que incluye serpientes de enfriamiento o conjuntos de tanque cuando son parte del sistema de refrigeración herméticamente sellado, están libres de defectos en sus materiales y en la mano de obra bajo condiciones de uso normal durante cuatro (4) años adicionales a partir del término del periodo de un (1) año descrito anteriormente. Los enfriadores de agua empaquetados no están sujetos a la garantía de cuatro (4) años adicionales cuando se usan en aplicaciones comerciales o industriales de agua enfriada que no sean para agua potable.

INSTALACIÓN Y FUNCIONAMIENTO: La garantía limitada mencionada anteriormente solo se aplica cuando el producto se instala y opera de acuerdo con las instrucciones por escrito del fabricante que se incluyen con cada unidad. Estos productos están diseñados para funcionar con presiones de tubería de suministro de 20 a 105 psi. Las unidades de dos niveles sin filtración requieren un mínimo de 40 psi de presión de tubería de suministro para garantizar una altura de flujo adecuada de cada boquilla cuando se activen simultáneamente. Los modelos de dos niveles con filtro, sin considerar la presión de tubería de suministro, no pueden proporcionar una altura de flujo adecuada de cada boquilla cuando se activan simultáneamente. La garantía limitada no se aplica a los productos que, una vez sometidos a revisión por parte del fabricante o su agente, se determine que han sufrido accidentes, alteraciones, o han sido sometidos a abuso, uso indebido, aplicación incorrecta, ambientes corrosivos o uso anormal.

OBLIGACIONES DEL PROPIETARIO: Es obligación del propietario pagar cualquier reparación o mantenimiento que no esté cubierto por la garantía limitada, lo que incluye llamadas al servicio técnico relacionadas con problemas que no cubre la garantía. Cualquier imperfección que se observe se debe señalar al momento de la instalación y se debe informar inmediatamente al instalador o al proveedor. En el caso de productos que se encuentren dentro de los Estados Unidos o Canadá, será responsabilidad del propietario permitir el acceso a la unidad para que el centro de servicio técnico autorizado realice la reparación en el lugar o retire la unidad para repararla, según sea su criterio. En el caso de productos que se encuentren fuera de los Estados Unidos o Canadá, el propietario debe devolver cualquier pieza que se solicite reemplazar, al centro de servicio técnico autorizado más cercano o al Departamento de Reparaciones del fabricante.

OBLIGACIONES DEL FABRICANTE: Cuando el producto se encuentre dentro de los Estados Unidos o Canadá, la obligación del fabricante según esta garantía limitada estará restringida a la mano de obra y piezas necesarias para reparar o reemplazar cualquier pieza que esté expresamente cubierta por esta garantía limitada en uno de sus centros de servicio técnico o en el Departamento de Reparaciones del fabricante. La garantía aplicable a cualquier unidad que se reemplace corresponderá al periodo de garantía restante de la unidad reemplazada. La obligación del fabricante también incluye el costo del flete de salida (pero no el flete expreso), de la pieza o piezas desde un centro de servicio técnico autorizado o del Departamento de Reparaciones del fabricante, pero solo si el fabricante determina que la pieza o piezas y el supuesto defecto o defectos están cubiertos por esta garantía limitada.

Cuando el producto se encuentre fuera de los Estados Unidos o Canadá, la obligación del fabricante según esta garantía limitada estará restringida a proporcionar la pieza de reemplazo para cualquier pieza cubierta expresamente por esta garantía limitada, que luego de ser sometida a revisión por el fabricante o su agente se determine que está defectuosa, pero no considera ninguna obligación de proporcionar mano de obra ni de pagar costos de mano de obra incurridos en relación con el reemplazo. La obligación del fabricante también incluye el costo del flete de salida (pero no el flete expreso), de la pieza o piezas desde el Departamento de Reparaciones del fabricante hasta (pero no más allá) el puerto en los Estados Unidos desde el cual la pieza o piezas se envíen a su destino final, pero solo si el fabricante determina que la pieza o piezas y el supuesto defecto o defectos están cubiertos por esta garantía limitada.

LO QUE NO CUBRE ESTA GARANTÍA: Esta garantía limitada no incluye el pago de mano de obra en terreno para realizar mantenimiento normal, lo que incluye ajustes tales como la altura del flujo de agua, la temperatura del agua o la sensibilidad de la célula fotoeléctrica. El sistema de agua y la válvula reguladora no están cubiertos por esta garantía limitada si dejan de funcionar a causa de la presencia de calcificación, arena o residuos similares. Esta garantía limitada quedará nula si una parte no autorizada realiza reparaciones o si se retira o deforma la placa de datos del número de serie. El deterioro normal del acabado debido al uso y la exposición no está cubierto por esta garantía limitada. Esta garantía limitada tampoco cubre la corrosión de los materiales. El fabricante no será responsable por reparaciones estéticas o estructurales, a las paredes en las que están empotrados los enfriadores, las llenadoras de botellas, las fuentes de agua potable y los enfriadores de agua empaquetados. Si la presión de entrada es mayor que 105 psi, se debe instalar un regulador de presión en la tubería de suministro. Cualquier daño provocado a causa de la conexión de este enfriador de agua, llenadora de botellas, fuente de agua potable o enfriador de agua empaquetado a presiones de tubería de suministro inferiores a 20 psi o superiores a 105 psi no está cubierto por esta garantía.

PERSONAS CON DERECHO A LOS BENEFICIOS DE LA GARANTÍA: Esta garantía limitada se aplica solo a (i) compradores que adquirieron el producto para la reventa como parte del desarrollo normal de las actividades comerciales y (ii) la primera persona que compra el producto excepto para la reventa.

DISPOSICIONES DE LA LICENCIA DE SOFTWARE - En la medida que el producto incluye software integrado, se otorga al dueño, y a aquellos que utilicen el producto, una licencia restringida y no exclusiva para utilizar tal software integrado. El derecho al software integrado permanecerá, en todo momento, en poder del creador del software integrado. El dueño y aquellos que usen el producto no eliminarán ni modificarán las notas, leyendas o marcas registradas contenidas en el software integrado; ni traducirán, aplicarán ingeniería inversa, descompilarán o desensamblarán el software integrado; excepto en la medida en que la ley correspondiente prohíba específicamente esta restricción. El software integrado se proporciona "tal como está" y cualquier garantía ofrecida aquí se aplica por o a través del fabricante. Para obtener mayor información disponible sobre esta licencia de software integrado, comuníquese con el fabricante.

ESTA GARANTÍA LIMITADA REEMPLAZA A TODAS LAS DEMÁS GARANTÍAS, EXPRESAS O IMPLÍCITAS QUE SE APLIQUEN POR LEY O DE ALGUNA OTRA MANERA, LO QUE INCLUYE, ENTRE OTRAS, LAS GARANTÍAS IMPLÍCITAS DE COMERCIABILIDAD E IDONEIDAD PARA UN PROPÓSITO EN PARTICULAR. A EXCEPCIÓN DE LO AQUÍ DISPUESTO EXPRESAMENTE, EL FABRICANTE NO PROPORCIONA NINGUNA GARANTÍA EXPRESA O IMPLÍCITA QUE SE APLIQUEN POR LEY O EN OTRAS CIRCUNSTANCIAS, LO QUE INCLUYE, ENTRE OTRAS, GARANTÍAS IMPLÍCITAS DE COMERCIABILIDAD E IDONEIDAD PARA UN PROPÓSITO EN PARTICULAR. ESTA GARANTÍA NO SE PUEDE ALTERAR, MODIFICAR NI EXTENDER, EXCEPTO MEDIANTE UN DOCUMENTO POR ESCRITO FIRMADO POR EL FABRICANTE. LA SOLUCIÓN O REPARACIÓN, O CUANDO CORRESPONDA, EL REEMPLAZO, SEGÚN LO DISPUESTO POR ESTA GARANTÍA LIMITADA ES EXCLUSIVO. EN NINGÚN CASO EL FABRICANTE SERÁ RESPONSABLE POR NINGÚN DAÑO INDIRECTO O INCIDENTAL ANTE NINGUNA PERSONA, SEA O NO A CAUSA DE NEGLIGENCIA DEL FABRICANTE, LO QUE INCLUYE, ENTRE OTROS, DAÑOS POR PÉRDIDA DE USO, COSTOS O SUSTITUCIÓN, DAÑO A LA PROPIEDAD U OTRAS PÉRDIDAS MONETARIAS.

Esta garantía limitada otorga derechos legales específicos y en algunos estados de los Estados Unidos puede haber otros derechos que varían de un estado a otro.

Elkay Sales, Inc  
2222 CAMDEN COURT  
OAK BROOK, ILLINOIS 60523  
630.574.8484

FECHA DE INSTALACIÓN \_\_\_\_\_

NÚMERO DE SERIE \_\_\_\_\_

(Debe llenarlos el instalador)

El instalador debe dejar el formulario en posesión del propietario.

Garantie Limitée du Produit  
Licence de Logicielle

PREMIÈRE ANNÉE - Le Fabricant garantit que chaque refroidisseur, chaque station de remplissage de bouteilles, chaque refroidisseur d'eau monobloc, chaque fontaine et chaque accessoire est exempt de tout défaut de matériaux ou de fabrication dans le cadre d'une utilisation normale d'un (1) an à compter de la date d'installation, ou de dix-huit (18) mois à compter de la date d'expédition de l'usine. Le Fabricant garantit que chaque fontaine tubulaire extérieure et station de remplissage de bouteilles Série LK44 est exempte de tout défaut de matériaux ou de fabrication dans le cadre d'une utilisation normale de cinq (5) ans à compter de la date d'installation, ou de soixante-six (66) mois à compter de la date d'expédition de l'usine, à la première de ces occurrences. La présente garantie étendue ne s'applique pas ensembles résistants au gel.

DEUXIÈME À CINQUIÈME ANNÉE - Le Fabricant garantit que le compresseur et le système de réfrigération hermétiquement scellé, y compris les serpents de refroidissement ou l'ensemble réservoir, lorsqu'ils font partie du système de réfrigération hermétiquement scellé, sont exempts de tout défaut de matériaux ou de fabrication dans le cadre d'une utilisation normale de quatre (4) années supplémentaires à compter de la fin de la période d'un (1) an indiquée ci-dessus. Les refroidisseurs d'eau monobloc ne sont pas soumis à la garantie supplémentaire de quatre (4) ans lorsqu'ils sont utilisés dans des applications commerciales/industrielles de refroidissement d'eau autres que pour l'eau potable.

INSTALLATION ET FONCTIONNEMENT - Cette Garantie limitée n'est applicable que si le produit est installé et utilisé conformément aux instructions écrites du Fabricant, lesquelles instructions sont incluses dans chaque unité. Ces produits sont conçus pour fonctionner avec une pression de conduite d'alimentation de 20 psi à 105 psi. Les unités à deux niveaux sans filtre nécessitent une pression de conduite d'alimentation minimale de 40 psi pour assurer une hauteur de jet adéquate pour chaque barboteur en cas d'activation simultanée. Quelle que soit la pression de la conduite d'alimentation, les modèles à deux niveaux avec filtre, lorsqu'ils sont activés simultanément, ne peuvent fournir une hauteur de jet adéquate pour chaque barboteur. Cette Garantie limitée ne s'applique pas aux produits qui, après examen du Fabricant ou de son mandataire, ont permis de constater qu'ils ont fait l'objet d'un accident, d'une altération, d'un usage abusif ou d'un mauvais usage, d'une application erronée ou exposés dans un environnement de type corrosif ou utilisés de façon anormale.

OBLIGATIONS DU PROPRIÉTAIRE - Le propriétaire a l'obligation de payer pour toute réparation ou tout entretien non couvert(e) par cette Garantie limitée, y compris les appels de service non couverts par ladite garantie. Toutes imperfections sur l'aspect du produit doivent être notées au moment de l'installation, et l'installateur ou le fournisseur doit en être averti immédiatement. En ce qui concerne les produits situés aux États-Unis ou au Canada, le propriétaire du produit a la responsabilité de permettre au centre de réparation homologué d'accéder à l'unité en vue de la réparer sur site et/ou de la détacher du mur pour la réparer à la discrétion du centre de réparation homologué. En ce qui concerne les produits situés en dehors des États-Unis ou du Canada, le propriétaire est tenu de renvoyer tout composant à remplacer au centre de réparation homologué le plus proche ou au service de réparation en usine.

OBLIGATIONS DU FABRICANT - En ce qui concerne les produits situés aux États-Unis ou au Canada, l'obligation du Fabricant dans le cadre de cette Garantie limitée ne concerne que la main d'œuvre et les pièces nécessaires pour réparer ou remplacer toute pièce explicitement couverte par cette Garantie limitée à un de ses centres de réparation homologués ou à son service de réparation en usine. La garantie applicable à toute unité de remplacement doit être la période restante de la garantie de l'unité remplacée. Le Fabricant est également tenu de payer les frais de fret sortant (mais non un envoi en express) de la ou des pièces émanant d'un centre de réparation autorisé ou du service de réparation en usine, mais seulement si le Fabricant établit que la ou les pièces, ainsi que le(s) prétendu(s) défaut(s) couverts par cette Garantie limitée.

Lorsque le produit est situé en dehors des États-Unis ou du Canada, l'obligation du Fabricant dans le cadre de cette Garantie limitée est limitée à la fourniture d'une pièce de rechange pour toute pièce explicitement couverte par cette Garantie limitée qui, suite à un examen du Fabricant ou de son mandataire, est jugée défectueuse; cette obligation n'inclut pas la fourniture d'une main d'œuvre ni le paiement de frais de main d'œuvre encourus en relation avec le remplacement de la pièce de rechange. Le Fabricant est également tenu de payer les frais de fret sortant (et non le fret express) d'une ou des pièces émanant du service de réparation en usine jusqu'au port des États-Unis (mais pas au-delà) d'où la ou les pièces seront expédiées vers leur destination finale, mais seulement si le Fabricant établit que la ou les pièces ainsi que le(s) prétendu(s) défaut(s) est/sont couverts(s) par cette Garantie limitée.

ÉLÉMENTS NON COUVERTS PAR LA GARANTIE - Cette Garantie limitée n'inclut pas le paiement de frais de main d'œuvre sur place concernant l'entretien normal, y compris les réglages nécessaires tels que la hauteur du jet d'eau, la température de l'eau ou la sensibilité de la cellule photoélectrique. Le système d'alimentation et la vanne de réglage ne sont pas couverts par cette Garantie limitée si leur fonctionnement est entravé par la chaux, le sable ou résidu similaire. Cette Garantie limitée est annulée si des réparations sont effectuées par une personne non autorisée, ou si la plaque signalétique du numéro de série est enlevée ou rendue illisible. La détérioration normale de la finition due à l'usage et l'exposition n'est pas couverte par cette Garantie limitée. La corrosion des matériaux n'est pas couverte non plus par cette Garantie limitée. Le Fabricant n'est pas responsable des réparations esthétiques ou structurelles effectuées sur les murs où le refroidisseur, la remplisseuse de bouteilles, la fontaine et le refroidisseur d'eau monobloc sont installés au mur. Si la pression d'entrée est supérieure à 105 psi, un régulateur de pression doit être installé dans la conduite d'alimentation. Tout dommage causé par le raccordement de ce refroidisseur d'eau, cette remplisseuse de bouteilles, cette fontaine et ce refroidisseur d'eau monobloc à une conduite d'alimentation ayant une pression inférieure à 20 psi ou supérieure à 105 psi n'est pas couvert par cette garantie.

PERSONNES HABILITÉES À BÉNÉFICIER DE LA GARANTIE - Cette Garantie limitée est applicable uniquement (i) aux acheteurs qui achètent le produit pour la revente dans le cadre normal des activités commerciales et, (ii) au premier acheteur qui achète le produit dans un but autre que la revente.

DISPOSITIONS DE LA LICENCE DE LOGICIEL - Dans la mesure où le produit comporte un logiciel intégré, une licence restreinte et non exclusive est accordée au propriétaire et aux utilisateurs du produit pour l'utilisation de ce logiciel intégré. Les droits du logiciel intégré sont détenus en permanence par le donneur de licence du logiciel intégré. Le propriétaire et les utilisateurs du produit ne devront ni supprimer ni modifier les avis, légendes et marques de commerce contenus dans le logiciel intégré et ne devront pas traduire, rétroconcevoir, décompiler ni désassembler le logiciel intégré sauf dans la mesure où la loi en vigueur interdit spécifiquement une telle restriction. Le logiciel intégré est fourni « en l'état » et toute garantie offerte au présentes est offerte par o à travers le Fabricant. De plus amples renseignements concernant cette licence de logiciel intégré sont disponibles auprès du Fabricant.

CETTE GARANTIE LIMITEE REMPLACE TOUTES LES AUTRES GARANTIES EXPRESSES, IMPLIQUES OU IMPLICITES, EN VERTU DE LOI OU AUTREMENT, Y COMPRIS MAIS SANS SE LIMITER AUX GARANTIES IMPLIQUES DE QUALITE MARCHANDE ET D'ADEQUATION A DES FINS PARTICULIERES. SAUF DISPOSITIONS EXPRESSES DE CE DOCUMENT, LE FABRICANT N'ACCORDE AUCUNE GARANTIE EXPRESSE, EXPLICITE OU IMPLICITE, EN VERTU DE LOI OU AUTREMENT, Y COMPRIS MAIS SANS SE LIMITER AUX GARANTIES IMPLIQUES DE QUALITE MARCHANDE ET D'ADEQUATION A DES FINS PARTICULIERES. CETTE GARANTIE NE PEUT ETRE MODIFIEE, CHANGEE OU PROROGEE, SAUF PAR UN INSTRUMENT ECRIT SIGNE PAR LE FABRICANT. LE RECOURS A LA REPARATION OU, SI BESOIN, AU REMPLACEMENT TEL QUE PREVU AUX TERMES DE CETTE GARANTIE LIMITEE EST EXCLUSIF. EN AUCUN CAS, LE FABRICANT NE PEUT ETRE TENU RESPONSABLE DES DOMMAGES CONSÉCUTIFS OU FORTUITS À TOUTE PERSONNE, QU'ILS SOIENT OU NON CAUSÉS PAR UNE NÉGLIGENCE DU FABRICANT, Y COMPRIS MAIS SANS SE LIMITER AUX DOMMAGES-INTÉRÊTS POUR PERTE DE JOUISSANCE, AUX COÛTS OU À LA SUBSTITUTION, AUX DOMMAGES MATÉRIELS OU AUTRES PERTES PÉCUNIAIRES.

Cette garantie limitée vous donne des droits juridiques spécifiques et, dans certains États des États-Unis vous pouvez bénéficier d'autres droits qui varient selon les juridictions.

Elkay Sales, Inc  
2222 CAMDEN COURT  
OAK BROOK, ILLINOIS 60523  
630.574.8484

DATE D'INSTALLATION \_\_\_\_\_

NUMÉRO DE SÉRIE \_\_\_\_\_

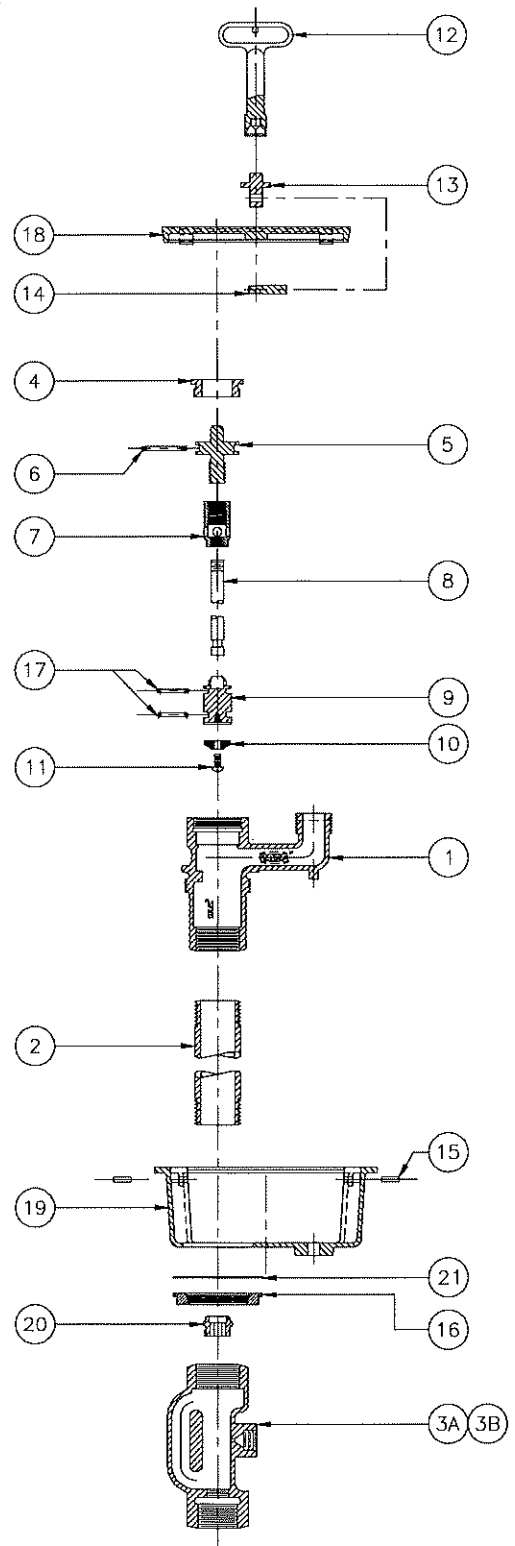
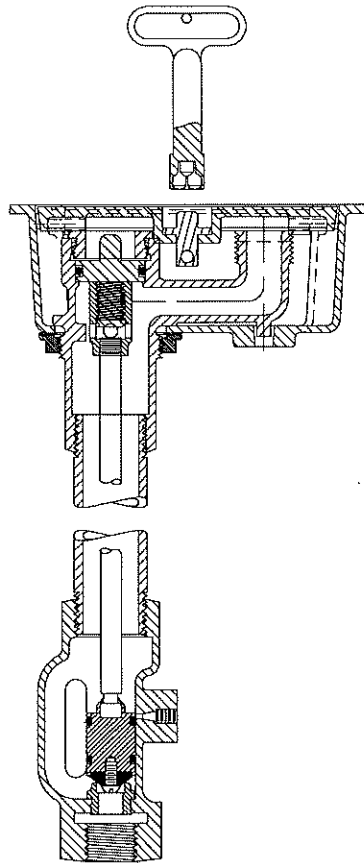
(À remplir par l'installateur)

Formulaire à laisser au propriétaire par l'installateur.

GROUND HYDRANT  
Z1360XL



# Z1360XL GROUND HYDRANT ASSEMBLY

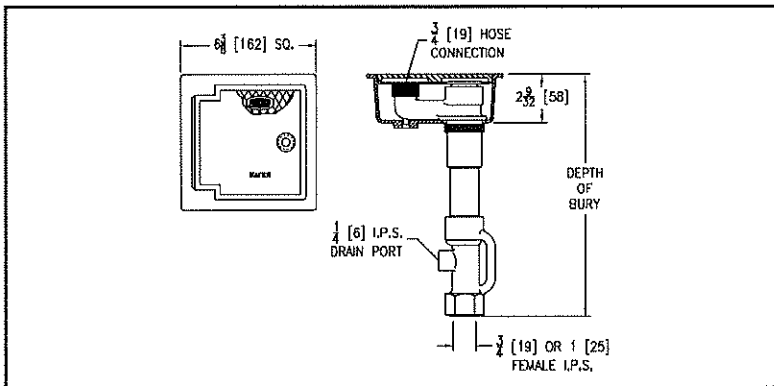
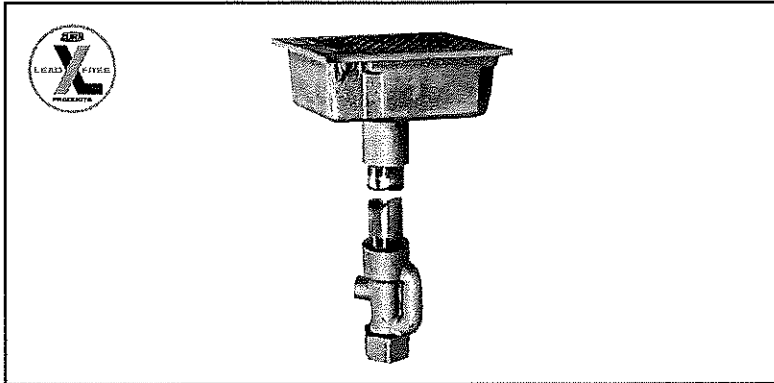


### LIST OF MATERIAL

IT.	QTY	PART NO.	DESCRIPTION
1	1	25302-XL1	HEAD (3/4" HOSE CONN.)
2	1	50270-XXX	CASING
3A	1	25324-XL3	VALVE HOUSING - 3/4" FEMALE NPT INLET
3B	1	25324-XL4	VALVE HOUSING - 1" FEMALE NPT INLET
4	1	22156-002	FACE NUT
*	5	25049-XL1	OPERATING SCREW
*	6	23750-028	O-RING
*	7	25147-XL1	OPERATING COUPLING
8	1	25328-XLX	OPERATING ROD
9	1	25323-XL1	WASHER GUIDE
*	10	23075-001	WASHER
*	11	14853-042	SCREW #10-24 N.C.
*	12	59546-001	KEY
13	1	25306-001	LOCKING PIN MOUNTING
14	1	25307-001	LOCKING PIN
15	2	45553-011	HINGE PIN
16	1	25242-001	LOCKNUT
*	17	23750-036	O-RING
18	1	57423-001	HYDRANT COVER
19	1	25301-001	HYDRANT BODY
*	20	25262-XL1	REMOVABLE SEAT
21	1	21425-060	GASKET

\* ITEMS ARE AVAILABLE IN -RK REPAIR KIT OPTION BAG #66955-345-9.

## Z1360XL GROUND HYDRANT – Encased, Flush Type, Non-Freeze



**ENGINEERING SPECIFICATION:** ZURN Z1360XL Encased, lead-free, non-freeze ground hydrant for flush with grade or finished (non-traffic) floor installation. Hydrant features galvanized steel casing, bronze and stainless steel interior components, bronze seat and replaceable seat washer, non-turning operating rod and, freefloating compression closure valve with 3/4" [19] or 1" [25] inlet connection with 1/4" [6] tapped drainage port on housing, and 3/4" [19] or 1" [25] male hose connection. Hydrant furnished with plain bronze box and locking hinged, scoriated cover stamped "WATER" and includes operating key.

Zurn "XL" Lead-Free compliant products are a line of durable plumbing products designed and manufactured to comply with state laws and local codes that mandate maximum allowable lead content levels. Zurn "XL" products are manufactured in accordance to the Federal SWDA section 1417.

Depth of Bury Feet [mm]	2' [610]	3' [914]	4' [1219]	5' [1524]	6' [1829]	7' [2134]	8' [2438]	9' [2743]	10' [3048]
Approx. Weight Lbs. [Kg]	17 [8]	21 [10]	25 [11]	33 [15]	39 [18]	43 [20]	47 [21]	52 [24]	56 [25]

### Z1360XL Wall Hydrant

The Z1360XL is an encased, non-freeze ground hydrant designed to be installed flush with grade or finished floor. This hydrant is ideal for golf courses, parks and recreational areas, lawn and garden care and other landscape needs.

#### Hydrant Features

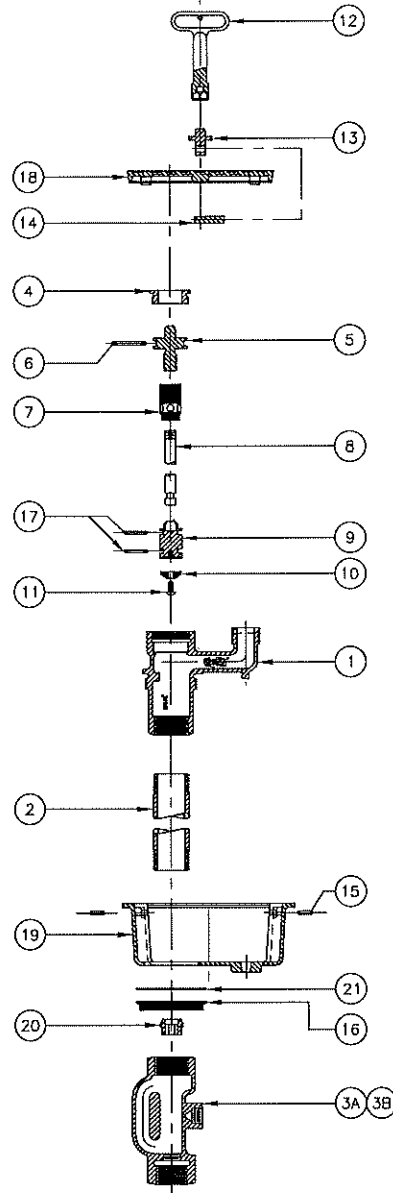
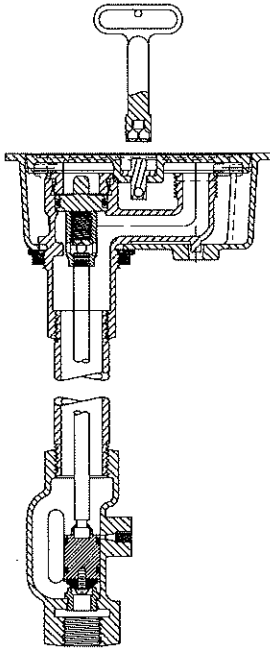
- **Certification** – City of L.A. listed.
- **Valve Seat** – Removable bronze valve seat with circular seating surface.
- **Valve** – One-piece assembly, replaceable, free-floating compression closure valve plunger with double O-ring seal operates the water flow and drainage with a maximum of two and one-quarter (2-1/4) turns.
- **Casing** – Threaded brass pipe nipple.
- **Operating Screw** – Brass operating screw secured with brass face nut.
- **Operating Rod** – 3/8" [10 mm] solid brass.
- **Box and Cover** – Plain bronze box and hinged, scoriated cover with "water" stamping.
- **Drainage** – Tapped, siphon-resistant drain port located in valve housing prevents sub-surface water contamination from entering the hydrant. **Important: Hydrant must be opened one complete turn to seal drain port during use.**
- **Depth of Bury** – Available from two (2) feet [610 mm] to ten (10) feet [3048 mm] in one (1)-foot [30 m] increments.
- **Operating Pressures** – Minimum running pressure 8 psi. Maximum static pressure 125 psi.
- **Water Temperature Range** – Minimum 33°F. Maximum 130°F.

#### OPTIONS

#### SUFFIXES

- CI D.C.C.I. Box and Cover
- DP12 1/2" [13 mm] IP Drain Port in Box
- DP14 1/4" [6 mm] IP Drain Port in Box
- DP38 3/8" [10 mm] IP Drain Port in Box
- HD Heavy-Duty Cover (-CI and -NB only)
- K Flashing Flange Only
- KC Flashing Flange with Clamp Collar
- NB Polished Nickel Bronze Face
- PB Polished Bronze Face
- RK Hydrant Parts Repair Kit
- VB 3/4" [19 mm] Adapter Vacuum Breaker  
(Needs deeper box to accommodate vacuum breaker.)

**Z1360XL GROUND HYDRANT Parts Assembly, Parts List, and Operating Rod Assemblies**



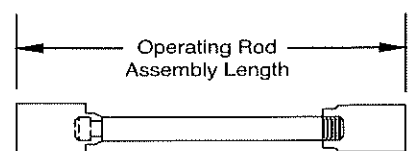
**Z1360XL Parts List**

Item	Description	Qty.	Part No.
1	Head (3/4" Hose Conn.)	1	25302-XL1
2	Casing	1	50270-XXX
3A	Valve Housing - 3/4" Female NPT Inlet	1	25324-XL3
3B	Valve Housing - 1" Female NPT Inlet	1	25324-XL4
4	Face Nut	1	22156-002
*5	Operating Screw	1	25049-XL1
*6	O-Ring	1	23750-028
*7	Operating Coupling	1	25147-XL1
8	Operating Rod	1	25328-XLX
9	Washer Guide	1	25323-XL1
*10	Washer	1	23075-001
*11	Screw #10-24 N.C.	1	14853-042
*12	Key	1	59546-001
13	Locking Pin Mounting	1	25306-001
14	Locking Pin	1	25307-001
15	Hinge Pin	2	45553-011
16	Locknut	1	25242-001
17	O-Ring	2	23750-036
18	Hydrant Cover	1	57423-001
19	Hydrant Body	1	25301-001
*20	Removable Seat	1	25262-XL1
21	Gasket	1	21425-060

\*Items are available in -RK Repair Kit Option Bag (#66955-345-9).

**Operating Rod Assemblies**

2' Bury	20-9/16"
3' Bury	32-9/16"
4' Bury	44-9/16"
5' Bury	56-9/16"
6' Bury	68-9/16"
7' Bury	80-9/16"
8' Bury	92-9/16"
9' Bury	104-9/16"
10' Bury	116-9/16"



## Z1360XL GROUND HYDRANT Troubleshooting Guide

### Z1360XL Troubleshooting Guide

PROBLEM	CAUSE	SOLUTION
Hydrant will not operate when turned on.	Water supply is shut off.	Turn on water supply.
Cannot turn the hydrant on with key.	Hydrant hasn't been used for a long time – O-Ring has adhered to the operating screw and head.	Follow steps 1-2, 4, and 7-8 of the Service Guide.
Water does not shut off completely when hydrant is turned off.	Debris between seat and washer.	Follow steps 1-3 and 6-8 of the Service Guide. Clean by turning water supply on and flush hydrant.
	Washer is worn out.	Follow steps 1-3 and 5-8 of the Service Guide.
	Wire draw in seat.	Replace seat.
Water is flowing out of the hydrant drainage port when the hydrant is turned on.	Washer guide O-Rings are broken or missing.	Follow steps 1-3 and 5-8 of the Service Guide.
Hydrant exhibits low flow.	Water supply to hydrant is restricted.	Check water supply to ensure that all upstream valves are fully open.

and 3/4" [19] male hose connection. Hydrant furnished with type 304 stainless steel faceplate and

⚠ **WARNING:** Cancer and Reproductive Harm - [www.P65Warnings.ca.gov](http://www.P65Warnings.ca.gov)  
 ⚠ **ADVERTENCIA:** Cáncer y daño reproductivo - [www.P65Warnings.ca.gov](http://www.P65Warnings.ca.gov)  
 ⚠ **AVERTISSEMENT:** Cancer et effets néfastes sur la reproduction - [www.P65Warnings.ca.gov](http://www.P65Warnings.ca.gov)



## Z1360XL GROUND HYDRANT Service Guide

### Step 1: Shutting Off the Water Supply to the Hydrant

Locate the supply shut-off valve and rotate until water supply is off.

### Step 2: Removing the Face Nut and Adjacent Components

Using crescent wrench or 1-1/2 inch open-end wrench, remove the face nut (4) from head (1) by turning counterclockwise.

### Step 3: Removing the Internal Operating Assembly

The internal operating assembly (5-11 and 17) can be removed by gripping the square end of the operating screw (5) with a pair of pliers and pulling straight out.

If the operating screw O-Ring was not the reason for service – skip to step 5.

### Step 4: Replacing the Operating Screw O-Ring

Remove the operating screw (5) from operating coupling (7) by turning clockwise and slip the old O-Ring (6) off, and replace with new O-Ring (6). Reinstall operating screw (5) into operating coupling (7) by turning counterclockwise. (Note: Lubricate the operating screw (5) threads and the O-Ring (6) with Lubriplate FGL-2 if needed.)

If the hydrant shutoff washer and washer guide O-Rings were not the reason for service – skip to step 8.

### Step 5: Replacing the Hydrant Shutoff Washer and Washer Guide O-Rings

Remove #10-24 NC x 3/8 screw (11) using a flat screwdriver and turning screw (11) counterclockwise, remove washer (10) and replace with new washer (10) and new screw (11) turning screw clockwise until tight. Remove old O-Rings (17) and replace with new O-Rings (17). (Note: Lubricate the O-Rings (17) with Lubriplate FGL-2 if needed.)

### Step 6: Replacing the Internal Operating Assembly

There is a flat or a V-notched boss inside of the hydrant head (1) that keeps the operating coupling (7) from rotating when hydrant is turned on and off. With operating screw (5) turned counterclockwise into operating coupling (7) until it stops, and making sure that a flat side or corner of operating coupling (7) lines up with appropriate boss, reinsert the internal operating assembly into the hydrant.

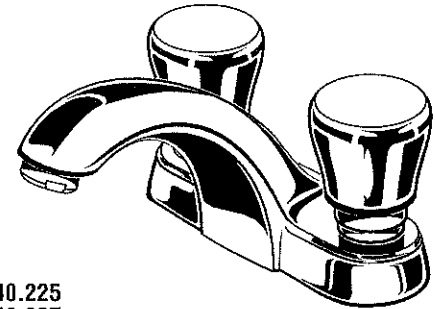
### Step 7: Replacing the Face Nut

Insert face nut (4) into head (1), and rotate clockwise until hand tight, then using a crescent wrench or 1-1/2 inch open end wrench, snug nut (4) tight.

### Step 8: Turning On the Water Supply

Locate the water supply shut-off valve and rotate until water supply is on.

LAV FAUCET  
1340.227 METERING FAUCET



1340.225  
1340.227

Certified to comply with ANSI A112.18.1

**METERING**  
Centerset Faucets

Thank you for selecting American-Standard...the benchmark of fine quality for over 140 years.

To ensure that your installation proceeds smoothly--please read these instructions carefully before you begin.

M968493 REV.1.6 (8/19)

Recommended Tools



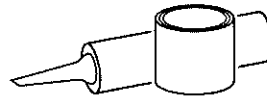
Tubing Cutter



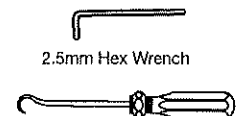
Channel Locks



Adjustable Wrench



Plumbers' Putty or Caulking



2.5mm Hex Wrench

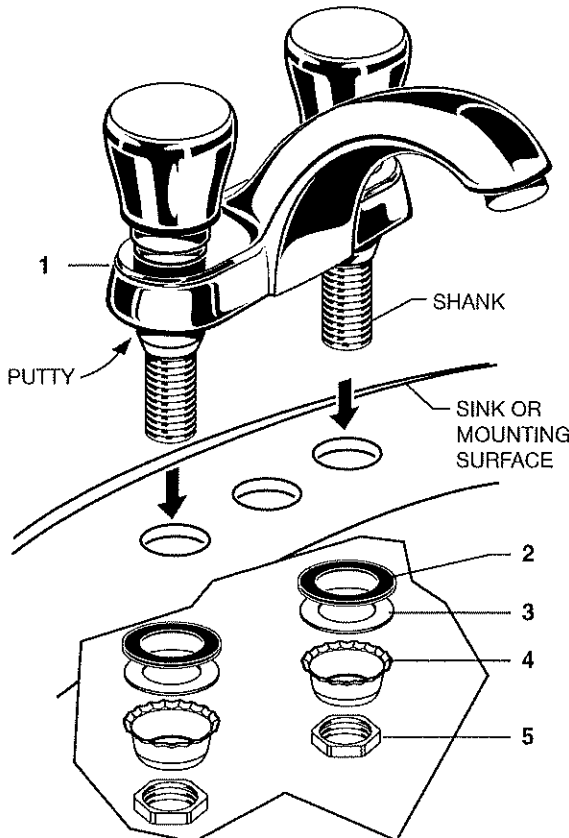
Hook

**1** INSTALL FAUCET

**CAUTION**

Turn off hot and cold water supplies before beginning.

- Apply a bead of PUTTY along the edge of the underside of the FAUCET (1).
- Insert faucet SHANKS through holes of SINK or MOUNTING SURFACE.
- Install GASKET (2), FRICTION WASHER (3), DEEP WASHER (4) and LOCK NUT (5), onto SHANKS (6).
- Tighten LOCK NUTS (5) firmly to secure FAUCET (1).



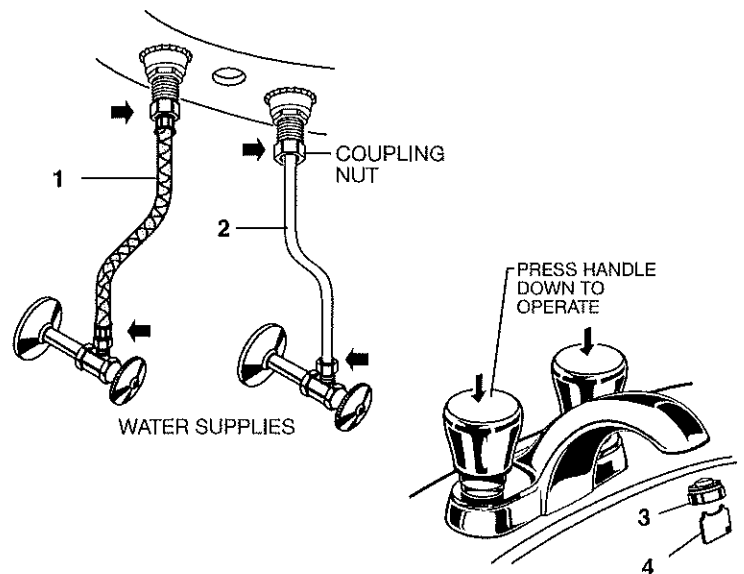
**2** MAKE WATER SUPPLY CONNECTIONS AND TEST INSTALLED FITTING

**NOTE: FLEXIBLE SUPPLIES OR BULL-NOSE RISERS MUST BE PURCHASED SEPARATELY.**

- Connect water supply to FAUCET with 1/2" IPS FLEXIBLE SUPPLIES (1) or 3/8" O.D. BULL-NOSE RISERS (2).
- Use adjustable wrench to tighten connections. Do not over tighten. Be careful not to kink copper supply when bending. Use tubing cutter to cut to proper length.

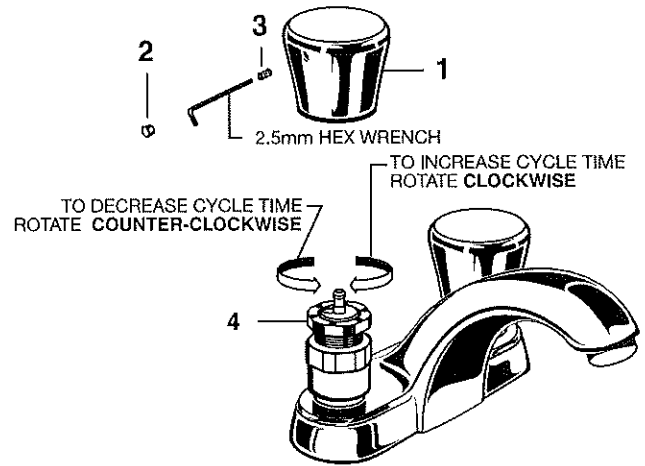
**TEST INSTALLED FITTING**

- Turn on water supplies and check connections for leaks. ➡
- Remove AERATOR (3) with KEY (4) supplied.
- Operate HOT and COLD HANDLES by pressing down on HANDLES. Both Hot and Cold handles are set for approximately 8 second operating cycles.
- Replace AERATOR (3).



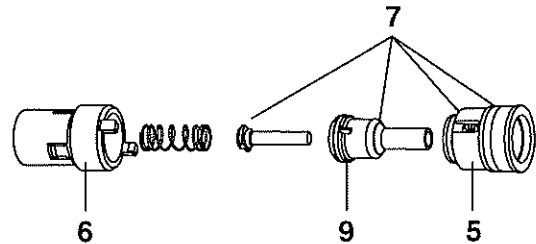
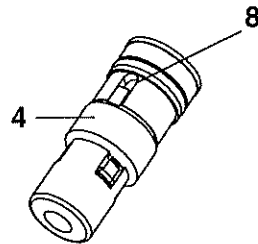
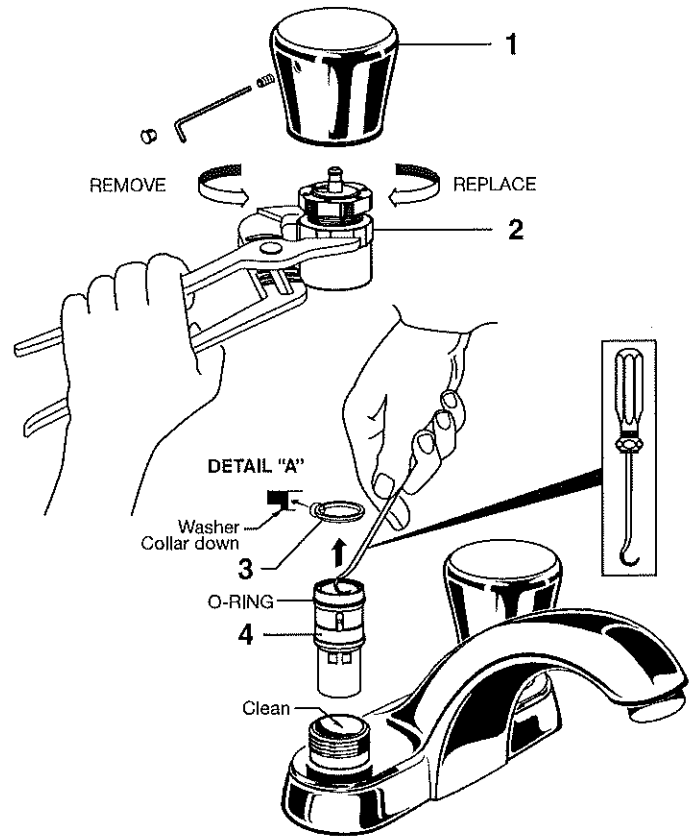
### 3 TO ADJUST CYCLE TIME

- Remove HANDLE (1) by removing INDEX BUTTON (2) and SET SCREW (3) with a 2.5mm hex wrench.
- Pull off HANDLE (1).
- To increase cycle time, turn the white PLASTIC ADJUSTING NUT (4) clockwise.
- To decrease cycle time, turn the white PLASTIC ADJUSTING NUT (4) counter-clockwise.
- Replace HANDLE (1), SET SCREW (3) and INDEX BUTTON (2). Test faucet for proper operation and cycle time.



### 4 SERVICE

- Remove HANDLE (1). Refer to Step 3 for handle removal.
- Remove ACTUATOR ASSEMBLY (2).
- Remove WASHER (3). Use small Hook to pull out VALVE ASSEMBLY (4).  
**NOTE:** The tip of the hook must catch on SURFACE (8) to remove VALVE ASSEMBLY (4). Moderate force is required. If the hook is too deep it will not remove VALVE ASSEMBLY (4).
- Open VALVE ASSEMBLY (4) by pulling VALVE BODY TOP (5) off of VALVE BODY BOTTOM (6).  
**NOTE:** There are three internal pieces including a spring. Take caution not lose these components while opening the valve body.
- Ensure that O-RINGS (7) are free of any debris. Remove O-RING (9), clean thoroughly, and ensure the groove beneath is free of debris. Reinstall O-RINGS (9).
- Reassemble VALVE ASSEMBLY (4) by pressing VALVE BODY TOP (5) on to VALVE BODY BOTTOM (6) until they lock with an audible snap.
- Push VALVE ASSEMBLY (4) into faucet body. Place WASHER (3) with collar facing down on top of VALVE ASSEMBLY (4). See detail "A". Thread VALVE ACTUATOR (2) onto faucet. Torque VALVE ACTUATOR (2) to 12-15 ft. lbs (15-20 Nm).
- Replace HANDLE (1).



#### CARE INSTRUCTIONS:

DO: SIMPLY RINSE THE PRODUCT CLEAN WITH CLEAR WATER. DRY WITH A SOFT COTTON FLANNEL CLOTH.

DO NOT: CLEAN THE PRODUCT WITH SOAPS, ACID, POLISH, ABRASIVES, HARSH CLEANERS, OR A CLOTH WITH A COARSE SURFACE.

*American Standard*

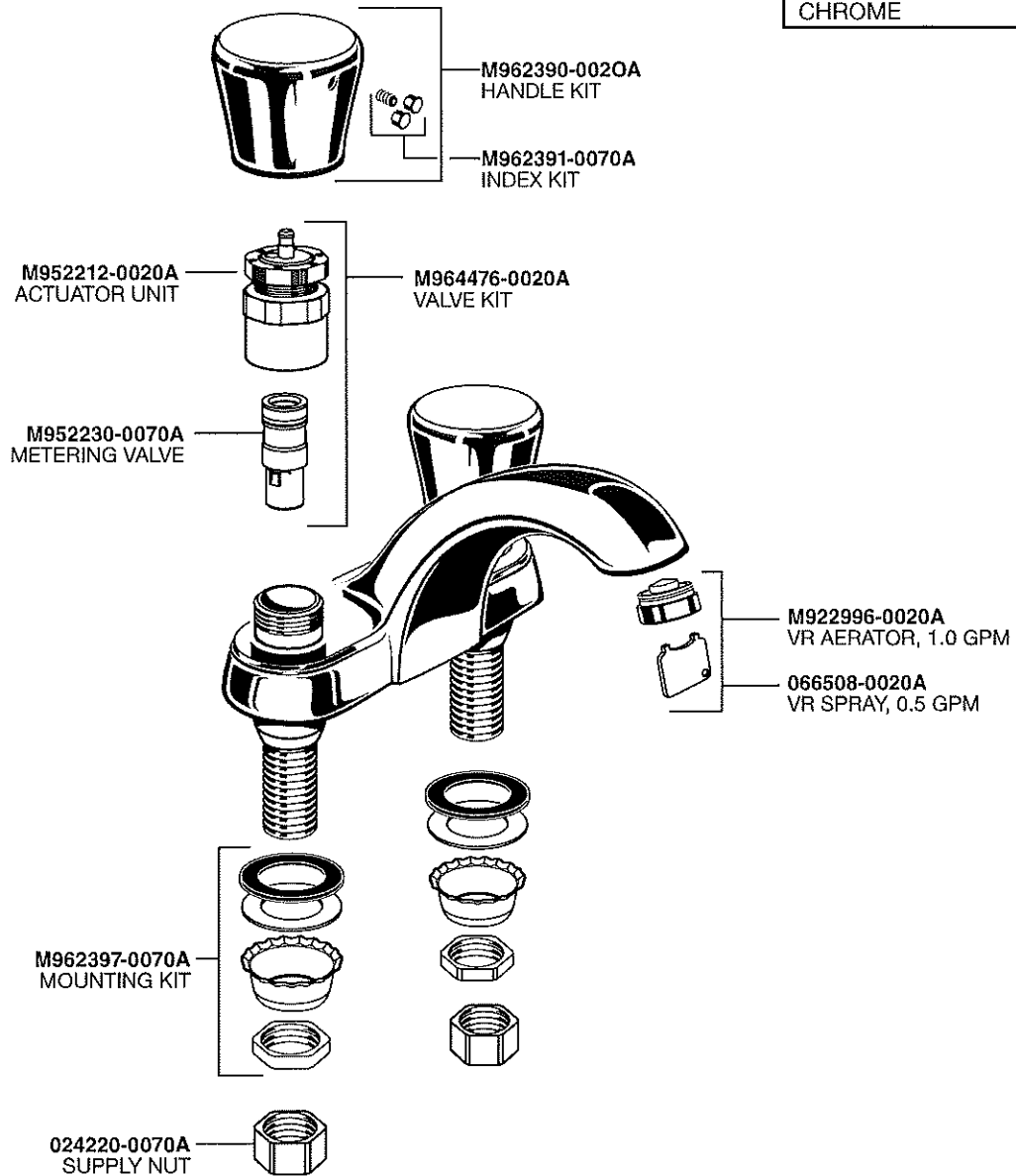
# METERING Centerset Faucets

PRODUCT NUMBERS

**1340.225**  
**1340.227**

Appropriate finish code

CHROME 002



### HOT LINE FOR HELP

For toll-free information and answers to your questions, call:  
1 (800) 442-1902

Mon. - Fri. 8:00 a.m. to 8:00 p.m. EST  
Saturday 10:00 a.m. to 4:00 p.m. EST

IN CANADA 1-800-387-0369  
(TORONTO 1-905-306-1093)

Weekdays 8:00 a.m. to 7:00 p.m. EST

IN MEXICO 01-800-839-1200



Product names listed herein are  
trademarks of AS America, Inc.  
© AS America, Inc. 2019

PART OF **LIXIL**

M968493 REV.1.6 (8/19)

MS FAUCET  
B-0665BSTR



# T&S BRASS AND BRONZE WORKS, INC.

2 Saddleback Cove / P.O. Box 1088  
Travelers Rest, SC 29690

Model No.

**B-0665-BSTR**

Item No.

Travelers Rest, SC: 800-476-4103 • Simi Valley, CA: 800-423-0150 • Fax: 864-834-3518 • www.tsbrass.com



**ADA Compliant**

This Space for Architect/Engineer Approval

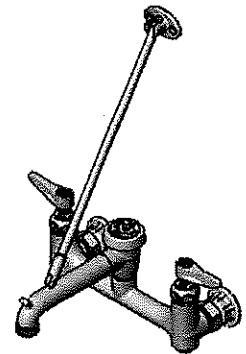
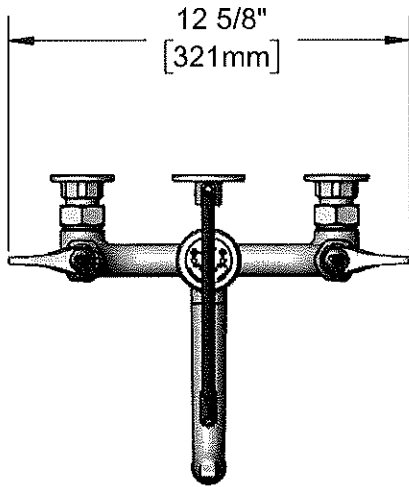
Job Name \_\_\_\_\_ Date \_\_\_\_\_

Model Specified \_\_\_\_\_ Quantity \_\_\_\_\_

Customer/Wholesaler \_\_\_\_\_

Contractor \_\_\_\_\_

Architect/Engineer \_\_\_\_\_



Support Rod w/  
Wall Bracket &  
Mounting Screws

Mounting  
Surface

Items Not Shown  
For Clarity

B-0969  
1/2" NPT Vacuum  
Breaker

Quarter-Turn  
Eterna Cartridges w/  
Spring Checks &  
Lever Handles w/  
Color Coded Indexes

Garden Hose  
Male Outlet

Ø 2" [51mm]  
Flanges w/  
1/2" NPT  
Female Inlets

Built-In Service  
Stops

3 15/16"  
[100mm]

8"  
[203mm]

Adjustable From  
7 3/4" to 8 1/4"  
[197mm to 210mm]

14 5/16"  
[364mm]

2 11/16"  
[68mm]

9 1/8"  
[232mm]

**Product Specifications:**

8" Wall Mount Service Sink, Quarter-Turn Eterna Cartridges w/ Spring Checks, Lever Handles, Upper Support Rod, Garden Hose Male Outlet, Built-In Service Stops, Rough Chrome Finish, 1/2" NPT Vacuum Breaker & 1/2" NPT Female Inlets

**Product Compliance:**

ASME A112.18.1 / CSA B125.1  
NSF 61 - Section 9  
NSF 372 (Low Lead Content)  
ANSI A117.1 (ADA)  
ASSE 1001 (VB)



# T&S BRASS AND BRONZE WORKS, INC.

2 Saddleback Cove / P.O. Box 1088  
Travelers Rest, SC 29690

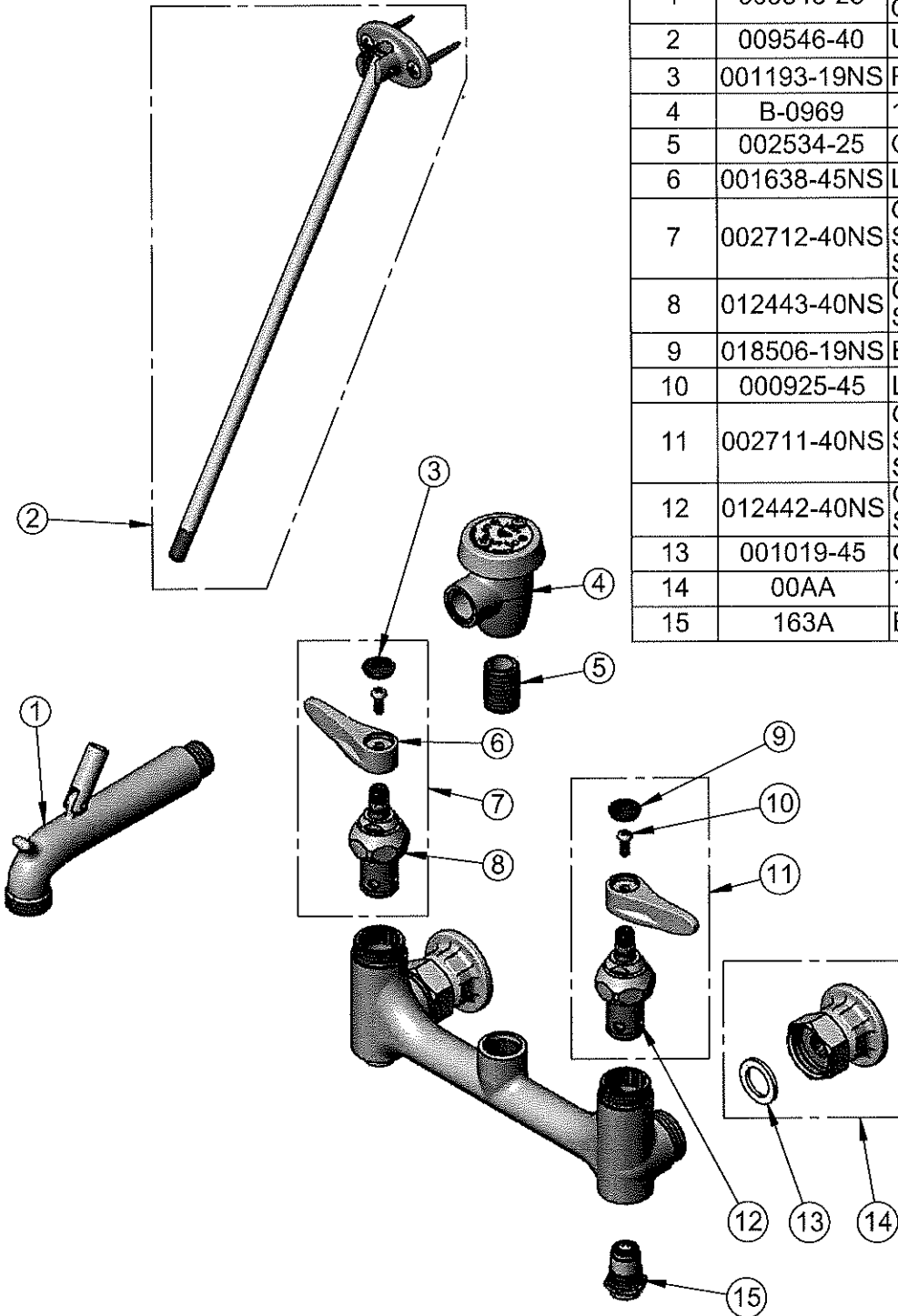
Model No.

**B-0665-BSTR**

Item No.

Travelers Rest, SC: 800-476-4103 • Simi Valley, CA: 800-423-0150 • Fax: 864-834-3518 • www.tsbrass.com

ITEM NO.	SALES NO.	DESCRIPTION
1	009545-25	Spout w/ Male GH Outlet & Upper Clevis - Rough Chrome
2	009546-40	Upper Support Rod
3	001193-19NS	Red Button Index, Press-in
4	B-0969	1/2" NPT Vacuum Breaker
5	002534-25	Close Nipple, 1/2" NPT
6	001638-45NS	Lever Handle (New Style)
7	002712-40NS	Quarter-Turn Eterna Cartridge w/ Spring Check, Handle, Red Index & Screw, RTC
8	012443-40NS	Quarter-Turn Eterna Cartridge w/ Spring Check, RTC
9	018506-19NS	Blue Button Index, Press-in
10	000925-45	Lab Handle Screw </td
11	002711-40NS	Quarter-Turn Eterna Cartridge w/ Spring Check, Handle, Blue Index & Screw, LTC
12	012442-40NS	Quarter-Turn Eterna Cartridge w/ Spring Check, LTC
13	001019-45	Coupling Nut Washer
14	00AA	1/2" NPT Female Eccentric Flange
15	163A	Built-in Service Stop



**Product Specifications:**

8" Wall Mount Service Sink, Quarter-Turn Eterna Cartridges w/ Spring Checks, Lever Handles, Upper Support Rod, Garden Hose Male Outlet, Built-In Service Stops, Rough Chrome Finish, 1/2" NPT Vacuum Breaker & 1/2" NPT Female Inlets

**Product Compliance:**

ASME A112.18.1 / CSA B125.1  
NSF 61 - Section 9  
NSF 372 (Low Lead Content)  
ANSI A117.1 (ADA)  
ASSE 1001 (VB)



# Limited Warranty

READ THIS LIMITED WARRANTY BEFORE INSTALLING OR USING THIS PRODUCT. IF THESE TERMS ARE NOT ACCEPTABLE TO YOU, IMMEDIATELY RETURN THIS PRODUCT TO T&S BRASS AND BRONZE WORKS, INC. BEFORE INSTALLING AND/OR USING THIS PRODUCT.

T&S Brass and Bronze Works, Inc. (T&S) warrants to the original purchaser of this product that such product is free from defects in workmanship and materials for the period specified in the chart below beside the product description from the original date of purchase.

Product Description	Warranty Period
T&S EasyInstall pre-rinse units	3 years
T&S DuraPull pre-rinse units	7 years
T&S ChekPoint and WaveCrest sensor faucets & accessories	3 years
T&S Hose reels (except B-7161-C hose reel & B-7245 creamery hose reel)	2 years
T&S Hose reel blue hose	1 year
T&S Modular waste drain valve	Lifetime
T&S Cerama ceramic cartridges	Lifetime
T&S Single lever faucet ceramic cartridges	2 years
T&S Flexible stainless steel hose (B-0044-H, etc.)	3 years
T&S Reinforced PVC flex hoses without stainless steel covering (All B-0044-R, etc. models)	2 years
T&S Safe-T-Link gas & water hose connectors	5 years
T&S EverSteel pre-rinse units & faucets	Lifetime
Equip hose reel hose	1 year
All other products (including all equip products)	1 year

During the applicable warranty period, if this product is found to be defective, T&S shall, at its option, repair and/or replace it. To obtain warranty service, products must be returned to T&S Brass and Bronze Works, Inc., 2 Saddleback Cove, Travelers Rest, South Carolina, 29690, clearly marked to the attention of the Warranty Repair Department. Shipping, freight, insurance, and other transportation charges of the returned product to T&S and the return of the repaired or replaced product to the purchaser are the responsibility of the purchaser. Replacement and/or repair under this warranty shall be made within a reasonable time after receipt by T&S of the returned product and T&S' verification of the defect. T&S is not responsible for removal, installation, labor charges, or other incidental or consequential costs.

This warranty does not cover this product (i) if it has received secondary finishing or has been altered or modified after purchase, (ii) for defects caused by physical abuse to or misuse of the product or use with corrosive materials, (iii) for damage or harm occurring in the shipment of the product, (iv) for damage or harm occurring due to environmental conditions, including but not limited to water quality and impurities, or (v) for damages arising from wear to or the failure of replaceable components, including those made out of rubber or plastic. This warranty is provided to the original purchaser only and may not be assigned or transferred by the original purchaser of the product, other than when purchased for resale, in which case the reselling original purchaser may assign the warranty to the purchaser from the reseller who shall be deemed the original purchaser under this limited warranty, but the warranty may not be assigned thereafter.

ANY EXPRESS WARRANTY NOT PROVIDED HEREIN AND ANY REMEDY FOR BREACH OF CONTRACT WHICH BUT FOR THIS PROVISION MIGHT ARISE BY IMPLICATION OR OPERATION OF LAW, IS HEREBY EXCLUDED AND DISCLAIMED.

ANY IMPLIED WARRANTIES OF MERCHANTABILITY OR FITNESS FOR A PARTICULAR PURPOSE ARE LIMITED IN DURATION TO THE WARRANTY PERIOD PROVIDED ON THE PRODUCT.

UNDER NO CIRCUMSTANCES SHALL T&S BE LIABLE TO PURCHASER OR ANY OTHER PERSON FOR ANY LOSS OF USE OF THE PRODUCT OR ANY SPECIAL OR CONSEQUENTIAL COSTS, EXPENSES OR DAMAGES WHETHER ARISING OUT OF BREACH OF WARRANTY, BREACH OF CONTRACT OR OTHERWISE INCURRED BY THE PURCHASER OR ANY OTHER USER.

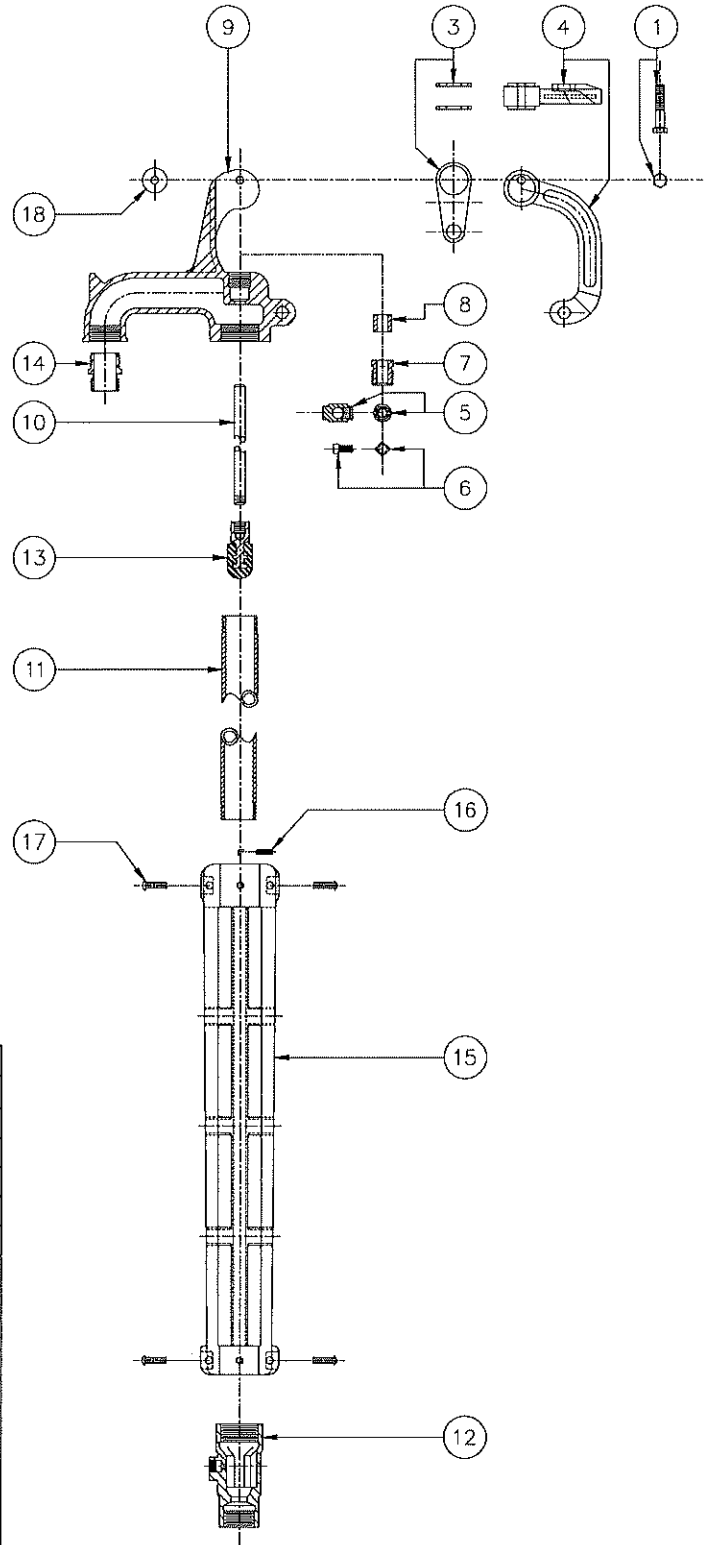
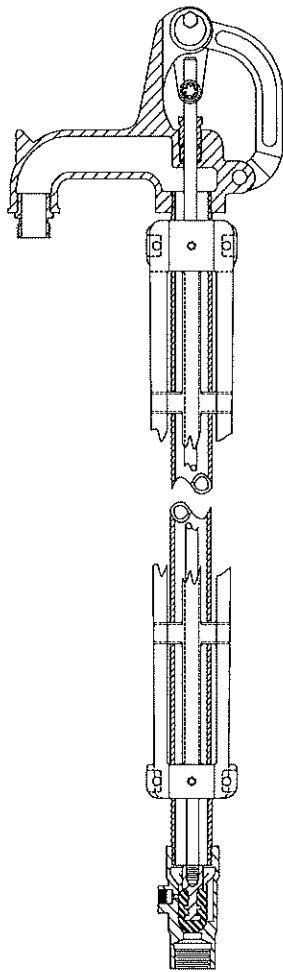
SOME STATES DO NOT ALLOW LIMITATIONS ON HOW LONG AN IMPLIED WARRANTY LASTS OR THE EXCLUSION OR LIMITATION OF INCIDENTAL OR CONSEQUENTIAL DAMAGES SO THE ABOVE LIMITATIONS OR EXCLUSIONS MAY NOT APPLY TO YOU.

THIS WARRANTY GIVES YOU SPECIFIC RIGHTS AND YOU MAY ALSO HAVE OTHER RIGHTS WHICH VARY FROM STATE TO STATE.

NFYH YARD HYDRANT  
ZURN Z1395XL



# Z1395XL POST HYDRANT ASSEMBLY

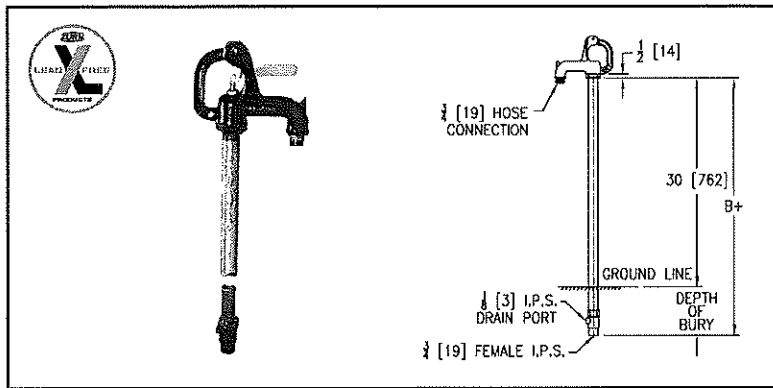


### LIST OF MATERIAL

IT.	QTY	PART NO.	DESCRIPTION
*	1	26050-009	HANDLE CAP SCREW
	2	56215-001	LINKAGE
	1	56214-001	HANDLE
*	1	56216-001	PIVOT LINK
*	1	14857-018	SET SCREW 3/8"-16 SQ. HD.
*	1	56202-001	PACKING NUT
*	1	56227-001	PACKING
	1	56213-001	HEAD
	1	56209-XLX	OPERATING ROD
	1	56217-XXX	GALVANIZED CASING
	1	56224-XL1	VALVE HOUSING
*	1	56252-XL1	PLUNGER ASSEMBLY
	1	56222-XL1	3/4" HOSE ADAPTER
	2	31789-002	CASING GUARD (OPT)
	2	18006-045	CASING GUARD SET SCREW (OPT)
	4	14853-046	SCREW #10-24 N.C. (OPT)
*	1	56467-001	PUSH NUT

\* ITEMS ARE AVAILABLE IN -RK REPAIR KIT OPTION BAG #66955-346-9.

## Z1395XL YARD HYDRANT – Exposed Head, Non-Freeze



**ENGINEERING SPECIFICATION:** ZZURN Z1395XL Exposed, lead-free, non-freeze yard hydrant. Hydrant features a Dura-Coated cast iron head and lift handle with lock option, galvanized steel casing, bronze and stainless steel interior components, 3/4" [19] inlet connection with 1/8" [3] tapped drainage port on housing, and 3/4" [19] male hose connection.

Zurn "XL" Lead-Free compliant products are a line of durable plumbing products designed and manufactured to comply with state laws and local codes that mandate maximum allowable lead content levels. Zurn "XL" products are manufactured in accordance to the Federal SWDA section 1417.

**Note:** 'B' Dimension based on outlet connection 30" [762 mm] above ground.

\*\*Non-freeze feature will not function when -VB suffix vacuum breaker is specified.

### Z1395XL Yard Hydrant

The Z1395XL is an exposed head, non-freeze yard hydrant designed for garden areas, parks, farms, stables, and irrigational applications where immediate water flow, even in sub-zero degree temperatures, is necessary.

#### Hydrant Features

- **Certification** – City of LA listed.
- **Valve Seat** – Permanent bronze valve seat with conical seating surface.
- **Internal Components** – One-piece, replaceable, free-floating compression closure valve with neoprene plunger operates the water flow and drainage. Valve assembly is sealed with graphite-impregnated fiber packing and secured with a brass packing nut for leak resistance.
- **Casing** – Galvanized steel pipe.
- **Casing Guard** – Cast aluminum guard provides damage protection to the casing (optional).
- **Operating Handle** – Dura-Coated cast iron operating handle controls the valve assembly with the ability to be locked in a closed, tamper-proof position.
- **Operating Rod** – 3/8" [10 mm] solid brass.
- **Drainage** – Tapped, siphon-resistant drain port located in valve housing prevents sub-surface water contamination from entering the hydrant.
- **Depth of Bury** – Available from two (2) feet [610 mm] to eight (8) feet [2438 mm] in one (1)-foot increments.
- **Operating Pressures** – Minimum running pressure 8 psi. Maximum static pressure 125 psi.
- **Water Temperature Range** – Minimum 33°F. Maximum 130°F.

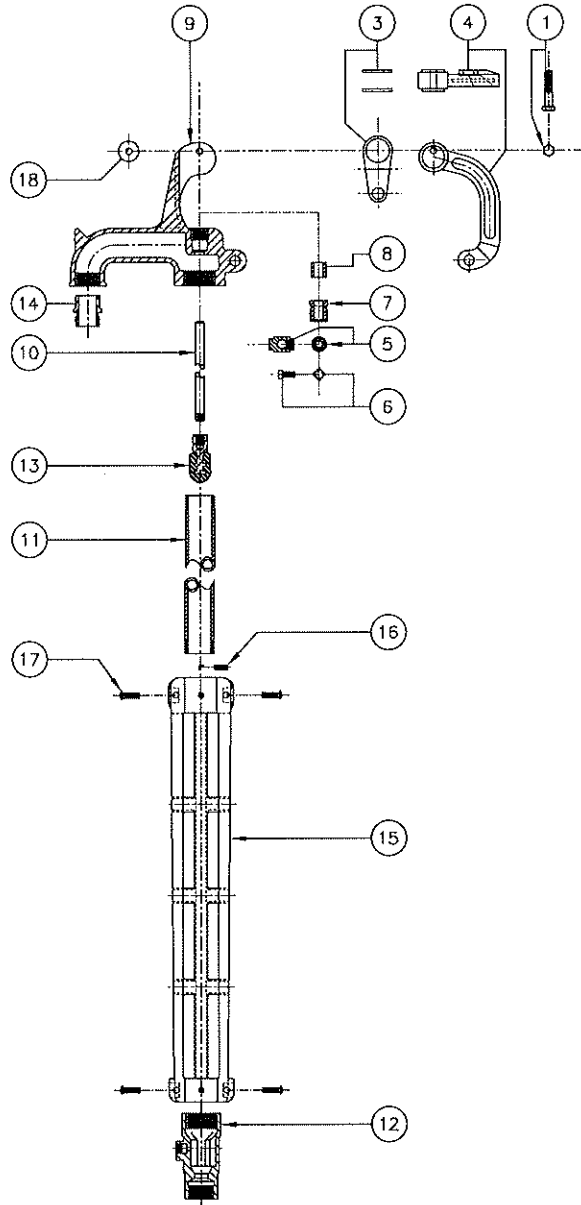
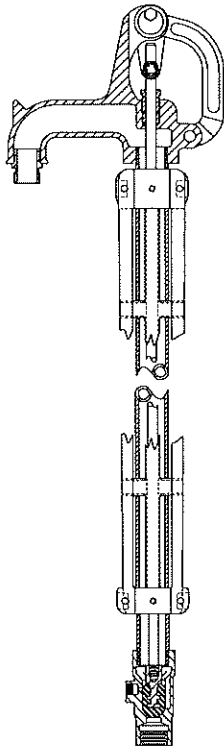
#### OPTIONS

#### SUFFIXES

- AC Aluminum Casing Guard
- RK Hydrant Parts Repair Kit
- VB 3/4" [19 mm] Adapter Vacuum Breaker\*\*

Depth of Bury Feet [mm]	B+ Dimension Feet [mm]	Approx. Wt. Lbs. [Kg]
2 [610]	4-1/2 [1372]	15 [7]
3 [914]	5-1/2 [1676]	19 [9]
4 [1219]	6-1/2 [1981]	23 [10]
5 [1524]	7-1/2 [2286]	27 [12]
6 [1829]	8-1/2 [2591]	31 [14]
8 [2438]	10-1/2 [3200]	39 [18]

## Z1395XL YARD HYDRANT Parts Assembly, Parts List, and Operating Rod Assemblies



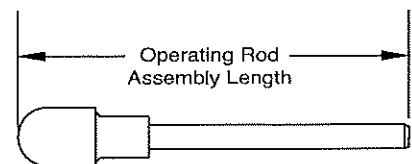
### Z1395XL Parts List

Item	Description	Qty.	Part No.
*1	Handle Cap Screw	1	26050-009
3	Linkage	2	56215-001
4	Handle	1	56214-001
*5	Pivot Link	1	56216-001
*6	Setscrew – 3/8"–16 Sq. Hd.	1	14857-018
*7	Packing Nut	1	56202-001
*8	Packing	1	56227-001
9	Head	1	56213-001
10	Operating Rod	1	56209-XLX
11	Galvanized Casing	1	56217-XXX
12	Valve Housing	1	56224-XL1
*13	Plunger Assembly	1	56252-XL1
14	3/4" Hose Adapter	1	56222-XL1
15	Casing Guard (Optional)	2	31769-002
16	Casing Guard Setscrew (Optional)	2	18006-045
17	Screw #10-24 NC (Optional)	4	14853-046
*18	Push Nut	1	56467-001

\*Items are available in -RK Repair Kit Option bag (#66955-346-9).

### Operating Rod Assemblies

2' Bury	57-1/2"
3' Bury	69-1/2"
4' Bury	81-1/2"
5' Bury	93-1/2"
6' Bury	105-1/2"
8' Bury	129-1/2"



## Z1395XL YARD HYDRANT Troubleshooting Guide

PROBLEM	CAUSE	SOLUTION
Hydrant will not operate when turned on.	Water supply is shut off.	Turn on water supply.
Water is leaking around the operating rod and packing nut.	Operating rod has worn the packing.	Tighten the packing nut slowly until the leak stops.
	The packing nut cannot be tightened any more.	Follow steps 1-10 of the Service Guide.
Water does not shut off completely when hydrant is turned off.	Debris between seat and washer.	Follow steps 1, 11, and 13 of the Service Guide. Clean by turning water supply on and flush hydrant.
	Washer is worn out.	Follow steps 1 and 11-13 of the Service Guide.
Hydrant exhibits low flow.	Water supply to hydrant is restricted.	Check water supply to ensure that all upstream valves are fully open.

## Z1395XL YARD HYDRANT Service Guide

### Step 1: Shutting Off The Water Supply To The Hydrant

Locate the supply shut off valve and rotate until water supply is shut off.

If the packing was not the reason for service – skip to step 11.

### Step 2: Removing the Handle and Adjacent Components

Lift the handle (4) just enough to relieve the tension and using a punch and hammer, punch the handle cap screw (1) through the push nut (18) and remove the handle cap screw (1) from the head (9). Rotate the handle downward and remove the loose linkage (3) piece and the handle (4).

### Step 3: Removing the Pivot Linkage and Pivot Link

Mark the operating rod (10) at the top of the pivot link (5) for locating the pivot link (5) when reinstalling. Using a 3/8" open end wrench or crescent wrench and turning the setscrew (6) counterclockwise, remove the setscrew (6) and the pivot linkage (3) piece from the pivot link (5). Lift the pivot link (5) off the operating rod (10).

### Step 4: Removing the Packing Nut

Using a 3/4" open end wrench or crescent wrench, turn the packing nut (7) counterclockwise until packing nut (7) is free from head (9). Lifting upward, remove from operating rod (10).

### Step 5: Removing the Head

Using a magic marker, mark a vertical line on the hex portion of the head (9) and casing (11) as a guide when reinstalling the head (9). Using a pipe wrench and a large crescent wrench and turning the head (9) counterclockwise, remove the head (9) from the galvanized casing (11). Lift upward to remove the head (9) from operating rod (10).

### Step 6: Replacing the Graphite Fiber Packing

Turn head (9) upside down and remove the packing (8). Use a flat punch and hammer and lightly tap packing (8) out of head (9). Turn the head (9) upright, and inserting new packing (8), lightly tap into place in head (9) without damaging the packing (8).

### Step 7: Replacing the Packing Nut

By hand, screw the packing nut (7) into the head (9) finger tight only.

### Step 8: Replacing the Head

Carefully slide the head (9) over the operating rod (10) up through the graphite fiber packing (8) and the packing nut (7). With pipe wrench and large crescent wrench, and turning clockwise, screw the head (9) tight until the lines on the casing (11) and the hex portion of the head (9) line up as before removing.

### Step 9: Replacing the Pivot Link and Adjacent Linkage

Slide the pivot link (5) on to the operating rod (10) to the locating mark on the operating rod (10). Place one linkage (3) piece on to the side of the pivot link where the setscrew (6) goes, and using a 3/8" open end wrench or crescent wrench, turn the setscrew (6) clockwise until tight.

### Step 10: Replacing the Handle and Adjacent Components

Place the handle (4) on the linkage (3) piece that is attached to the pivot link (5), then place the other linkage (3) piece on the handle (4) and on the pivot link (5), rotating upward into the head (9). Slide the handle cap screw (1) through the head (9) linkage (3) handle (4) linkage (3) head (9) and push on the push nut (18) until it touches the head (9).

### Step 11: Removing Head Assembly and Operating Rod/Plunger Assembly

With a magic marker, mark a vertical line on the hex portion of the head (9) and the galvanized casing (11) as a guide when reinstalling the head (9). Lift the handle (4) all the way upward, and using a pipe wrench and large crescent wrench, turn the head (9) counterclockwise, unscrew the head (9) from the galvanized casing (11), and lift head (9) upward removing the operating rod (10) and plunger assembly (13) from galvanized casing (11).

### Step 12: Replacing the Plunger Assembly

Turn the plunger assembly (13) counterclockwise and remove it from the operating rod (10). Place new plunger assembly (13) on operating rod (10), turn it clockwise and tighten.

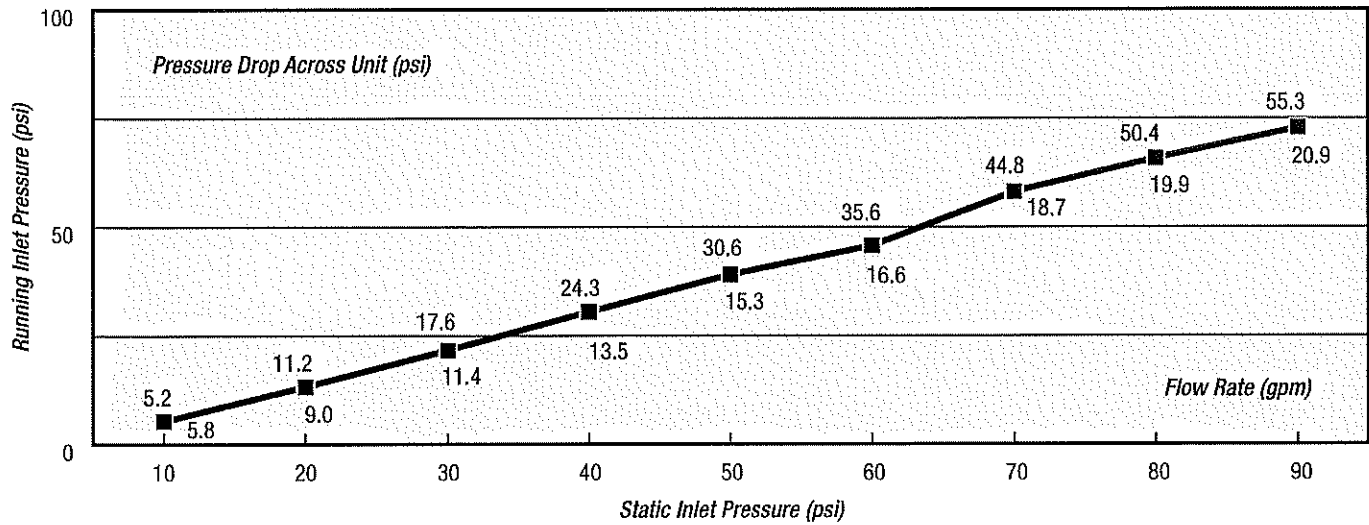
### Step 13: Replacing Head Assembly and Operating Rod/Plunger Assembly

Insert the plunger assembly (13) / operating rod (10) into the galvanized casing (11) until the head assembly (9) contacts the galvanized casing (11). Then using a pipe wrench and large crescent wrench and turning the head (9) clockwise, screw the head (9) tight until the lines on the galvanized casing (11) and the hex portion of the head (9) line up as before removing.

⚠ **WARNING:** Cancer and Reproductive Harm - [www.P65Warnings.ca.gov](http://www.P65Warnings.ca.gov)  
 ⚠ **ADVERTENCIA:** Cáncer y daño reproductivo - [www.P65Warnings.ca.gov](http://www.P65Warnings.ca.gov)  
 ⚠ **AVERTISSEMENT:** Cancer et effets néfastes sur la reproduction - [www.P65Warnings.ca.gov](http://www.P65Warnings.ca.gov)

**Z1395XL YARD HYDRANT 3/4" Hose Connection Chart and Graph**

Z1395 Yard Hydrant – 3/4" Hose Connection				
Static Pressure (psi)	Running Inlet Pressure (psi)	Running Outlet Pressure (psi)	Flow Rate (gpm)	Pressure Drop Across Unit (psi)
10	5.4	0.2	5.8	5.2
20	13.3	2.1	9.0	11.2
30	21.7	4.0	11.4	17.6
40	30.5	6.3	13.5	24.3
50	39.0	8.4	15.3	30.6
60	45.7	10.2	16.6	35.6
70	58.1	13.3	18.7	44.8
80	65.8	15.5	19.9	50.4
90	72.8	17.5	20.9	55.3





**FLUSHVALVES**  
**ZURN ZTR6203-EWS/ZER6000WS1**

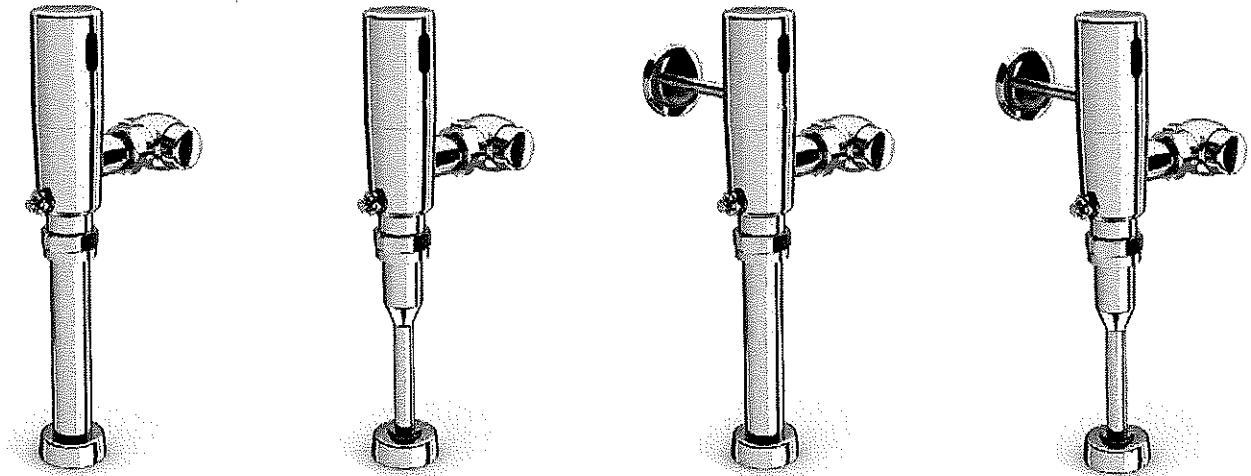


# AquaSense®

## ZTR Series

Automatic Sensor-Operated Piston  
Type Flushometer for Water Closets  
and Urinals

Installation, Operation, Maintenance  
and Parts Manual



### Water Closet Models:

ZTR6200-ONE	1.1 gpf
ZTR6200EV	1.28 gpf
ZTR6200-WS1	1.6 gpf
ZTR6200-WS1-DF	1.6/1.1 gpf

### Power Options:

- Battery (Standard)
- LL (Long Life Battery)
- HW (Hardwired using 7.6 VDC Power Supply Input)

### Urinal Models:

ZTR6203-ULF	0.125 gpf
ZTR6203-QRT	0.25 gpf
ZTR6203-EWS	0.5 gpf
ZTR6203-WS1	1.0 gpf

### Compliance:

- ADA Compliant - Operational Controls
- WaterSense Compliant

**⚠ WARNING:** Cancer and Reproductive Harm - [www.P65Warnings.ca.gov](http://www.P65Warnings.ca.gov)

**⚠ ADVERTENCIA:** Cáncer y daño reproductivo - [www.P65Warnings.ca.gov](http://www.P65Warnings.ca.gov)

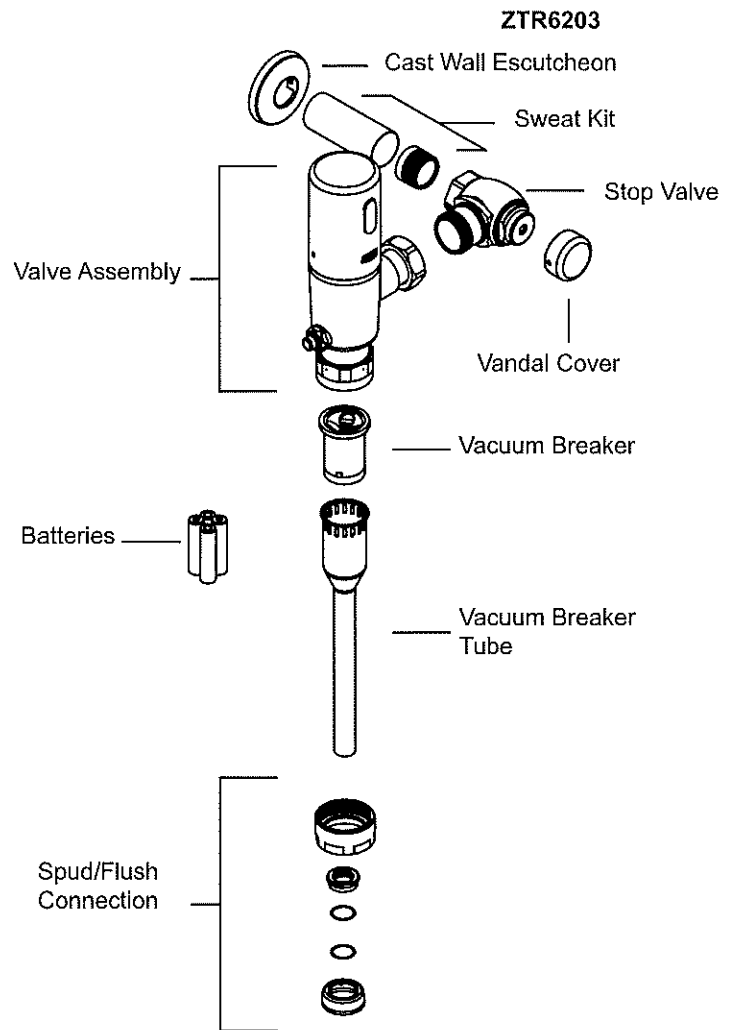
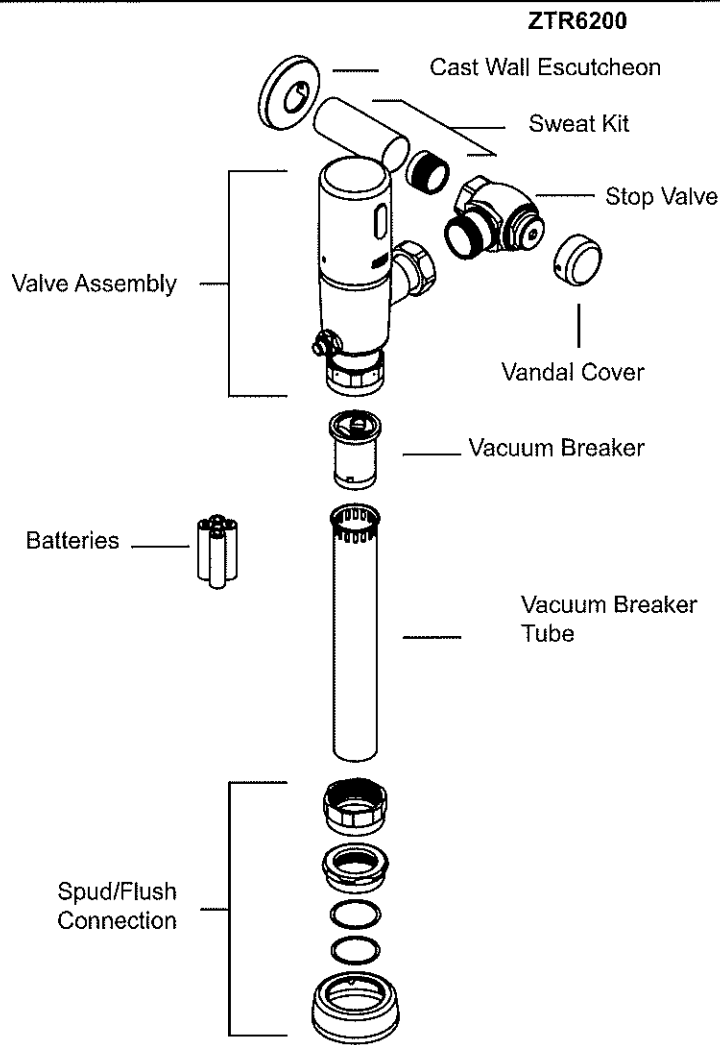
**⚠ AVERTISSEMENT:** Cancer et effets néfastes sur la reproduction - [www.P65Warnings.ca.gov](http://www.P65Warnings.ca.gov)

### LIMITED WARRANTY

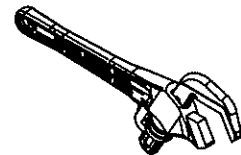
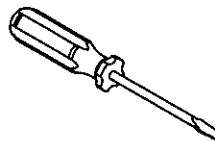
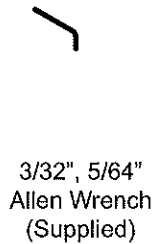
All goods sold hereunder are warranted to be free from defects in material and factory workmanship for a period of three years from the date of purchase. Decorative finishes warranted for one year. We will replace at no costs goods that prove defective provided we are notified in writing of such defect and the goods are returned to us prepaid at Sanford, NC, with evidence that they have been properly maintained and used in accordance with instructions. We shall not be responsible for any labor charges or any loss, injury or damages whatsoever, including incidental or consequential damages. The sole and exclusive remedy shall be limited to the replacement of the defective goods. Before installation and use, the purchaser shall determine the suitability of the product for his intended use and the purchaser assumes all risk and liability whatever in connection therewith. Where permitted by law, the implied warranty of merchantability is expressly excluded. If the products sold hereunder are "consumer products," the implied warranty of merchantability is limited to a period of three years and shall be limited solely to the replacement of the defective goods. All weights stated in our catalogs and lists are approximate and are not guaranteed.

**NOTICE: READ ENTIRE MANUAL PRIOR TO INSTALLING PRODUCT**

# ZTR Series Flush Valve Package Contents



## Required Tools



## Optional Accessories



Magic Magnet  
P6900-AT-MAG

## Overview:

Zurn Aqua-Sense® ZTR Series Flushometer offers two models (closet/urinal) in a variety of flow rates. The ZTR design is a chrome plated brass body with an automatic sensor-operated piston-type valve. The flushometer incorporates a filtered bypass, high back pressure vacuum breaker, adjustable tailpiece, spud coupling, flange for top spud connection and a mechanical override pushbutton (MOB) for alternative flushing methods. The control stop has internal siphon-guard protection, vandal resistant stop cap, sweat solder kit, and cast wall flange with set screw. All internal and external gaskets and seals are chloramine resistant.

## Specifications:

Voltage: 6 VDC Series [4 "AA" (Alkaline or Lithium) and/or external power option]

Sensor Range: Factory set for user at end of elongated bowl or field adjustable by installer

## Important Safety Information:

- Installer is responsible for ensuring the product is installed and conforms to all plumbing codes and ordinances.
- Do not convert or modify this Zurn product yourself. All warranties will be voided.
- Water supply lines must be sized according to building designer in order to provide adequate water supply for each fixture.
- Flush all water lines prior to making connections.

## Prior to Installation:

- The ZTR flushometer is designed to operate optimally between 25 psi (running) to 80 psi (static) water pressure (172 to 552 kPa). Higher running pressure may be required for some fixtures. Consult fixture manufacturer for details.
- When installing a flushometer, it is important that the flush volume matches the requirements of the plumbing fixture.
- To protect chrome finish, do not use toothed tools to install or service the flushometer.
- Before installing your Zurn® Aqua-FIT® Faucet: the items listed below should already be installed on site.
  - Closet
  - Fixture carrier
  - Drain line
  - Water supply line

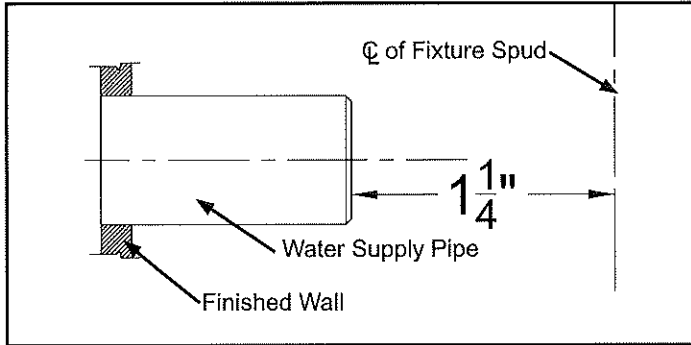
**NOTE:** The information in this manual is subject to change at any time without notice. Installations may be performed at different times of construction by different individuals. For this reason, these instructions should be left on-site with the facility or maintenance manager.

# Sweat Solder Adapter Installation Instructions - STEP 1

**NOTE:** Before installation, turn off water supplies to existing fixture and remove flushometer if replacing an existing device.

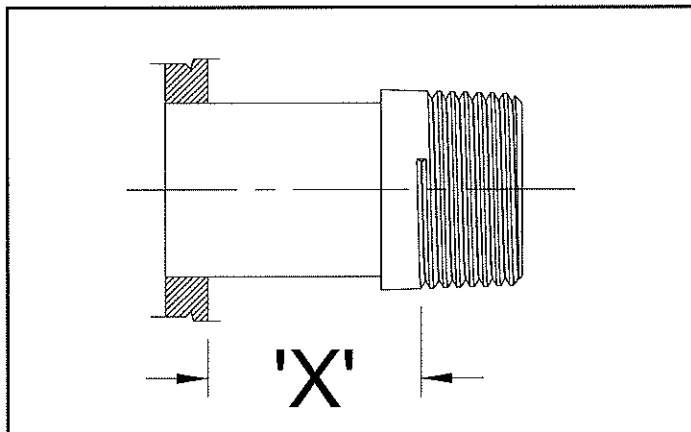
## STEP 1.1

Measure distance from finished wall to the center line of the fixture spud. If necessary, cut water supply pipe 1-1/4" shorter than this measurement. Deburr by chamfering O.D. and I.D of end of water supply pipe.



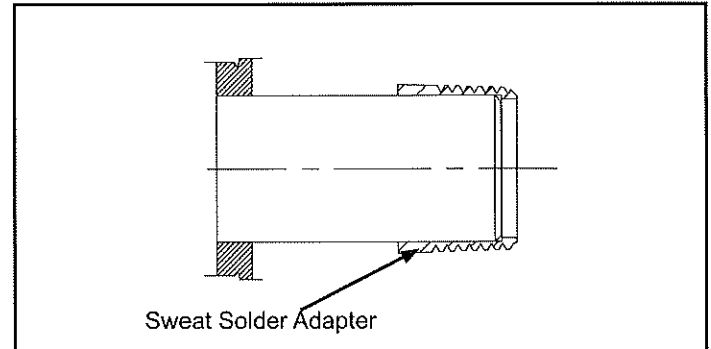
## STEP 1.3

Measure distance from finished wall to first thread of sweat solder adapter. If necessary, cut chrome cover tube this length.



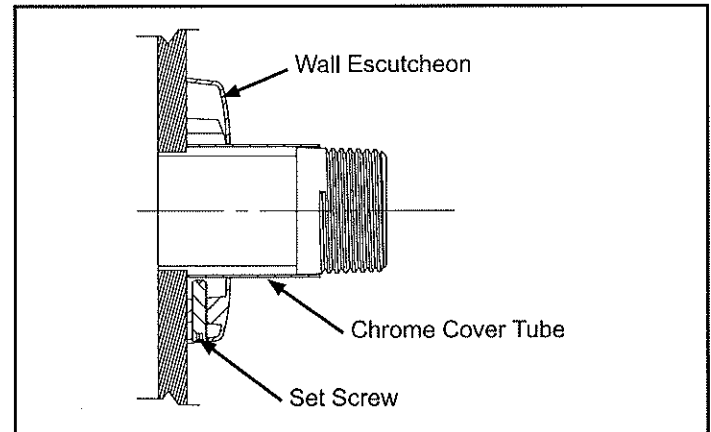
## STEP 1.2

Slide threaded sweat solder adapter onto water supply pipe until shoulder stops on end of pipe. Then sweat-solder the adapter to water supply pipe.



## STEP 1.4

Slide wall escutcheon over chrome cover tube and slide both items over water supply pipe. Press wall escutcheon flush against finished wall and tighten set screw with hex wrench (supplied) to secure it in place.

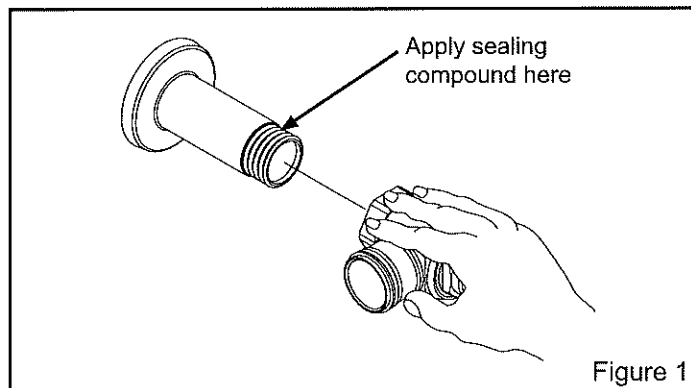


# Control Stop Installation Instructions - STEP 2

## STEP 2.1

Install control stop assembly by threading it onto water supply pipe and tightening with a smooth jawed wrench. Apply thread sealing compound or pipe tape to male NPT thread on sweat solder adapter only.

Prior to turning on main water supply line ensure all stop valves are closed off tight by using a flathead screwdriver and turning the stop valve adjustment screw clockwise.

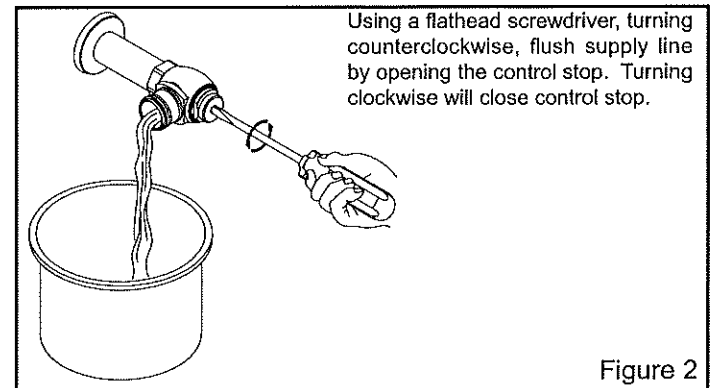


## STEP 2.2

When all stop valves are properly connected to the water supply line and water pressure is available open the control stop using a flathead screwdriver and turning the stop valve adjustment screw counterclockwise.

Allow the water supply line to flush any debris or sediment that may be present in the line.

Close the control stop once the lines are completely flushed.



## Flush Valve Installation - STEP 3

### STEP 3.1

Prior to attaching flush valve to control stop(A) inspect and verify that the O-ring (C) is located within the O-ring groove at the tailpiece. Ensure the locking nut (D) and locking snap ring (E) are also present on the tailpiece. See Figure 3.

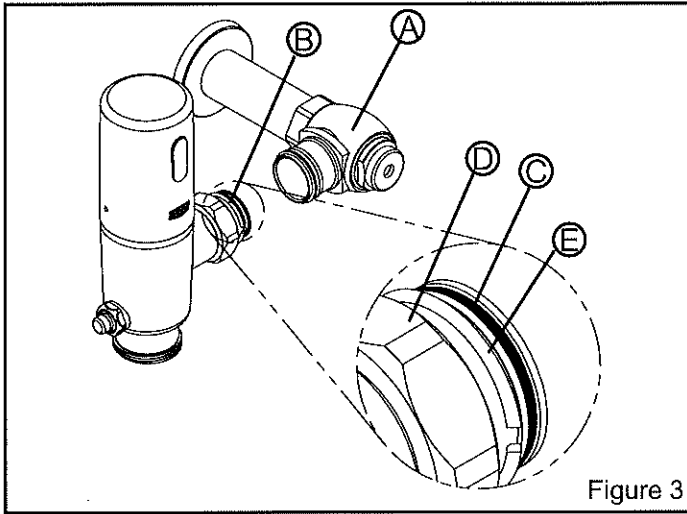


Figure 3

### STEP 3.2

Lubricate O-ring with water if necessary and carefully insert flush valve tailpiece into the control stop valve to ensure O-ring remains seated. Tighten locking nut using a smooth jawed wrench. See Figure 4.

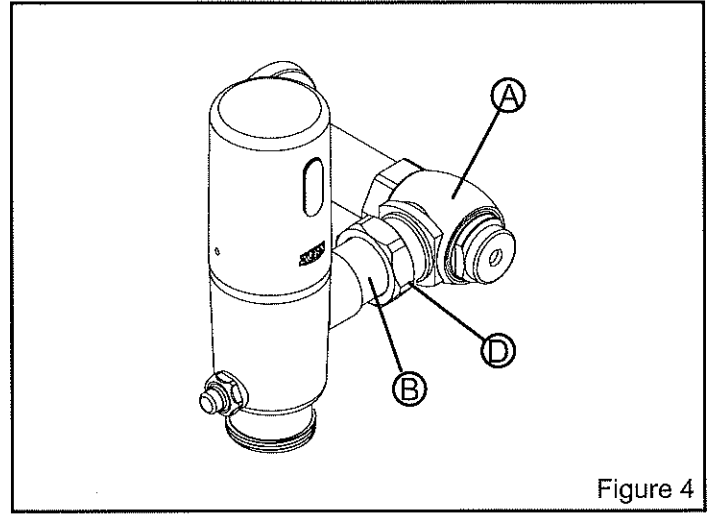


Figure 4

### STEP 3.3

Determine the length of vacuum breaker tube required to join the flush valve and fixture spud, and cut if necessary. See Figure 5.

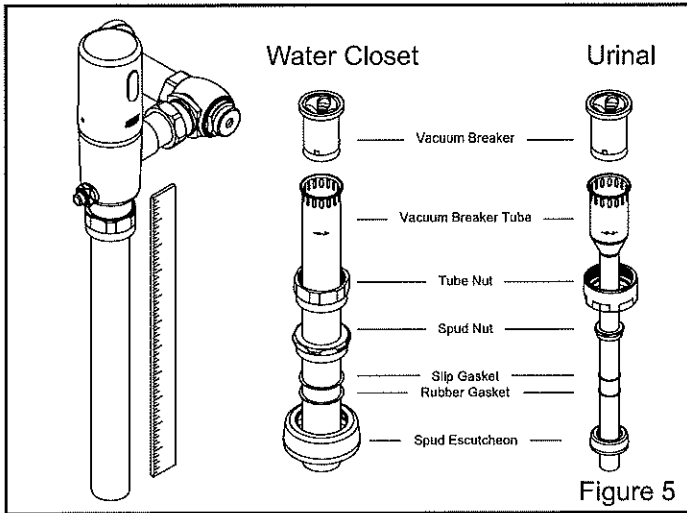


Figure 5

**⚠ DO NOT** use pipe sealant or plumbing grease on any valve component or coupling with the exception of the Control Stop Inlet! Ensure Vacuum Breaker does not twist or warp when tightening Vacuum Breaker Tube Nut.

### STEP 3.4

Assemble and secure the vacuum breaker tube assembly and spud nut assembly to the flush valve and fixture spud by hand tightening the spud nut and vacuum breaker tube nut.

Adjust and plumb the valve assembly. Tighten all connections with smooth jawed wrench and turn on water supply at the control stop. See Figure 5.

**⚠ DO NOT** cut vacuum breaker tube shorter than 6" below the -C-L- indicator mark, as vacuum breaker must be 6" above the fixture. Consult plumbing Codes & Regulations for specific details.

## Remove Sensor Cap (Applies to all versions) - STEP 4

### STEP 4.1

Use the 3/32" Allen Wrench to loosen the internal set screw until it stops. Screw will retract into the base to eliminate loss.

### STEP 4.2

Rotate cap clockwise and pull cap up to remove.

### STEP 4.3

Disconnect black solenoid plug before accessing batteries.

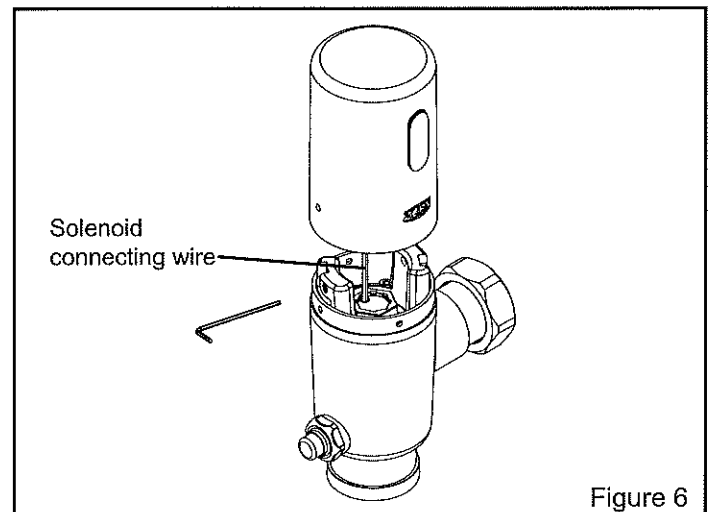


Figure 6

## Battery Installation (Applies to battery and -LL versions only) - STEP 5A

### STEP 5A.1

Remove sealed battery housing from sensor cap and remove top of sealed battery housing by loosening the knurled screw by hand or with a flat head screwdriver. Insert four batteries (supplied) into sealed battery housing and ensure the batteries are inserted in the correct orientation. Reattach top to the sealed battery housing.

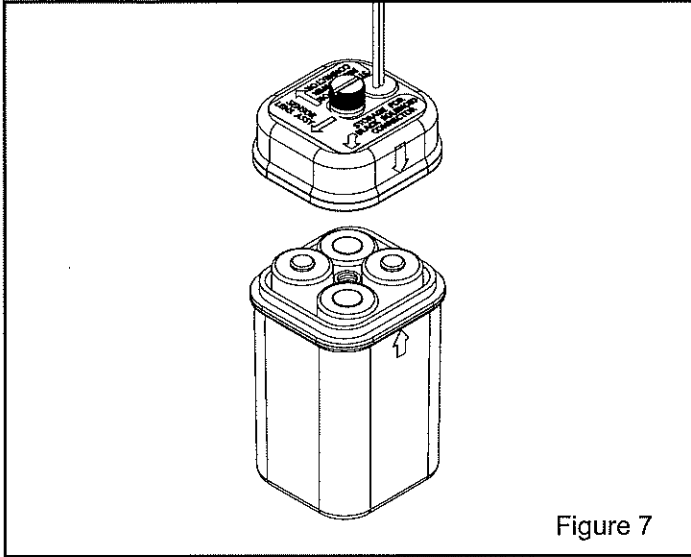


Figure 7

**⚠** Only use one battery type for installation. **DO NOT** mix and match Standard (Alkaline) and Long Life (Lithium) Batteries.

## Hardwire Installation (Applies to -HW versions only) - STEP 5B

### STEP 5B.1

Route 10' power supply cable (supplied) through the wall escutcheon (supplied), wire supply tube (supplied) and the opening on the back of sensor cap.

Connect power supply cable to sensor lens via **RED** connectors by aligning arrows and pressing together.

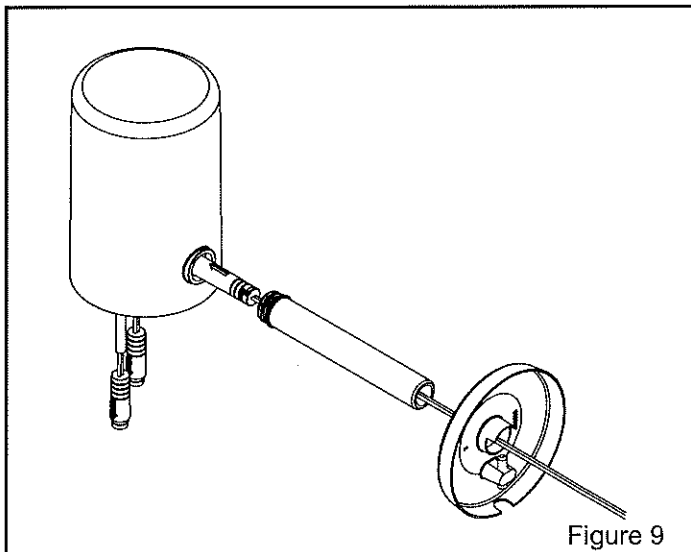


Figure 9

### STEP 5A.2

Connect sealed battery housing to sensor lens via **RED** connectors by aligning arrows and pressing together.

Insert sealed battery housing into sensor cap. Ensure sticker on top of sealed battery housing is oriented properly with the **WHITE** arrow pointing toward the sensor lens. See Figure 8.1.

Utilize open space within the sensor cap to store the connected **RED** power connectors and **BLACK** solenoid connectors. See Figure 8.2.

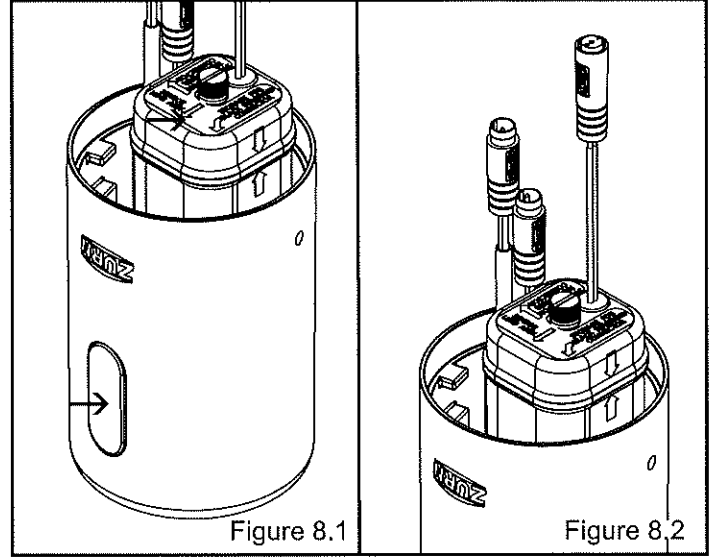


Figure 8.1

Figure 8.2

### STEP 5A.3

Reattach the sensor cap and tighten cap screws.

Hand-tighten wire supply tube into the back of the sensor cap. Slide wall escutcheon along wire supply tube until it is against the sensor cap.

Reattach the sensor cap to the flushometer valve body while ensuring wire supply tube is properly inserted into thru-hole in wall.

Tighten the set screw using 3/32" Allen wrench to secure sensor cap. Slide wall escutcheon flush with wall and secure using set screw and Allen wrench (supplied).

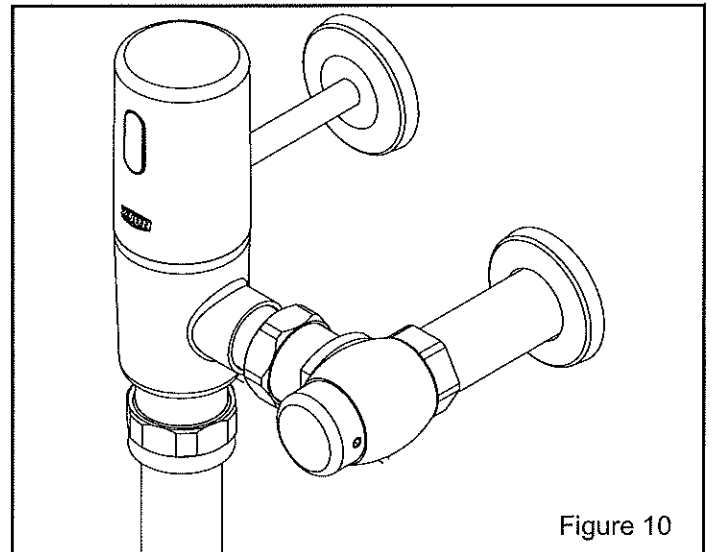
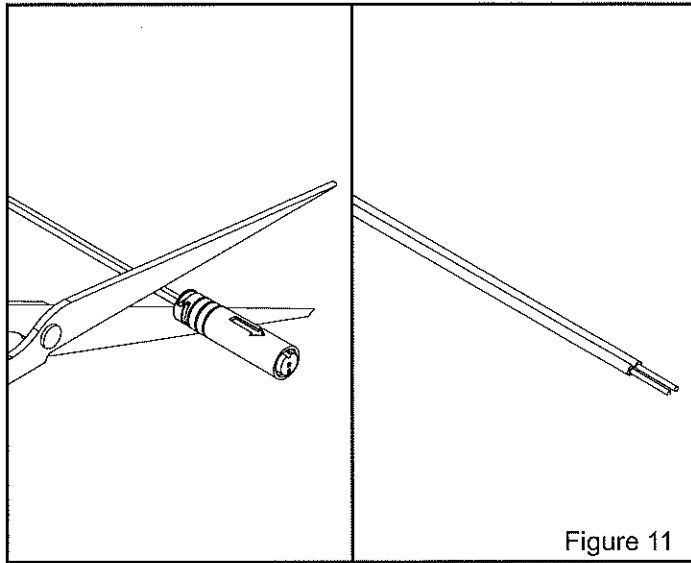


Figure 10

Connect ZTR-HW directly to HW6 Power Converter. (Recommended if one to two ZTR flush valves are powered by one HW6.)

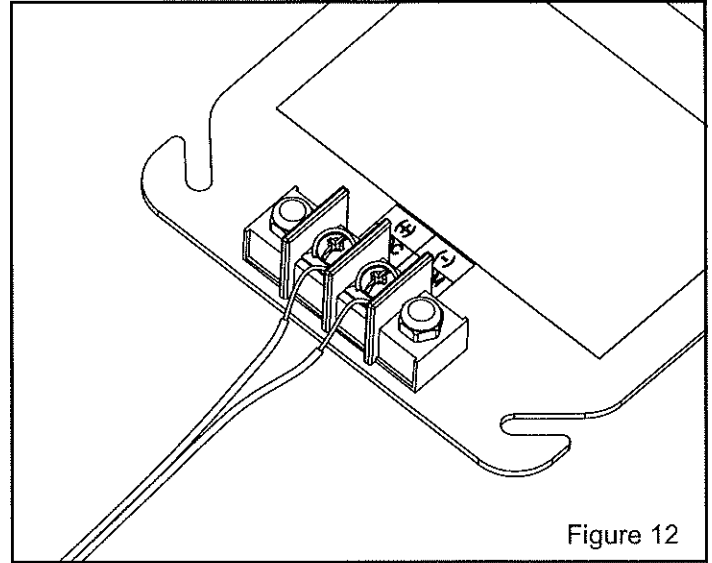
**STEP 5B.2**

Cut **RED** power connector from end of power supply cable not connected to the Sensor Cap and strip back the wire insulation by minimum of 1/4".

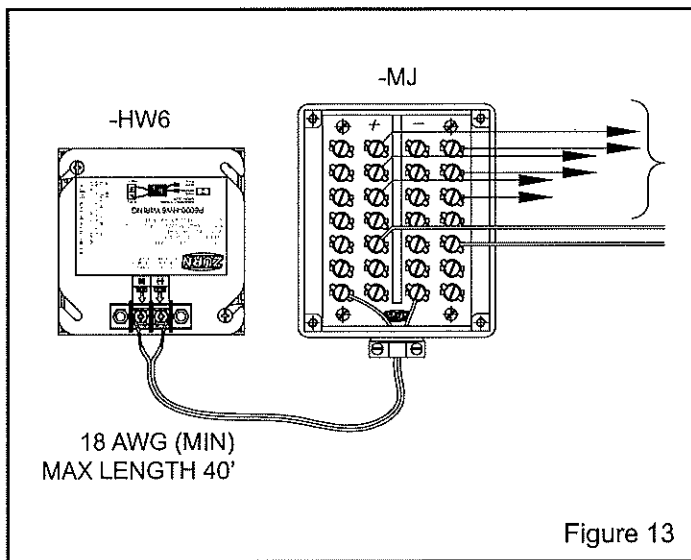


**STEP 5B.3**

Secure **RED** wire to Positive (+) and **BLACK** wire to Negative (-) screw terminals on HW6.



Optional Junction Box (recommended when three or more ZTR flush valves utilize one HW6)





# Metal Sensor Cap Retrofit Installation Instructions

## STEP 6.1

Remove vandal-resistant cover with allen wrench from control stop (if present) and turn control stop clockwise to turn off the water supply.

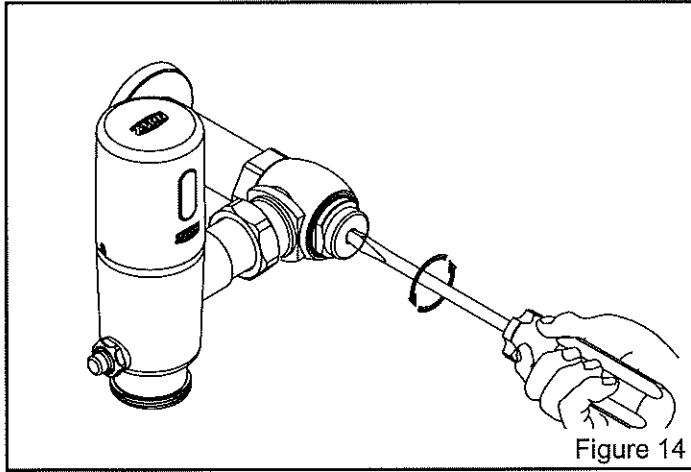


Figure 14

## STEP 6.2

Press and hold the manual override button for 3 seconds to release any residual pressure.

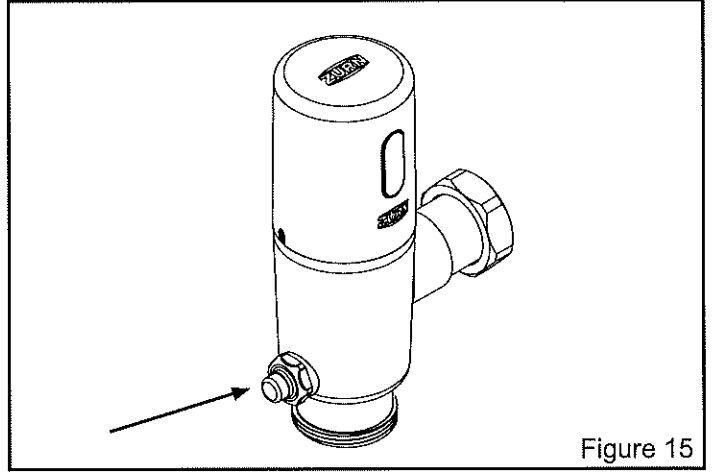


Figure 15

## STEP 6.3 (For Hardwired Only)

Loosen set screw in wall escutcheon and slide escutcheon against the sensor cap

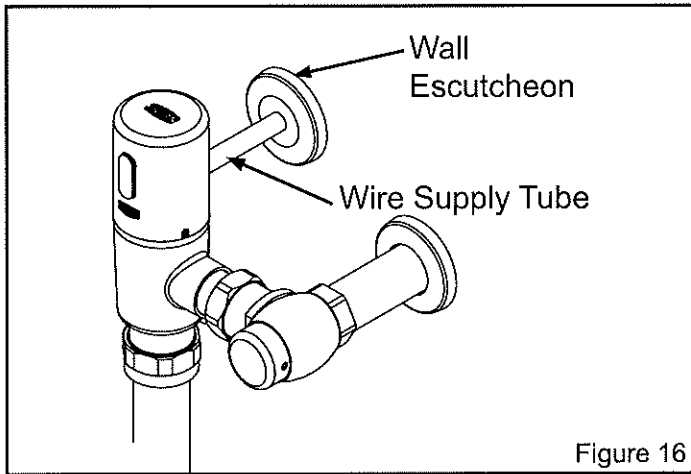


Figure 16

## STEP 6.4

Use a 5/64" allen wrench to remove the two cap screws from the sensor cap and remove the sensor cap. See Figure 17. Disconnect black solenoid plug.

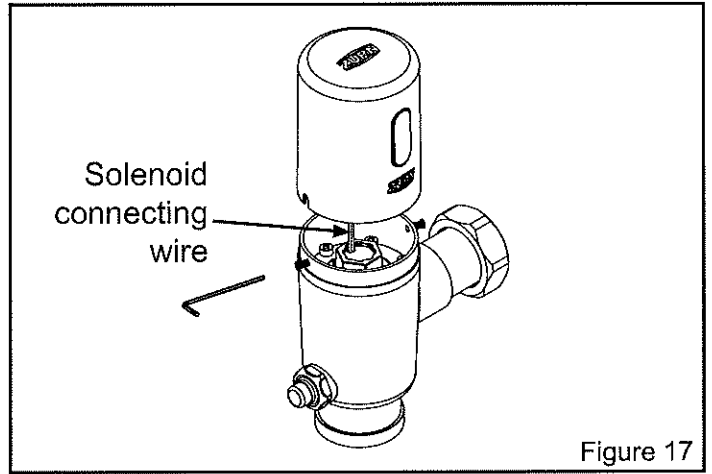


Figure 17

## STEP 6.5 (For Hardwired Only)

Disconnect the red sensor plug and loosen the wire supply tube. Remove both the wire supply tube and escutcheon. Keep for metal sensor cap installation.

## STEP 6.6

Remove the 4 sockets screws shown in Figure 18 using a M3 allen wrench and discard the screws

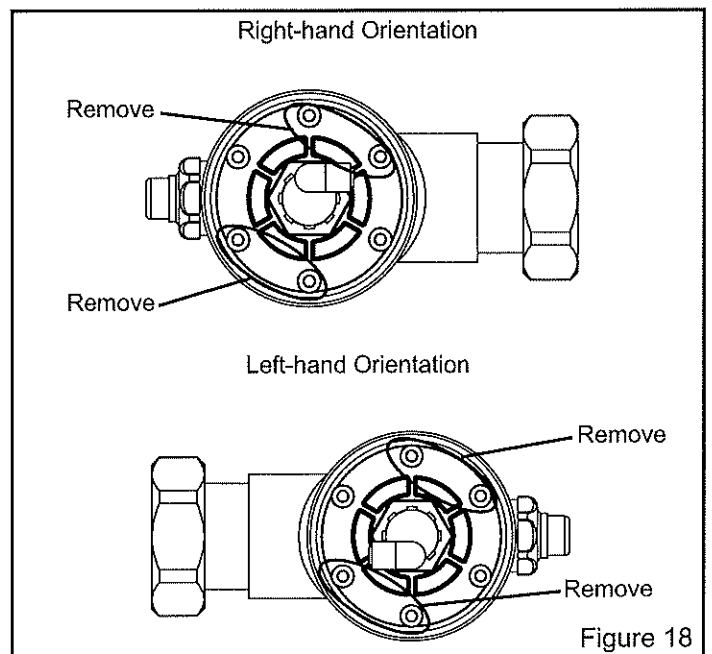


Figure 18

**STEP 6.7**

Note socket screw pockets in the ring insert and place over remaining 2 socket screws See Figure 19.

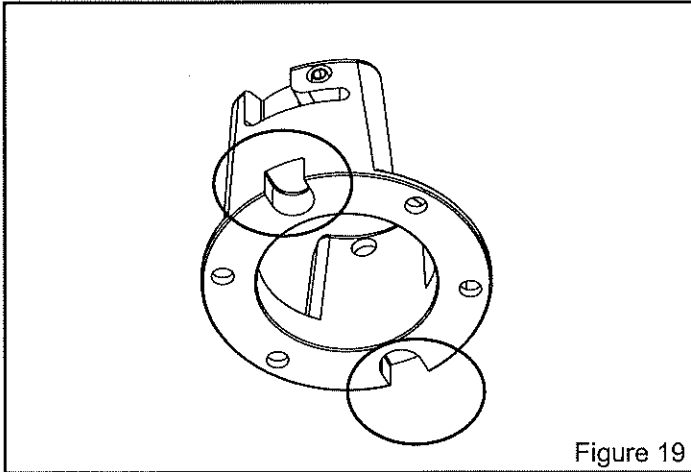


Figure 19

**STEP 6.8**

Ensure ring insert set screws align with valve body holes shown in Figure 20. Hand start the 4 new socket screws (included) into the ring insert. Tighten screws in the torque sequence shown on Figure 21.

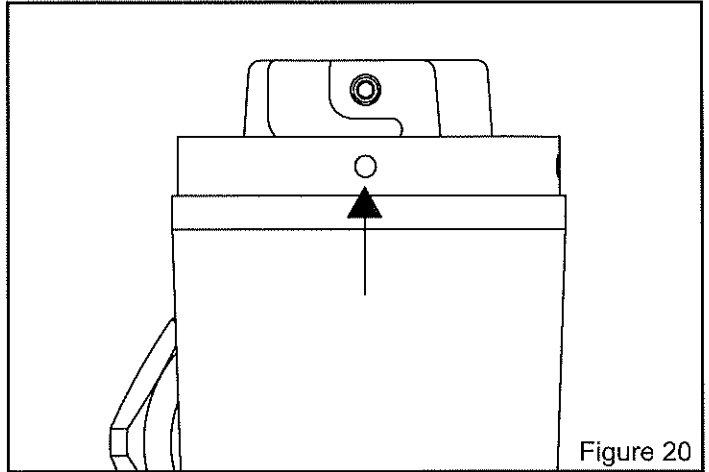


Figure 20

**STEP 6.9**

Remove sealed battery housing from sensor cap and remove top of sealed battery housing by loosening the knurled screw by hand or with a flat head screwdriver. Insert four batteries (supplied) into sealed battery housing and ensure the batteries are inserted in the correct orientation. Reattach top to the sealed battery housing.

**STEP 6.10**

Connect sealed battery housing to sensor lens via **RED** connectors by aligning arrows and pressing together.

Insert sealed battery housing into sensor cap. Ensure sticker on top of sealed battery housing is oriented properly with the **WHITE** arrow pointing toward the sensor lens. See Figure 23.

Utilize open space within the sensor cap to store the connected **RED** power connectors and **BLACK** solenoid connectors per the sticker on the battery housing. See Figure 24.

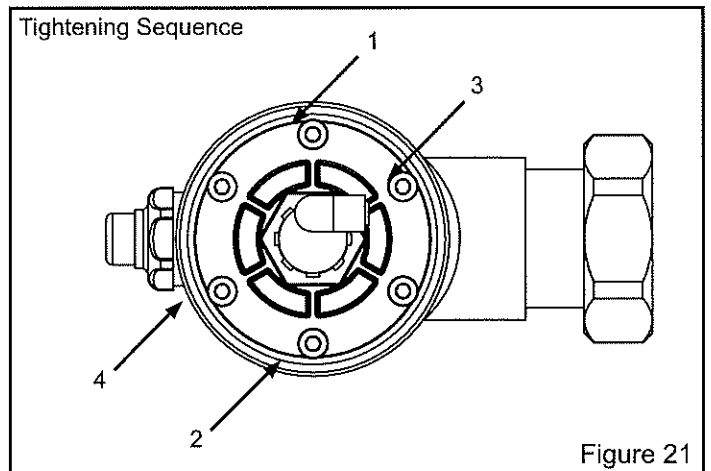


Figure 21

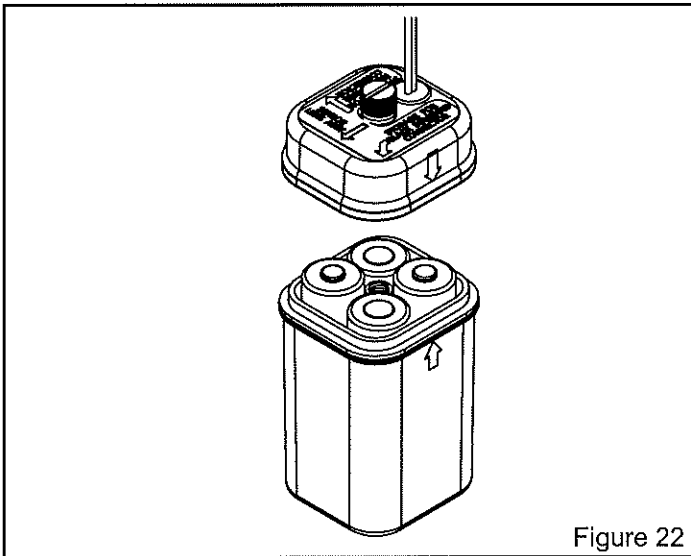


Figure 22

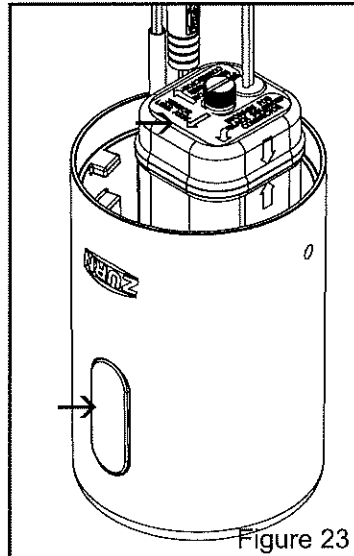


Figure 23

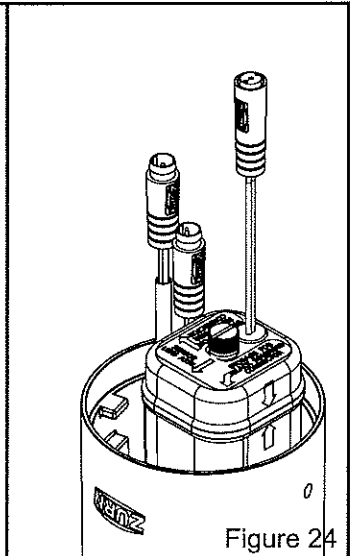


Figure 24

**STEP 6.11 (For Hardwired Only)**

Route 10' power supply cable through the wall escutcheon, wire supply tube, and the opening on the back of the metal sensor cap.

Connect the power supply cable to the sensor lens via the **RED** connectors by aligning the arrows and pressing together.

Hand-tighten wire supply tube into the back of the sensor cap. Slide wall escutcheon along wire supply tube until it is against the sensor cap.

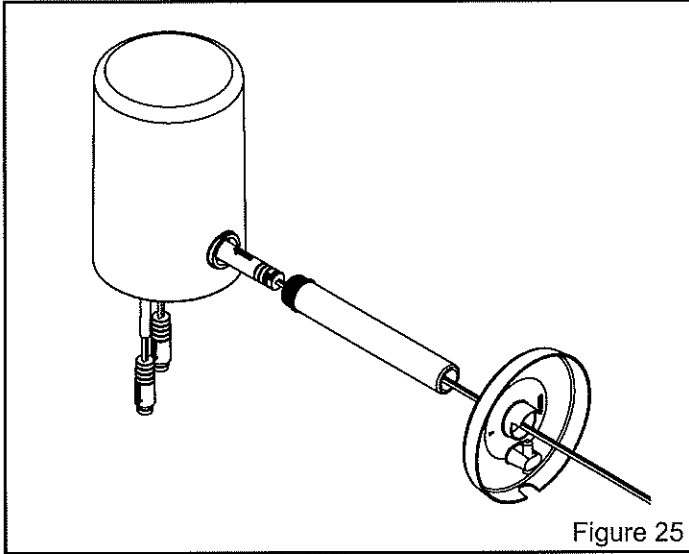


Figure 25

**STEP 6.12**

Align set screw hole in sensor cap with key way in ring insert and place sensor cap on valve body.

Rotate sensor cap counter clockwise until the set screw is visible in the sensor cap hole and the sensor is facing forward. Using the 3/32" allen wrench(provided) rotate the set screw clockwise to secure the cap.

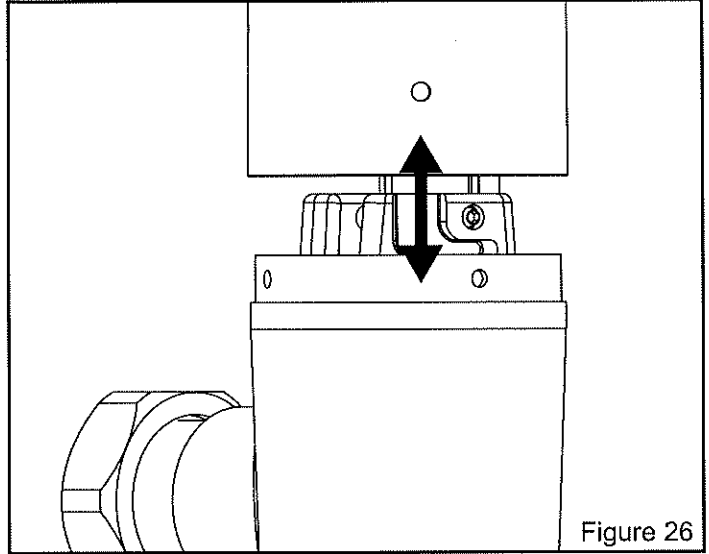


Figure 26

**Dip Switch Settings (when necessary)**

**Courtesy Flush**

A courtesy flush can be enabled for the ZTR flushometer where the valve will automatically flush at a specified interval based on customer preference. Simply manipulate Dips witches #2 and #3 located on the Sensor Lens found on the inside of the Sensor Cap to change the courtesy flush interval.

Courtesy Flush Interval	Dipswitch #2	Dipswitch #3
Disabled (Default Setting)	ON	ON
24 hours	ON	OFF
48 hours	OFF	ON
72 hours	OFF	OFF

**Dual Flush Option (If Equipped)**

The dual flush option can be enabled by turning switch #1 to the **ON** position.

Note: The ZTR Dual Flush must be originally ordered with the dual flush option. Regular single flush valves will not function in dual flush mode.

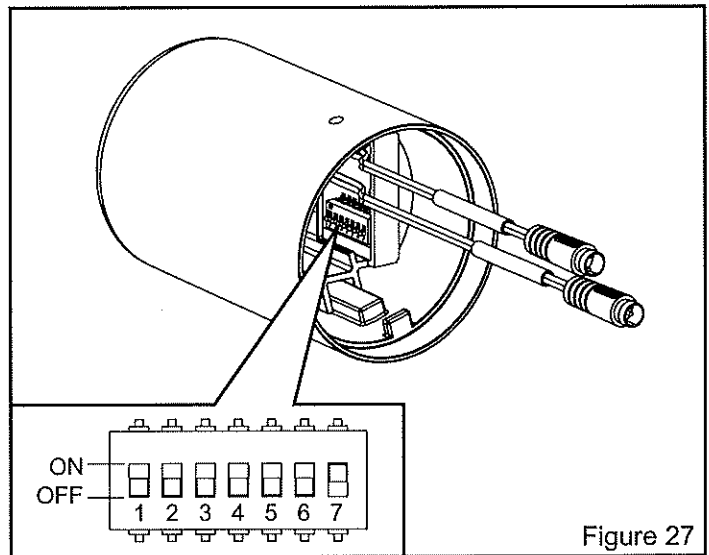


Figure 27

## Sensor Range Adjustment (when necessary)

### STEP 1.1

Place the Zurn Magic Magnet (optional accessory: P6900-AT-MAG) against the cap at the lower right corner of the Zurn logo under the sensor lens. Hold in place until the valve automatically flushes and the red LED light flashes two (2) times. Remove Magic Magnet from flush valve. The valve has entered calibrate mode.

### STEP 1.2

Place light-colored target at desired detection range away from sensor. After 10 more LED flashes followed by a double flash and/or flush the new detection range will be calibrated and set.

**⚠** Test new calibrated sensor range using targets of various material types/textures to ensure calibration accuracy. Verify that sensor range does not detect stall doors or other reflective surfaces.

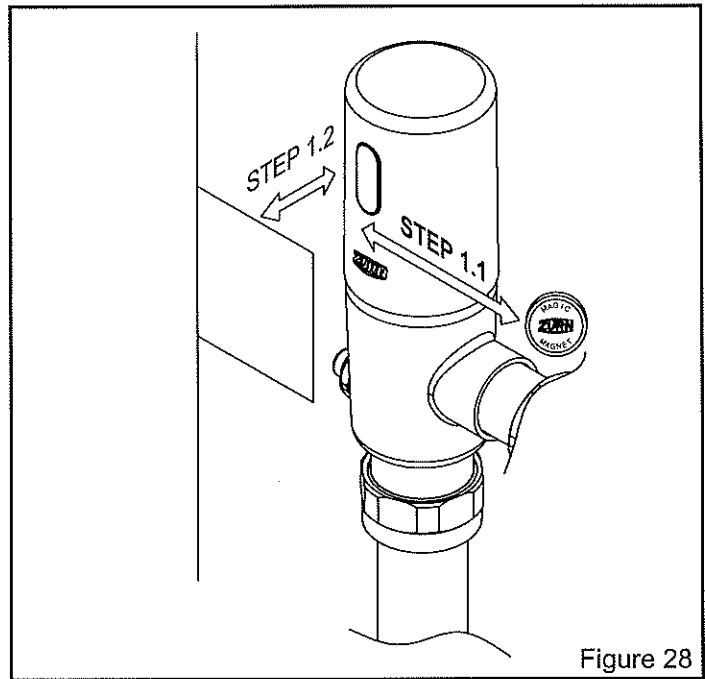


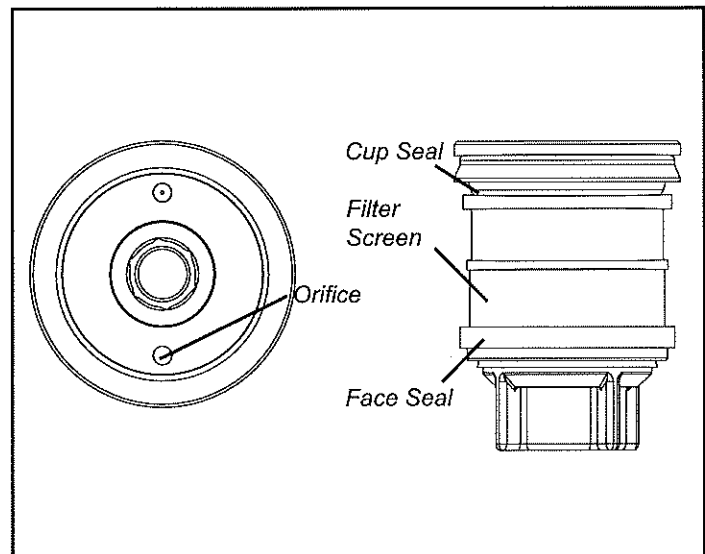
Figure 28

## Care and Cleaning Instruction

- Do not use any abrasive or chemical cleaners to clean the flushometer.
- ONLY use mildly warm soapy water, and then wipe the device dry with a clean/soft towel or cloth.
- Upon cleaning other areas of the restroom, be sure the sensor lenses are protected from other cleaning chemicals/solvents to prevent potential damages to the sensor and/or electronics.

### Accessing Piston Kit

- 1.) Turn off water supply and press manual override button to relieve all water pressure.
- 2.) Remove valve cap to expose ring insert. Using the M3 Allen Wrench remove the 4 screws and the ring insert.
- 3.) Remove the remaining 2 screws and the solenoid flange.
- 4.) Remove the piston kit from the valve body and inspect for damage to the seals or debris in the orifice. Excessive build up of debris may occur on filter screen.



## TROUBLE SHOOTING GUIDE

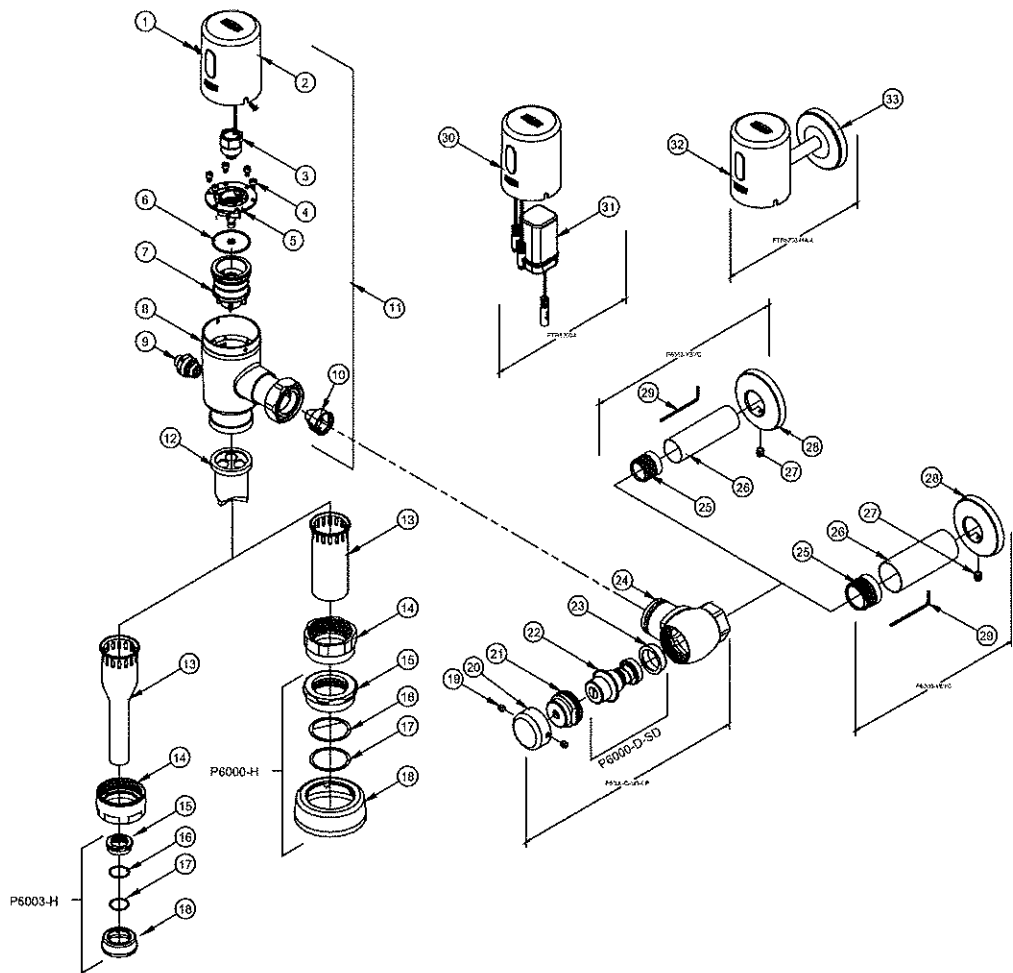
PROBLEM	INDICATOR	POTENTIAL CAUSE	SOLUTION
Valve does not flush	No lights on sensor board	Batteries not making contact	Remove and reinstall batteries correctly - See step 5A for reference
		Batteries reversed polarity	
	Sensor flashes (red) every 10 seconds	Low battery voltage indication	Replace batteries - see Step 5A for reference
		Sensor flashes (red) every 30 seconds	Continuous target detection of object within sensor range
	#2 Identify and remove any target from sensor field		
	#3 Reduce sensor range distance (see page 10 for Sensor Range Adjustment instructions).		
	Sensor detects user but fails to flush upon exiting sensor range	Batter power level too low to activate full flush - sensor board automatically shuts down to avoid open flush	Replace batteries See Step 5A for reference
Dirty sensor lens		Clean lens until free of debris	
Loose or damaged solenoid connection		Inspect connection between solenoid and sensor for proper insertion - step 4	
No target detected	Install environment may require adjustment of the sensor range from the factory settings	Re-calibrate sensor range - see Sensor Range Adjustment (Figure 28) page 10	
Valve does not shut off water (continuous flow)	Normal target detection	Water pressure either too high or too low	Adjust water pressure to recommended range: 35 to 80 psi running water pressure
		Piston and / or solenoid plugged or damaged	Remove Piston and / or Solenoid to examine for damage or plugging. Clean piston / solenoid orifice if plugged. Replace solenoid kit if solenoid diaphragm is damaged.
		Low or no power allowing solenoid to move to open position but not enough power to return to closed position.	Replace batteries or restore power if hardwired.
		MOB (mechanical override button) sticking in open position	Replace MOB.
Valve flows low (short flushing)	Valve does not evacuate fixture	Tailpiece filter is clogged with debris	#1 Turn stop off #2 Remove valve from stop and fixture #3 Inspect/clean filter (see parts breakdown - Part number 10)
		Piston orifice is enlarged	Replace piston
		Flush valve rating does not match fixture flush rating	Replace flush valve to match fixture flush rating
Ghost flushing	Flush valve activates without target present.	Highly reflective environment	Re-calibrate sensor range - see Sensor Range Adjustment
		Sensor range set too far, picking up other objects.	
Continuous flushing	Valve flushes every 30 seconds.	Magnet stored in sensor cap.	Remove magnet from sensor cap. Do not store magnet in flush valve.
Electronic Control Board	Cannot adjust sensor range	Processor latched	Reset electronics module by removing cap, disconnect power connector and shorting terminals together. Reconnect power, allowing 30 seconds to complete power up sequence.
	DIP switch settings	Configuration changes to DIP switches	Remove cap from valve and disconnect power. Move DIP switch to desired position. Reconnect power, allowing 30 seconds to complete power up sequence.

For further assistance with troubleshooting, visit <http://www.zurn.com/>

# ZTR6200 Series Parts Breakdown (Plastic Cap)

## Parts Identification

1. Cover screw
2. Valve Cap/Sensor Assembly
3. Solenoid
4. Piston Cover Screws
5. Solenoid Kit
6. Flange O-rings
7. Piston Kit
8. Valve Housing
9. Manual Override Button
10. Filter
11. Valve Assembly
12. Vacuum Breaker
13. Vacuum Breaker Tube
14. Vacuum Breaker Tube Nut
15. Spud Nut
16. Spud Friction Washer
17. Spud Sleeve
18. Spud Escutcheon
19. Setscrew for Control Stop Cover
20. Vandal-Resistant Control Stop Cover
21. Stop Cap Bonnet
22. Stop Internals
23. Piston Seal
24. Stop Body
25. Sweat Solder Adapter
26. Supply Cover Tube
27. Setscrew for Cast Wall Escutcheon
28. Cast Wall Escutcheon
29. Hex Wrench
30. Top Valve Cap/Sensor Assembly
31. Battery Housing
32. Hardwired Top Valve Cap/Sensor Assembly
33. Wire Supply Tube and Escutcheon



Battery Cap	Product No.
Valve Cap, (1.1 gpf), Item 2	PTR6200-L-1.1
Valve Cap, (1.28 gpf), Item 2	PTR6200-L-1.28
Valve Cap, (1.6 gpf), Item 2	PTR6200-L-1.6
Valve Cap, (1.0 gpf), Item 2	PTR6200-L-1.0
Valve Cap, (0.5 gpf), Item 2	PTR6200-L-0.5
Valve Cap, (0.25 gpf), Item 2	PTR6200-L-0.25
Valve Cap, (0.125 gpf), Item 2	PTR6200-L-0.125

Hardwired Cap	Product No.
Valve Cap, (1.1 gpf), Item 32	PTR6200-HW-L-1.1
Valve Cap, (1.28 gpf), Item 32	PTR6200-HW-L-1.28
Valve Cap, (1.6 gpf), Item 32	PTR6200-HW-L-1.6
Valve Cap, (1.0 gpf), Item 32	PTR6200-HW-L-1.0
Valve Cap, (0.5 gpf), Item 32	PTR6200-HW-L-0.5
Valve Cap, (0.25 gpf), Item 32	PTR6200-HW-L-0.25
Valve Cap, (0.125 gpf), Item 32	PTR6200-HW-L-0.125

Valve and Components	Product No.
Valve Housing, Items 8 & 9	PTR6200-HSA
Solenoid Replacement Kit, Item 3-5	PTR6200-M
Piston Kit (1.1/1.28/1.6 GPF), Item 7	PTR6200-EC
Piston Kit (0.5/1.0 GPF), Item 7	PTR6203-EU
Piston Kit (0.125/0.25 GPF), Item 7	PTR6203-EU-ULF
Manual Override Button Assy, Item 9	PTR6200-24
Flange O-Ring, Item 6	PTR6200-M-RING
Flange Screws, Item 4	PTR6200-M-S
Filter, (1.28/1.6 gpf), Item 10	P6000-FA
Filter, (1.0/0.5 gpf), Item 10	PTR6203-FA
Sealed Battery Housing, Item 31	PTR6200-BATT

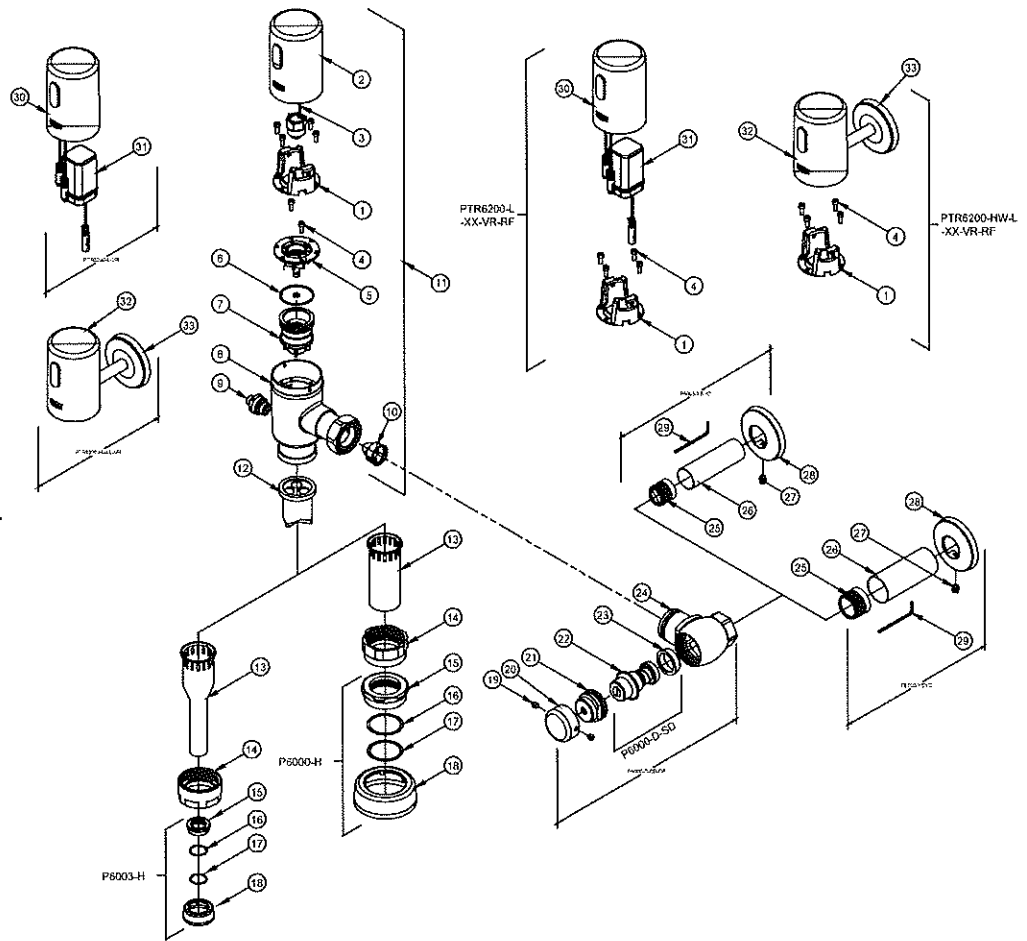
Flush Connections and Spud Coupling Kits	Product No.
Flush Connection and Spud Coupling, Items 15-18	P6000-H P6003-H
Vacuum Breaker Repair Kit, Items 12	P6000-B-HP P6003-B-HP
Vacuum Breaker Tube, Item 13	P6000-A-CP
Vacuum Breaker Tube Nut, Item 14	P6000-AA-CP

Control Stop Repair Kit and Parts	Product No.
Control Stop Repair Kit for 1" and 3/4", Includes Items 14-20	P6000-C-SD-CP
Seal Seat for 1" and 3/4", Includes Item 23	P6000-D42
Sweat Solder Adapter, Includes Item 25	P6000-YBA
Vandal resistant control stop cover Items 19-20	P6000-VC
Sweat solder kit, Items 25-29	P6000-YBYC P6003-YBYC

# ZTR6200 Series Parts Breakdown (Metal Cap)

## Parts Identification

1. Ring Insert Assembly
2. Valve Cap/Sensor Assembly
3. Solenoid
4. Piston Cover Screws
5. Solenoid Kit
6. Flange O-rings
7. Piston Kit
8. Valve Housing
9. Manual Override Button
10. Filter
11. Valve Assembly
12. Vacuum Breaker
13. Vacuum Breaker Tube
14. Vacuum Breaker Tube Nut
15. Spud Nut
16. Spud Friction Washer
17. Spud Sleeve
18. Spud Escutcheon
19. Setscrew for Control Stop Cover
20. Vandal-Resistant Control Stop Cover
21. Stop Cap Bonnet
22. Stop Internals
23. Piston Seal
24. Stop Body
25. Sweat Solder Adapter
26. Supply Cover Tube
27. Setscrew for Cast Wall Escutcheon
28. Cast Wall Escutcheon
29. Hex Wrench
30. Vandal Resistant Top Valve Cap/ Sensor Assembly
31. Battery Housing
32. Vandal Resistant Hardwired Top Valve Cap/Sensor Assembly
33. Wire Supply Tube and Escutcheon



Battery Cap	Product No.
Metal Valve Cap, (1.1 gpf), Item 2	PTR6200-L-1.1-VR
Metal Valve Cap, (1.28 gpf), Item 2	PTR6200-L-1.28-VR
Metal Valve Cap, (1.6 gpf), Item 2	PTR6200-L-1.6-VR
Metal Valve Cap, (1.0 gpf), Item 2	PTR6200-L-1.0-VR
Metal Valve Cap, (0.5 gpf), Item 2	PTR6200-L-0.5-VR
Metal Valve Cap, (0.25 gpf), Item 2	PTR6200-L-0.25-VR
Metal Valve Cap, (0.125 gpf), Item 2	PTR6200-L-0.125-VR
Metal Valve Cap Retrofit Kit, Item 1, 4, 30 & 31	PTR6200-L-XX-VR-RF
Metal Valve Cap, (1.6/1.1 gpf), Item 2	PTR6200-L-WS1-DF-VR

Hardwired Cap	Product No.
Metal Valve Cap, (1.1 gpf), Item 32	PTR6200-HW-L-1.1-VR
Metal Valve Cap, (1.28 gpf), Item 32	PTR6200-HW-L-1.28-VR
Metal Valve Cap, (1.6 gpf), Item 32	PTR6200-HW-L-1.6-VR
Metal Valve Cap, (1.0 gpf), Item 32	PTR6200-HW-L-1.0-VR
Metal Valve Cap, (0.5 gpf), Item 32	PTR6200-HW-L-0.5-VR
Metal Valve Cap, (0.25 gpf), Item 32	PTR6200-HW-L-0.25-VR
Metal Valve Cap, (0.125 gpf), Item 32	PTR6200-HW-L-0.125-VR
Metal Valve Cap Retrofit Kit, Item 1, 4, 32 & 33	PTR6200-HW-L-XX-VR-RF
Metal Valve Cap, (1.6/1.1 gpf), Item 32	PTR6200-HW-L-WS1-DF-VR

Valve and Components	Product No.
Valve Housing, Items 8 & 9	PTR6200-HSA
Solenoid Replacement Kit for Valves with Metal Caps, Item 3-5	PTR6200-M
Piston Kit (1.1/1.28/1.6 GPF), Item 7	PTR6200-EC
Piston Kit (0.5/1.0 GPF), Item 7	PTR6203-EU
Piston Kit (0.125/0.25 GPF), Item 7	PTR6203-EU-ULF
Manual Override Button Assy, Item 9	PTR6200-24
Flange O-Ring, Item 6	PTR6200-M-RING
Flange Screws for Valves with Metal Caps, Item 4	PTR6200-M-S-VR
Filter, (1.1/1.28/1.6 gpf), Item 10	P6000-FA
Filter, (1.0/0.5 gpf), Item 10	PTR6203-FA
Filter, (0.25/0.125 gpf), Item 10	PTR6203-FA-LF
Sealed Battery Housing, Item 31	PTR6200-BATT

Flush Connections and Spud Coupling Kits	Product No.
Flush Connection and Spud Coupling, Items 15-18	P6000-H P6003-H
Vacuum Breaker Repair Kit, Items 12	P6000-B-HP P6003-B-HP
Vacuum Breaker Tube, Item 13	P6000-A-CP
Vacuum Breaker Tube Nut, Item 14	P6000-AA-CP

Control Stop Repair Kit and Parts	Product No.
Control Stop Repair Kit for 1" and 3/4", Includes Items 14-20	P6000-C-SD-CP
Seal Seat for 1" and 3/4", Includes Item 23	P6000-D42
Sweat Solder Adapter, Includes Item 25	P6000-YBA
Vandal resistant control stop cover Items 19-20	P6000-VC
Sweat solder kit, Items 25-29	P6000-YBYC P6003-YBYC

This Page Intentionally Left Blank



Rev. AD | Date: 11/08/22 | C.N. No. 144844 | Prod./Dwg. No. FV541

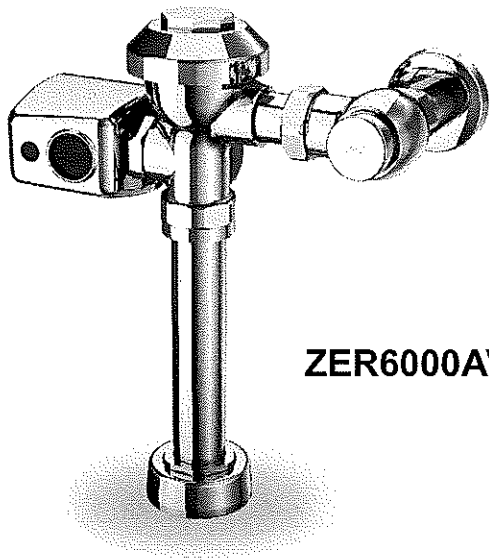
---

Patent [zurn.com/patents](http://zurn.com/patents)  
US 1.855.0NE.ZURN CANADA 1.877.892.5216  
ZURN.COM

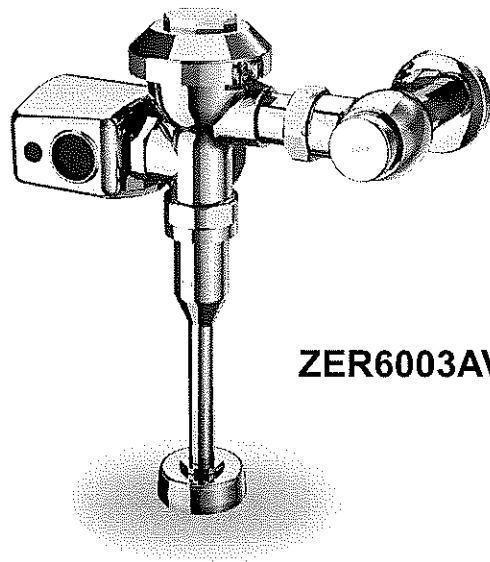
by **ZURN ELKAY** Water Solutions



# Connected AquaSense® Battery Powered Flush Valve ZER-W2 Series Installation, Operation, Maintenance and Parts Manual



ZER6000AV-W2



ZER6003AV-W2

- ⚠ **WARNING:** Cancer and Reproductive Harm - [www.P65Warnings.ca.gov](http://www.P65Warnings.ca.gov)
- ⚠ **ADVERTENCIA:** Cáncer y daño reproductivo - [www.P65Warnings.ca.gov](http://www.P65Warnings.ca.gov)
- ⚠ **AVERTISSEMENT:** Cancer et effets néfastes sur la reproduction - [www.P65Warnings.ca.gov](http://www.P65Warnings.ca.gov)

### LIMITED WARRANTY

All goods sold hereunder are warranted to be free from defects in material and factory workmanship for a period of three years from the date of purchase. Decorative finishes warranted for one year. We will replace at no costs goods that prove defective provided we are notified in writing of such defect and the goods are returned to us prepaid at Sanford, NC, with evidence that they have been properly maintained and used in accordance with instructions. We shall not be responsible for any labor charges or any loss, injury or damages whatsoever, including incidental or consequential damages. The sole and exclusive remedy shall be limited to the replacement of the defective goods. Before installation and use, the purchaser shall determine the suitability of the product for his intended use and the purchaser assumes all risk and liability whatever in connection therewith. Where permitted by law, the implied warranty of merchantability is expressly excluded. If the products sold hereunder are "consumer products," the implied warranty of merchantability is limited to a period of three years and shall be limited solely to the replacement of the defective goods. All weights stated in our catalogs and lists are approximate and are not guaranteed.



## **Electronic emission notices**

This device complies with Part 15 of the FCC Rules. Operation is subject to the following two conditions: (1) this device may not cause harmful interference, and (2) this device must accept any interference received, including interference that may cause undesired operation.

The following information refers to Zurn Smart Connected Products, types: -W1. This equipment has been tested and found to comply with the limits for a Class A digital device, pursuant to Part 15 of the FCC Rules. These limits are designed to provide reasonable protection against harmful interference intended for use in non-residential/non-domestic environments. This equipment generates, uses, and can radiate radio frequency energy and, if not installed and used in accordance with the instructions, may cause harmful interference to radio communications. However, there is no guarantee that interference will not occur in a particular installation. If this equipment does cause harmful interference to radio or television reception, which can be determined by turning the equipment off and on, the user is encouraged to try to correct the interference by one or more of the following measures:

- Reorient or relocate the receiving antenna.
- Increase the separation between the equipment and receiver.
- Connect the equipment into an outlet on a circuit different from that to which the receiver is connected.
- Consult an authorized dealer or service representative for help.

Zurn is not responsible for any radio or television interference caused by using other than specified or recommended cables and connectors or by unauthorized changes or modifications to this equipment. Unauthorized changes or modifications could void the user's authority to operate the equipment.

Responsible party: ZURN INDUSTRIES, LLC 511 W. Freshwater Way, Milwaukee, WI  
U.S.A. 53204 · Ph. 1-855-ONE-ZURN, Fax 919-775-3541

## Prior to Installation

Prior to installing the ZER Flushometer, install the items listed below:

- Closet or urinal fixture
- Drain line
- Water supply line

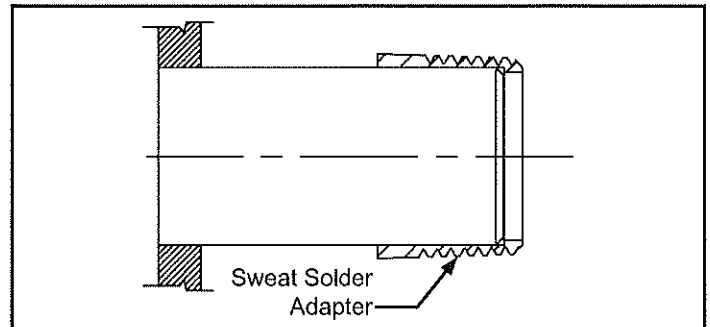
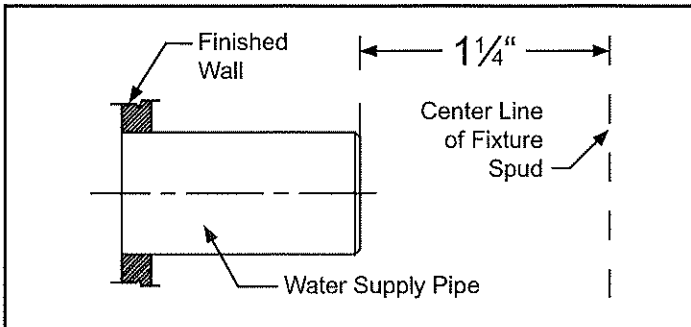
### IMPORTANT:

- ALL PLUMBING IS TO BE INSTALLED IN ACCORDANCE WITH APPLICABLE CODES AND REGULATIONS.
- WATER SUPPLY LINES MUST BE SIZED TO PROVIDE AN ADEQUATE VOLUME OF WATER FOR EACH FIXTURE.
- FLUSH ALL WATER LINES PRIOR TO OPERATION (See Step 9).
- DIRT AND DEBRIS CAN CAUSE FLUSH VALVE TO RUN CONTINUOUSLY.

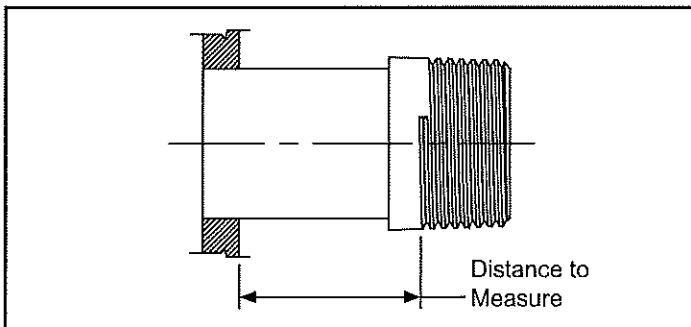
## Sweat Solder Adapter Installation Instructions

**NOTE:** Before installation, turn off water supplies to existing fixture and remove flushometer if replacing an existing device.

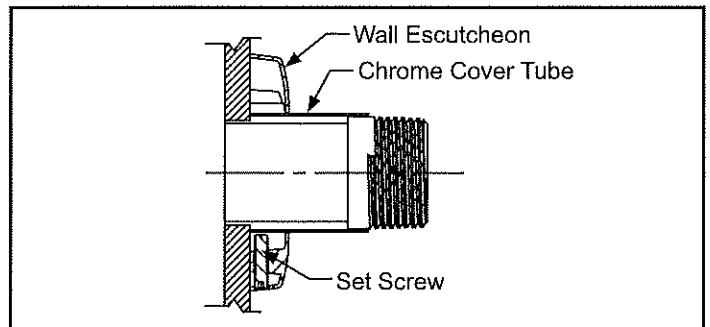
1. Measure distance from finished wall to the center line of the fixture spud. If necessary, cut water supply pipe 1-1/4" shorter than this measurement. Deburr by chamfering O.D. and I.D of end of water supply pipe.
2. Slide threaded sweat solder adapter onto water supply pipe until shoulder stops on end of pipe. Then sweat-solder the adapter to water supply pipe.



3. Measure distance from finished wall to first thread of sweat solder adapter. If necessary, cut chrome cover tube this length.



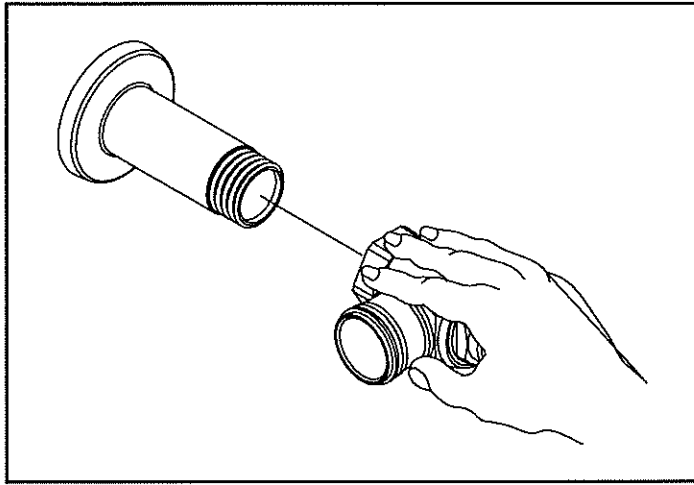
4. Slide wall escutcheon over chrome cover tube and slide both items over water supply pipe. Press wall escutcheon flush against finished wall and tighten set screw with hex wrench (supplied) to secure it in place.



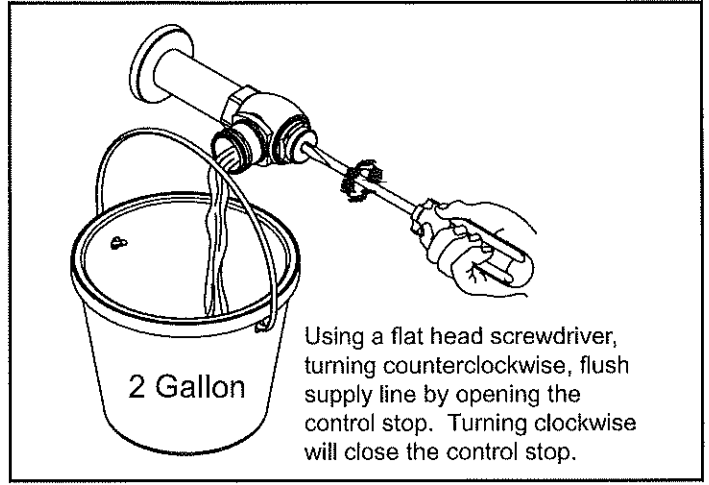
## Control Stop Installation Instructions

1. Install control stop assembly by threading it onto water supply pipe and tightening with a smooth jawed wrench. Apply thread sealing compound or pipe tape to male NPT thread on sweat solder adapter only.

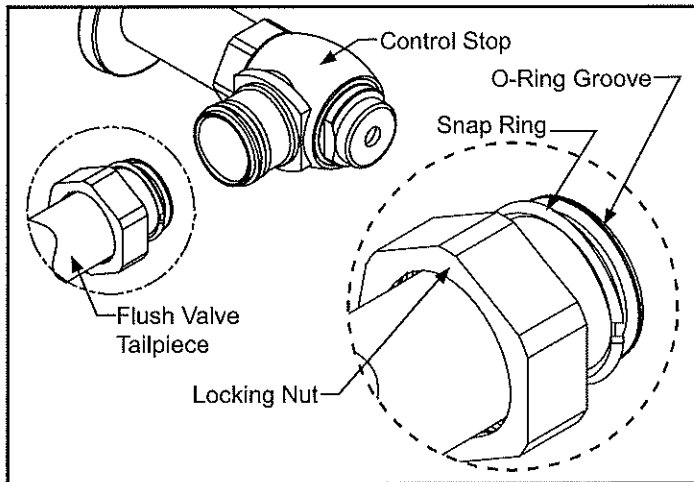
Prior to turning on main water supply line ensure all stop valves are closed off tight by using a flathead screwdriver and turning the stop valve adjustment screw clockwise.



2. When all stop valves are properly connected to the water supply line and water pressure is available, open the control stop using a flat head screwdriver and turning the stop valve adjustment screw counterclockwise. Allow the water supply line to flush any debris or sediment that may be present in the line. Close the control stop once the lines are completely flushed.



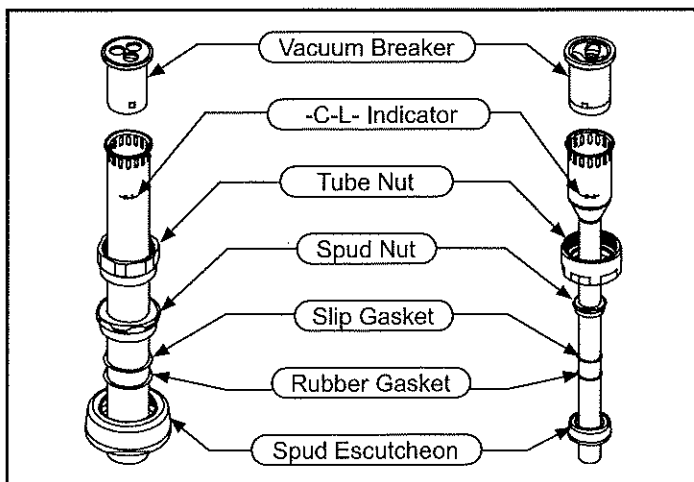
## Flush Valve Installation Instructions



Prior to attaching flush valve tailpiece to control stop, inspect and verify that the O-ring seal is located within the O-ring groove at the tailpiece. Ensure that the locking nut and locking snap ring are also present on the tailpiece.

Lubricate O-ring with water if necessary and insert flush valve tailpiece into the control stop valve. Tighten locking nut using a smooth jawed wrench.

## Vacuum Breaker & Flush Connection Installation Instructions



Determine the length of vacuum breaker tube required to join the flush valve and fixture spud, and cut if necessary.

Slide the tube nut, spud nut, slip gasket, rubber gasket and spud escutcheon over the vacuum breaker tube and insert tube into fixture spud. Hand tighten tube nut to valve body and hand tighten spud nut onto fixture spud. Adjust the valve assembly for plumb. Tighten fixture spud nut, vacuum breaker tube nut and locking nut with a wrench.

Adjust and plumb the valve assembly. Tighten all connections with smooth jawed wrench and turn on water supply at the control stop.

**⚠ DO NOT** cut vacuum breaker tube shorter than 6" below the -C-L- indicator mark, as vacuum breaker must be 6" above the fixture. Consult plumbing Codes & Regulations for specific details.

## Flush Valve Activation

Using supplied battery compartment wrench, remove battery compartment from the E-Z Flush™ unit.

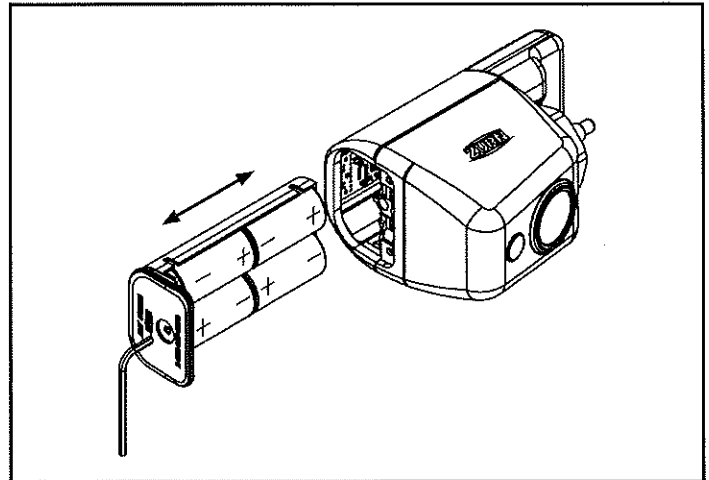
Load batteries into compartment tray (note position of batteries in tray), and reinstall battery tray into the E-Z Flush unit.

Secure tray with battery compartment wrench. The last three turns of the wrench will activate the E-Z Flush unit. The E-Z Flush System is now operational.

Your E-Z Flush unit comes preset from the factory. If special circumstances require adjustment of the activation distance, see Appendix A – Adjusting Your E-Z Flush.

The E-Z Flush unit has a 10-minute start-up sequence in which the Object Lock Sensor will flash the User-In-View **yellow L.E.D.**

continuously as long as a user is in view. After the start-up sequence is completed and when the Object Lock Sensor has a user in view, the User-In-View **yellow L.E.D.** will flash only 3 times after a 5-second delay. This delay prevents needless flushes when someone walks by. Sensor units should not be located across from each other or in close proximity to highly reflective surfaces.



## Visual Indicator Guide

### 1. USER-IN-VIEW L.E.D.

Yellow light flashes 3 times – after 5-second delay – when a user is in view. The yellow light flashes constantly when a user is in view during the 10-minute start-up sequence.

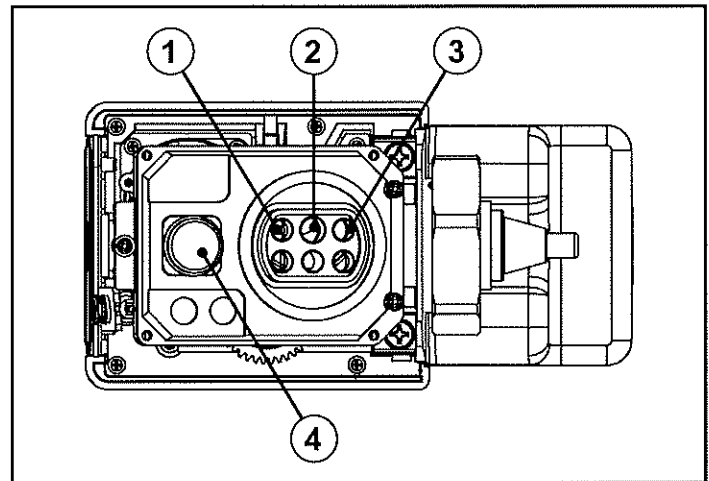
### 2. OBJECT LOCK SENSOR

### 3. BATTERY L.E.D.

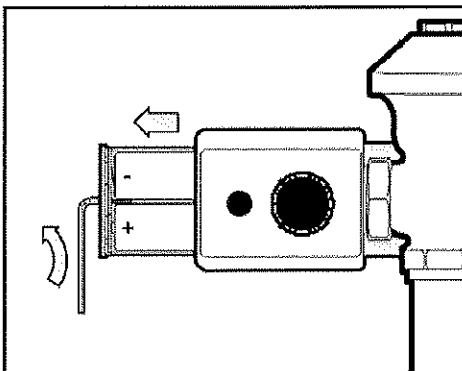
Red light flashes indicating it is time to replace batteries with 4 new "C" batteries.

### 4. COURTESY MANUAL FLUSH BUTTON

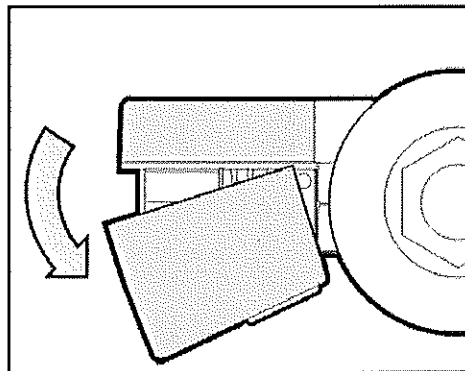
Allows manual activation of flush when needed.



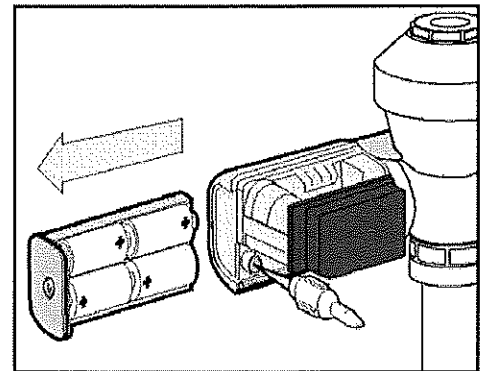
## Adjusting Your E-Z Flush



**STEP A** Use battery compartment wrench to remove battery compartment tray.



**STEP B** Pull cover off by rotating battery side forward and out.

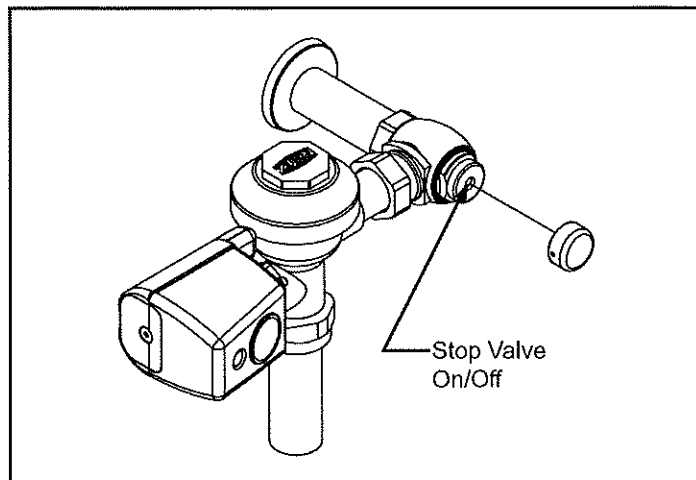


**STEP C** Sensor Adjustor Tool comes in a built-in storage pocket. Replace after use.

## Adjusting Your E-Z Flush - Cont.

Before the supply water is turned on, be sure all stop valves to the flush valves are closed off tight. The stop valves can be opened and closed by using the adjusting screw located at the center of the stop valve cap, behind the stop valve cover if already installed. Stop valve adjustments can only be made by using the adjusting screw.

**It is not necessary to remove the stop valve cap when making adjustments. If for any reason it becomes necessary to remove the stop valve cap, be certain the water is shut off at the main supply valve.**



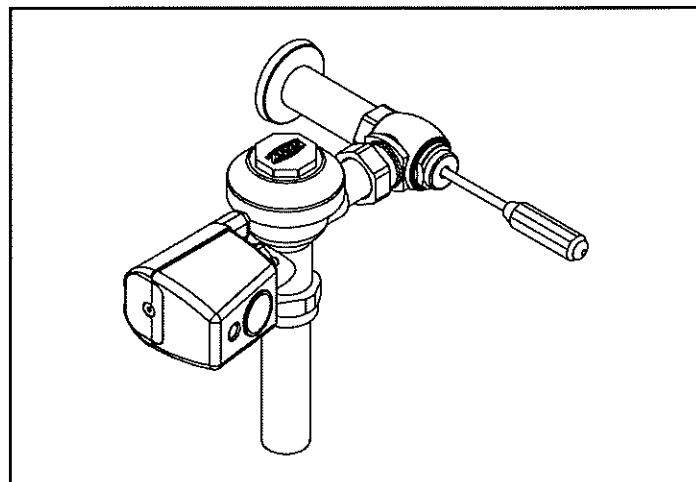
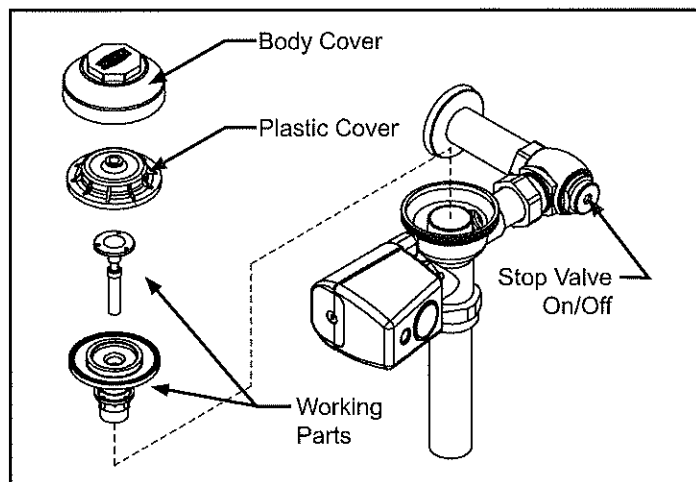
When all flush valves are connected to the fixtures and water pressure is available, it is recommended that the supply piping be flushed to remove dirt, pipe chips, etc., from system.

Use the following procedure to flush out the supply piping:

1. Remove the main valve body cover.
2. Remove the working parts from the flush valve shown on the right
3. Replace the plastic cover and main body cover without reinstalling the working parts.
4. Open the stop valve by using the stop adjusting screw and flush out all debris from pipe and connections.
5. Shut stop, open cover, reinstall the working parts, replace both covers and tighten.

This procedure should also be repeated when the system is drained for seasonal use, as occurs in athletic fields, recreation parks, etc.

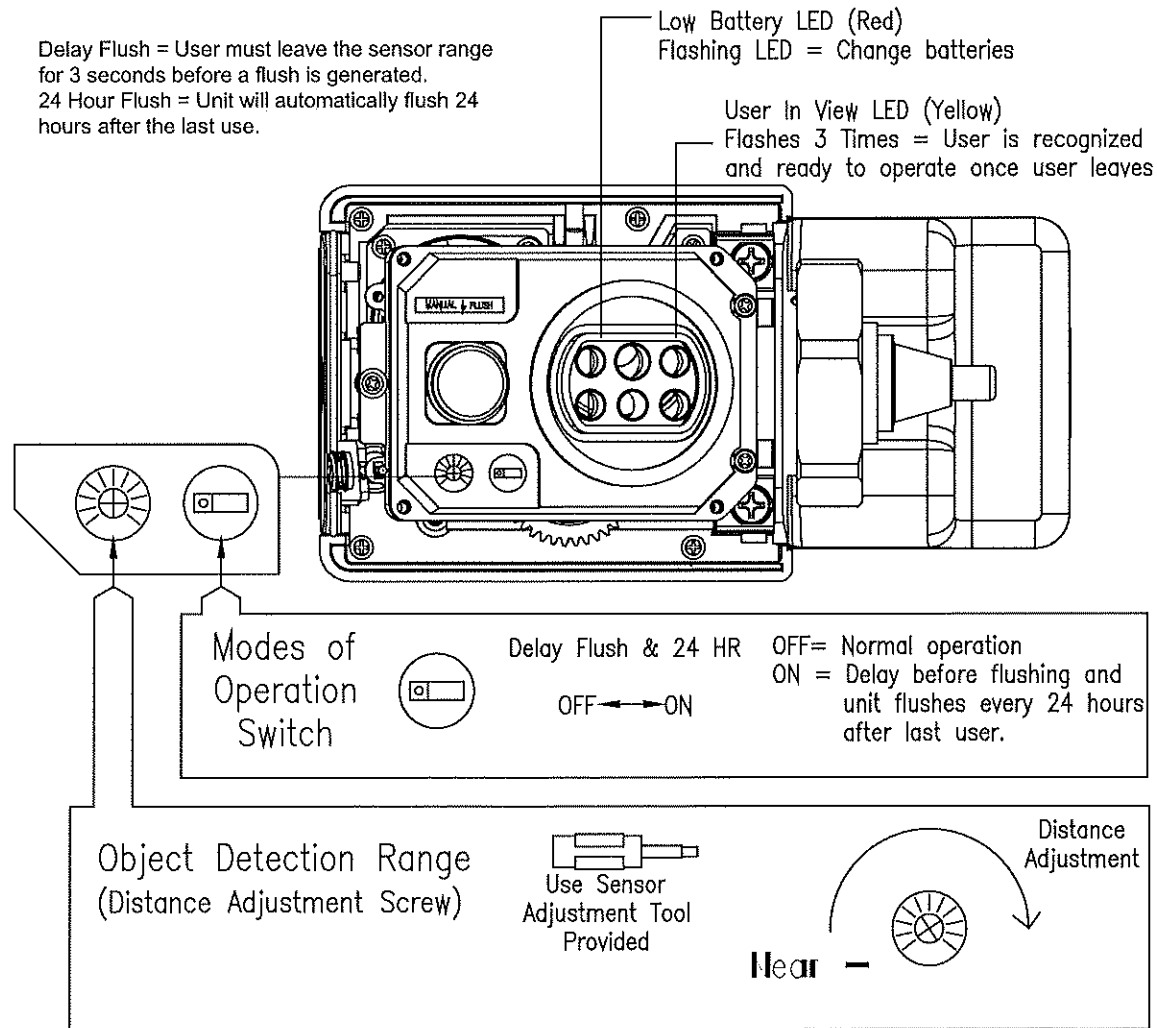
The ZER flush valves are preset for fixture volume as marked on the valve cartons. The valve does not require regulation for variation in water pressure within its operating range. To set the flush valve for proper operation, gradually adjust the stop valve open, using the adjusting screw, while actuating the valve until the rate of water flow into the fixture is not excessive, yet is sufficient to adequately evacuate the waste. The final setting for urinals should be such that the fixture will not overflow when the valve is actuated in succession. The stop cap screw cover should be replaced after final adjustments have been made.



# Customized Sensor Range Setting

1. Remove battery compartment tray as shown in Step 6.
2. Remove cover and sensor adjustor tool as shown in Step 6.
3. Replace battery compartment in E-Z Flush to activate unit.
4. Press sensor range reset button (the yellow L.E.D. will flash continuously when it has an object in view for the 10-minute reset period).
5. Stand at desired activation distance.
6. Use sensor adjustor tool and turn **Distance Adjustment Screw** all the way down and then turn slowly up until **yellow L.E.D.** begins to flash.
7. Ensure Object Lock Sensor is not detecting stall door or wall by closing door, stepping out of sensor path and making sure **yellow L.E.D.** is not flashing. If sensor locks onto door or wall, unit will not flush properly. Shorten activation distance.
8. Remove battery compartment, replace sensor adjustor tool and cover. Replace battery compartment tray to reactivate E-Z Flush unit.
9. After 10-minute start-up sequence, the **yellow L.E.D.** will flash only 3 times when a user is in view (after a 5-second delay).

## Wiring Diagram





# Gateway Instruction

---

## Step 1. Request Gateway:

You can request your Ethernet or LTE gateway by visiting [Zurn.com/plumbsmart-gateway-request](http://Zurn.com/plumbsmart-gateway-request) or call Zurn Customer Care at 1-844-987-6737

## Step 2. Cabling, Powering and Connecting Your Device:

1. Connect one end of the RJ45 Ethernet cable (supplied) to the gateway's Ethernet port and plug the cable's other end into the nearest wall port of the building's Ethernet network.
2. Connect the power supply to the power jack.
3. Wait for status LED to go from ON to double flash every second, the LoRa LED to turn ON solid, and the cell LED (if LTE enabled) to flash once every 3 seconds. Should take around 1-2 minutes depending on location. Your gateway is now ready to transmit data from your Zurn connected product.
4. Zurn Gateways have been set to DHCP by default. Please consult local IT support for possible additional access requirements for your network.

## Register in plumbSMART

---

NOTE: Instructions below are duplicated from registration card supplied with monitor

1. Install Zurn Connected Product(s)
2. Install Zurn Gateway per the Gateway Instructions Manual
3. Request plumbSMART Administrator Account at 844-987-6737
4. Zurn creates your Enterprise Account for you! (You will be required to identify your building location, number of floors, and number of rooms.)
5. Log in to [plumbsmart.zurn.com](http://plumbsmart.zurn.com)
6. Register each Connected Product in plumbSMART (Watch How-To Videos to Get Started. Located in the support section inside the portal.)
7. Now, Relax. You're Connected.

## Step 3. Determining general Location for the Zurn Gateway:

- Select a location central to all devices to be connected to this gateway. Place the gateway as high as possible, such as near the top of a wall.
- Avoid obstructions. Thick walls and reflective surfaces, such as metal, weaken the signal between the gateway and other devices.
- The LoRa antenna is an omni-directional antenna, but for best results, mount the device so the LoRa antenna is in a vertical position near the top of a wall. We recommend conducting a site survey to test the signal strength in different locations before you mount the device.

## Step 4. Mounting the Zurn Gateway:

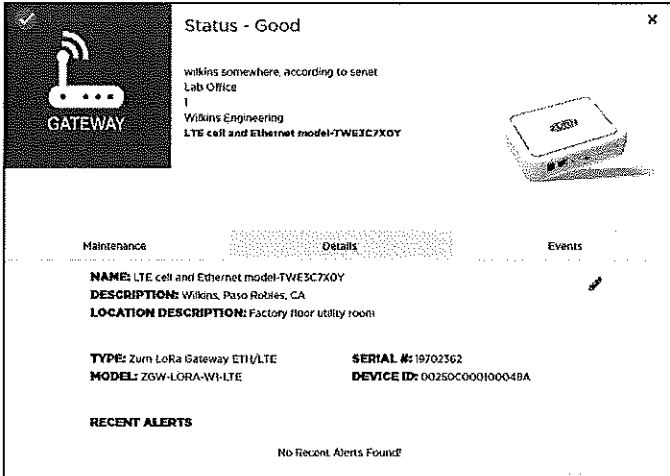
The device ships with a mounting bracket. You will also need:

- Four #6 screws with anchors
  - Screwdriver
  - Drill
1. Determine where you want to mount the device.
  2. Mark where you want the screws to go.
  3. Drill holes for the screws and insert anchors.
  4. Place the mounting bracket and secure it with screws.
  5. Attach the device to the bracket and rotate to lock into place.

# Flush Valve Trouble Shooting Guide

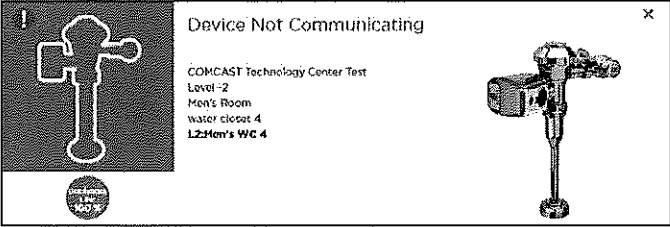
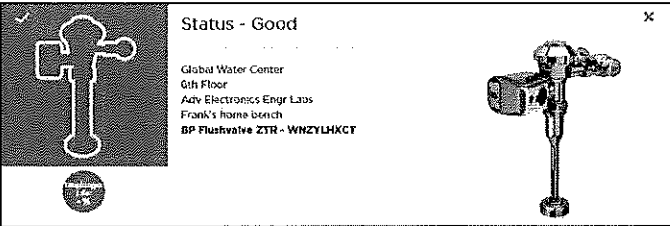
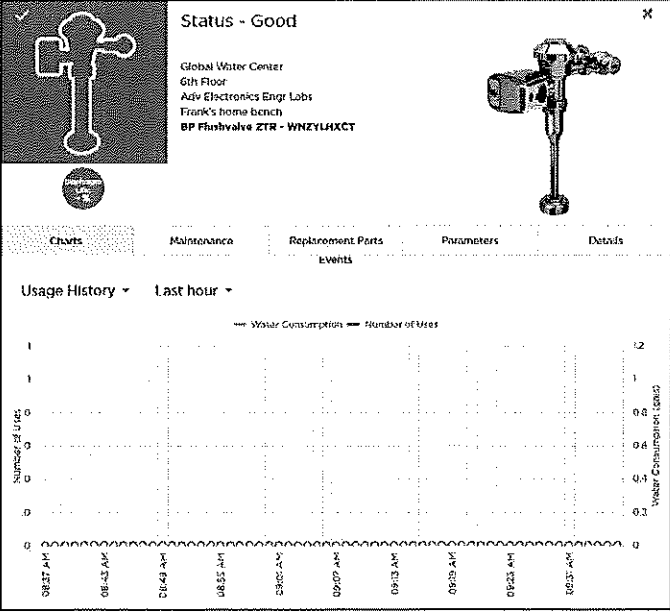
PROBLEM	CAUSE	SOLUTION
Yellow L.E.D. light flashes 3 times when there are no users.	Front of Object Lock Sensor is covered or Object Lock Sensor is set too far out, registering the opposite wall or door as a user.	Remove item covering sensor or adjust Object Lock Sensor activation distance. (See Appendix B – Adjusting the E-Z Flush.)
Yellow L.E.D. light flashes continuously when Object Lock Sensor is activated by a user.	E-Z Flush unit is in 10-minute start-up mode (when first activated), or Sensor Range Reset Button has been depressed.	Yellow L.E.D. light will flash only 3 times, acknowledging a user is in view after the 10-minute start-up mode.
Red L.E.D. light flashes.	Batteries need replacing.	Replace batteries.
Not enough water to fixture or too much water to fixture.	Diaphragm damaged or valve control stop improperly adjusted.	Replace diaphragm and/or adjust valve control stop.
Valve will not operate.	Object Lock Sensor range set too close to E-Z Flush, batteries are dead, or water supply is turned off.	Adjust Object Lock Sensor, replace batteries, or turn water on. If the E-Z Flush does not begin to function, call Customer Service at 1-800-997-3876.
Valve does not shut off.	Dirt or debris preventing diaphragm from functioning properly.	Remove dirt or debris, check by-pass hole in diaphragm.
Valve does not flush even after Object Lock Sensor has been adjusted.	Batteries are dead.	Replace batteries. If the E-Z Flush does not begin to function, call Customer Service at 1-800-997-3876.

## Trouble Shooting: Gateway

Problem	Corrective Action
<p>“Status – Good” posted in plumbSMART and faucet actuation event data not appearing in plumbSMART (&lt; 2 hours) or “Device Not Communicating” warning or severe alert posted in plumbSMART for all devices (&gt; 3 hours)</p> 	<p><b>Step 1</b> Verify gateway Status LED flashes twice every 2 seconds. If LED is OFF or ON solid, power cycle the gateway and wait for no more than 5 minutes for unit to initialize and connect.</p> <p><b>Step 2</b> After initialization is finished, LORA LED should turn ON solid within an additional minute.</p> <p><b>Step 3</b> If LORA LED does not turn ON solid and ethernet cable connected, contact facility IT administrator to modify port rules to allow Zurn gateway to access the internet via local router.</p> <p>If gateway model is ETH/LTE, visually verify SIM card is installed in designated slot on the side of gateway. If unit has a SIM card, then disconnect ethernet cable and power cycle the gateway and wait for unit to initialize and connect. LORA LED should turn ON solid after initialization.</p> <p><b>Step 4</b> If problem still present, move gateway closer to LoRa monitors and/or verify gateway mounting, orientation and connections comply with requirements listed in Zurn Gateway Installation Guide.</p> <p>Contact Zurn Customer Service at 1.855.ONE.ZURN (1.855.663.9876) for assistance with additional troubleshooting steps.</p>

For further assistance with troubleshooting, visit <https://plumbsmart.zurn.com/app/training>

# Trouble Shooting: LoRa Monitor

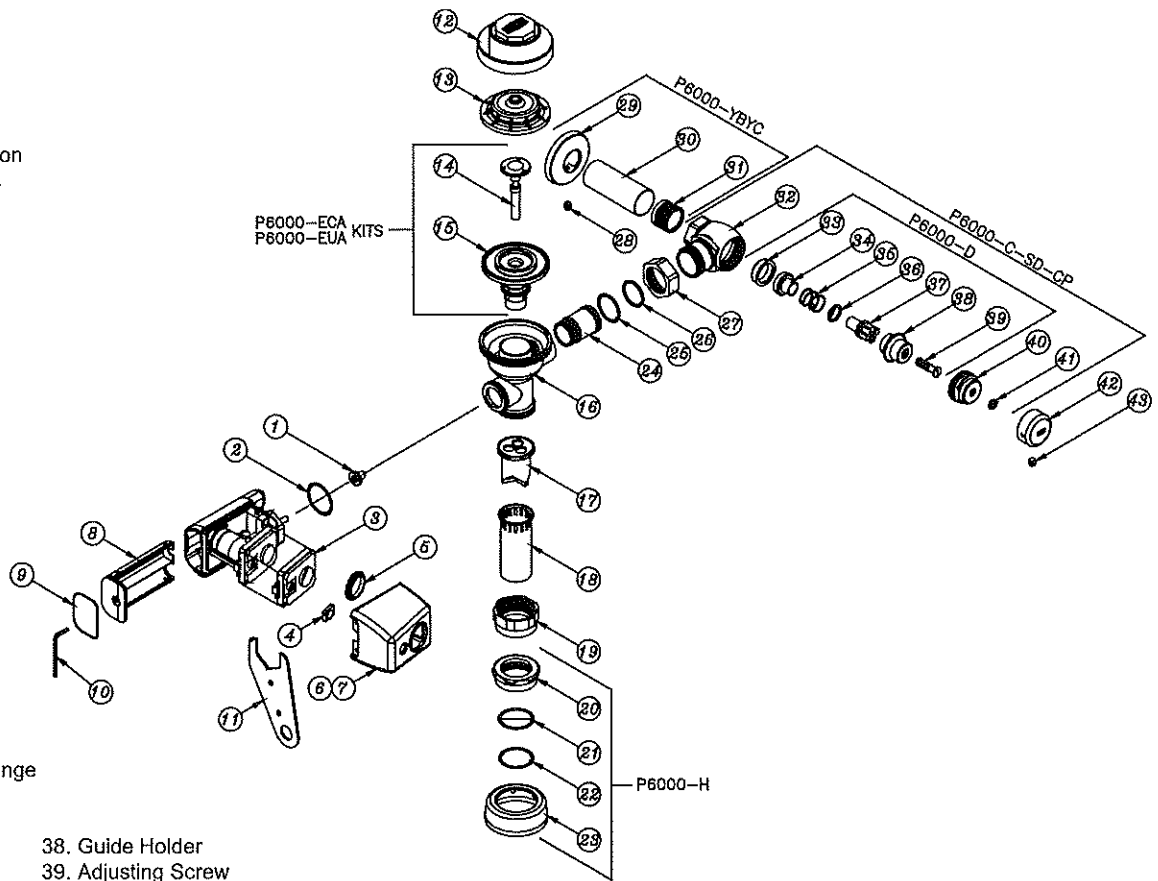
Problem	Corrective Action
<p><b>“Device Not Communicating” posted in plumbSMART</b></p> 	<p><b>Step 1</b> Verify batteries installed in LoRa Monitor electronics and have sufficient charge. Install new batteries, as needed. Alert on product's page in plumbSMART should clear within 1 hour or on next faucet activation. (Refresh web page by clicking on reload icon in the browser to clear the alert.)</p> <p><b>Step 2</b> If problem still present, verify gateway is within range of LoRa Monitor and functioning (see Gateway Troubleshooting section)</p> <p><b>Step 3</b> If problem still present, verify plumbSMART subscription status on product page's Details tab listed as “Activated”</p> <p><b>NETWORK:</b> Senet <b>SUBSCRIPTION STATUS:</b> <i>Activated</i> <b>LAST HEARD FROM:</b> 07/14/2020, 04:29 PM CDT</p> <p>If listed as “Deactivated”, contact Zurn Custom Service at 1.855.ONE.ZURN (1.855.663.9876) for assistance.</p>
<p><b>“Status – Good” posted in plumbSMART and faucet not actuating</b></p> 	<p><b>Step 1</b> Verify LoRa Monitor's cables are connected to IR sensor and Faucet actuator electronics. Restore proper electrical connection, as needed.</p> <p><b>Step 2</b> Test activate the faucet.</p> <p>If problem persists, see Faucet Troubleshooting section in this guide for other steps.</p>
<p><b>“Status – Good” posted in plumbSMART and faucet actuates but usage event data not appearing in plumbSMART Charts</b></p> 	<p><b>Step 1</b> Verify gateway is powered and LoRa Status LED is ON. If not, apply power per Zurn Gateway Installation Guide or see Gateway Troubleshooting section in this guide of other steps.</p> <p><b>Step 2</b> If problem still present, verify plumbSMART subscription status on product page's Details tab listed as “Activated”</p> <p><b>NETWORK:</b> Senet <b>SUBSCRIPTION STATUS:</b> <i>Activated</i> <b>LAST HEARD FROM:</b> 07/14/2020, 04:29 PM CDT</p> <p>If listed as “Deactivated”, contact Zurn Customer Service at 1.855.ONE.ZURN (1.855.663.9876) for assistance.</p> <p><b>Step 3</b> If problem still present, the LoRa Monitor electronics may be faulty. Contact Zurn Customer Service at 1.855.ONE.ZURN (1.855.663.9876) for assistance with additional troubleshooting steps and, if needed, unit replacement.</p>

For further assistance with troubleshooting, visit <https://plumbsmart.zurn.com/app/training>

# Connected ZER6000 Series Parts Breakdown

## Part Identification

1. Seal
2. Collar Gasket
3. Sensor Module
4. Manual Override Push Button
5. Replacement Sensor Lens
6. Chrome Plastic Cover
7. Chrome Metal Cover
8. Battery Drawer
9. O-Ring
10. Allen Wrench
11. Handle Nut Wrench
12. Valve Body Cover
13. Plastic Cover
14. Trip Mechanism
15. Diaphragm Repair Kit
16. Valve Body
17. Vacuum Breaker Duckbill
18. Vacuum Breaker Tube
19. Vacuum Breaker Tube Nut
20. Spud Nut
21. Spud Friction Washer
22. Spud Sleeve
23. Spud Escutcheon
24. Tailpiece
25. Snap Ring
26. Tailpiece O-Ring
27. Locking Nut
28. Setscrew for Cast Wall Flange
29. Cast Wall Escutcheon
30. Supply Cover Tube
31. Sweat Solder Adapter
32. Stop Body
33. Piston Seal
34. Piston
35. Stop Spring
36. Guide O-Ring
37. Piston Guide
38. Guide Holder
39. Adjusting Screw
40. Stop Cap
41. Snap Cap Screw Cover
42. Vandal - Resistant Control Stop Cover
43. Setscrew for Control Stop Cover



Covers and Repair Kits	Product No.
Outside Cover - CP - Item 10	P6000-LL-CP
Inside Cover - Item 11	P6000-L
Low Consumption Closet Kit - 1.28 gal. flush	P6000-ECA-HET
Low Consumption Closet Kit - 1.6 gal. flush	P6000-ECA-WS1
Water Saving Closet Kit - 3.5 gal. flush	P6000-ECA-WS
Full Flow Closet Kit - 4.5 gal. flush	P6000-ECA-FF
Ultra Low Flush Urinal Kit - 0.125 gal. flush	P6000-EUA-ULF
Extra Water Saver Urinal Kit - 0.5 gal. flush	P6000-EUA-EWS
Low Consumption Urinal Kit - 1.0 gal. flush	P6000-EUA-WS1
Water Saving Urinal Kit - 1.5 gal flush	P6000-EUA-WS
Full Flush Urinal Kit - 3.0 gal. flush	P6000-EUA-FF

Repair Parts - Inside Parts	Product No.
Urinal Relief Valve - Item 12	P6000-EU13
Closet Relief Valve - Item 12	P6000-EC13

Flush Connections and Spud Coupling Kits	Product No.
Flush Tube Assembly for Flush Valves Includes Items 15-19, Specify Diameter and Length	P6000-A
Vacuum Breaker Repair Kit, Item 17	P6000-B
Spud Coupling Assembly Includes Items 20-23 Specify Size.	P6000-H

Control Stop Repair Kit and Parts	Product No.
Control Stop Repair Kit for 1" and 3/4", Includes Items 33-39	P6000-D-SD
Seal Seat for 1" and 3/4", Includes Item 33	P6000-D42
VP Control Stop Repair Kit for 1" and 3/4", Includes Items 33-39	P6000-D-VP
Sweat Solder Connection with Cast Wall Flange, Includes Items 29-31	P6000-YBYC

Adjustable Tailpieces	Product No.
Adjustable Tailpiece for Standard Flush Valve Includes Items 24-26	P6000-J1
Tailpiece Coupling Assembly Includes Items 25-27	P6000-K
Tailpiece Locking Ring Includes Item 25	P6000-C30
Tailpiece O-Ring Includes Items 26	P6000-C31
Coupling Nut Includes Item 27	P6000-C32

Handle Assembly and Repair Kits	Product No.
Chrome Plastic Cover, Item 6	PERK6000-L-CPCR
Chrome Metal Cover, Item 7	PERK6000-L-CPMCR
Replacement Sensor Lens Item 5	PERK6000-SCR
Battery Drawer, Item 8	PERK6000-BD
Repair Kit Includes Items 1, 2, 4, and 9	PERK6000-RK
Repair Kit Includes Items 1, 2, Retainer and Cup Seal	PERK6000-MRK
Sensor Module	PERK6000-SR

Rev. B | Date: 11/11/22 | C.N. No. 144844 | Prod./Dwg. No. FV746

Patent [zurn.com/patents](http://zurn.com/patents)

US 1.855.0NE.ZURN CANADA 1.877.892.5216

ZURN.COM

by **ZURN ELKAY** Water Solutions