



1300 East 6<sup>th</sup> Street | Little Rock, AR 72202  
 Phone: 501.372.2900  
 Fax: 501.372.0482

## Submittal Review Form

**Job Title:** Adranos-McHenry\_MS

**Job No:** 2023-047

**Submittal No:** 22 15 00.1

**By:** Ryan Van Doorn

**Date:** 01-24-2024

Reviewing is only for conformance with the design concepts of the Project and compliance with the information given in the contract documents. The Contractor is responsible for dimensions to confirmed or correlated at the site; for information that pertains solely to the fabrication process, or the means, methods, techniques, sequences, and procedures of construction; and for the coordination of the work of all other trades.

Item No.	Description	No Exception Taken	Make Corrections Noted	Revise and Resubmit	Not Accepted	Comments
1	B600, AC-1 Ingersoll Rand Dryer #D60IT	X				Approved in 22 15 19 Air Compressors
2	B600, AC-1, Ingersoll Rand, Pre-filter #FA75IG	X				Approved in 22 15 19 Air Compressors
3	B600, AC-1, Ingersoll Rand, Pre-filter #FA75IH	X				Approved in 22 15 19 Air Compressors
4	B600, AC-1, Ingersoll Rand, PacE	X				Approved in 22 15 19 Air Compressors
5	B600, AC-1, Ingersoll Rand, oil water separator #PSG-7	X				Approved in 22 15 19 Air Compressors
6	B400, AC-1 Ingersoll Rand Dryer #D102IT	X				Approved in 22 15 19 Air Compressors
7	B400, AC-1, Ingersoll Rand Pre-filter #FA110IG	X				Approved in 22 15 19 Air Compressors
8	B400, AC-1, Ingersoll Rand	X				Approved

	Pre-filter #FA110IH				
9	B400, AC-1, Ingersoll Rand, PacE	X			Approved in 22 15 19 Air Compressors
10	B400, AC-1 Ingersoll Rand oil water separator #PSG-15	X			Approved in 22 15 19 Air Compressors
11	HR, Hose Reel	X			Approved
12	Point of use Filter, Regulator, Lubricator		X		Not clear which exact make/model is being specified for this project. However FRL C38341-611 was approved in 22 15 19

*Quality People. Building Solutions.*

Comfort Systems USA (Arkansas), Inc.  
P.O. Box 16620  
Little Rock, AR 72231  
Phone 501-834-3320  
Fax 501-834-5416

**Date:** 1/22/2024

**Return Request:** 1/27/2024

**Project:** Anduril Industries – Bldgs. 301, 400, 600

**Supplier:** Ivey Mechanical

**Manufacturer:** Various

**Submittal:** Compressed Air Systems

**Submittal Number:** 22 15 00-01

**Drawing # and Installation:** Plumbing Drawings

**ARCHITECT**

William Thomas Moore, AIA  
1300 E. 6<sup>th</sup> Street  
Little Rock, AR 72202  
501-372-2900

**GENERAL CONTRACTOR**

**ENGINEER**

Cromwell  
1300 E. 6<sup>th</sup> Street  
Little Rock, AR 72202  
501-372-2900

**MECHANICAL SUBCONTRACTOR**

Comfort Systems USA (Arkansas), Inc.  
9924 Landers Rd.  
N. Little Rock, AR 72117  
501-834-3320

Notes:

\*Revised submittal

[tad@comfortar.com](mailto:tad@comfortar.com)

9924 Landers Rd.  
No. Little Rock, AR 72117



## **Division 22**

**Ivey Submission #13 Revised**

**Buildings 301,400, and 600**

### **Specification Section 22 15 00 – General-Service Compressed-Air Systems**

**Drawing: B400-P-601, B600-P-102**

- Wall Mounted Hose Reel
  - Combination Filter-Regulator-Lubricator

Submitted Date: 1/19/2024

**Owner:**

Anduril Industries

488 East McHenry Rd.

McHenry, MS 39561

**Mechanical Engineer:**

Cromwell Architects Engineers, Inc.

1300 East 6<sup>th</sup> Street

Little Rock, AR 72202

Ivey Mechanical Company  
514 North Wells Street  
P.O. Box 610  
Kosciusko, MS  
662.289.3646  
Fax: 662.289.3713

Technical Specs

- ItemSpring Return Hose Reel
- Hose Reel Primary ApplicationAir, Water
- Maximum Operating Pressure300 psi
- Hose Capacity50 ft (1/2 in ID)
- Drive TypeSpring Return
- EnclosedNo
- Includes HoseYes
- Hose Inside Dia.1/2 in
- Hose Length50 ft
- Reel MaterialSteel
- Mounting LocationBench, Ceiling, Wall
- Speed Limited RetractionNo
- Overall Height22 in
- Overall Length20 in
- Overall Width9 in
- Corrosion-ResistantYes
- Hose ColorRed
- Hose Cover MaterialRubber
- Hose Fitting A GenderMale
- Hose Fitting A MaterialBrass
- Hose Fitting A Size1/2 in
- Hose Fitting A TypeNPT
- Hose Fitting B GenderMale
- Hose Fitting B MaterialBrass
- Hose Fitting B Size1/2 in
- Hose Fitting B TypeNPT
- Hose Outside Dia.3/4 in
- Hose Reel TypeWall Mount Hose Reel
- Hose Tube MaterialRubber
- Base Motion TypeSwivel
- Pedestal TypeSingle Pedestal
- Number of Guide ArmsSingle Arm
- Reel ColorRed
- Twin Hose CompatibleNo
- Swivel MaterialBrass
- Swivel Inlet TypeNPTF
- Swivel Outlet GenderFemale
- Swivel Outlet Size1/2 in
- Swivel Outlet Thread Size1/2 in - 14
- Swivel Outlet TypeNPTF
- Swivel Inlet GenderFemale
- Swivel Inlet Size1/2 in
- Swivel Inlet Thread Size1/2 in - 14
- Reel Width8 1/8 in
- Reel FinishPowder Coated
- Weight38.93 lb
- Latch TypeLocking
- Bearing ConstructionPermanently Lubricated
- Maximum Operating Temperature150 Degrees F
- Fasteners IncludedNo
- FeaturesHeavy Gauge Steel And Heavy Duty Rubber Air Hose
- Spiral Hose GuardNo
- Includes Hose StopYes
- Includes Leader HoseNo
- Leader Hose Cover MaterialPVC
- Mount Base Height20 33/64 in
- Mount Base Width8 1/8 in
- Mounting Hole Center to Center Width2 63/64 in
- Mounting Hole Center to Center Height4 23/32 in
- Mount Hole Diameter1/2 in
- Reel Diameter18 9/16 in
- Fitting TypeNPT x NPT
- IncludesHose, Hose Stop
- Fitting GenderMale x Male
- Fitting Size1/2 in x 1/2 in
- Hose End Configuration1/2 in MNPT
- Overall Dimensions20 in L x 9 in W x 22 in H



**Environmental & Medical Gas Services Inc.**  
**103 Hunter Industrial Dr.**  
**Villa Rica, GA 30180**  
**(770) 459-5920**  
**[www.emgsi.com](http://www.emgsi.com)**

## Product Description

### Intended Use:

The air line Filters, Regulators, Lubricators, Filter/Regulators and Combination Units are intended for use in industrial compressed air systems only. No other use is recommended.

For additional information refer to Air Line Filters, Regulators, Lubricators, Filter/Regulators and Combination Units Product Safety Information Manual 15301765.

Manuals can be downloaded from [fluids.ingersollrand.com](http://fluids.ingersollrand.com).

### Filters

ARO compressed air filters are designed to remove airborne solid and liquid contaminants which may plug small orifices and hinder performance, or cause excessive wear and premature equipment failure. Several filter elements are offered, including models with coalescing elements for removal of oil aerosols and particles down to 0.3 micron.

### Regulators

ARO air line regulators provide controlled, consistent air pressure as required for specific pneumatic equipment connected to the air system. Standard relieving-type regulators are offered in a variety of adjustable pressure ranges, with convenient spring options for easy conversion should requirements change. Non-relieving models are also offered for applications where the venting of downstream overpressure is undesirable.

### Lubricators

ARO fog-type lubricators help ensure that pneumatic devices receive the required lubrication to maintain operating performance, reduce wear and prolong service life. They are designed to provide the correct amount of oil required for most general applications in a pneumatic system, delivering a constant ratio of oil to CFM. Precise oil feed adjustment allows the proper oil delivery rate. Lubricators should be installed close to the downstream application to ensure effective distribution of oil to the pneumatic components.

### Filter/Regulators

ARO compressed air filter/regulators are designed to remove airborne solid and liquid contaminants which may plug small orifices and hinder performance, or cause excessive wear and premature equipment failure. Several filter elements are offered, including models with coalescing elements for removal of oil aerosols and particles down to 0.3 micron. In addition to filtration the regulators portion provides controlled, consistent air pressure as required for specific pneumatic equipment connected to the air system. Standard relieving-type regulators are offered in a variety of adjustable pressure ranges, with convenient spring options for easy conversion should requirements change. Non-relieving models are also offered for applications where the venting of downstream overpressure is undesirable.

### Combination Units

ARO combination units are an assembled version of a filter, regulator and lubricator or a filter/regulator and lubricator. See Product Descriptions above for individual descriptions of components.

## Product Specifications

### Flows (scfm) [dm<sup>3</sup>/s]

Series	Size	Filter (& Coalescing)	Regulator	Lubricator	Piggyback
1000	1/8"	35 (38) [17 (18)]	45 [21]	32 [15]	43 [20]
1000	1/4"	48 (45) [23 (21)]	59 [28]	57 [27]	46 [22]
1500	1/4"	72 (70) [34 (33)]	86 [41]	51 [24]	71 [34]
1500	3/8"	106 (91) [50 (43)]	84 [40]	105 [50]	89 [42]
2000	3/8"	150 (155) [71 (73)]	179 [84]	85 [40]	132 [62]
2000	1/2"	194 (181) [92 (85)]	215 [101]	156 [74]	165 [78]
2000	3/4"	213 (185) [101 (87)]	210 [99]	222 [105]	173 [82]
3000	3/4"	279 (285) [132 (135)]	293 [138]	368 [174]	236 [111]
3000	1"	297 (330) [140 (156)]	290 [137]	328 [155]	250 [118]

**Filter:** Air Flow is at 90 psig (6.2 bar) inlet and 10 psig (0.7 bar) pressure drop.

**Lubricator:** Air Flow is at 90 psig (6.2 bar) inlet and 7 psig (0.5 bar) pressure drop.

**Regulator & Piggyback:** Air Flow is at 100 psig (6.9 bar) inlet, 90 psig (6.2 bar) set pressure and 33 psig (2.3 bar) pressure drop.

### Bowl Capacity (oz) [mL]

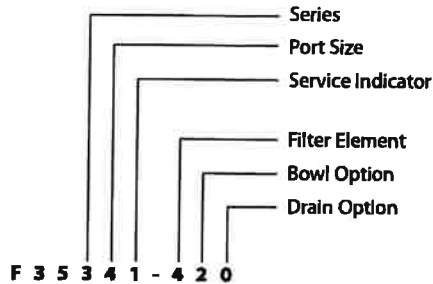
Bowl	Filter (& Coalescing) and Piggyback				Lubricator	
	Polycarbonate		Metal		Polycarbonate	Metal
Drain	Manual	Auto	Manual	Auto	n/a	n/a
1000	0.5 (0.3) [14 (9)]	0.7 (0.5) [20 (14)]	0.4 (0.3) [13 (9)]	0.7 (0.5) [21 (14)]	0.6 [17]	0.7 [21]
1500	1.2 [36]	1.0 [31]	1.2 [37]	1.0 [30]	1.9 [56]	1.5 [43]
2000	1.9 [57]	2.3 [68]	2.4 [72]	2.8 [83]	4.3 [128]	3.7 [110]
3000	n/a	n/a	5.3 (4.7) [156 (138)]	5.9 (5.2) [174 (154)]	n/a	3.7 [110]

	Polycarbonate Bowl	Metal Bowl	Regulator
Temperature Range	23°F - 125°F (-5°C - 52°C)	23°F - 175°F (-5°C - 79°C)	23°F - 140°F (-5°C - 60°C)
Maximum Pressure	150 psi (10.3 bar)	250 psi (17.2 bar)	250 psi (17.2 bar)

**Model Identification**

**Filters**

(Not all combinations available)



Series

- 1 – 1000 Series
- 2 – 1500 Series
- 3 – 2000 Series
- 4 – 3000 Series

Port Size

- 1 – 1/8" NPT    A – 1/8" BSP
- 2 – 1/4" NPT    B – 1/4" BSP
- 3 – 3/8" NPT    C – 3/8" BSP
- 4 – 1/2" NPT    D – 1/2" BSP
- 5 – 3/4" NPT    E – 3/4" BSP
- 6 – 1" NPT      F – 1" BSP

Service Indicator

- 1 – None
- 2 – Mechanical (standard w/coalescing) (available on 2000 & 3000 Series only)

Filter Element

- 3 – 0.3 micron coalescing
- 4 – 5 micron

Bowl Option

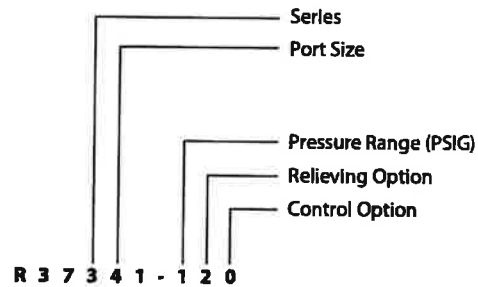
- 0 – Polycarbonate w/guard (not available on 3000 Series)
- 1 – Metal w/sight glass (not available on 1000 Series)
- 2 – Metal

Drain Option

- 0 – Manual
- 1 – Automatic

**Regulators**

(Not all combinations available)



Series

- 1 – 1000 Series
- 2 – 1500 Series
- 3 – 2000 Series
- 4 – 3000 Series

Port Size

- 1 – 1/8" NPT    A – 1/8" BSP
- 2 – 1/4" NPT    B – 1/4" BSP
- 3 – 3/8" NPT    C – 3/8" BSP
- 4 – 1/2" NPT    D – 1/2" BSP
- 5 – 3/4" NPT    E – 3/4" BSP
- 6 – 1" NPT      F – 1" BSP

Pressure Range (PSIG)

- 1 – 0 - 140 (No gauge)
- 2 – 0 - 60 (No gauge)
- 3 – 10 - 200 (No gauge) (available on 2000 & 3000 Series only)
- 4 – 0 - 30 (No gauge)
- 6 – 0 - 140 w/ flush mount gauge

Relieving Option

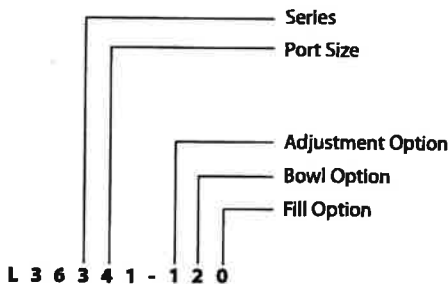
- 0 – Relieving
- 2 – Non-Relieving

Control Option

- 0 – Standard Knob

**Lubricators**

(Not all combinations available)



Series

- 1 – 1000 Series
- 2 – 1500 Series
- 3 – 2000 Series
- 4 – 3000 Series

Port Size

- 1 – 1/8" NPT    A – 1/8" BSP
- 2 – 1/4" NPT    B – 1/4" BSP
- 3 – 3/8" NPT    C – 3/8" BSP
- 4 – 1/2" NPT    D – 1/2" BSP
- 5 – 3/4" NPT    E – 3/4" BSP
- 6 – 1" NPT      F – 1" BSP

Adjustment Option

- 1 – Standard

Bowl Option

- 0 – Polycarbonate w/guard (not available on 3000 Series)
- 1 – Metal w/sight glass (not available on 1000 Series)
- 2 – Metal

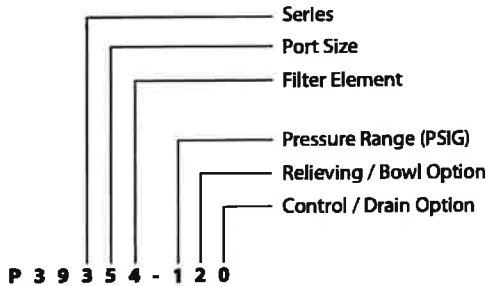
Fill Option

- 0 – Standard

**Model Identification**

**Piggybacks (Filter/Regulators)**

(Not all combinations available)



- Series**  
 1 – 1000 Series  
 2 – 1500 Series  
 3 – 2000 Series  
 4 – 3000 Series

- Port Size**  
 1 – 1/8" NPT    A – 1/8" BSP  
 2 – 1/4" NPT    B – 1/4" BSP  
 3 – 3/8" NPT    C – 3/8" BSP  
 4 – 1/2" NPT    D – 1/2" BSP  
 5 – 3/4" NPT    E – 3/4" BSP  
 6 – 1" NPT      F – 1" BSP

- Filter Element**  
 3 – 0.3 micron coalescing (available on 1500 & 2000 Series only)  
 4 – 5 micron

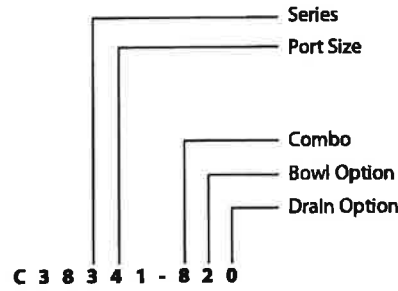
- Pressure Range (PSIG)**  
 1 – 0 - 140 (No gauge)  
 2 – 0 - 60 (No gauge)  
 3 – 10 - 175 (No gauge) (available on 2000 & 3000 Series only)  
 4 – 0 - 30 (No gauge)  
 6 – 0 - 140 w/ flush mount gauge

- Relieving / Bowl Option**  
 0 – Relieving / Poly w/guard (not available on 3000 Series)  
 1 – Relieving / Metal w/sight glass (not available on 1000 Series)  
 2 – Relieving / Metal

- Control / Drain Option**  
 0 – Standard Knob / Manual  
 4 – Standard Knob / Automatic

**Combos (Combinations)**

(Not all combinations available)



- Series**  
 1 – 1000 Series  
 2 – 1500 Series  
 3 – 2000 Series  
 4 – 3000 Series

- Port Size**  
 1 – 1/8" NPT    A – 1/8" BSP  
 2 – 1/4" NPT    B – 1/4" BSP  
 3 – 3/8" NPT    C – 3/8" BSP  
 4 – 1/2" NPT    D – 1/2" BSP  
 5 – 3/4" NPT    E – 3/4" BSP  
 6 – 1" NPT      F – 1" BSP

- Combo**  
 6 – Filter/Regulator-Lubricator  
 P39XX4-6XX & L36XX1-1X0  
 8 – Filter-Regulator-Lubricator  
 F35XX1-4XX & R37XX1-600 & L36XX1-1X0

- Bowl Option**  
 0 – Polycarbonate w/guard (not available on 3000 Series)  
 1 – Metal w/sight glass (not available on 1000 Series)  
 2 – Metal (available on 1000 Series only)

- Drain Option**  
 0 – Manual  
 1 – Automatic

**Note:** All combinations have 5 micron element, 0-140 psig w/ flush mount gauge, relieving and standard knob.

**Parts and Maintenance**

When the life of the product has expired, it is recommended that the product be disassembled, degreased and parts separated by material so that they can be recycled.

The original language of this manual is English.

Refer all communications to the nearest **Ingersoll Rand** Office or Distributor.





# 2000 Series piggyback filters / regulators

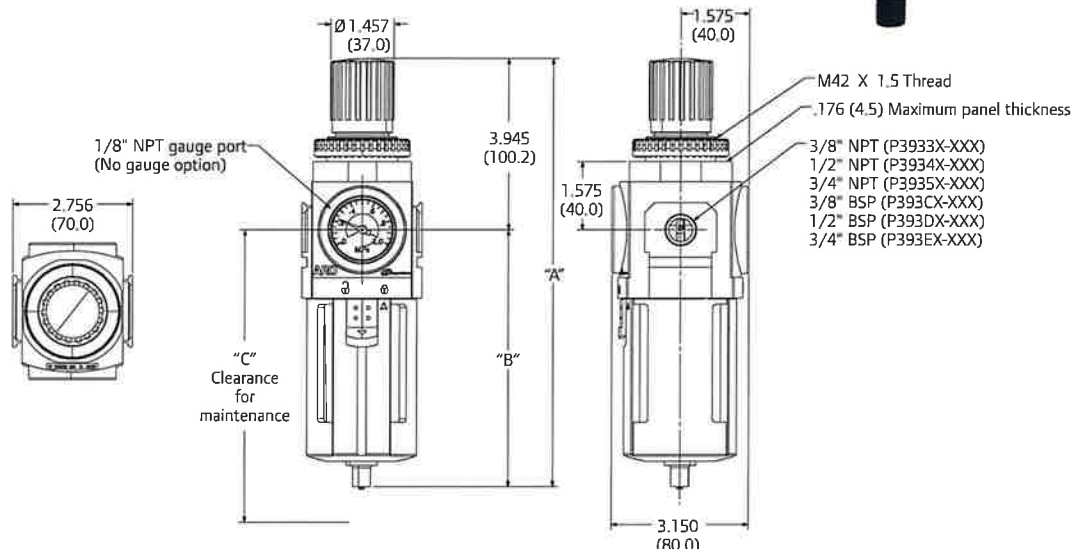
3/8", 1/2", and 3/4" Ports

Technical data		
	POLYCARBONATE BOWL	METAL / METAL W/ SIGHT GLASS
Max inlet pressure (psi)	150	250
Temperature range (F)	23 - 125	23 - 175
Spring range options (psi)	0 - 30	
	0 - 60	
	0 - 140	
	0 - 200	
Bowl cap — manual drain (oz)	1.9	2.4
Bowl cap — auto drain (oz)	2.3	2.8
Gauge port	1/8"	
Flow capacity — 3/8" port*	132 scfm	
Flow capacity — 1/2" port*	172 scfm	
Flow capacity — 3/4" port*	173 scfm	

\*Inlet pressure 100 psi (6.9 bar), 90 psi set (6.2 bar), with 33 psi drop (2.3 bar)



Panel nut comes standard on all individual piggyback units



MODEL	A (MM)	B (MM)	C (MM)	BOWL OPTION	DRAIN OPTION
P393XX-X00	9.961 (253.0)	6.016 (152.8)	9.016 (229.0)	POLY W/ GUARD	MANUAL
P393XX-X10	10.039 (225.0)	6.094 (154.8)	8.594 (218.3)	METAL W/ SIGHT GLASS	MANUAL
P393XX-X20	10.039 (225.0)	6.094 (154.8)	8.594 (218.3)	METAL	MANUAL
P393XX-X04	10.787 (274.0)	6.843 (173.8)	9.843 (250.0)	POLY W/GUARD	AUTOMATIC
P393XX-X14	10.866 (276.0)	6.921 (175.8)	9.421 (239.3)	METAL W/ SIGHT GLASS	AUTOMATIC
P393XX-X24	10.866 (276.0)	6.921 (175.8)	9.421 (239.3)	METAL	AUTOMATIC

## How to order

To configure the desired part number, use the chart below to select the port size, thread type, and configuration options.

Port size	Base model				
3/8"	P393	3	X	X	X
1/2"	P393	4	X	X	X
3/4"	P393	5	X	X	X

**Note:** Some menu combinations not available. Please consult price book to verify. Popular options are shown in **red** below.

Filter element	Pressure range PSIG	Relieving bowl option	Control / drain option
3 0.3-Micron coalescing	1 0 - 140 (no gauge)	0 Relieving / poly w/ guard	0 Standard knob / manual
4 5-Micron	2 0 - 60 (no gauge)	1 Relieving / metal w/ sight glass	4 Standard knob / automatic
<b>Thread type</b>	3 10 - 175 (no gauge)	2 Relieving / metal	
3 3/8" NPT	4 0 - 30 (no gauge)		
4 1/2" NPT	6 0 - 140 w/ flush-mount gauge		
5 3/4" NPT			
C 3/8" BSP			
D 1/2" BSP			
E 3/4" BSP			

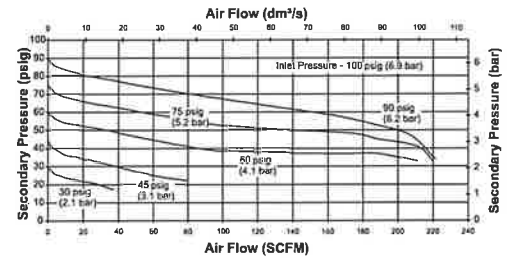
## Popular configurations

Port size NPT	Drain	Spring range psi	w/ Gauge	Model
<b>5 MICRON • POLYCARBONATE BOWL • RELIEVING</b>				
3/8"	Manual	0 - 140	No	P39334-100
3/8"	Manual	0 - 140	Yes	P39334-600
3/8"	Auto	0 - 140	No	P39334-104
3/8"	Auto	0 - 140	Yes	P39334-604
1/2"	Manual	0 - 140	No	P39344-100
1/2"	Manual	0 - 140	Yes	P39344-600
1/2"	Auto	0 - 140	No	P39334-104
1/2"	Auto	0 - 140	Yes	P39334-604
3/4"	Manual	0 - 140	No	P39354-100
3/4"	Manual	0 - 140	Yes	P39354-600
<b>40 MICRON • POLYCARBONATE BOWL • RELIEVING</b>				
3/8"	Manual	0 - 140	No	P39334-110
3/8"	Manual	0 - 140	Yes	P39334-610
3/8"	Auto	0 - 140	No	P39334-114
3/8"	Auto	0 - 140	Yes	P39334-614
1/2"	Manual	0 - 140	No	P39344-110
1/2"	Manual	0 - 140	Yes	P39344-610
1/2"	Auto	0 - 140	No	P39344-114
<b>1/2"</b>	<b>Auto</b>	<b>0 - 140</b>	<b>Yes</b>	<b>P39344-614</b>
3/4"	Manual	0 - 140	No	P39354-110
3/4"	Manual	0 - 140	Yes	P39354-610

Adjustment range can exceed spring rating on 0-30 psi and 0-60 psi regulators. The working range of the adjustment knob is designed to permit outlet pressures beyond the spring ratings in the 0-30psi and 0-60psi models. The adjustment knob is not designed to be a pressure limiting device. Limiting devices may be obtained only by special design. For optimal performance, regulators should not be set to ranges outside the specified spring range.

## 1/2" Pressure drop test

1/2" 2000 SERIES FILTER/REGULATOR



See page 77 for additional flow charts

## Replacement parts

MODEL	DESCRIPTION
104315	Replacement auto drain*
104316	Replacement manual drain
104317	5-Micron element
104318	40-Micron element
104363	0.3-Micron element
104320	Poly bowl, manual drain
104321	Poly bowl, auto drain
104322	Metal bowl, manual drain
104323	Metal bowl, auto drain
104324	Metal bowl, sight glass, auto
104325	Metal bowl, sight glass, man.
104326	Filter bowl service kit
104544	Regulator service kit (relieving)
104219	Regulator service kit (non-relieving)
104329	Tamper kit
104330	0 - 60 psi Spring
104331	0 - 140 psi Spring
104332	10 - 200 psi Spring
104334	0 - 140 psi Gauge flush mount
104418	Panel Nut
104533	0 - 30 psi Spring

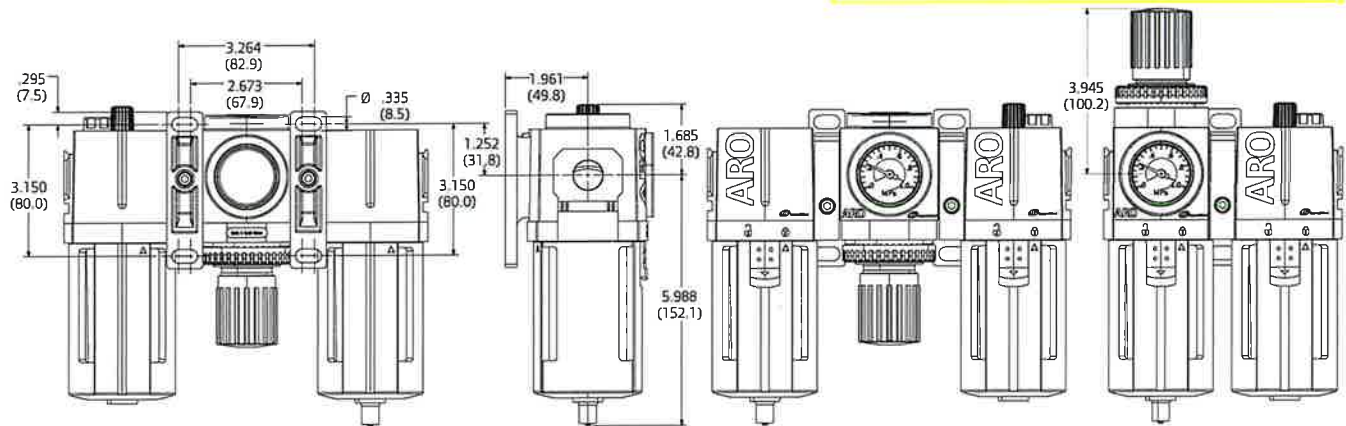
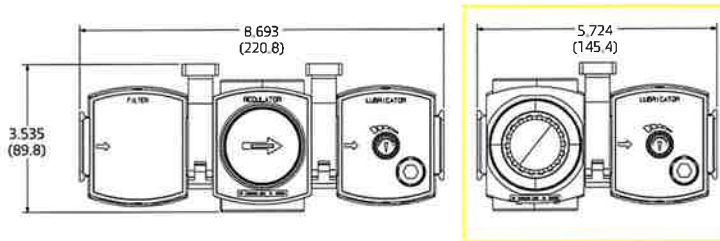
\* Replacement auto drains can only be used with auto drain bowls.

# 2000 Series combinations

3/8", 1/2", and 3/4" Ports

Technical data		
	POLYCARBONATE BOWL	METAL / METAL W/ SIGHT GLASS
Max inlet pressure (psi)	150	250
Temperature range (F)	23 - 125	23 - 175
Spring range options (psi)	0 - 140	
Filter element	5 micron	
Filter bowl cap — manual drain (oz)	1.9	2.4
Filter bowl cap — auto drain (oz)	2.3	2.8
Lubricator bowl capacity (oz)	4.3	3.7
Gauge port	1/8"	
Flow capacity — 3/8" - 2 unit*	96 scfm	
<b>Flow capacity — 1/2" - 2 unit*</b>	<b>120 scfm</b>	
Flow capacity — 3/4" - 2 unit*	142 scfm	
Flow capacity — 3/8" - 3 unit*	99 scfm	
Flow capacity — 1/2" - 3 unit*	150 scfm	
Flow capacity — 3/4" - 3 unit*	171 scfm	

\*Inlet pressure 100 psi (6.9 bar), 90 psi set (6.2 bar), with 33 psi drop (2.3 bar)



## F + R + L Combinations

Port size NPT	Filter	Components Regulator	Lubricator	Model
<b>MANUAL DRAIN • METAL BOWL W/ SIGHT GLASS • RELIEVING • W/ GAUGE</b>				
3/8"	F35331-410	R37331-600	L36331-110	C38331-810
1/2"	F35341-410	R37341-600	L36341-110	C38341-810
3/4"	F35351-410	R37351-600	L36351-110	C38351-810
<b>MANUAL DRAIN • POLYCARBONATE BOWL W/ GUARD • RELIEVING • W/ GAUGE</b>				
3/8"	F35331-400	R37331-600	L36331-100	C38331-800
1/2"	F35341-400	R37341-600	L36341-100	C38341-800
3/4"	F35351-400	R37351-600	L36351-100	C38351-800
<b>AUTO DRAIN • METAL BOWL W/ SIGHT GLASS • RELIEVING • W/ GAUGE</b>				
3/8"	F35331-411	R37331-600	L36331-110	C38331-811
1/2"	F35341-411	R37341-600	L36341-110	C38341-811
3/4"	F35351-411	R37351-600	L36351-110	C38351-811
<b>AUTO DRAIN • POLYCARBONATE BOWL W/ GUARD • RELIEVING • W/ GAUGE</b>				
3/8"	F35331-401	R37331-600	L36331-100	C38331-801
1/2"	F35341-401	R37341-600	L36341-100	C38341-801
3/4"	F35351-401	R37351-600	L36351-100	C38351-801

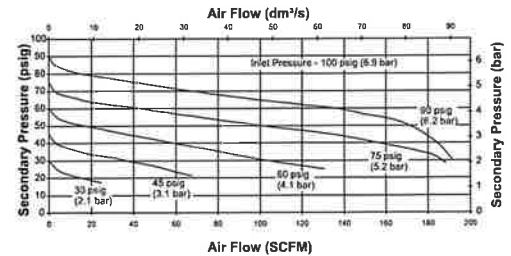
## F/R + L Combinations

Port size NPT	Filter-regulator	Components Lubricator	Model
<b>MANUAL DRAIN • METAL BOWL W/ SIGHT GLASS • RELIEVING • W/ GAUGE</b>			
3/8"	P39334-610	L36331-110	C38331-610
1/2"	P39344-610	L36341-110	C38341-610
3/4"	P39354-610	L36351-110	C38351-610
<b>MANUAL DRAIN • POLYCARBONATE BOWL W/ GUARD • RELIEVING • W/ GAUGE</b>			
3/8"	P39334-600	L36331-100	C38331-600
1/2"	P39344-600	L36341-100	C38341-600
3/4"	P39354-600	L36351-100	C38351-600
<b>AUTO DRAIN • METAL BOWL W/ SIGHT GLASS • RELIEVING • W/ GAUGE</b>			
3/8"	P39334-614	L36331-110	C38331-611
1/2"	<b>P39344-614</b>	<b>L36341-110</b>	<b>C38341-611</b>
3/4"	P39354-614	L36351-110	C38351-611
<b>AUTO DRAIN • POLYCARBONATE BOWL W/ GUARD • RELIEVING • W/ GAUGE</b>			
3/8"	P39334-604	L36331-100	C38331-601
1/2"	P39344-604	L36341-100	C38341-601
3/4"	P39354-604	L36351-100	C38351-601

**Note:** Other combinations may be assembled by purchasing the individual components separately. Modular connector kits are required to connect the individual units together.

## 1/2" Pressure drop test

1/2" 2000 SERIES F-R-L COMBO



See page 77 for additional flow charts

## Replacement parts

MODEL	DESCRIPTION
104315	Replacement auto drain*
104316	Replacement manual drain
104317	5-Micron element
104318	40-Micron element
104319	0.3-Micron filter element
104363	0.3-Micron piggyback element
104320	Poly bowl, manual drain
104321	Poly bowl, auto drain
104322	Metal bowl, manual drain
104323	Metal bowl, auto drain
104324	Metal bowl, sight glass, auto
104325	Metal bowl, sight glass, man.
104326	Filter bowl service kit
104327	Regulator service kit (relieving)
104328	Regulator service kit (non-relieving)
104329	Tamper kit
104330	0 – 60 psi Spring
104331	0 – 140 psi Spring
104332	10 – 200 psi Spring
104334	0 – 140 psi Gauge flush mount
104336	Polycarbonate bowl w/ guard
104337	Metal bowl
104338	Metal bowl w/ sight glass
104339	Lubricator bowl service kit
104470	Sight dome repair kit
104418	Panel Nut

\* Replacement auto drains can only be used with auto drain bowls.

# 2000 Series Lubricators

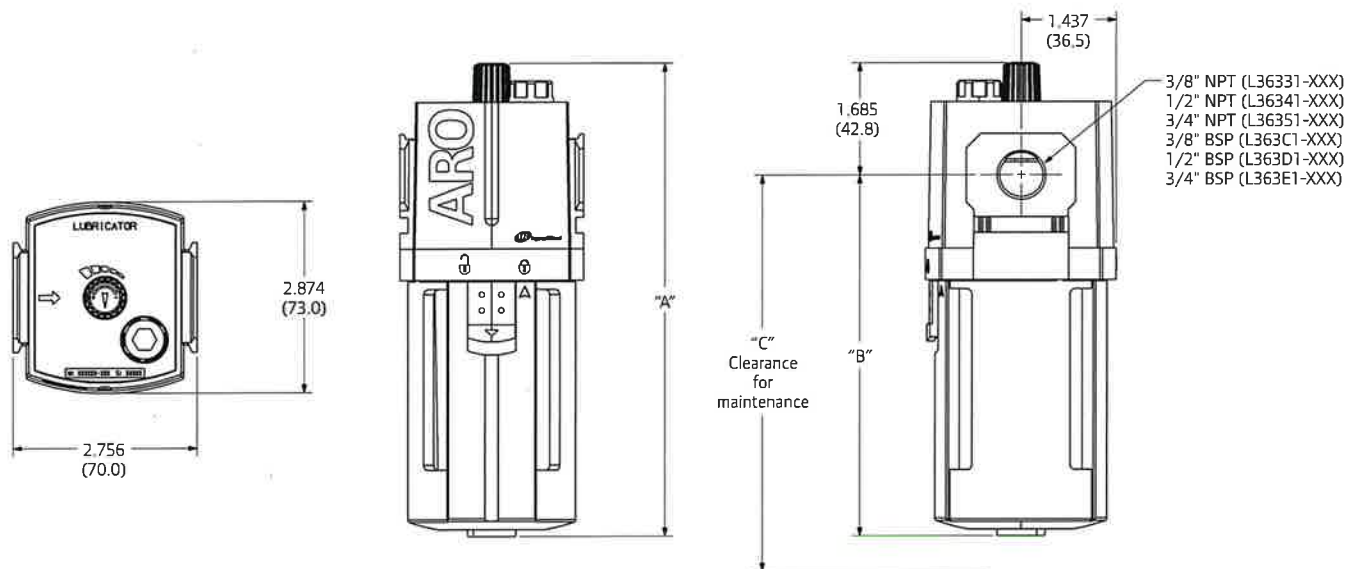
3/8", 1/2", and 3/4" Ports

Technical data		
Lubricator body	Aluminum	
Lubricator sight dome	Nylon	
Lubricator inlet tube	Urethane	
Seals	Nitrile	
	POLYCARBONATE BOWL	METAL / METAL W/ SIGHT GLASS
Max inlet pressure (psi)	150	250
Temperature range (F)	23 - 125	23 - 175
Bowl capacity (oz)	4.3	3.7
Flow capacity — 3/8" port*	85 scfm	
Flow capacity — 1/2" port*	156 scfm	
Flow capacity — 3/4" port*	222 scfm	

\*Inlet pressure 90 psi (6.2 bar) with 7 psi drop (0.5 bar)



2000 Series



MODEL	A (MM)	B (MM)	C (MM)	BOWL OPTION
L363X1-X0X	7.087 (180.0)	5.402 (137.2)	9.402 (238.8)	POLYCARBONATE
L363X1-X1X	7.165 (182.0)	5.480 (139.2)	8.980 (228.1)	METAL W/ SIGHT GLASS
L363X1-X2X	7.165 (182.0)	5.480 (139.2)	8.980 (228.1)	METAL

## How to order

To configure the desired part number, use the chart below to select the port size, thread type, and configuration options.

Port size Base model  
**3/8"** - L363 **3 1** - X X X  
**1/2"** - L363 **4 1** - X X X  
**3/4"** - L363 **5 1** - X X X

**Note:** Some menu combinations not available.  
 Please consult price book to verify.  
 Popular options are shown in **red** below.

### Thread type

**3** 3/8" NPT  
**4** 1/2" NPT  
**5** 3/4" NPT  
**C** 3/8" BSP  
**D** 1/2" BSP  
**E** 3/4" BSP

### Adjustment option

**1** Standard

### Bowl option

**0** Polycarbonate  
**1** Metal w/ sight glass  
**2** Metal

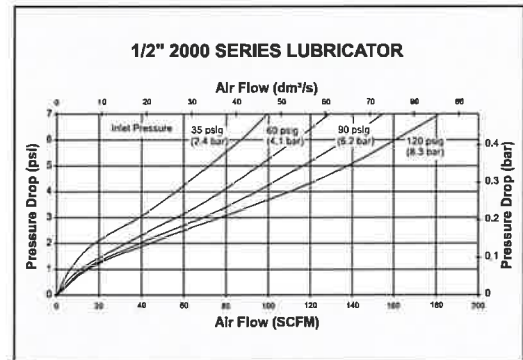
### Fill option

**0** Standard

## Popular configurations

Port size NPT	Adjustment option	Bowl cap (oz)	Fill option	Model
<b>METAL BOWL</b>				
3/8"	Standard	3.7	Standard	L36331-120
1/2"	Standard	3.7	Standard	L36341-120
3/4"	Standard	3.7	Standard	L36351-120
<b>POLYCARBONATE BOWL W/ GUARD</b>				
3/8"	Standard	3.7	Standard	L36331-110
<b>1/2"</b>	<b>Standard</b>	<b>3.7</b>	<b>Standard</b>	<b>L36341-110</b>
3/4"	Standard	3.7	Standard	L36351-110
<b>POLYCARBONATE BOWL W/ GUARD</b>				
3/8"	Standard	4.3	Standard	L36331-100
1/2"	Standard	4.3	Standard	L36341-100
3/4"	Standard	4.3	Standard	L36351-100

## 1/2" Pressure drop test



See page 77 for additional flow charts

## Replacement parts

MODEL	DESCRIPTION
104336	Polycarbonate bowl w/ guard
104337	Metal bowl
104338	Metal bowl w/ sight glass
104339	Lubricator bowl service kit
104470	Sight dome repair kit

## Accessories

See page 65 for details

MODEL	DESCRIPTION
104392-3	3/8" NPT lockout valve
104392-4	1/2" NPT lockout valve
104396	Modular clamp
104398-3	3/8" NPT pipe adapter
104398-4	1/2" NPT pipe adapter
104479-3	3/8" Check valve
104479-4	1/2" Check valve
104401	T-type wall mount
104409	C-type wall mount
104413-3-3	3/8" x 3/8" Manifold block
104413-4-3	1/2" x 3/8" Manifold block