

Quality People. Building Solutions.

Comfort Systems USA (Arkansas), Inc.
P.O. Box 16620
Little Rock, AR 72231
Phone 501-834-3320
Fax 501-834-5416

Date: 2/12/2024

Return Request: 2/22/2024

Project: Arkansas Children's Hospital – 4D Renovations

Supplier: Custom Metals

Manufacturer: Tuttle & Bailey

Submittal: Air Outlets & Inlets

Submittal Number: 23 37 00-01

Drawing # and Installation: Mechanical Drawings

ARCHITECT

Cromwell
1300 E. 6th Street
Little Rock, AR 72202
501-372-2900

ENGINEER

Cromwell
1300 E. 6th Street
Little Rock, AR 72202
501-372-2900

GENERAL CONTRACTOR

Nabholz
612 Garland St.
Conway, AR 72032
501-505-5800

MECHANICAL SUBCONTRACTOR

Comfort Systems USA (Arkansas), Inc.
9924 Landers Rd.
N. Little Rock, AR 72117
501-834-3320

Notes:



Job: **ACH 4D Renovations**

Spec Section: **HVAC**

Item: **Air Devices**

Submitted by:

Joe Minton Jr.

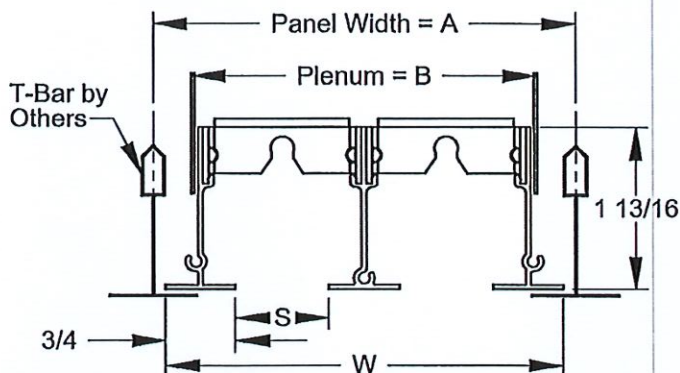
HVAC Project Manager

(501) 607-0043

02-09-2024

Main Product

6000



- Extruded aluminum construction
- Available slot widths are 1/2", 3/4", 1", 1-1/2", and 2"
- Available for 1 thru 8 slots for slot widths 1/2" - 1", 1 thru 4 slots for 1-1/2" - 2"
- Maximum single piece length is 72" (Longer units will ship as multiple sections)
- Standard finish is painted white margins with black pattern controllers

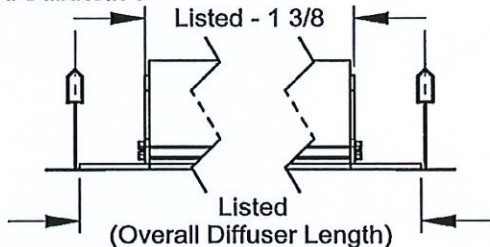
SLOT WIDTH	NUMBER OF SLOTS	Dim - W	Dim - A	Dim - B
100 - 1"	2 - 2 SLOTS	4 1/4	4 1/2	3 11/16

Construction Detail

SUPPLY PATTERN CONTROLLER



ECP END CAPS MARGIN-T



• Listed length equals overall length

OptionSchedule

SUPPLY/RETURN S-SUPPLY W/PATTERN CONTROLLER
 SLOT WIDTH 100 - 1"
 MARGIN STYLE T-3/4" (ALSO T-BAR)

ENDCAPS ECP - PAIR OF ENDCAPS
 ACCESSORY1 00 - NONE
 FINISH WH - WHITE

ID	Quantity	Tag	NUMBER OF SLOTS	LENGTH
1	4	A	2 - 2 SLOTS	47.75

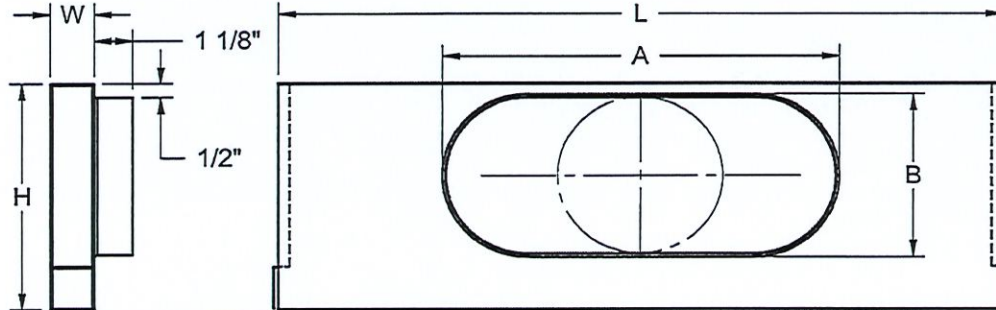
Dimensions are in inches, Product information subject to change without notice

Project ACH 4D RENOVATIONS Architect Engineer Contractor Version 1.0.00	Submitted By: Shelly Wade Wade Company 708 Garland Little Rock, Arkansas 72201	Date: 02-09-24 6000 Imperialine® 6000 - Series air linear slot diffuser - 1/2", 3/4", 1", 1-1/2",
--	--	--

Submittal Drawing

Main Products

LP



- Constructed from galvanized steel
- Standard nominal lengths are 24, 36, 48, and 60 inches
- Optional internal insulation (does not include endcaps)
- Optional internal baffling widens spread by shortening the throw

SLOT WIDTH	NUMBER OF SLOTS	MARGIN STYLE	Dim - W
100 - 1"	02 - 2 SLOTS 6000-SERIES	T - MARGIN	3-11/16

Construction Detail

LP - DIMENSION TABLE - 6000-SERIES - HIGH PROFILE

LENGTH	MARGIN STYLE	ENDCAPS	INLET	INLET TYPE	Dim - A	Dim - B	Dim - H	Dim - L
48"	T - MARGIN	ECP - PAIR OF ENDCAPS	08	R - ROUND INLET	7-7/16	7-7/16	10-5/8	47-1/8

OptionSchedule

INSULATION N - NO INSULATION
 DIFFUSER MODEL 6000 SLOT DIFFUSER
 HEIGHT H - HIGH PROFILE
 MARGIN STYLE T - MARGIN
 ENDCAPS ECP - PAIR OF ENDCAPS

INLET 08
 INLET TYPE R - ROUND INLET
 ACCESSORY1 0 - NONE
 FINISH ML - MILL

Dimensions are in inches, Product information subject to change without notice

Project ACH 4D RENOVATIONS Architect Engineer Contractor Version 1.0.00	Submitted By: Shelly Wade Wade Company 708 Garland Little Rock, Arkansas 72201	Date: 02-09-24 <p style="text-align: center;">LP</p> LP Linear Plenum (6000-Series and Air-Trac)
--	--	---

Submittal Drawing

OptionSchedule (continued)					
ID	Quantity	Tag	LENGTH	SLOT WIDTH	NUMBER OF SLOTS
1	4	A	48"	100 - 1"	02 - 2 SLOTS 6000-SERIES

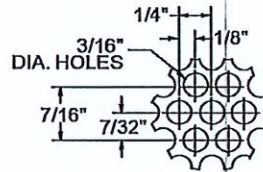
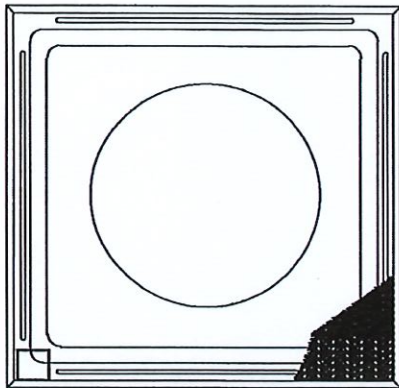
Dimensions are in inches, Product information subject to change without notice

Project ACH 4D RENOVATIONS Architect Engineer Contractor Version 1.0.00	Submitted By: Shelly Wade Wade Company 708 Garland Little Rock, Arkansas 72201	Date: 02-09-24 LP LP Linear Plenum (6000-Series and Air-Trac)
--	--	---

Submittal Drawing

Main Product

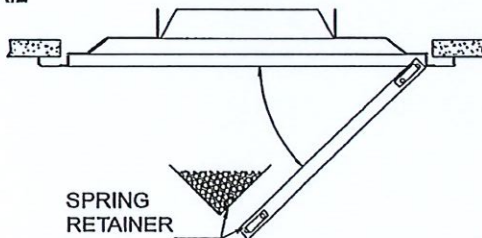
APR



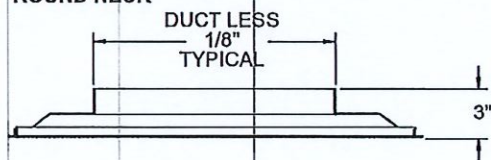
- Matching return for PV, PP, and PM supply diffusers
- Hinged / removable face allows for easy access to damper
- Optional square damper is shipped loose and field mounted
- Steel backpan with aluminum face
- Standard finish is white

Construction Detail

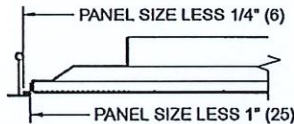
HINGE DETAIL



ROUND NECK



LT - LAY-IN



OptionSchedule

MODULE 24"x24"
MARGIN STYLE LT - LAY-IN (ROUND)

FINISH WH - WHITE

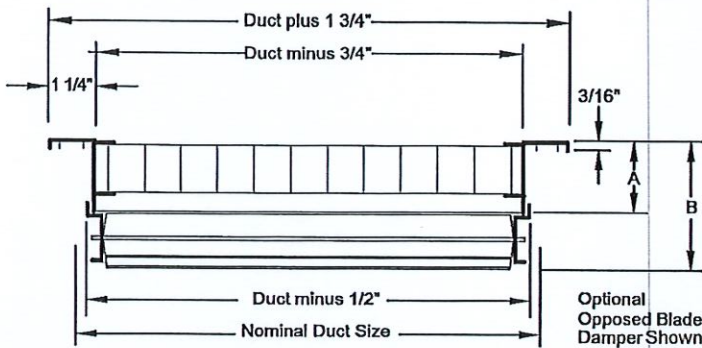
ID	Quantity	Tag	DIM1	DIM2
1	2	B	10	0 (ROUND NECK)

Dimensions are in inches, Product information subject to change without notice

Project ACH 4D RENOVATIONS	Submitted By: Shelly Wade	Date: 02-09-24
Architect	Wade Company	APR Diffuser, Return, Perforated, Aluminum face, Steel backpan
Engineer	708 Garland	
Contractor	Little Rock, Arkansas 72201	
Version 1.0.00		

Main Product

CRE500

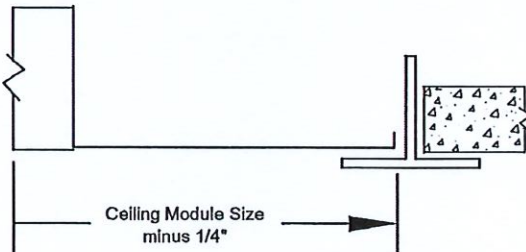


- Aluminum construction (frame and core)
- Available sizes: 6"x4" to 48"x48"
- Grid core size: 1/2"x1/2"x1/2"
- Optional damper (SOBD-Steel, AOBD-Aluminum) is factory mounted
- Standard finish is white (WH)

A = 1-1/4"
B = 2-1/2"

Construction Detail

LT - LAY-IN



OptionSchedule

MARGIN STYLE LT - LAY-IN T-BAR
MODULE 12"x12"
SCREW HOLES 02 - NO HOLES

OPTIONAL DAMPER 0000 - NONE
ACCESSORIES 000 - NONE
FINISH WH - WHITE

ID	Quantity	Tag	WIDTH	HEIGHT
1	2	C	6	6

Dimensions are in inches, Product information subject to change without notice

Project ACH 4D RENOVATIONS	Submitted By: Shelly Wade	Date: 02-09-24
Architect	Wade Company	CRE500
Engineer	708 Garland	Grille, Return, Grid core, 1/2"x1/2"x1/2",
Contractor	Little Rock, Arkansas 72201	Aluminum, Optional OBD
Version 1.0.00		

Main Product
SRD

ROUND NECK
LISTED SIZE - 1/8

A

B

SQUARE NECK
LISTED SIZE

- Square to Round for GRD's
- Standard Finish is Mill (ML)
- Galvanized Steel Construction
- Shipped loose for field installation

Dim - A	Dim - B
1-1/4	3-1/4

OptionSchedule

NECK SIZE 06 X 06	ROUND NECK 06
-------------------	---------------

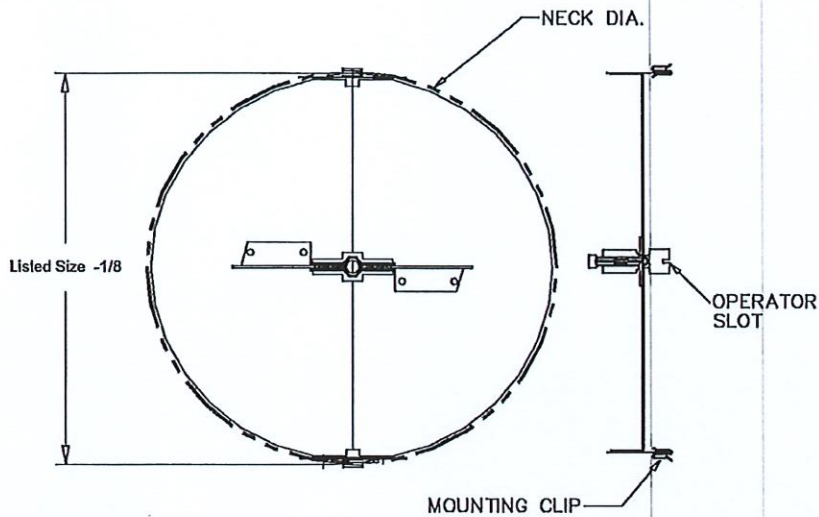
ID	Quantity	Tag
1	2	C

Dimensions are in inches, Product information subject to change without notice

Project ACH 4D RENOVATIONS	Submitted By: Shelly Wade	Date: 02-09-24
Architect	Wade Company	SRD Square to round adaptor, For all GRD's (Except M Series and RC Series)
Engineer	708 Garland	
Contractor	Little Rock, Arkansas 72201	
Version 1.0.00		

Main Product

RBN

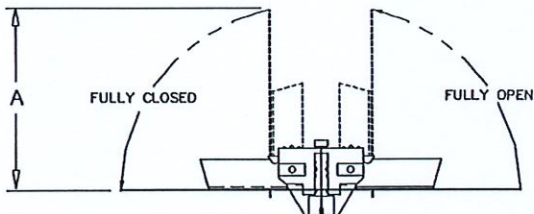


- The RBN is a neck mounted round butterfly damper
- Steel construction
- Screwdriver adjustable from fully open to fully closed
- Not recommended for use in flexible duct applications
- Shipped loose, field installation is required
- Blades open upward into the air stream
- Standard finish is mill

ROUND NECK	Dim - A
10	4-3/4
06	2-3/4

Construction Detail

RBN



Option Schedule

ROUND NECK 10

Dimensions are in inches, Product information subject to change without notice

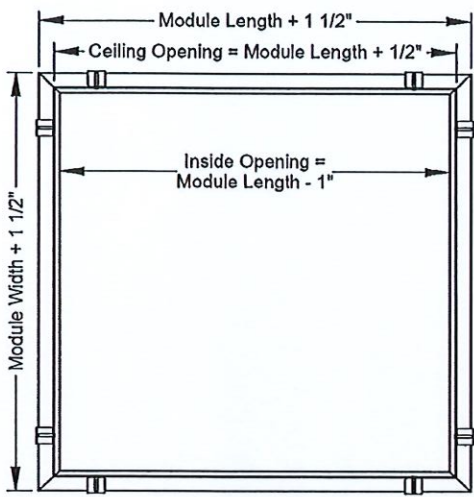
Project ACH 4D RENOVATIONS Architect Engineer Contractor Version 1.0.00	Submitted By: Shelly Wade Wade Company 708 Garland Little Rock, Arkansas 72201	Date: 02-09-24 RBN <P>Round Butterfly Damper, Neck Mount, Steel</P>
--	--	--

OptionSchedule (continued)		
ID	Quantity	Tag
1	2	B
ROUND NECK 06		
ID	Quantity	Tag
2	2	C

Dimensions are in inches, Product information subject to change without notice

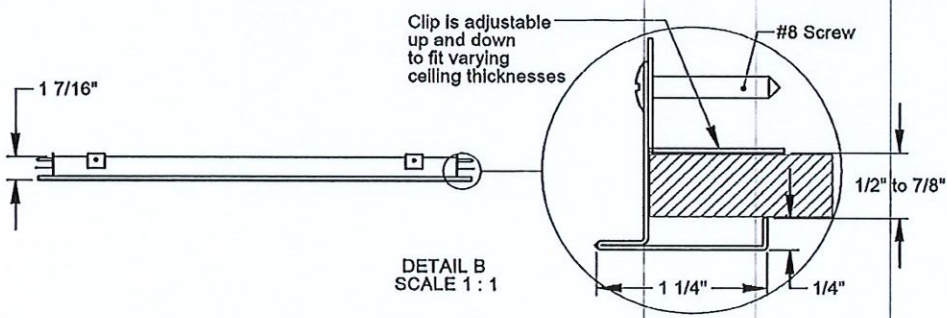
Project ACH 4D RENOVATIONS	Submitted By: Shelly Wade	Date: 02-09-24
Architect	Wade Company	RBN
Engineer	708 Garland	<P>Round Butterfly Damper, Neck Mount,
Contractor	Little Rock, Arkansas 72201	Steel</P>
Version 1.0.00		

Main Product
SMF



- Allows T-Bar Lay-in type diffusers to be installed in surface mount applications
- SMF can be mounted in plaster or sheet rock ceiling
- Hardware for mounting is included (screws & safety clips)
- Steel construction
- Standard finish is white (WH)

Construction Detail
SMF



Clip is adjustable up and down to fit varying ceiling thicknesses

#8 Screw

1 7/16"

1 1/4"

1/4"

1/2" to 7/8"

DETAIL B
SCALE 1 : 1

OptionSchedule

MODULE 12"×12"	FINISH WH - WHITE
----------------	-------------------

ID	Quantity	Tag
1	2	C

Dimensions are in inches, Product information subject to change without notice

Project ACH 4D RENOVATIONS Architect Engineer Contractor Version 1.0.00	Submitted By: Shelly Wade Wade Company 708 Garland Little Rock, Arkansas 72201	Date: 02-09-24 <div style="text-align: center;">SMF</div> Frame, Plaster ceiling trim, Steel
---	--	---