

*Quality People. Building Solutions.*

Comfort Systems USA (Arkansas), Inc.  
P.O. Box 16620  
Little Rock, AR 72231  
Phone 501-834-3320  
Fax 501-834-5416

**Date:** 2/12/2024

**Return Request:** 2/22/2024

**Project:** Arkansas Children's Hospital – 4D Renovations

**Supplier:** Custom Metals

**Manufacturer:** Various

**Submittal:** Air Duct Accessories

**Submittal Number:** 23 33 00-01

**Drawing # and Installation:** Mechanical Drawings

**ARCHITECT**

Cromwell  
1300 E. 6<sup>th</sup> Street  
Little Rock, AR 72202  
501-372-2900

**ENGINEER**

Cromwell  
1300 E. 6<sup>th</sup> Street  
Little Rock, AR 72202  
501-372-2900

**GENERAL CONTRACTOR**

Nabholz  
612 Garland St.  
Conway, AR 72032  
501-505-5800

**MECHANICAL SUBCONTRACTOR**

Comfort Systems USA (Arkansas), Inc.  
9924 Landers Rd.  
N. Little Rock, AR 72117  
501-834-3320

Notes:

[chowell@comfortar.com](mailto:chowell@comfortar.com)



# Custom Metals

A LEXICON, INC. COMPANY

Job: **ACH 4D Renovations**

Spec Section: **HVAC**

Item: **High Pressure Flex Ducts**

Submitted by:

Joe Minton Jr.

HVAC Project Manager

(501) 607-0043

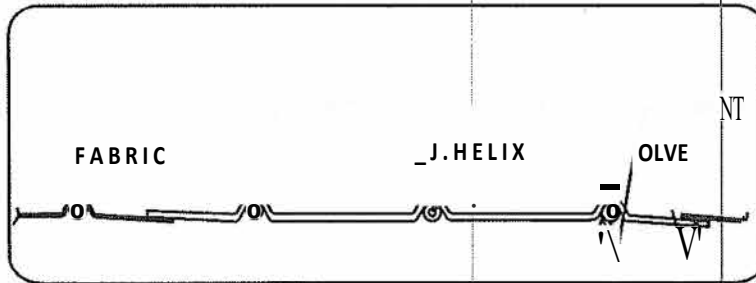
02-09-2024



# SUBMITTAL SHEET for Flexible Duct

**S. TL** Non-Insulated Flexible Air Duct for  
All Pressure Systems

CODES/STANDARDS	GreenGuard Certified for Superior Indoor Air Quality	Q1 2J6E	listed and labeled by Underwriters' Laboratories, Inc., as a Class I Air Duct, Standard 181. It complies with the latest NFPA Bulletins 90A and 908, Flame spread: not over 25. Smoke developed: not over 50.	
FABRIC TYPE	Coated fiberglass woven fabric.			
STEEL WIRE	Coated spring steel wire helix.			
SIZES, ID	2 1/2 3 1/2 4 1/2 5 1/2 6	1 1/2 2 1/2 3 1/2 4 1/2 5 1/2 6	10 1/2 12 1/2 14 1/2 16 1/2 18 1/2 20 1/2 22 1/2 24 1/2	16 1/2 18 1/2 20 1/2 22 1/2 24 1/2
LENGTH (feet)			25 ft.	15 ft.
INSIDE BEND RADIUS (inches)	2 1/2 3 1/2 4 1/2 5 1/2 6	1 1/2 2 1/2 3 1/2 4 1/2 5 1/2 6	10 1/2 12 1/2 14 1/2 16 1/2 18 1/2 20 1/2 22 1/2 24 1/2	16 1/2 18 1/2 20 1/2 22 1/2 24 1/2
OPERATING TEMPERATURE RANGE	0° F to 250° F.			
RATED VELOCITY	6000 fpm.			
MAX RATED PRESSURE (inches water column)	POSITIVE	1/2 Inches (2-10 in. dia.)	1/2 Inches (12-20 in. dia.)	
	NEGATIVE	1/2 Inch		



JOB _____	P10. NO. _____
LOCATION _____	JOB NO. _____
ENGINEER _____	REPRESENTATIVE _____
CONTRACTOR _____	Approved for Construction
BY _____	BY _____
TITLE _____	TITLE _____
DATE _____	DATE _____

THERMAFLEX" - A Division of Flex-Tek Group, a subsidiary of Smiths Group pie.  
National Sales Headquarters  
• 528 Carwellyn Rd. • Abbeville, SC 29620 • 800-459-4822  
Canada  
• 5230 Orbitor Dr. • Mississauga, Ontario L4W 5G7 • 905-602-9660  
www.thermafex.net

G.H.A.R.L., @fjc@



Job: **ACH 4D Renovations**

Spec Section: **HVAC**

Item: **Take-off Fittings**

Submitted by:

Joe Minton Jr.

HVAC Project Manager

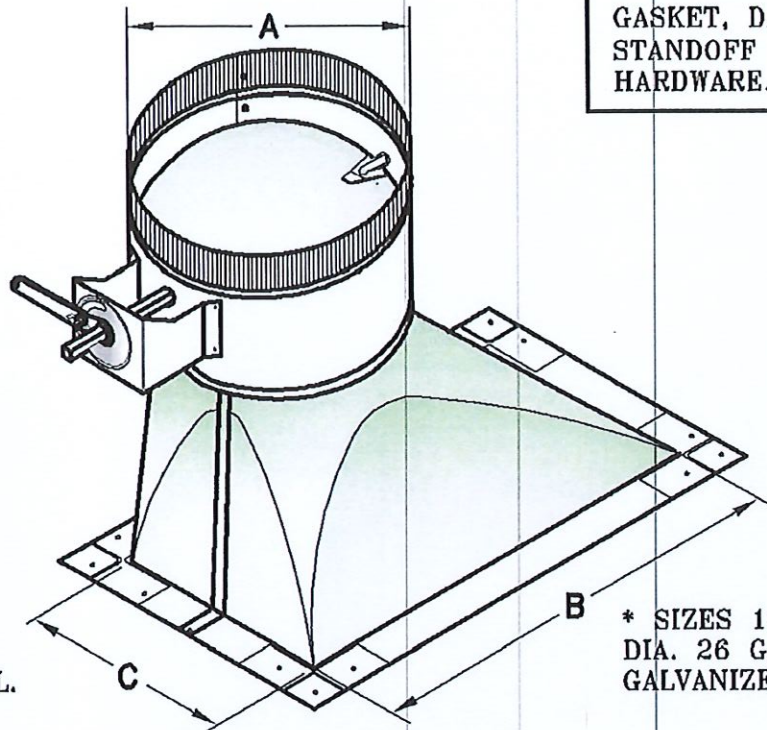
(501) 607-0043

02-09-2024



**MODEL # AT-502**

**DESCRIPTION:**  
 AIR TIGHT 45° TAKEOFF W/  
 GASKET, DAMPER & 2"  
 STANDOFF QUADRANT & 1/4"  
 HARDWARE.



\* SIZES 4" THROUGH 9"  
 DIA. 28 GAUGE  
 GALVANIZED SHEET METAL.

\* SIZES 10" THROUGH 20"  
 DIA. 26 GAUGE  
 GALVANIZED SHEET METAL.

**PRODUCT NOTES:**

TAKEOFF FITTINGS ARE CONSTRUCTED OF GALVANIZED SHEET METAL OF LOCK FORMING AND ROLL FORMING QUALITY.

THE 1" WIDE MOUNTING FLANGES COME COMPLETE WITH DIE FORMED CORNER CLIPS FOR ADDED RIGIDITY AND PRE-PUNCHED SCREW HOLES.

A PEEL OFF ADHESIVE GASKET (1" X 1/8") IS PROVIDED BY THE FACTORY TO HOLD THE FITTING SECURELY IN PLACE DURING INSTALLATION AND TO ASSURE MINIMAL LEAKAGE.

DAMPER BLADE CAN BE CONSTRUCTED WITH 28, 26, 24 OR 22 GAUGE MATERIAL.

**SIZES AVAILABLE:**

A	B	C	HEIGHT
<del>4"</del>	<del>8"</del>	<del>6"</del>	<del>10"</del>
<del>5"</del>	<del>10"</del>	<del>5"</del>	<del>10"</del>
<del>6"</del>	<del>12"</del>	<del>6"</del>	<del>10"</del>
<del>7"</del>	<del>12"</del>	<del>6"</del>	<del>10.25"</del>
4-8"	12"	6"	10.25"
<del>9"</del>	<del>15"</del>	<del>6"</del>	<del>10.25"</del>
<del>10"</del>	<del>16"</del>	<del>6.5"</del>	<del>12"</del>
<del>12"</del>	<del>18"</del>	<del>8.5"</del>	<del>12"</del>
<del>14"</del>	<del>20"</del>	<del>9.5"</del>	<del>13.75"</del>
<del>16"</del>	<del>24"</del>	<del>12"</del>	<del>14.5"</del>
<del>18"</del>	<del>26"</del>	<del>14"</del>	<del>14.5"</del>
<del>20"</del>	<del>28"</del>	<del>16"</del>	<del>15.25"</del>

JOB \_\_\_\_\_ DATE \_\_\_\_\_

ARCHITECT \_\_\_\_\_ REPRESENTATIVE \_\_\_\_\_

ENGINEER \_\_\_\_\_ P.O. # \_\_\_\_\_

CONTRACTOR \_\_\_\_\_