

Quality People. Building Solutions.

Comfort Systems USA (Arkansas), Inc.
P.O. Box 16620
Little Rock, AR 72231
Phone 501-834-3320
Fax 501-834-5416

Date: 2/12/2024

Return Request: 2/22/2024

Project: Arkansas Children's Hospital – 4D Renovations

Supplier: Sanders Supply

Manufacturer: Various

Submittal: Plumbing Fixtures

Submittal Number: 22 00 00-01

Drawing # and Installation: Plumbing Drawings

ARCHITECT

Cromwell
1300 E. 6th Street
Little Rock, AR 72202
501-372-2900

ENGINEER

Cromwell
1300 E. 6th Street
Little Rock, AR 72202
501-372-2900

GENERAL CONTRACTOR

Nabholz
612 Garland St.
Conway, AR 72032
501-505-5800

MECHANICAL SUBCONTRACTOR

Comfort Systems USA (Arkansas), Inc.
9924 Landers Rd.
N. Little Rock, AR 72117
501-834-3320

Notes:

*No Spec Section

Arkansas Childrens Hospital 4D

Little Rock, AR

Comfort Systems USA

North Little Rock, AR

Plumbing Submittals

Sanders Supply



Hot Springs, AR

February 7, 2024

ACH 4D Renovations

Plumbing Fixture Schedule Index

<u>TAB</u>	<u>Description</u>
WC-1	Water Closet
LV-1	Lavatory
SH-1	Shower

WC-1



Z6000

Exposed Flush Valve for Water Closets

TAG WC-1

Architectural/Engineering Specification:

Exposed, quiet diaphragm-type, chrome plated flushometer valve with a polished exterior. Complete with a chloramine resistant, dual seal diaphragm with a clog resistant by-pass. The valve is ADA compliant with a non-hold open and no leak handle feature. Internal seals are made of chloramine resistant materials.

Product Features:

- Control Stop has internal siphon-guard protection, sweat solder kit, wall flange with set screw.
- High back pressure vacuum breaker with one piece hex coupling nut
- Chloramine resistant Internal seals
- Adjustable tailpiece
- Spud coupling and flange for top spud connection

Valve Height Options:

	Product No.	A
<input checked="" type="checkbox"/>	Z6000	11 1/2" [292]
<input type="checkbox"/>	Z6000-1	16" [406]
<input type="checkbox"/>	Z6000-2	24" [610]
<input type="checkbox"/>	Z6000-3	27" [686]

Compliance and Certification:

- ADA Compliant



*This product should be used with a WaterSense labeled counterpart with a compatible flow volume to ensure that the entire system meets the requirements for water efficiency and performance.



Flow Options:

	Flush Volume	Dual Flush	WaterSense* Labeled
<input type="checkbox"/> ONE**	1.1 gpf		✓
<input checked="" type="checkbox"/> HET**	1.28 gpf		✓
<input type="checkbox"/> WS1	1.6 gpf	1.6/1.1 gpf	
<input type="checkbox"/> Standard	3.5 gpf	3.5/2.4 gpf	

Suffix Options:

- BG BioCare Handle
- DF Dual Flush Handle (See Chart Above)
- H Handle on Front of Flush Valve
- L 1" [25] Metal Push Button
- VC Vandal Resistant Stop Cover
- YJ Split Ring Pipe Support
- YK Solid Ring Pipe Support

Upgrade Options:

- PL **Aquaflush Plus** - includes Vandal Resistant Stop Cover and Proprietary Dezincification resistant low lead brass alloy body.
- TFB Triple Filter By-pass

** Not available w/-TFB

Architectural/Engineering Approval

The information contained in this document is subject to change without notice. Please contact Zurn for most up to date information.

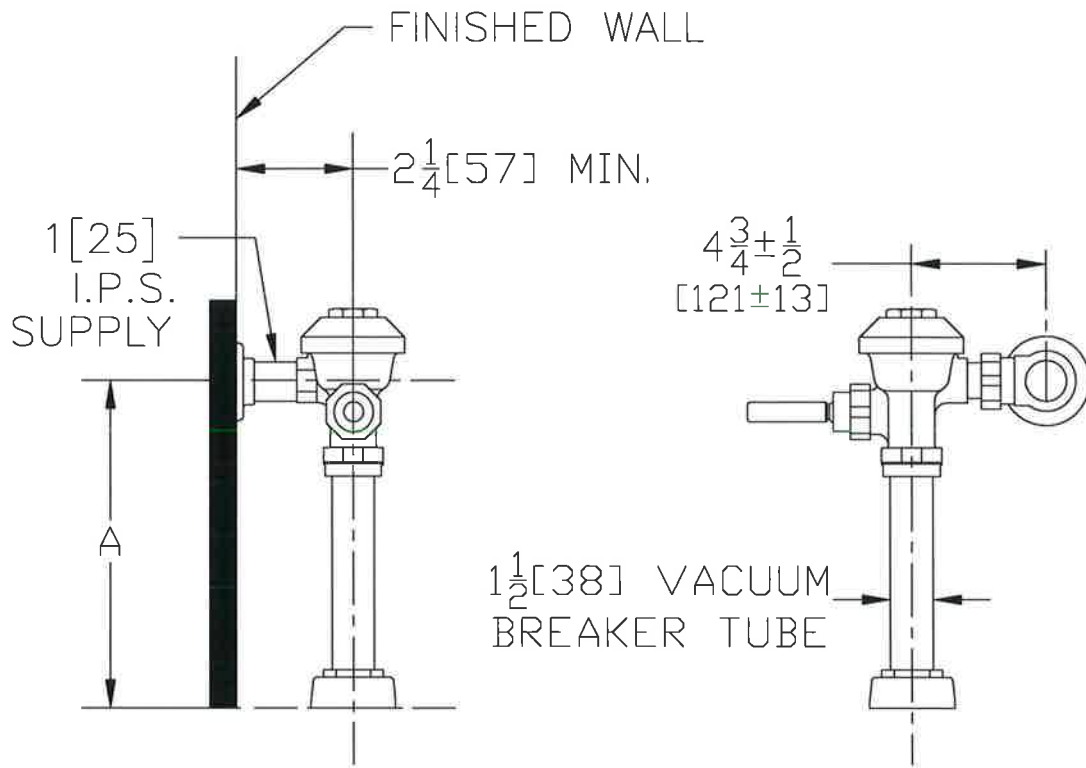


Z6000

Exposed Flush Valve for Water Closets

TAG _____

Rough-in/Overview dimensions



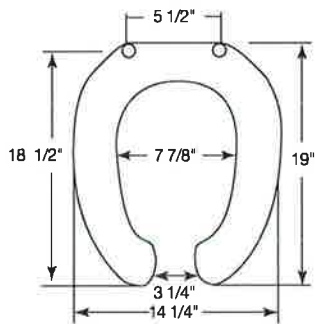


COMMERCIAL PLASTIC SEATS

MODEL 2155CT

- ELONGATED SEAT, OPEN FRONT LESS COVER
- SOLID PLASTIC
- DURAGUARD® ANTIMICROBIAL AGENT
- STA-TITE®, COMMERCIAL FASTENING SYSTEM™

DuraGuard®
ANTIMICROBIAL



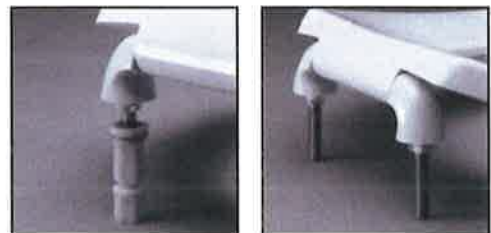
Ring thickness is 13/16"
Ring thickness including the bumper is 1"
Height of the seat is 2-1/4"

Seats shall be No. _____ as manufactured by Church Seats. Seats shall contain DuraGuard®, an antimicrobial agent. Seats shall be heavy weight and injection molded of solid plastic. Seats shall be open front less cover for elongated bowl and feature large molded-in bumpers. Seats shall have STA-TITE®, Commercial Fastening System™, featuring concealed check hinges with 300 Series stainless steel posts and pintles that stop seat 11 degrees beyond vertical. Color to be white.

Hinges shall be 2155CT / 2155SSCT.
(Circle model based on description below.)

2155CT Concealed check hinge stops seat 11° beyond vertical

2155SSCT Self-sustaining, concealed stainless steel check hinge holds seat in any raised position up to 11° beyond vertical.



STATITE®



Assemble hinges.

Finger-tighten fastening nuts.

Using wrench, tighten until lower portion shears off.

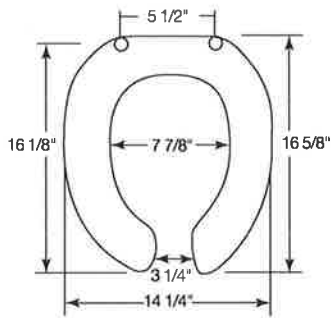


COMMERCIAL PLASTIC SEATS

MODEL 2055CT

- ROUND SEAT, OPEN FRONT LESS COVER
- SOLID PLASTIC
- DURAGUARD® ANTIMICROBIAL AGENT
- STA-TITE®, COMMERCIAL FASTENING SYSTEM™

DuraGuard®
ANTIMICROBIAL



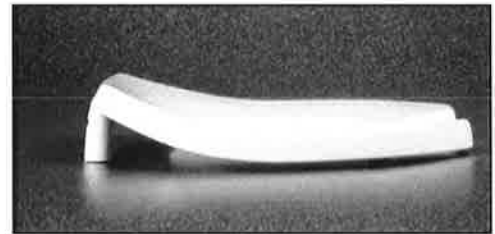
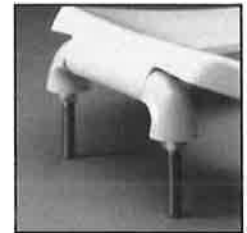
Ring thickness is 13/16"
Ring thickness including the bumper is 1"
Height of the seat is 2-1/4"

Seats shall be No. _____ as manufactured by Church Seats. Seats shall contain DuraGuard®, an antimicrobial agent. Seats shall be heavy weight and injection molded of solid plastic. Seats shall be open front less cover for round bowl and feature large molded-in bumpers. Seats shall have STA-TITE®, Commercial Fastening System™, featuring concealed check hinges with 300 Series stainless steel posts and pintles that stop seat 11 degrees beyond vertical. Color to be white.

Hinges shall be 2055CT / 2055SSCT.
(Circle model based on description below.)

2055CT Concealed check hinge stops seat 11° beyond vertical.

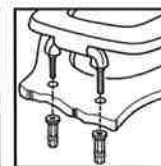
2055SSCT Self-sustaining, concealed stainless steel check hinge holds seat in any raised position up to 11° beyond vertical.



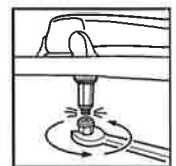
STA-TITE®



Assemble hinges.



Finger-tighten fastening nuts.



Using wrench, tighten until lower portion shears off.

For Commercial Applications

Job Name **ACH 4D**
 Job Location **LR**
 Engineer **Cromwell**
 Approval _____
 Tag **WC-1**

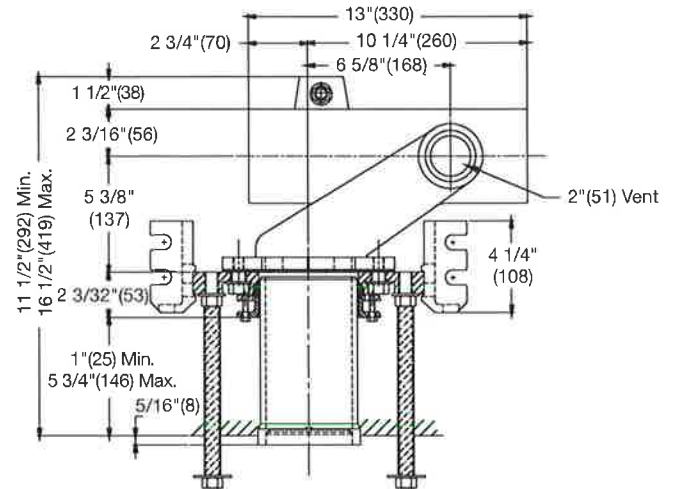
Contractor **Comfort Systems USA**
 Approval _____
 Contractor's P.O. No. _____
 Representative **Sanders Supply**

ISCA-101-L/R

Industry Standard Single Horizontal Adjustable Closet Carrier

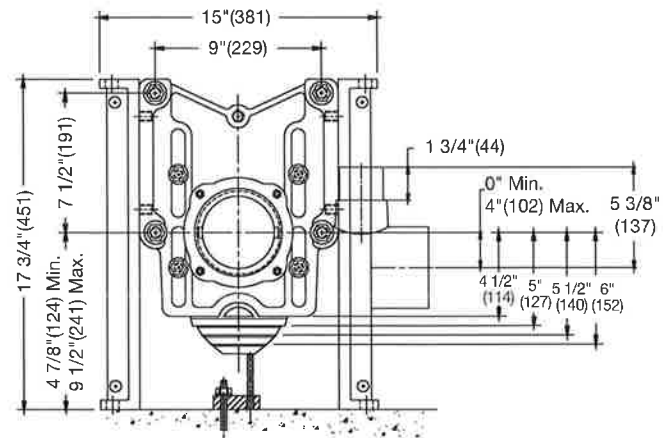
Specification

Watts ISCA-101-L/R *Industry Standard* single horizontal adjustable water closet carrier with epoxy coated cast iron fitting, 4"(102) no hub waste and 2"(51) no hub vent connections, epoxy coated cast iron patented compression seal faceplate assembly, and epoxy coated cast iron foot supports with incremental height markings. Adjustable for standard and wheelchair height, adjustable ABS nipple with integral test cap and neoprene bowl gasket, plated hardware and chrome cap nuts. Carrier complies with requirements of ASME A112.6.1M up to a 500 lb. (227 kg.) static load.



Options (Select One or More)		
Suffix	Description	
-3	3" No Hub Fitting	<input type="checkbox"/>
-36	36" Long Barrel Fitting	<input type="checkbox"/>
-CA-100-EXT	Aux. Support System w/Extended Nipple	<input type="checkbox"/>
-CI	Cast Iron Nipple	<input type="checkbox"/>
-HS	Hub & Spigot Connections	<input type="checkbox"/>
-M1	ABS Extended Nipple (Up to 24")	<input type="checkbox"/>
-M11	Tiling Frame	<input type="checkbox"/>
-M20	Flush Valve Support	<input type="checkbox"/>

Please refer to watts.com for BAA information on specific models.



Note: Left hand carrier shown; right hand carrier is mirror image

NOTICE

Anchor legs to concrete floor with minimum 1/2"(13) anchor bolts (by others).

Dual slotted carrier feet require one 1/2"(13) anchor bolt per foot.

NOTICE

The information contained herein is not intended to replace the full product installation and safety information available or the experience of a trained product installer. You are required to thoroughly read all installation instructions and product safety information before beginning the installation of this product.

Watts product specifications in U.S. customary units and metric are approximate and are provided for reference only. For precise measurements, please contact Watts Technical Service. Watts reserves the right to change or modify product design, construction, specifications, or materials without prior notice and without incurring any obligation to make such changes and modifications on Watts products previously or subsequently sold.



USA: T: (800) 338-2581 • F: (828) 248-3929 • Watts.com

Canada: T: (888) 208-8927 • F: (888) 479-2887 • Watts.ca

Latin America: T: (52) 55-4122-0138 • Watts.com

LV-1



T&S BRASS AND BRONZE WORKS, INC.

2 Saddleback Cove / P.O. Box 1088
Travelers Rest, SC 29690

Model No.

B-0892-VF05

Item No.

Travelers Rest, SC: 800-476-4103 • Simi Valley, CA: 800-423-0150 • Fax: 864-834-3518 • www.tsbrass.com



ADA Compliant

This Space for Architect/Engineer Approval

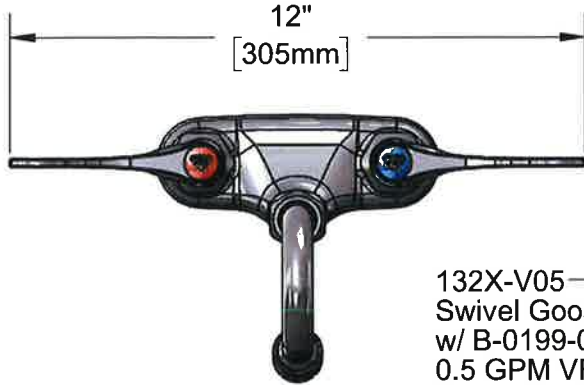
Job Name _____ Date _____

Model Specified _____ Quantity _____

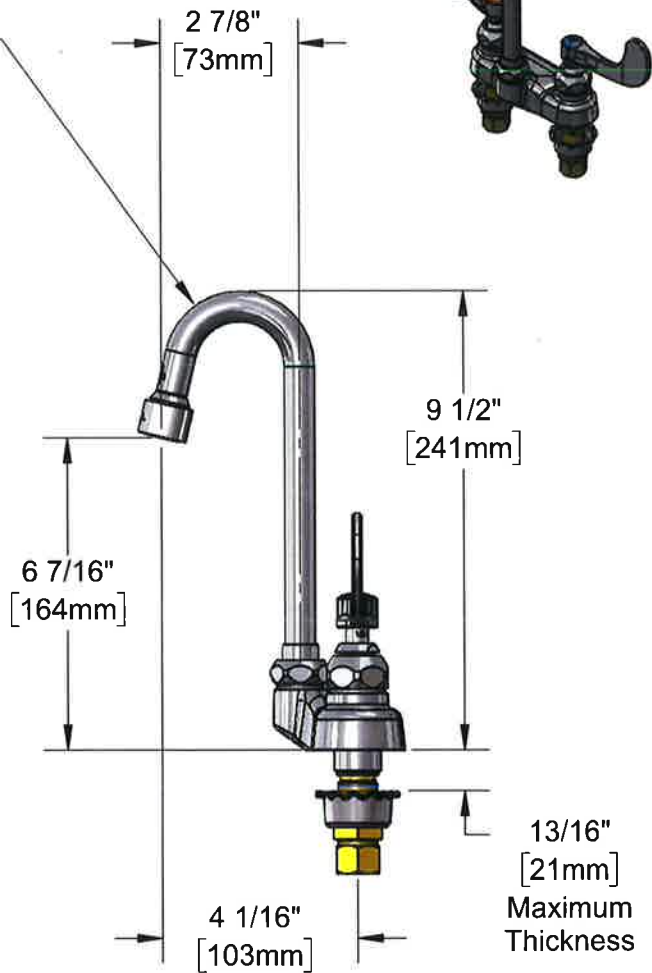
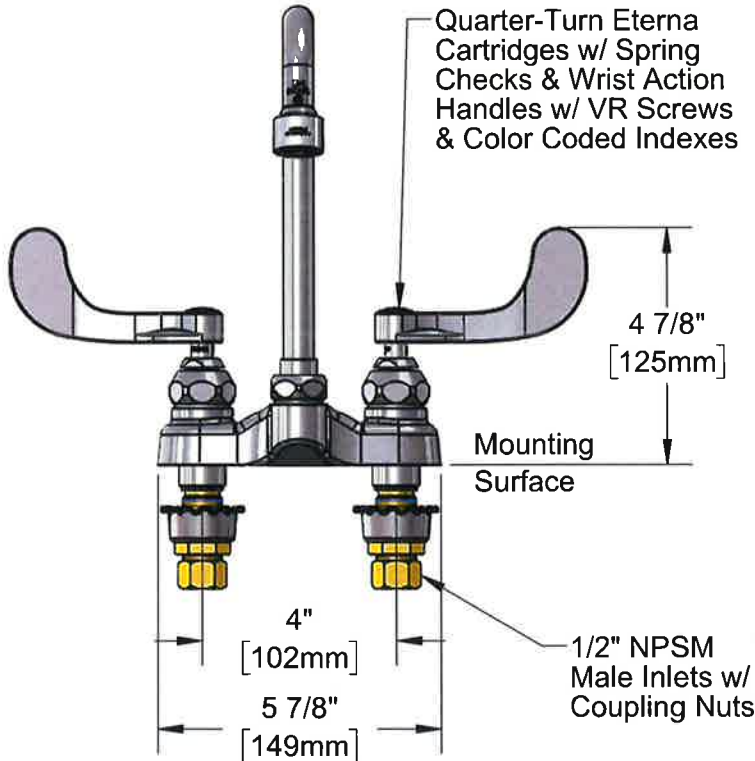
Customer/Wholesaler _____

Contractor _____

Architect/Engineer _____



132X-V05
Swivel Gooseneck
w/ B-0199-06-N05
0.5 GPM VR Non-Aerated
Spray Device.
Converts to Rigid w/
014200-45 Lock Washer
(Included)



Rough-In Requirement:
(2) ϕ 1 1/8" [26mm] Mounting Holes

Product Specifications:
4" Centerset Deck Mount Mixing Faucet, Quarter-Turn Eterna Cartridges w/ Spring Checks, 4" Wrist Action Handles w/ VR Screws, 2 7/8" Swivel Gooseneck, 0.5 GPM VR Non-Aerated Spray Device & 1/2" NPSM Male Inlets

Product Compliance:
ASME A112.18.1 / CSA B125.1
NSF 61 - Section 9
NSF 372 (Low Lead Content)
ANSI A117.1 (ADA)



T&S BRASS AND BRONZE WORKS, INC.

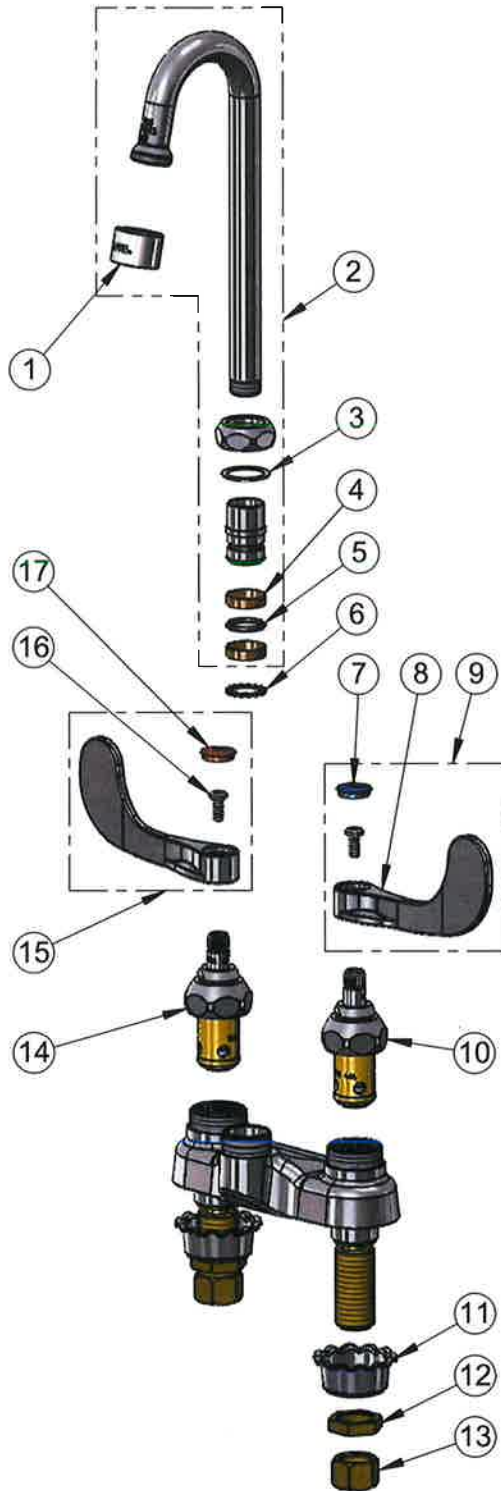
2 Saddleback Cove / P.O. Box 1088
Travelers Rest, SC 29690

Model No.

B-0892-VF05

Item No.

Travelers Rest, SC: 800-476-4103 • Simi Valley, CA: 800-423-0150 • Fax: 864-834-3518 • www.tsbrass.com



ITEM NO.	SALES NO.	DESCRIPTION
1	B-0199-06-N05	VR 0.5 GPM Non-Aerated Spray Device, 55/64-27 UN Female w/ Key
2	132X-V05	2 7/8" Swivel Gooseneck w/ 0.5 GPM VR Non-Aerated Spray Device & Key
3	009538-45	Swivel Washer
4	011429-45	Swivel Sleeves (2)
5	001074-45	O-Ring
6	014200-45	Star Washer, Anti-Rotation
7	018506-19NS	Blue Button Index, Press-in
8	B-WH4-NS	Wrist Action Handle (New Style)
9	B-WH4C-NS	Wrist Action Handle, Blue Index & Screw
10	012442-40NS	Quarter-Turn Eterna Cartridge w/ Spring Check, LTC
11	001000-45	Rosette Washer
12	002954-45	Shank Lock Nut
13	000958-20	Coupling Nut
14	012443-40NS	Quarter-Turn Eterna Cartridge w/ Spring Check, RTC
15	B-WH4H-NS	Wrist Action Handle, Red Index & Screw
16	VRS-2	VR Wrist Action Handle Screw (2) w/ Spanner Bit
17	001193-19NS	Red Button Index, Press-in



015425-45
VR Aerator Key



014075-45
#10 Spanner Bit

Product Specifications:
4" Centerset Deck Mount Mixing Faucet, Quarter-Turn Eterna Cartridges w/ Spring Checks, 4" Wrist Action Handles w/ VR Screws, 2 7/8" Swivel Gooseneck, 0.5 GPM VR Non-Aerated Spray Device & 1/2" NPSM Male Inlets

Product Compliance:
ASME A112.18.1 / CSA B125.1
NSF 61 - Section 9
NSF 372 (Low Lead Content)
ANSI A117.1 (ADA)



McGuire Manufacturing Co., Inc.

60 Grandview Court
 P.O. Box 746 • Cheshire, CT 06410
 203-699-1801 • Fax: 203-699-1813
 www.mcguiremfg.com

PRODUCT SPECIFICATION

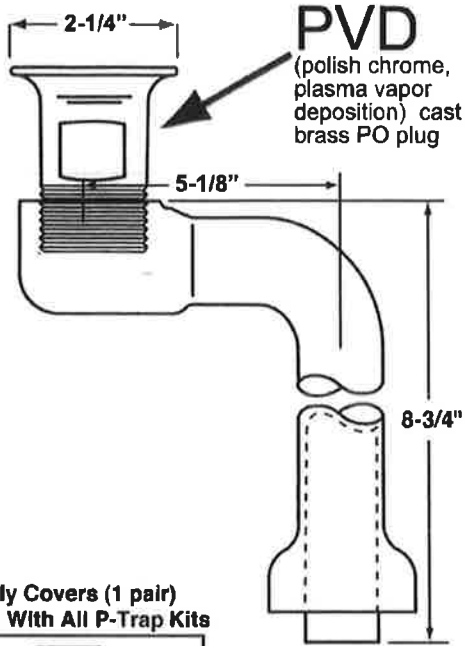
Part No.

PW2125HDWC

Seamless PreWrapped Cast
 P-Trap Insulation Kit with
 PreWrapped HD Offset PO Plug

Job Name:

Submittal Number:



Insulation Material Specifications

MATERIAL... Molded closed cell vinyl (ANTI-MICROBIAL)

DUROMETER... 70 shore A

COLOR... Glossy White

BURNING CHARACTERISTICS...

ASTM D 635: Less than 5 sec (ATB) 10mm (AEB)

HEAT RESISTANCE...

ASTM C 177: BTU - in/hr - ft 2 - °F KValue = 1.02

FUNGAL RESISTANCE...

ASTM G - 21: (Rating*) 0 fungal growth measured

ASTM G - 22: (Rating*) 0 bacterial growth measured

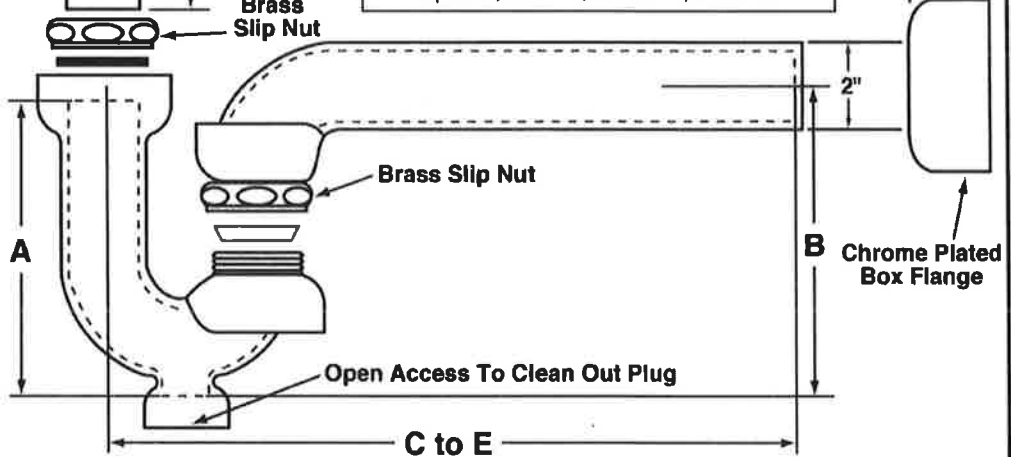
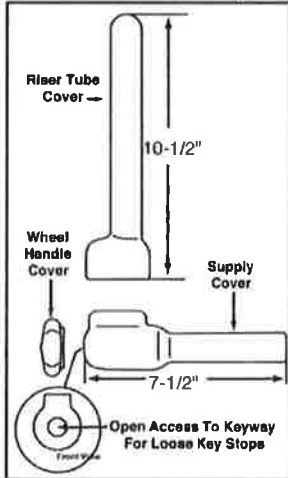
*ASTM Rating - Observed Growth on Specimens

- 0 None
- 1 Traces of Growth (less than 10%)
- 2 Light Growth (10-30%)
- 3 Medium Growth (30-60%)
- 4 Heavy Growth (60%-complete coverage)

Environmental Controls:

Paper - 4, Cork - 1, Cotton - 4, Glass - 0

Supply Covers (1 pair)
 Included With All P-Trap Kits



ROUGHING MEASUREMENTS

NO.	P-TRAP DIMENSIONS	A	B
PW2125HDWC	1-1/4" - 17 G.A. - 11" C to E	5"	4-1/2"

PROWRAP®



• Rated Operating Temperature: 40-140°F

• Note: 180°F max. during temporary high-temperature system flush

MADE IN USA
 U.S. PATENT
 5,341,830 5,586,568
 5,904,175 5,911,237
 5,795,623 5,678,598

See options and accessories section for details on product variations.

Specifications:

Seamless prewrapped adjustable cast brass P-Trap kit with prewrapped offset HD (heavy duty) PVD (polish chrome, plasma vapor deposition) cast brass PO plug with overflow. Furnished with McGuire cast brass P-T. rap with cleanout, offset grid assembly, seamless riser tube covers, supply angle stop wheel handle covers, and chrome plated box flange.

WARNING:

This product can expose you to chemicals including lead, which is known to the State of California to cause cancer, and birth defects or other reproductive harm. For more information go to www.P05Warnings.ca.gov

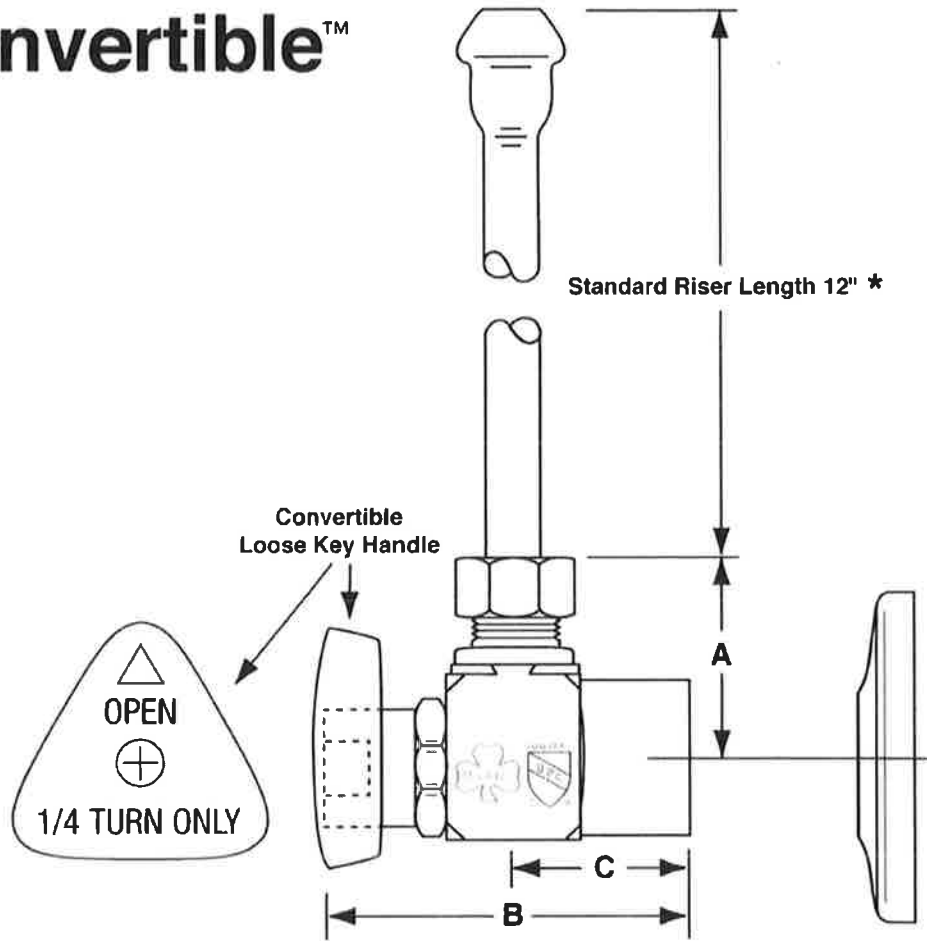


McGuire Manufacturing Co., Inc.
 60 Grandview Court
 Cheshire, Connecticut 06410
 (203) 699-1801 Fax (203) 699-1813
 customerservice@mcguiremfg.com mcguiremfg.com
PRODUCT SPECIFICATION

Part No.
LFBV2165
**Quarter-Turn Brass
 Ball Valve Lavatory Supply**

Job Name: _____ **Submittal Number:** _____

Convertible™



NO.	DESCRIPTION	ROUGHING MEASUREMENTS		
		A	B	C
LFBV2165	1/2" I.P.S. x 3/8" O.D.	1-3/16"	2-3/16"	1"



* See options and accessories section for details on product variations.

Specifications:

Supply kits shall include lead free chrome plated, commercial pattern Quarter-Turn Brass Ball Valve with convertible loose key handle, (chrome plated copper or braided stainless risers) and (shallow, deep, bell) (steel or brass) or (forged brass with set screw) flange. Inlet shall be (1/2) inch (IPS, sweat, compression). Outlet shall be (3/8) inch (compression). Supply kit shall be McGuire _____ Supply kit shall be certified by recognized authority and bear manufacturer and testing mark.

! WARNING:

This product can expose you to chemicals including lead, which is known to the State of California to cause cancer and birth defects or other reproductive harm. For more information go to www.P65Warnings.ca.gov

SH-1



Accessible Showers

OPEN TOP GELCOAT OR SOLID SURFACE

AQUARIUS BATHWARE™

G 4837 SH 1S

OD: 48" x 37" x 78"

Weight: 155

Load Factor: 1.06

Handed By: Seat L/R

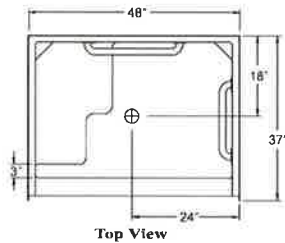
This unit complies with ANSI Z124.2, ASTM F462, ASTM E84, UPC, SBCCI, NAHB.

Warranty: Gelcoat models have a 3 year limited warranty. Acrylic models have a 5 year limited warranty. Pumps, parts, and accessories 1 year limited warranty. For further details please refer to the complete warranty section.

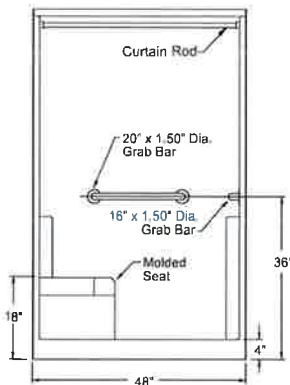
Due to the nature of the materials, dimensions may vary +/- 1/2".



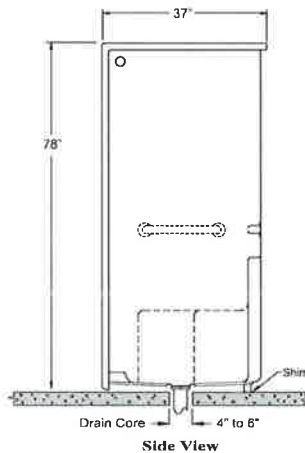
Photograph Illustrates Package One - Handed by Seat L/R.



Top View



Front View



Side View

FRAMING DIMENSIONS

A	B	C	D
48 1/4"	37"	18"	19"

* Refer to pages 67 & 68 to view corresponding framing detail.

PKG ONE - ACCESSIBLE: G 4837 SH 1S

- 4" Threshold
- Handed by Seat L/R
- Shim
- White Polyester Gelcoat Finish

Factory Installed Accessories (Valve not included):

- S-Bar - 16" x 1.5" Smooth SS
- S-Bar - 20" x 1.5" Smooth SS
- Molded 18" H Seat
- 1" OD 18 Gauge SS Curtain Rod with Rod Cups

BUILD TO ORDER BASE PLUS ACCESSORIES

BASE UNIT 1: G 4837 SH 1S

- Specify Threshold Height
- Handed by Seat L/R
- Shim
- Reinforced for Standard Accessories

BASE UNIT OPTIONAL ACCESSORIES

Standard Finish - Polyester Gelcoat:

- White
- Bone
- Biscuit

Premium Finish - CenturyStone™ Solid Surface:

- Solid - White, Bone or Biscuit
- Natural - Granite Finishes

Grab Bars

- S-Bar - 16" x 1.5" Smooth SS
- S-Bar - 16" x 1.25" Smooth White CC
- S-Bar - 16" x 1.25" Peened SS
- S-Bar - 20" x 1.5" Smooth SS
- S-Bar - 20" x 1.25" Smooth White CC
- S-Bar - 20" x 1.25" Peened SS

Factory Modifications

- Valve Drilling - Specify Hole Size
- Nurse Call Box Drilling - Specify Location
- 3.25" Threshold
- Wood Reinforcement for HUD
- Full Wood Reinforcement
- ArmorShield P3 Protection
- Install 30" Slide Bar / HS Kit
- Install SS Soap Dish - Recessed
- Install Standard Symmons Valve Package
- 1" OD 18 Gauge SS Curtain Rod with Rod Cups
- 1" OD 18 Gauge White Curtain Rod with Rod Cups
- Curtain Rod U-Cup Holder - Pair

Field Installed Accessories (Shipped Loose)

- No Caulk Drain - Chrome
- Curtain - Premium 54" x 72" White Nylon Weighted
- Curtain - Heavy Duty 54" x 72" White Vinyl Weighted

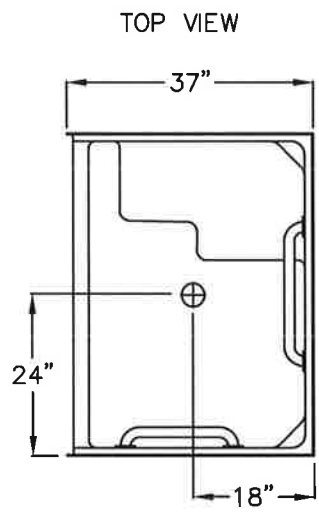
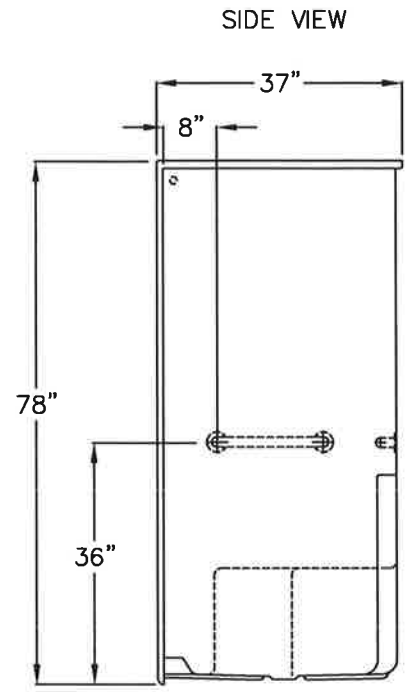
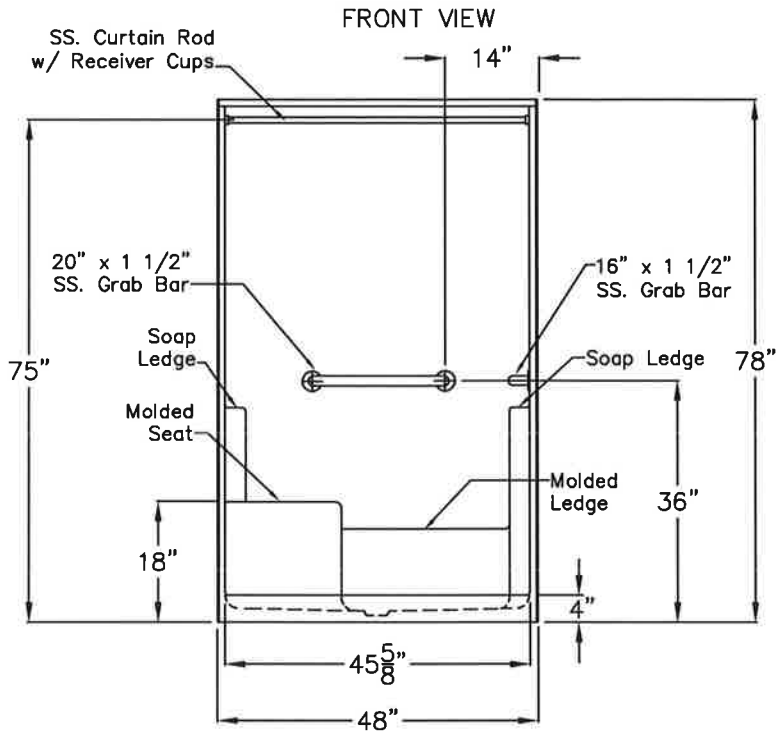
rev. 100110



HDPE (high density polyethylene) seats used by Praxis Companies, LLC contain recycled materials.

Special Needs Series

SUBMITTAL DATA



Accessible Shower Stall

The shower enclosure shall be Aquarius model G 4837 BF 1S right or left. Finished surface shall be of a sanitary grade applied acrylic. The base shall be attached to the sump of the unit in such a manner to form an integral part with an inner and outer coating of polyester resin.

The unit shall have outside dimensions of 48" x 37" x 78". Unit complies with UPC, CSA B45.5, HUD-UM73, ANSI Z124.1.2 and Home Innovation Research Lab.

The enclosure shall be equipped with the following installed accessories:

- 1) One 20" x 1 1/2" diameter stainless steel grab bar horizontal on the back wall,
- 2) One 16" x 1 1/2" diameter stainless steel grab bar horizontal on the valve side wall, both with 1 1/2" statute clearance, mounted from the rear with stainless steel bolts, and 3" x 3" x 11 gauge metal mounting plates,
- 3) One inch diameter stainless steel curtain rod with receiver cups,
- 4) Molded seat,
- 5) Molded ledges,
- 6) 4.0" Threshold.

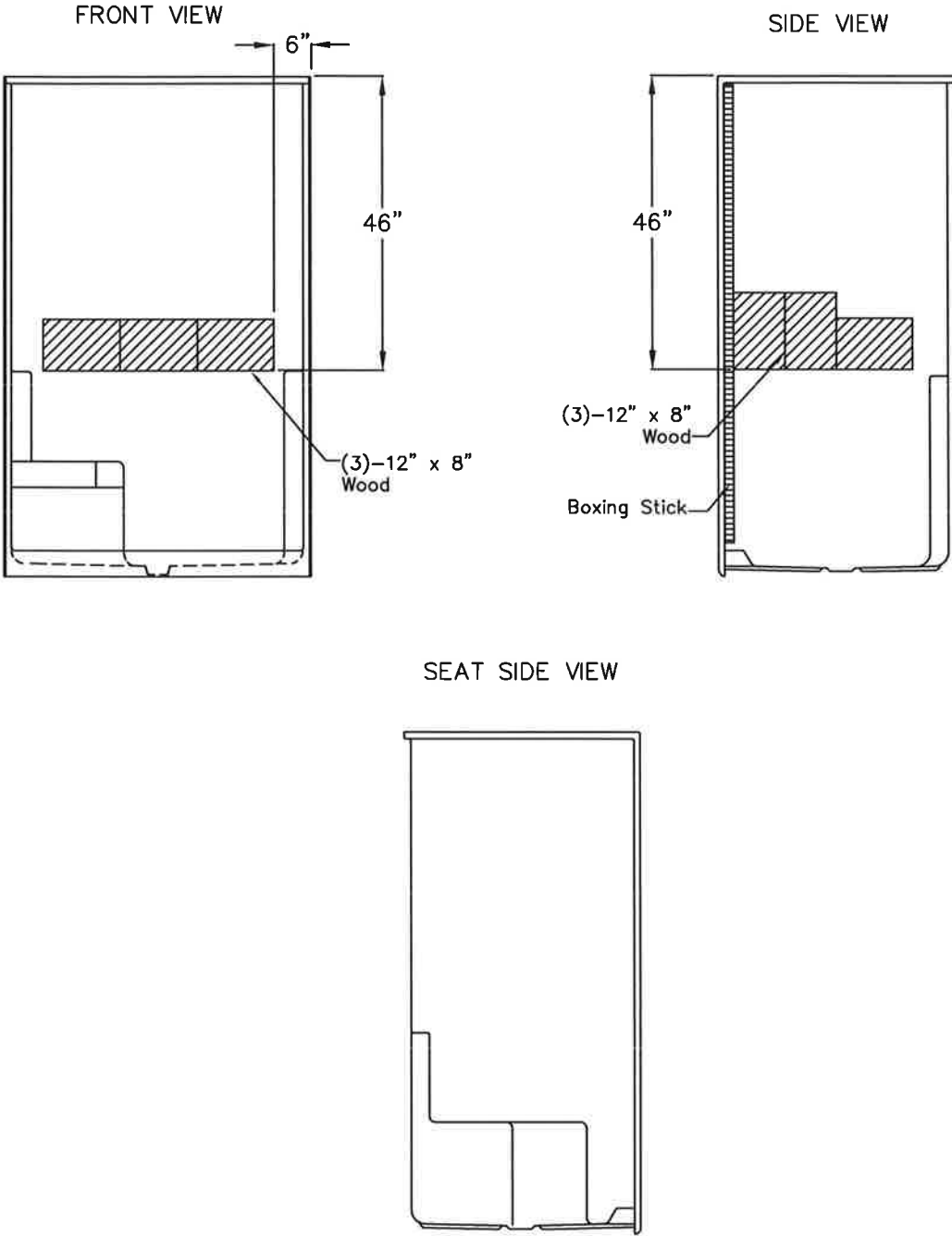
Available Options: 7) vertical grab bar, 8) recessed soap dish, 9) Nurses call box drilling, 10) Valve package with hand shower.

DUE TO THE NATURE OF THE MATERIALS DIMENSIONS MAY VARY ± 1/2"

Job Name:	AQUARIUS
Approved By Print Name:	Drawing#: G4837 SH 1S 4.0 MS HBW HSW CR
Approved By Signature:	Date: 4-18-98 Revised: 10-13-16
Rep.:	Wholesaler:
	Quote No.:

PRAXIS INDUSTRIES, LLC.
435 INDUSTRIAL RD - SAVANNAH, TN 38372
1 (800) 443-7269 - FAX (731) 925-7656

Board Placement SUBMITTAL DATA



Job Name:	AQUARIUS
Approved by Print Name:	Drawing#: G4837 SH 1S 4.0 MS HBW HSW CR-BP
Approved by Signature:	Date: 6-9-00 Revised: 10-13-16
Rep.:	Quote No.:
Wholesaler:	

PRAXIS INDUSTRIES, LLC.
435 INDUSTRIAL RD - SAVANNAH, TN 38372
1 (800) 443-7269 - FAX (731) 925-4290

AQUATROL® COMBINATIONS

4505



4500 AQUATROL® Pressure Actuated Mixer

- Durable stainless steel balancing piston to equalize hot and cold supply pressures.
- Built-in shutoff for single handle operation
- Removable one piece upper and lower valve seat
- Internal parts of bronze and stainless steel
- Cast wall flange and lever handle, polished chrome plated
- Maximum operating pressure: 125 PSIG (860KPA)
- Adjustable high temperature limit stop set for 110°F* (43°C)
- Color coded dial, Off through Hot, with directional indicators
- Angle checkstops, copper tube connection
- Plasterguard/thin wall mounting bracket included.
- H-05 ABS shower head, brass ball joint adjustable spray, arm and flange, 2.5 GPM, (9.5l/min)
- D2L Inline diverter valve with lever handle 1/2" copper tube connections.
- 501P(G) 24" glide rail, 2.5 GPM (9.5 l/min) max flow rate
- Double check valve assembly

Valve is ASSE · 1016 Certified
Valve is CSA · B.125-05 Certified

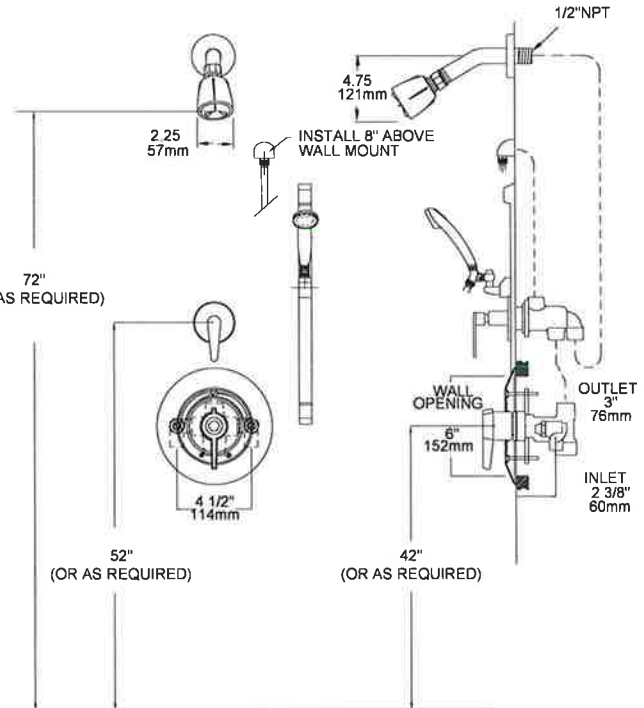


OPTIONS:

- ___ SUFFIX H-03 large brass ball joint shower head in place of H-05
- ___ SUFFIX H-15 adjustable spray ball joint massage shower head 1.5GPM (5.7 l/min.) high-impact ABS body chrome plated
- ___ SUFFIX H-06 Institutional shower head in place of H-05
- ___ SUFFIX H-06-1.5 Institutional shower head 1.5GPM (5.7 l/min.) in place of H-05
- ___ SUFFIX AP Anchor plate with screws for H-06
- ___ SUFFIX 501P(G)-30 30" glide rail in place of 24" glide rail on 501P(G)
- ___ SUFFIX 515P(G) 1.5GPM (5.7 l/min.) 24" glide rail in place of 501P(G)
- ___ SUFFIX 515P(G)-30 1.5GPM (5.7 l/min.) 30" glide rail in place of 501P(G)
- ___ SUFFIX RV Reinforced vinyl hose on hand shower
- ___ SUFFIX QD Quick disconnect on hand shower

Note: Leonard Valve Company reserves the right of product, or design modifications without notice or obligation.

Engineer's Approval	Job # _____
	Arch/Eng. _____
	Contractor _____



WARNING: This product can expose you to chemicals including lead, which is known to the State of California to cause cancer. For more information, go to www.P65Warnings.ca.gov



2" Quick Set Shower Drain

For Fiberglass Shower Stalls

- Internal locknut and gasket for 2" DWV
- Brass body and locknut
- Stainless steel strainer



PART NUMBER	PIPE SIZE
7980	2"
7980-G	2"

Brass Utility Drain

- Brass body
- Stainless steel strainer



PART NUMBER	IPS
1170	1-1/2"
1171	2"

Bell Traps

- Protected with TechCoat Finish



Complete Bell Trap

PART NUMBER	DESCRIPTION
76302	6" x 6" x 2" No-Hub

Strainer Only

PART NUMBER	DESCRIPTION
76412	4-7/8" for 6" x 6"