

Quality People. Building Solutions.

Comfort Systems USA (Arkansas), Inc.
P.O. Box 16620
Little Rock, AR 72231
Phone 501-834-3320
Fax 501-834-5416

Date: 5/17/2024
Return Request: 5/27/2024
Project: CALS Main Library Renovations
Supplier: Sanders Supply
Manufacturer: Various
Submittal: Commercial Sinks
Submittal Number: 22 42 16.16-01
Drawing # and Installation: Plumbing Drawings

ARCHITECT

Polk Stanley Wilcox
801 South Spring St.
Little Rock, AR 72201
501-378-0878

ENGINEER

Bernhard
1 Allied Drive, Bldg. 2, Suite 2600
Little Rock, AR 72202
501-666-6776

GENERAL CONTRACTOR

CDI
3000 Cantrell Rd.
Little Rock, AR 72202
501-5666-4300

MECHANICAL SUBCONTRACTOR

Comfort Systems USA (Arkansas), Inc.
9924 Landers Rd.
N. Little Rock, AR 72117
501-834-3320

Notes:

CSUSA PROJECT NO.

23-8016

dpierce@comfortar.com

9924 Landers Rd.
No. Little Rock, AR 72117

S-1

PRODUCT SPECIFICATIONS

Elkay Lustertone[®] Classic Stainless Steel, 21-1/2" x 18-1/2" x 5-3/8" Single Bowl Undermount ADA Sink. Sink is manufactured from 18 gauge 304 Stainless Steel with a Lustrous Satin finish, Rear Center drain placement, and Bottom only pads.

Installation Type:	Undermount
Material:	304 Stainless Steel
Finish:	Lustrous Satin
Gauge:	18
Sound Deadening:	Bottom only pads
Number of Bowls:	1
Sink Dimensions:	21-1/2" x 18-1/2" x 5-3/8"
Bowl 1 Dimensions:	19" x 16" x 5-3/8"
Drain Size:	3-1/2" (89mm)
Drain Location:	Rear Center
Minimum Cabinet Size:	27"
Mounting Hardware:	Undermount brackets sold separately
Template Included:	Yes
Cutout Template #:	1000001424

Template is available for download at [elkay.com](#). CAD software will be required to open the template.

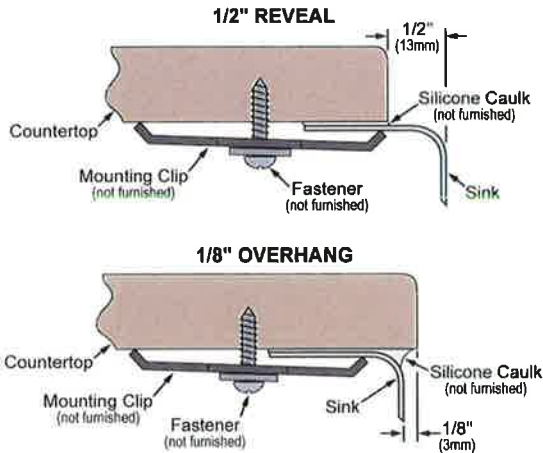


A Century of Tradition and Quality. For more than 100 years, Elkay has been making innovative products and providing exceptional customer care. We take pride in offering plumbing products that make life easier, inspire change and leave the world a better place.



Product Compliance: ADA & ICC A117.1
ASME A112.19.3/CSA B45.4

Installation Profile:



Designed to affix to the underside of any solid surface countertop.



Sinks are listed by IAPMO[®] as meeting the applicable requirements of the Uniform Plumbing Code[®], International Plumbing Code[®], and National Plumbing Code of Canada.



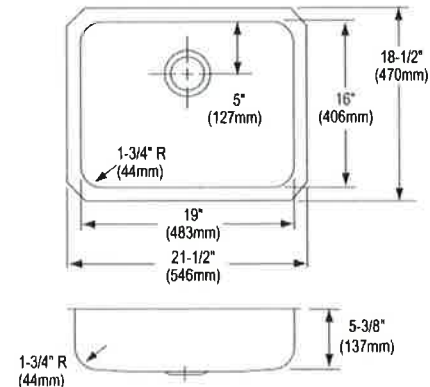
Complies with ADA & ICC A117.1 accessibility requirements when installed according to the requirements outlined in these standards.

[Clean and Care Manual \(PDF\)](#)

[Installation Instructions \(PDF\) - 1000005239](#)

[Warranty \(PDF\)](#)

Similar models are available with: 4-1/2" and 5" depths



PART: _____ QTY: _____

PROJECT: _____

CONTACT: _____

DATE: _____

NOTES: _____

APPROVAL: _____

In keeping with our policy of continuing product improvement, Elkay reserves the right to change product specifications without notice. Please visit [elkay.com](#) for the most current version of Elkay product specification sheets. This specification describes an Elkay product with design, quality, and functional benefits to the user. When making a comparison of other producers' offerings, be certain these features are not overlooked.



see what Delta can do™

KITCHEN FAUCETS

- Antoni™ Collection
- Single Handle Pull-Down

FEATURES:

- Touch-Clean® Technology
- DIAMOND Seal® Technology
- MagnaTite® Docking System

STANDARD SPECIFICATIONS:

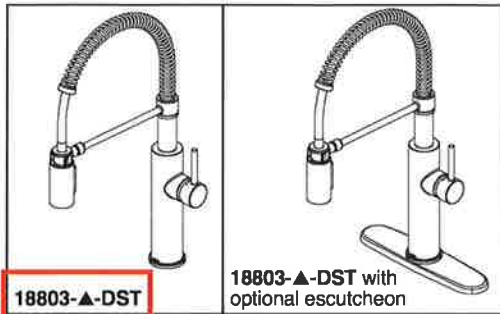
- Max flow rate 1.8 gpm @ 60 psi, 6.8 L/min @ 414 kPa
- One or three hole mount (escutcheon optional, included)
- Diamond coated ceramic cartridge
- 3/8" O.D. straight, staggered PEX supply lines
- Spout rotates 360°
- Hot/cold indicator markings
- Dual integral check valves in sprayer assembly
- Two-function wand; Aerated stream or spray.

WARRANTY

- Parts and Finish - Lifetime limited warranty; or for commercial purchasers, 10 years for multi-family residential (apartments and condominiums) and 5 years for all other commercial uses, in each case from the date of purchase.
- Electronic Parts and Batteries (if applicable) - 5 years from the date of purchase; or for commercial purchasers, 1 year from the date of purchase. No warranty is provided on batteries.

COMPLIES WITH:

- ASME A112.18.1 / CSA B125.1
- ASME A112.18.6
- ☑ Indicates compliance to ICC/ANSI A117.1
- Verified compliant with .25% weighted average Pb content regulations.

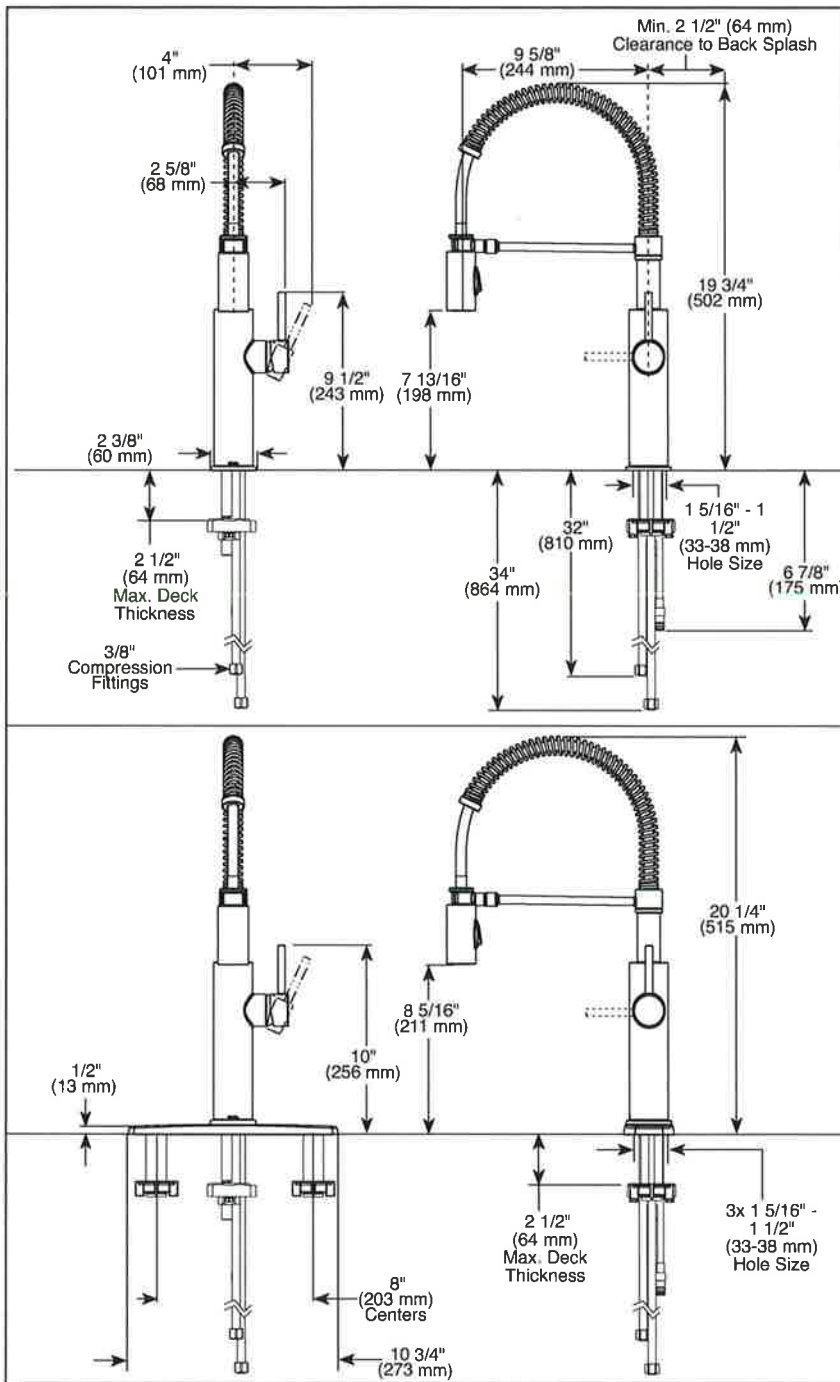


18803-▲-DST

18803-▲-DST with optional escutcheon

Submitted Model No.:

Specific Features:



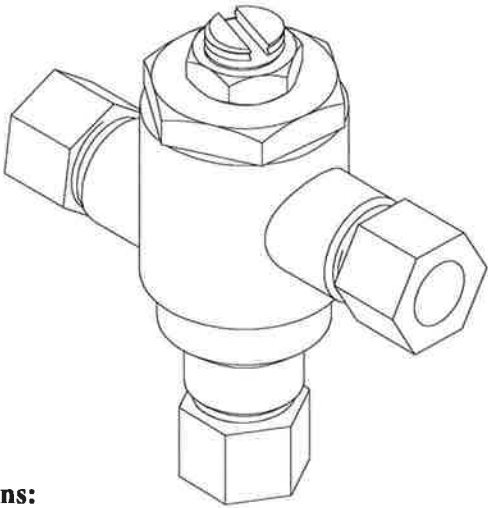
▲ Designate proper finish suffix

Delta reserves the right (1) to make changes in specifications and materials, and (2) to change or discontinue models, both without notice or obligation. Dimensions are for reference only. See current full-line price book or www.deltafaucet.com for finish options and product availability.

Delta Faucet Company

55 E. 111th Street, Indianapolis, IN 46280
 350 South Edgeware Road, St. Thomas, ON N5P 4L1
 © 2020 Delta Faucet Company

170A-LF



Application:

The Model 170A-LF is a high performance thermostatic temperature limiting device used to supply single outlets. Can be used to supply one sensor faucet or one two handle manual faucet.

Features:

- Certified to ASSE 1070 to control down to 0.25 GPM
- Eco-Mix Certified Lead-Free* construction
- Integral inlet checks and stainless steel screens
- Vandal resistant locknut to prevent accidental adjustment
- Easy 3/8" tubing or flex hose installation

Specifications:

- Minimum flow: 0.25 GPM (0.95 l/Min) Certified to ASSE
- Maximum flow: 4 GPM
- Maximum pressure: 125 PSI (8.6 BAR)
- Maximum hot water temperature: 180°F (82°C)
- Hot water inlet temperature range: 120-180°F (49-82°C)
- Cold water inlet temperature range: 33-80°F (1-27°C)
- Temperature adjustment range: 95-120°F (35-49°C)

Certifications:

ASSE 1070-2015



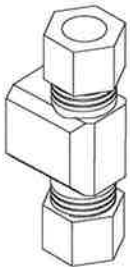
CSA B125.70-15



Certified to NSF61 thru the ASSE 1070 testing process

Options:

- STSTL REC- Stainless steel cabinet, #4 finish, recessed
- STSTL EXP- Stainless steel cabinet, #4 finish, exposed
- BWE REC- Steel cabinet, baked white, recessed
- BWE EXP- Steel cabinet, baked white, exposed
- BP- Cold water By-Pass (shipped loose)
- BRKT- mounting bracket (shipped loose)
- CP- Chrome plated finish



BP option



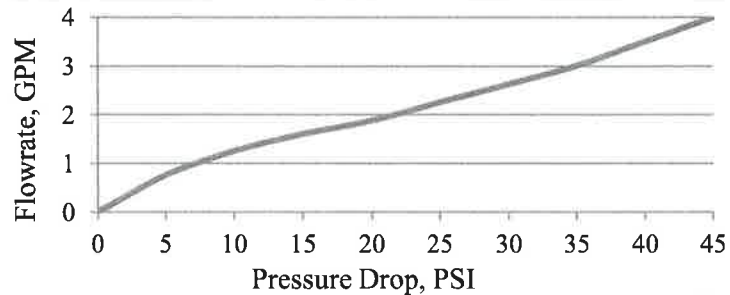
BRKT option



WARNING: This product can expose you to chemicals including lead, which is known to the State of California to cause cancer. For more information, go to www.P66.Material.com

* This product is certified to meet Low Lead requirements of wetted surface area containing less than 0.25% lead by weight

PRESSURE DROP							
5	10	15	20	30	45		PSI
.35	.70	1.05	1.4	2.1	3.1		BAR
0.75	1.25	1.6	1.88	2.63	4		GPM
2.84	4.73	6.06	7.1	10	15		L/MIN



1360 Elmwood Avenue, Cranston, RI 02910 USA

Phone: 401.461.1200 Fax: 401.941.5310

Email: info@leonardvalve.com

Web Site: <http://www.leonardvalve.com>

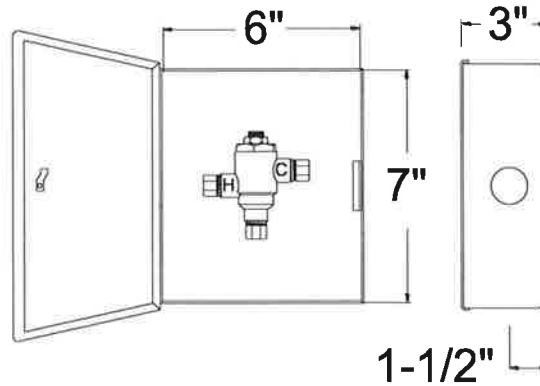
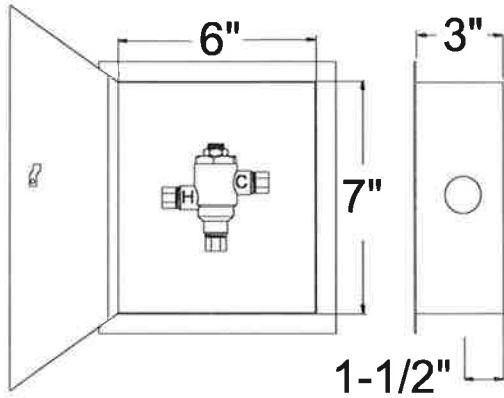
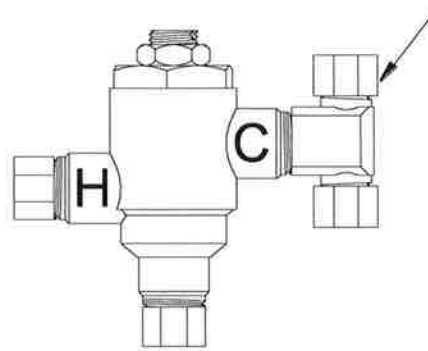
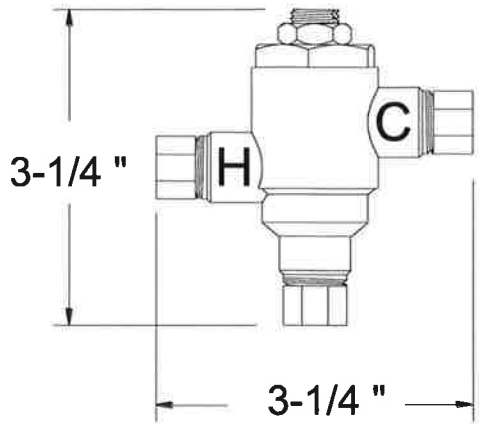
Engineer's Approval

Job # _____

Arch/Eng. _____

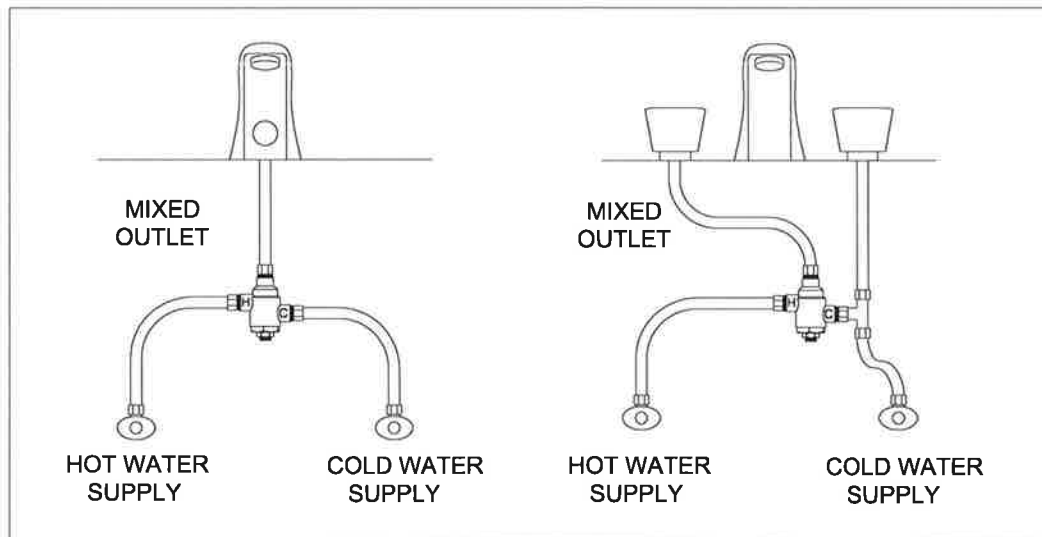
Contractor _____

BP-OPTION



170A-LF-REC

170A-LF-EXP



170A-LF

170A-LF-BP



Note: Leonard Valve Company reserves the right of product, or design modifications without notice or obligation.

1360 Elmwood Avenue, Cranston, RI 02910 USA

Phone: 401.461.1200 Fax: 401.941.5310

© 2020 Leonard Valve Company

Email: info@leonardvalve.com

Printed in USA

Web Site: <http://www.leonardvalve.com>

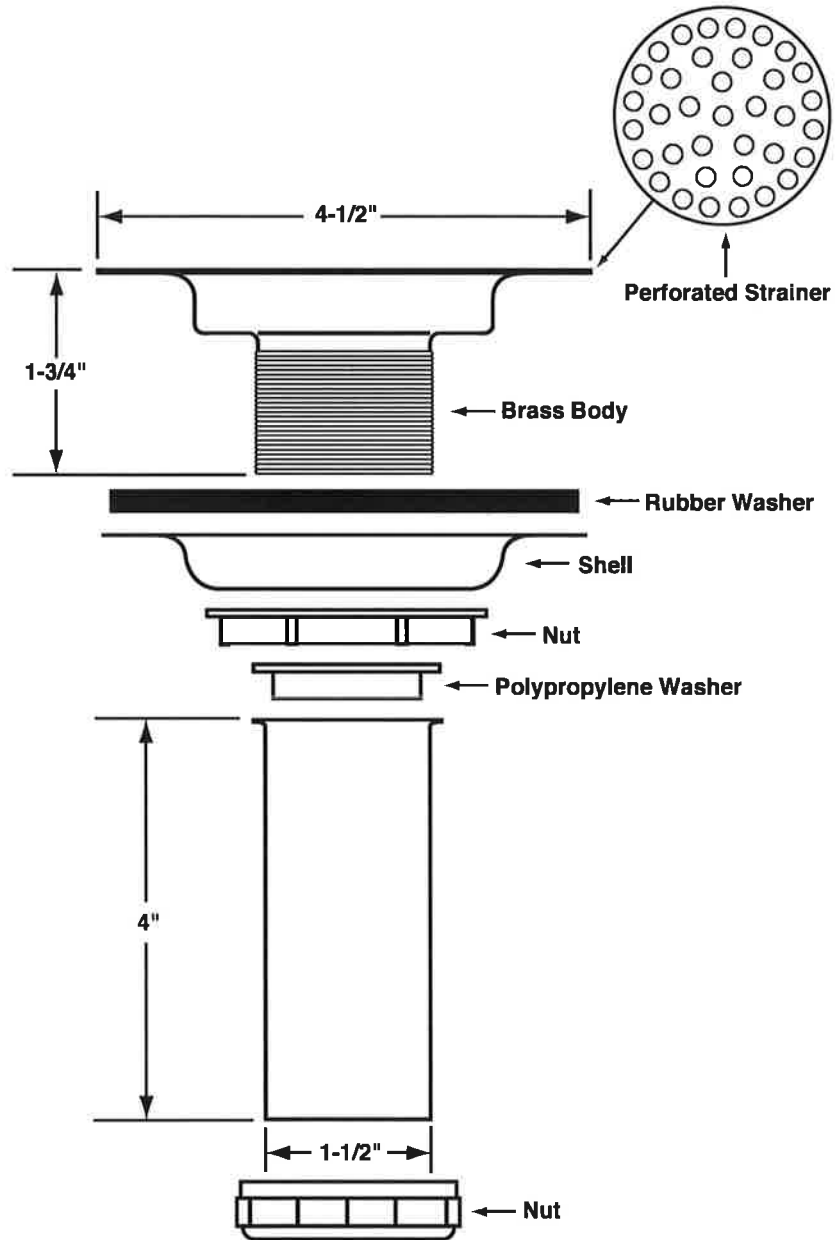


McGuire Manufacturing Co., Inc.
60 Grandview Court
P.O. Box 746 ♣ Cheshire, CT 06410
203-699-1801 ♣ Fax: 203-699-1813
www.mcguiremfg.com
PRODUCT SPECIFICATION

Part No.
152
Wide Top Sink Strainer

Job Name:

Submittal Number:



See options and accessories section for details on product variations.

Specifications:

Wrought Brass Chrome Plated Wide Top Sink Strainer with 1-1/2" x 4" seamless brass tailpiece.
Fits sink thickness up to 3/4 inch.



McGuire Manufacturing Co., Inc.

60 Grandview Court
 Cheshire, Connecticut 06410
 (203) 699-1801 Fax (203) 699-1813
 customerservice@mcguiremfg.com mcguiremfg.com

PRODUCT SPECIFICATION

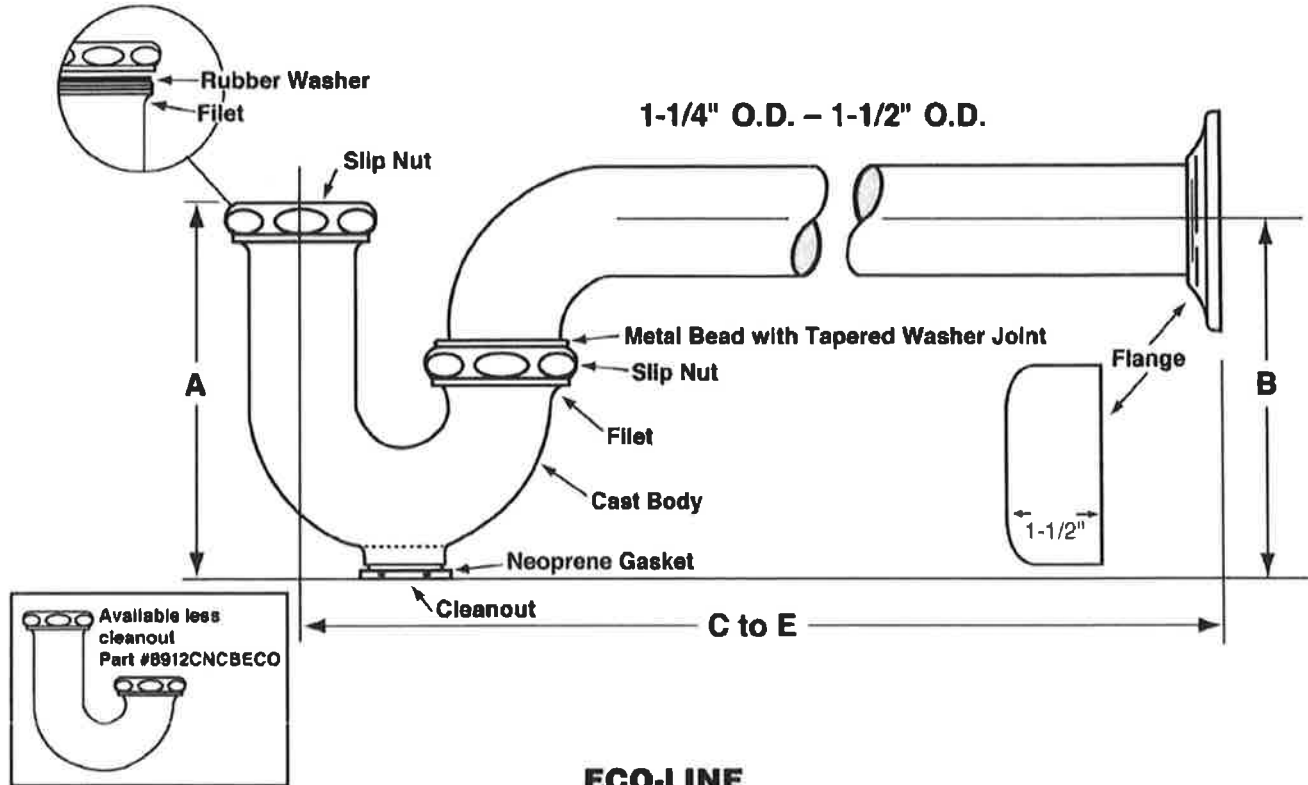
Part No.

C8912CECO

**Cast Body P-Trap With
 or Without Cleanout**

Job Name:

Submittal Number:



ECO-LINE

ROUGHING MEASUREMENTS

MODEL NO.	TRAP DIMENSIONS		A	B	C to E	FLANGE	SLIP NUT
	INLET	OUTLET					
C8912CECO	1-1/2", 1-1/4"	1-1/2"	5"	5"	10-1/2"	Shallow	Zinc

**FED SPEC W.W.P. 541
 CAST BRASS P-TRAP
 MINIMUM SEAL 2"**



ASME A112.18.2/CSA B125.2

Specifications:

Chrome plated P-Trap shall be cast brass body, with or without cleanout, with 17 gauge seamless tubular wall bend and flange.



WARNING:

This product can expose you to chemicals including lead, which is known to the State of California to cause cancer, and birth defects or other reproductive harm. For more information go to www.P65Warnings.ca.gov.



McGuire Manufacturing Co., Inc.

60 Grandview Court
P.O. Box 746 • Cheshire, CT 06410
203-699-1801 • Fax: 203-699-1813
www.mcguiremfg.com

PRODUCT SPECIFICATION

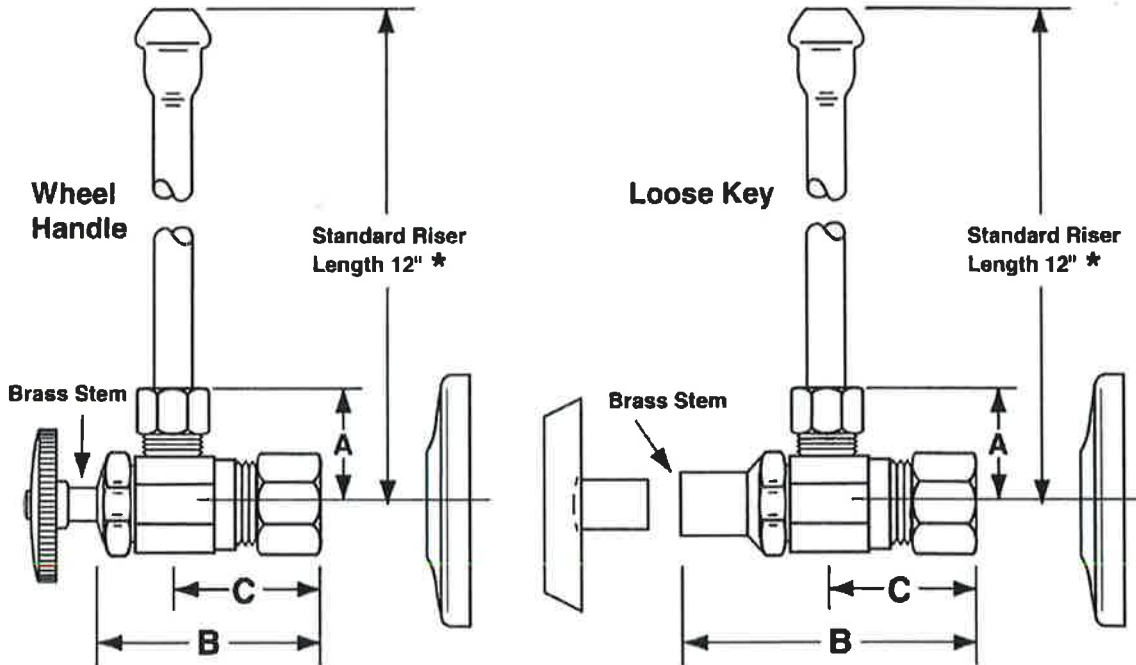
Part No.

LF2165CC, **LF2165CCLK**,
LF2167CC, LF2167CCLK

**Compression x Compression
Lavatory Supply**

Job Name: _____

Submittal Number: _____



NO.	DESCRIPTION	ROUGHING MEASUREMENTS		
		A	B	C
LF2165CC	1/2" Nominal x 3/8" O.D.	1"	1-3/4"	1"
LF2165CCLK	1/2" Nominal x 3/8" O.D.	1"	2-3/8"	1"
LF2167CC	1/2" Nominal x 1/2" O.D.	1"	1-3/4"	1-1/4"
LF2167CCLK	1/2" Nominal x 1/2" O.D.	1"	2-3/8"	1-1/4"

LK designates Loose Key

* See options and accessories section for details on product variations.



Specifications:

Supply kit shall include low lead chrome plated supply brass stop valves with full turn brass stem, no plastic, (12, 15, 20) inch chrome plated risers and (shallow, deep, bell) (steel, brass) or (forged brass with set screw) flange. Inlet shall be (3/8, 1/2) inch IPS. Outlet shall be (3/8, 1/2) inch (IPS, compression). Supply kit shall be McGuire _____. Supply kit shall be low lead certified by recognized authority and bear manufacturer and testing mark.

S-2

PRODUCT SPECIFICATIONS

Elkay Lustertone[®] Classic Stainless Steel, 30-3/4" x 18-1/2" x 5-3/8" Equal Double Bowl Undermount ADA Sink. Sink is manufactured from 18 gauge 304 Stainless Steel with a Lustrous Satin finish, Rear Center drain placement, and Bottom only pads.

Installation Type:	Undermount
Material:	304 Stainless Steel
Finish:	Lustrous Satin
Gauge:	18
Sound Deadening:	Bottom only pads
Number of Bowls:	2
Sink Dimensions:	30-3/4" x 18-1/2" x 5-3/8"
Bowl 1 Dimensions:	13-1/2" x 16" x 5-3/8"
Bowl 2 Dimensions:	13-1/2" x 16" x 5-3/8"
Drain Size:	3-1/2" (89mm)
Drain Location:	Rear Center
Minimum Cabinet Size:	36"
Mounting Hardware:	Undermount brackets sold separately
Template Included:	Yes
Cutout Template #:	1000001312

Template is available for download at [elkay.com](#). CAD software will be required to open the template.

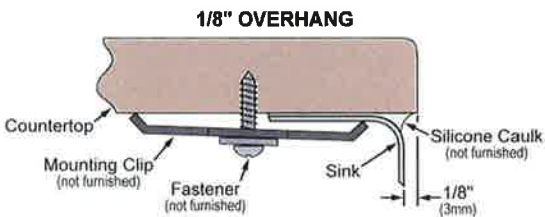
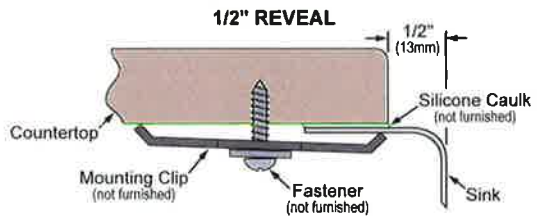


A Century of Tradition and Quality. For more than 100 years, Elkay has been making innovative products and providing exceptional customer care. We take pride in offering plumbing products that make life easier, inspire change and leave the world a better place.



Product Compliance: ADA & ICC A117.1
 ASME A112.19.3/CSA B45.4

Installation Profile:



Designed to affix to the underside of any solid surface countertop.



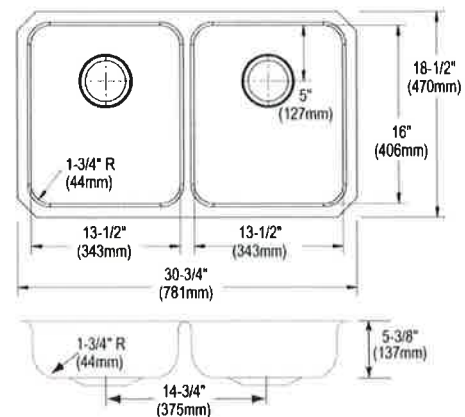
Sinks are listed by IAPMO[®] as meeting the applicable requirements of the Uniform Plumbing Code[®], International Plumbing Code[®], and National Plumbing Code of Canada.



Complies with ADA & ICC A117.1 accessibility requirements when installed according to the requirements outlined in these standards.

[Clean and Care Manual \(PDF\)](#)
[Installation Instructions \(PDF\) - 1000005239](#)
[Warranty \(PDF\)](#)

Similar models are available with: 4-1/2" and 5" depths, Perfect Drain



PART: _____ QTY: _____

PROJECT: _____

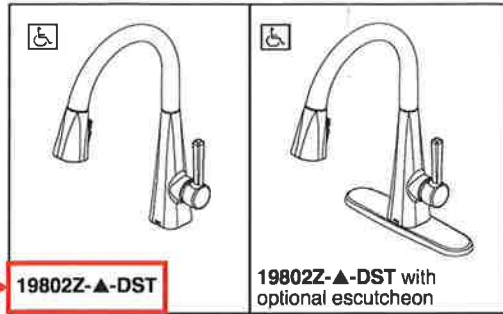
CONTACT: _____

DATE: _____

NOTES: _____

APPROVAL: _____

In keeping with our policy of continuing product improvement, Elkay reserves the right to change product specifications without notice. Please visit [elkay.com](#) for the most current version of Elkay product specification sheets. This specification describes an Elkay product with design, quality, and functional benefits to the user. When making a comparison of other producers' offerings, be certain these features are not overlooked.

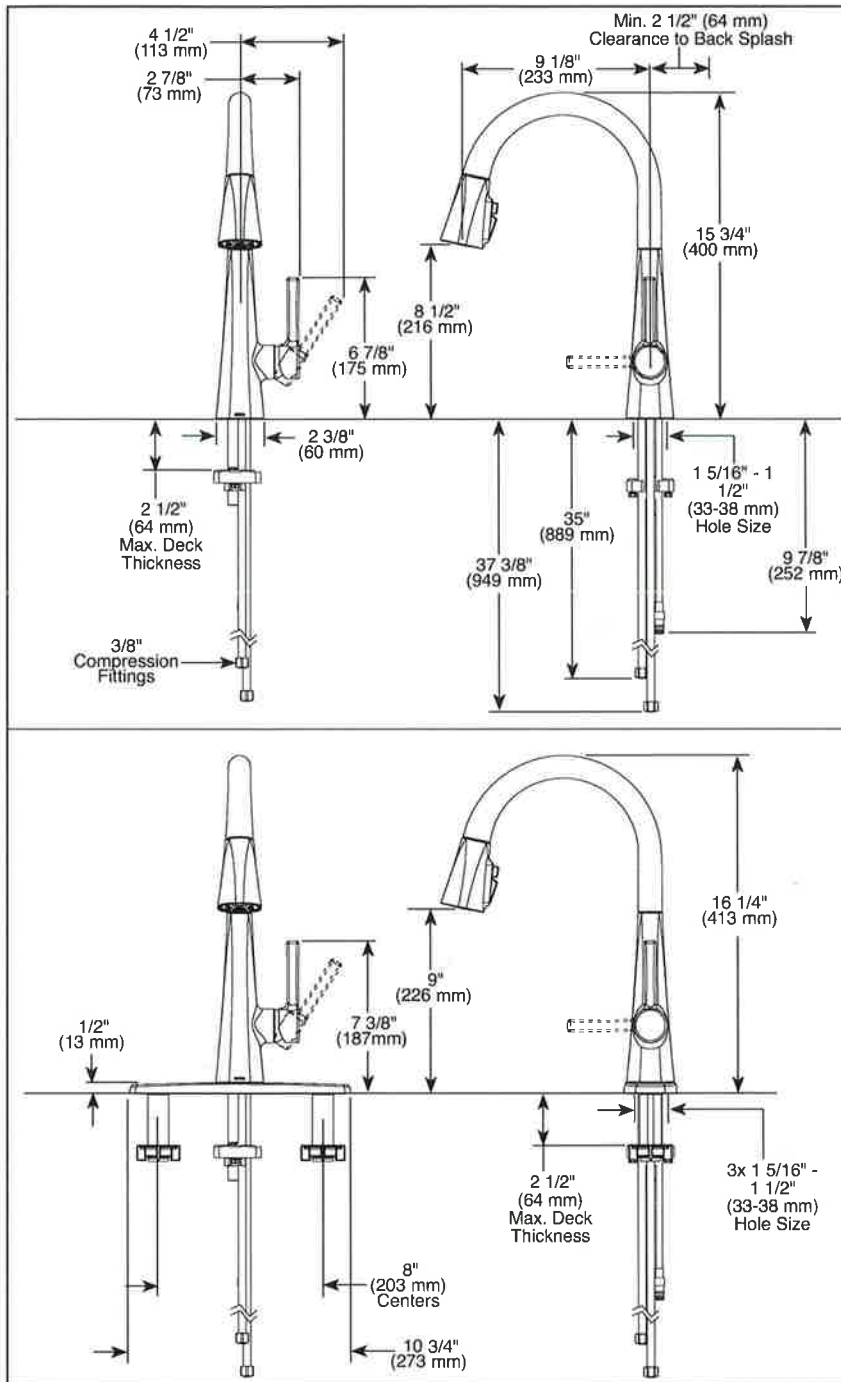


19802Z-▲-DST

19802Z-▲-DST with optional escutcheon

Submitted Model No.:

Specific Features:



▲ Designate proper finish suffix

Delta reserves the right (1) to make changes in specifications and materials, and (2) to change or discontinue models, both without notice or obligation. Dimensions are for reference only. See current full-line price book or www.deltafaucet.com for finish options and product availability.

DSP-K-19802Z-DST Rev. A



see what Delta can do™

KITCHEN FAUCETS

- Lenta™ Collection
- Single Handle Pull-Down

FEATURES:

- Touch-Clean® Technology
- DIAMOND Seal® Technology
- MagnaTite® Docking System
- 3-Function Pull-Down w/ShieldSpray™

STANDARD SPECIFICATIONS:

- Max flow rate 1.8 gpm @ 60 psi, 6.8 L/min @ 414 kPa
- One or three hole mount (escutcheon optional, included)
- Diamond coated ceramic cartridge
- 3/8" O.D. straight, staggered PEX supply lines
- Spout rotates 360°
- Hot/cold indicator markings
- Dual integral check valves in sprayer assembly
- Three-function wand; Aerated stream, spray or ShieldSpray™

WARRANTY

- Parts and Finish - Lifetime limited warranty; or for commercial purchasers, 10 years for multi-family residential (apartments and condominiums) and 5 years for all other commercial uses, in each case from the date of purchase.
- Electronic Parts and Batteries (if applicable) - 5 years from the date of purchase; or for commercial purchasers, 1 year from the date of purchase. No warranty is provided on batteries.

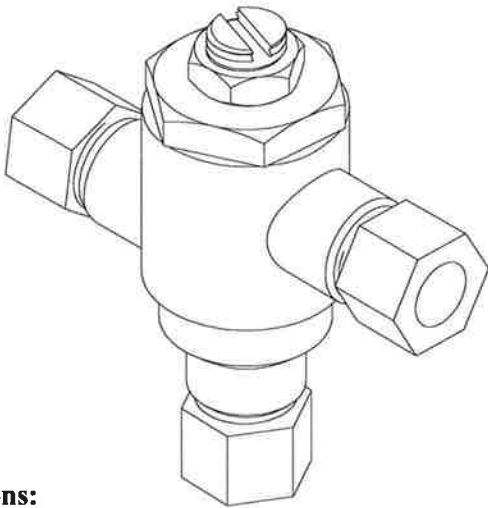
COMPLIES WITH:

- ASME A112.18.1 / CSA B125.1
- ASME A112.18.6
- Indicates compliance to ICC/ANSI A117.1
- Verified compliant with .25% weighted average Pb content regulations.

Delta Faucet Company

55 E 111th Street, Indianapolis, IN 46280
350 South Edgeware Road, St. Thomas, ON N5P 4L1
© 2019 Delta Faucet Company

170A-LF



Application:

The Model 170A-LF is a high performance thermostatic temperature limiting device used to supply single outlets. Can be used to supply one sensor faucet or one two handle manual faucet.


Features:

- Certified to ASSE 1070 to control down to 0.25 GPM
- Eco-Mix Certified Lead-Free* construction
- Integral inlet checks and stainless steel screens
- Vandal resistant locknut to prevent accidental adjustment
- Easy 3/8" tubing or flex hose installation

Specifications:

- Minimum flow: 0.25 GPM (0.95 l/Min) Certified to ASSE
- Maximum flow: 4 GPM
- Maximum pressure: 125 PSI (8.6 BAR)
- Maximum hot water temperature: 180°F (82°C)
- Hot water inlet temperature range: 120-180°F (49-82°C)
- Cold water inlet temperature range: 33-80°F (1-27°C)
- Temperature adjustment range: 95-120°F (35-49°C)

Certifications:

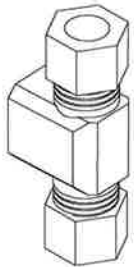
ASSE 1070-2015 

CSA B125.70-15 

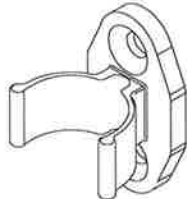
Certified to NSF61 thru the ASSE 1070 testing process

Options:

- STSTL REC- Stainless steel cabinet, #4 finish, recessed
- STSTL EXP- Stainless steel cabinet, #4 finish, exposed
- BWE REC- Steel cabinet, baked white, recessed
- BWE EXP- Steel cabinet, baked white, exposed
- BP- Cold water By-Pass (shipped loose)
- BRKT- mounting bracket (shipped loose)
- CP- Chrome plated finish



BP option



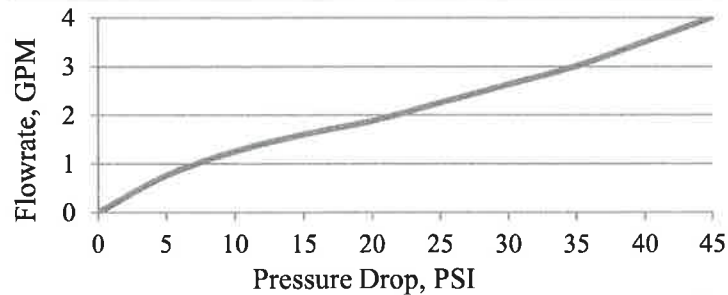
BRKT option



WARNING: This product can expose you to chemicals including lead, which is known to the State of California to cause cancer. For more information, go to www.P65Warnings.ca.gov

* This product is certified to meet Low Lead requirements of wetted surface area containing less than 0.25% lead by weight

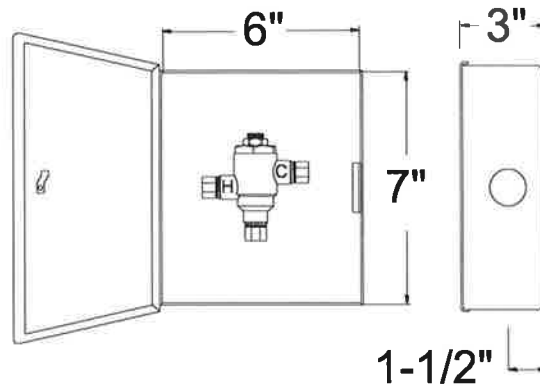
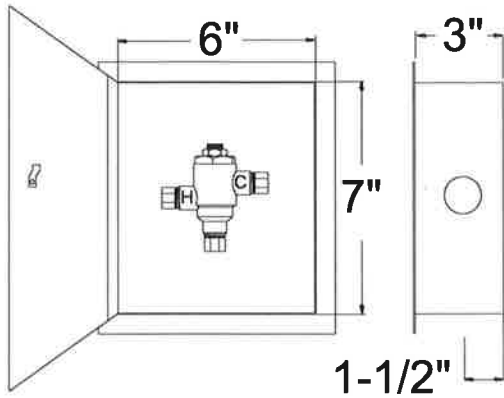
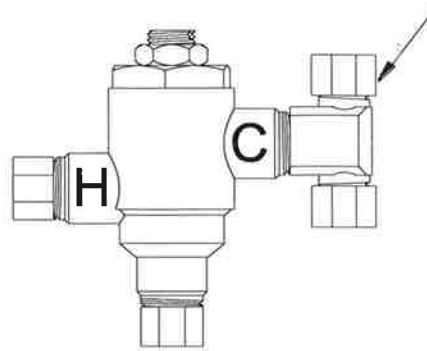
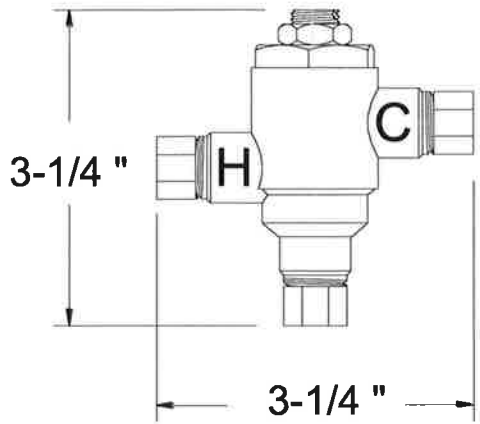
PRESSURE DROP						
5	10	15	20	30	45	PSI
.35	.70	1.05	1.4	2.1	3.1	BAR
0.75	1.25	1.6	1.88	2.63	4	GPM
2.84	4.73	6.06	7.1	10	15	L/MIN



1360 Elmwood Avenue, Cranston, RI 02910 USA
 Phone: 401.461.1200 Fax: 401.941.5310
 Email: info@leonardvalve.com
 Web Site: <http://www.leonardvalve.com>

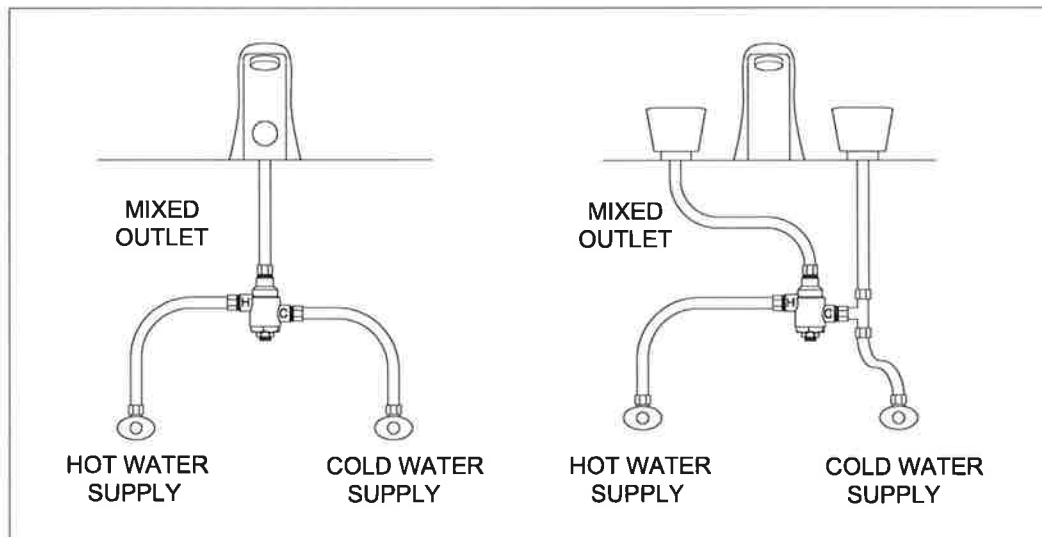
Engineer's Approval	Job # _____
	Arch/Eng. _____
	Contractor _____

BP-OPTION



170A-LF-REC

170A-LF-EXP



170A-LF

170A-LF-BP



Note: Leonard Valve Company reserves the right of product, or design modifications without notice or obligation.

1360 Elmwood Avenue, Cranston, RI 02910 USA

Phone: 401.461.1200 Fax: 401.941.5310

Email: info@leonardvalve.com

Web Site: <http://www.leonardvalve.com>

© 2020 Leonard Valve Company

Printed in USA



McGuire Manufacturing Co., Inc.
60 Grandview Court
P.O. Box 746 ♣ Cheshire, CT 06410
203-699-1801 ♣ Fax: 203-699-1813
www.mcguiremfg.com

PRODUCT SPECIFICATION

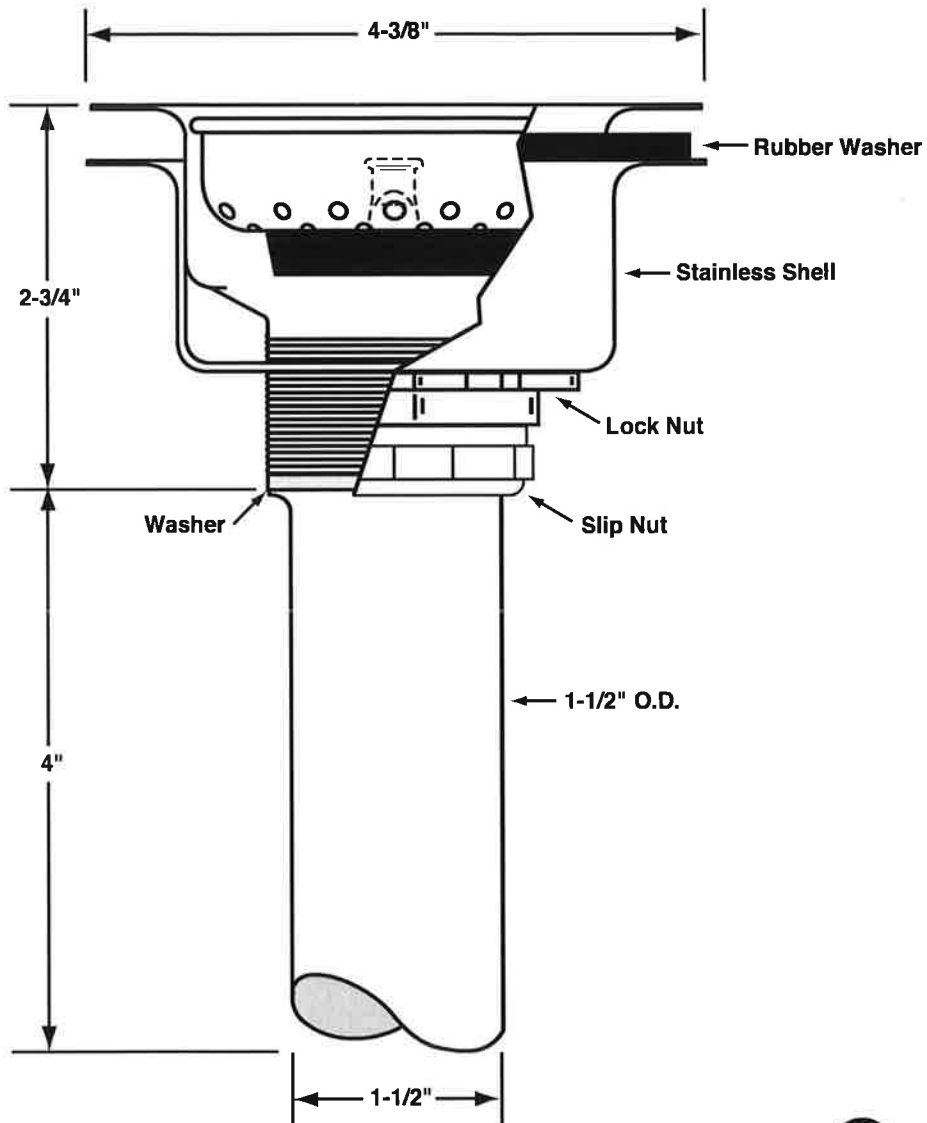
Part No.

151A

**Stainless Steel
Basket Strainer**

Job Name:

Submittal Number:



See options and accessories section for details on product variations.

Specifications:

Heavy Duty Forged Stainless Steel Basket Strainer with 1-1/2" x 4" seamless brass tailpiece, die cast slip and lock nuts. Basket Strainer shall be in compliance with CSA or other recognized testing authority and bear both manufacturer and testing mark.



McGuire Manufacturing Co., Inc.

60 Grandview Court
 Cheshire, Connecticut 06410
 (203) 699-1801 Fax (203) 699-1813
 customerservice@mcguiremfg.com mcguiremfg.com

PRODUCT SPECIFICATION

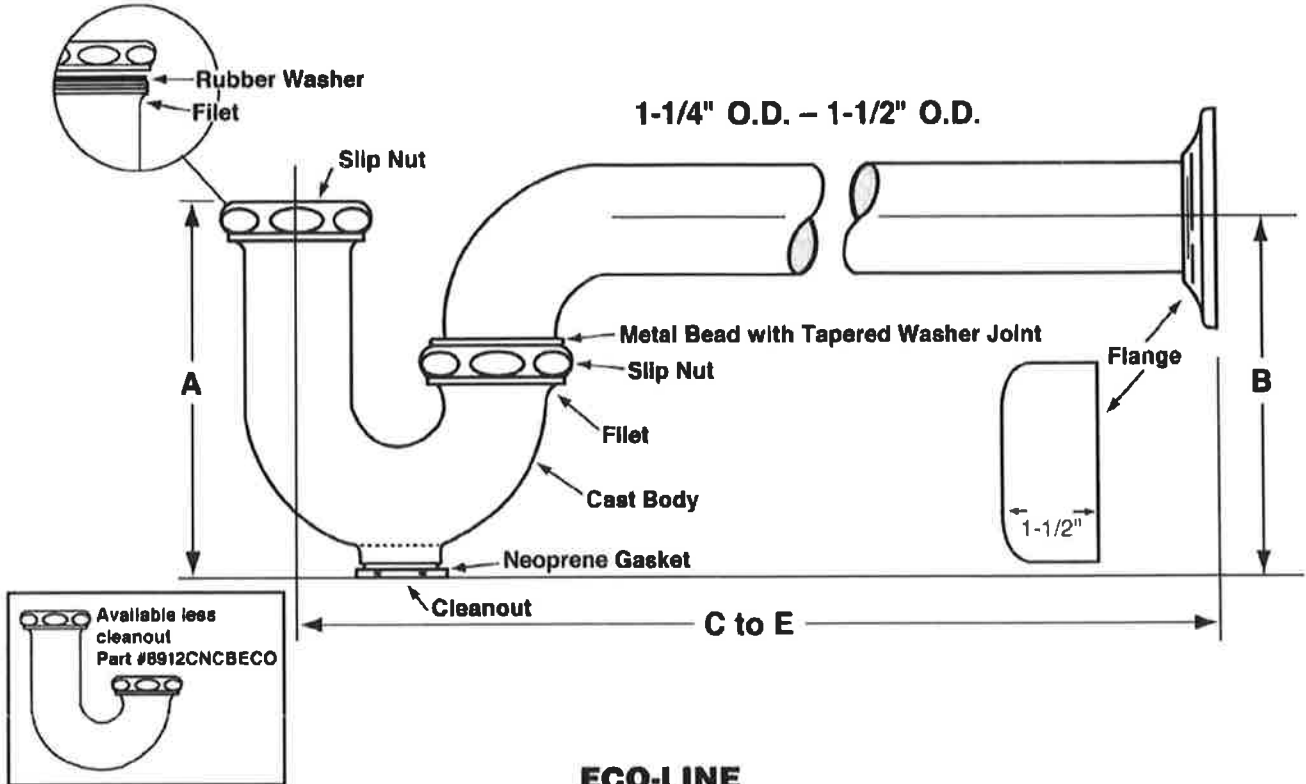
Part No.

C8912CECO

**Cast Body P-Trap With
 or Without Cleanout**

Job Name:

Submittal Number:



ECO-LINE

ROUGHING MEASUREMENTS

MODEL NO.	TRAP DIMENSIONS		A	B	C to E	FLANGE	SLIP NUT
	INLET	OUTLET					
C8912CECO	1-1/2", 1-1/4"	1-1/2"	5"	5"	10-1/2"	Shallow	Zinc

**FED SPEC W.W.P. 541
 CAST BRASS P-TRAP
 MINIMUM SEAL 2"**



ASME A112.18.2/CSA B125.2

Specifications:

Chrome plated P-Trap shall be cast brass body, with or without cleanout, with 17 gauge seamless tubular wall bend and flange.



WARNING:

This product can expose you to chemicals including lead, which is known to the State of California to cause cancer, and birth defects or other reproductive harm. For more information go to www.P66Warnings.ca.gov.



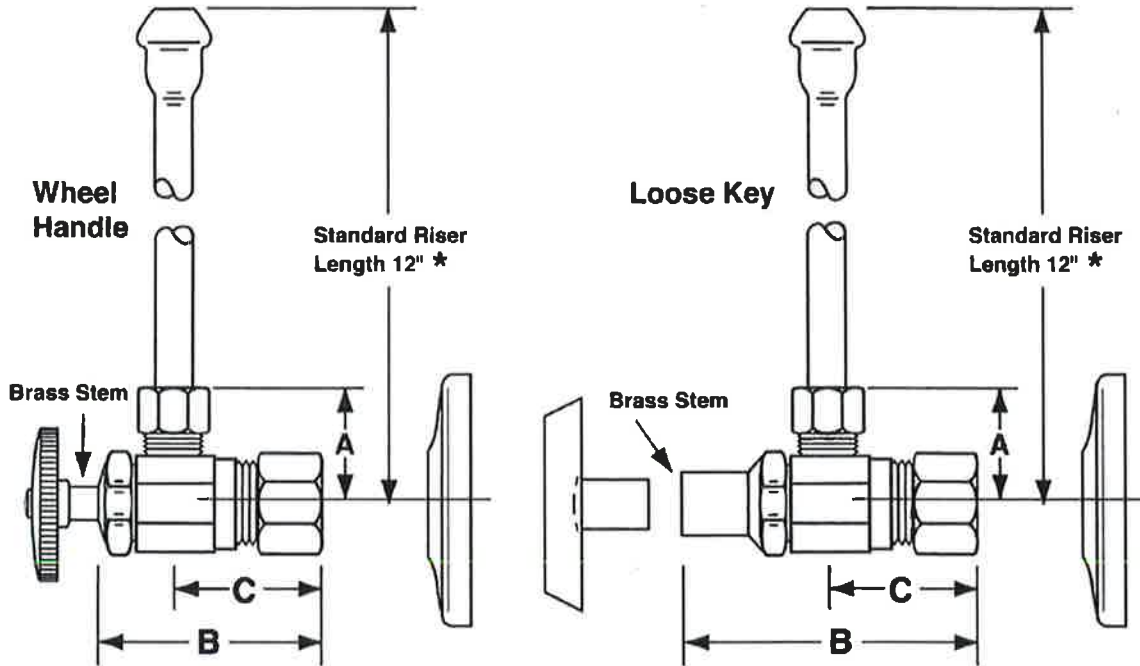
McGuire Manufacturing Co., Inc.
 60 Grandview Court
 P.O. Box 746 • Cheshire, CT 06410
 203-699-1801 • Fax: 203-699-1813
 www.mcguiremfg.com

PRODUCT SPECIFICATION

Part No.
 LF2165CC, **LF2165CCLK**,
 LF2167CC, LF2167CCLK
**Compression x Compression
 Lavatory Supply**

Job Name: _____

Submittal Number: _____



NO.	DESCRIPTION	ROUGHING MEASUREMENTS		
		A	B	C
LF2165CC	1/2" Nominal x 3/8" O.D.	1"	1-3/4"	1"
LF2165CCLK	1/2" Nominal x 3/8" O.D.	1"	2-3/8"	1"
LF2167CC	1/2" Nominal x 1/2" O.D.	1"	1-3/4"	1-1/4"
LF2167CCLK	1/2" Nominal x 1/2" O.D.	1"	2-3/8"	1-1/4"

LK designates Loose Key

* See options and accessories section for details on product variations.



Specifications:

Supply kit shall include low lead chrome plated supply brass stop valves with full turn brass stem, no plastic, (12, 15, 20) inch chrome plated risers and (shallow, deep, bell) (steel, brass) or (forged brass with set screw) flange. Inlet shall be (3/8, 1/2) inch IPS. Outlet shall be (3/8, 1/2) inch (IPS, compression). Supply kit shall be McGuire _____. Supply kit shall be low lead certified by recognized authority and bear manufacturer and testing mark.

S-3



Vault™
32" undermount single-bowl large kitchen sink
K-3821

Features

- 36" minimum base cabinet width
- Single bowl
- 9" (229 mm) depth provides generous workspace
- Rear drain placement increases cabinet storage space underneath sink
- Includes installation hardware

Material

- Handcrafted from 18-gauge stainless steel
- Premium 18-gauge stainless steel

Installation

- Undermount

Recommended Products/Accessories

- K-8801 Sink drain and strainer with tailpiece
- K-8799 Sink drain and strainer basket
- K-23726 Drain treatment
- K-23729 Stainless steel cleaner

Optional Products/Accessories

- K-6429 Utility Rack
- K-6667 Wood Cutting Board
- K-6644 Sink rack for Vault™ and Strive® kitchen sinks
- K-11352 Disposal Flange with Stopper

Included Components

- 91915 Hardware Kit

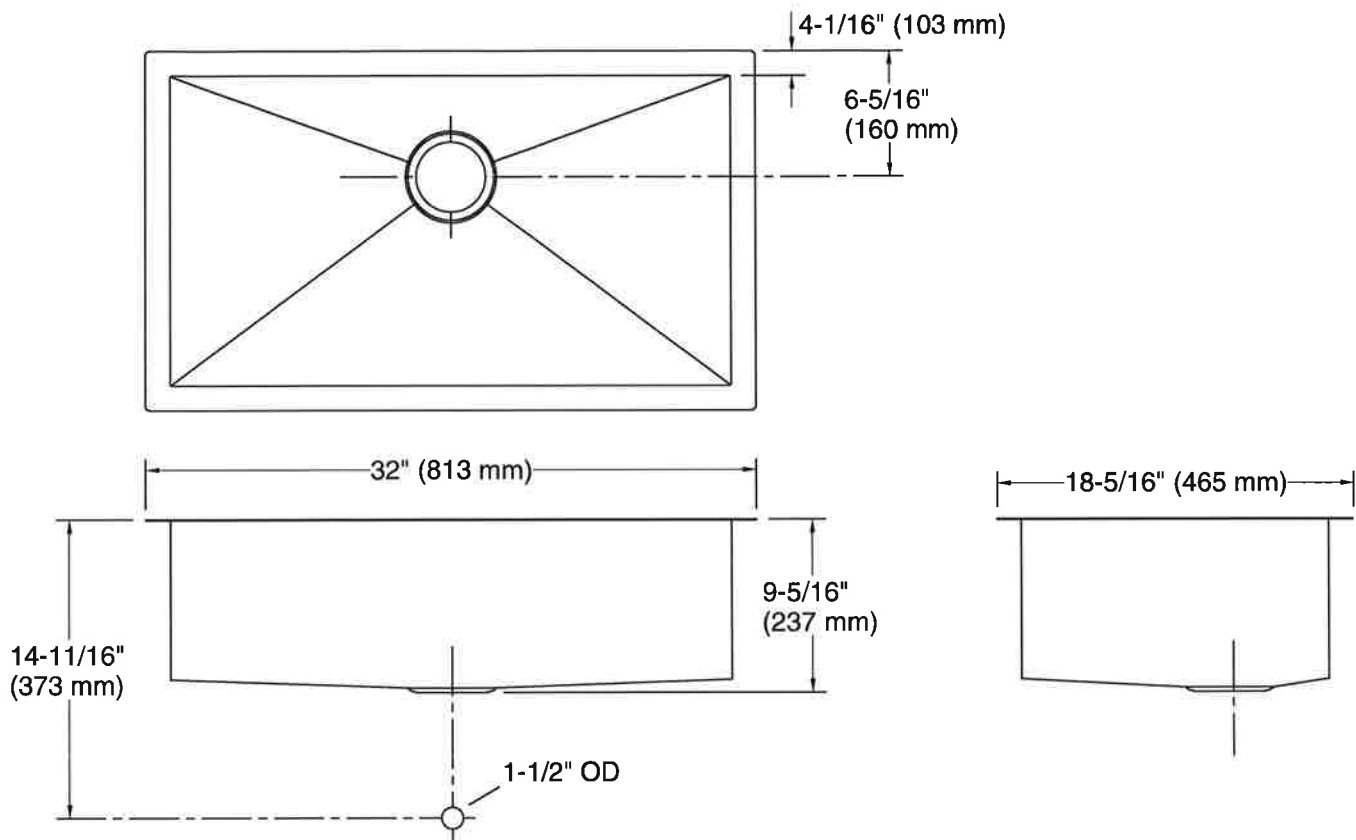


Codes/Standards

ASME A112.19.3/CSA B45.4
IAPMO Certification

**KOHLER® Stainless Steel Sinks
Lifetime Limited Warranty**

See website for detailed warranty information.



Technical Information

All product dimensions are nominal.

Bowl configuration: Single

Min. base cabinet width: 36" (914 mm)

Bowl area (Only):
 Length: 30-1/4" (768 mm)
 Width: 16-9/16" (420 mm)
 Bowl depth: 9" (229 mm)
 Water depth: 9" (229 mm)

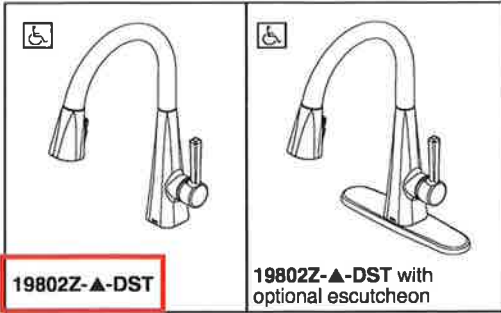
Drain hole: 3-3/4" (94 mm)

Template: Undermount, 1207216-7, required, included

Notes

Install this product according to the installation instructions.

Allow 3/4" (19 mm) clearance beyond the back of the bowl for the wood cutting board (optional accessory).

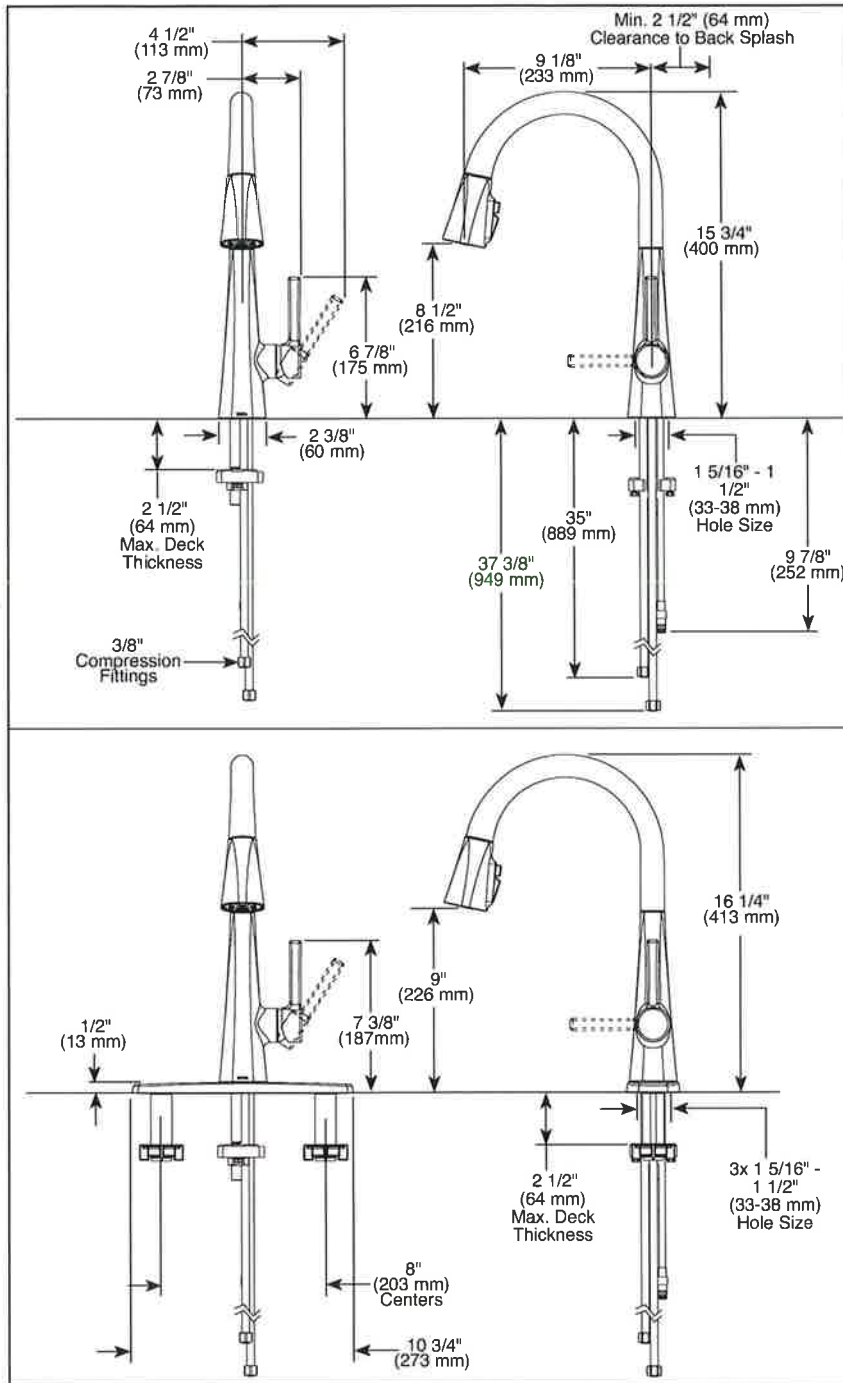


19802Z-▲-DST

19802Z-▲-DST with optional escutcheon

Submitted Model No.: _____

Specific Features: _____



▲ Designate proper finish suffix

Delta reserves the right (1) to make changes in specifications and materials, and (2) to change or discontinue models, both without notice or obligation. Dimensions are for reference only. See current full-line price book or www.deltafaucet.com for finish options and product availability.

DSP-K-19802Z-DST Rev. A



see what Delta can do™

KITCHEN FAUCETS

- Lenta™ Collection
- Single Handle Pull-Down

FEATURES:

- Touch-Clean® Technology
- DIAMOND Seal® Technology
- MagnaTite® Docking System
- 3-Function Pull-Down w/ShieldSpray™

STANDARD SPECIFICATIONS:

- Max flow rate 1.8 gpm @ 60 psi, 6.8 L/min @ 414 kPa
- One or three hole mount (escutcheon optional, included)
- Diamond coated ceramic cartridge
- 3/8" O.D. straight, staggered PEX supply lines
- Spout rotates 360°
- Hot/cold indicator markings
- Dual integral check valves in sprayer assembly
- Three-function wand; Aerated stream, spray or ShieldSpray™

WARRANTY

- Parts and Finish - Lifetime limited warranty; or for commercial purchasers, 10 years for multi-family residential (apartments and condominiums) and 5 years for all other commercial uses, in each case from the date of purchase.
- Electronic Parts and Batteries (if applicable) - 5 years from the date of purchase; or for commercial purchasers, 1 year from the date of purchase. No warranty is provided on batteries.

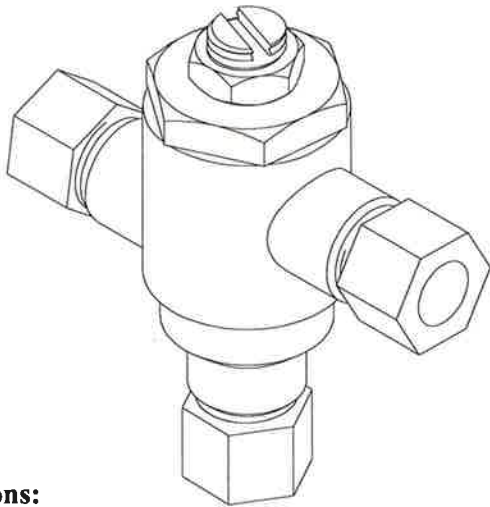
COMPLIES WITH:

- ASME A112.18.1 / CSA B125.1
- ASME A112.18.6
- Indicates compliance to ICC/ANSI A117.1
- Verified compliant with .25% weighted average Pb content regulations.

Delta Faucet Company

55 E. 111th Street, Indianapolis, IN 46280
350 South Edgeware Road, St. Thomas, ON N5P 4L1
© 2019 Delta Faucet Company

170A-LF



Application:

The Model 170A-LF is a high performance thermostatic temperature limiting device used to supply single outlets. Can be used to supply one sensor faucet or one two handle manual faucet.

Features:

- Certified to ASSE 1070 to control down to 0.25 GPM
- Eco-Mix Certified Lead-Free* construction
- Integral inlet checks and stainless steel screens
- Vandal resistant locknut to prevent accidental adjustment
- Easy 3/8" tubing or flex hose installation

Specifications:

- Minimum flow: 0.25 GPM (0.95 l/Min) Certified to ASSE
- Maximum flow: 4 GPM
- Maximum pressure: 125 PSI (8.6 BAR)
- Maximum hot water temperature: 180°F (82°C)
- Hot water inlet temperature range: 120-180°F (49-82°C)
- Cold water inlet temperature range: 33-80°F (1-27°C)
- Temperature adjustment range: 95-120°F (35-49°C)

Certifications:

ASSE 1070-2015



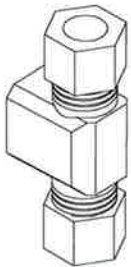
CSA B125.70-15



Certified to NSF61 thru the ASSE 1070 testing process

Options:

- STSTL REC- Stainless steel cabinet, #4 finish, recessed
- STSTL EXP- Stainless steel cabinet, #4 finish, exposed
- BWE REC- Steel cabinet, baked white, recessed
- BWE EXP- Steel cabinet, baked white, exposed
- BP- Cold water By-Pass (shipped loose)
- BRKT- mounting bracket (shipped loose)
- CP- Chrome plated finish



BP option



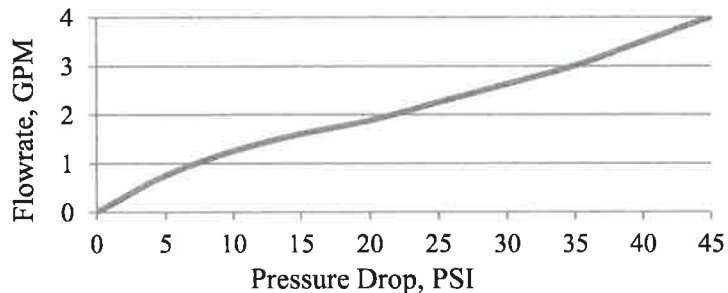
BRKT option



WARNING: This product can expose you to chemicals including lead, which is known to the State of California to cause cancer. For more information, go to www.P66Warnings.ca.gov

* This product is certified to meet Low Lead requirements of wetted surface area containing less than 0.25% lead by weight

PRESSURE DROP							
5	10	15	20	30	45		PSI
.35	.70	1.05	1.4	2.1	3.1		BAR
0.75	1.25	1.6	1.88	2.63	4		GPM
2.84	4.73	6.06	7.1	10	15		L/MIN



1360 Elmwood Avenue, Cranston, RI 02910 USA

Phone: 401.461.1200 Fax: 401.941.5310

Email: info@leonardvalve.com

Web Site: <http://www.leonardvalve.com>

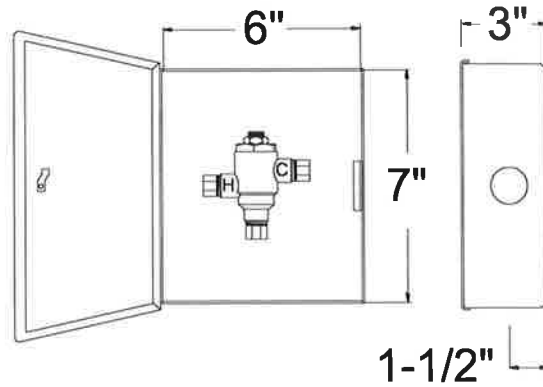
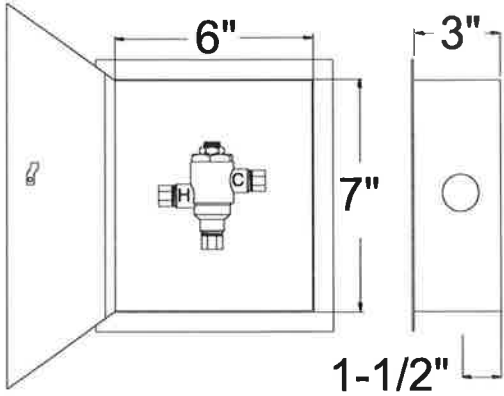
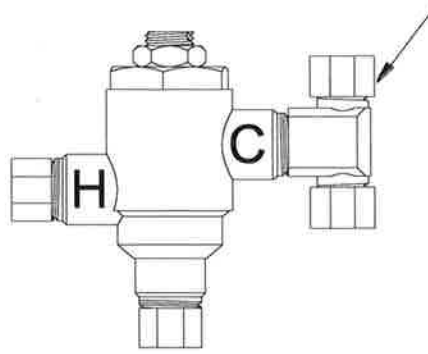
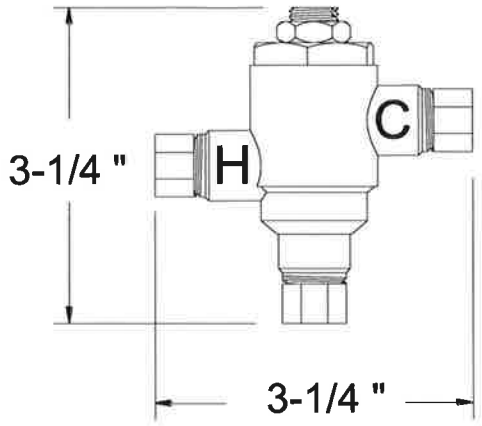
Engineer's Approval

Job # _____

Arch/Eng. _____

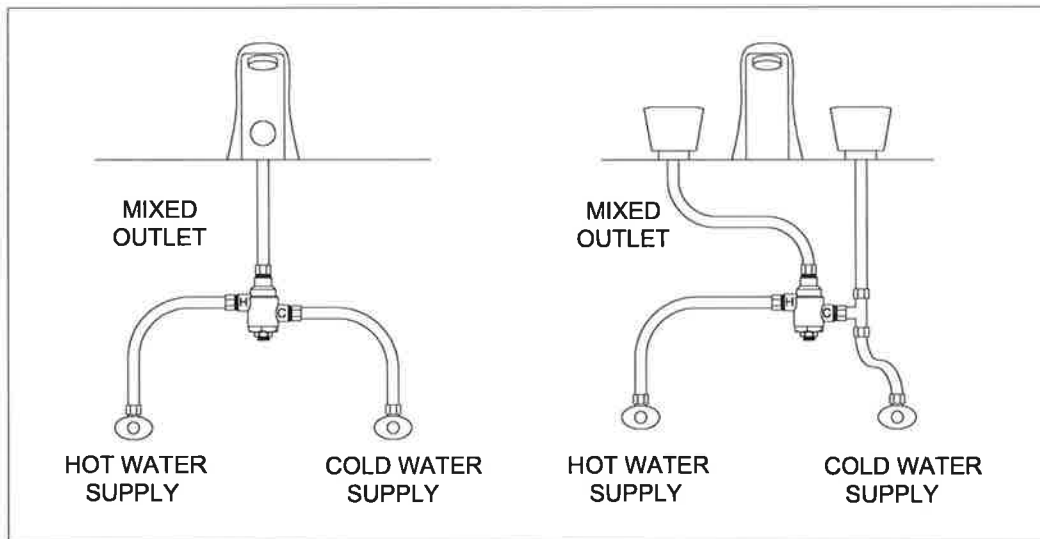
Contractor _____

BP-OPTION



170A-LF-REC

170A-LF-EXP



170A-LF

170A-LF-BP



Note: Leonard Valve Company reserves the right of product, or design modifications without notice or obligation.

© 2020 Leonard Valve Company
Printed in USA

1360 Elmwood Avenue, Cranston, RI 02910 USA

Phone: 401.461.1200 Fax: 401.941.5310

Email: info@leonardvalve.com

Web Site: <http://www.leonardvalve.com>



McGuire Manufacturing Co., Inc.
60 Grandview Court
P.O. Box 746 ♣ Cheshire, CT 06410
203-699-1801 ♣ Fax: 203-699-1813
www.mcguiremfg.com

PRODUCT SPECIFICATION

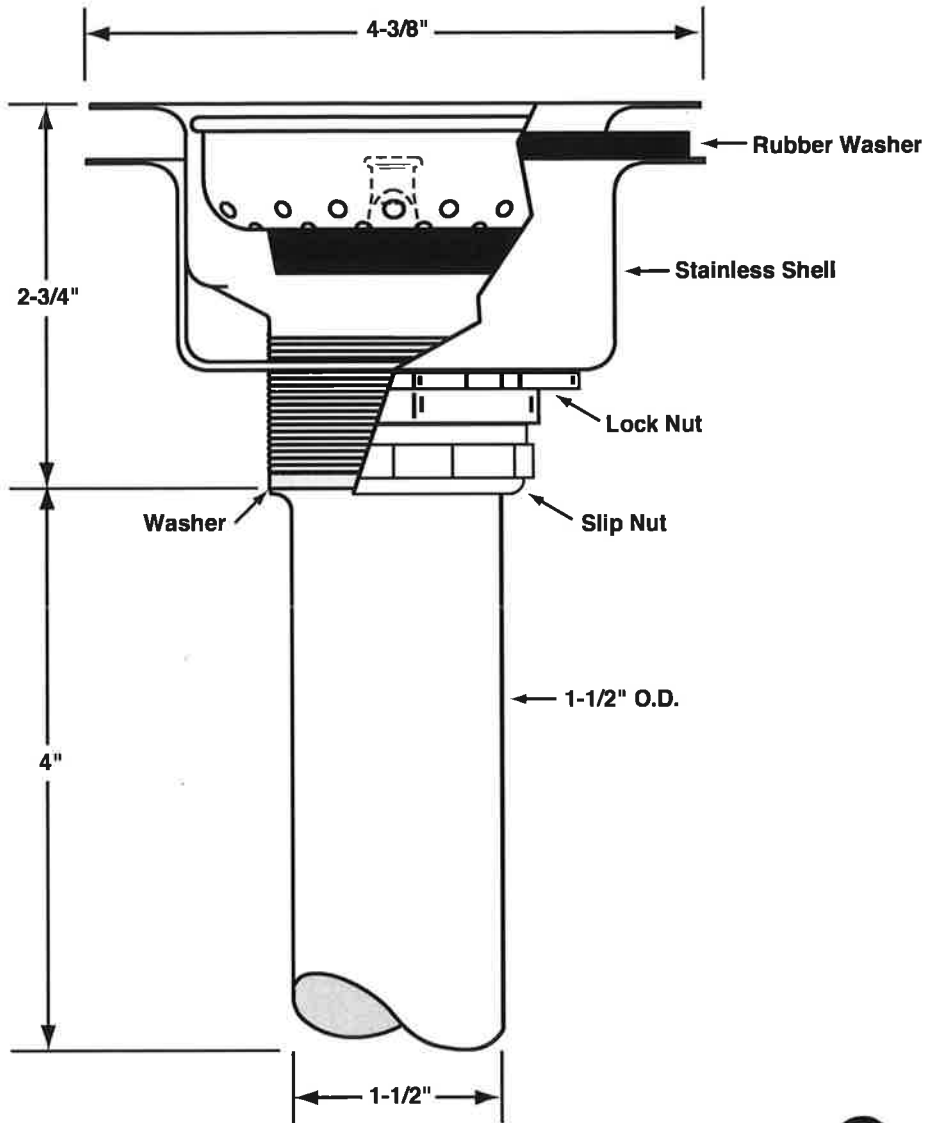
Part No.

151A

**Stainless Steel
Basket Strainer**

Job Name:

Submittal Number:



See options and accessories section for details on product variations.

Specifications:

Heavy Duty Forged Stainless Steel Basket Strainer with 1-1/2" x 4" seamless brass tailpiece, die cast slip and lock nuts. Basket Strainer shall be in compliance with CSA or other recognized testing authority and bear both manufacturer and testing mark.



McGuire Manufacturing Co., Inc.

60 Grandview Court
 Cheshire, Connecticut 06410
 (203) 699-1801 Fax (203) 699-1813
 customerservice@mcguiremfg.com mcguiremfg.com

Part No.

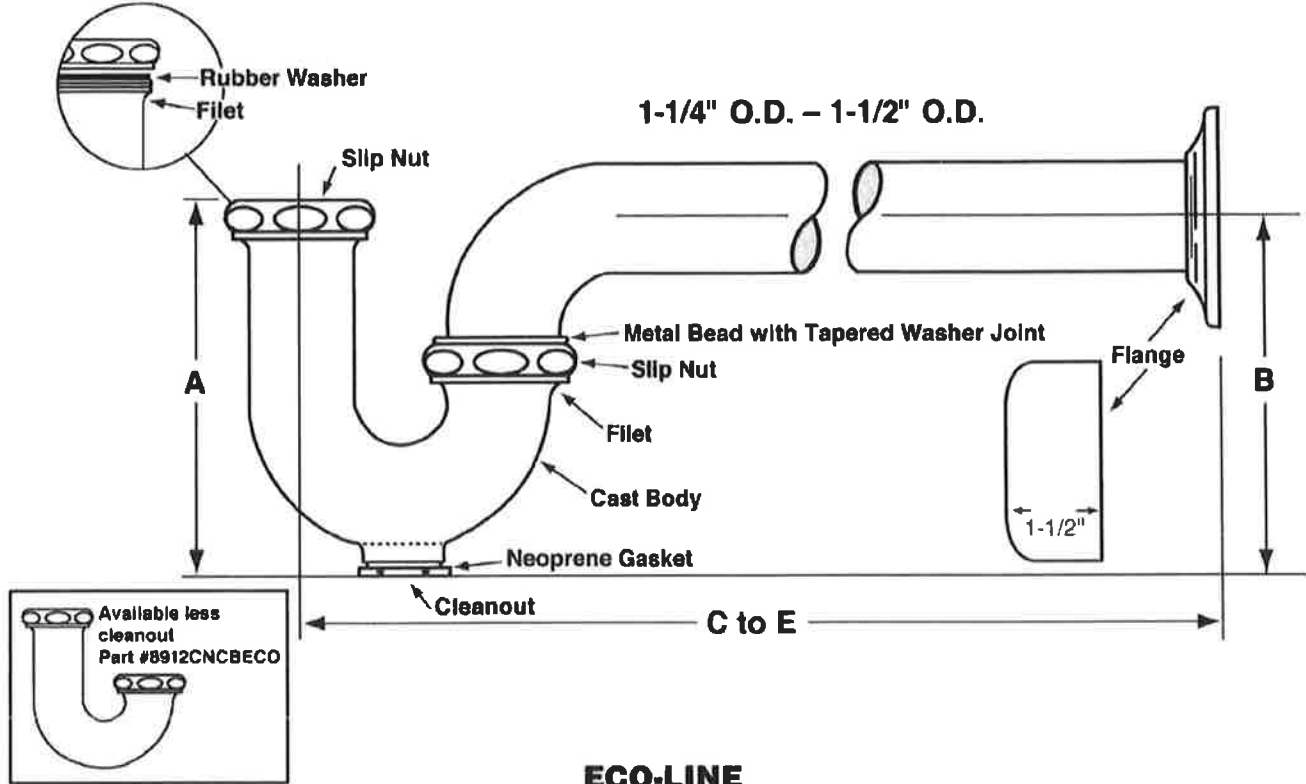
C8912CECO

**Cast Body P-Trap With
 or Without Cleanout**

PRODUCT SPECIFICATION

Job Name:

Submittal Number:



ECO-LINE

ROUGHING MEASUREMENTS

MODEL NO.	TRAP DIMENSIONS		A	B	C to E	FLANGE	SLIP NUT
	INLET	OUTLET					
C8912CECO	1-1/2", 1-1/4"	1-1/2"	5"	5"	10-1/2"	Shallow	Zinc

**FED SPEC W.W.P. 541
 CAST BRASS P-TRAP
 MINIMUM SEAL 2"**



ASME A112.18.2/CSA B125.2

Specifications:

Chrome plated P-Trap shall be cast brass body, with or without cleanout, with 17 gauge seamless tubular wall bend and flange.



WARNING:

This product can expose you to chemicals including lead, which is known to the State of California to cause cancer, and birth defects or other reproductive harm. For more information go to www.P65Warnings.ca.gov



McGuire Manufacturing Co., Inc.
 60 Grandview Court
 P.O. Box 746 • Cheshire, CT 06410
 203-699-1801 • Fax: 203-699-1813
 www.mcguiremfg.com

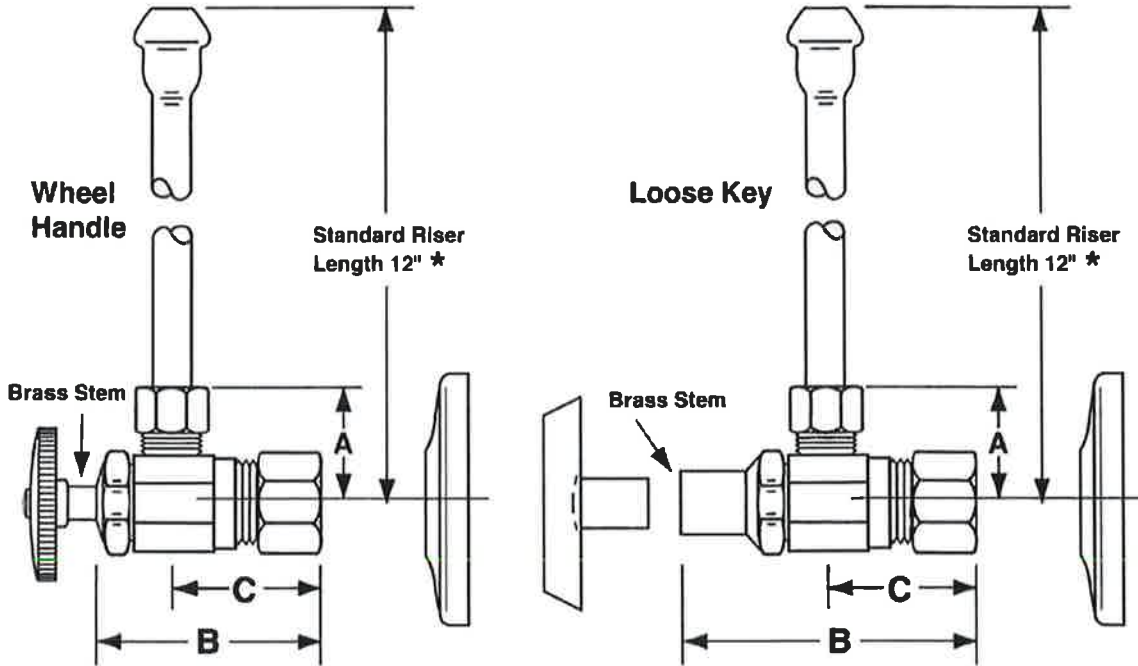
PRODUCT SPECIFICATION

Part No.
 LF2165CC, **LF2165CCLK**,
 LF2167CC, LF2167CCLK

**Compression x Compression
 Lavatory Supply**

Job Name: _____

Submittal Number: _____



NO.	DESCRIPTION	ROUGHING MEASUREMENTS		
		A	B	C
LF2165CC	1/2" Nominal x 3/8" O.D.	1"	1-3/4"	1"
LF2165CCLK	1/2" Nominal x 3/8" O.D.	1"	2-3/8"	1"
LF2167CC	1/2" Nominal x 1/2" O.D.	1"	1-3/4"	1-1/4"
LF2167CCLK	1/2" Nominal x 1/2" O.D.	1"	2-3/8"	1-1/4"

LK designates Loose Key

* See options and accessories section for details on product variations.



Specifications:

Supply kit shall include low lead chrome plated supply brass stop valves with full turn brass stem, no plastic, (12, 15, 20) inch chrome plated risers and (shallow, deep, bell) (steel, brass) or (forged brass with set screw) flange. Inlet shall be (3/8, 1/2) inch IPS. Outlet shall be (3/8, 1/2) inch (IPS, compression). Supply kit shall be McGuire _____. Supply kit shall be low lead certified by recognized authority and bear manufacturer and testing mark.

S-4

SPECIFICATIONS

PRODUCT SPECIFICATIONS

Just Mfg Stainless Steel 21-1/2" x 18-1/2" x 10" Single Bowl Undermount Sink. Sink is manufactured from 18 gauge 304 Stainless Steel with a Lustrous Satin finish, Rear Center drain placement, and Sides and Bottom pads.

Installation Type:	Undermount
Material:	304 Stainless Steel
Finish:	Lustrous Satin
Gauge:	18
Sound Deadening:	Sides and Bottom pads
Number of Bowls:	1
Sink Dimensions:	21-1/2" x 18-1/2" x 10"
Bowl 1 Dimensions:	19" x 16" x 10"
Drain Size:	3-1/2" (89mm)
Drain Location:	Rear Center
Minimum Cabinet Size:	27"
Mounting Hardware:	Not Included
Cutout Template #:	1000001424

Template is available for download at justmfg.com. CAD software will be required to open the template.



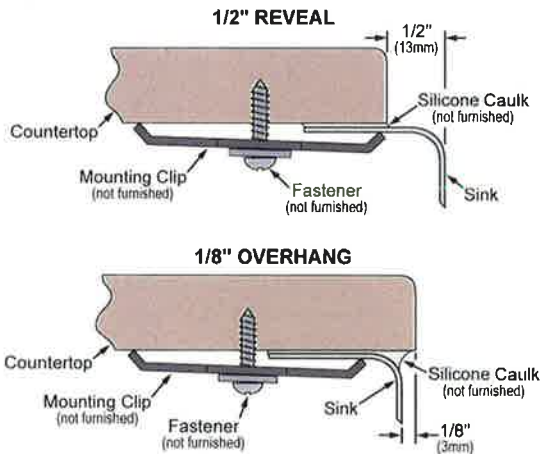
Quality Grade Plumbing Products. Since 1933 we have become the industry standard for designing and producing quality grade plumbing products and fixtures. Our role as an industry leader remains unsurpassed.

Product Compliance: ASME A112.19.3/CSA B45.4

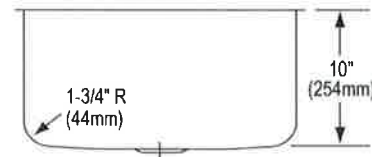
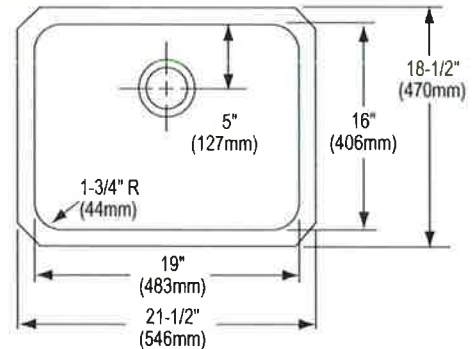


[Clean and Care Manual \(PDF\)](#)
[Installation Instructions \(PDF\) - 2000000857](#)
[Warranty \(PDF\)](#)

Installation Profile:



Designed to affix to the underside of any solid surface countertop.



PART: _____ QTY: _____
 PROJECT: _____
 CONTACT: _____
 DATE: _____
 NOTES: _____
 APPROVAL: _____

In keeping with our policy of continuing product improvement, Just Mfg reserves the right to change product specifications without notice. Please visit justmfg.com for the most current version of Just Mfg product specification sheets. This specification describes a product with design, quality, and functional benefits to the user. When making a comparison of other producers' offerings, be certain these features are not overlooked.



Sink Faucet Deckmount

8" Deck- CER-TECK® ceramic structures

Model No: 26C3922-TI

COMPLIES WITH:

- CSA certified.
- Complies to ASME A112.18.1/CSA B125.1
- Verified compliant with 0.25% weighted average Pb content regulations
- (Contact Delta Representative for State and/or Local Approvals)



NOTES:

26T3 - 8" Deck- TUF-TECK® compression structures

SPECIFICATION:

- Heavy Duty Cast Brass sink faucet
- 203 mm (8") centers
- Two handle
- Polished chrome plated finish
- Metal hold-down package
- CER-TECK® ceramic structures
- Spout#: 9 - Gooseneck spout-6.0" spout reach - 10.4" height (unmounted)- Standard rigid/swivel field installation unless LS Limited swing option selected- Vandal resistant .090" wall thickness-(R4)
- Outlet#: 2 - Vandal Res.1.5 GPM (5.7 L/Min) Laminar w/Agion® Antimicrobial
- Handle#: 2 - 102 mm (4") Hooded Blade Handles-ADA compliant-Metal- Color indexed-Vandal resistant screws
- Handle Temperature Indicators

OPERATION:

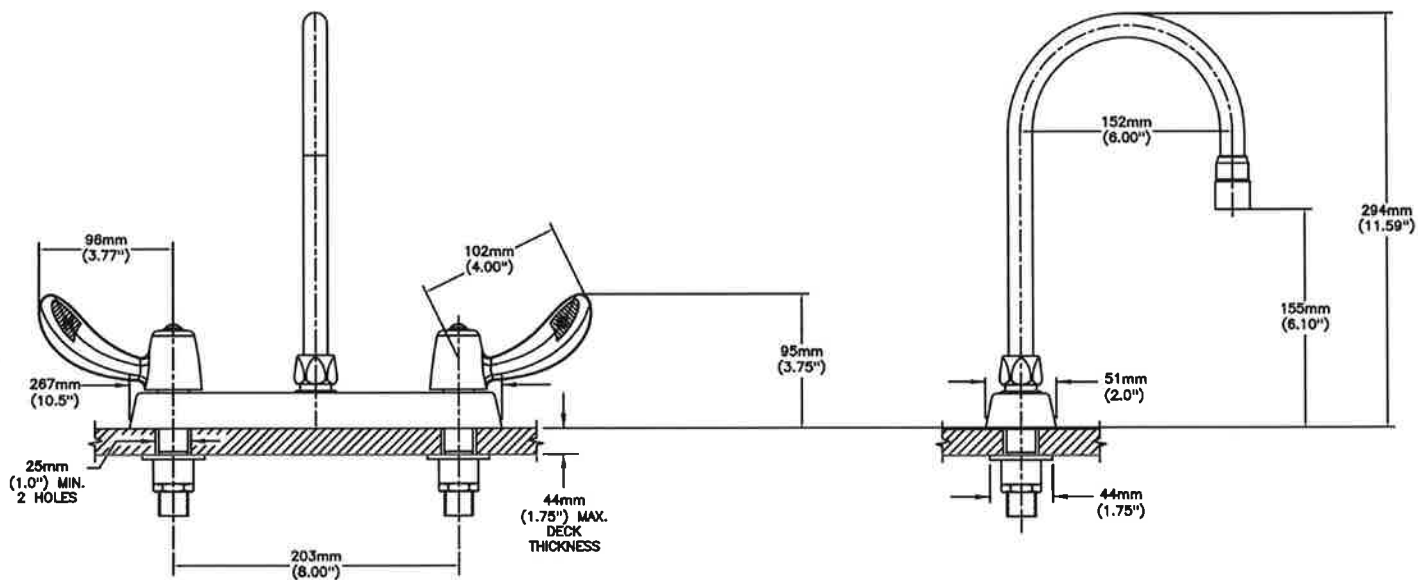
- Not Available

(Dimensional drawing on following page)

Delta reserves the right (1) to make changes to specifications and materials, and (2) to change or discontinue models, both without notice or obligation. Dimensions are for reference. Measurement may vary plus or minus 6mm(0.25"). Mounting locations are suggested only. Check with local codes for requirements in your area. This spec was produced June 15, 2021.

Delta Faucet Company - 55 East 111th St. - Indianapolis, Indiana, USA 46280 - (317) 848-1812
Delta Faucet Canada - 395 Matheson Blvd E - Mississauga, Ontario, Canada L4Z 2H2 - (905) 712-3030

Model No: 26C3922-TI

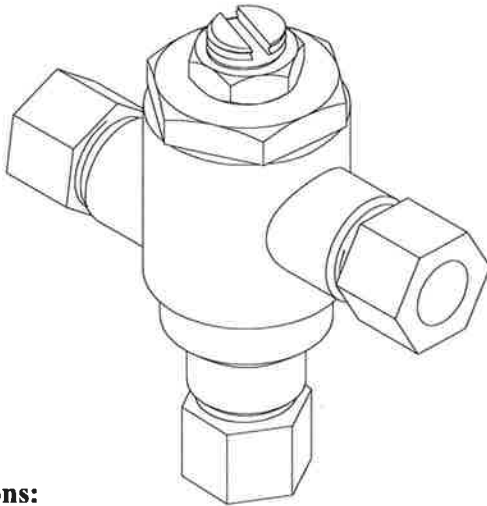


INLET FOR 3/8" OR 1/2" FLEXIBLE RISER
OR 1/2-14 NPSM COUPLING NUT (NOT SUPPLIED)

Delta reserves the right (1) to make changes to specifications and materials, and (2) to change or discontinue models, both without notice or obligation. Dimensions are for reference. Measurement may vary plus or minus 6mm(0.25"). Mounting locations are suggested only. Check with local codes for requirements in your area. This spec was produced June 15, 2021.

Delta Faucet Company - 55 East 111th St. - Indianapolis, Indiana, USA 46280 - (317) 848-1812
Delta Faucet Canada - 395 Matheson Blvd E - Mississauga, Ontario, Canada L4Z 2H2 - (905) 712-3030

170A-LF



Application:

The Model 170A-LF is a high performance thermostatic temperature limiting device used to supply single outlets. Can be used to supply one sensor faucet or one two handle manual faucet.

Features:

- Certified to ASSE 1070 to control down to 0.25 GPM
- Eco-Mix Certified Lead-Free* construction
- Integral inlet checks and stainless steel screens
- Vandal resistant locknut to prevent accidental adjustment
- Easy 3/8" tubing or flex hose installation

Specifications:

- Minimum flow: 0.25 GPM (0.95 l/Min) Certified to ASSE
- Maximum flow: 4 GPM
- Maximum pressure: 125 PSI (8.6 BAR)
- Maximum hot water temperature: 180°F (82°C)
- Hot water inlet temperature range: 120-180°F (49-82°C)
- Cold water inlet temperature range: 33-80°F (1-27°C)
- Temperature adjustment range: 95-120°F (35-49°C)

Certifications:

ASSE 1070-2015



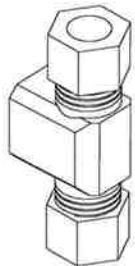
CSA B125.70-15



Certified to NSF61 thru the ASSE 1070 testing process

Options:

- STSTL REC- Stainless steel cabinet, #4 finish, recessed
- STSTL EXP- Stainless steel cabinet, #4 finish, exposed
- BWE REC- Steel cabinet, baked white, recessed
- BWE EXP- Steel cabinet, baked white, exposed
- BP- Cold water By-Pass (shipped loose)
- BRKT- mounting bracket (shipped loose)
- CP- Chrome plated finish



BP option



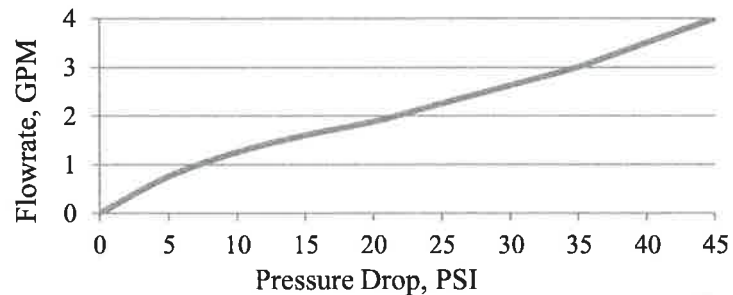
BRKT option



WARNING: This product can expose you to chemicals including lead, which is known to the State of California to cause cancer. For more information, go to www.P669696.ca.gov

* This product is certified to meet Low Lead requirements of wetted surface area containing less than 0.25% lead by weight

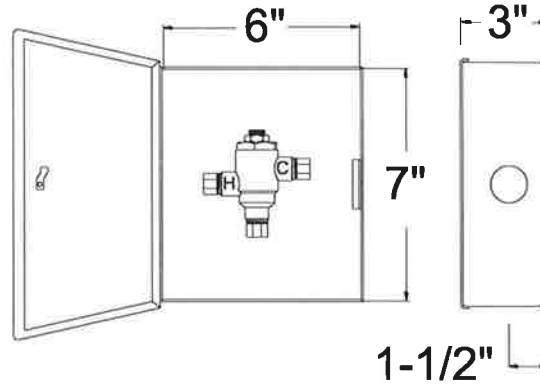
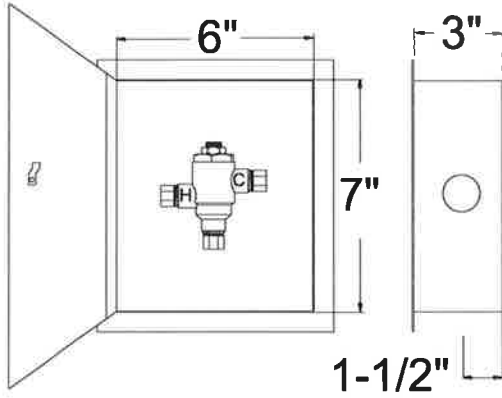
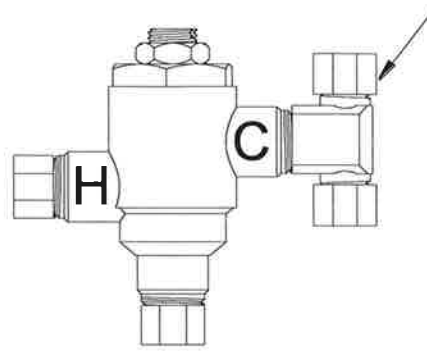
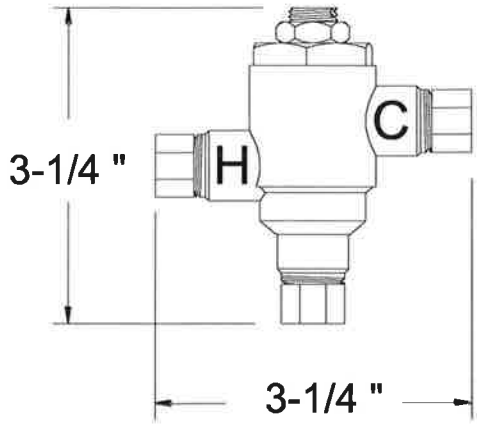
PRESSURE DROP						
5	10	15	20	30	45	PSI
.35	.70	1.05	1.4	2.1	3.1	BAR
0.75	1.25	1.6	1.88	2.63	4	GPM
2.84	4.73	6.06	7.1	10	15	L/MIN



1360 Elmwood Avenue, Cranston, RI 02910 USA
 Phone: 401.461.1200 Fax: 401.941.5310
 Email: info@leonardvalve.com
 Web Site: <http://www.leonardvalve.com>

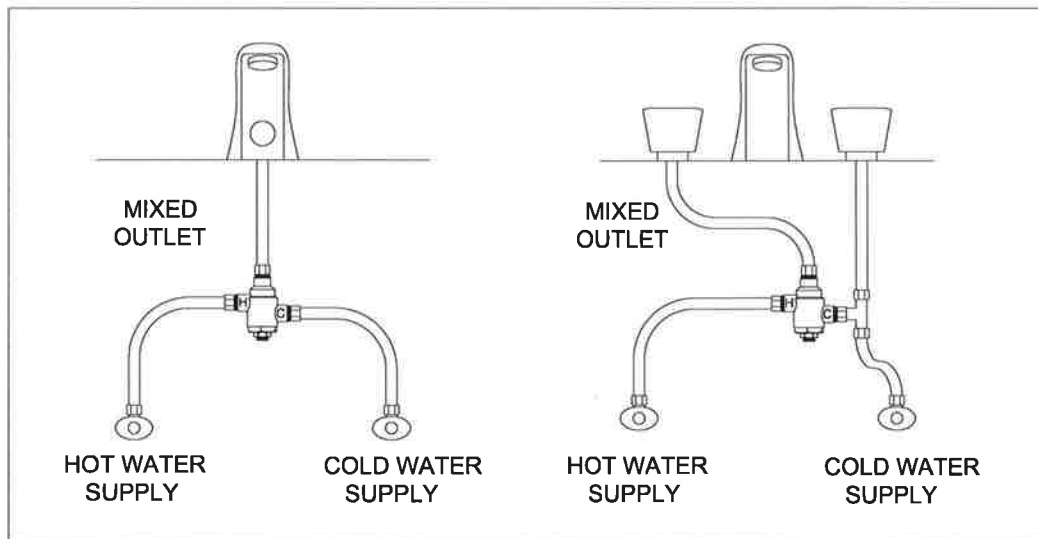
Engineer's Approval	Job # _____
	Arch/Eng. _____
	Contractor _____

BP-OPTION



170A-LF-REC

170A-LF-EXP



170A-LF

170A-LF-BP



Note: Leonard Valve Company reserves the right of product, or design modifications without notice or obligation.

1360 Elmwood Avenue, Cranston, RI 02910 USA

Phone: 401.461.1200 Fax: 401.941.5310

© 2020 Leonard Valve Company

Email: info@leonardvalve.com

Printed in USA

Web Site: <http://www.leonardvalve.com>



McGuire Manufacturing Co., Inc.
60 Grandview Court
P.O. Box 746 ♣ Cheshire, CT 06410
203-699-1801 ♣ Fax: 203-699-1813
www.mcguiremfg.com
PRODUCT SPECIFICATION

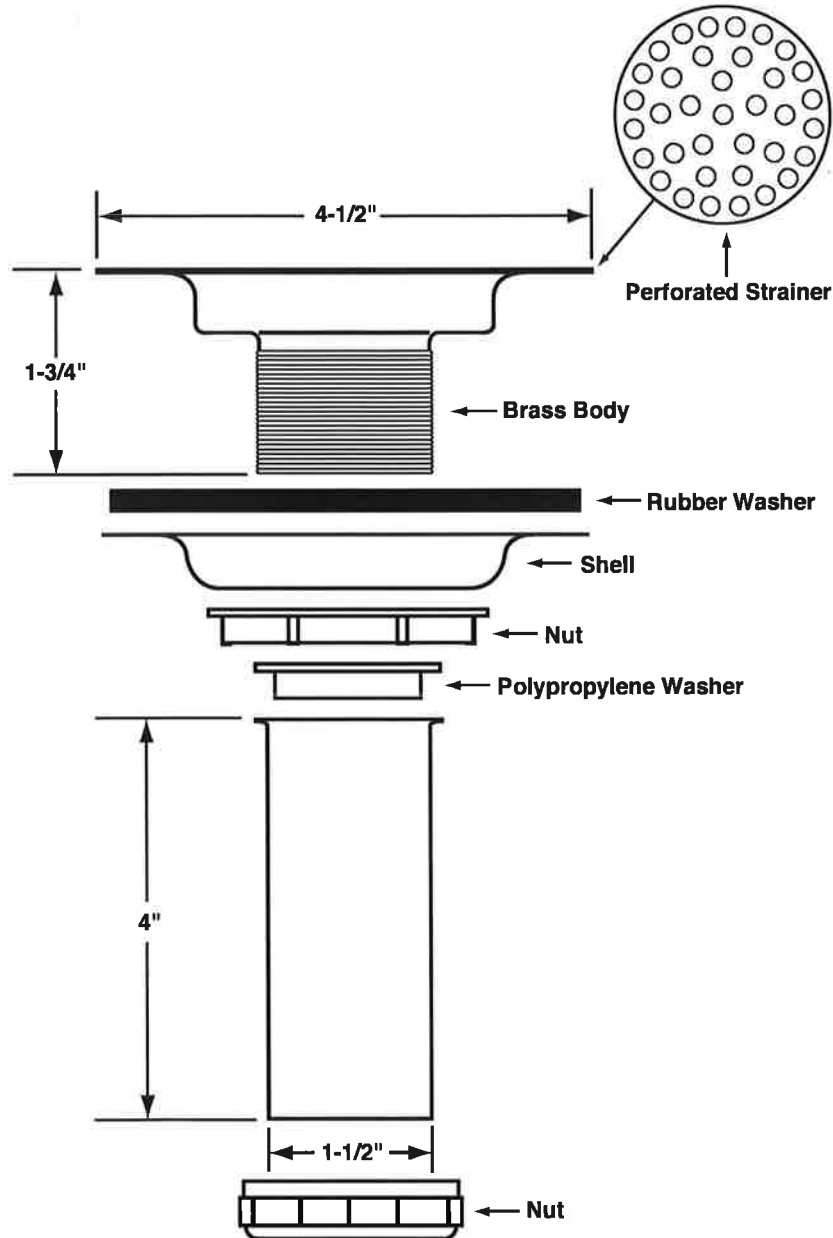
Part No.

152

**Wide Top Sink
Strainer**

Job Name:

Submittal Number:



See options and accessories section for details on product variations.

Specifications:

Wrought Brass Chrome Plated Wide Top Sink Strainer with 1-1/2" x 4" seamless brass tailpiece.
Fits sink thickness up to 3/4 inch.



McGuire Manufacturing Co., Inc.

60 Grandview Court
 Cheshire, Connecticut 06410
 (203) 699-1801 Fax (203) 699-1813
 customerservice@mcguiremfg.com mcguiremfg.com

PRODUCT SPECIFICATION

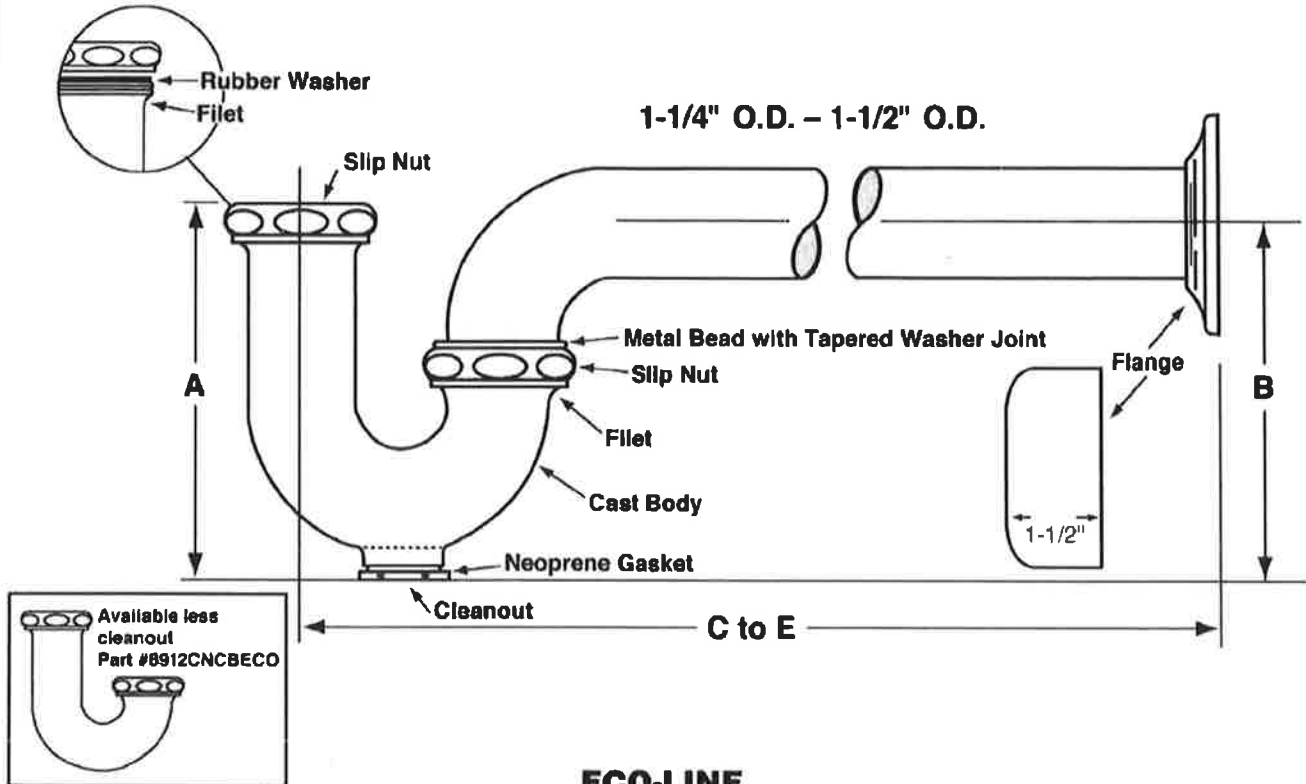
Part No.

C8912CECO

**Cast Body P-Trap With
 or Without Cleanout**

Job Name:

Submittal Number:



ECO-LINE

ROUGHING MEASUREMENTS							
MODEL NO.	TRAP DIMENSIONS		A	B	C to E	FLANGE	SLIP NUT
	INLET	OUTLET					
C8912CECO	1-1/2", 1-1/4"	1-1/2"	5"	5"	10-1/2"	Shallow	Zinc

**FED SPEC W.W.P. 541
 CAST BRASS P-TRAP
 MINIMUM SEAL 2"**



ASME A112.18.2/CSA B125.2

Specifications:

Chrome plated P-Trap shall be cast brass body, with or without cleanout, with 17 gauge seamless tubular wall bend and flange.



WARNING:
 This product can expose you to chemicals including lead, which is known to the State of California to cause cancer, and birth defects or other reproductive harm. For more information go to www.P65Warnings.ca.gov.



McGuire Manufacturing Co., Inc.
 60 Grandview Court
 P.O. Box 746 • Cheshire, CT 06410
 203-699-1801 • Fax: 203-699-1813
 www.mcguiremfg.com

Part No.

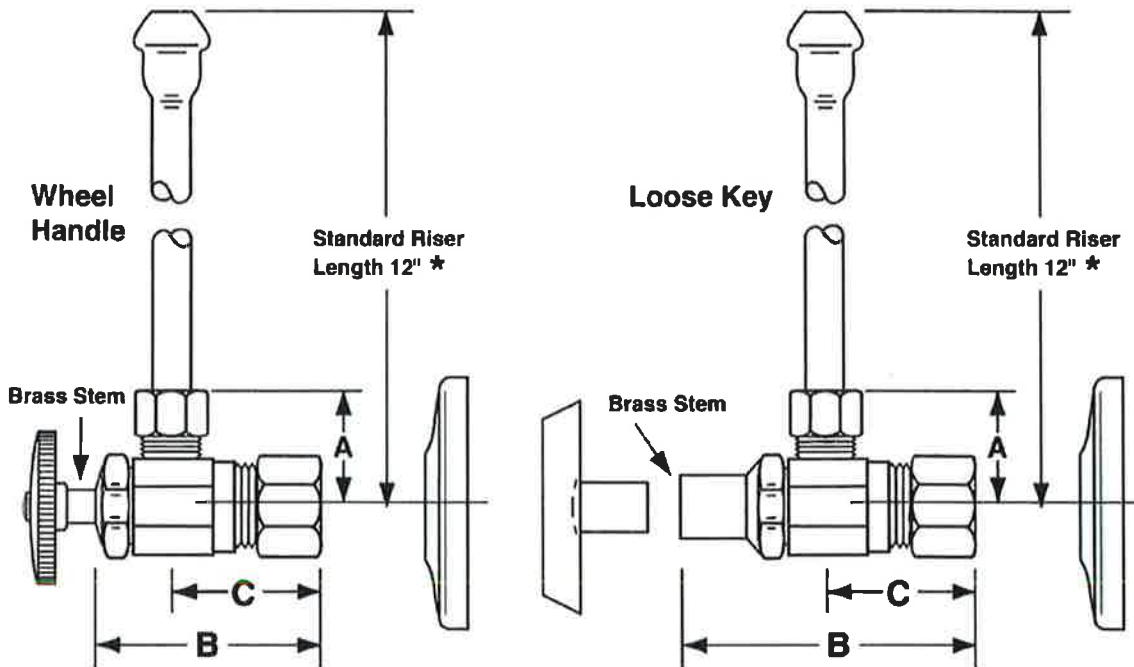
LF2165CC, **LF2165CCLK**,
 LF2167CC, LF2167CCLK

**Compression x Compression
 Lavatory Supply**

PRODUCT SPECIFICATION

Job Name: _____

Submittal Number: _____



NO.	DESCRIPTION	ROUGHING MEASUREMENTS		
		A	B	C
LF2165CC	1/2" Nominal x 3/8" O.D.	1"	1-3/4"	1"
LF2165CCLK	1/2" Nominal x 3/8" O.D.	1"	2-3/8"	1"
LF2167CC	1/2" Nominal x 1/2" O.D.	1"	1-3/4"	1-1/4"
LF2167CCLK	1/2" Nominal x 1/2" O.D.	1"	2-3/8"	1-1/4"

LK designates Loose Key

* See options and accessories section for details on product variations.



Specifications:

Supply kit shall include low lead chrome plated supply brass stop valves with full turn brass stem, no plastic, (12, 15, 20) inch chrome plated risers and (shallow, deep, bell) (steel, brass) or (forged brass with set screw) flange. Inlet shall be (3/8, 1/2) inch IPS. Outlet shall be (3/8, 1/2) inch (IPS, compression). Supply kit shall be McGuire _____. Supply kit shall be low lead certified by recognized authority and bear manufacturer and testing mark.

S-5

PRODUCT SPECIFICATIONS

Elkay Lustertone® Classic Stainless Steel 33" x 19-1/2" x 6-1/2" Equal Double Bowl Drop-in ADA Sink. Sink is manufactured from 18 gauge 304 Stainless Steel with a Lustrous Satin finish, Rear Center drain placement, and Bottom only pads.

Installation Type:	Drop-in
Material:	304 Stainless Steel
Finish:	Lustrous Satin
Gauge:	18
Sound Deadening:	Bottom only pads
Number of Bowls:	2
Sink Dimensions:	33" x 19-1/2" x 6-1/2"
Bowl 1 Dimensions:	14" x 14" x 6-3/8"
Bowl 2 Dimensions:	14" x 14" x 6-3/8"
Drain Size:	3-1/2" (89mm)
Drain Location:	Rear Center
Minimum Cabinet Size:	36"
Mounting Hardware:	Part # 64090014 included for countertops up to 3/4" (19mm) thick
Template Included:	No
Cutout Template #:	1000001276

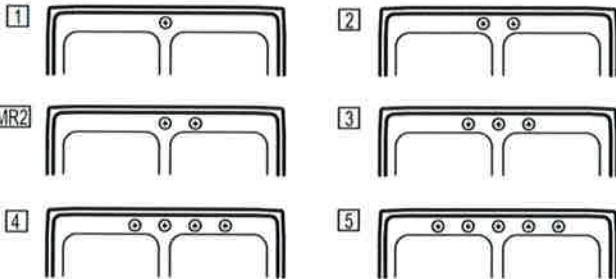
Template is available for download at elkay.com. CAD software will be required to open the template.

Cutout Dimensions for Drop-in Installation:

32-3/8" x 18-7/8" (822mm x 479mm) with 1-1/2" (38mm) corner radius

Hole Drilling Configurations:

1-1/2" (38mm) Diameter Faucet Holes on 4" (102mm) Centers



no holes

PART: _____ QTY: _____
 PROJECT: _____
 CONTACT: _____
 DATE: _____
 NOTES: _____
 APPROVAL: _____



A Century of Tradition and Quality. For more than 100 years, Elkay has been making innovative products and providing exceptional customer care. We take pride in offering plumbing products that make life easier, inspire change and leave the world a better place.



Product Compliance: ADA & ICC A117.1
ASME A112.19.3/CSA B45.4



Sinks are listed by IAPMO® as meeting the applicable requirements of the Uniform Plumbing Code®, International Plumbing Code®, and National Plumbing Code of Canada.



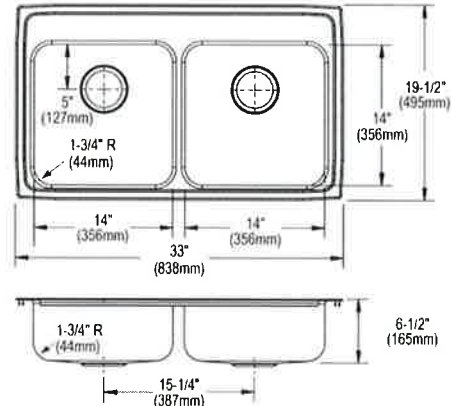
Complies with ADA & ICC A117.1 accessibility requirements when installed according to the requirements outlined in these standards.

[Clean and Care Manual \(PDF\)](#)

[Installation Instructions \(PDF\) - 1000005236](#)

[Warranty \(PDF\)](#)

Similar models are available with: Quick-Clip Mounting System, additional ADA depths





T&S BRASS AND BRONZE WORKS, INC.
 2 Saddleback Cove / P.O. Box 1088
 Travelers Rest, SC 29690

Model No.
MPY-8WLN-12-CR

Item No.

Travelers Rest, SC: 800-476-4103 • Simi Valley, CA: 800-423-0150 • Fax: 864-834-3518 • www.tsbrass.com

This Space for Architect/Engineer Approval

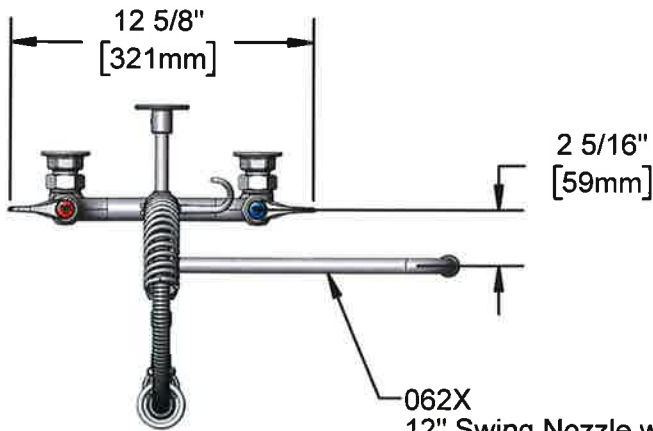
Job Name _____ Date _____

Model Specified _____ Quantity _____

Customer/Wholesaler _____

Contractor _____

Architect/Engineer _____



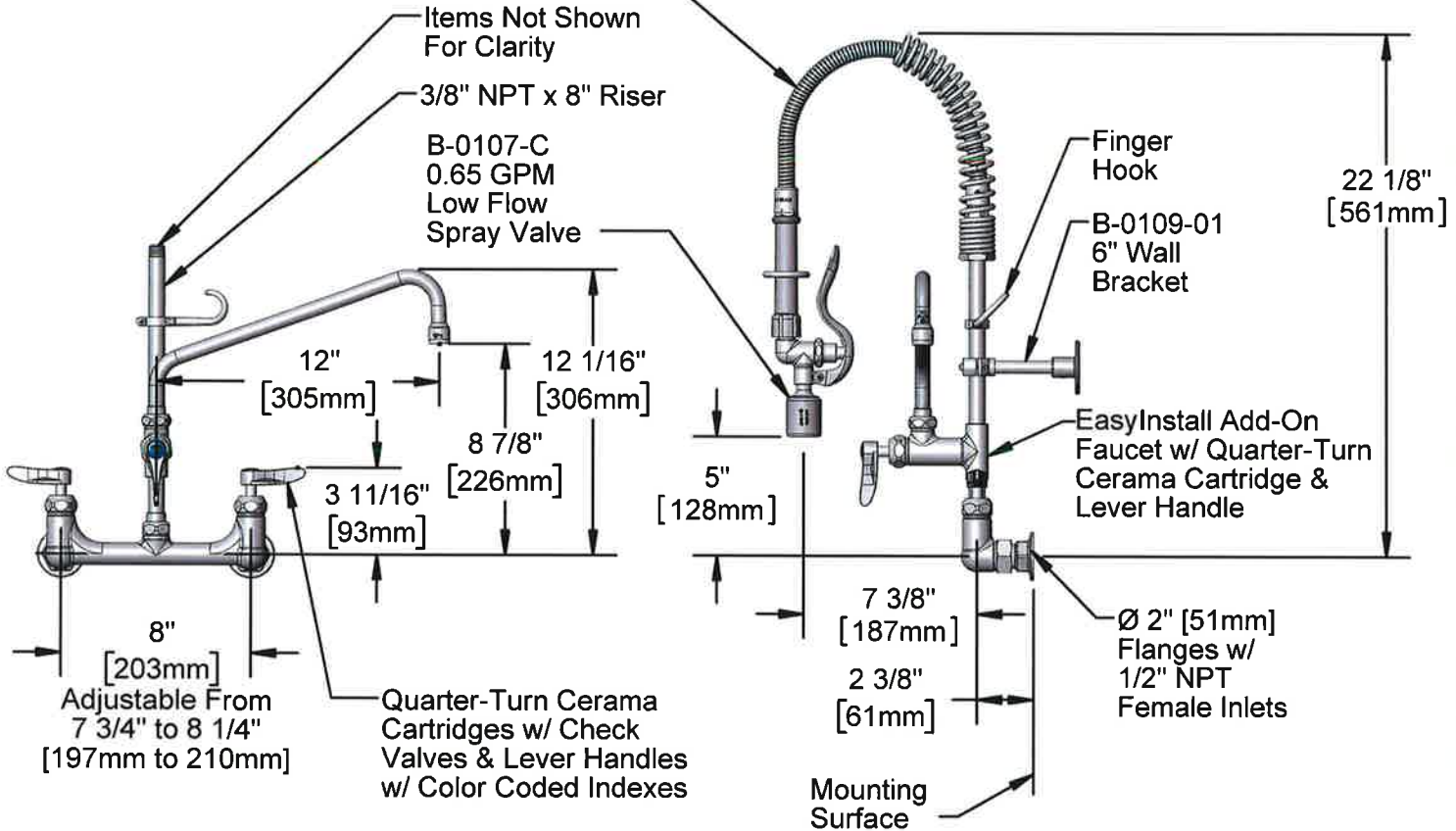
062X
 12" Swing Nozzle w/
 Stream Regulator Outlet

24" Flexible Stainless
 Steel Hose w/ Spring
 & Spray Valve

Items Not Shown
 For Clarity

3/8" NPT x 8" Riser

B-0107-C
 0.65 GPM
 Low Flow
 Spray Valve



Finger
 Hook

B-0109-01
 6" Wall
 Bracket

EasyInstall Add-On
 Faucet w/ Quarter-Turn
 Cerama Cartridge &
 Lever Handle

Ø 2" [51mm]
 Flanges w/
 1/2" NPT
 Female Inlets

Mounting
 Surface

Product Specifications:

Pre-Rinse Unit: EasyInstall 8" Wall Mount Mixing Faucet, Quarter-Turn Cerama Cartridges w/ Check Valves, Lever Handles, Add-On Faucet w/ 12" Swing Nozzle, Compact Spring, 24" Flexible Stainless Steel Hose, 0.65 GPM Low Flow Spray Valve, 6" Wall Bracket & 1/2" NPT Female Inlets

Product Compliance:

ASME A112.18.1 / CSA B125.1
 NSF 61 - Section 9
 NSF 372 (Low Lead Content)
 2019 DOE PRSV - Class I
 For Commercial Use Only



T&S BRASS AND BRONZE WORKS, INC.

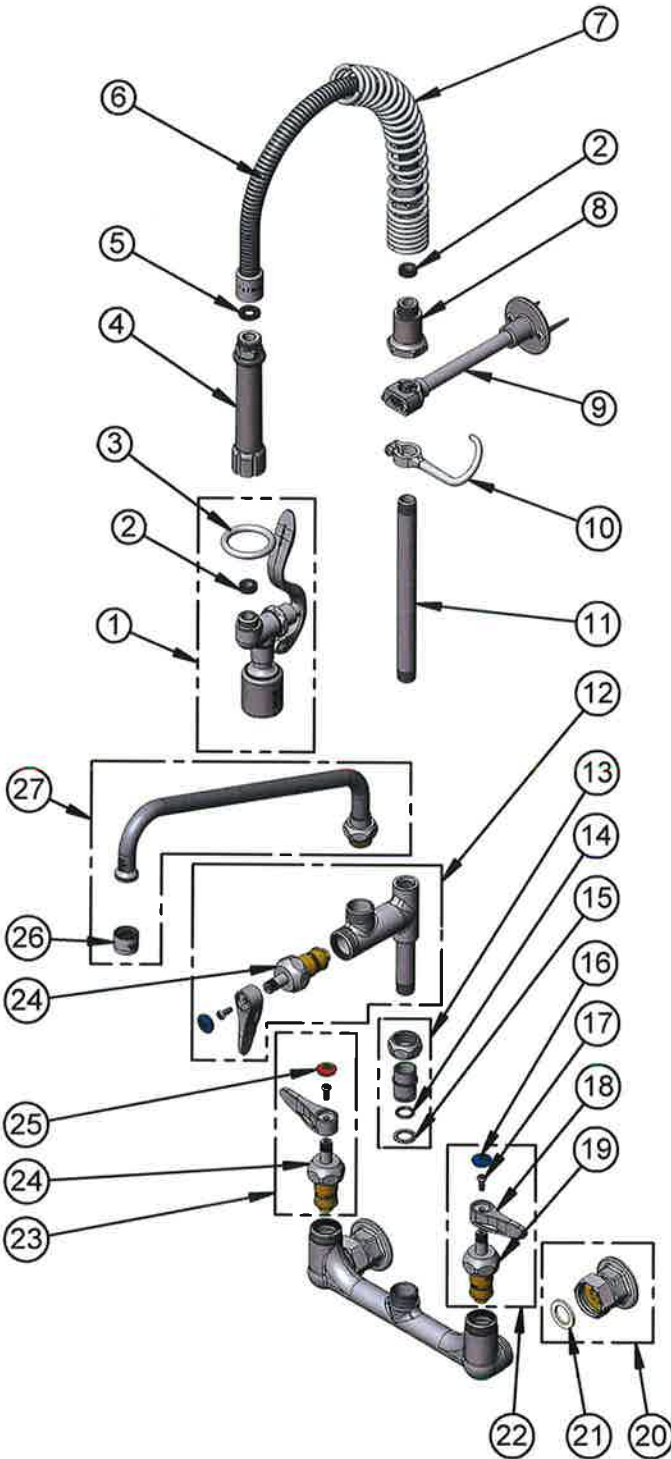
2 Saddleback Cove / P.O. Box 1088
Travelers Rest, SC 29690

Model No.

MPY-8WLN-12-CR

Item No.

Travelers Rest, SC: 800-476-4103 • Simi Valley, CA: 800-423-0150 • Fax: 864-834-3518 • www.tsbrass.com



ITEM NO.	SALES NO.	DESCRIPTION
1	B-0107-C	0.65 GPM Low Flow Spray Valve
2	010476-45	#27 Washer
3	000907-45	Spray Valve Hold Down Ring
4	002987-40	Grip Handle
5	001014-45	Washer, B-0100 Hose Barrel
6	B-0024-H2A	24" Flexible Stainless Steel Hose, Less Handle
7	016795-45	Compact Spring
8	000821-40	Spring Body
9	B-0109-01	6" Wall Bracket
10	004R	Finger Hook
11	078X	3/8" NPT x 8" Riser
12	B-0156-CR -LN	EasyInstall Add-On Faucet, Less Nozzle
13	EZ-K	EasyInstall Kit: Nut, Bushing, O-Ring & Lock Washer
14	001065-45	O-ring
15	014200-45	Star Washer, Anti-Rotation
16	018506-19NS	Blue Button Index, Press-in
17	000925-45	Lab Handle Screw
18	001638-45NS	Lever Handle (New Style)
19	012395-25NS	Quarter-Turn Cerama Cartridge w/ Check Valve, LTC
20	00AA	1/2" NPT Female Eccentric Flange
21	001019-45	Coupling Nut Washer
22	012447-25NS	Quarter-Turn Cerama Cartridge w/ Check Valve, Handle, Blue Index & Screw, LTC
23	012446-25NS	Quarter-Turn Cerama Cartridge w/ Check Valve, Handle, Red Index & Screw, RTC
24	012394-25NS	Quarter-Turn Cerama Cartridge w/ Check Valve, RTC
25	001193-19NS	Red Button Index, Press-in
26	B-PT	Full Flow Stream Regulator, 55/64-27
27	062X	12" Swing Nozzle

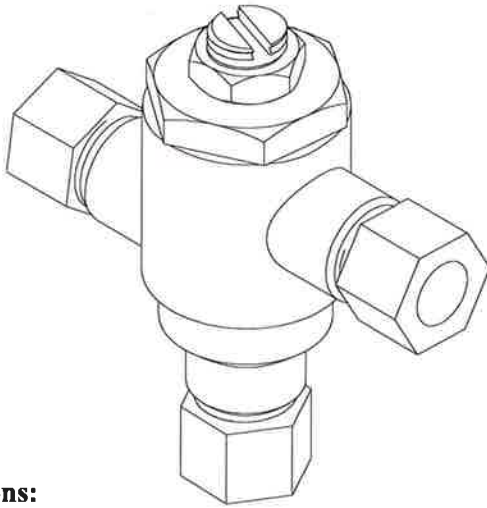
Product Specifications:

Pre-Rinse Unit: EasyInstall 8" Wall Mount Mixing Faucet, Quarter-Turn Cerama Cartridges w/ Check Valves, Lever Handles, Add-On Faucet w/ 12" Swing Nozzle, Compact Spring, 24" Flexible Stainless Steel Hose, 0.65 GPM Low Flow Spray Valve, 6" Wall Bracket & 1/2" NPT Female Inlets

Product Compliance:

ASME A112.18.1 / CSA B125.1
NSF 61 - Section 9
NSF 372 (Low Lead Content)
2019 DOE PRSV - Class I
For Commercial Use Only

170A-LF



Application:

The Model 170A-LF is a high performance thermostatic temperature limiting device used to supply single outlets. Can be used to supply one sensor faucet or one two handle manual faucet.

Features:

- Certified to ASSE 1070 to control down to 0.25 GPM
- Eco-Mix Certified Lead-Free* construction
- Integral inlet checks and stainless steel screens
- Vandal resistant locknut to prevent accidental adjustment
- Easy 3/8" tubing or flex hose installation

Specifications:

- Minimum flow: 0.25 GPM (0.95 l/Min) Certified to ASSE
- Maximum flow: 4 GPM
- Maximum pressure: 125 PSI (8.6 BAR)
- Maximum hot water temperature: 180°F (82°C)
- Hot water inlet temperature range: 120-180°F (49-82°C)
- Cold water inlet temperature range: 33-80°F (1-27°C)
- Temperature adjustment range: 95-120°F (35-49°C)

Certifications:

ASSE 1070-2015



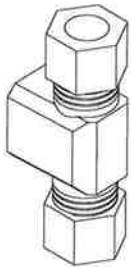
CSA B125.70-15



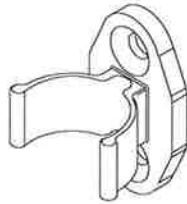
Certified to NSF61 thru the ASSE 1070 testing process

Options:

- STSTL REC- Stainless steel cabinet, #4 finish, recessed
- STSTL EXP- Stainless steel cabinet, #4 finish, exposed
- BWE REC- Steel cabinet, baked white, recessed
- BWE EXP- Steel cabinet, baked white, exposed
- BP- Cold water By-Pass (shipped loose)
- BRKT- mounting bracket (shipped loose)
- CP- Chrome plated finish



BP option



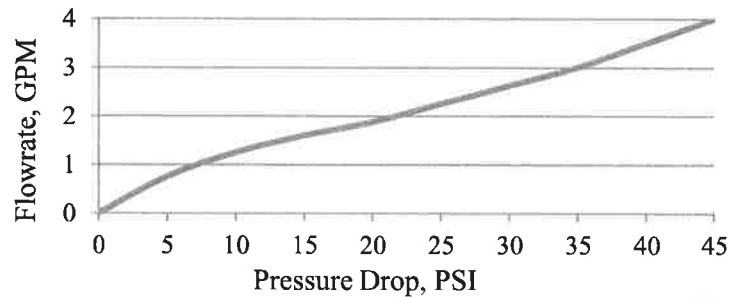
BRKT option



WARNING: This product can expose you to chemicals including lead, which is known to the State of California to cause cancer. For more information, go to www.P66966.ca.gov

* This product is certified to meet Low Lead requirements of wetted surface area containing less than 0.25% lead by weight

PRESSURE DROP							
5	10	15	20	30	45	PSI	
.35	.70	1.05	1.4	2.1	3.1	BAR	
0.75	1.25	1.6	1.88	2.63	4	GPM	
2.84	4.73	6.06	7.1	10	15	L/MIN	



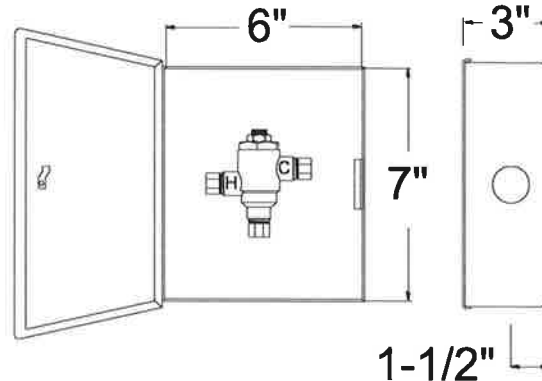
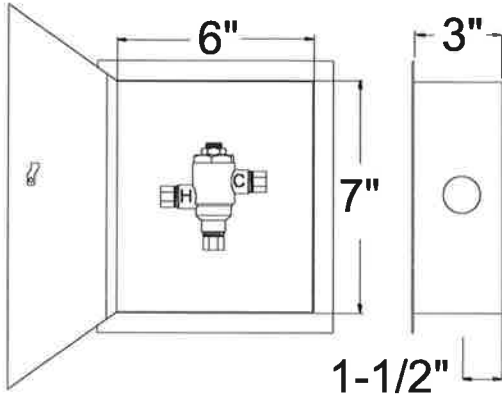
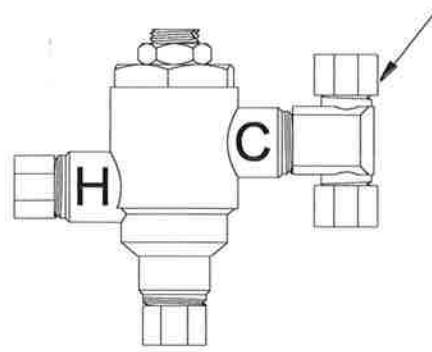
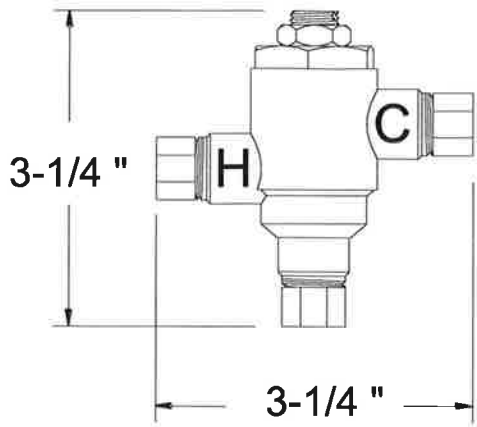
1360 Elmwood Avenue, Cranston, RI 02910 USA
 Phone: 401.461.1200 Fax: 401.941.5310
 Email: info@leonardvalve.com
 Web Site: <http://www.leonardvalve.com>

Engineer's Approval

Job # _____

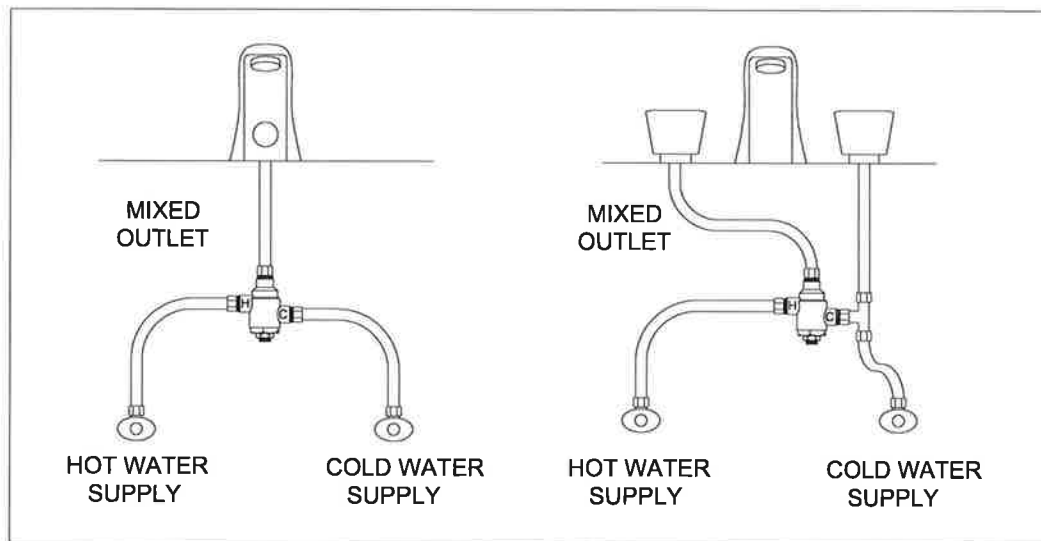
Arch/Eng. _____

Contractor _____



170A-LF-REC

170A-LF-EXP



170A-LF

170A-LF-BP



Note: Leonard Valve Company reserves the right of product, or design modifications without notice or obligation.

1360 Elmwood Avenue, Cranston, RI 02910 USA

Phone: 401.461.1200 Fax: 401.941.5310

Email: info@leonardvalve.com

Web Site: <http://www.leonardvalve.com>

© 2020 Leonard Valve Company
Printed in USA



McGuire Manufacturing Co., Inc.

60 Grandview Court
P.O. Box 746 ♣ Cheshire, CT 06410
203-699-1801 ♣ Fax: 203-699-1813
www.mcguiremfg.com

PRODUCT SPECIFICATION

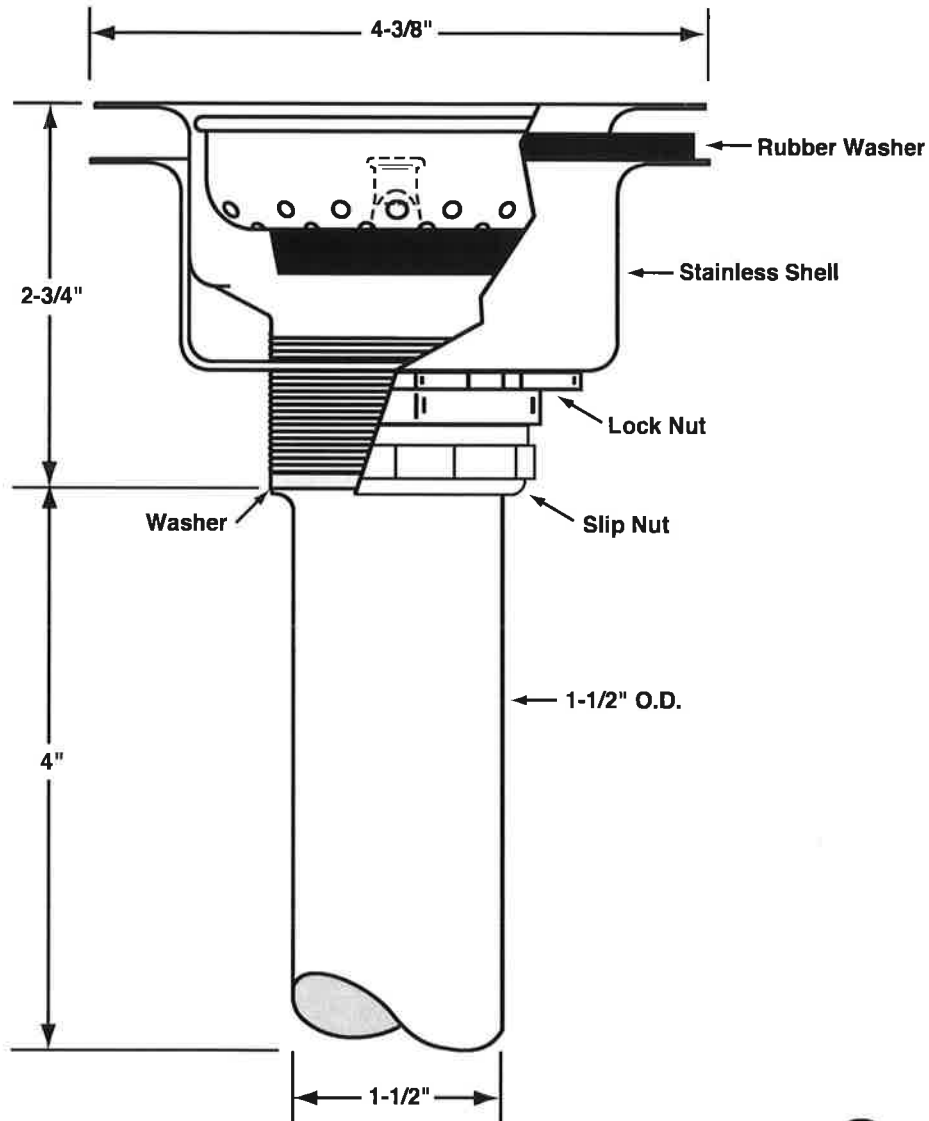
Part No.

151A

**Stainless Steel
Basket Strainer**

Job Name:

Submittal Number:



See options and accessories section for details on product variations.

Specifications:

Heavy Duty Forged Stainless Steel Basket Strainer with 1-1/2" x 4" seamless brass tailpiece, die cast slip and lock nuts. Basket Strainer shall be in compliance with CSA or other recognized testing authority and bear both manufacturer and testing mark.



McGuire Manufacturing Co., Inc.

60 Grandview Court
 Cheshire, Connecticut 06410
 (203) 699-1801 Fax (203) 699-1813
 customerservice@mcguiremfg.com mcguiremfg.com

Part No.

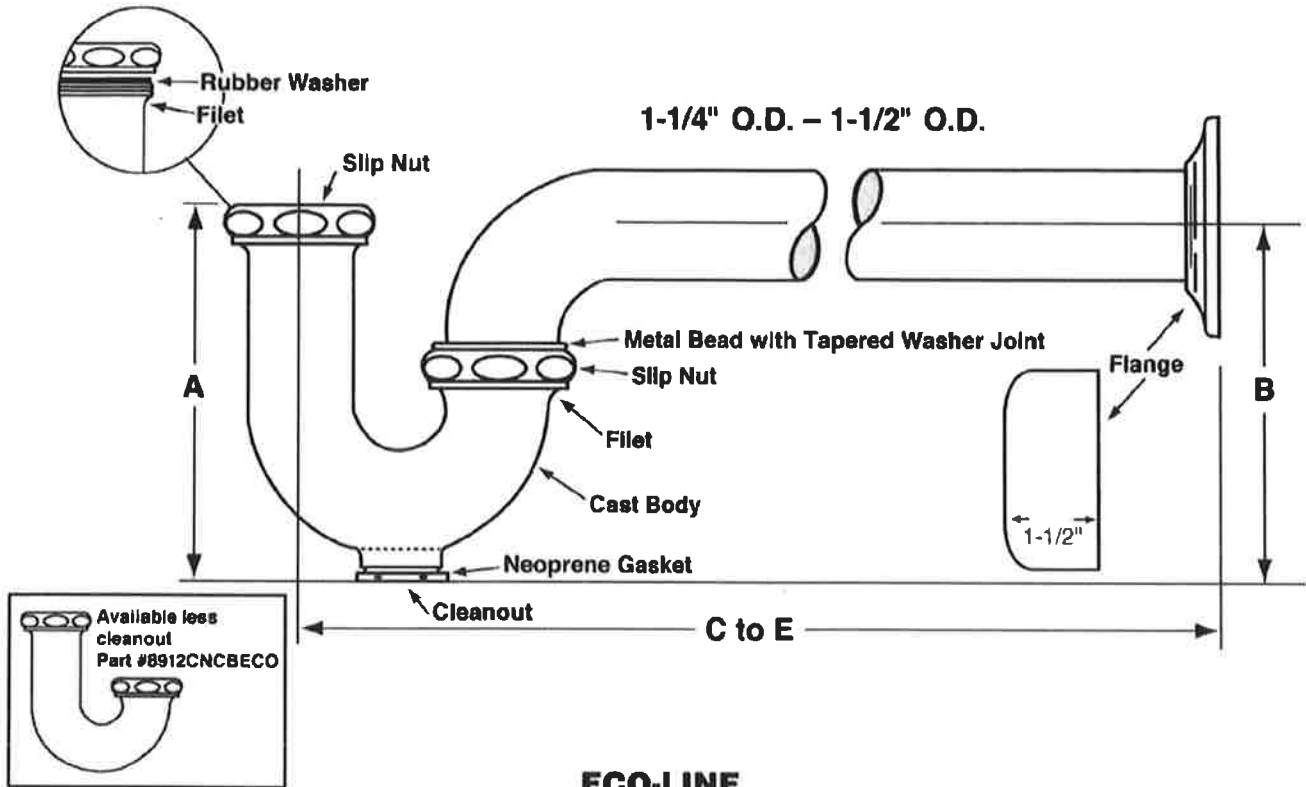
C8912CECO

PRODUCT SPECIFICATION

**Cast Body P-Trap With
 or Without Cleanout**

Job Name:

Submittal Number:



ECO-LINE

ROUGHING MEASUREMENTS

MODEL NO.	TRAP DIMENSIONS		A	B	C to E	FLANGE	SLIP NUT
	INLET	OUTLET					
C8912CECO	1-1/2", 1-1/4"	1-1/2"	5"	5"	10-1/2"	Shallow	Zinc

**FED SPEC W.W.P. 541
 CAST BRASS P-TRAP
 MINIMUM SEAL 2"**



ASME A112.18.2/CSA B125.2

Specifications:

Chrome plated P-Trap shall be cast brass body, with or without cleanout, with 17 gauge seamless tubular wall bend and flange.



WARNING:

This product can expose you to chemicals including lead, which is known to the State of California to cause cancer, and birth defects or other reproductive harm. For more information go to www.P65Warnings.ca.gov.



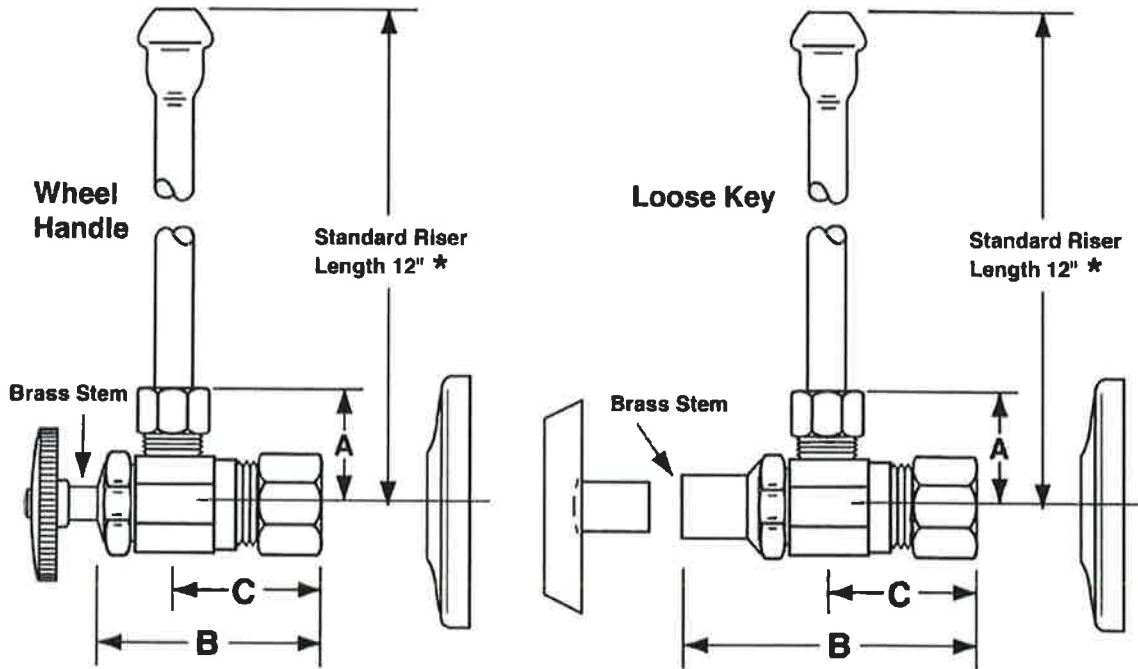
McGuire Manufacturing Co., Inc.
 60 Grandview Court
 P.O. Box 746 • Cheshire, CT 06410
 203-699-1801 • Fax: 203-699-1813
 www.mcguiremfg.com

PRODUCT SPECIFICATION

Part No.
 LF2165CC, **LF2165CCLK**,
 LF2167CC, LF2167CCLK
**Compression x Compression
 Lavatory Supply**

Job Name: _____

Submittal Number: _____



NO.	DESCRIPTION	ROUGHING MEASUREMENTS		
		A	B	C
LF2165CC	1/2" Nominal x 3/8" O.D.	1"	1-3/4"	1"
LF2165CCLK	1/2" Nominal x 3/8" O.D.	1"	2-3/8"	1"
LF2167CC	1/2" Nominal x 1/2" O.D.	1"	1-3/4"	1-1/4"
LF2167CCLK	1/2" Nominal x 1/2" O.D.	1"	2-3/8"	1-1/4"

LK designates Loose Key

* See options and accessories section for details on product variations.



Specifications:

Supply kit shall include low lead chrome plated supply brass stop valves with full turn brass stem, no plastic, (12, 15, 20) inch chrome plated risers and (shallow, deep, bell) (steel, brass) or (forged brass with set screw) flange. Inlet shall be (3/8, 1/2) inch IPS. Outlet shall be (3/8, 1/2) inch (IPS, compression). Supply kit shall be McGuire _____. Supply kit shall be low lead certified by recognized authority and bear manufacturer and testing mark.

HS-1

PRODUCT SPECIFICATIONS

Elkay Stainless Steel 16-3/4" x 15-1/2" x 13" Single Bowl Wall Hung Handwash Sink Kit. Sink is manufactured from 20 gauge 304 Stainless Steel with a Buffed Satin finish, Center drain placement.

Material:	304 Stainless Steel
Finish:	Buffed Satin
Gauge:	20
Number of Bowls:	1
Sink Dimensions:	16-3/4" x 15-1/2" x 13"
Bowl 1 Dimensions:	12" x 9-1/4" x 6"
Drain Size:	2" (51mm)
Drain Location:	Center



Included with Product: CHS17162 sink, one LK940GN04L2H faucet, one LK8 drain fitting, and one LK500 P-trap

A Century of Tradition and Quality. For more than 100 years, Elkay has been making innovative products and providing exceptional customer care. We take pride in offering plumbing products that make life easier, inspire change and leave the world a better place.




Product Compliance: ASME A112.19.3/CSA B45.4
NSF 2
Faucet: ASME A112.18.1/CSA B125.1
CEC
NSF 372 (lead free)
NSF 61 (Q≤1)
Accessory: ASME A112.18.2/CSA B125.2

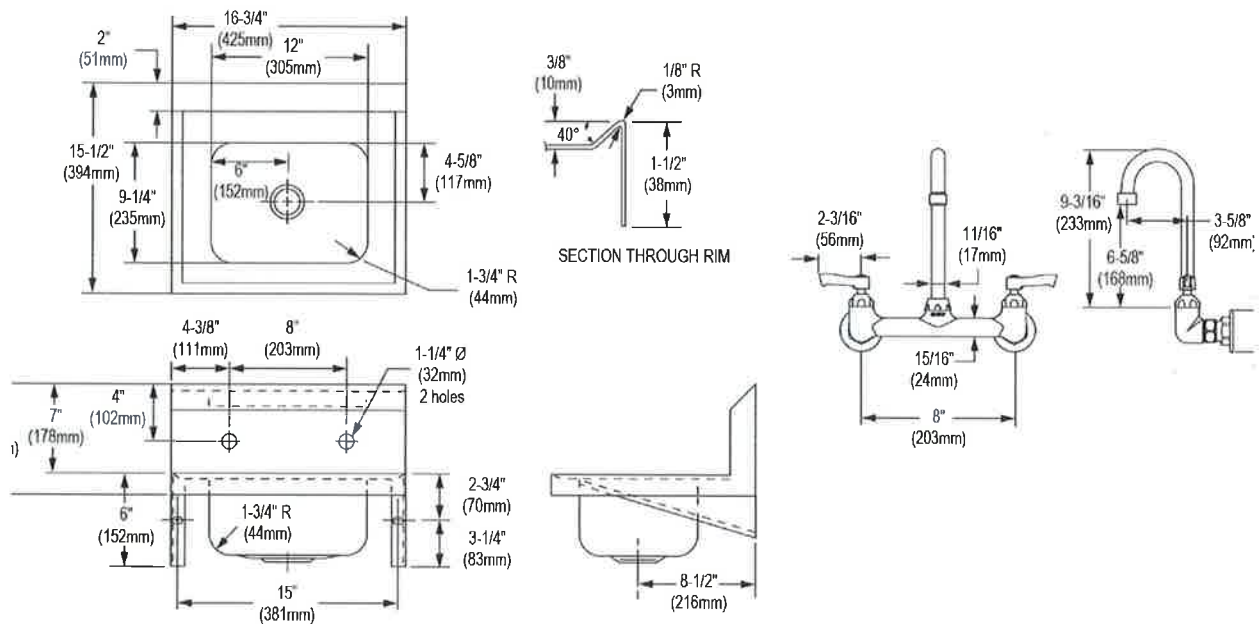


[Clean and Care Manual \(PDF\)](#)
[Installation Instructions \(PDF\) - 74180184](#)
[Installation Instructions \(PDF\) - A55483](#)
[Installation Instructions \(PDF\) - 1000005235 drain](#)
[Warranty \(PDF\)](#)

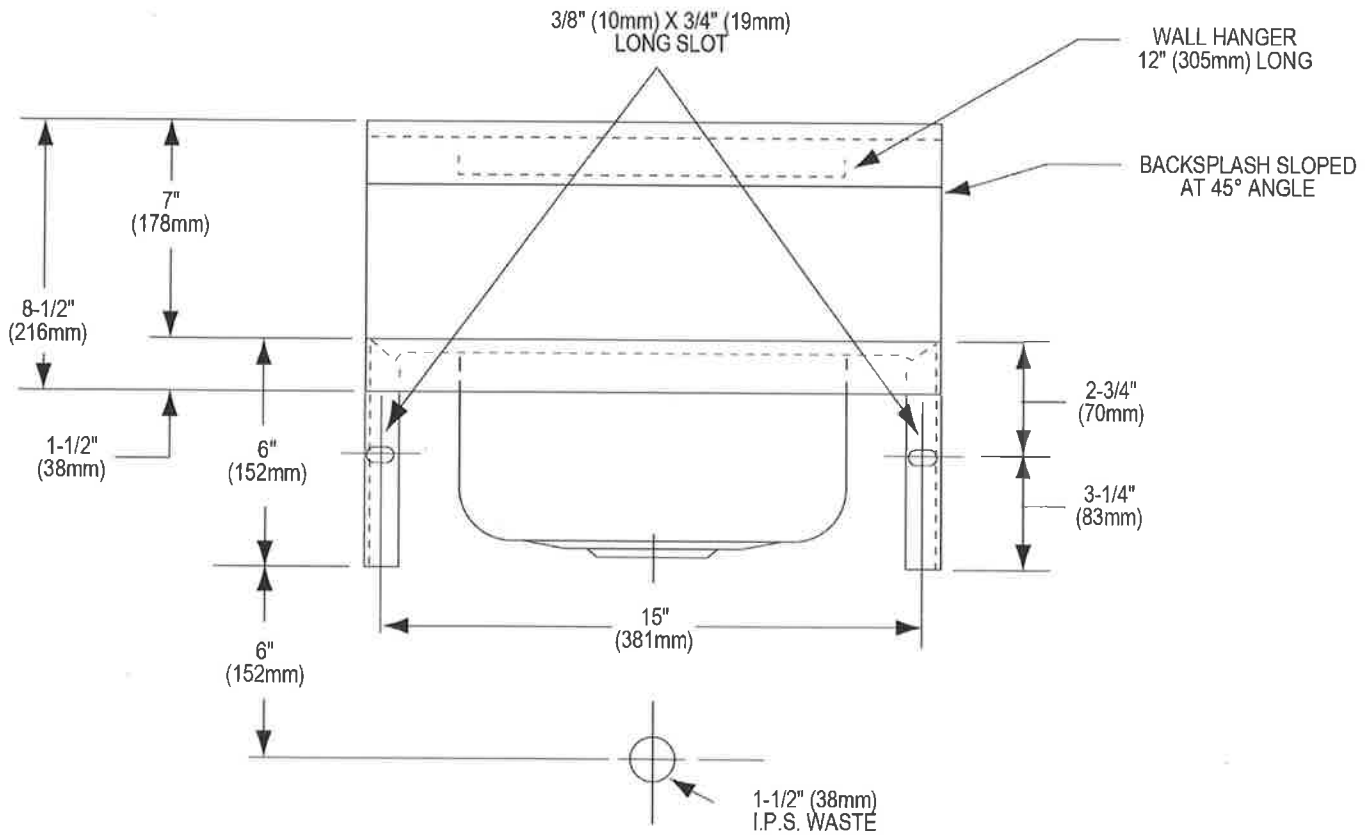
PART: _____ QTY: _____
PROJECT: _____
CONTACT: _____
DATE: _____
NOTES: _____
APPROVAL: _____

In keeping with our policy of continuing product improvement, Elkay reserves the right to change product specifications without notice. Please visit elkay.com for the most current version of Elkay product specification sheets. This specification describes an Elkay product with design, quality, and functional benefits to the user. When making a comparison of other producers' offerings, be certain these features are not overlooked.

Included Accessories		
LK500	Elkay P-Trap with Cleanout Plug Spec Sheet (PDF)	
LK8	Elkay 2" Drain Fitting Type 304 Stainless Steel Body Grid Strainer and Tailpiece Spec Sheet (PDF)	
LK940GN04L2H	Elkay Scrub/Handwash 8" Centerset Wall Mount Faucet with 4" Gooseneck Spout 2" Lever Handles 1/2" Offset Inlets Spec Sheet (PDF)	



In keeping with our policy of continuing product improvement, Elkay reserves the right to change product specifications without notice. Please visit elkay.com for the most current version of Elkay product specification sheets. This specification describes an Elkay product with design, quality, and functional benefits to the user. When making a comparison of other producers' offerings, be certain these features are not overlooked.



In keeping with our policy of continuing product improvement, Elkay reserves the right to change product specifications without notice. Please visit elkay.com for the most current version of Elkay product specification sheets. This specification describes an Elkay product with design, quality, and functional benefits to the user. When making a comparison of other producers' offerings, be certain these features are not overlooked.

PRODUCT SPECIFICATIONS

Elkay® Scrub/Handwash 8" Centerset Wall Mount Faucet with 4" Gooseneck Spout 2" Lever Handles 1/2" Offset Inlets. Faucet has a flow rate of 1.5 GPM, and is made of Chrome-plated Brass material, with a Quarter Turn Ceramic Disc valve. Faucet requires 2 faucet holes.

Mounting Type:	Wall Mount
Special Features:	1/2" Adjustable Inlets Low Flow Solid Brass Construction Spout Swing Restriction Pin
Finish:	Chrome (CR)
Handle Type:	2" Lever Handle
Deck Clearance:	6-5/8"
Spout Reach:	3-5/8"
Spout Height:	9-3/16"
Hole Drillings:	2
Material:	Chrome-plated Brass
Valve Type:	Quarter Turn Ceramic Disc
Valve Connection:	1/2" NPT Female
Flow Rate:	1.5 GPM
Faucet Hole Size (min):	1-1/2"
Faucet Hole Spread:	8
Spout Type:	Gooseneck

Special Note: 1.5 GPM VR aerator installed with 2.2 and .5 GPM inserts included



Chrome (CR)



A Century of Tradition and Quality.

For more than 100 years, Elkay has been making innovative products and providing exceptional customer care. We take pride in offering plumbing products that make life easier, inspire change and leave the world a better place.

Product Compliance: ADA & ICC A117.1
ASME A112.18.1/CSA B125.1
CEC
NSF 372 (lead free)
NSF 61 (Q≤1)

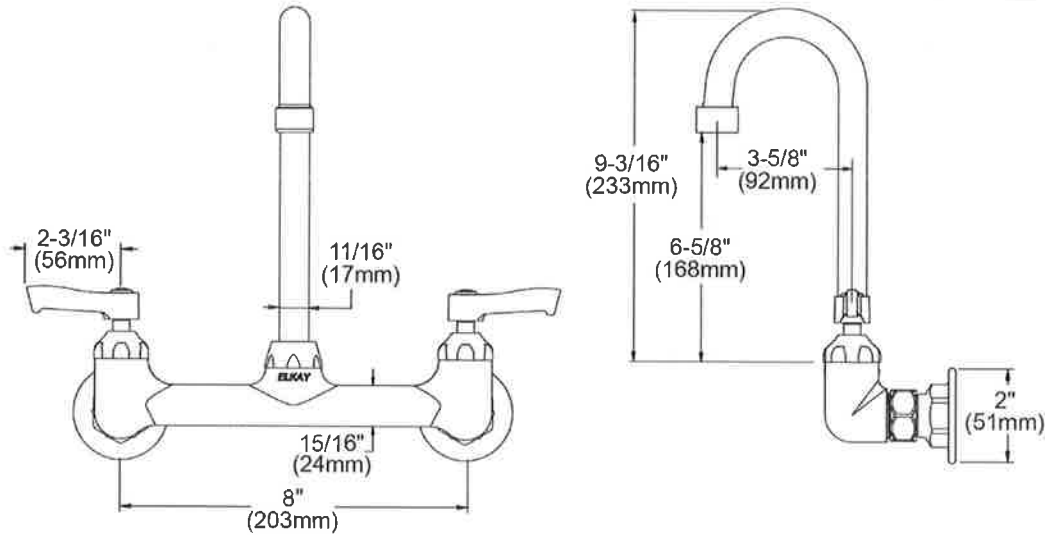


Complies with ADA & ICC A117.1 accessibility requirements when installed according to the requirements outlined in these standards.

[Clean and Care Manual \(PDF\)](#)
[Installation Instructions \(PDF\) - A55483](#)
[Warranty \(PDF\)](#)

PART: _____ QTY: _____
PROJECT: _____
CONTACT: _____
DATE: _____
NOTES: _____
APPROVAL: _____

In keeping with our policy of continuing product improvement, Elkay reserves the right to change product specifications without notice. Please visit elkay.com for the most current version of Elkay product specification sheets. This specification describes an Elkay product with design, quality, and functional benefits to the user. When making a comparison of other producers' offerings, be certain these features are not overlooked.



In keeping with our policy of continuing product improvement, Elkay reserves the right to change product specifications without notice. Please visit elkay.com for the most current version of Elkay product specification sheets. This specification describes an Elkay product with design, quality, and functional benefits to the user. When making a comparison of other producers' offerings, be certain these features are not overlooked.

PRODUCT SPECIFICATIONS

Elkay 2" Drain Fitting Type 304 Stainless Steel Body Grid Strainer and Tailpiece. Overall dimensions are 2-7/8" x 2-7/8" x 5-9/16". Made of Stainless Steel.

Material:	Stainless Steel
Finish:	Polished Stainless Steel
Dimensions:	2-7/8" x 2-7/8" x 5-9/16"
Shipping Weight:	1 lbs.

- 1-1/2" O.D. x 4" Type 304 stainless steel tailpiece.



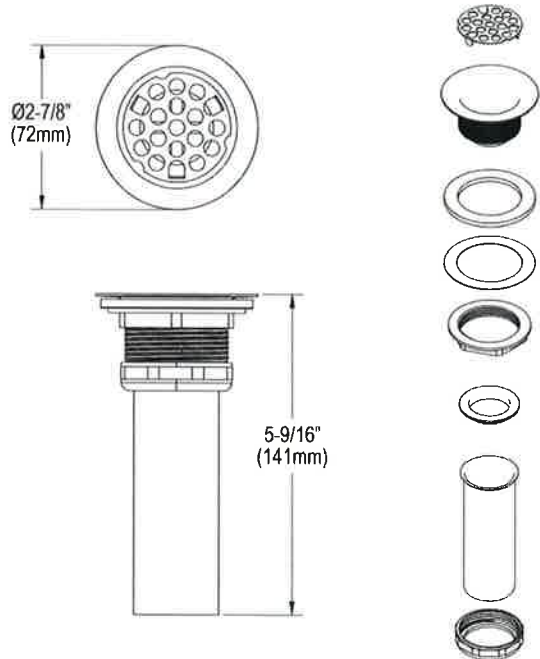
A Century of Tradition and Quality.

For more than 100 years, Elkay has been making innovative products and providing exceptional customer care. We take pride in offering plumbing products that make life easier, inspire change and leave the world a better place.

Product Compliance: ASME A112.18.2/CSA B125.2

[Clean and Care Manual \(PDF\)](#)

[Installation Instructions \(PDF\) - 1000005235](#)



PART: _____ QTY: _____

PROJECT: _____

CONTACT: _____

DATE: _____

NOTES: _____

APPROVAL: _____

In keeping with our policy of continuing product improvement, Elkay reserves the right to change product specifications without notice. Please visit elkay.com for the most current version of Elkay product specification sheets. This specification describes an Elkay product with design, quality, and functional benefits to the user. When making a comparison of other producers' offerings, be certain these features are not overlooked.

PRODUCT SPECIFICATIONS

Elkay® P-Trap with Cleanout Plug. Overall dimensions are 13-3/4" x 1-1/2" x 6". Made of Chrome-plated Brass.

Material:	Chrome-plated Brass
Finish:	Chrome (CR)
Dimensions:	13-3/4" x 1-1/2" x 6"
Shipping Weight:	2 lbs.

- 1-1/2" foot P-trap with cleanout plug.
- 1-1/2" O.D. tubing waste arm to wall and wall flange.
- 12" from the center of drain inlet to wall.



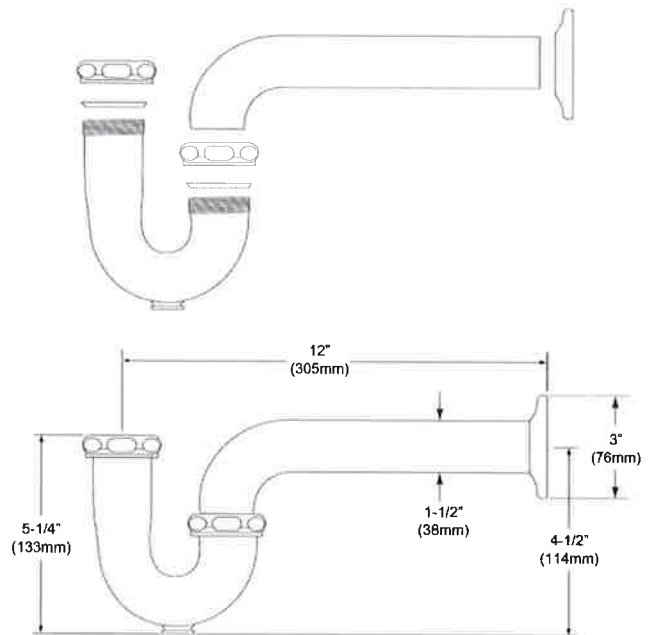
A Century of Tradition and Quality. For more than 100 years, Elkay has been making innovative products and providing exceptional customer care. We take pride in offering plumbing products that make life easier, inspire change and leave the world a better place.



Product Compliance: ASME A112.18.2/CSA B125.2

[Clean and Care Manual \(PDF\)](#)

[Warranty \(PDF\)](#)



PART: _____ QTY: _____

PROJECT: _____

CONTACT: _____

DATE: _____

NOTES: _____

APPROVAL: _____

In keeping with our policy of continuing product improvement, Elkay reserves the right to change product specifications without notice. Please visit elkay.com for the most current version of Elkay product specification sheets. This specification describes an Elkay product with design, quality, and functional benefits to the user. When making a comparison of other producers' offerings, be certain these features are not overlooked.



McGuire Manufacturing Co., Inc.
 60 Grandview Court
 P.O. Box 746 • Cheshire, CT 06410
 203-699-1801 • Fax: 203-699-1813
 www.mcguiremfg.com

PRODUCT SPECIFICATION

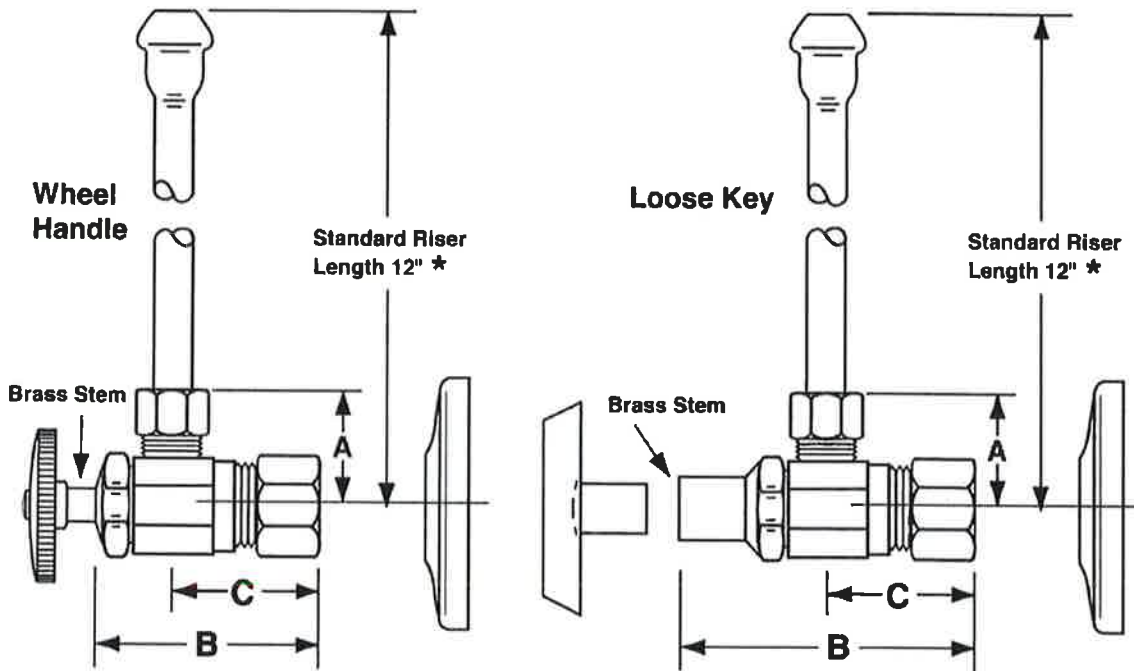
Part No.

LF2165CC, **LF2165CCLK**,
 LF2167CC, LF2167CCLK

**Compression x Compression
 Lavatory Supply**

Job Name: _____

Submittal Number: _____



NO.	DESCRIPTION	ROUGHING MEASUREMENTS		
		A	B	C
LF2165CC	1/2" Nominal x 3/8" O.D.	1"	1-3/4"	1"
LF2165CCLK	1/2" Nominal x 3/8" O.D.	1"	2-3/8"	1"
LF2167CC	1/2" Nominal x 1/2" O.D.	1"	1-3/4"	1-1/4"
LF2167CCLK	1/2" Nominal x 1/2" O.D.	1"	2-3/8"	1-1/4"

LK designates Loose Key

* See options and accessories section for details on product variations.



Specifications:

Supply kit shall include low lead chrome plated supply brass stop valves with full turn brass stem, no plastic, (12, 15, 20) inch chrome plated risers and (shallow, deep, bell) (steel, brass) or (forged brass with set screw) flange. Inlet shall be (3/8, 1/2) inch IPS. Outlet shall be (3/8, 1/2) inch (IPS, compression). Supply kit shall be McGuire _____. Supply kit shall be low lead certified by recognized authority and bear manufacturer and testing mark.

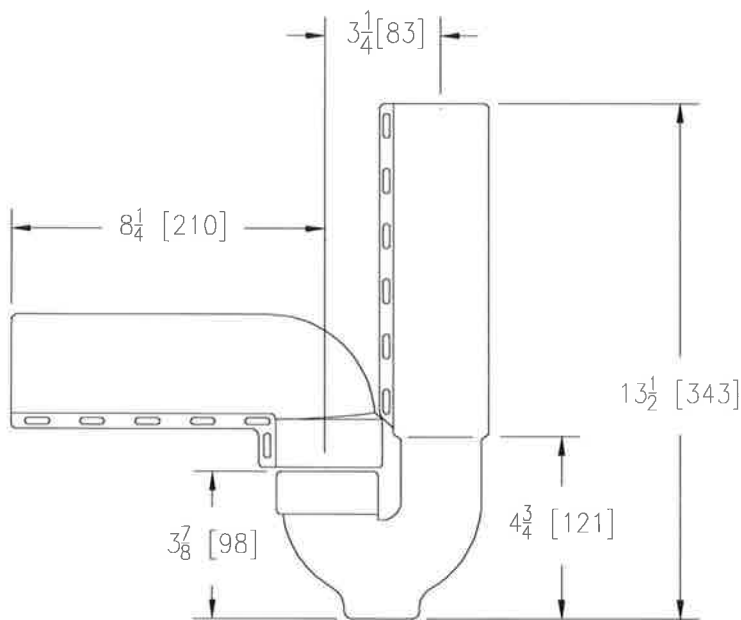


COMBINATION KIT: ONE TRAP AND TWO SUPPLY STOP PROTECTORS

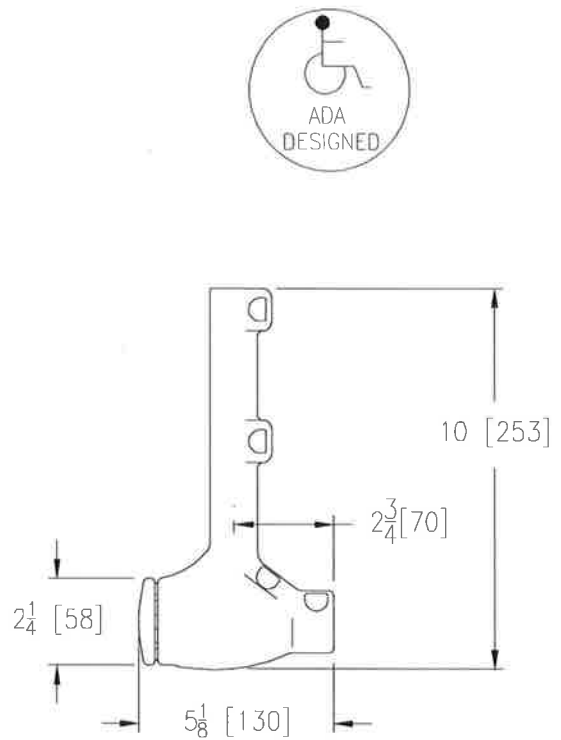
Z8946-1-NT

TAG HS-1

ENGINEERING SPECIFICATION: ZURN Z8946-1-NT Combination Kit: One trap protector and two supply stop protectors, satin white PVC resin. Antimicrobial, resists thermal transfer, and is ADA compliant. Trap protector fits both tubular and semi-cast P traps.



TRAP PROTECTOR



SUPPLY STOP PROTECTOR

ZURN INDUSTRIES, INC. ♦ COMMERCIAL BRASS OPERATION ♦ 2640 SOUTH WORK STREET ♦ FALCONER NY 14733

Phone: 1-716-665-1132 ♦ Fax: 1-716-665-1135 ♦ World Wide Web: www.zurn.com

In Canada: ZURN INDUSTRIES LIMITED ♦ 3544 Nashua Drive ♦ Mississauga, Ontario L4V1L2 ♦ Phone: 905/405-8272 Fax: 905/405-1292

SS-1

**TERRAZZO
12" MOP SERVICE BASIN**

- One piece, precast terrazzo made of black and white marble chips in gray portland cement to produce a compressive strength not less than 3000 P.S.I. seven days after casting.
- Terrazzo surface shall be ground and polished with all air holes or pits grouted and excess removed.
- Shoulders shall be not less than 12" high outside and 10" inside at lowest wall.
- Shoulder width not less than 2" on all sides with a 1/4" pitch towards the inside.
- Standard drain body is stainless steel cast integrally and provides for a caulked lead connection not less than 1" deep to a 3" pipe.
- Stainless steel strainer # 1453BB
- Made in the U.S.A.

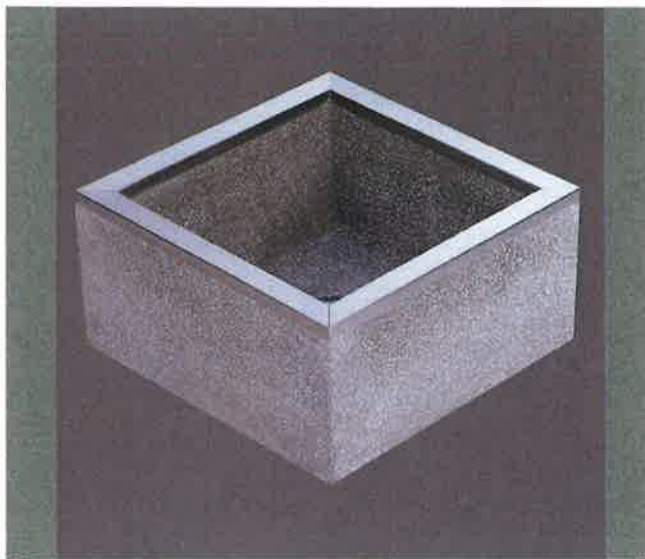
Options:

- QDC quick drain connectors
- Stainless steel tiling flanges available with up-charge. Must be custom order.
- Vandal proof drain. Must be custom order.

- ➔ **TSB100, TSB300, TSB500, TSB700 Series** with stainless steel caps on all curbs
- TSB200, TSB400, TSB600, TSB800 Series** with plain curbs

Optional Components:

- 830AA** Mop Service Basin Fitting
- ➔ **832AA** Hose & Hose Bracket
- ➔ **889CC** Mop Hanger
- 1239BB** Aluminum Bumperguard with Vinyl Insert
- 833AA** Silicone Sealant
- MSG** Wall Guards - Stainless Steel
 - Wall Guards are manufactured of heavy gauge stainless steel and help protect walls adjacent to Mop Basin. Two panels are required for corner installations. Optional third panel is required for a recessed installation. (MSG2424; MSG2828; MSG3232; MSG3624; MSG3636)



Shown: TSB500

SEE REVERSE FOR ROUGHING-IN DIMENSIONS

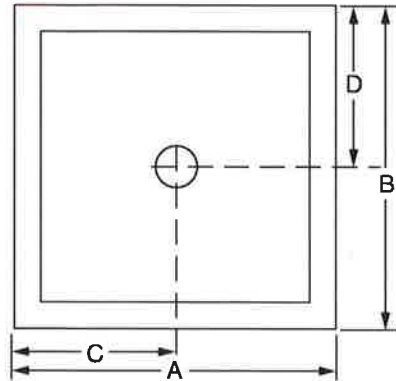
INSTALLATIONS: Terrazzo Mop Basins **must** be installed on a 1/2" layer of mortar in order that the mop basin be level and to prevent cracking. Failure to install terrazzo without a mortar bed will void the warranty. Installations require a 1/4" clearance between mop basin and wall.

IMPORTANT: Rough-in dimensions may vary 1/2" (13mm) and are subject to change or cancellation without prior notice.

CERTIFICATIONS:

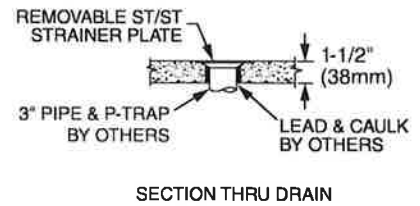
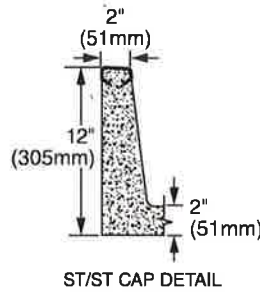
All models are UPC and CUPC Listed





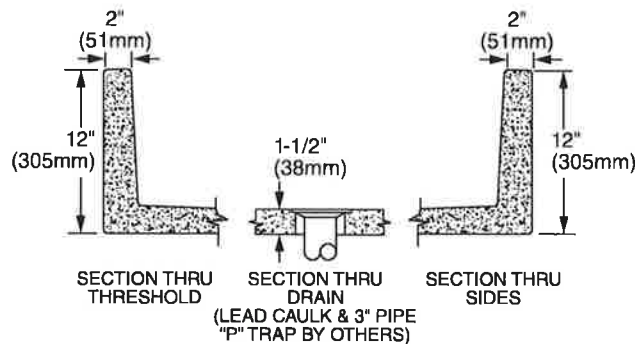
Series TSB100
With Stainless Steel Caps On All Curbs

MODEL	SIZE	A	B	C	D
TSB100	24" x 24" x 12"	24	24	12	12
TSB300	32" x 32" x 12"	32	32	16	16
TSB500	36" x 36" x 12"	36	36	18	18
TSB700	36" x 24" x 12"	36	24	18	12



Series TSB200
With Plain Curbs

MODEL	SIZE	A	B	C	D
TSB200	24" x 24" x 12"	24	24	12	12
TSB400	32" x 32" x 12"	32	32	16	16
TSB600	36" x 36" x 12"	36	36	18	18
TSB800	36" x 24" x 12"	36	24	18	12



IMPORTANT: Roughing in dimensions may vary 1/2" and are subject to change or cancellation without prior notice.



T&S BRASS AND BRONZE WORKS, INC.

2 Saddleback Cove / P.O. Box 1088
Travelers Rest, SC 29690

Model No.

B-0665-BSTP

Item No.

Travelers Rest, SC: 800-476-4103 • Simi Valley, CA: 800-423-0150 • Fax: 864-834-3518 • www.tsbrass.com



ADA Compliant

This Space for Architect/Engineer Approval

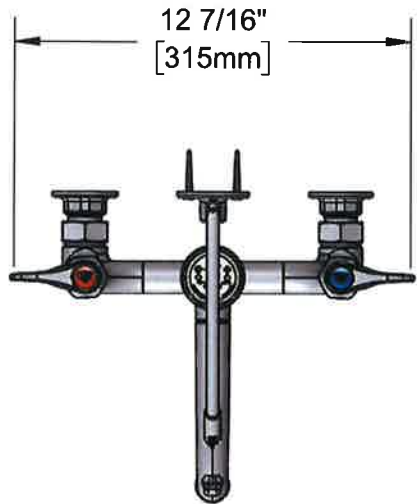
Job Name _____ Date _____

Model Specified _____ Quantity _____

Customer/Wholesaler _____

Contractor _____

Architect/Engineer _____



Support Rod w/
Wall Bracket &
Mounting Screws

Items Not Shown
for Clarity

B-0969
1/2" NPT Vacuum
Breaker

Quarter-Turn
Eterna Cartridges w/
Spring Check &
Lever Handles w/
Color Coded Indexes

Garden Hose
Male Outlet

Ø 2" [51mm]
Flanges w/
1/2" NPT
Female Inlets

Built-In Service
Stops

Mounting
Surface

14 5/16"
[364mm]

3 15/16"
[100mm]

8"
[203mm]
Adjustable From
7 3/4" to 8 1/4"
[197mm to 210mm]

2 11/16"
[68mm]

9 1/8"
[232mm]

Product Specifications:

8" Wall Mount Service Sink, Quarter-Turn Eterna Cartridges w/ Spring Checks, Lever Handles, Upper Support Rod, Built-In Stops, Garden Hose Male Outlet, Polished Chrome Finish, 1/2" NPT Vacuum Breaker & 1/2" NPT Female Inlets

Product Compliance:

ASME A112.18.1 / CSA B125.1
NSF 61 - Section 9
NSF 372 (Low Lead Content)
ANSI A117.1 (ADA)
ASSE 1001 (VB)



T&S BRASS AND BRONZE WORKS, INC.

2 Saddleback Cove / P.O. Box 1088
Travelers Rest, SC 29690

Model No.

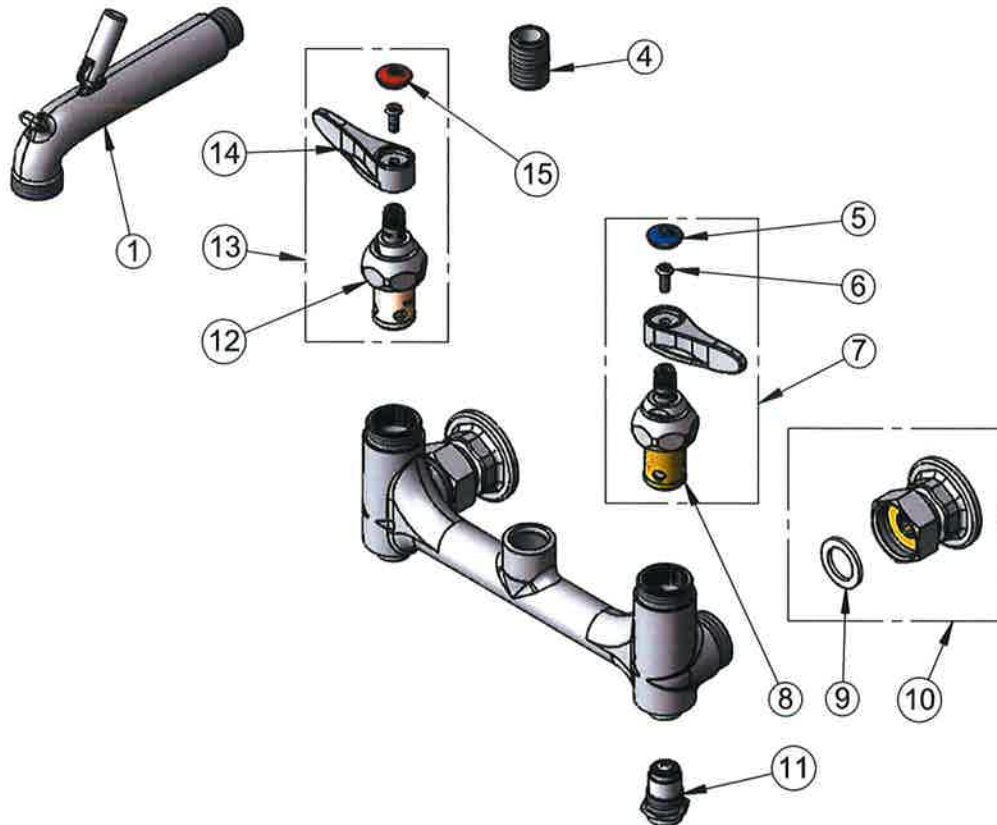
B-0665-BSTP

Item No.

Travelers Rest, SC: 800-476-4103 • Simi Valley, CA: 800-423-0150 • Fax: 864-834-3518 • www.tsbrass.com



ITEM NO.	SALES NO.	DESCRIPTION
1	009545-40	Spout w/ Male GH Outlet & Upper Clevis - Polished Chrome
2	009546-40	Upper Support Rod
3	B-0969	1/2" NPT Vacuum Breaker
4	002534-25	Close Nipple, 1/2" NPT
5	018506-19NS	Blue Button Index, Press-in
6	000925-45	Lab Handle Screw
7	002711-40NS	Quarter-Turn Eterna Cartridge w/ Spring Check, Handle, Blue Index & Screw, LTC
8	012442-40NS	Quarter-Turn Eterna Cartridge w/ Spring Check, LTC
9	001019-45	Coupling Nut Washer
10	00AA	1/2" NPT Female Eccentric Flange
11	163A	Built-in Service Stop
12	012443-40NS	Quarter-Turn Eterna Cartridge w/ Spring Check, RTC
13	002712-40NS	Quarter-Turn Eterna Cartridge w/ Spring Check, Handle, Red Index & Screw, RTC
14	001638-45NS	Lever Handle (New Style)
15	001193-19NS	Red Button Index, Press-in



Product Specifications:

8" Wall Mount Service Sink, Quarter-Turn Eterna Cartridges w/ Spring Checks, Lever Handles, Upper Support Rod, Built-In Stops, Garden Hose Male Outlet, Polished Chrome Finish, 1/2" NPT Vacuum Breaker & 1/2" NPT Female Inlets

Product Compliance:

ASME A112.18.1 / CSA B125.1
NSF 61 - Section 9
NSF 372 (Low Lead Content)
ANSI A117.1 (ADA)
ASSE 1001 (VB)

Molded Stone[®] Mop Service Basins

FIAT



These rugged molded stone mop service basins are manufactured from the SMC process under the highest quality standards. The quality control molding is achieved in matched metal dies under intense heat and pressure with the result being a one-piece, dependable homogeneous product. Color is White.

SPECIFICATIONS

- 10" (254) high walls with 1" (25) wide shoulders. Model MSB-3624 includes an integrally molded shelf 10 9/16" (268) wide
- Stainless steel factory installed drain body complete with a QDC-3 joint connector for a 3" (76) drain pipe
- A combination dome strainer and stainless steel lint basket is included

Ces robustes cuves d'entretien de vadrouilles molded stone sont fabriquées grâce au procédé SMC selon les normes de qualité les plus rigoureuses afin d'en assurer la durabilité et d'éliminer les problèmes après l'installation. Le moulage se fait dans des matrices métalliques jumelées, à haute température et sous une forte pression, ce qui assure un produit homogène et fiable d'une seule pièce. La couleur est le blanc.

CARACTÉRISTIQUES

- Côtés de 10 po (254) avec épaulement de 1 po (25). Le modèle MSB-3624 comprend une tablette moulée intégrée de 10 9/16 po (268)
- Renvoi en acier inoxydable avec raccord QDC-3 pour tuyau de renvoi de 3 po (76)
- Crépine en coupole et filtre à charpie en acier inoxydable combinés compris

DIMENSIONS

MSB-3624

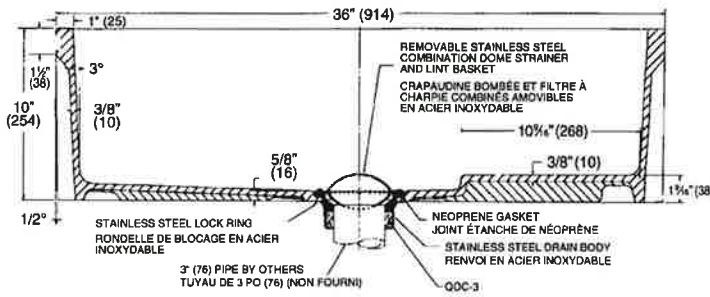
- ~~36" x 24" x 10" (914 x 610 x 254)~~
- Shipping weight / Poids à l'expédition: 70 lbs (32 kg)

MSB-2424

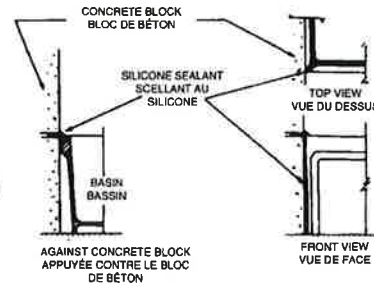
- ~~24" x 24" x 10" (610 x 610 x 254)~~
- Shipping weight / Poids à l'expédition: 50 lbs (23 kg)

OPTIONAL EQUIPMENT / ÉQUIPEMENT FACULTATIF

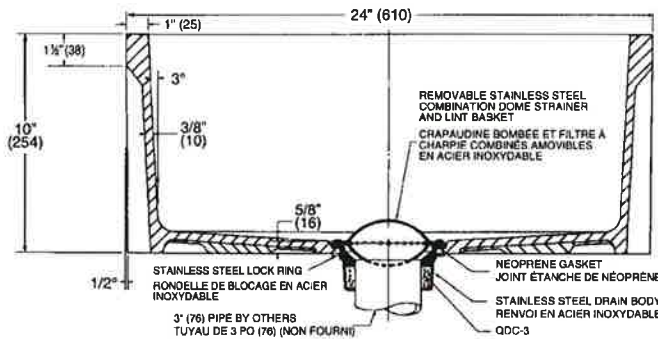
<p>830 AA – Wall mounted service faucet, chrome plated with vacuum breaker, integral stops, adjustable wall brace, pail hook and 3/4" (19) hose thread on spout. Body inlets 8" (203) center to center, four arm handles. Centre of spout outlet from back of wall flange 9 3/8" (238). CSA approved</p>		<p>830 AA – Robinet de service mural chromé avec coupe-vide, dispositif d'arrêt intégré, attache murale réglable et filets pour boyau 3/4 po (19) sur le bec. Conduites d'alimentation à 8 po (203) de centre à centre et clés à quatre ailettes. 9 3/8 po (238) entre le centre du bec et l'arrière de la bride murale. Homologué par L'ANCOR</p>																																								
<p>889 CC – Mop Bracket, 24" (610) long x 3" (76) wide, stainless steel with three (3) rubber grips</p>		<p>889 CC – crochet pour vadrouille, 24 po (610) de long par 3 po (76) de large, en acier inoxydable et muni de trois pinces à outils en caoutchouc</p>																																								
<p>E-77-AA – Vinyl bumper guards in 24" or 36" length</p>		<p>E-77-AA – butoirs en vinyle en 24 po ou 36 po de long</p>																																								
<p>1453 BB – Flat stainless steel strainer</p>		<p>1453 BB – Crépine plate en acier inoxydable pour utilisation résidentielle</p>																																								
<p>Quick Drain Connectors (QDC's)</p> <table border="1"> <thead> <tr> <th>For Use With</th> <th>QDC 3.2</th> <th>QDC 3SN</th> <th>QDC 3XH</th> <th>QDC 4</th> </tr> </thead> <tbody> <tr> <td>CAST IRON SOIL PIPE</td> <td>•</td> <td>•</td> <td>•</td> <td>•</td> </tr> <tr> <td>P.V.C. SCHED. 40 D.W.V.</td> <td>•</td> <td></td> <td>•</td> <td>•</td> </tr> <tr> <td>STEEL SCHED. 40</td> <td>•</td> <td></td> <td>•</td> <td>•</td> </tr> </tbody> </table>	For Use With	QDC 3.2	QDC 3SN	QDC 3XH	QDC 4	CAST IRON SOIL PIPE	•	•	•	•	P.V.C. SCHED. 40 D.W.V.	•		•	•	STEEL SCHED. 40	•		•	•		<p>Raccord rapide pour tuyau d'écoulement (QDC's)</p> <table border="1"> <thead> <tr> <th>For Use With</th> <th>QDC 3.2</th> <th>QDC 3SN</th> <th>QDC 3XH</th> <th>QDC 4</th> </tr> </thead> <tbody> <tr> <td>CAST IRON SOIL PIPE</td> <td>•</td> <td>•</td> <td>•</td> <td>•</td> </tr> <tr> <td>P.V.C. SCHED. 40 D.W.V.</td> <td>•</td> <td></td> <td>•</td> <td>•</td> </tr> <tr> <td>STEEL SCHED. 40</td> <td>•</td> <td></td> <td>•</td> <td>•</td> </tr> </tbody> </table>	For Use With	QDC 3.2	QDC 3SN	QDC 3XH	QDC 4	CAST IRON SOIL PIPE	•	•	•	•	P.V.C. SCHED. 40 D.W.V.	•		•	•	STEEL SCHED. 40	•		•	•
For Use With	QDC 3.2	QDC 3SN	QDC 3XH	QDC 4																																						
CAST IRON SOIL PIPE	•	•	•	•																																						
P.V.C. SCHED. 40 D.W.V.	•		•	•																																						
STEEL SCHED. 40	•		•	•																																						
For Use With	QDC 3.2	QDC 3SN	QDC 3XH	QDC 4																																						
CAST IRON SOIL PIPE	•	•	•	•																																						
P.V.C. SCHED. 40 D.W.V.	•		•	•																																						
STEEL SCHED. 40	•		•	•																																						



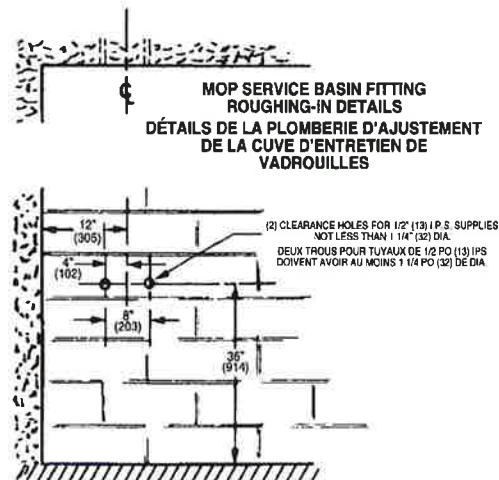
**SECTION THRU DRAIN CONNECTION
MSB-3624 (WITH SHELF)
VUE TRANSVERSALE DU RACCORD DE RENVOI
MSB-3624 (AVEC TABLETTE)**



**SUGGESTED INSTALLATION
INSTALLATION PROPOSÉE**



**SECTION THRU DRAIN CONNECTION
MSB-2424 (LESS SHELF)
VUE TRANSVERSALE DU RACCORD DE RENVOI
MSB-2424 (SANS TABLETTE)**



**SUGGESTED ROUGH-IN FOR SERVICE FAUCET - PLATES #630-AA
PLOMBERIE PROPOSÉE POUR LE ROBINET DE SERVICE - PLAQUES N° 630-AA**

OPTIONAL EQUIPMENT / ÉQUIPEMENT FACULTATIF

Stainless Steel Wall Guards

Made of heavy gauge stainless steel. Designed and is used to protect walls adjacent to the receptor. Two panels are supplied for a corner installation, a third panel is required for a recessed installation. The wall guard models are identified as follows: MSG 2424, MSG 3232, MSG 3624, and MSG 3636



Protecteurs muraux en acier inoxydable

Fabriqués en acier inoxydable durable et de haut calibre. Conçus pour protéger les murs adjacents au récepteur. Deux panneaux sont fournis pour une utilisation en coin, un troisième panneau est requis pour une utilisation en alcôve. Les modèles de protecteurs muraux sont identifiés comme suit: MSG 2424, MGS 3232, MSG 3624 et MSG 3636

→ **832 AA** - Hose and Bracket; 30" (762) long flexible heavy duty 5/8" (16) rubber hose, cloth reinforced with 3/4" (19) chrome coupling at one end. Bracket is 5" (127) long x 3" (76) wide stainless steel with rubber grip



832 AA - Boyau et support :

Boyau en caoutchouc flexible de 5/8" (16) résistant, 30" (762) de long, renforcé à une extrémité avec un assemblage de chrome de 3/4" (19). Support de 5" (127) de long X 3" (76) de large en acier inoxydable avec prise en caoutchouc.

**SPECIFICATIONS SUBJECT TO
CHANGE WITHOUT NOTICE.