

Quality People. Building Solutions.

Comfort Systems USA (Arkansas), Inc.
P.O. Box 16620
Little Rock, AR 72231
Phone 501-834-3320
Fax 501-834-5416

Date: 5/17/2024
Return Request: 5/27/2024
Project: CALS Main Library Renovations
Supplier: Sanders Supply
Manufacturer: Various
Submittal: Commercial Lavatories
Submittal Number: 22 42 16.13-01
Drawing # and Installation: Plumbing Drawings

ARCHITECT

Polk Stanley Wilcox
801 South Spring St.
Little Rock, AR 72201
501-378-0878

ENGINEER

Bernhard
1 Allied Drive, Bldg. 2, Suite 2600
Little Rock, AR 72202
501-666-6776

GENERAL CONTRACTOR

CDI
3000 Cantrell Rd.
Little Rock, AR 72202
501-5666-4300

MECHANICAL SUBCONTRACTOR

Comfort Systems USA (Arkansas), Inc.
9924 Landers Rd.
N. Little Rock, AR 72117
501-834-3320

Notes:

CSUSA PROJECT NO.

23-8016

dpierce@comfortar.com

9924 Landers Rd.
No. Little Rock, AR 72117

L-1

LUCERNE™ WALL-HUNG LAVATORY

- Wall-hung sink
- Vitreous china
- Front overflow
- D-shaped bowl
- Self-draining deck area with contoured back and side splash shields
- Faucet ledge

Faucet holes on 203mm (8") centers (Illus.):

- 0356.028** For exposed bracket support
Shown with 4801.862 Amarilis Heritage faucet with Triune Cross handles (not included)
- 0356.015** For wall hanger (included) or concealed arms support
- 0356.037** For wall hanger (included) or concealed arms support
 - Extra right-hand hole
- 0356.073** For wall hanger (included) or concealed arms support
 - Extra left-hand hole

Faucet holes on 102mm (4") centers:

- 0355.027** For exposed bracket support
- 0355.012** For wall hanger (included) or concealed arms support
- 0355.034** For wall hanger (included) or concealed arms support
 - Extra right-hand hole
- 0355.056** For wall hanger (included) or concealed arms support
 - Extra left-hand hole

Single center faucet hole (Illus.):

- 0356.041** For exposed bracket support
Shown with 1340.000 metering faucet (not included)
- 0356.421** For wall hanger (included) or concealed arms support
- 0356.137** For wall hanger (included) or concealed arms support
 - Extra right-hand hole
- 0356.115** For wall hanger (included) or concealed arms support
 - Extra left-hand hole

Nominal Dimensions:

521 x 464mm
(20-1/2" x 18-1/4")

Bowl sizes:

381mm (15") wide
254mm (10") front to back
165mm (6-1/2") deep

Compliance Certifications -

Meets or Exceeds the Following Specifications:

- ASME A112.19.2 for Vitreous China Fixtures



0356.028



0356.041

SEE REVERSE FOR ROUGHING-IN DIMENSIONS

To Be Specified:

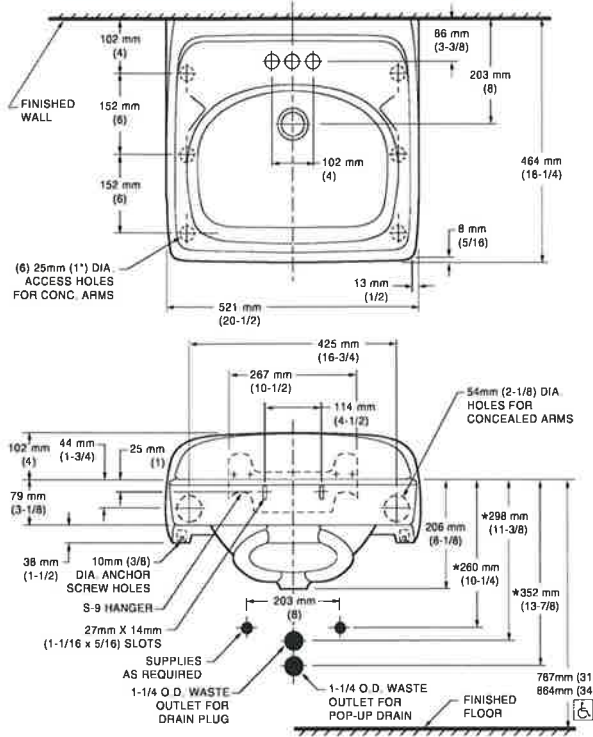
- Color: White Bone Silver
 Black Linen
- Faucet*:
- Faucet Finish:
- Supplies:
- 1-1/4" Trap:
- Nipple:
- Bracket Support (by others):
- Concealed Arms Support (by others):

* See faucet section for additional models available

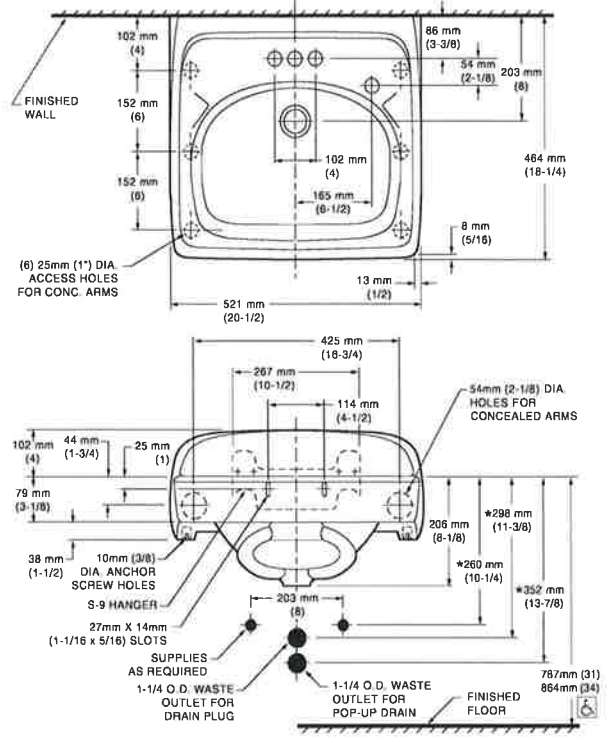


MEETS THE AMERICANS WITH DISABILITIES ACT GUIDELINES AND ANSI A117.1 ACCESSIBLE AND USABLE BUILDINGS AND FACILITIES - CHECK LOCAL CODES.
Top of front rim mounted 864mm (34") from finished floor.

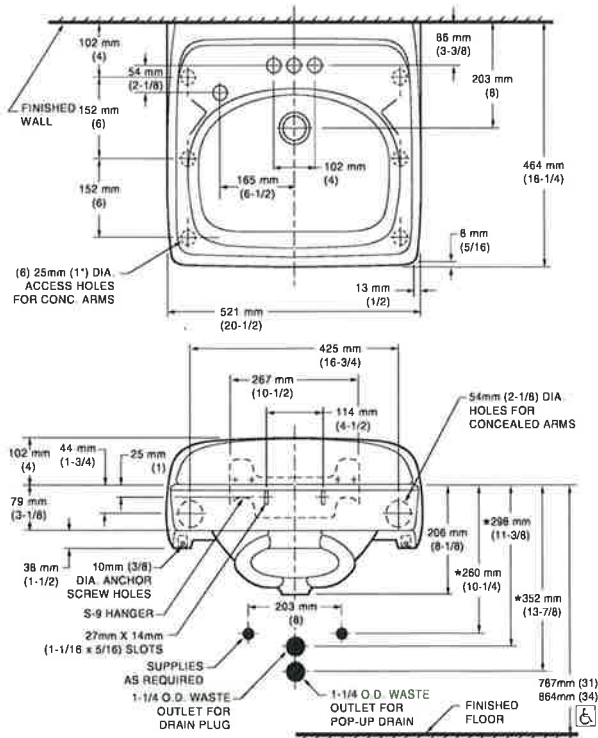
0355.012 4" CTRS FOR WALL HANGER OR CONCEALED ARMS



0355.034 4" CTRS FOR WALL HANGER OR CONCEALED ARMS EXTRA RIGHT HAND HOLE



0355.056 4" CTRS FOR WALL HANGER OR CONCEALED ARMS EXTRA LEFT HAND HOLE



NOTES:
* DIMENSIONS SHOWN FOR LOCATION OF SUPPLIES AND "P" TRAP ARE SUGGESTED. PROVIDE SUITABLE REINFORCEMENT FOR ALL WALL SUPPORTS. FITTINGS NOT INCLUDED AND MUST BE ORDERED SEPARATELY. CONCEALED ARM SUPPORT AS REQUIRED TO BE FURNISHED BY OTHERS.

IMPORTANT: Dimensions of fixtures are nominal and may vary within the range of tolerances established by ANSI Standard A112.19.2. These measurements are subject to change or cancellation. No responsibility is assumed for use of superseded or voided pages.

LAVATORY DESIGNED TO MEET ADA HANDICAPPED GUIDELINES WITH MOUNTING HEIGHT SET AT 864MM (34") ABOVE FINISHED FLOOR.



see what Delta can do™

BATHROOM FAUCET

- Modern Series
- Single Handle Deck Mount

STANDARD SPECIFICATIONS:

- Max. flow rate 1.2 gpm @ 60 psi, 4.5 L/min @ 414 kPa
- GPM models provide 1.0 gpm @ 60 psi, 3.8 L/min @ 414 kPa
- HGM models provide 0.5 gpm @ 60 psi, 1.9 L/min @ 414 kPa
- One or three hole mount (Escutcheon optional, not included)
- Ceramic disc cartridge
- Optional red/blue indicator ring provided with model
- Solid brass body
- Model has metal drain with push pop-up type fitting with plated flange and stopper, no lift rod hole
- 1/4" O.D. straight, staggered PEX supply lines

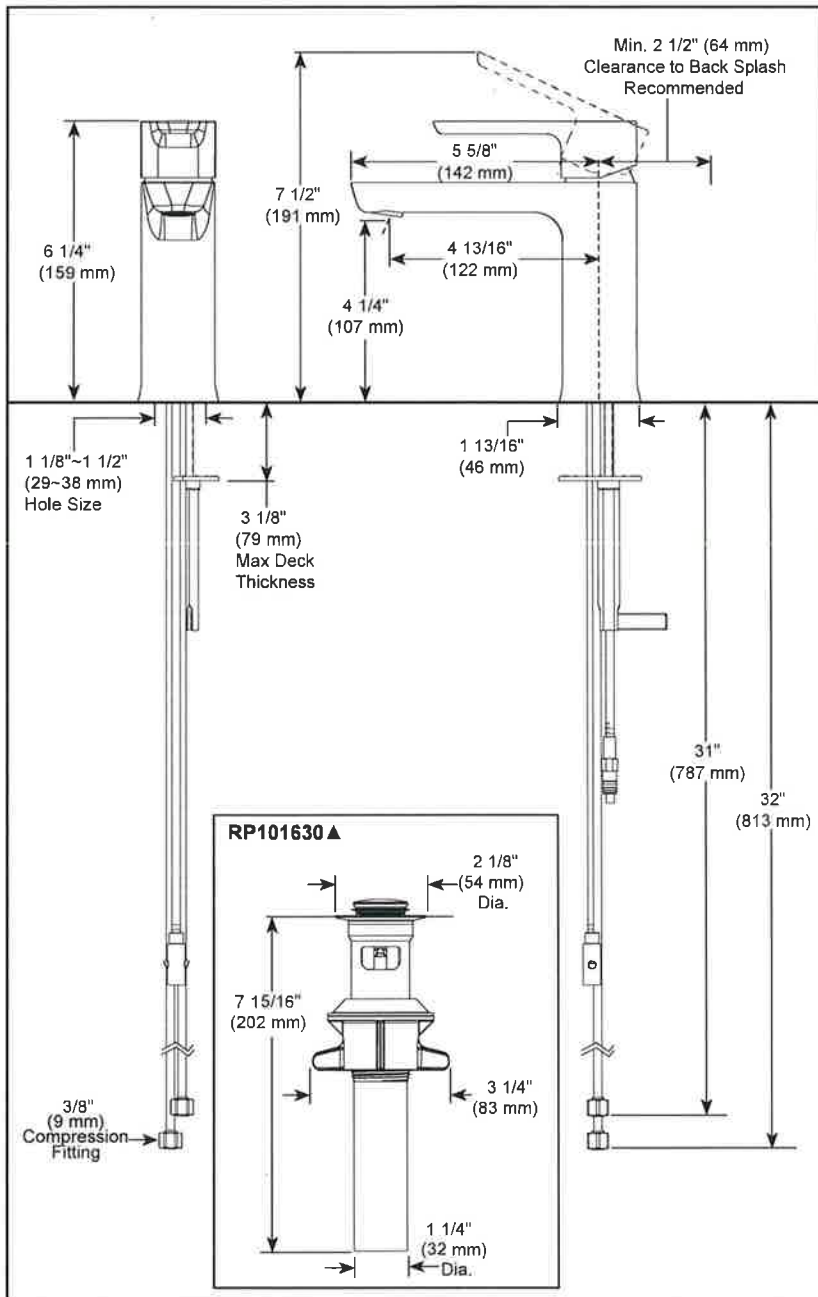
WARRANTY

- Parts and Finish - Lifetime limited warranty; or for commercial purchasers, 10 years for multi-family residential (apartments and condominiums) and 5 years for all other commercial uses, in each case from the date the product is received by the original purchaser or their authorized representative (installation contractor, etc.).
- Electronic Parts and Batteries (if applicable) - 5 years from the date the product is received by the original purchaser or their authorized representative (installation contractor, etc.); or for commercial purchasers, 1 year from the date the product is received by the original purchaser or their authorized representative (installation contractor, etc.). No warranty is provided on batteries.



COMPLIES WITH:

- ASME A112.18.1 / CSA B125.1
- ASME A112.18.2 / CSA B125.2
- ♿ Indicates compliance to ICC/ANSI A117.1
- EPA WaterSense® - Applies to 581LF-PP, 581LF-GPM-PP, 581LF-MPU-PP



▲ Designate proper finish suffix

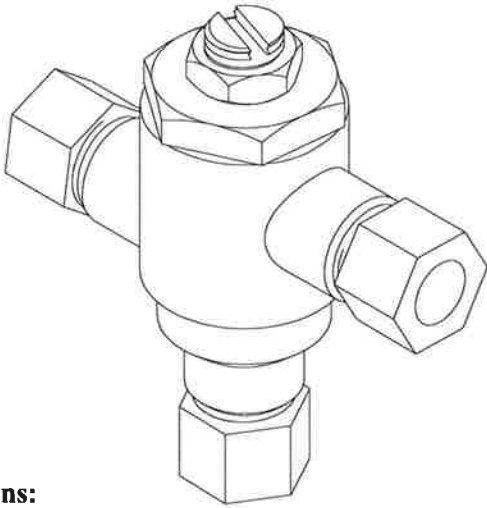
Delta reserves the right (1) to make changes in specifications and materials, and (2) to change or discontinue models, both without notice or obligation. Dimensions are for reference only. See current full-line price book or www.deltafaucet.com for finish options and product availability.

DSP-L-581LF-PP Rev. F

Delta Faucet Company

55 E. 111th Street, Carmel, IN 46280
350 South Edgeware Road, St. Thomas, ON N5P 4L1
© 2023 Delta Faucet Company

170A-LF



Application:

The Model 170A-LF is a high performance thermostatic temperature limiting device used to supply single outlets. Can be used to supply one sensor faucet or one two handle manual faucet.

Features:

- Certified to ASSE 1070 to control down to 0.25 GPM
- Eco-Mix Certified Lead-Free* construction
- Integral inlet checks and stainless steel screens
- Vandal resistant locknut to prevent accidental adjustment
- Easy 3/8" tubing or flex hose installation

Specifications:

- Minimum flow: 0.25 GPM (0.95 l/Min) Certified to ASSE
- Maximum flow: 4 GPM
- Maximum pressure: 125 PSI (8.6 BAR)
- Maximum hot water temperature: 180°F (82°C)
- Hot water inlet temperature range: 120-180°F (49-82°C)
- Cold water inlet temperature range: 33-80°F (1-27°C)
- Temperature adjustment range: 95-120°F (35-49°C)

Certifications:

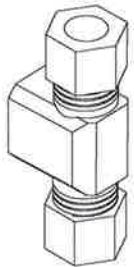
ASSE 1070-2015 

CSA B125.70-15 

Certified to NSF61 thru the ASSE 1070 testing process

Options:

- STSTL REC- Stainless steel cabinet, #4 finish, recessed
- STSTL EXP- Stainless steel cabinet, #4 finish, exposed
- BWE REC- Steel cabinet, baked white, recessed
- BWE EXP- Steel cabinet, baked white, exposed
- BP- Cold water By-Pass (shipped loose)
- BRKT- mounting bracket (shipped loose)
- CP- Chrome plated finish



BP option



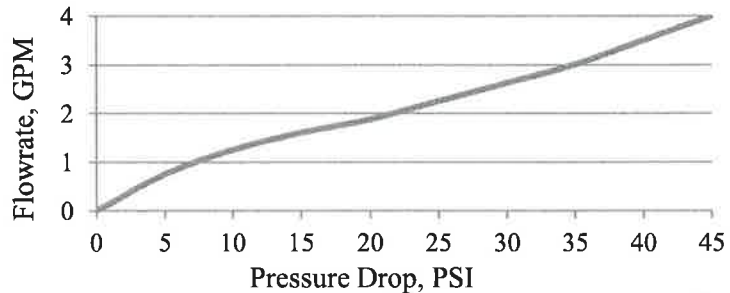
BRKT option



WARNING: This product can expose you to chemicals including lead, which is known to the State of California to cause cancer. For more information, go to www.P65Warnings.ca.gov

* This product is certified to meet Low Lead requirements of wetted surface area containing less than 0.25% lead by weight

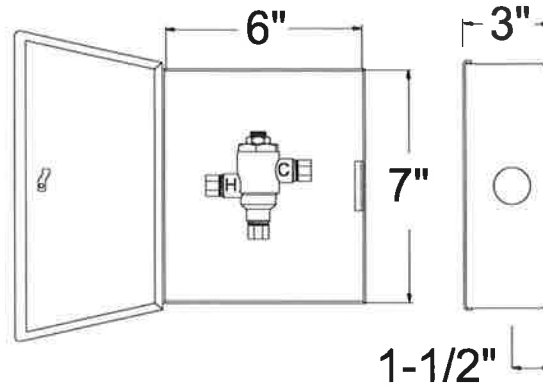
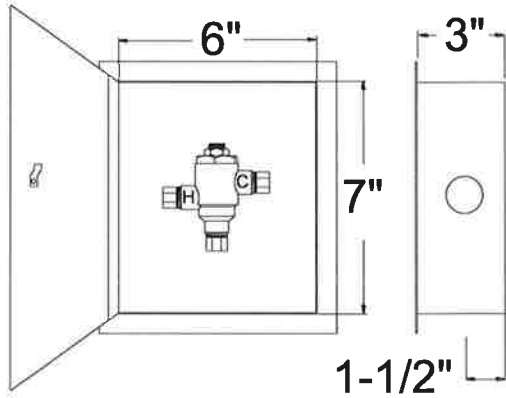
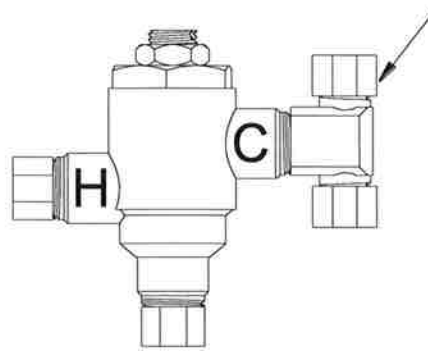
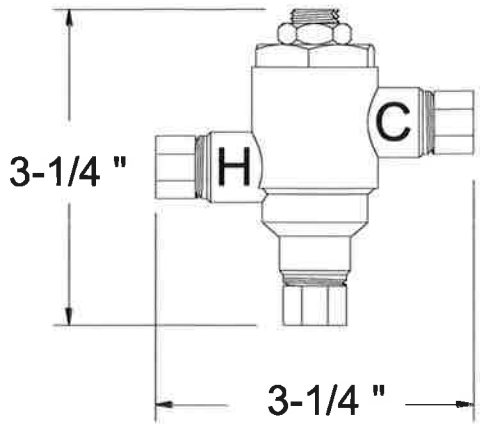
PRESSURE DROP						
5	10	15	20	30	45	PSI
.35	.70	1.05	1.4	2.1	3.1	BAR
0.75	1.25	1.6	1.88	2.63	4	GPM
2.84	4.73	6.06	7.1	10	15	L/MIN



1360 Elmwood Avenue, Cranston, RI 02910 USA
 Phone: 401.461.1200 Fax: 401.941.5310
 Email: info@leonardvalve.com
 Web Site: <http://www.leonardvalve.com>

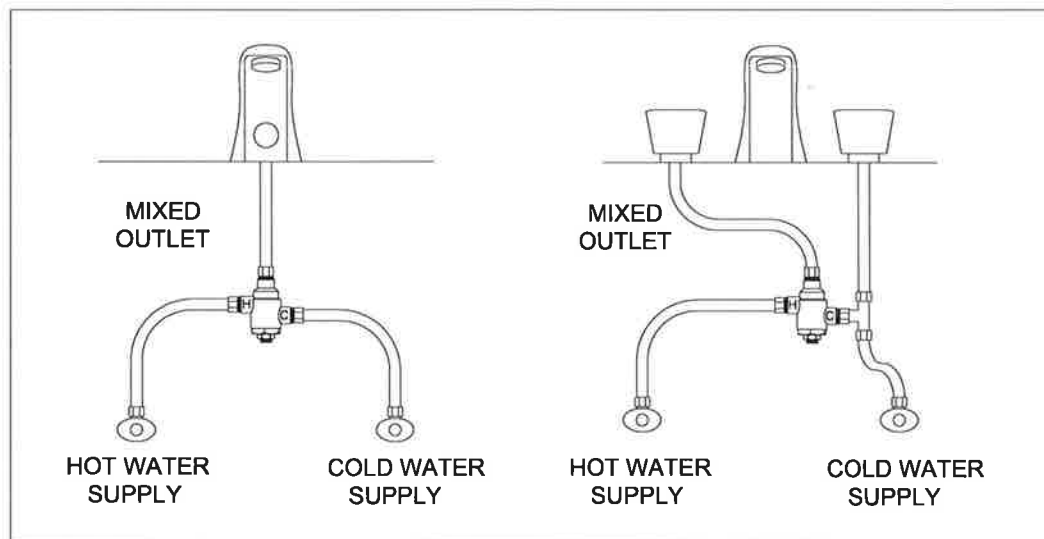
Engineer's Approval	Job # _____
	Arch/Eng. _____
	Contractor _____

BP-OPTION



170A-LF-REC

170A-LF-EXP



170A-LF

170A-LF-BP



Note: Leonard Valve Company reserves the right of product, or design modifications without notice or obligation.

© 2020 Leonard Valve Company
Printed in USA

1360 Elmwood Avenue, Cranston, RI 02910 USA

Phone: 401.461.1200 Fax: 401.941.5310

Email: info@leonardvalve.com

Web Site: <http://www.leonardvalve.com>



McGuire Manufacturing Co., Inc.

60 Grandview Court
P.O. Box 746 ♣Cheshire, CT 06410
203-699-1801 ♣ Fax: 203-699-1813
www.mcguiremfg.com

PRODUCT SPECIFICATION

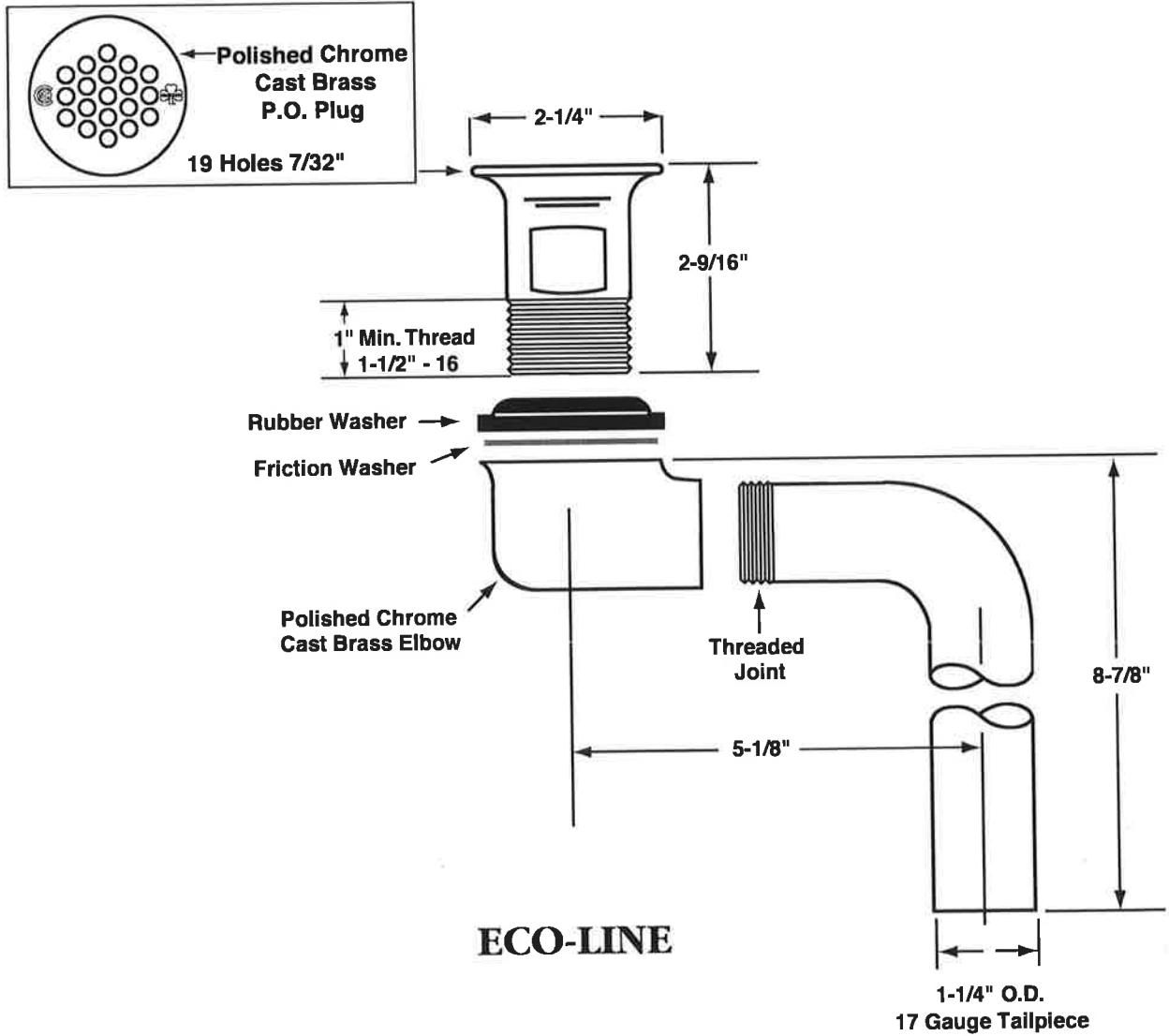
Part No.

155WCECO

**Offset Lavatory
Grid Strainer**

Job Name:

Submittal Number:



A.D.A.



Specifications:

Cast Brass Chrome Plated Offset Wheelchair Strainer with polished chrome cast brass elbow, 17 gauge 1-1/4 inch seamless brass offset tailpiece, heavy rubber basin washer and fiber friction washer. Offset lavatory strainer shall be in compliance with CSA or other recognized testing authority and bear both manufacturer and testing mark.



McGuire Manufacturing Co., Inc.

60 Grandview Court
 Cheshire, Connecticut 06410
 (203) 699-1801 Fax (203) 699-1813
 customerservice@mcguiremfg.com mcguiremfg.com

PRODUCT SPECIFICATION

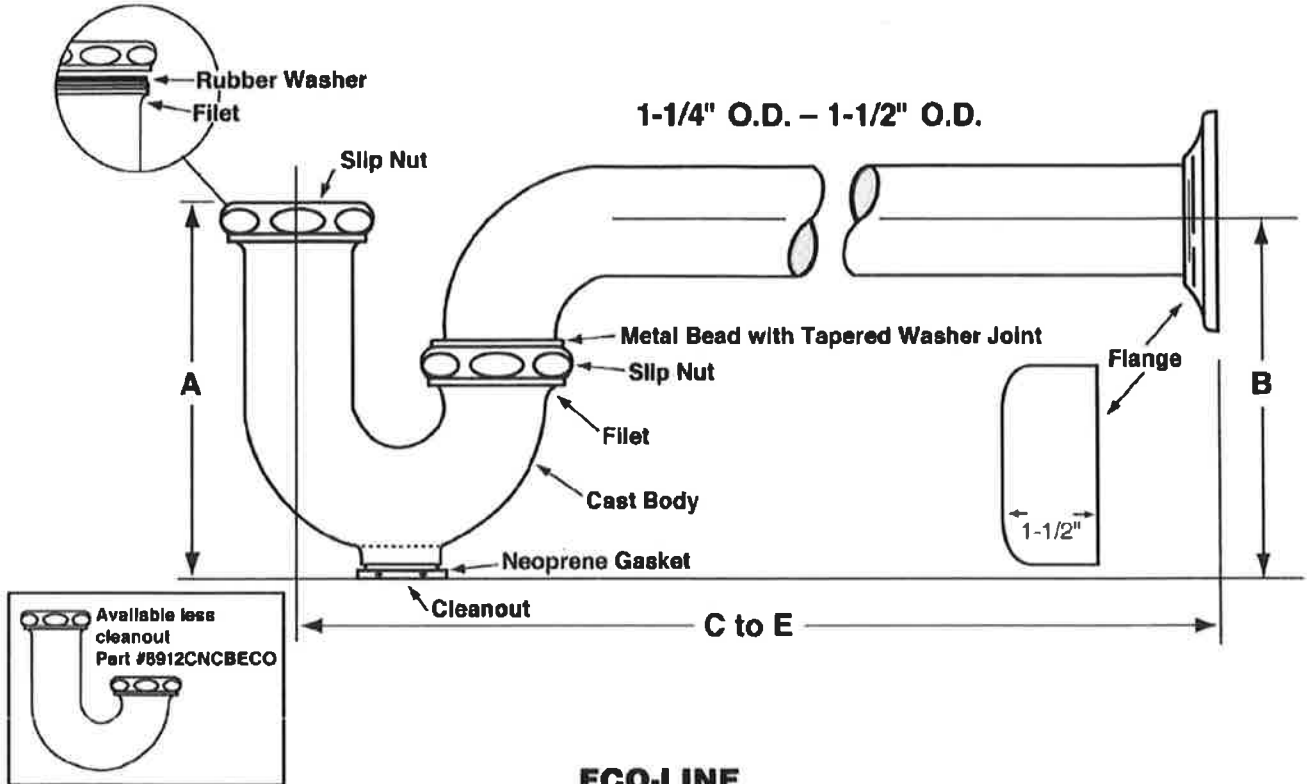
Part No.

C8872CECO

**Cast Body P-Trap With
 or Without Cleanout**

Job Name:

Submittal Number:



ECO-LINE

ROUGHING MEASUREMENTS

MODEL NO.	TRAP DIMENSIONS		A	B	C to E	FLANGE	SLIP NUT
	INLET	OUTLET					
C8872CECO	1-1/4"	1-1/4"	4-1/2"	4-1/2"	10"	Shallow	Zinc

**FED SPEC W.W.P. 541
 CAST BRASS P-TRAP
 MINIMUM SEAL 2"**



ASME A112.18.2/CSA B125.2

Specifications:

Chrome plated P-Trap shall be cast brass body, with or without cleanout, with 17 gauge seamless tubular wall bend and flange.

WARNING:

This product can expose you to chemicals including lead, which is known to the State of California to cause cancer, and birth defects or other reproductive harm. For more information go to www.P85Warnings.ca.gov.



McGuire Manufacturing Co., Inc.

60 Grandview Court
 P.O. Box 746 • Cheshire, CT 06410
 203-699-1801 • Fax: 203-699-1813
 www.mcguiremfg.com

PRODUCT SPECIFICATION

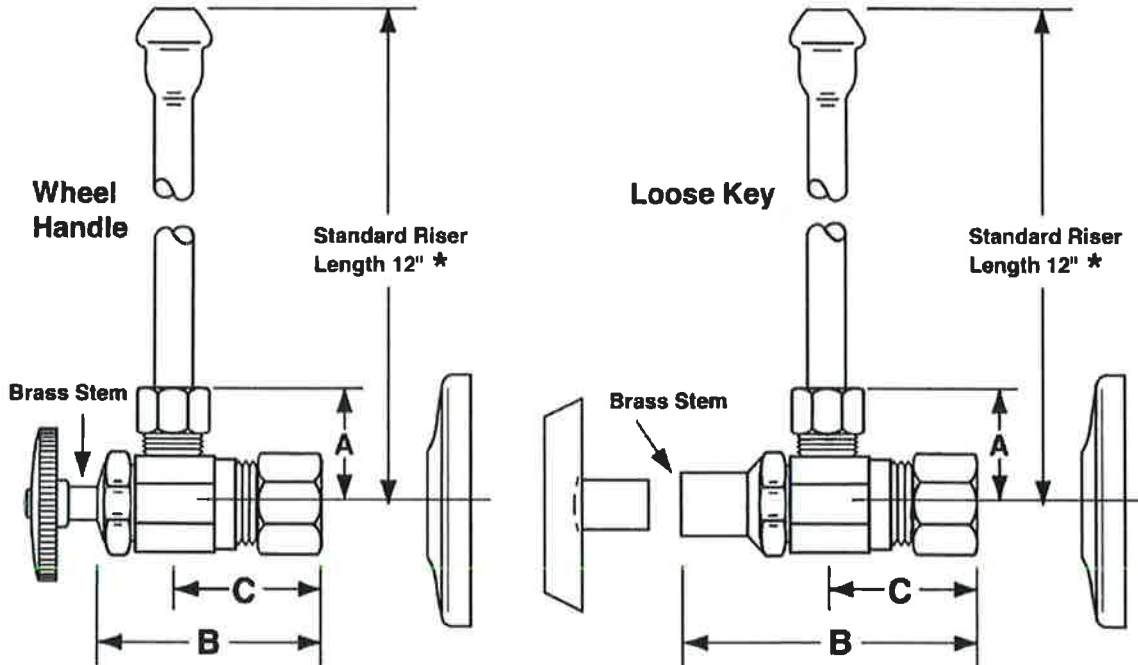
Part No.

LF2165CC, **LF2165CCLK**,
 LF2167CC, LF2167CCLK

**Compression x Compression
 Lavatory Supply**

Job Name: _____

Submittal Number: _____



NO.	DESCRIPTION	ROUGHING MEASUREMENTS		
		A	B	C
LF2165CC	1/2" Nominal x 3/8" O.D.	1"	1-3/4"	1"
LF2165CCLK	1/2" Nominal x 3/8" O.D.	1"	2-3/8"	1"
LF2167CC	1/2" Nominal x 1/2" O.D.	1"	1-3/4"	1-1/4"
LF2167CCLK	1/2" Nominal x 1/2" O.D.	1"	2-3/8"	1-1/4"



LK designates Loose Key

* See options and accessories section for details on product variations.



Specifications:

Supply kit shall include low lead chrome plated supply brass stop valves with full turn brass stem, no plastic, (12, 15, 20) inch chrome plated risers and (shallow, deep, bell) (steel, brass) or (forged brass with set screw) flange. Inlet shall be (3/8, 1/2) inch IPS. Outlet shall be (3/8, 1/2) inch (IPS, compression). Supply kit shall be McGuire _____. Supply kit shall be low lead certified by recognized authority and bear manufacturer and testing mark.



COMBINATION KIT: ONE TRAP, TWO SUPPLY STOP PROTECTORS, AND ONE OFFSET DRAIN PROTECTOR

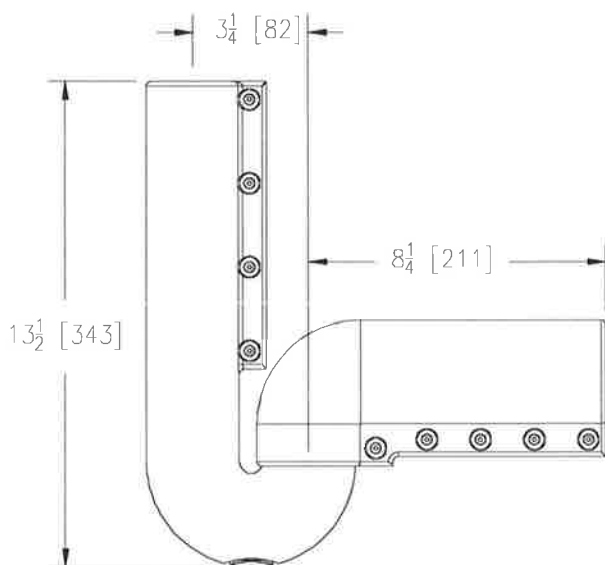
Z8946-3-NT

TAG _____

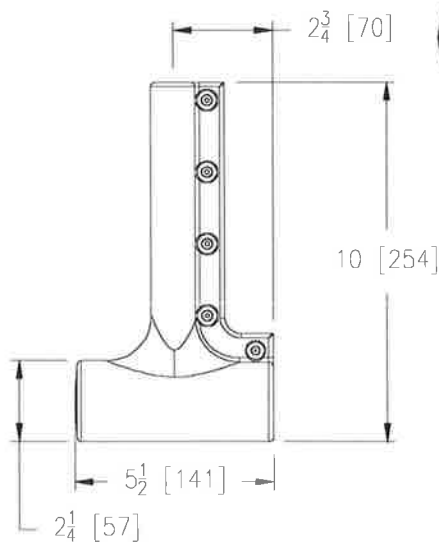


ENGINEERING SPECIFICATION: ZURN Z8946-3-NT Combination Kit: One trap protector, two supply stop protectors and one offset drain protector, satin white PVC resin. Antimicrobial, resists thermal transfer, and is ADA compliant. Trap protector fits both tubular and semi-cast P traps.

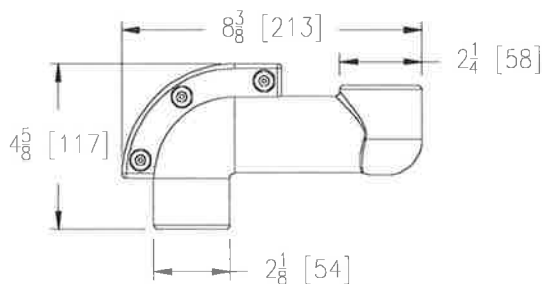
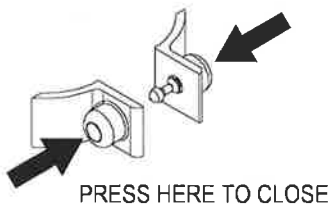
Patent Pending



TRAP PROTECTOR



SUPPLY STOP PROTECTOR



OFFSET DRAIN PROTECTOR

ZURN INDUSTRIES, LLC. ♦ COMMERCIAL BRASS OPERATION ♦ 5900 ELWIN BUCHANAN DRIVE ♦ SANFORD NC 27330
 Phone: 1-800-997-3876 ♦ Fax: 919-775-3541 ♦ World Wide Web: www.zurn.com
 In Canada: ZURN INDUSTRIES LIMITED ♦ 3544 Nashua Drive ♦ Mississauga, Ontario L4V1L2 ♦ Phone: 905-405-8272 Fax: 905-405-1292

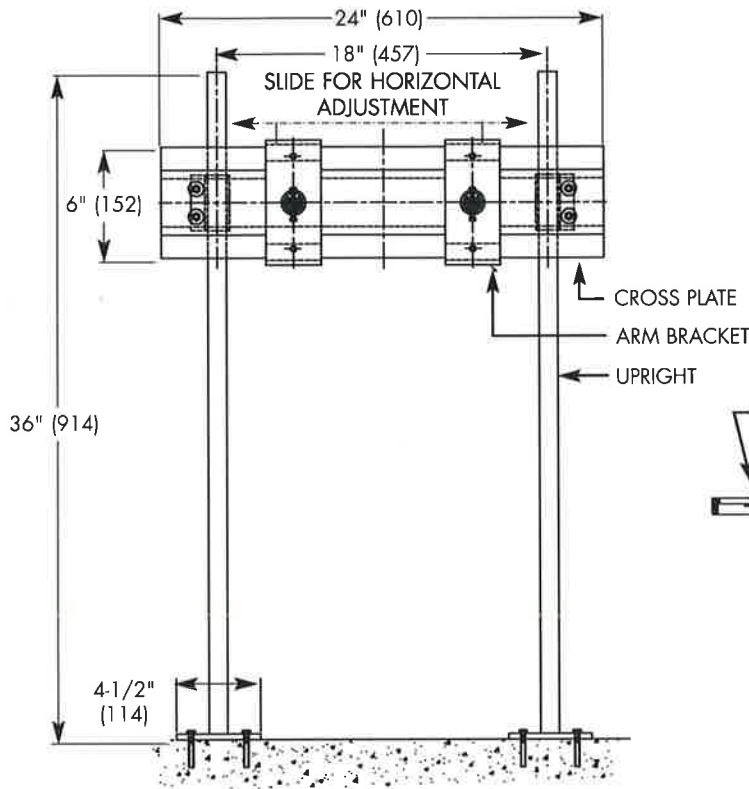


TCA-411

Tag: L-1

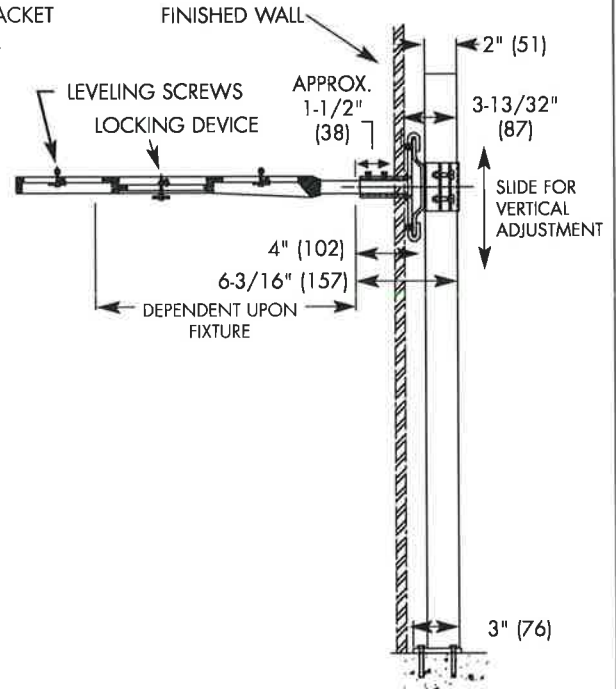
Floor Mounted Concealed Arm "Track" Lavatory Carrier

SPECIFICATION: Watts Drainage TCA-411 epoxy coated floor mounted concealed arm track lavatory carrier with heavy gauge steel offset uprights with welded feet, steel cross plate with integral mounting brackets, sliding adjustable arm brackets, and adjustable cast iron concealed arms with mounting clips, leveling screws, and basin locking device.



Options (Select One or More)	
Suffix	Description
-M42	42" Long Carrier Leg <input type="checkbox"/>
-M54	2" Chrome Plated Escutcheons, Single <input type="checkbox"/>
-M55	4" Chrome Plated Escutcheons, Single <input type="checkbox"/>
-M60	Knee Operated Valve Support Plate Single <input type="checkbox"/>

NOTE: ANCHOR LEGS TO CONCRETE FLOOR WITH MINIMUM 1/2" (13) ANCHOR BOLTS (BY OTHERS)



*Patent Pending

Job Name CALS Library Contractor Comfort Systems USA
 Job Location LR Contractor's P.O. No. _____
 Engineer BTME Representative Sanders Supply

WATTS Drainage reserves the right to modify or change product design or construction without prior notice and without incurring any obligation to make similar changes and modifications to products previously or subsequently sold. See your WATTS Drainage representative for any clarification. Dimensions are subject to manufacturing tolerances.



Specification Drainage Products

USA: 100 Watts Road, Spindale, NC, 28160-2298; TEL: 828-288-2179 TOLL-FREE: 1-800-338-2581 www.watts.com

L-2

OVALYN™ UNDERCOUNTER SINK

- Classic oval undermount sink
- Made from vitreous china
- Front overflow
- Supplied with mounting kit (047194-0070A) and template

0495.221 Unglazed rim

435 x 359mm
(17-1/8" x 14-1/8")

0495.300 Glazed underside

Bowl size:

382mm (15-1/16") wide
306mm (12-1/16") front to back
140mm (5-1/2") deep

0496.221 Unglazed rim

489 x 413mm
(19-1/4" x 16-1/4")

0496.300 Glazed underside

Bowl size:

432mm (17") wide
356mm (14") front to back
140mm (5-1/2") deep



0497.221 Unglazed rim

546 x 441mm
(21-1/2" x 17-3/8")

0497.300 Glazed underside

Bowl size:

483mm (19") wide
391mm (15-3/8") front to back
140mm (5-1/2") deep

Compliance Certifications -

Meets or Exceeds the Following Specifications:

- ASME A112.19.2M for Vitreous China Fixtures
- CAN/CSA B45 series

To Be Specified:

- Color: White Bone Linen
 Silver Fawn Beige Black
- Faucet*:
 Faucet Finish:
 Supplies:
 1-1/4" Trap:

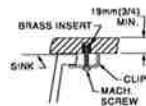
* See faucet section for additional models available



SEE REVERSE FOR ROUGHING-IN DIMENSIONS

0496/0497

▼ DETAIL OF MOUNTING CLIP
(KIT No. 047194-0070A)



REFER TO INSTRUCTIONS PROVIDED WITH KIT FOR ADDITIONAL INFORMATION

NOTES:

* DIMENSIONS SHOWN FOR LOCATION OF SUPPLIED AND "P" TRAP ARE SUGGESTED.

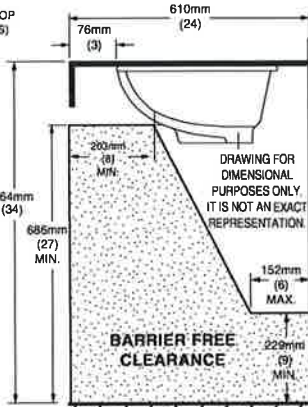
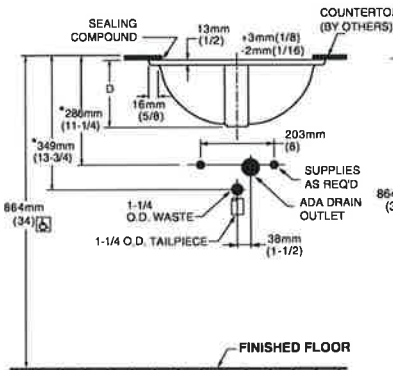
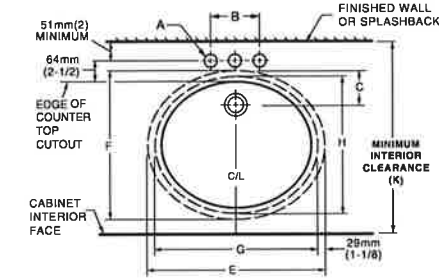
▼ UNDERCOUNTER MOUNTING KIT SUPPLIED WITH SINK. PLEASE NOTE MINIMUM INTERIOR CLEARANCE DIMENSION (K). FITTINGS NOT INCLUDED AND MUST BE ORDERED SEPARATELY. USE ENCLOSED TEMPLATE FOR COUNTERTOP CUTOUT SEALING COMPOUND SUPPLIED BY OTHERS.

IMPORTANT: Dimensions of fixtures are nominal and may vary within the range of tolerances established by ANSI Standard A112.19.2. These measurements are subject to change or cancellation. No responsibility is assumed for use of superseded or voided pages.



MEETS THE AMERICANS WITH DISABILITIES ACT GUIDELINES AND ANSI A117.1 ACCESSIBLE AND USEABLE BUILDINGS AND FACILITIES - CHECK LOCAL CODES.

Countertop 864mm (34") from finished floor. Lavatory installed 76mm (3") from front edge of countertop. Countertop thickness to be 25mm (1") maximum.

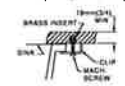


FITTING	A	B
CENTERSET	1-1/4 (32mm)	4 (102mm)
SPREAD	1-3/8 (35mm)	8 (203mm)

CAT. NO.	E	F	G	H	C	D	J	K
0496 221	489mm (19-1/4)	413mm (16-1/4)	432mm (17)	356mm (14)	103mm (4-1/16)	182mm (7-3/16)	16mm (5/8)	500mm (19-11/16)
0497 221	546mm (21-1/2)	441mm (17-3/8)	483mm (19)	391mm (15-3/8)	95mm (3-3/4)	191mm (7-1/2)	19mm (3/4)	534mm (21-1/16)

0495

▼ DETAIL OF MOUNTING CLIP
(KIT No. 047194-0070A)



REFER TO INSTRUCTIONS PROVIDED WITH KIT FOR ADDITIONAL INFORMATION

FITTING	A	B
CENTERSET	1-1/4 (32mm)	4 (102mm)
SPREAD	1-3/8 (35mm)	8 (203mm)

NOTES:

USE ENCLOSED TEMPLATE FOR COUNTERTOP CUTOUT. FITTINGS NOT INCLUDED WITH FIXTURE AND MUST BE ORDERED SEPARATELY. * DIMENSIONS SHOWN FOR LOCATION OF SUPPLIED AND "P" TRAP ARE SUGGESTED.

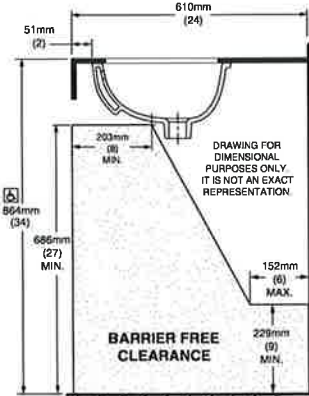
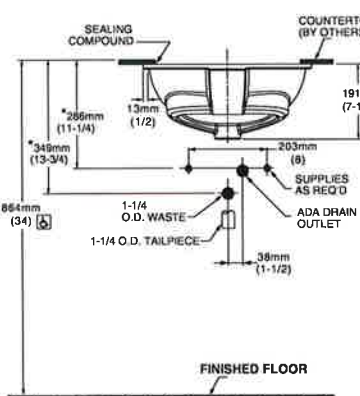
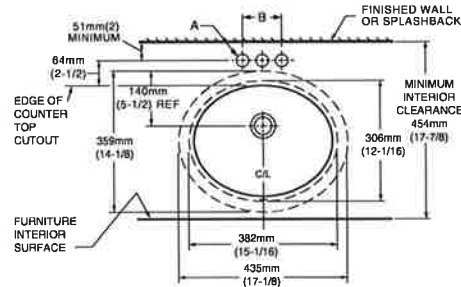
▼ UNDERCOUNTER MOUNTING KIT SUPPLIED WITH SINK. PLEASE NOTE MINIMUM INTERIOR CLEARANCE DIMENSION (K). SEALING COMPOUND SUPPLIED BY OTHERS.

IMPORTANT: Dimensions of fixtures are nominal and may vary within the range of tolerances established by ANSI Standard A112.19.2. These measurements are subject to change or cancellation. No responsibility is assumed for use of superseded or voided pages



MEETS THE AMERICANS WITH DISABILITIES ACT GUIDELINES AND ANSI A117.1 ACCESSIBLE AND USEABLE BUILDINGS AND FACILITIES - CHECK LOCAL CODES.

Countertop 864mm (34") from finished floor. Lavatory installed 51mm (2") from front edge of countertop. Countertop thickness to be 25mm (1") maximum.





see what Delta can do™

BATHROOM FAUCET

- Modern Series
- Single Handle Deck Mount

STANDARD SPECIFICATIONS:

- Max. flow rate 1.2 gpm @ 60 psi, 4.5 L/min @ 414 kPa
- GPM models provide 1.0 gpm @ 60 psi, 3.8 L/min @ 414 kPa
- HGM models provide 0.5 gpm @ 60 psi, 1.9 L/min @ 414 kPa
- One or three hole mount (Escutcheon optional, not included)
- Ceramic disc cartridge
- Optional red/blue indicator ring provided with model
- Solid brass body
- Model has metal drain with push pop-up type fitting with plated flange and stopper, no lift rod hole
- 1/4" O.D. straight, staggered PEX supply lines

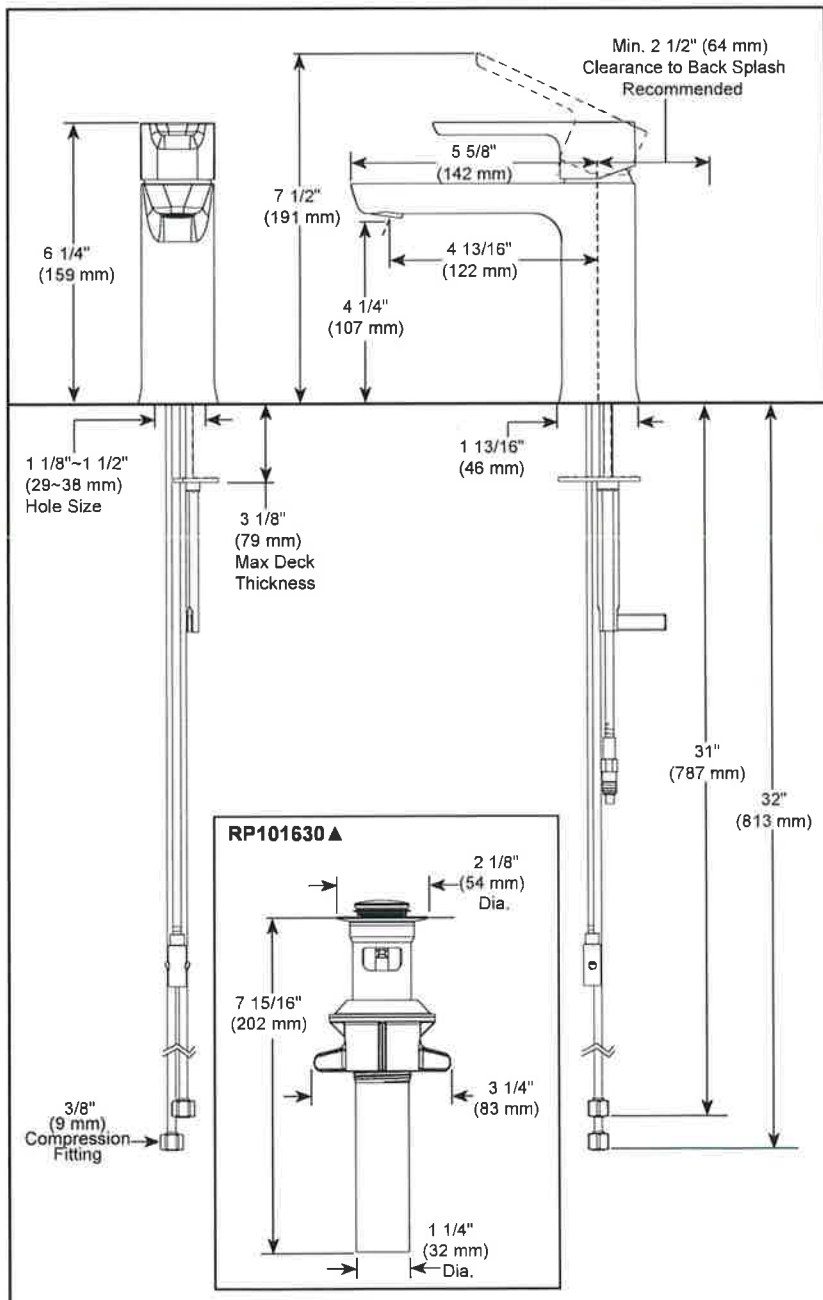
WARRANTY

- Parts and Finish - Lifetime limited warranty; or for commercial purchasers, 10 years for multi-family residential (apartments and condominiums) and 5 years for all other commercial uses, in each case from the date the product is received by the original purchaser or their authorized representative (installation contractor, etc.).
- Electronic Parts and Batteries (if applicable) - 5 years from the date the product is received by the original purchaser or their authorized representative (installation contractor, etc.); or for commercial purchasers, 1 year from the date the product is received by the original purchaser or their authorized representative (installation contractor, etc.). No warranty is provided on batteries.



COMPLIES WITH:

- ASME A112.18.1 / CSA B125.1
- ASME A112.18.2 / CSA B125.2
- ♿ Indicates compliance to ICC/ANSI A117.1
- EPA WaterSense® - Applies to 581LF-PP, 581LF-GPM-PP, 581LF-MPU-PP



▲ Designate proper finish suffix

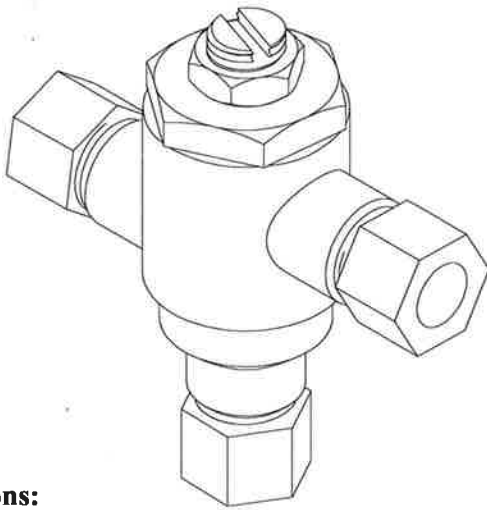
Delta reserves the right (1) to make changes in specifications and materials, and (2) to change or discontinue models, both without notice or obligation. Dimensions are for reference only. See current full-line price book or www.deltafaucet.com for finish options and product availability.

DSP-L-581LF-PP Rev. F

Delta Faucet Company

55 E. 111th Street, Carmel, IN 46280
 350 South Edgeware Road, St. Thomas, ON N5P 4L1
 © 2023 Delta Faucet Company

170A-LF



Application:

The Model 170A-LF is a high performance thermostatic temperature limiting device used to supply single outlets. Can be used to supply one sensor faucet or one two handle manual faucet.

Features:

- Certified to ASSE 1070 to control down to 0.25 GPM
- Eco-Mix Certified Lead-Free* construction
- Integral inlet checks and stainless steel screens
- Vandal resistant locknut to prevent accidental adjustment
- Easy 3/8" tubing or flex hose installation

Specifications:

- Minimum flow: 0.25 GPM (0.95 l/Min) Certified to ASSE
- Maximum flow: 4 GPM
- Maximum pressure: 125 PSI (8.6 BAR)
- Maximum hot water temperature: 180°F (82°C)
- Hot water inlet temperature range: 120-180°F (49-82°C)
- Cold water inlet temperature range: 33-80°F (1-27°C)
- Temperature adjustment range: 95-120°F (35-49°C)

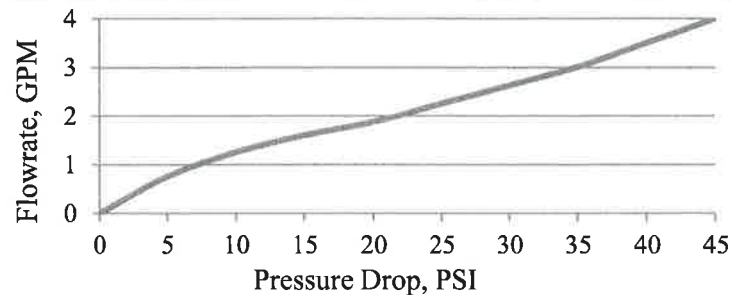
Certifications:

ASSE 1070-2015 

CSA B125.70-15 

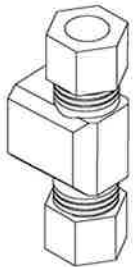
Certified to NSF61 thru the ASSE 1070 testing process

PRESSURE DROP							
5	10	15	20	30	45		PSI
.35	.70	1.05	1.4	2.1	3.1		BAR
0.75	1.25	1.6	1.88	2.63	4		GPM
2.84	4.73	6.06	7.1	10	15		L/MIN

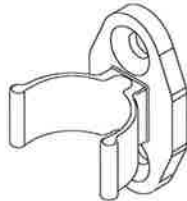


Options:

- STSTL REC- Stainless steel cabinet, #4 finish, recessed
- STSTL EXP- Stainless steel cabinet, #4 finish, exposed
- BWE REC- Steel cabinet, baked white, recessed
- BWE EXP- Steel cabinet, baked white, exposed
- BP- Cold water By-Pass (shipped loose)
- BRKT- mounting bracket (shipped loose)
- CP- Chrome plated finish



BP option



BRKT option



WARNING: This product can expose you to chemicals including lead, which is known to the State of California to cause cancer. For more information, go to www.P65Warnings.ca.gov.

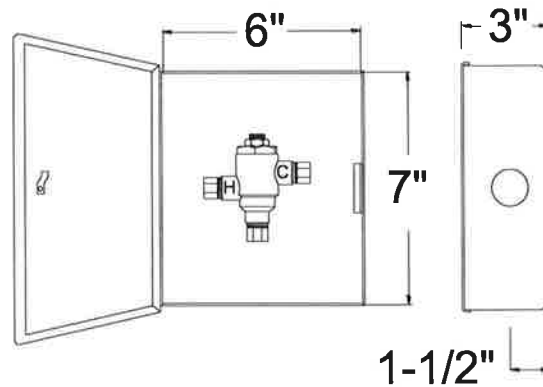
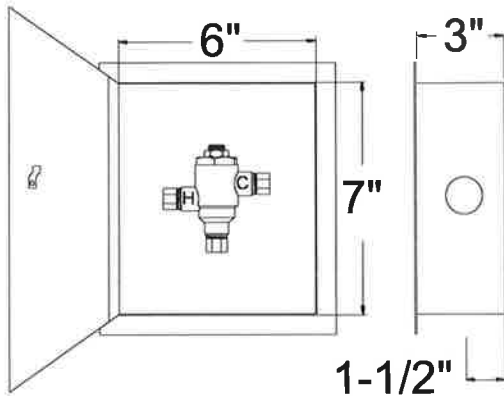
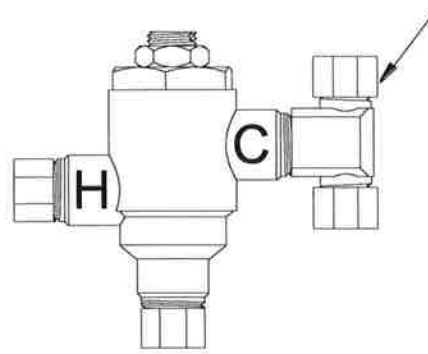
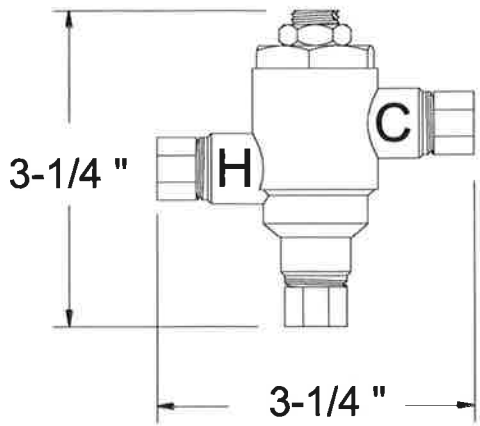
* This product is certified to meet Low Lead requirements of wetted surface area containing less than 0.25% lead by weight

Engineer's Approval	Job # _____
	Arch/Eng. _____
	Contractor _____



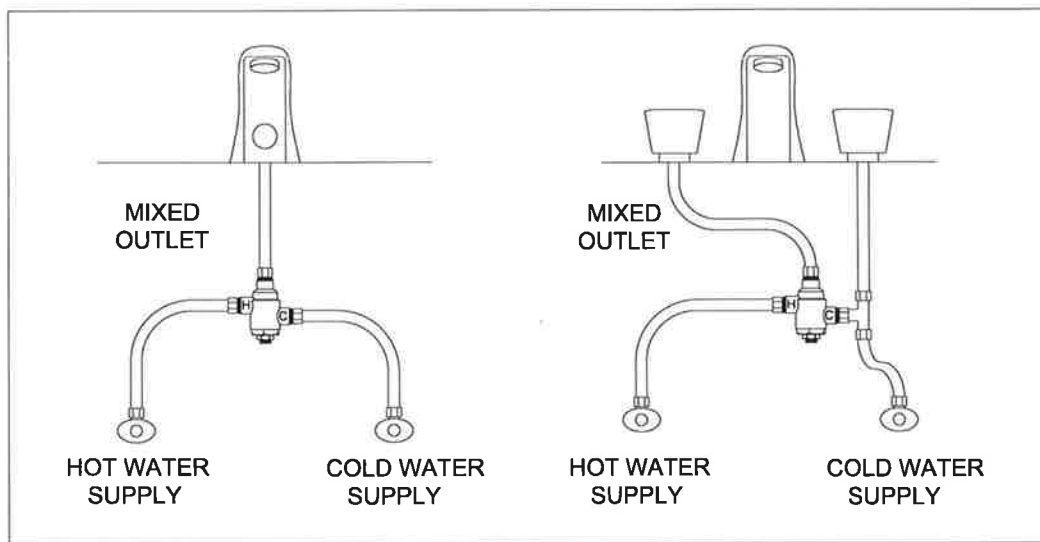
1360 Elmwood Avenue, Cranston, RI 02910 USA
 Phone: 401.461.1200 Fax: 401.941.5310
 Email: info@leonardvalve.com
 Web Site: <http://www.leonardvalve.com>

BP-OPTION



170A-LF-REC

170A-LF-EXP



170A-LF

170A-LF-BP



Note: Leonard Valve Company reserves the right of product, or design modifications without notice or obligation.

© 2020 Leonard Valve Company
Printed in USA

1360 Elmwood Avenue, Cranston, RI 02910 USA

Phone: 401.461.1200 Fax: 401.941.5310

Email: info@leonardvalve.com

Web Site: <http://www.leonardvalve.com>

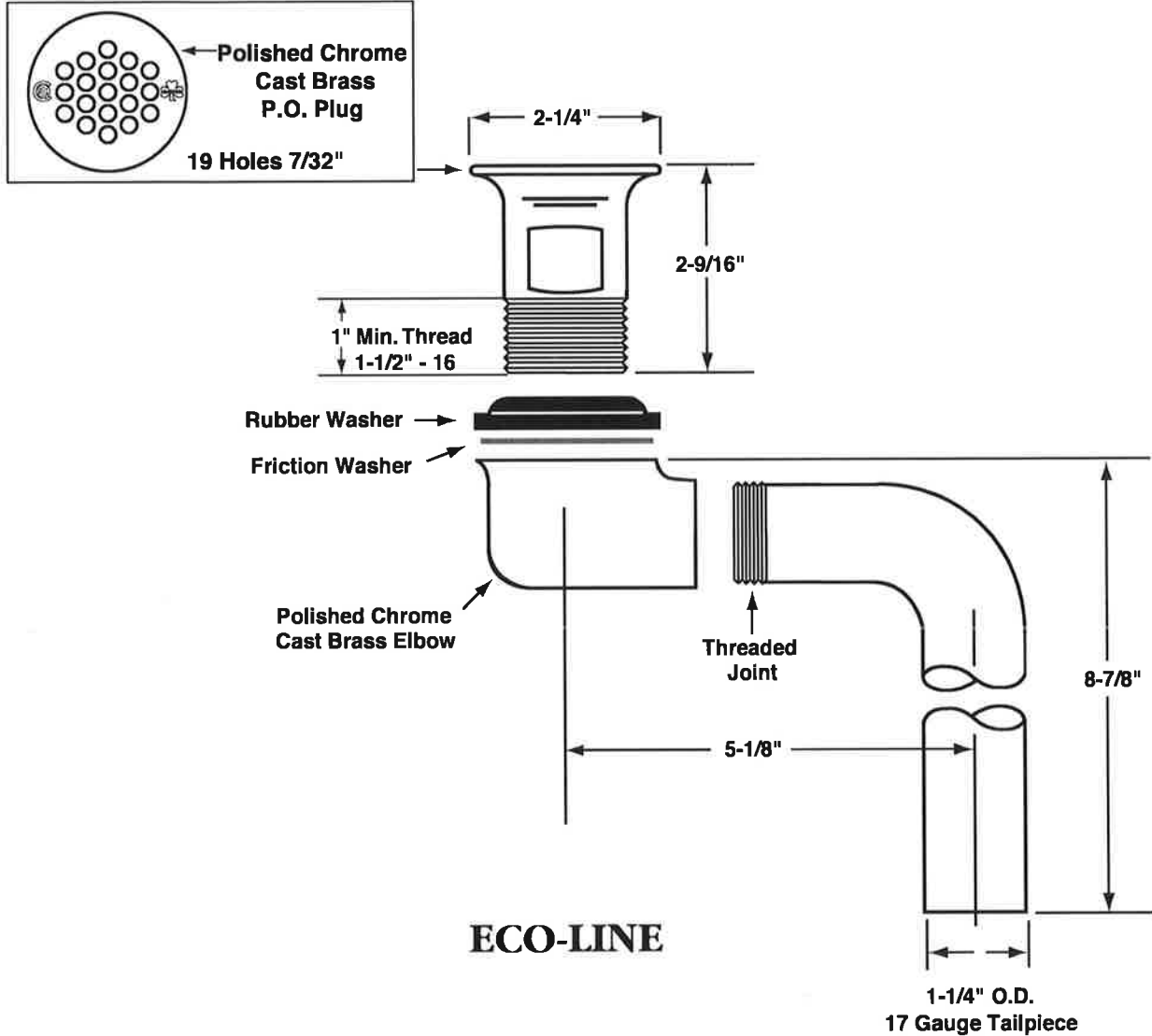


McGuire Manufacturing Co., Inc.
60 Grandview Court
P.O. Box 746 ♣ Cheshire, CT 06410
203-699-1801 ♣ Fax: 203-699-1813
www.mcguiremfg.com
PRODUCT SPECIFICATION

Part No.
155WCECO
Offset Lavatory
Grid Strainer

Job Name:

Submittal Number:



A.D.A.



Specifications:

Cast Brass Chrome Plated Offset Wheelchair Strainer with polished chrome cast brass elbow, 17 gauge 1-1/4 inch seamless brass offset tailpiece, heavy rubber basin washer and fiber friction washer. Offset lavatory strainer shall be in compliance with CSA or other recognized testing authority and bear both manufacturer and testing mark.



McGuire Manufacturing Co., Inc.

60 Grandview Court
 Cheshire, Connecticut 06410
 (203) 699-1801 Fax (203) 699-1813
 customerservice@mcguiremfg.com mcguiremfg.com

Part No.

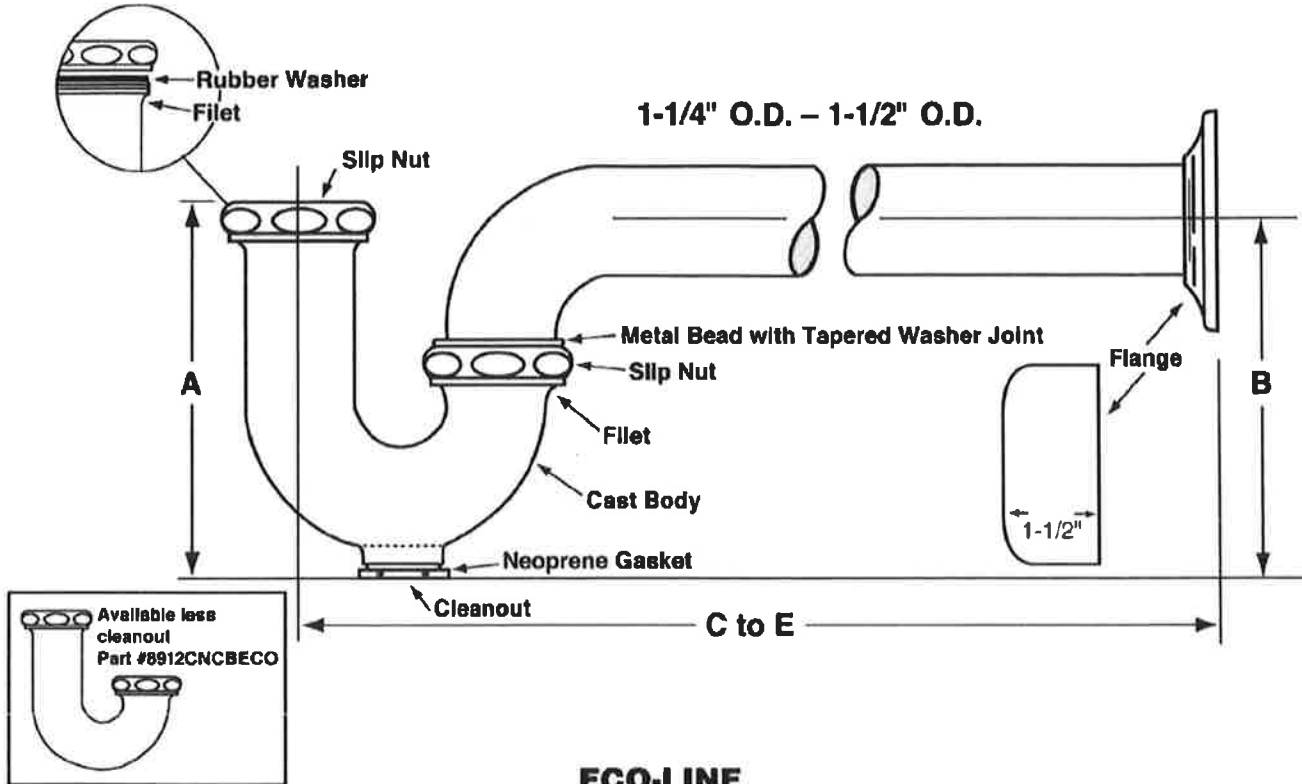
C8872CECO

**Cast Body P-Trap With
 or Without Cleanout**

PRODUCT SPECIFICATION

Job Name:

Submittal Number:



ECO-LINE

ROUGHING MEASUREMENTS

MODEL NO.	TRAP DIMENSIONS		A	B	C to E	FLANGE	SLIP NUT
	INLET	OUTLET					
C8872CECO	1-1/4"	1-1/4"	4-1/2"	4-1/2"	10"	Shallow	Zinc

**FED SPEC W.W.P. 541
 CAST BRASS P-TRAP
 MINIMUM SEAL 2"**



ASME A112.18.2/CSA B125.2

Specifications:

Chrome plated P-Trap shall be cast brass body, with or without cleanout, with 17 gauge seamless tubular wall bend and flange.



WARNING:
 This product can expose you to chemicals including lead, which is known to the State of California to cause cancer, and birth defects or other reproductive harm. For more information go to www.P65Warnings.ca.gov.



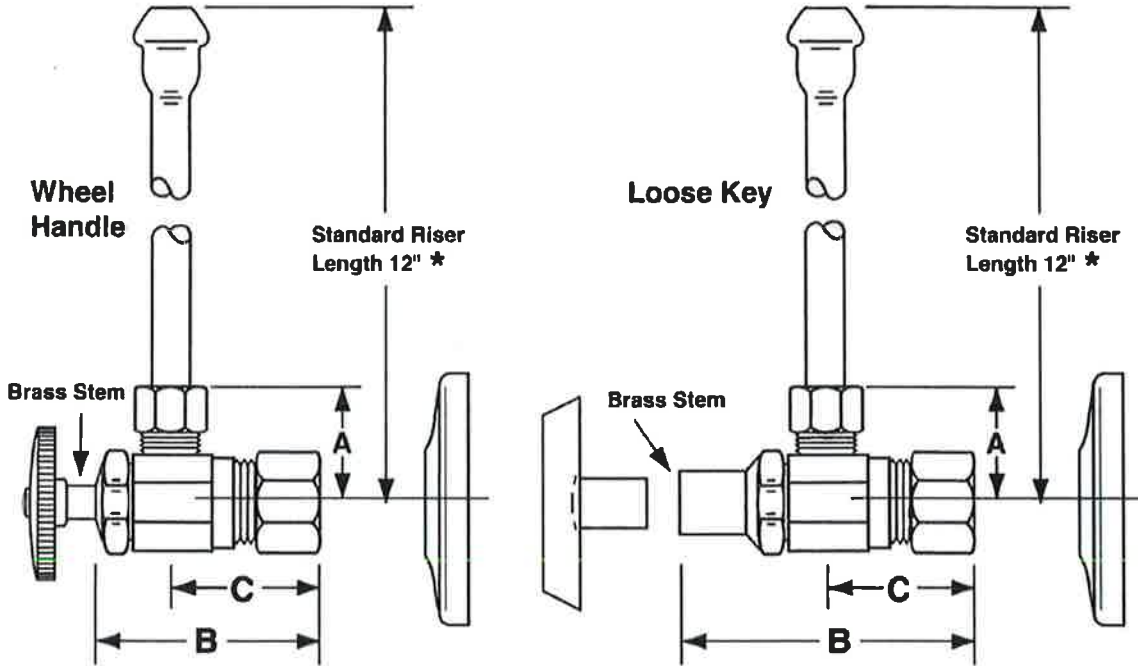
McGuire Manufacturing Co., Inc.
 60 Grandview Court
 P.O. Box 746 • Cheshire, CT 06410
 203-699-1801 • Fax: 203-699-1813
 www.mcguiremfg.com

PRODUCT SPECIFICATION

Part No.
 LF2165CC, **LF2165CCLK**,
 LF2167CC, LF2167CCLK
**Compression x Compression
 Lavatory Supply**

Job Name: _____

Submittal Number: _____



NO.	DESCRIPTION	ROUGHING MEASUREMENTS		
		A	B	C
LF2165CC	1/2" Nominal x 3/8" O.D.	1"	1-3/4"	1"
LF2165CCLK	1/2" Nominal x 3/8" O.D.	1"	2-3/8"	1"
LF2167CC	1/2" Nominal x 1/2" O.D.	1"	1-3/4"	1-1/4"
LF2167CCLK	1/2" Nominal x 1/2" O.D.	1"	2-3/8"	1-1/4"



LK designates Loose Key

* See options and accessories section for details on product variations.



Specifications:

Supply kit shall include low lead chrome plated supply brass stop valves with full turn brass stem, no plastic, (12, 15, 20) inch chrome plated risers and (shallow, deep, bell) (steel, brass) or (forged brass with set screw) flange. Inlet shall be (3/8, 1/2) inch IPS. Outlet shall be (3/8, 1/2) inch (IPS, compression). Supply kit shall be McGuire _____ . Supply kit shall be low lead certified by recognized authority and bear manufacturer and testing mark.



COMBINATION KIT: ONE TRAP, TWO SUPPLY STOP PROTECTORS, AND ONE OFFSET DRAIN PROTECTOR

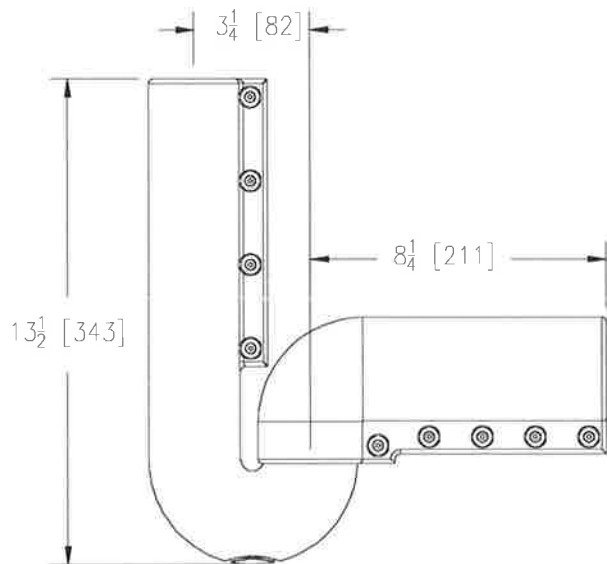
Z8946-3-NT

TAG _____

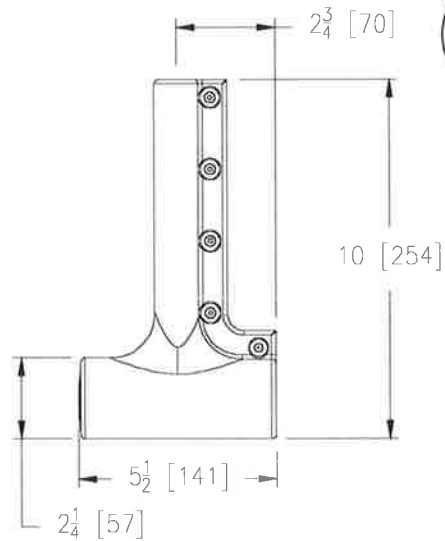


ENGINEERING SPECIFICATION: ZURN Z8946-3-NT Combination Kit: One trap protector, two supply stop protectors and one offset drain protector, satin white PVC resin. Antimicrobial, resists thermal transfer, and is ADA compliant. Trap protector fits both tubular and semi-cast P traps.

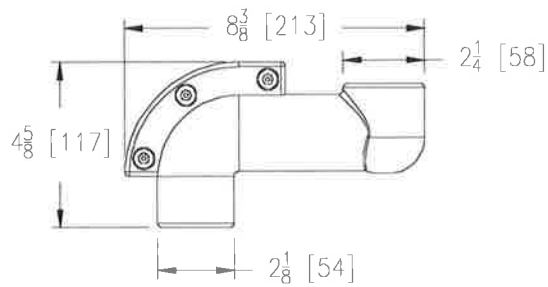
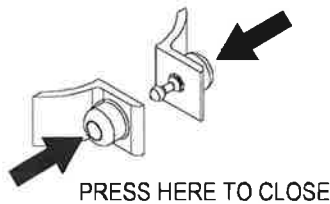
Patent Pending



TRAP PROTECTOR



SUPPLY STOP PROTECTOR



OFFSET DRAIN PROTECTOR

ZURN INDUSTRIES, LLC. ♦ COMMERCIAL BRASS OPERATION ♦ 5900 ELWIN BUCHANAN DRIVE ♦ SANFORD NC 27330

Phone: 1-800-997-3876 ♦ Fax: 919-775-3541 ♦ World Wide Web: www.zurn.com

In Canada: ZURN INDUSTRIES LIMITED ♦ 3544 Nashua Drive ♦ Mississauga, Ontario L4V1L2 ♦ Phone: 905-405-8272 Fax: 905-405-1292

AquaSpec® is a registered trademark of Zurn Industries, LLC.

Rev. B
Dwg. No. 66245

Date: 3/4/2015
Product No. Z8946-3-NT