

Quality People. Building Solutions.

Comfort Systems USA (Arkansas), Inc.
P.O. Box 16620
Little Rock, AR 72231
Phone 501-834-3320
Fax 501-834-5416

Date: 5/17/2024
Return Request: 5/27/2024
Project: CALS Main Library Renovations
Supplier: Sanders Supply
Manufacturer: Various
Submittal: Commercial Urinals
Submittal Number: 22 42 13.16-01
Drawing # and Installation: Plumbing Drawings

ARCHITECT

Polk Stanley Wilcox
801 South Spring St.
Little Rock, AR 72201
501-378-0878

ENGINEER

Bernhard
1 Allied Drive, Bldg. 2, Suite 2600
Little Rock, AR 72202
501-666-6776

GENERAL CONTRACTOR

CDI
3000 Cantrell Rd.
Little Rock, AR 72202
501-5666-4300

MECHANICAL SUBCONTRACTOR

Comfort Systems USA (Arkansas), Inc.
9924 Landers Rd.
N. Little Rock, AR 72117
501-834-3320

Notes:

CSUSA PROJECT NO.
23-8016
dpierce@comfortar.com

9924 Landers Rd.
No. Little Rock, AR 72117

UR-1,UR-2

**Washbrook® FloWise®
Universal Urinal**

- Vitreous china
- Ultra High Efficiency, Low Consumption. Operates in the range of 0.125gpf to 1.0gpf (0.5 Lpf to 3.8 Lpf)
- Flushing rim
- Elongated 14" rim from finished wall
- Washout flush action
- Extended sides for privacy
- 3/4" inlet spud
- Outlet connection threaded 2" inside (NPTF)
- 2 wall hangers
- Fixture only
- Strainer included
- Meets ASME flush requirements at 0.125 to 1.0 gpf

- 6590.001 Universal Top spud
- 6515.001 Universal Back spud

Nominal Dimensions:

360 x 480 x 664mm
(14-1/8" x 18-7/8" x 26-1/8")

Recommended working pressure – between 20 psi at valve when flushing and 80 psi static

Compliance Certifications -

Meets or Exceeds the Following Specifications:

- ASME A112.19.2-2008/CSA B45.1-08 for Vitreous China Fixtures



SEE REVERSE FOR ROUGHING-IN DIMENSIONS

To Be Specified:

- Color: White
- Flush Valve:
 - 1.0 gpf Flush Valve: Sensor-Operated:
 - American Standard Selectronic® #6063.101.002 DC Power (Top Spud)
 - American Standard Selectronic® #6062.101.002 AC Power (Back Spud)
 - 1.0 gpf Flush Valve: Manual-Operated:
 - American Standard # 6045.101.002
 - 0.5 gpf Flush Valve: Sensor-Operated:
 - American Standard Selectronic® #6063.051.002 DC Power (Top Spud)
 - American Standard Selectronic® #6062.051.002 AC Power (Back Spud)
 - 0.5 gpf Flush Valve: Manual-Operated:
 - American Standard #6045.051.002
 - 0.125 gpf Flush Valve: Sensor-Operated:
 - American Standard Selectronic® #6063.013.002 DC Power (Top Spud)
 - American Standard Selectronic® #6062.013.002 AC Power (Back Spud)
 - 0.125 gpf Flush Valve: Manual-Operated:
 - American Standard #6045.013.002



MEETS THE AMERICANS WITH DISABILITIES ACT GUIDELINES AND ANSI A117.1 ACCESSIBLE AND USABLE BUILDINGS AND FACILITIES - CHECK LOCAL CODES.

- When installed so top of rim is 432mm (17") MAXIMUM from finished floor.

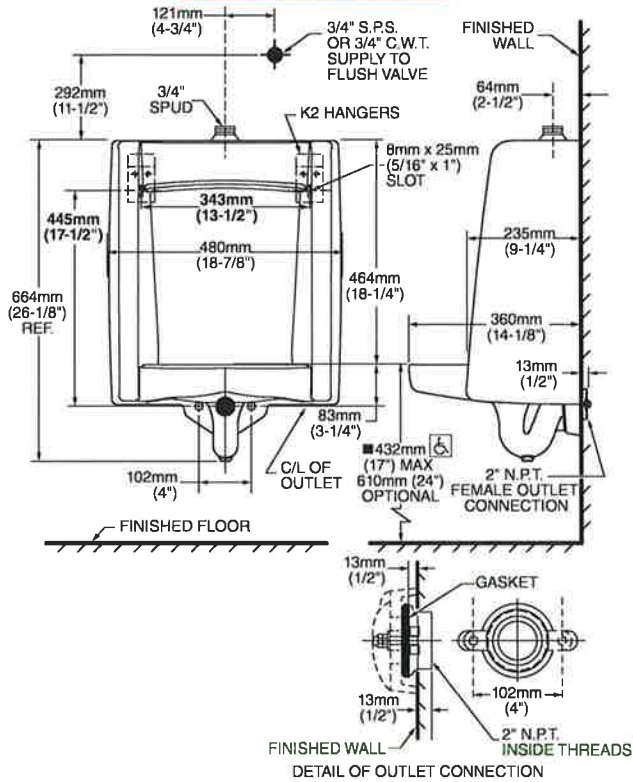


When used with 0.125 gpf urinal flush valve

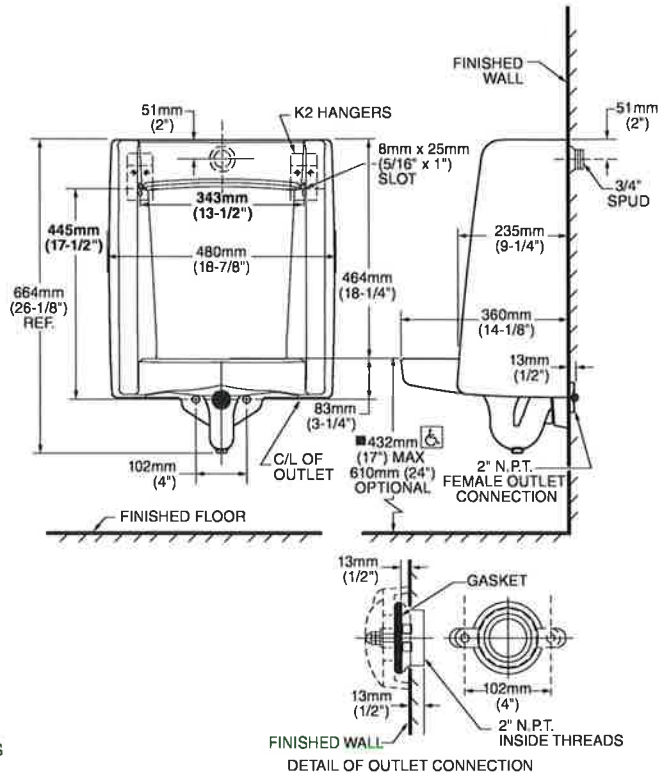
When used with 0.125 or 0.5 gpf urinal flush valve

ADA COMPLIANT

6590.001 TOP SPUD



6515.001 BACK SPUD



MEETS THE AMERICANS WITH DISABILITIES ACT GUIDELINES AND ANSI A117.1 ACCESSIBLE AND USABLE BUILDINGS AND FACILITIES - CHECK LOCAL CODES.

● When installed so top of rim is 432mm (17") MAXIMUM from finished floor.

NOTES:
FLUSH VALVE NOT INCLUDED AND MUST BE ORDERED SEPARATELY.
PROVIDE SUITABLE REINFORCEMENT FOR ALL WALL SUPPORTS.

IMPORTANT: Dimensions of fixtures are nominal and may vary within the range of tolerances established by ANSI Standard A112.19.2. These measurements are subject to change or cancellation. No responsibility is assumed for use of superseded or voided pages.



Z6003

Exposed Flush Valve for Urinals

TAG UR-1,UR-2

Architectural/Engineering Specification:

Exposed, quiet diaphragm-type, chrome plated flushometer valve with a polished exterior. Complete with a chloramine resistant, dual seal diaphragm with a clog resistant by-pass. The valve is ADA compliant with a non-hold open and no leak handle feature. Internal seals are made of chloramine resistant materials.

Product Features:

- Control Stop has internal siphon-guard protection, sweat solder kit, wall flange with set screw.
- High back pressure vacuum breaker with one piece hex coupling nut
- Chloramine resistant Internal seals
- Adjustable tailpiece
- Spud coupling and flange for top spud connection

Valve Height Options:

	Product No.	A
<input checked="" type="checkbox"/>	Z6003	11 1/2" [292]
<input type="checkbox"/>	Z6003-1	16" [406]
<input type="checkbox"/>	Z6003-2	24" [610]
<input type="checkbox"/>	Z6003-3	27" [686]

Compliance and Certification:

- ADA Compliant



*This product should be used with a WaterSense labeled counterpart with a compatible flow volume to ensure that the entire system meets the requirements for water efficiency and performance.



Flow Options:

	Flush Volume	WaterSense* Labeled
<input checked="" type="checkbox"/> -ULF**	0.125 gpf	✓
<input type="checkbox"/> -EWS**	0.5 gpf	✓
<input type="checkbox"/> -WS1	1.0 gpf	

Suffix Options:

- BG BioCare Handle
- L 1" [25] Metal Push Button
- VC Vandal Resistant Stop Cover
- YB Sweat Solder Kit
- YC Cast Wall Flange
- YJ Split Ring Pipe Support
- YK Solid Ring Pipe Support

Upgrade Options:

- PL **Aquaflush Plus** - includes Vandal Resistant Stop Cover and Proprietary Dezincification resistant low lead brass alloy body.
- TFB Triple Filter By-pass

** Not available w/-TFB

Architectural/Engineering Approval

The information contained in this document is subject to change without notice. Please contact Zurn for most up to date information.

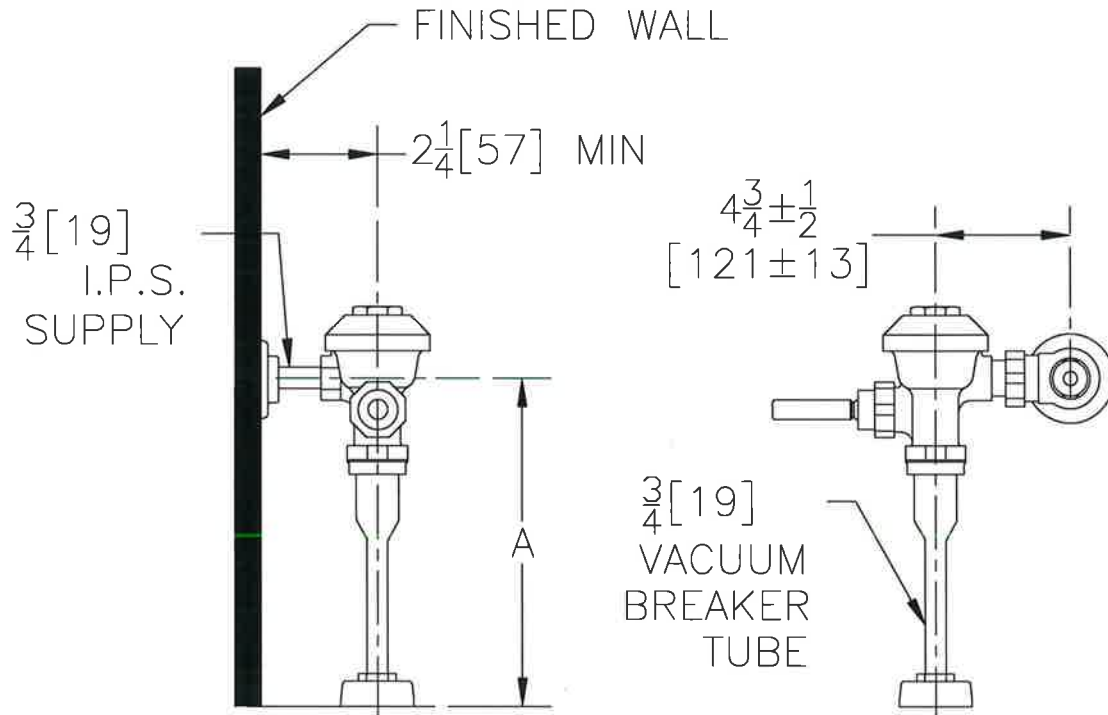


Z6003

Exposed Flush Valve for Urinals

TAG _____

Rough-in/Overview dimensions

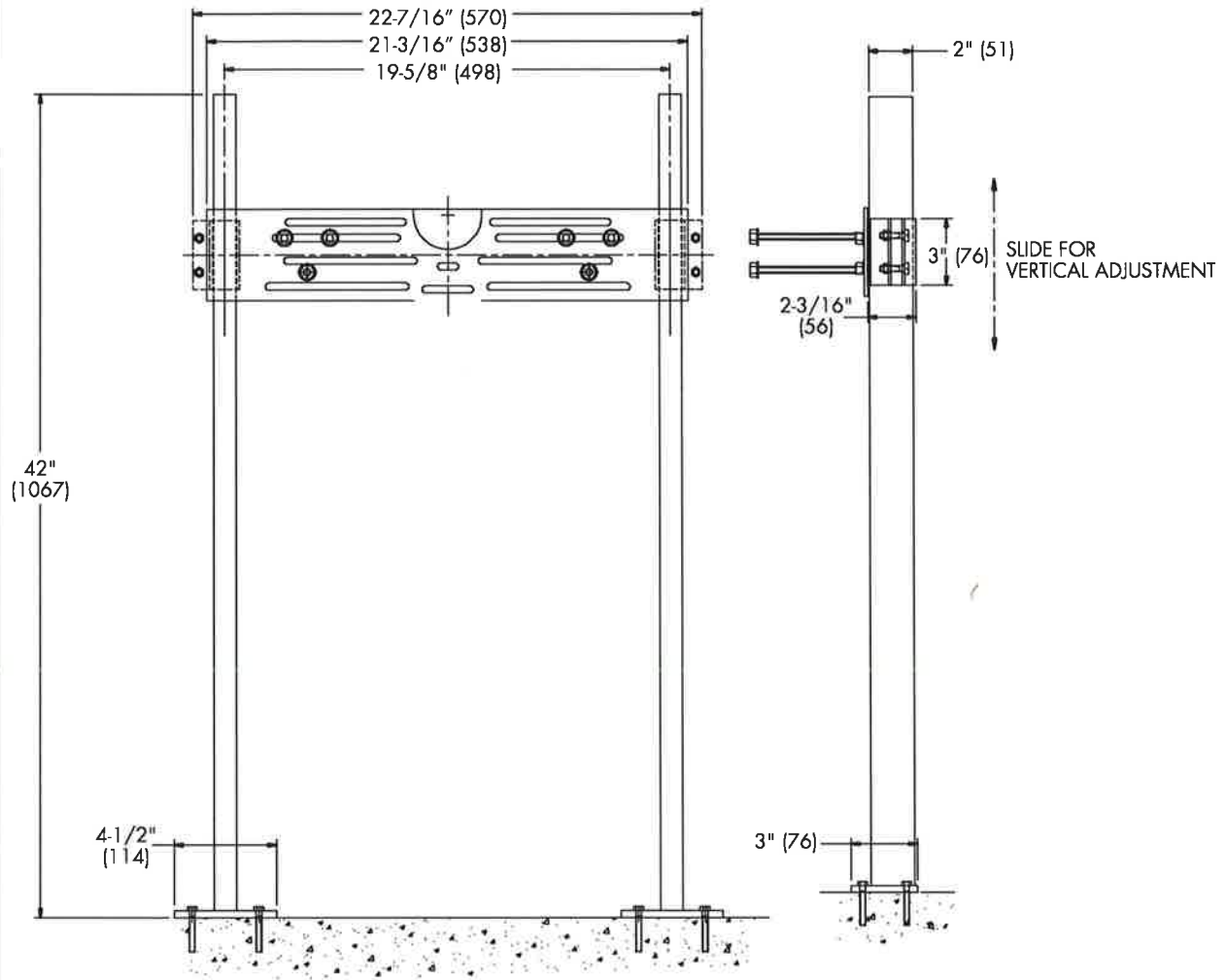




Tag: **CA-311**
UR-1,UR-2

**Floor Mounted
Urinal Carrier**

SPECIFICATION: Watts Drainage CA-311 epoxy coated floor mounted urinal carrier with heavy gauge steel offset uprights with welded feet, universal steel hangar support plate with integral mounting brackets and plated hardware.



Note: Anchor legs to concrete floor with minimum 1/2" (13) anchor bolts (by others).

Job Name **CALS Library** Contractor **Comfort Systems USA**

Job Location **LR** Contractor's P.O. No. _____

Engineer **BTME** Representative **Sanders Supply**

WATTS Drainage reserves the right to modify or change product design or construction without prior notice and without incurring any obligation to make similar changes and modifications to products previously or subsequently sold. See your WATTS Drainage representative for any clarification. Dimensions are subject to manufacturing tolerances.



Specification Drainage Products

USA: 100 Watts Road, Spindale, NC, 28160-2298; TEL: 828-288-2179 TOLL-FREE: 1-800-338-2581 www.watts.com