

Quality People. Building Solutions.

Comfort Systems USA (Arkansas), Inc.
P.O. Box 16620
Little Rock, AR 72231
Phone 501-834-3320
Fax 501-834-5416

Date: 5/17/2024
Return Request: 5/27/2024
Project: CALS Main Library Renovations
Supplier: Comfort Systems USA (Arkansas), Inc.
Manufacturer: Various
Submittal: Storm Drainage Piping Specialties
Submittal Number: 22 14 23-01
Drawing # and Installation: Plumbing Drawings

ARCHITECT

Polk Stanley Wilcox
801 South Spring St.
Little Rock, AR 72201
501-378-0878

ENGINEER

Bernhard
1 Allied Drive, Bldg. 2, Suite 2600
Little Rock, AR 72202
501-666-6776

GENERAL CONTRACTOR

CDI
3000 Cantrell Rd.
Little Rock, AR 72202
501-5666-4300

MECHANICAL SUBCONTRACTOR

Comfort Systems USA (Arkansas), Inc.
9924 Landers Rd.
N. Little Rock, AR 72117
501-834-3320

Notes:

CSUSA PROJECT NO.

23-8016

dpierce@comfortar.com

9924 Landers Rd.
No. Little Rock, AR 72117

Pipe Valve & Fitting Schedule - CALS Main Library Renovation

System	Spec Section	Pipe	Fittings	Joint
Storm Drain - Above Grade	22 11 23	Hubless Cast Iron; ASTM A888/CISPI 301	Hubless Cast Iron; ASTM A888/CISPI 301	Standard Hubless Band; ASTM C1277/CISPI 310
Storm Drain - Below Grade	22 11 23	Schedule 40 PVC DWV; ASTM D2655	PVC DWV; ASTM D2655/ASTM D3311	Solvent Weld (Glue & Primer); ASTM D2564

RD-1

Engineering Specification

Job Name **CALS Library**
 Job Location **LR**
 Engineer **BTME**
 Approval _____
 Tag **RD-1**

Contractor **Comfort Systems USA**
 Approval _____
 Contractor's P.O. No. _____
 Representative **Sanders Supply**

RD-300-F Roof Drain with Deck Flange/ Adjustable Extension

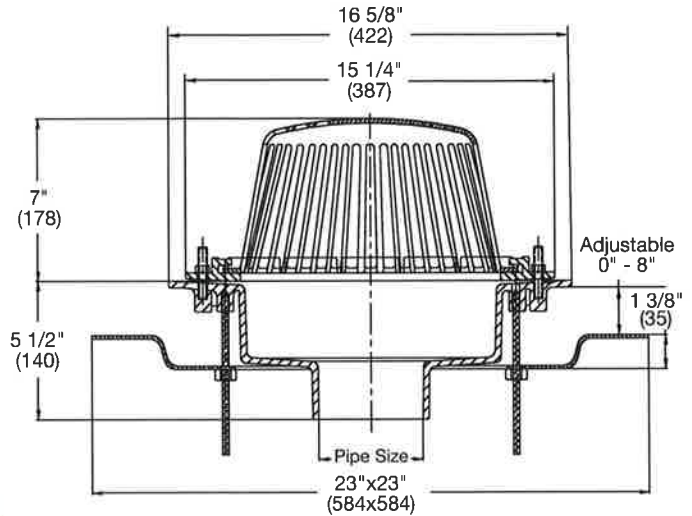
Specification

Watts RD-300-F epoxy coated cast iron roof drain with flashing clamp with integral gravel stop, heavy 10 ga. zinc plated steel deck flange and adjustable extension, self-locking polyethylene dome (standard), and no hub (standard) outlet.

Pipe Sizing	
Suffix	Description
2	2"(51) Pipe Size (NH Only) <input type="checkbox"/>
3	3"(76) Pipe Size <input type="checkbox"/>
4	4"(102) Pipe Size <input type="checkbox"/>
5	5"(127) Pipe Size (NH Only) <input type="checkbox"/>
6	6"(152) Pipe Size <input type="checkbox"/>
8	8"(203) Pipe Size <input type="checkbox"/>
10	10"(254) Pipe Size (NH Only) <input type="checkbox"/>

Outlet Type	
Suffix	Description
NH	No Hub (MJ) <input checked="" type="checkbox"/>
P	Push On <input type="checkbox"/>
X	Inside Caulk <input type="checkbox"/>

Options	
Suffix	Description
-13	Galvanized Body & Clamp <input type="checkbox"/>
-85	IRMA Perf. SS Extension <input type="checkbox"/>
-AC	Compression Seal Extension <input type="checkbox"/>
-AE	Threaded Extension <input type="checkbox"/>
-D	Underdeck Clamp <input checked="" type="checkbox"/>
-GSS	Stainless Steel Ballast Guard <input type="checkbox"/>
-K	Ductile Iron Dome <input checked="" type="checkbox"/>
-K13	Galvanized Dome <input type="checkbox"/>
-K40	Ductile Iron Low Dome (4" High) <input type="checkbox"/>
-K80	Aluminum Dome <input type="checkbox"/>
-K81	Rough Bronze Dome <input type="checkbox"/>
-K83	SS Mesh Covered Dome <input type="checkbox"/>
-L	Vandal Proof Dome <input type="checkbox"/>
-R	2" External Water Dam <input type="checkbox"/>
-W	Adj. Internal Water Dam <input type="checkbox"/>



Deck Opening 18 1/2" (470)

Free Area
Sq. In.
137

NOTICE

The information contained herein is not intended to replace the full product installation and safety information available or the experience of a trained product installer. You are required to thoroughly read all installation instructions and product safety information before beginning the installation of this product.

Watts product specifications in U.S. customary units and metric are approximate and are provided for reference only. For precise measurements, please contact Watts Technical Service. Watts reserves the right to change or modify product design, construction, specifications, or materials without prior notice and without incurring any obligation to make such changes and modifications on Watts products previously or subsequently sold.



USA: T: (800) 338-2581 • F: (828) 248-3929 • Watts.com
 Canada: T: (888) 208-8927 • F: (905) 481-2316 • Watts.ca
 Latin America: T: (52) 55-4122-0138 • Watts.com