

Quality People. Building Solutions.

Comfort Systems USA (Arkansas), Inc.
P.O. Box 16620
Little Rock, AR 72231
Phone 501-834-3320
Fax 501-834-5416

Date: 5/17/2024
Return Request: 5/27/2024
Project: CALS Main Library Renovations
Supplier: Sanders Supply
Manufacturer: Various
Submittal: Sanitary Waste Piping Specialties
Submittal Number: 22 13 19-01
Drawing # and Installation: Plumbing Drawings

ARCHITECT

Polk Stanley Wilcox
801 South Spring St.
Little Rock, AR 72201
501-378-0878

ENGINEER

Bernhard
1 Allied Drive, Bldg. 2, Suite 2600
Little Rock, AR 72202
501-666-6776

GENERAL CONTRACTOR

CDI
3000 Cantrell Rd.
Little Rock, AR 72202
501-5666-4300

MECHANICAL SUBCONTRACTOR

Comfort Systems USA (Arkansas), Inc.
9924 Landers Rd.
N. Little Rock, AR 72117
501-834-3320

Notes:

CSUSA PROJECT NO.
23-8016
dpierce@comfortar.com

9924 Landers Rd.
No. Little Rock, AR 72117

Engineering Specification

Job Name _____
 Job Location _____
 Engineer _____
 Approval _____

Contractor _____
 Approval _____
 Contractor's P.O. No. _____
 Representative _____

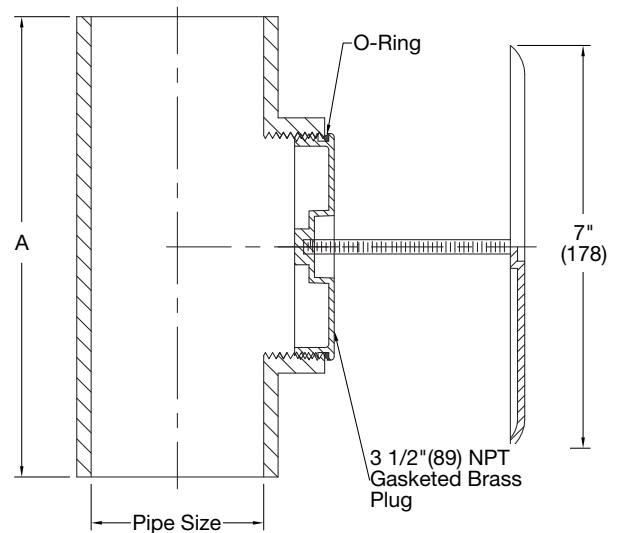
CO-460-RD Stack Cleanout with Brass Plug & Stainless Steel Cover Specification

Watts CO-460 cast iron stack cleanout with gasketed brass countersunk plug, stainless steel access cover, vandal proof stainless steel screw, and no hub connections.



Call customer service if you need assistance with technical details.

Pipe Size	"A" Height
2"(51)	6 1/4"(159)
3"(76)	7 3/4"(197)
4"(102)	9"(229)



NOTICE

The information contained herein is not intended to replace the full product installation and safety information available or the experience of a trained product installer. You are required to thoroughly read all installation instructions and product safety information before beginning the installation of this product.

Watts product specifications in U.S. customary units and metric are approximate and are provided for reference only. For precise measurements, please contact Watts Technical Service. Watts reserves the right to change or modify product design, construction, specifications, or materials without prior notice and without incurring any obligation to make such changes and modifications on Watts products previously or subsequently sold.



Engineering Specification

Job Name _____
 Job Location _____
 Engineer _____
 Approval _____

Contractor _____
 Approval _____
 Contractor's P.O. No. _____
 Representative _____

CO-200-RX-4 Floor Cleanout with Ductile Iron Top Specification

Watts CO-200-RX-4 epoxy coated cast iron floor cleanout with 5"(127) round adjustable gasketed heavy duty ductile iron top, removable gas tight gasketed brass cleanout plug, and no hub (standard) outlet.

Call customer service if you need assistance with technical details.



Pipe Sizing		
Suffix	Description	
2	2"(51) Pipe Size	<input type="checkbox"/>
3	3"(76) Pipe Size	<input type="checkbox"/>
4	4"(102) Pipe Size	<input type="checkbox"/>

Outlet Type		
Suffix	Description	
NH	No Hub (MJ)	<input type="checkbox"/>
P	Push On	<input type="checkbox"/>
X	Inside Caulk	<input type="checkbox"/>

Options		
Suffix	Description	
-C	Membrane Clamp	<input type="checkbox"/>
-6	Vandal Proof	<input type="checkbox"/>
-13	Galvanized Body	<input type="checkbox"/>

Optional Body Material		
Suffix	Description	
-60	PVC Body w/Poly Plug	<input type="checkbox"/>
-61	ABS Body w/Poly Plug	<input type="checkbox"/>

Load Rating
XHD

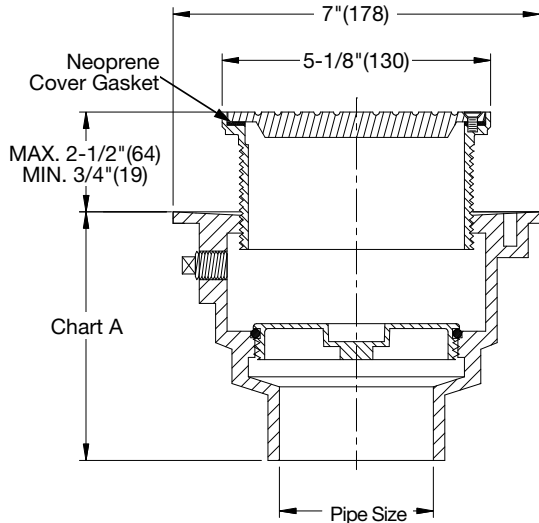


Chart A

Pipe Size	No Hub (MJ)	Push On	PVC/ABS
2"(51)	4 1/2"(114)	5 1/2"(140)	4"(102)
3"(76)	4 1/2"(114)	5 1/2"(140)	4"(102)
4"(102)	4 3/4"(121)	5 1/2"(140)	4"(102)

NOTICE
 The load classifications are in accordance with the American National Standards ASME A112.21.1M ASME Ratings are as follows:
 XHD - Safe Live Load 7500-10,000 lbs. (3375-4500 kg)
 The above categories are given as a guide only. Please consult factory.

NOTICE
 The information contained herein is not intended to replace the full product installation and safety information available or the experience of a trained product installer. You are required to thoroughly read all installation instructions and product safety information before beginning the installation of this product.

Watts product specifications in U.S. customary units and metric are approximate and are provided for reference only. For precise measurements, please contact Watts Technical Service. Watts reserves the right to change or modify product design, construction, specifications, or materials without prior notice and without incurring any obligation to make such changes and modifications on Watts products previously or subsequently sold.



Engineering Specification

Job Name _____

Contractor _____

Job Location _____

Approval _____

Engineer _____

Contractor's P.O. No. _____

Approval _____

Representative _____

CO-200-R Floor Cleanout With Round Top Specification

Watts CO-200-R epoxy coated cast iron floor cleanout with 5"(127) round adjustable gasketed nickel bronze top, removable gas tight gasketed brass cleanout plug, and no hub (standard) outlet.

Call customer service if you need assistance with technical details.



Pipe Sizing		
Suffix	Description	
2	2"(51) Pipe Size	<input type="checkbox"/>
3	3"(76) Pipe Size	<input type="checkbox"/>
4	4"(102) Pipe Size	<input type="checkbox"/>

Outlet Type		
Suffix	Description	
NH	No Hub (MJ)	<input type="checkbox"/>
P	Push On	<input type="checkbox"/>
X	Inside Caulk	<input type="checkbox"/>

Options		
Suffix	Description	
-C	Membrane Clamp	<input type="checkbox"/>
-6	Vandal Proof	<input type="checkbox"/>
-13	Galvanized Body	<input type="checkbox"/>
-CF	Carpet Clamping Flange	<input type="checkbox"/>
-SO	Side Outlet	<input type="checkbox"/>

Optional Body Material		
Suffix	Description	
-60	PVC Body w/Poly Plug	<input type="checkbox"/>
-61	ABS Body w/Poly Plug	<input type="checkbox"/>

Load Rating
MD

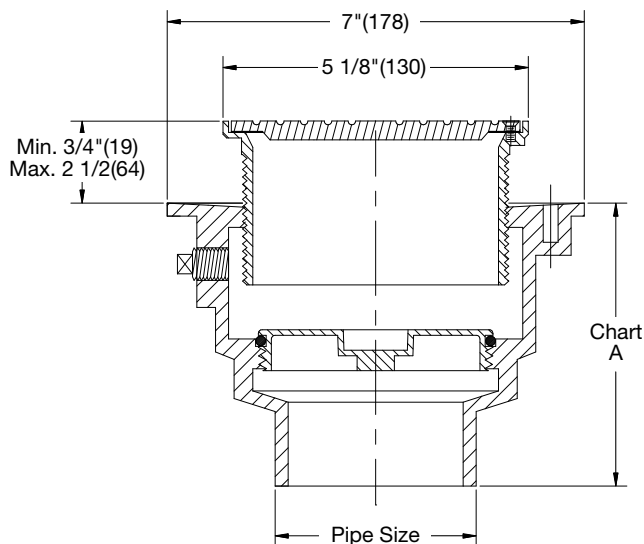


Chart A

Pipe Size	NH	Push On	PVC/ABS
2"(51)	4 3/4"(121)	5 1/2"(140)	4"(102)
3"(76)	4 3/4"(121)	5 1/2"(140)	4"(102)
4"(102)	4 3/4"(121)	5 1/2"(140)	4"(102)

NOTICE

The load classifications are in accordance with the American National Standards ASME A112.36.2M-91(R2012) ASME Ratings are as follows:
 MD - Safe Live Load 2000-4999 lbs. (900-2250 kg)
 The above categories are given as a guide only.
 Please consult factory.

NOTICE

The information contained herein is not intended to replace the full product installation and safety information available or the experience of a trained product installer. You are required to thoroughly read all installation instructions and product safety information before beginning the installation of this product.

Watts product specifications in U.S. customary units and metric are approximate and are provided for reference only. For precise measurements, please contact Watts Technical Service. Watts reserves the right to change or modify product design, construction, specifications, or materials without prior notice and without incurring any obligation to make such changes and modifications on Watts products previously or subsequently sold.



USA: T: (800) 338-2581 • Watts.com

Canada: T: (888) 208-8927 • Watts.ca

Latin America: T: (52) 55-4122-0138 • Watts.com

ES-WD-CO-200-R 2410

© 2024 Watts

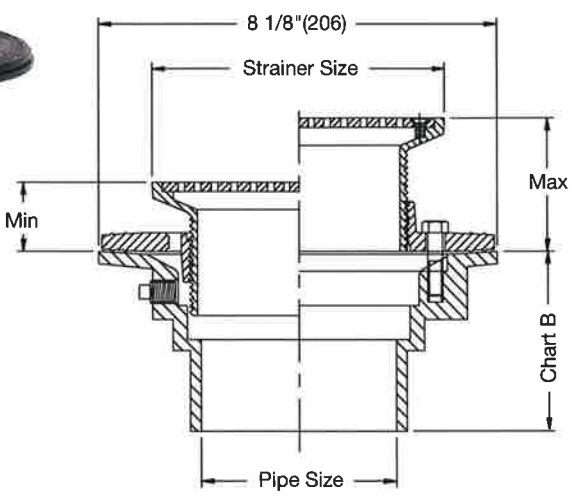


FD-1

Engineering Specification

Job Name CALS Library Contractor Comfort Systems USA
 Job Location LR Approval _____
 Engineer BTME Contractor's P.O. No. _____
 Approval _____ Representative Sanders Supply

FD-100-M Floor Drain with Square Strainer



Specification

Watts FD-100-M epoxy coated cast iron floor drain anchor flange, reversible clamping collar with primary & secondary weepholes, adjustable square heel proof nickel bronze strainer, and no hub (standard) outlet.

Call customer service if you need assistance with technical details.

Pipe Sizing	
Suffix	Description
2	2" (51) Pipe Size <input type="checkbox"/>
3	3" (76) Pipe Size <input type="checkbox"/>
4	4" (102) Pipe Size <input type="checkbox"/>
6	6" (152) Pipe Size <input checked="" type="checkbox"/>

Outlet Type	
Suffix	Description
NH	No Hub (MJ) <input type="checkbox"/>
P	Push On <input checked="" type="checkbox"/>
T	Threaded Outlet <input type="checkbox"/>
X	Inside Caulk <input type="checkbox"/>

Strainer	
Suffix	Description
M5	5" x 5" (127) Nickel Bronze <input type="checkbox"/>
M6	6" x 6" (152) Nickel Bronze <input checked="" type="checkbox"/>
M8	8" x 8" (203) Nickel Bronze <input type="checkbox"/>

Optional Body Material	
Suffix	Description
-60	PVC Body w/Socket Outlet <input type="checkbox"/>
-61	ABS Body w/Socket Outlet <input type="checkbox"/>

Options	
Suffix	Description
-5	Sediment Bucket <input type="checkbox"/>
-6	Vandal Proof <input type="checkbox"/>
-7	Trap Primer Tapping <input checked="" type="checkbox"/>
-8	Backwater Valve (2, 3, 4" Only) <input type="checkbox"/>
-9	Hinged Grate (6", 8" Str. Only) <input type="checkbox"/>
-13	Galvanized Body <input type="checkbox"/>
-15	Strainer Extension (DD-50) <input type="checkbox"/>
-F4-50	4" Round Cast Iron Funnel <input type="checkbox"/>
-F4-1	4" Round Nickel Bronze Funnel <input type="checkbox"/>
-F6-1	6" Round Nickel Bronze Funnel <input type="checkbox"/>
-G-50	4" x 9" Oval Cast Iron Funnel <input type="checkbox"/>
-G-1	4" x 9" Oval Nickel Bronze Funnel <input type="checkbox"/>
SO	Side Outlet <input type="checkbox"/>

Strainer Size

Str. Dia.	Min.	Max.	Load Rating	Free Area Sq. In.
5" x 5" (127x127)	1" (25)	3" (76)	MD	9
6" x 6" (152x152)	1 1/8" (29)	3 1/8" (79)	MD	12
8" x 8" (203x203)	1 1/4" (32)	3 1/4" (83)	MD	26

Chart B

Pipe Size	Std. No Hub	P Push On	T Female Thread	X Inside Caulk	60/61 PVC/ABS
2" (51)	3 5/8" (92)	4 1/4" (108)	4 1/4" (108)	4 1/2" (114)	4" (102)
3" (76)	3 5/8" (92)	4 1/4" (108)	4 1/4" (108)	4 1/2" (114)	4" (102)
4" (102)	3 5/8" (92)	4 1/4" (108)	4 1/4" (108)	4 1/2" (114)	4" (102)
6" (152)	3 1/2" (89)	-	-	-	-

NOTICE

The information contained herein is not intended to replace the full product installation and safety information available or the experience of a trained product installer. You are required to thoroughly read all installation instructions and product safety information before beginning the installation of this product.

Watts product specifications in U.S. customary units and metric are approximate and are provided for reference only. For precise measurements, please contact Watts Technical Service. Watts reserves the right to change or modify product design, construction, specifications, or materials without prior notice and without incurring any obligation to make such changes and modifications on Watts products previously or subsequently sold.



USA: T: (800) 338-2581 • Watts.com
 Canada: T: (888) 208-8927 • Watts.ca
 Latin America: T: (52) 55-4122-0138 • Watts.com

Location: FD-1

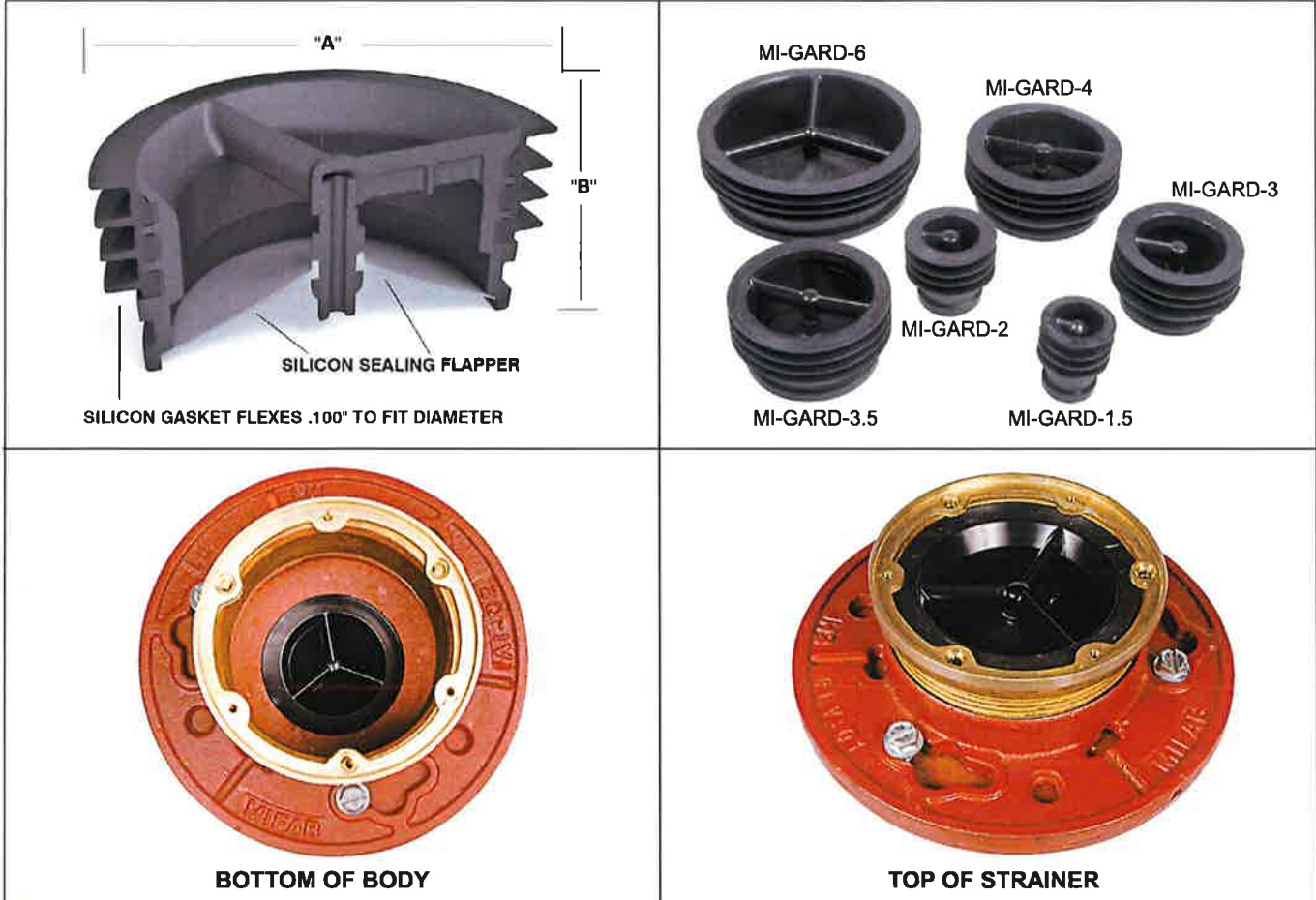


MI-GARD®

FLOOR DRAIN TRAP SEAL

Specification: MIFAB® MI-GARD® Series inline floor drain trap seal with UV resistant ABS plastic frame, silicon rubber sealing flapper and four flexible sealing ribs. Tested and certified to the ASSE 1072 Standard and listed with IAPMO and I.P.C. Specify connection size (1 1/2", 2", 3", 3 1/2", 4" or 6"). 10 year warranty is included.

Function: Used in the outlet connections of floor drain bodies, or the inside of floor drain strainers to seal the opening to prevent odors, sewer gases, and insects from entering up through the floor drain grate. The MI-GARD®'s four flexible silicone sealing ribs ensure easy installation into openings that have variations in size. The MI-GARD® will open to allow drainage and close when there is no water flow.



MODEL NO.	"A" (PIPE SIZE)	"B" (HEIGHT)
○ MI-GARD-1.5	1-1/2" (38)	2" (51)
○ MI-GARD-2	2" (51)	2" (51)
○ MI-GARD-3	3" (76)	2" (51)
○ MI-GARD-3.5	3 1/2" (89)	2" (51)
○ MI-GARD-4	4" (102)	2" (51)
○ MI-GARD-6	6" (152)	2" (51)

MI-GARD® prevents the following from entering through the top of floor drains:

- Odors and sewer gases
- Insects

Not intended to be used in lieu of a trap seal primer. 6" MI-GARD not IAPMO certified. Note:

The MI-GARD-6 is designed in accordance with industry standards but is not listed. MI-GARD

Floor Drain Trap Seals are in compliance with International Plumbing Code (I.P.C.)



MI-GARD-1.5

CALIFORNIA PROPOSITION 65 WARNING. This product contains chemicals known to the State of California to cause cancer and birth defects or other reproductive harm.

Job Name: CALS Library Page No: _____

Section No: _____ Contractor: Comfort Systems USA

Schedule No: _____ Purchase Order No: _____

MIFAB® reserves the right to make changes in material and design without formal notice and obligation.

USA: 1-800-465-2736 www.mifab.com CAN: 1-800-387-3880

FS-1

Engineering Specification

Job Name CALS Library
 Job Location LR
 Engineer BTME
 Approval _____

Contractor Comfort Systems USA
 Approval _____
 Contractor's P.O. No. _____
 Representative Sanders Supply

FS-740 12" Square x 8" Deep Sanitary Floor Sink

Specification

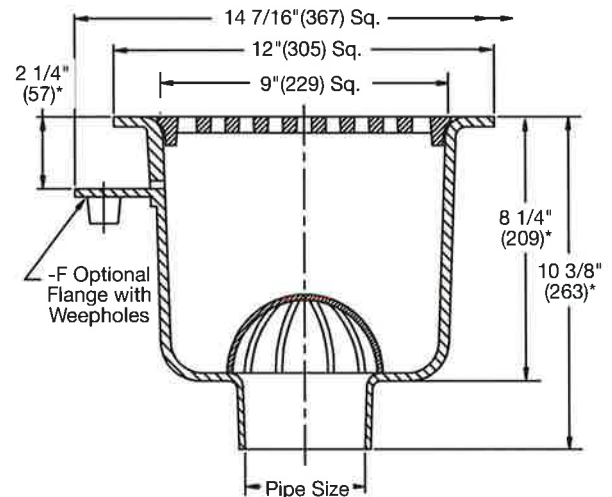
Watts FS-740 12" square x 8" deep sanitary floor sink with white acid resistant porcelain enamel coated interior, loose set porcelain enamel coated cast iron grate, polypropylene dome bottom strainer, and no hub (standard) outlet.



Call customer service at 1 (800) 338-2581 if you need assistance with technical details.

Pipe Sizing			Outlet Type		
Suffix	Description		Suffix	Description	
2	2" (51) Pipe Size	<input type="checkbox"/>	NH	No Hub (M.I.)	<input type="checkbox"/>
3	3" (76) Pipe Size	<input type="checkbox"/>	P	Push-On	<input checked="" type="checkbox"/>
4	4" (102) Pipe Size	<input type="checkbox"/>			

Options		
Suffix	Description	
-F	Flange with Weepholes	<input type="checkbox"/>
-FC	Flange w/Weepholes & Flashing Clamp	<input type="checkbox"/>
FS DS SS	Stainless Steel Dome Strainer	<input type="checkbox"/>
-1	Nickle Bronze Top	<input checked="" type="checkbox"/>
-3	Stainless Steel Rim & Grate	<input type="checkbox"/>
-5	Sediment Bucket	<input type="checkbox"/>
-6	Vandal Proof (-1, -3 Only)	<input type="checkbox"/>
-7	Trap Primer Tapping	<input type="checkbox"/>
-9	Hinged Grate (-1 Only)	<input type="checkbox"/>
-21	Secondary Strainer	<input type="checkbox"/>
-33	Less Grate	<input type="checkbox"/>
-128	Grate w/2 1/2" (64) Center Opening	<input type="checkbox"/>
-150	1/2 Grate	<input checked="" type="checkbox"/>
-175	3/4 Grate	<input type="checkbox"/>
-F4-1	4" Round Nickel Bronze Funnel	<input type="checkbox"/>
-F6-1	6" Round Nickel Bronze Funnel	<input type="checkbox"/>
-G-1	4 x 9" Oval Nickel Bronze Funnel	<input type="checkbox"/>



*Add 5/8" (16) for -1 Nickel Bronze Top or -3 Stainless Steel Top

Free Area Sq. In.	
Standard Grate	With -1/-3 Rim & Grate
31	47

NOTICE

The information contained herein is not intended to replace the full product installation and safety information available or the experience of a trained product installer. You are required to thoroughly read all installation instructions and product safety information before beginning the installation of this product.

Watts product specifications in U.S. customary units and metric are approximate and are provided for reference only. For precise measurements, please contact Watts Technical Service. Watts reserves the right to change or modify product design, construction, specifications, or materials without prior notice and without incurring any obligation to make such changes and modifications on Watts products previously or subsequently sold.



USA: T: (800) 338-2581 • Watts.com
 Canada: T: (888) 208-8927 • Watts.ca
 Latin America: T: (52) 55-4122-0138 • Watts.com