

Quality People. Building Solutions.

Comfort Systems USA (Arkansas), Inc.
P.O. Box 16620
Little Rock, AR 72231
Phone 501-834-3320
Fax 501-834-5416

Date: 5/17/2024
Return Request: 5/27/2024
Project: CALS Main Library Renovations
Supplier: Sanders Supply
Manufacturer: Schier
Submittal: Grease Interceptor
Submittal Number: 22 00 00-01
Drawing # and Installation: Plumbing Drawings

ARCHITECT

Polk Stanley Wilcox
801 South Spring St.
Little Rock, AR 72201
501-378-0878

ENGINEER

Bernhard
1 Allied Drive, Bldg. 2, Suite 2600
Little Rock, AR 72202
501-666-6776

GENERAL CONTRACTOR

CDI
3000 Cantrell Rd.
Little Rock, AR 72202
501-5666-4300

MECHANICAL SUBCONTRACTOR

Comfort Systems USA (Arkansas), Inc.
9924 Landers Rd.
N. Little Rock, AR 72117
501-834-3320

Notes:

CSUSA PROJECT NO.

23-8016

dpierce@comfortar.com

9924 Landers Rd.
No. Little Rock, AR 72117

GI-1

SPECIFICATIONS

- Notes:
- 4" FPT inlet/outlet with 4" plain end adapters, single inlet and triple outlet.
 - Unit weight - w/ cast iron covers: 376 lbs. (For wet weight add 2,310 lbs.)
 - Maximum operating temperature: 150° F continuous
 - Capacities - Liquid: 277 gal.; Grease: 1,895 lbs. (260 gal.) @100GPM Grease: 1,196 lbs. (164 gal.) @200GPM Solids: 69 gal.
 - This unit does not require flow control for 100 GPM applications. Built-in flow control is provided for 200 GPM applications. For series installations, only install flow control on the first unit in the series if necessary.
 - For gravity drainage applications only.
 - Do not use for pressure applications.
 - Cover placement allows full access to tank for proper maintenance.
 - Vent not required unless per local code.
 - Engineered inlet and outlet diffusers with inspection ports are removable to inspect / clean piping.
 - Integral air relief / Anti-siphon / Sampling access.
 - Adjustable cover adapters provide up to 4" of additional height.
 - Designed for below-grade, above-grade, indoor or outdoor installations.
 - Safety Star® access restrictor built into each cover adapter, prevents accidental entry to tanks (450 lb rating).

ENGINEER SPECIFICATION GUIDE

Schier Great Basin™ grease interceptor model # GB-250 shall be lifetime guaranteed and made in USA of seamless, rotationally-molded polyethylene with minimum 3/8" uniform wall thickness. Interceptor shall be furnished for above or below-grade installation with adjustable cover adapters. Safety Star® access restrictor built into each cover adapter, built-in flow control (for 200 GPM only) and three outlet options. Interceptor shall be certified to ASME A112.14.3 (Type D for 100 GPM, type C for 200 GPM) and CSA B481.1. Interceptor flow rate shall be 100 GPM or 200 GPM. Interceptor grease capacity shall be 1,895 lbs. @ 100 GPM or 1,196 lbs. @ 200 GPM. Cover shall provide water/gas-tight seal and have minimum 16,000 lbs. load capacity.

CERTIFIED PERFORMANCE

Great Basin™ hydromechanical grease interceptors are third party performance-tested and listed by IAPMO to ASME #A112.14.3 and CSA B481.1 grease interceptor standards and greatly exceed requirements for grease separation and storage. They are compliant to the Uniform Plumbing Code and the International Plumbing Code.

Type D certification does not require a flow control

SPECIFICATION SHEET

MODEL NUMBER: **GB-250**

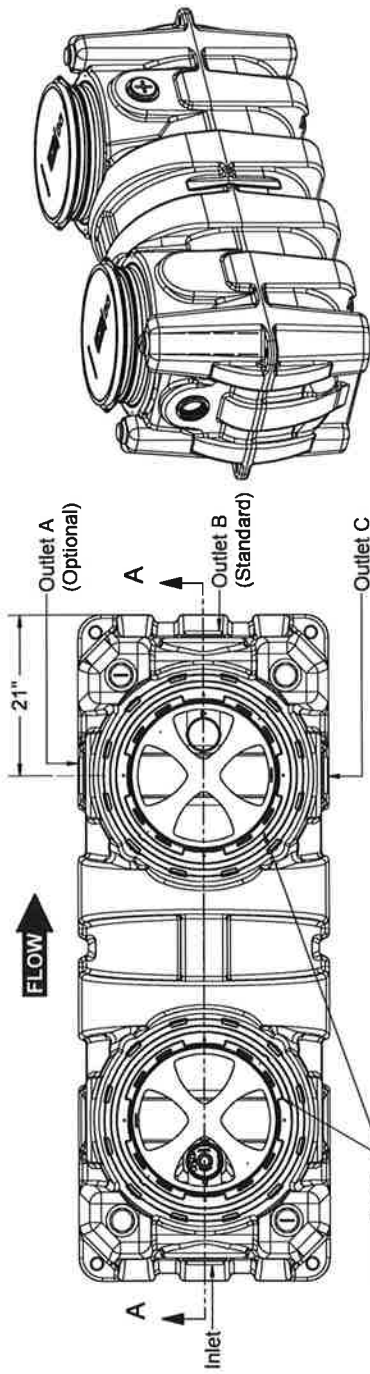
PART NUMBER: 4055-007-02

DESCRIPTION: GB-250 GREASE INTERCEPTOR 100 GPM / 200 GPM, 4" INLET/OUTLET, H-20 RATED CAST IRON COVERS

PROPRIETARY AND CONFIDENTIAL

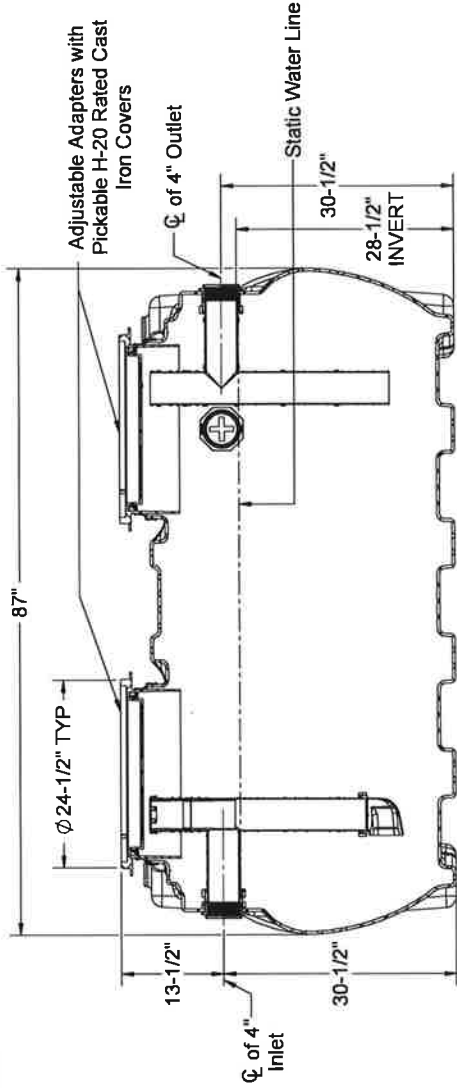
THE INFORMATION CONTAINED IN THIS DRAWING IS THE SOLE PROPERTY OF SCHIER PRODUCTS. ANY REPRODUCTION OR TRANSMISSION OF THIS DRAWING WITHOUT THE WRITTEN PERMISSION OF SCHIER PRODUCTS IS PROHIBITED.

DWG BY: C.SINCLAIR DATE: 5/4/2022 REV: - ECO: -

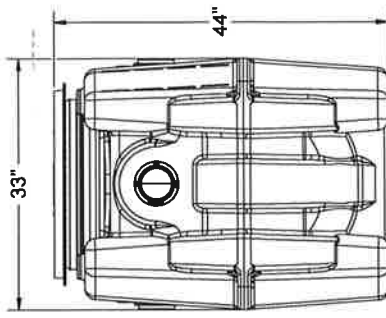


TOP VIEW
(COVERS REMOVED FOR CLARITY)

ISOMETRIC VIEW



SECTION A-A

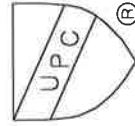
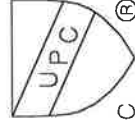


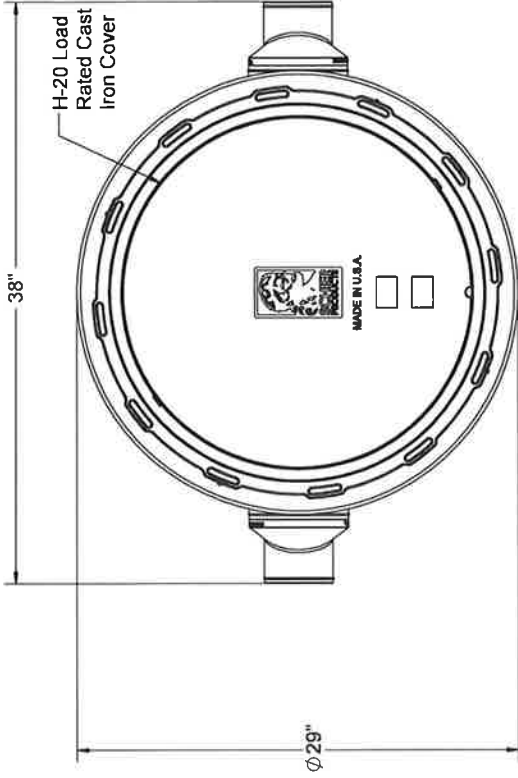
END VIEW



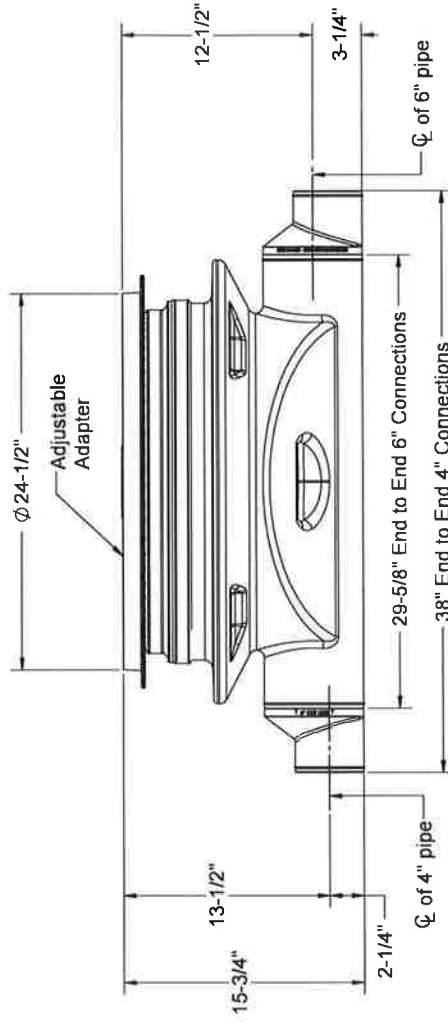
SCHIER

6455 Woodland Dr
Shawnee, KS 66218
Tel: 913-951-3300
Fax: 913-951-3399
schierproducts.com





TOP VIEW



FRONT VIEW

NOTES

1. 4" & 6" plain end inlet/outlets
2. Unit weight - w/cast iron cover: 110 lbs.;
3. Maximum operating temperature: 150° F continuous
4. Level connections
5. H-20 load rated cast iron cover
6. Safety Star™, access restrictor built into each cover adapter, prevents accidental entry to tanks (450 lb rating)

ENGINEER SPECIFICATION GUIDE

Schier Sewer Viewer™ sampling port model # SV24 shall be lifetime guaranteed and made in USA of seamless, rotationally-molded polyethylene. Sampling port shall be furnished for above or below grade installation with Safety Star™ access restrictor built into cover adapter. Cover shall provide water/gas-tight seal and have minimum 16,000 lbs. load capacity.

ACCESSORIES:

- Field cut risers for extending covers to grade
- Cover adapter tie down kit
- Membrane clamping collar kit

SPECIFICATION SHEET

MODEL NUMBER: **SV24**

PART NUMBER: 8064-001-01

DESCRIPTION:
SV24 SEWER VIEWER SAMPLING PORT, 4" AND 6" LEVEL CONNECTIONS,
H-20 LOAD RATED CAST IRON COVER

PROPRIETARY AND CONFIDENTIAL

THE INFORMATION CONTAINED IN THIS DRAWING IS THE SOLE PROPERTY OF SCHIER PRODUCTS. ANY REPRODUCTION OR TRANSMISSION OF THIS DRAWING WITHOUT THE WRITTEN PERMISSION OF SCHIER PRODUCTS IS PROHIBITED.

DWG BY: B. BROWN

DATE: 6/2/2022

REV: -

ECO: -



SCHIER

6455 Woodland Dr
Shawnee, KS 66218
Tel: 913-951-3300
Fax: 913-951-3399
schierproducts.com