

Quality People. Building Solutions.

Comfort Systems USA (Arkansas), Inc.
P.O. Box 16620
Little Rock, AR 72231
Phone 501-834-3320
Fax 501-834-5416

Date: 1/13/2025

Return Request: 1/23/2025

Project: HSU – Reynolds Hall Lap Renovation

Supplier: Sanders Supply

Manufacturer: Various

Submittal: Plumbing Fixtures

Submittal Number: 22 40 00-01

Drawing # and Installation: Plumbing Drawings

ARCHITECT

SCM Architects
1400 Kirk Road, Suite 220
Little Rock, AR 72223
501-224-3055

ENGINEER

Pettit & Pettit
201 E. Markham, Suite 400
Little Rock, AR 72201
501-374-3731

GENERAL CONTRACTOR

Nabholz
612 Garland St.
Conway, AR 72032
501-505-5800

MECHANICAL SUBCONTRACTOR

Comfort Systems USA (Arkansas), Inc.
9924 Landers Rd.
N. Little Rock, AR 72117
501-834-3320

Notes:

CSUSA PROJECT NO.

22-6091

sean@comfortar.com

9924 Landers Rd.
No. Little Rock, AR 72117

HSU Reynolds Hall Lab

Arkadelphia, AR

Comfort Systems USA

North Little Rock, AR

Plumbing Submittals

Sanders Supply



Hot Springs, AR

December 18, 2024

EWS-1



GBF1909 Barrier-Free Safety Station with WideArea™ Eye/Face Wash, Plastic Shower Head

GBF1909SSH Barrier-Free Safety Station with WideArea™ Eye/Face Wash, Stainless Steel Shower Head

Application: Barrier-Free combination WideArea™ eye/face wash and shower safety station. Shower head and pull rod are extended for improved access. Bowl is lowered and extended to permit access by wheelchair user. Profile of unit is “flattened” to comply with maximum height and knee clearance requirements.

ADA Compliance: Unit complies with ADA requirements for accessibility by handicapped persons (maximum height and reach, minimum knee clearance and distance from obstructions).

Shower Head: 10" diameter orange ABS plastic (GBF1909) or stainless steel (GBF1909SSH), with 20 GPM flow control.

Shower Valve: 1" IPS chrome plated brass stay-open ball valve. Valve is US-made with chrome plated brass ball and PTFE seals. Furnished with stainless steel actuating arm and 47-1/2" stainless steel pull rod.

Spray Head Assembly: Four GS-Plus™ spray heads. Each head has a “flip-top” dust cover, internal flow control and filter to remove impurities from water flow.

Eye/Face Wash Bowl: 11-1/8" diameter stainless steel.

Eye/Face Wash Valve: 1/2" IPS chrome plated brass stay-open ball valve. Valve is US-made with chrome plated brass ball and PTFE seals.

Pipe and Fittings: Schedule 40 galvanized steel. Furnished with orange polyethylene pipe covers for high visibility and corrosion resistance.

Supply: 1-1/4" NPT female top or side inlet.

Waste: 1-1/4" NPT female outlet. Outlet can be positioned at either 9-1/4" or 19-5/8" above finished floor by reversing lower pipe nipples.

Sign: ANSI-compliant identification sign.

Quality Assurance: Valve and spray head assemblies are factory assembled and water tested prior to shipment.

Available Options

G6040 Thermostatic mixing valve precisely blends hot and cold water to deliver tepid water as required by ANSI Z358.1-2014. Refer to “Thermostatic Mixing Valves” section for complete technical and product selection information.

GC Powder coated finish on galvanized pipe and fittings. Available colors include orange, yellow, red and green.

BC Stainless steel cover for eye/face wash bowl.

HS Auxiliary drench hose unit for rinsing eyes, face or body.

APBF250-015 Modesty curtain for mounting on Barrier-Free safety station.

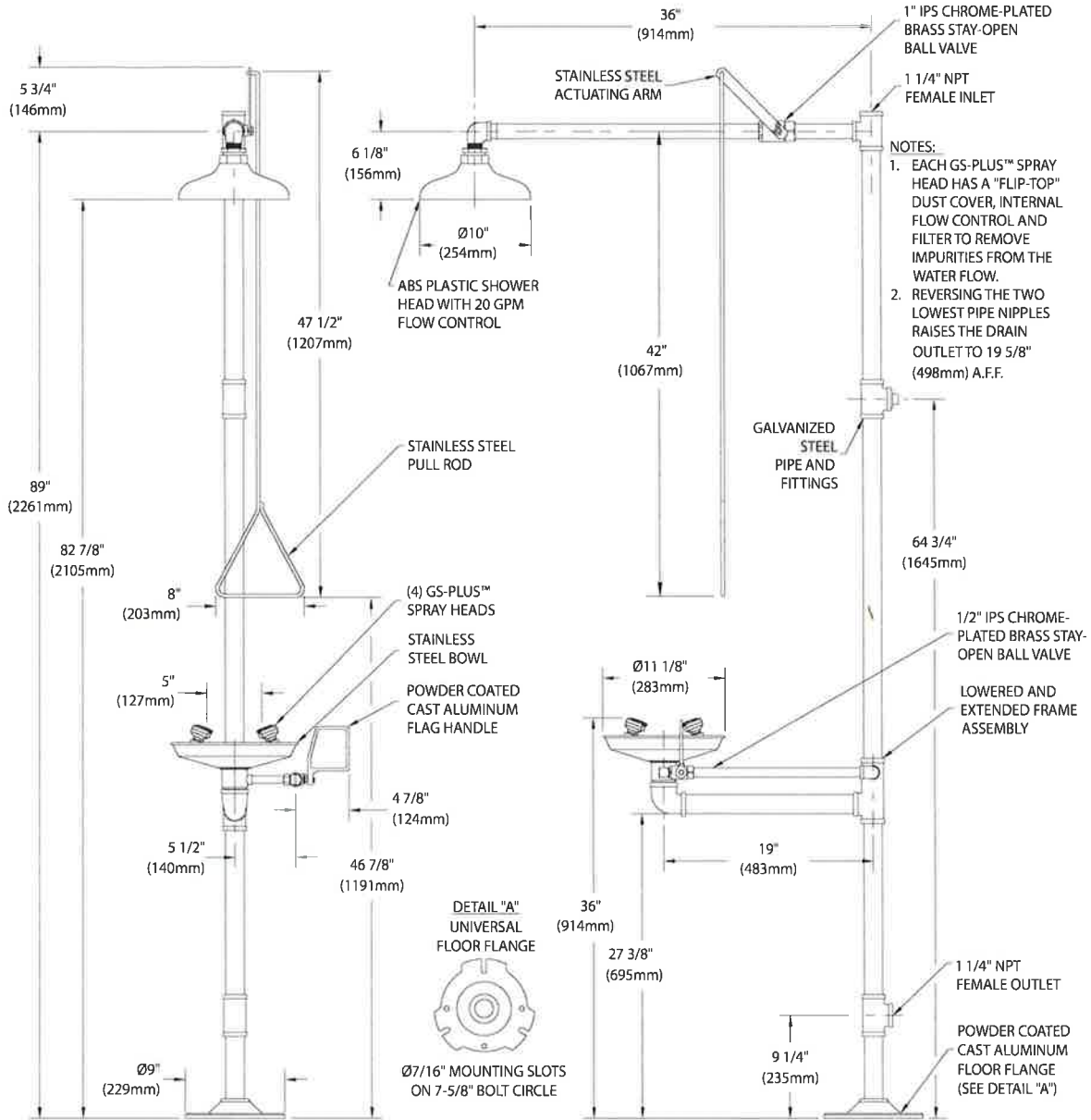
AP275-200 Electric flashing light and alarm horn unit for mounting on wall or vertical pipe. Light illuminates and horn sounds when eye/face wash or shower is activated. Furnished complete with flow switch and mounting hardware.





GBF1909 Barrier-Free Safety Station with WideArea™ Eye/Face Wash, Plastic Shower Head

GBF1909SSH Barrier-Free Safety Station with WideArea™ Eye/Face Wash, Stainless Steel Shower Head



Rev. 032318

THIS SPACE FOR ARCHITECT/ENGINEER APPROVAL

Sign Included



Due to continuing product improvement, the information contained in this document is subject to change without notice. All dimensions are ± 1/4" (6mm). rev. 040218

Guardian Equipment 312 447 8100 TELEPHONE
1140 N North Branch St 312 447 8101 FACSIMILE
Chicago, IL 60642 gesafety.com



Listed 8116 Units have been tested to and comply with ANSI Z358.1-2014 and the Uniform Plumbing Code



EMERGENCY MIXING VALVES

Emergency Mixing Valve for Drench or Combination Units

EXL-800-LF

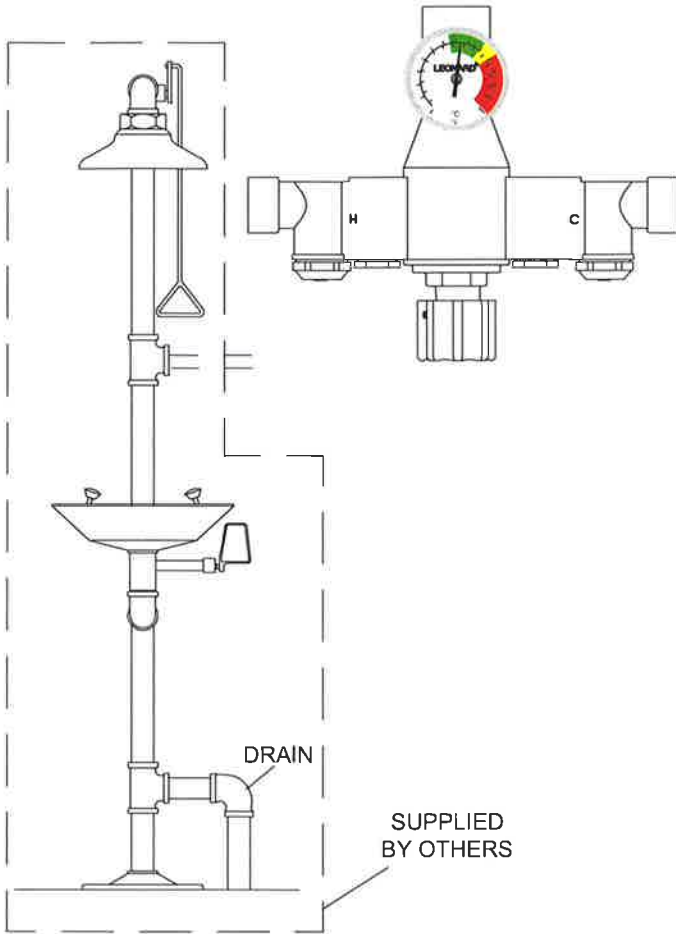
- High Performance Emergency Mixing Valve designed for drench shower / eye / face wash applications
- Thermostatic Mixing Valve can be set to the correct temperature for the application
- Mixing valve will close down on failure of cold water supply
- Mixing valve with special internal cold water bypass capable of a minimum of 20 GPM (75.7 l/min) @ 30 PSI (2.1 Bar) upon failure of hot water supply
- Adjustable high temperature limit stop * set for 90°F (32°C)
- Locking temperature regulator to prevent accidental movement
- Integral Checkstops on inlets
- Threaded 1" female NPT side inlets
- Threaded 1-1/4" female NPT top outlet
- Rough bronze finish
- Dial thermometer (range 0 to 140°F, -18 to 60°C)
- Compliance.....ANSI Z358.1
- Maximum supply temperature 180 °F (82°C)
- Maximum supply pressure 125 PSI (8.6 Bar)

OPTIONS:

- ___ CP- Chrome plated finish
- ___ IT- Inlet thermometers

CABINET OPTIONS, SEE PAGE 3:

- ___ SUFFIX BWE REC- Steel, baked white enamel recessed
- ___ SUFFIX STSTL REC- Stainless Steel recessed cabinet
- ___ SUFFIX BWE EXP- Steel, baked white enamel exposed
- ___ SUFFIX STSTL EXP- Stainless Steel exposed cabinet
- ___ SUFFIX IT- Inlet thermometers on outside of exposed cabinets only and shipped loose



This product is certified to meet Low Lead requirements of wetted surface area containing less than 0.25% lead by weight



WARNING: This product can expose you to chemicals including lead, which is known to the State of California to cause cancer. For more information, go to

Engineer's Approval

Job # _____

Arch/Eng. _____

Contractor _____

CAUTION! All thermostatic water mixing valves have limitations. They will NOT provide the desired accuracy outside of their flow capacity range. Consult the Flow Capacity Chart and DO NOT OVERSIZE. Minimum flow must be no less than as indicated.

*NOTE: A limit stop, set for 90°F (32°C), is simply a mechanical setting to prevent excessive handle rotation. If incoming water is hotter than 135°F (57°C), the temperature of the factory test, the valve when turned to full HOT may deliver water in excess of 90°F and the limit stop MUST BE RESET BY THE INSTALLER

ASSE 1071 Certified



CSA Certified



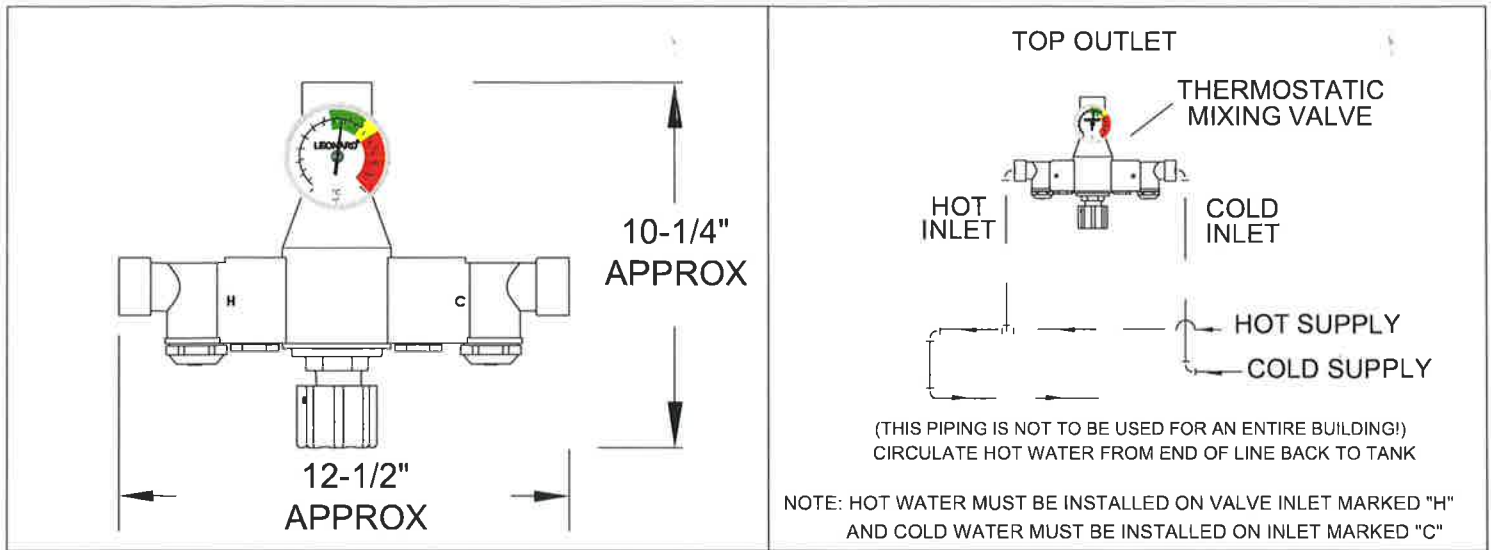
1360 Elmwood Avenue, Cranston, RI 02910 USA

Phone: 401.461.1200 Fax: 401.941.5310

Email:

Web Site: <http://www.leonardvalve.com>

EXL-800-LF EMERGENCY WATER MIXING VALVE



CAUTION! It may be necessary to recirculate the tempered water to the drench / eye/face wash should the piping be exposed to excessive hot or cold conditions. Consult factory for proper piping.

FLOW CAPACITIES

MODEL	IN	OUT	MINIMUM FLOW (GPM) L/MIN	INTERNAL COLD WATER BY-PASS AT 30 PSI DROP	PRESSURE DROP									PSI BAR
					5	10	15	20	25	30	35	40	45	
EXL-800-LF	1"	1-1/4"	3	20	21	29	35	41	46	51	56	59	61	GPM
			11.4	75.7	79	110	132	155	174	193	212	223	231	L/MIN
MAXIMUM FLOW CAPACITY														

The Emergency drench / eye/face wash Mixing Valve shall control and maintain the temperature of the water to the station. Unit shall be self contained and include a thermostatic water mixing valve, a dial thermometer on the outlet, checkstops, unit set for 85°F (29°C) and a maximum temperature of 90°F (32°C). Unit must be able to be set to the correct temperature for the specific contaminant but must be locked in place to prevent changing of the temperature by accident. Unit must be checked weekly for performance in conjunction with the requirements of ANSI Z358.1.

WARNING! IT IS THE RESPONSIBILITY OF THE SPECIFIER TO DETERMINE THE DELIVERED WATER TEMPERATURE TO EACH SAFETY FIXTURE. A COMFORTABLE RANGE IS 60°F TO 90°F (15° TO 32°C). IN CIRCUMSTANCES WHERE A CHEMICAL REACTION IS ACCELERATED BY WATER TEMPERATURE, A MEDICAL ADVISOR SHOULD BE CONSULTED FOR THE OPTIMUM TEMPERATURE FOR EACH APPLICATION.

Specifications are subject to change without notice!

CAUTION! All thermostatic water mixing valves have limitations. They will NOT provide the desired accuracy outside of their flow capacity range. Consult the Flow Capacity Chart and DO NOT OVERSIZE. Minimum flow must be no less than indicated.



1360 Elmwood Avenue, Cranston, RI 02910 USA

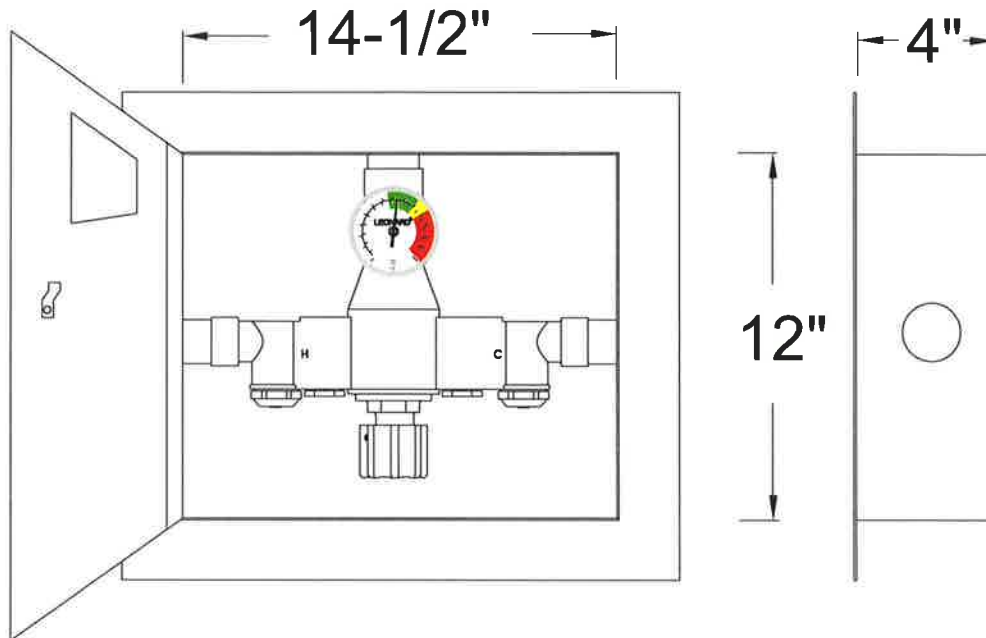
Phone: 401.461.1200 Fax: 401.941.5310

Email:

Web Site: <http://www.leonardvalve.com>

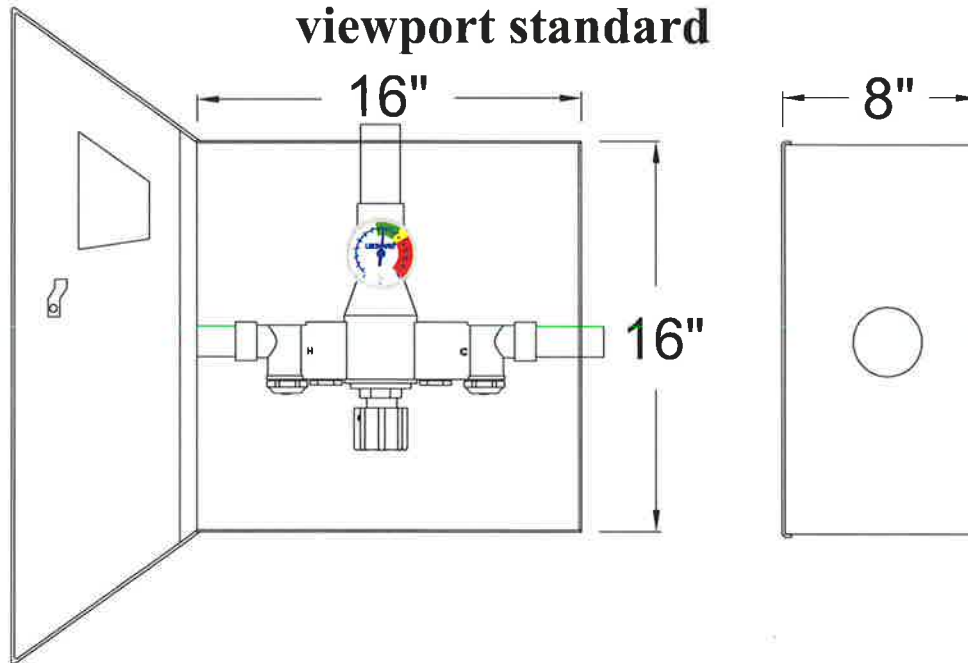
EXL-800-LF-REC

Designed to fit in a 2 X 4 wall
viewport standard



EXL-800-LF-EXP

viewport standard



**NOTE: RECESSED AND EXPOSED CABINETS ARE
DIFFERENT SIZES**



Note: Leonard Valve Company reserves the right of product, or design modifications without notice or obligation.

© 2024 Leonard Valve Company
Printed in USA

1360 Elmwood Avenue, Cranston, RI 02910 USA
Phone: 401.461.1200 Fax: 401.941.5310
Email:
Web Site: <http://www.leonardvalve.com>

LT-1



T&S BRASS AND BRONZE WORKS, INC.

2 Saddleback Cove / P.O. Box 1088
Travelers Rest, SC 29690

Model No.

BL-4203 SERIES

Item No.

Travelers Rest, SC: 800-476-4103 • Simi Valley, CA: 800-423-0150 • Fax: 864-834-3518 • www.tsbrass.com

BL-4203-0	Turret w/ (2) Hose Cocks @ 90°
BL-4203-01	Turret w/ (1) Hose Cock
BL-4203-02	Turret w/ (2) Hose Cocks @ 180°
BL-4203-03	Turret w/ (3) Hose Cocks @ 90°
BL-4203-04	Turret w/ (4) Hose Cocks @ 90°



ADA Compliant

This Space for Architect/Engineer Approval

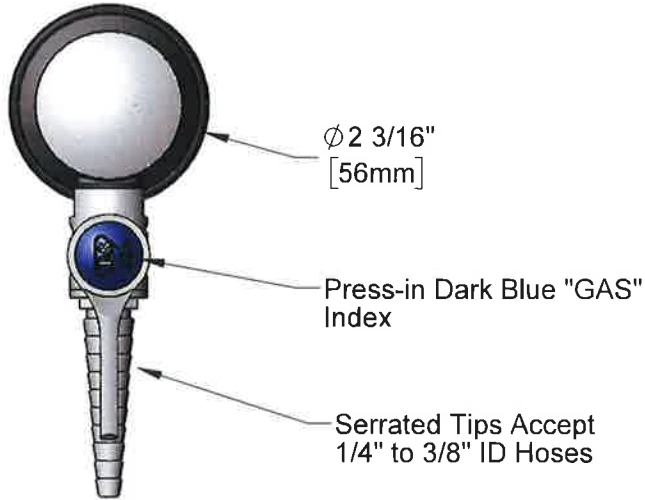
Job Name _____ Date _____

Model Specified _____ Quantity _____

Customer/Wholesaler _____

Contractor _____

Architect/Engineer _____



Notes:

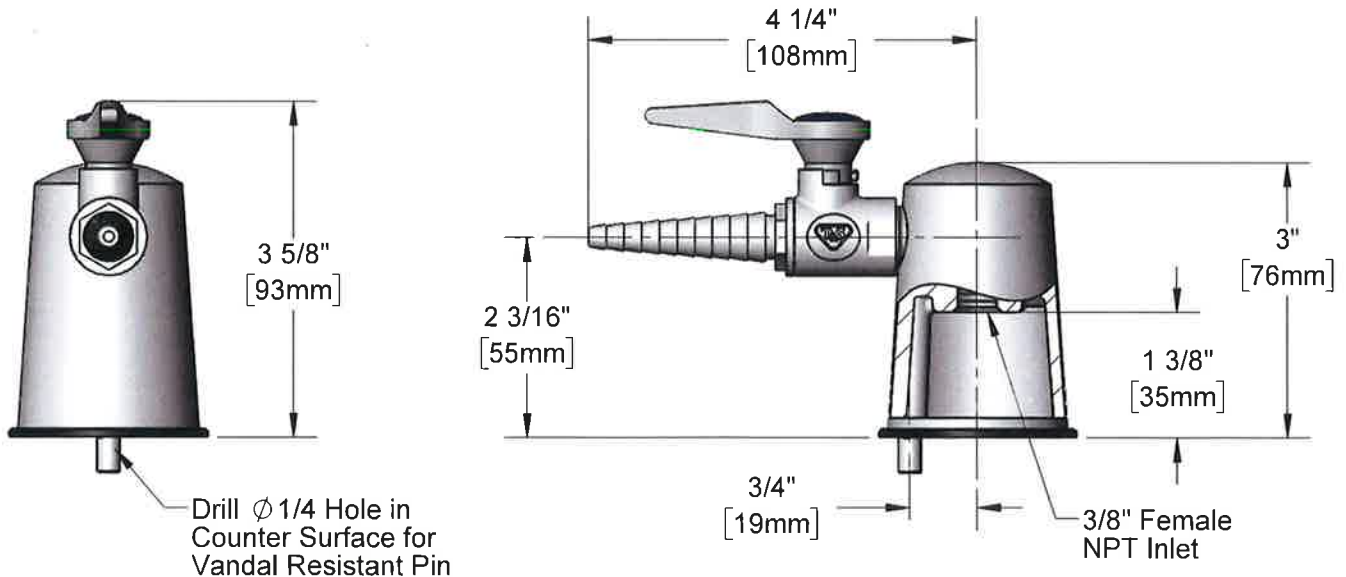
1. Natural Gas Pressure: 0.5 PSIG Max. (For Natural Gas above 0.5 PSIG or Oxygen and Specialty Gases, use BL-4010-01 Gas Cock.)
2. Air Pressure: 125 PSIG Max.
3. Vacuum: 30 inches of Mercury Max.
4. Certified to ANSI Z21.15a / CSA 9.1a



209L-VAC-NS
Index(es)
(Included)



209L-AIR-NS
Index(es)
(Included)



Product Specifications:
Vandal Resistant Laboratory Turret w/ Serrated Hose Cock(s)

Product Compliance:
ANSI Z21.15a / CSA 9.1a (Gas Valves)
ANSI A117.1 (ADA)



T&S BRASS AND BRONZE WORKS, INC.

2 Saddleback Cove / P.O. Box 1088
Travelers Rest, SC 29690

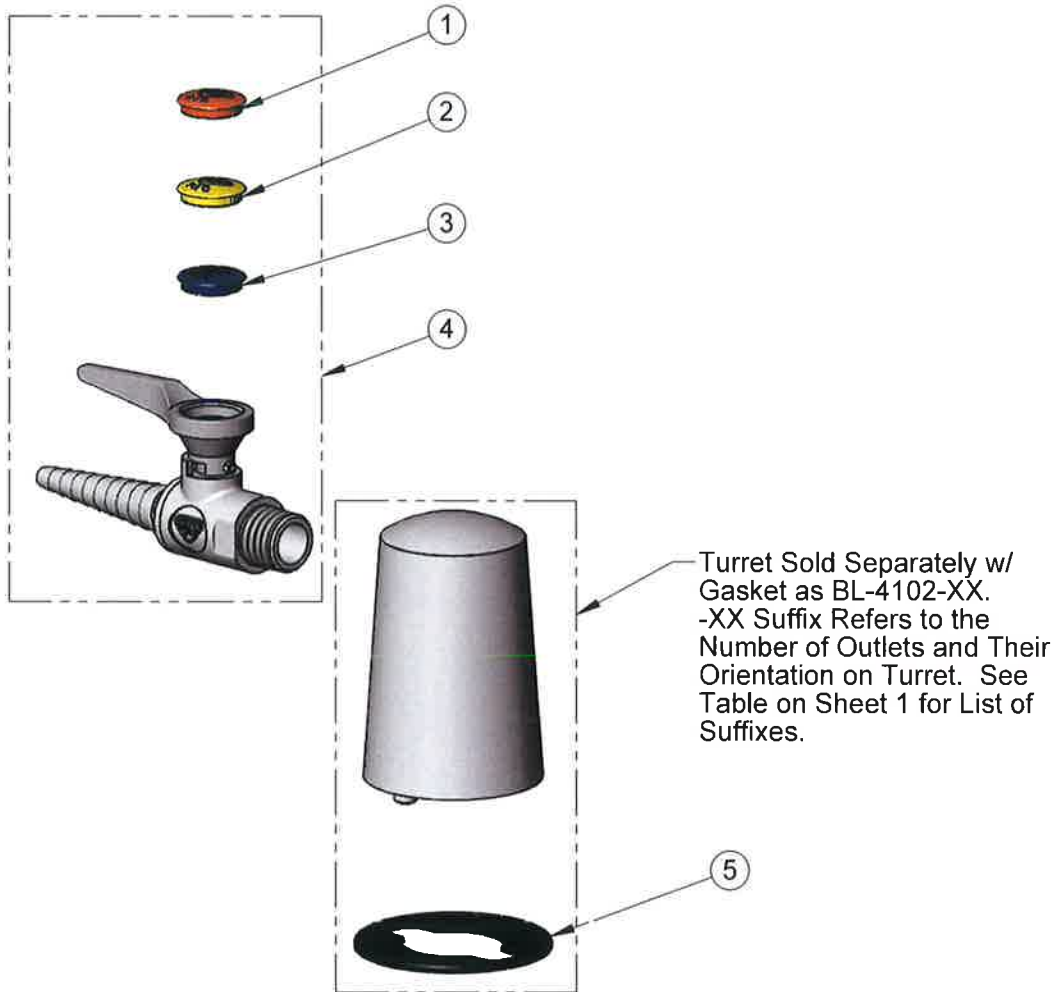
Model No.

BL-4203 SERIES

Item No.

Travelers Rest, SC: 800-476-4103 • Simi Valley, CA: 800-423-0150 • Fax: 864-834-3518 • www.tsbrass.com

ITEM NO.	SALES NO.	DESCRIPTION
1	209L-AIR-NS	Orange "AIR" Lab Button Index
2	209L-VAC-NS	Yellow "VAC" Lab Button Index
3	209L-GAS-NS	Dark Blue "GAS" Lab Button Index
4	BL-4000-01	Ball Valve Hose Cock w/ GAS, AIR & VAC Indexes
5	144L	Black Plastic Gasket



Product Specifications:
Vandal Resistant Laboratory Turret w/ Serrated Hose Cock(s)

Product Compliance:
ANSI Z21.15a / CSA 9.1a (Gas Valves)
ANSI A117.1 (ADA)

S-1, S-2



T&S BRASS AND BRONZE WORKS, INC.

2 Saddleback Cove / P.O. Box 1088
Travelers Rest, SC 29690

Model No.

BL-5700-09

Item No.

Travelers Rest, SC: 800-476-4103 • Simi Valley, CA: 800-423-0150 • Fax: 864-834-3518 • www.tsbrass.com



ADA Compliant

This Space for Architect/Engineer Approval

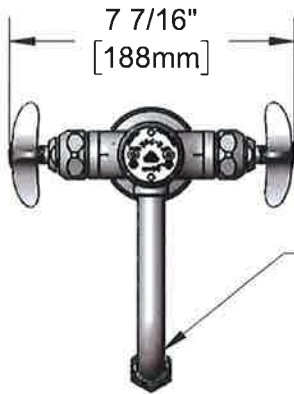
Job Name _____ Date _____

Model Specified _____ Quantity _____

Customer/Wholesaler _____

Contractor _____

Architect/Engineer _____



BL-5560-02
Swivel Nozzle w Vacuum
Breaker & Serrated Tip Outlet
w/ 0.5 GPM Flow Control.
Converts to Rigid w/
014200-45 Lock Washer
(Included)

B-0968
3/8" NPT
Vacuum Breaker

Quarter-Turn Eterna
Cartridges w/ Spring
Checks & 4-Arm
Handles w/ Color
Coded Indexes

2 3/8"
[60mm]

Mounting
Surface

Ø 2 7/16" [62mm]
Deck Gasket

18" Flexible
Stainless Steel
Supply Hoses

Compression Fittings
for 5/8" O.D. Copper Tubing
(Remove Compression Nut
for 1/2" NPSM Male)

12 3/8"
[314mm]

6 3/16"
[157mm]

5 5/8"
[143mm]

Ø 1 1/8"
[29mm]

1 5/16"
[34mm]
Maximum
Thickness



Rough-In Requirement:
Ø 1 1/2" [38mm] Mounting Hole

Product Specifications:

Single Hole Deck Mount Mixing Faucet, Quarter-Turn Eterna Cartridges w/ Spring Checks, 4-Arm Handles, 3/8" NPT Vacuum Breaker Swivel Nozzle, Serrated Tip w/ 0.5 GPM Flow Control & 18" Flexible Stainless Steel Supply Hoses w/ 1/2" NPSM Male Inlets

Product Compliance:

ASME A112.18.1 / CSA B125.1
NSF 61 - Section 9
NSF 372 (Low Lead Content)
ANSI A117.1 (ADA)
ASSE 1001 (VB)



T&S BRASS AND BRONZE WORKS, INC.

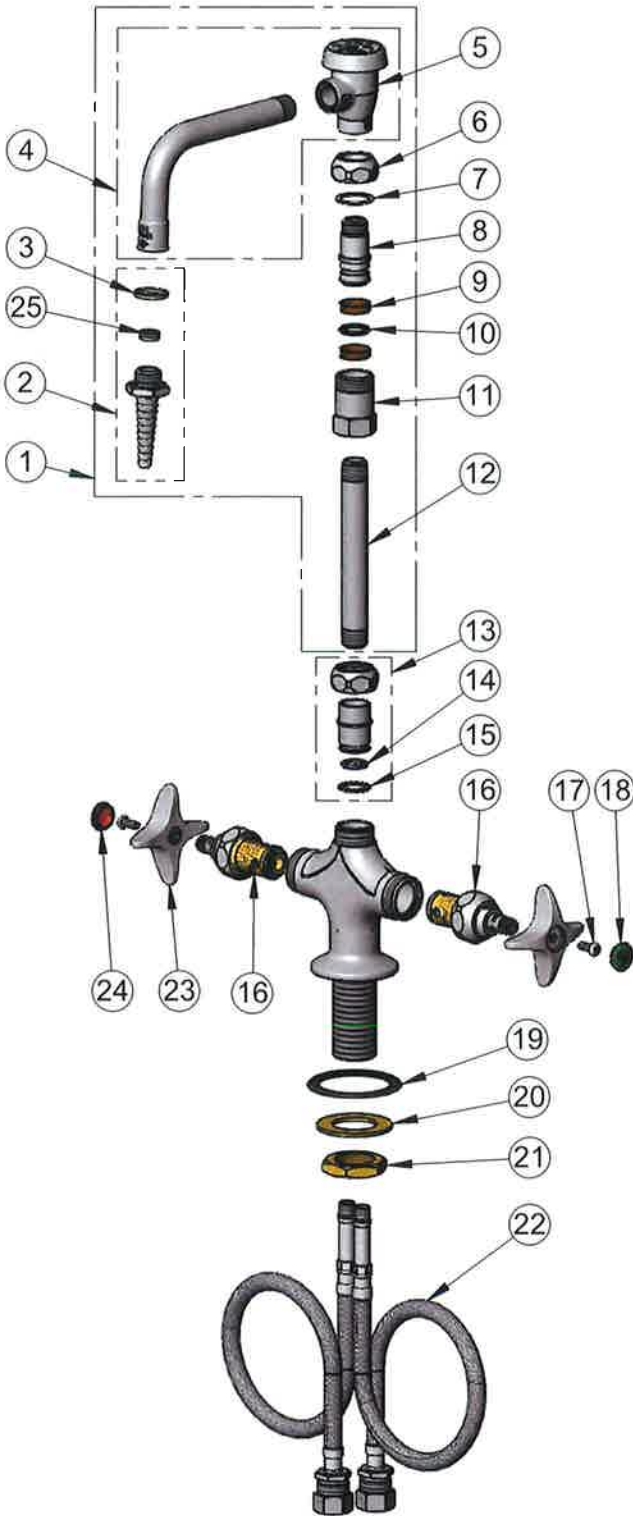
2 Saddleback Cove / P.O. Box 1088
Travelers Rest, SC 29690

Model No.

BL-5700-09

Item No.

Travelers Rest, SC: 800-476-4103 • Simi Valley, CA: 800-423-0150 • Fax: 864-834-3518 • www.tsbrass.com



ITEM NO.	SALES NO.	DESCRIPTION
1	BL-5560-02	Swivel Nozzle w/ Vacuum Breaker & Serrated Tip w/ 0.5 GPM Flow Disc
2	B-0198-FD05	Serrated Tip w/ 0.5 GPM Flow Disc & Washer
3	001051-45	Washer
4	007283-40	Nozzle w/ Vacuum Breaker
5	B-0968	3/8" NPT Vacuum Breaker
6	000711-40	Swivel Adapter Nut
7	009538-45	Swivel Washer
8	000843-25	Swivel Body
9	011429-45	Swivel Sleeves (2)
10	001074-45	O-Ring
11	054X	Swivel Body
12	000361-40	Nipple, 3/8" NPT x 5"
13	EZ-K	EasyInstall Kit
14	001065-45	O-ring
15	014200-45	Star Washer, Anti-Rotation
16	012443-40NS	Quarter-Turn Eterna Cartridge w/ Spring Check, RTC
17	000925-45	Lab Handle Screw
18	001191-45NS	Green "CW" Lab Button Index
19	145L	Black Plastic Gasket
20	002290-45	Lock Washer
21	000965-45	Lock Nut
22	012534-45	18" Flexible Supply Hose (2)
23	002521-45NS	4-Arm Handle (New Style)
24	001194-45NS	Red "HW" Lab Button Index
25	FD05	Flow Disc, 0.5 GPM [1.9 L/min.] (Lime)

Product Specifications:

Single Hole Deck Mount Mixing Faucet, Quarter-Turn Eterna Cartridges w/ Spring Checks, 4-Arm Handles, 3/8" NPT Vacuum Breaker Swivel Nozzle, Serrated Tip w/ 0.5 GPM Flow Control & 18" Flexible Stainless Steel Supply Hoses w/ 1/2" NPSM Male Inlets

Product Compliance:

ASME A112.18.1 / CSA B125.1
NSF 61 - Section 9
NSF 372 (Low Lead Content)
ANSI A117.1 (ADA)
ASSE 1001 (VB)



McGuire Manufacturing Co., Inc.

60 Grandview Court
 P.O. Box 746 • Cheshire, CT 06410
 203-699-1801 • Fax: 203-699-1813
 www.mcguiremfg.com

Part No.

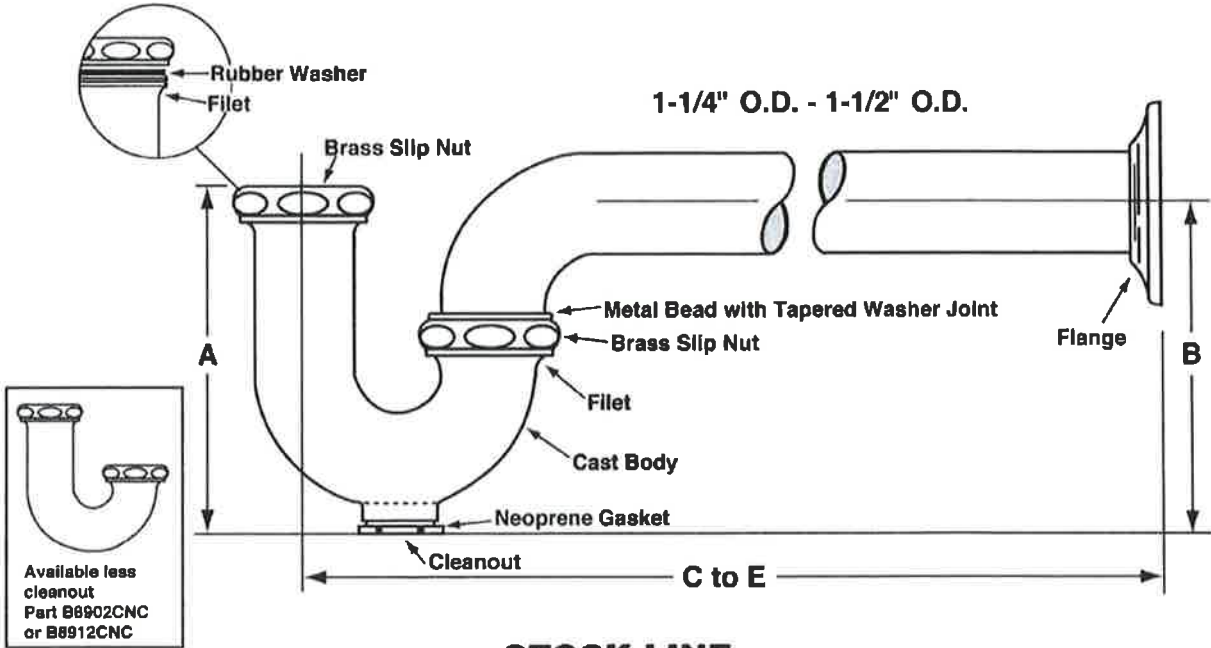
B8872, B8902, B8902CNC,
B8912, B8912CNC,
 C8872, C8902, C8912

PRODUCT SPECIFICATION

**Cast Body P-Trap
 With or Without Cleanout**

Job Name:

Submittal Number:



STOCK LINE

ROUGHING MEASUREMENTS					
NO.	TRAP DIMENSIONS		A	B	C to E
	INLET	OUTLET			
B8872	1-1/4"	1-1/4"	5"	4-1/2"	10"
C8872	1-1/4"	1-1/4"	5"	4-1/2"	10"
B8902	1-1/4"	1-1/2"	5"	4-1/2"	10-1/2"
B8902CNC	1-1/4"	1-1/2"	4-5/8"	4-1/8"	10-1/2"
C8902	1-1/4"	1-1/2"	5"	4-1/2"	10-1/2"
B8912	1-1/2"	1-1/2"	5"	4-1/2"	10-1/2"
B8912CNC	1-1/2"	1-1/2"	4-5/8"	4-1/8"	10-1/2"
C8912	1-1/2"	1-1/2"	5"	4-1/2"	10-1/2"

**FED SPEC W.W.P. 541
 CAST BRASS P TRAP
 MINIMUM SEAL 2"**

Note: Prefix "C" indicates die cast slip nuts.

See options and accessories section for details on product variations.

Specifications:

P-Trap shall be chrome plated cast brass body (with, without) cleanout, with 17 gauge seamless tubular wall bend, slip nuts. Reducing washers shall be used with reducing cast brass nut. With (shallow, deep, bell) (steel, brass) or (forged brass with set screw) flange. P-Trap shall bear manufacturer and testing mark.



McGuire Manufacturing Co., Inc.

60 Grandview Court
P.O. Box 746 • Cheshire, CT 06410
203-699-1801 • Fax: 203-699-1813
www.mcguiremfg.com

PRODUCT SPECIFICATION

Part No.

**Options for
P-Traps**

Job Name:

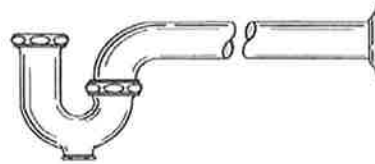
Submittal Number:

CAST BODY P-TRAP OPTIONS

WALL BEND OPTIONS-

Add suffix to part number.

- 15** - 15" C to E (1-1/4" and 1-1/2" only)
- 18** - 18" C to E (1-1/4" and 1-1/2" only)
- GJ** - Ground joint wallbend
Custom sizes available.



FLANGE OPTIONS-

Add suffix to part number.

- F** - Forged Brass, set screw, chrome plated
- ~~**BF** - Deep Flange, (bell type) chrome plated brass~~
- ~~**SDF** - Deep Flange, (bell type) chrome plated steel~~
- B** - Box Flange, chrome plated wrought steel
- BF** - Box Flange, chrome plated brass

STANDARD FINISH OPTIONS-

Add suffix to part number.

- C** - Polished Chrome
- ~~**S** - Satin Chrome~~
Custom finishes available.

Options available for McGuire "Classic" Professional Line only.



McGuire Manufacturing Co., Inc.

60 Grandview Court
 P.O. Box 746 • Cheshire, CT 06410
 203-699-1801 • Fax: 203-699-1813
 www.mcguiremfg.com

PRODUCT SPECIFICATION

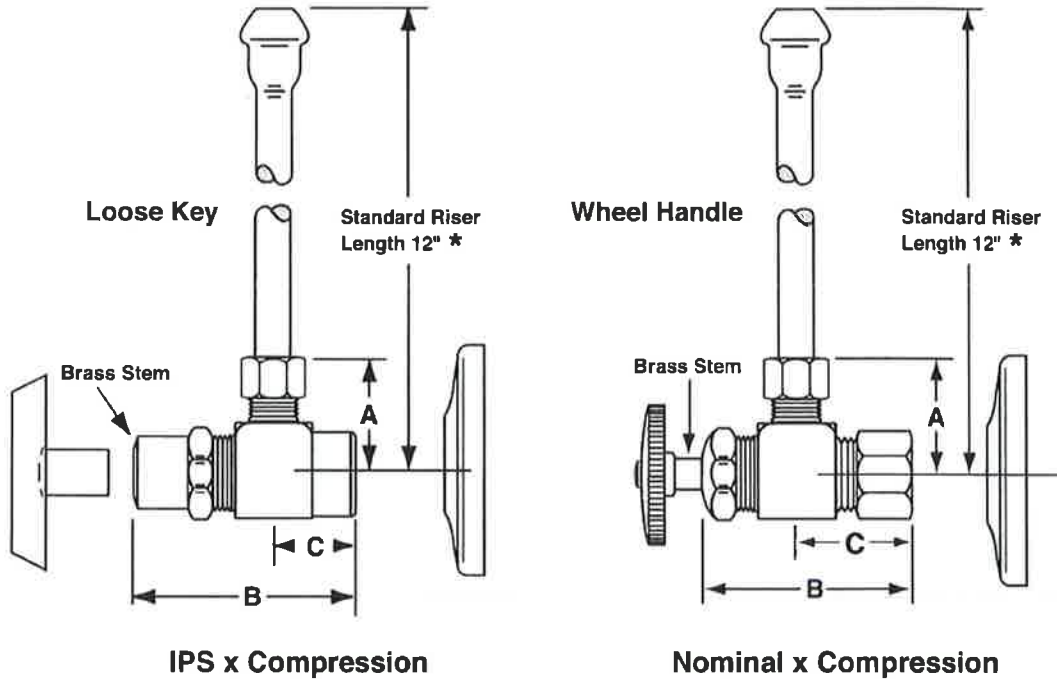
Part No.

LFH2165, **LFH2165LK**
 LFH2167, LFH2167LK,
 LFH2165CC, LFH2165CCLK

**AB1953 Compliant
 Heavy Lavatory Supply**

Job Name: _____

Submittal Number: _____



NO.	DESCRIPTION	ROUGHING MEASUREMENTS		
		A	B	C
LFH2165	1/2" IPS x 3/8" OD, Wheel Handle	1-3/8"	1-15/16"	1"
LFH2165LK	1/2" IPS x 3/8" OD, Loose Key	1-3/8"	2-5/8"	1"
LFH2167	1/2" IPS x 1/2" OD, Wheel Handle	1-3/8"	1-15/16"	1"
LFH2167LK	1/2" IPS x 1/2" OD, Loose Key	1-3/8"	2-5/8"	1"
LFH2165CC	1/2" Nominal x 3/8" OD, Wheel Handle	1-3/8"	2-1/4"	1-3/8"
LFH2165CCLK	1/2" Nominal x 3/8" OD, Loose Key	1-3/8"	2-15/16"	1-3/8"

LK designates *Loose Key*

* See options and accessories section for details on product variations.



Specifications:

Supply kit shall include heavy pattern chrome plated AB1953 compliant supply stop valves with full turn brass stem, no plastic, (12, 15, 20) inch chrome plated risers and (shallow, deep, bell) (steel, brass) or (forged brass with set screw) flange. Inlet shall be 1/2 inch (IPS, compression). Outlet shall be (3/8, 1/2) inch compression. Supply kit shall be McGuire _____.

Supply shall be AB1953 certified by recognized authority and bear manufacturer and testing mark.



McGuire Manufacturing Co., Inc.

60 Grandview Court
 Cheshire, Connecticut 06410
 (203) 699-1801 Fax (203) 699-1813
 customerservice@mcguiremfg.com mcguiremfg.com

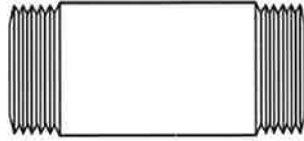
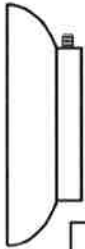
PRODUCT SPECIFICATION

Part No.

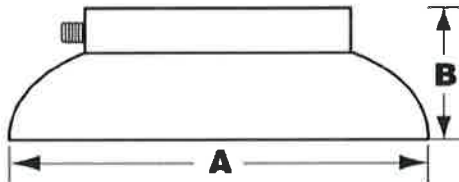
All Cast Brass Nipples and Set Screw Flanges

Job Name:

Submittal Number:



NO.	SIZE
1127	1-1/4" x 6"
2127	1-1/2" x 6"
3127	2" x 6"



NO.	SIZE	A	B
127038	3/8" I.P.S.	2.39"	.73"
127050	1/2" I.P.S.	2.25"	.7"
127058	5/8" O.D. (1/2" Copper)	2.39"	.73"
127069	11/16" O.D.	2.39"	.73"
127075	3/4" I.P.S.	2.25"	.7"
127078	7/8" O.D. (3/4" Copper)	2.25"	.7"
127100	1" I.P.S.	2.75"	.9"
1271251	1-1/4" I.P.S.	2.765"	.95"
1271250	1-1/4" O.D.	2.95"	1"
1271501	1-1/2" I.P.S.	2.95"	.9"
1271500	1-1/2" O.D.	2.95"	1"
1271580	1-5/8" O.D. (1-1/2" Copper)	2.8"	.9"
1271720	1-23/32" O.D.	Discontinued	
1272001	2" I.P.S.	3.675"	.9"
1272000	2" O.D.	3.3"	.95"



NO.	SIZE
N038015	3/8" x 1-1/2"
N038020	3/8" x 2"
N038030	3/8" x 3"
N038035	3/8" x 3-1/2"
N038040	3/8" x 4"
N038045	3/8" x 4-1/2"
N038050	3/8" x 5"
N038055	3/8" x 5-1/2"
N038060	3/8" x 6"
N038065	3/8" x 6-1/2"
N038100	3/8" x 10"
N038120	3/8" x 12"
N038150	3/8" x 15"
N038200	3/8" x 20"
N038240	3/8" x 24"
N050030	1/2" x 3"
N050040	1/2" x 4"
N050050	1/2" x 5"
N050055	1/2" x 5-1/2"
N050060	1/2" x 6"
N050080	1/2" x 8"
N125060	1-1/4" x 6"
N150060	1-1/2" x 6"
N200060	2" x 6"

Specifications:

All Cast Brass Nipples and Set Screw Flanges for use with P-Traps, supplies and shower arms. Highly polished and heavy chrome plated.



WARNING:

This product can expose you to chemicals including lead, which is known to the State of California to cause cancer, and birth defects or other reproductive harm. For more information go to www.P65Warnings.ca.gov

FD-1

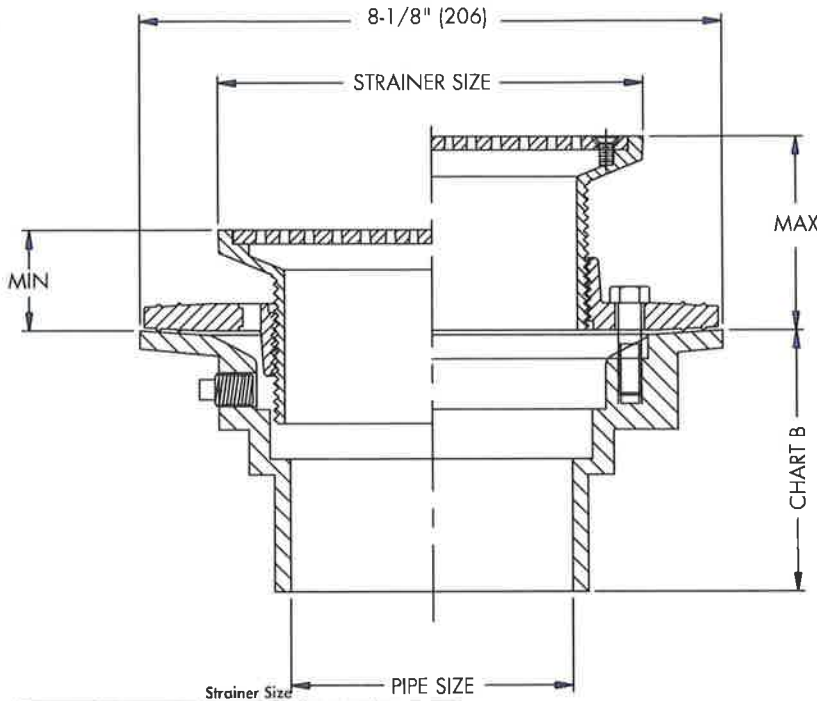


FD-100-A

Tag: FD-1

Floor Drain with Round Strainer

SPECIFICATION: Watts Drainage FD-100-A epoxy coated cast iron floor drain with anchor flange, reversible clamping collar with primary & secondary weepholes, adjustable round nickel bronze strainer, and no hub (standard) outlet.



Str. Dia.	Min.	Max.	Load Rating	Free Area Sq. In.
5" (127)	13/16" (21)	3-1/4" (83)	*MD	8
6" (152)	7/8" (22)	3-3/8" (86)	*MD	9
7" (178)	11/16" (17)	3-1/4" (83)	*MD	12
8" (203)	7/8" (22)	3-1/4" (83)	*MD	18
10" (254)	1-1/4" (32)	3-1/4" (83)	*HD	28

* The load classifications are in accordance with the American National Standards ASME A112.21.1M ASME Ratings are as follows:
 MD - Safe Live Load 2000-4999 lbs. (900-2250kg)
 HD - Safe Live Load 5000-7499 lbs. (2250-3375kg)
 The above categories are given as a guide only. Please consult factory.

Chart B

	Std.	P	T	X	60/61
Pipe Size	No Hub	Push On	Female Thread	Inside Caulk	PVC/ABS
2" (51)	3-5/8" (92)	4-1/4" (108)	4-1/4" (108)	4-1/2" (114)	4" (102)
3" (76)	3-5/8" (92)	4-1/4" (108)	4-1/4" (108)	4-1/2" (114)	4" (102)
4" (102)	3-5/8" (92)	4-1/4" (108)	4-1/4" (108)	4-1/2" (114)	4" (102)
6" (152)	3-1/2" (89)				

Components

Pipe Sizing (Select One)

Suffix	Description	
2	2" (51) Pipe Size	<input type="checkbox"/>
3	3" (76) Pipe Size	<input type="checkbox"/>
4	4" (102) Pipe Size	<input type="checkbox"/>
6	6" (152) No Hub Only	<input type="checkbox"/>

Outlet Type (Select One)

Suffix	Description	
NH	NO HUB (WJ)	<input type="checkbox"/>
P	Push On	<input checked="" type="checkbox"/>
T	Threaded Outlet	<input type="checkbox"/>
X	Inside Caulk	<input type="checkbox"/>

Strainer (Select One)

Suffix	Description	
A5	5" (127) Diameter, Nickel Bronze	<input checked="" type="checkbox"/>
A6	6" (152) Diameter, Nickel Bronze	<input type="checkbox"/>
A7	7" (178) Diameter, Nickel Bronze	<input type="checkbox"/>
A8	8" (203) Diameter, Nickel Bronze	<input type="checkbox"/>
A10	10" (254) Diameter, Nickel Bronze	<input type="checkbox"/>

Options (Select One or More)

Suffix	Description	
-5	Sediment Bucket	<input type="checkbox"/>
-6	Vandal Proof	<input checked="" type="checkbox"/>
-7	Trap Primer Tapping	<input checked="" type="checkbox"/>
-8	Backwater Valve (2, 3, 4 Only)	<input type="checkbox"/>
-13	Galvanized Body	<input type="checkbox"/>
-15	Strainer Extension (DD-50)	<input type="checkbox"/>
-F4-50	4" Round Cast Iron Funnel	<input type="checkbox"/>
-F4-1	4" Round Nickel Bronze Funnel	<input type="checkbox"/>
-F6-1	6" Round Nickel Bronze Funnel	<input type="checkbox"/>
-G-50	4x9" Oval Cast Iron Funnel	<input type="checkbox"/>
-G-1	4x9" Oval Nickel Bronze Funnel	<input type="checkbox"/>
-SO	Side Outlet	<input type="checkbox"/>

Optional Body Material

Suffix	Description	
-60	PVC Body w/Socket Outlet	<input type="checkbox"/>
-61	ABS Body w/Socket Outlet	<input type="checkbox"/>

Job Name Reynolds Hall Lab Contractor Comfort Systems USA
 Job Location Arkadelphia Contractor's P.O. No. _____
 Engineer Pettit and Pettit Representative Sanders Supply

WATTS Drainage reserves the right to modify or change product design or construction without prior notice and without incurring any obligation to make similar changes and modifications to products previously or subsequently sold. See your WATTS Drainage representative for any clarification. Dimensions are subject to manufacturing tolerances.



Specification Drainage Products USA: 100 Watts Road, Spindale, NC, 28160-2298; TEL: 828-288-2179 TOLL-FREE: 1-800-338-2581 www.watts.com