

**GOODWILL RETAIL CENTER
LITTLE ROCK
PLUMBING SUBMITTAL**

**COMFORT SYSTEMS
LITTLE ROCK WINNELSON**

L-1

0355.012 WALL HUNG LAV
ZURN OFFSET GRID DRAIN
MOEN 8886 METERING FAUCET
103W TRAP WRAP
Z8700 ZURN PTRAP
COMPRESSION STOPS
SS NO BURST SUPPLIES
170LF MIXING VALVE
Z1231 LAV CARRIER



LUCERNE™ WALL-HUNG LAVATORY

- Wall-hung sink
- Vitreous china
- Front overflow
- D-shaped bowl
- Self-draining deck area with contoured back and side splash shields
- Faucet ledge
- Compliant with Texas accessibility standard (TAS) for children age group 13 and up

Faucet holes on 203mm (8") centers (Illus.):

- 0356.028** For exposed bracket support
 Shown with 4801.862 Amaris Heritage faucet with Triune Cross handles (not included)
- 0356.015** For wall hanger (included) or concealed arms support
- 0356.915** For wall hanger (included) or concealed arms support
 - Less overflow



0356.028

Faucet holes on 102mm (4") centers:

- 0355.027** For exposed bracket support
- 0355.012** For wall hanger (included) or concealed arms support
- 0355.912** For wall hanger (included) or concealed arms support
 - Less overflow



0356.041

Single center faucet hole (Illus.):

- 0356.041** For exposed bracket support
 Shown with 1340.000 metering faucet (not included)
- 0356.421** For wall hanger (included) or concealed arms support
- 0356.921** For wall hanger (included) or concealed arms support
 - Less overflow
- 0356.439** For wall hanger (included) or concealed arms support
 - Single faucet hole on right
- 0356.066** For exposed bracket support
 - Single faucet hole on right

Nominal Dimensions:

521 x 464mm
 (20-1/2" x 18-1/4")

Bowl sizes:

381mm (15") wide
 254mm (10") front to back
 165mm (6-1/2") deep

Compliance Certifications -

Meets or Exceeds the Following Specifications:

- ASME A112.19.2 / CSA B45.1 for Vitreous China Fixtures

SEE FOLLOWING PAGES FOR ROUGHING-IN DIMENSIONS

To Be Specified:

- Color: White
- Faucet*:
- Faucet Finish:
- Supplies:
- 1-1/4" Trap:
- Nipple:
- Bracket Support (by others):
- Concealed Arms Support (by others):

* See faucet section for additional models available



MEETS THE AMERICANS WITH DISABILITIES ACT GUIDELINES AND ANSI A117.1 ACCESSIBLE AND USABLE BUILDINGS AND FACILITIES - CHECK LOCAL CODES.
 Top of front rim mounted 864mm (34") from finished floor.

 BARRIER FREE

0356.028 8" CTRS FOR EXPOSED BRACKET SUPPORT

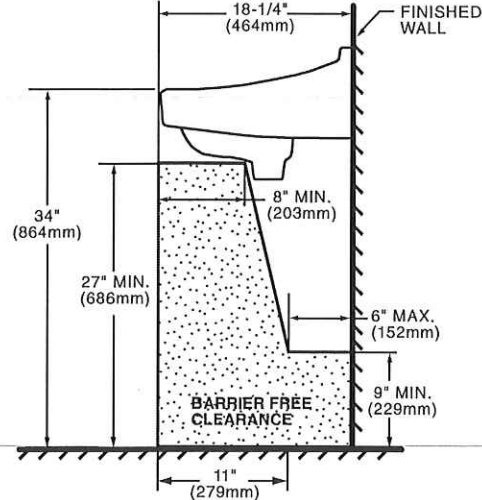
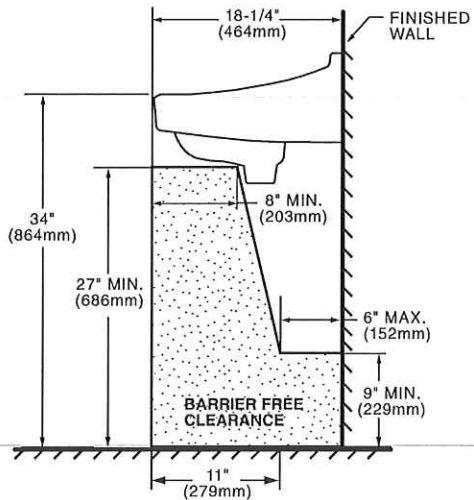
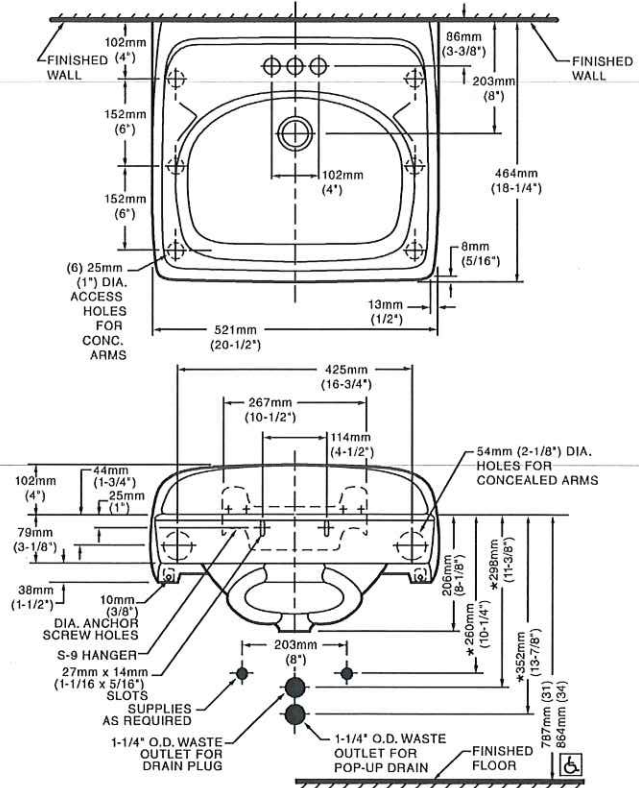
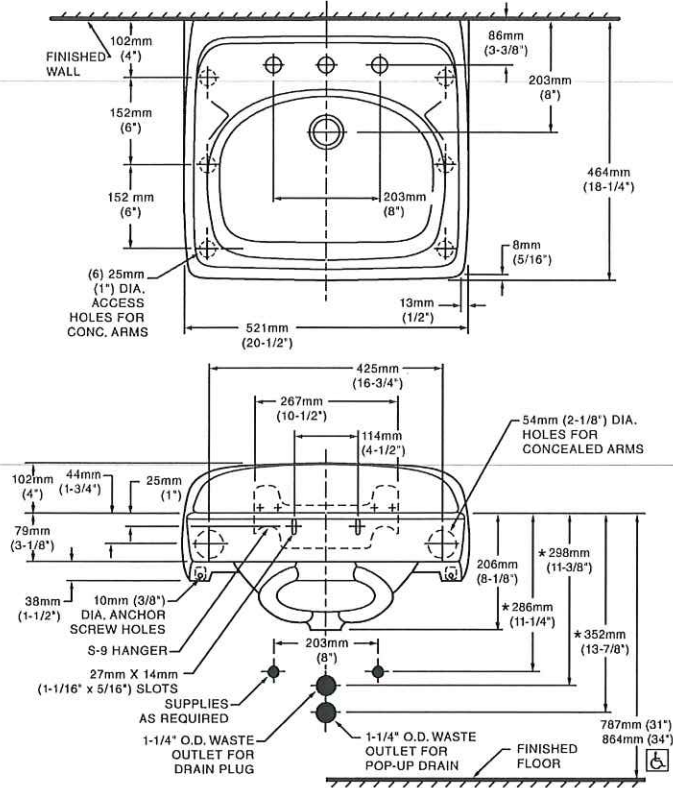
0356.015 8" CTRS FOR WALL HANGER OR CONCEALED ARMS

0356.915 LESS OVERFLOW

0355.021 4" CTRS FOR EXPOSED BRACKET SUPPORT

0355.012 4" CTRS FOR WALL HANGER OR CONCEALED ARMS

0355.912 LESS OVERFLOW



NOTES:
* DIMENSIONS SHOWN FOR LOCATION OF SUPPLIES AND "P" TRAP ARE SUGGESTED.
PROVIDE SUITABLE REINFORCEMENT FOR ALL WALL SUPPORTS.
FITTINGS NOT INCLUDED AND MUST BE ORDERED SEPARATELY.
CONCEALED ARM SUPPORT AS REQUIRED TO BE FURNISHED BY OTHERS.

IMPORTANT: Dimensions of fixtures are nominal and may vary within the range of tolerances established by ANSI Standard A112.19.2. These measurements are subject to change or cancellation. No responsibility is assumed for use of superseded or voided pages.

 LAVATORY DESIGNED TO MEET ADA HANDICAPPED GUIDELINES WITH MOUNTING HEIGHT SET AT 864MM (34") ABOVE FINISHED FLOOR.

There is more than 1 version of this model.
Page down to identify the version you have.

FAUCET DESCRIPTION

- Chrome plated solid brass construction
- 4" centerset metering faucet
- Vandal resistant

OPERATION

- Operates with water supply line pressures of 20 to 125psi
- ADA compliant lever style handle with hot and cold indicators
- Cycle time easily adjusted from 5 to 60 seconds, independent from water pressure
- Factory preset to automatically shut off after 10 seconds
- 1/2" IPS supply shanks


FLOW

- 0.5gpm max (1.9 L/min) vandal-resistant multi-stream laminar flow limits water discharge to a maximum of 0.25gpc (0.95 L/cycle) @ 30 seconds or 0.20gpc (0.76 L/cycle) @ 24 seconds

CARTRIDGE

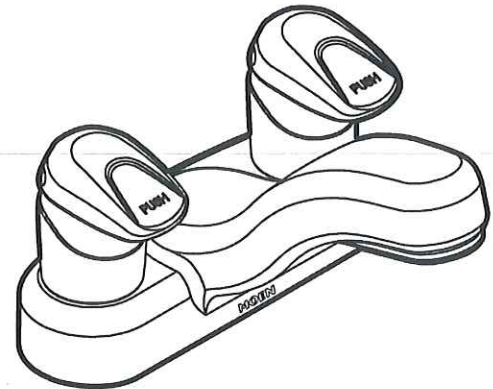
- 52100 brass shell cartridge
- Self contained metering mechanism which is separate from the potable water supply

STANDARDS

- Third party certified to ASME A112.18.1/CSA B125.1, and all applicable specifications referenced therein
- Contains no more than 0.25% weighed average lead content
- ADA  for lever handles
- CalGreen compliant

WARRANTY

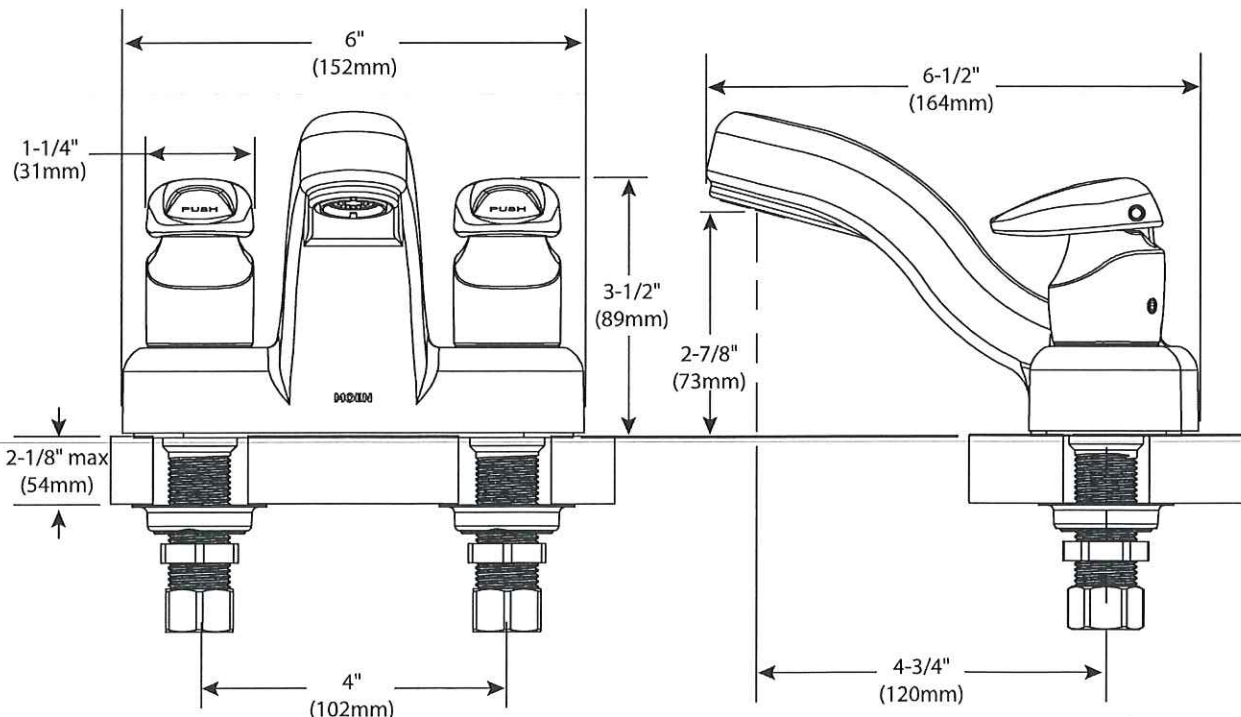
- Warranted for 5 years against material or manufacturing defects



Two-Handle ADA Metering Lavatory Faucet

Model: 8886 (Chrome)

NOTE: DESIGNED TO INSTALL THROUGH 2-1" MIN. DIA. HOLES. 4" ON CENTER



CRITICAL DIMENSIONS

(DO NOT SCALE)



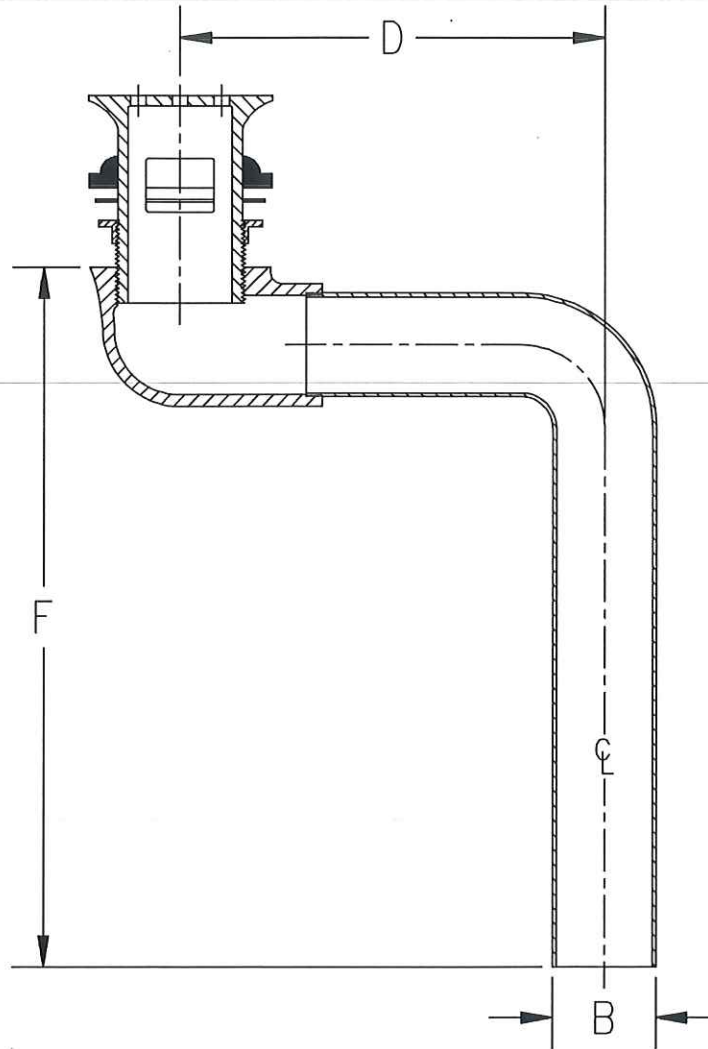
OFFSET LAVATORY STRAINERS ADA COMPLIANT

Z8746-PC

TAG _____



Engineering Specification: Zurn Z8746-PC – Chrome plated cast brass open grid drain strainer, and chrome plated cast brass elbow. Furnished with 1-1/4[32] 17 gauge, chrome plated tubular brass offset tailpiece for sink depth to 2-1/2[57].



Note: All dimensions are for reference only. Do not use for pre-plumbing

PRODUCT NUMBER	B OUTLET	DIMENSIONS		MASTER CARTON	WEIGHT CARTON
		D	F		
Z8746-PC	1-1/4[32]	5-1/8[130]	8-3/4[222]	24	40

OPTIONAL ACCESSORIES

Suffix	Description
____-NOF	No Overflow

ZURN INDUSTRIES, LLC ♦ COMMERCIAL BRASS OPERATION ♦ 2640 SOUTH WORK STREET ♦ FALCONER NY 14733

Phone: 1-800-997-3876 ♦ Fax: 1-919-775-3541 ♦ www.zurn.com

In Canada: ZURN INDUSTRIES LIMITED ♦ 3544 Nashua Drive ♦ Mississauga, Ontario L4V1L2 ♦ Phone: 905/405-8272 Fax: 905/405-1292



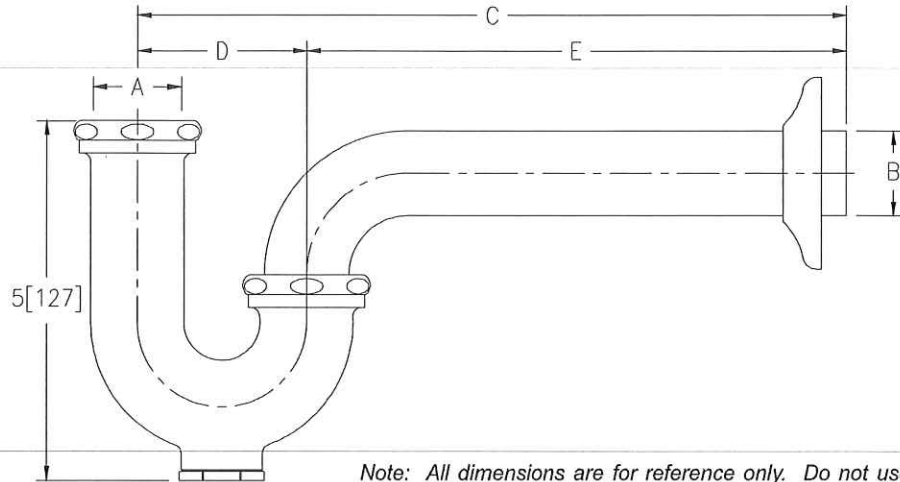
SEMI-CAST P-TRAPS WITH WALL BEND

Z8700-PC TO Z8708-PC

TAG



Engineering Specification: Zurn Z8700-PC to Z8708-PC. – Chrome-plated cast brass (copper alloy) body P-trap with cleanout, tubular brass wall bend as specified, die-cast nuts, and shallow escutcheon with compression inlet.



PRODUCT NUMBER	A INLET in[mm]	B OUTLET in[mm]	GAUGE	DIMENSIONS			MASTER CARTON	WEIGHT CARTON [lbs]
				C in[mm]	D in[mm]	E in[mm]		
Z8700-PC	1 1/4[32]	1 1/4[32]	17	10[254]	2 1/2[64]	7 1/2[191]	12	24
Z8700-8-PC	1 1/4[32]	1 1/4[32]	17	11[279]	2 1/2[64]	8 1/2[216]	12	24
Z8700-15-PC	1 1/4[32]	1 1/4[32]	17	15[381]	2 1/2[64]	12 1/2[318]	18	40
Z8701-PC	1 1/4[32]	1 1/2[38]	17	10 1/2[267]	3[76]	7 1/2[191]	12	24
Z8701-9-PC	1 1/4[32]	1 1/2[38]	17	12[305]	3[76]	9[229]	12	24
Z8701-15-PC	1 1/4[32]	1 1/2[38]	17	15[381]	3[76]	12[305]	18	42
Z8702-PC*	1 1/2[38]	1 1/2[38]	17	10 1/2[267]	3[76]	7 1/2[191]	12	24
Z8702-9-PC*	1 1/2[38]	1 1/2[38]	17	12[305]	3[76]	9[229]	12	24
Z8702-15-PC*	1 1/2[38]	1 1/2[38]	17	15[381]	3[76]	12[305]	18	42
Z8703B-PC**	1 1/2[38]	2[51]	17	12 1/2[318]	3 1/2[89]	9[229]	6	18
Z8704B-PC**	2[51]	2[51]	17	12 1/2[318]	3 1/2[89]	9[229]	6	18
Z8706-PC	1 1/4[32]	1 1/4[32]	20	10[254]	2 1/2[64]	7 1/2[191]	12	24
Z8707-PC	1 1/4[32]	1 1/2[38]	20	10 1/2[267]	3[76]	7 1/2[191]	12	24
Z8708-PC*	1 1/2[38]	1 1/2[38]	20	10 1/2[267]	3[76]	7 1/2[191]	12	24

OPTIONAL ACCESSORIES

Suffix	Description
-B	Brass Nuts
-BX	Box Escutcheon
-CE	Cast Brass Escutcheon with Setscrew
-D	Deep Escutcheon (Note = not available for Z8703B-PC and Z8704B-PC)
-J	Metal to Metal Ground Joint Connection
-WC	Waste Connections - Compression
-15	15[381] C Dim. 1 1/4[32] and 1 1/2[38] Only
-18	18[457] C Dim. 1 1/4[32] and 1 1/2[38] Only

* COMES WITH OPTIONAL 1-1/2" x 1-1/4" REDUCTION POLY-WASHER FOR INLET

** SHIPPED WITH BRASS NUTS UNLESS OTHERWISE SPECIFIED

ZURN INDUSTRIES, LLC ♦ COMMERCIAL BRASS OPERATION ♦ 2640 SOUTH WORK STREET ♦ FALCONER NY 14733

Phone: 1-800-997-3876 ♦ Fax: 1-919-775-3541 ♦ www.zurn.com

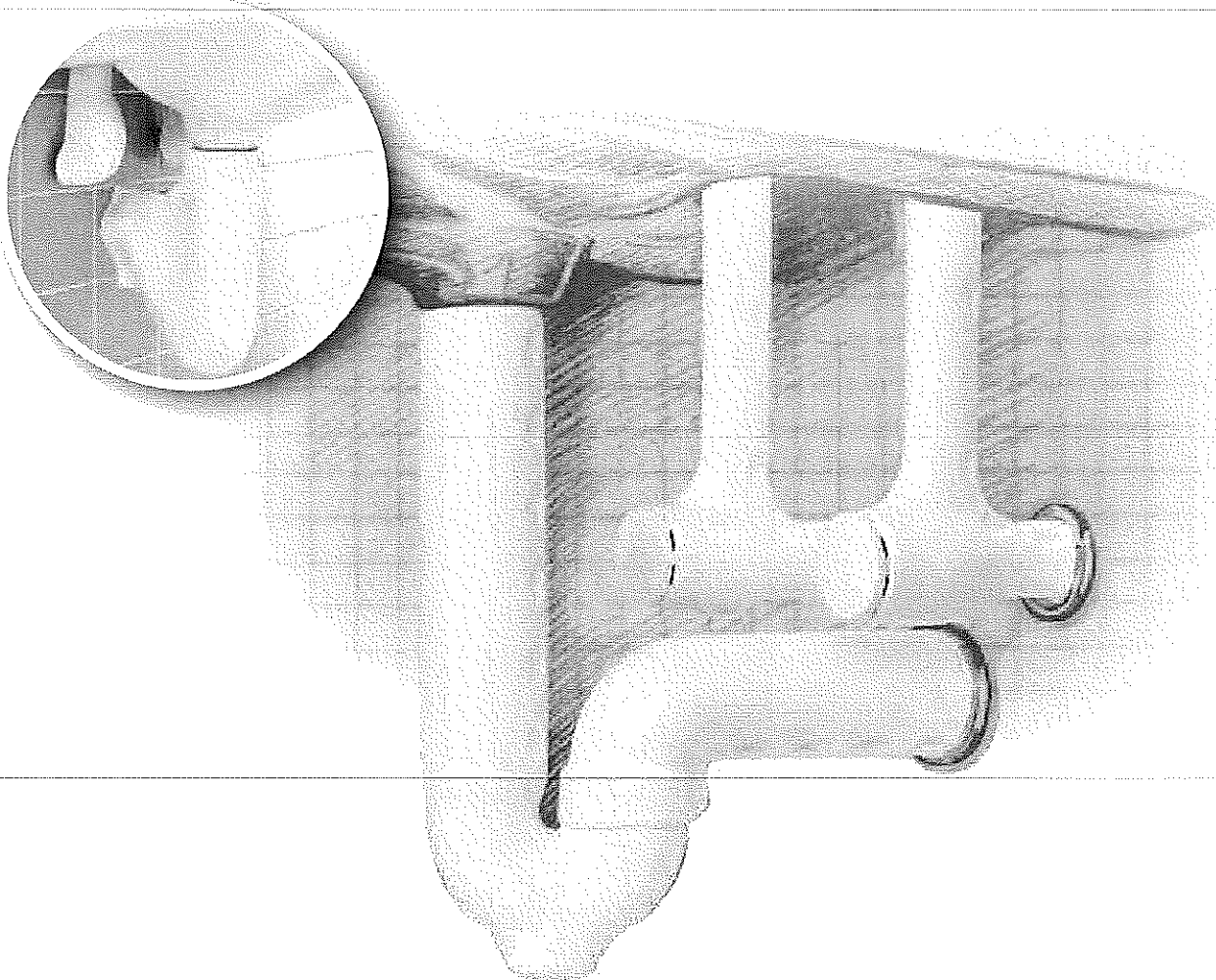
In Canada: ZURN INDUSTRIES LIMITED ♦ 3544 Nashua Drive ♦ Mississauga, Ontario L4V1L2 ♦ Phone: 905/405-8272 Fax: 905/405-1292

Dedicated to “Making America Accessible”

The Truebro® product line consists of protective undersink pipe covers and plumbing enclosures for ADA compliance in handicap-accessible lavatories and sinks – for both new construction and retrofit markets.

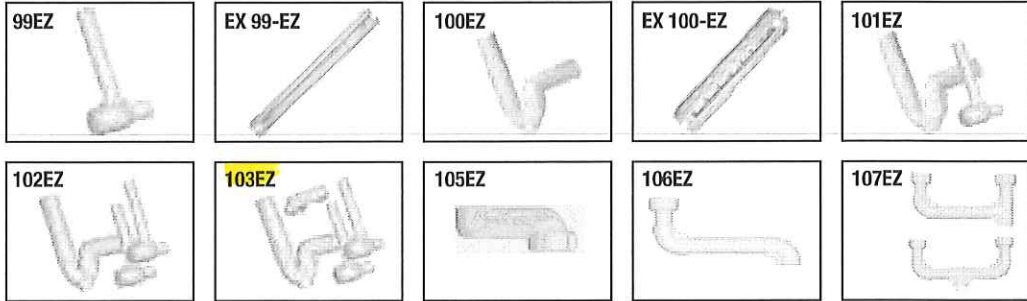
Solutions for ADA-mandated undersink accessibility

The Lav Guard® 2, Lav Shield®, Basin Guard™, and Soft-Guard Plus™ are professional ADA-mandated protection systems designed for durability, aesthetics and sanitary installations. Specifying, stocking or installing Truebro is your assurance of protecting people with disabilities while providing quality, durability and improved aesthetics.



CATEGORY 24

Lav Guard® 2

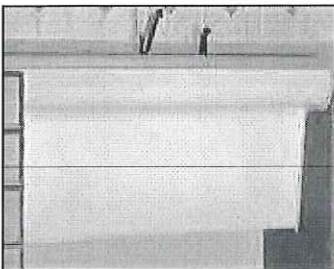


Lav Guard® 2 E-Z series provides the durable, attractive, ADA-compliant undersink protection that the original Truebro Lav Guard® is famous for. Built-in E-Z Grip fasteners and internal E-Z Tear-To-Fit trimming features eliminate the need for tools, and provide for a clean, tamper-resistant, super-fast professional installation.

- E-Z Tear-To-Fit feature makes trimming super-fast and contractor-friendly—no tools required
- E-Z Grip built-in fasteners are quick, strong, and reusable
- Universal design fits more P-traps and thumb wings on plastic compression nuts

Product Code #	Product Description	Model Number	UPC Barcode	Cubic ft./Case	Units/Case	Lbs/Case
100EZ series for tubular P-traps						
82188	One Angle Valve and Supply Cover	99-EZ	012181-821886	15	15	
82190	One P-Trap Cover	100-EZ	012181-821909	15	27	
82192	One P-Trap Cover, One angle Valve & Supply Cover	101-EZ	012181-821923	15	33	
82193	One P-Trap Cover, Two angle Valve & Supply Cover	102-EZ	012181-821930	15	41	
82194	One P-Trap Cover, Two angle Valve & One offset cover	103-EZ	012181-821947	15	46	
82189	One 16" Extension for Water Supply	EX 99-EZ	012181-821893	15	11	
82191	One 14" Ext for Drain Waste Arm or Tailpiece	EX 100-EZ	012181-821916	15	27	
82195	One 5" Offset Tailpiece Wheelchair Strainer Assembly	105-EZ	012181-821954	15	9	
82196	Kohler 6" Offset	105-K	012181-821961	15	9	
82197	One Basket Strainer Cover & Offset Waste Cover	106-EZ	012181-821978	15	35	
82198	Two Basket Strainer Covers & Center or End Outlet Waste Cover	107-EZ	012181-821985	1	4	
400 series for Schedule 40 plastic traps						
82199	One P-Trap Cover	400	012181-821992	15	30	
82200	One P-Trap Cover, One angle Valve & Supply Cover	401	012181-822005	15	36	
82201	One P-Trap Cover, Two angle Valve & Supply Cover	402	012181-822012	15	42	

Basin Guard™

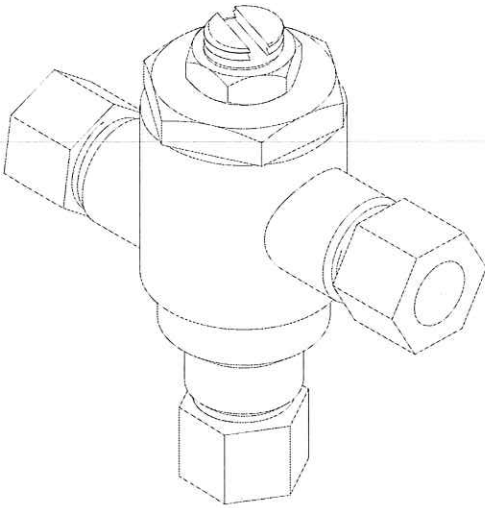


Basin Guard® is an ADA-compliant undersink piping enclosure for kitchen, classroom and lavatory sinks. Basin Guard can be installed where ever counter tops and sidewalls are present and the proper ADA sink is installed. Provides an attractive way to conceal piping and mechanical connections. Bottom opening allows for easy service access.

- ADA-conforming design protects wheelchair users from scalding and sharp, abrasive surfaces. When installed, all plumbing and mechanical components are concealed
- Strict code compliance minimizes risk. The Basin Guard complies with ADA article 4.19.4, California Plumbing Code 1504.2.1, ANSI A117.1, BOCA P 1203.4, and other state and local regulations. Basin Guard also has a flammability resistance, tested in accordance with Underwriters Laboratories for the UL 94 standard with a V-0 rating
- 36" and 42" enclosures are easy to specify, stock and install. May be used with virtually any ADA-compliant sink or restroom lavatory where countertops and sidewalls are present
- High-impact, UV-protected vinyl maximizes product life cycle. The Basin Guard is molded from impact-resistant, stain-resistant and chemical-resistant protective vinyl for durability, safety and long life
- Can be packaged up to 4 per box. Specify quantity when ordering

Product Code #	Product Description	Model Number	UPC Barcode	Cubic ft./Case	Units/Case	Lbs/Case
82234	36" Basin Guard-White	36W	012181-822340	1	12	
82233	36" Basin Guard-Bone	36B	012181-822333	1	12	
82236	42" Basin Guard-White	42W	012181-822364	1	14	
82235	42" Basin Guard-Bone	42B	012181-822357	1	14	

170A-LF



Application:

The Model 170A-LF is a high performance thermostatic temperature limiting device used to supply single outlets. Can be used to supply one sensor faucet or one two handle manual faucet.

Features:

- Certified to ASSE 1070 to control down to 0.25 GPM
- Eco-Mix Certified Lead-Free* construction
- Integral inlet checks and stainless steel screens
- Includes locknut to prevent accidental adjustment
- Easy 3/8" tubing or flex hose installation

Specifications:

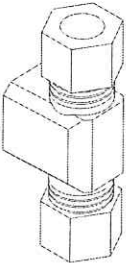
- Minimum flow: 0.25 GPM (0.95 l/Min) Certified to ASSE
- Maximum flow: 4 GPM
- Maximum pressure: 125 PSI (8.6 BAR)
- Maximum hot water temperature: 180°F (82°C)
- Hot water inlet temperature range: 120-180°F (49-82°C)
- Cold water inlet temperature range: 33-80°F (1-27°C)
- Temperature adjustment range: 95-120°F (35-49°C)

Certifications:

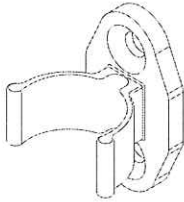
ASSE 1070-2015  CSA B125.70-15 

Options:

- STSTL REC- Stainless steel cabinet, #4 finish, recessed
- STSTL EXP- Stainless steel cabinet, #4 finish, exposed
- BP- Cold water By-Pass (shipped loose)
- BRKT- mounting bracket (shipped loose)
- CP- Chrome plated finish

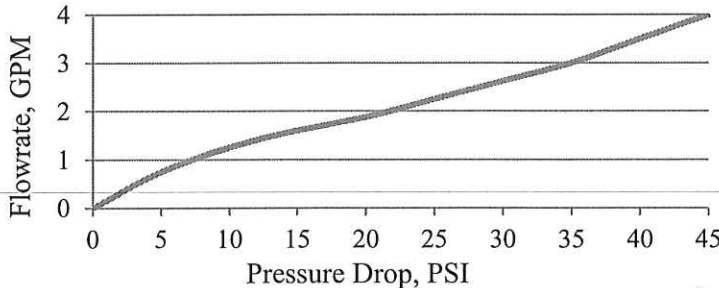


BP option



BRKT option

PRESSURE DROP							
5	10	15	20	30	45		PSI
.35	.70	1.05	1.4	2.1	3.1		BAR
0.75	1.25	1.6	1.88	2.63	4		GPM
2.84	4.73	6.06	7.1	10	15		L/MIN



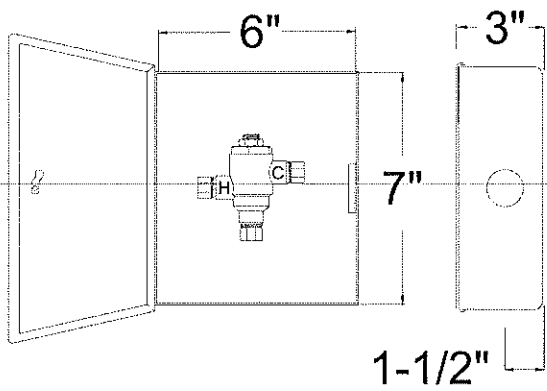
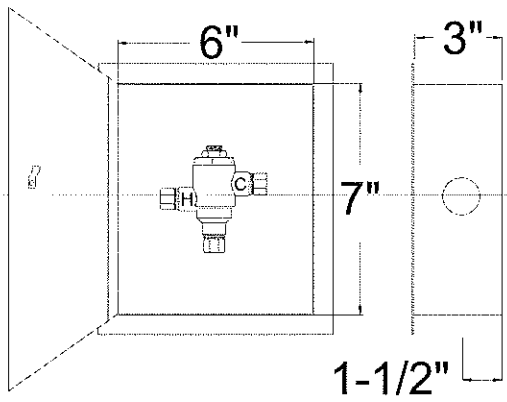
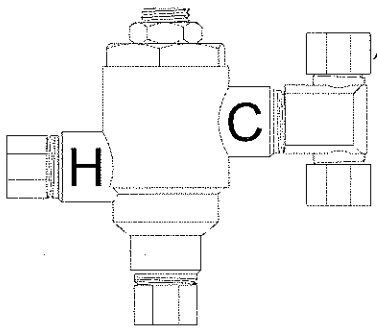
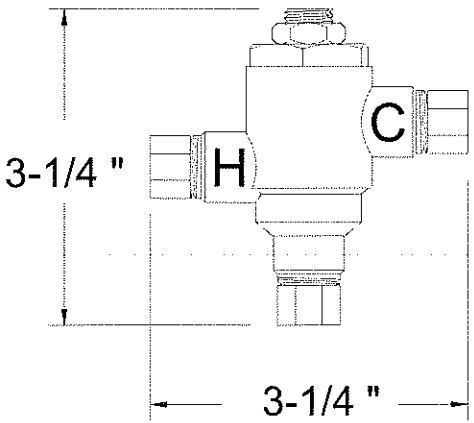
* This product is certified to meet Low Lead requirements of wetted surface area containing less than 0.25% lead by weight

Engineer's Approval	Job # _____
	Arch/Eng. _____
	Contractor _____



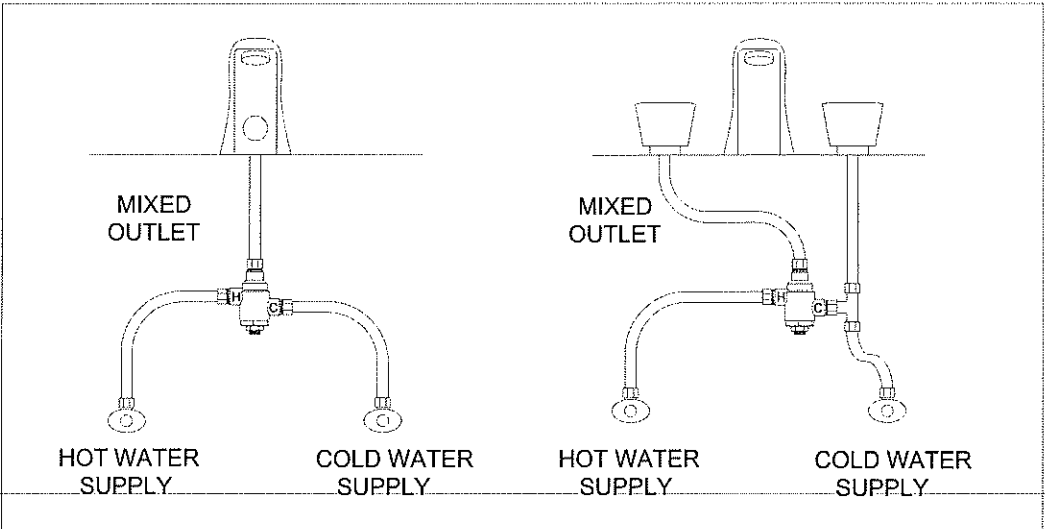
1360 Elmwood Avenue, Cranston, RI 02910 USA
 Phone: 401.461.1200 Fax: 401.941.5310
 Email: info@leonardvalve.com
 Web Site: <http://www.leonardvalve.com>

BP-OPTION



170A-LF-STSTL-REC

170A-LF-STSTL-EXP



170A-LF

170A-LF-BP



Note: Leonard Valve Company reserves the right of product, or design modifications without notice or obligation.

1360 Elmwood Avenue, Cranston, RI 02910 USA
 Phone: 401.461.1200 Fax: 401.941.5310
 Email: info@leonardvalve.com
 Web Site: <http://www.leonardvalve.com>

© 2017 Leonard Valve Company
Printed in USA

SUBMITTAL SHEET

JOB NAME	ITEM TAG
JOB LOCATION	PART NUMBER
CONTRACTOR	DATE
ENGINEER APPROVAL	DATE

LEAD-FREE TRADITIONAL MULTI-TURN ANGLE-PATTERN CHROME SUPPLY STOPS T/S-581NL, T-581PNL, S-581ETNL T/S-581RBNL, T/S-581PBNL, T/S-583NL and T/S-581LSNL

Lead-free design is suitable for all no-lead potable water installations, in full compliance of all lead-free plumbing laws.

Compact, lead-free brass body is machined from a single piece of barstock, providing the highest level of durability and strength.

Thermoplastic stems (except sweat configurations) resist scale and debris build-up better than metallic stems, even in hard water conditions.

Each stop is individually packaged, preventing connection component loss and protecting the stop from contamination.

Available in eleven angle-pattern configurations, including compression, PEX, sweat, extended-tube and FNPT inlet connections.

Available in chrome-plated, polished brass and rough-brass finishes.

Working Pressure, Non Shock (PSI)

Cold working pressure (CWP): 110

Saturated steam (WSP): Not suitable for steam service

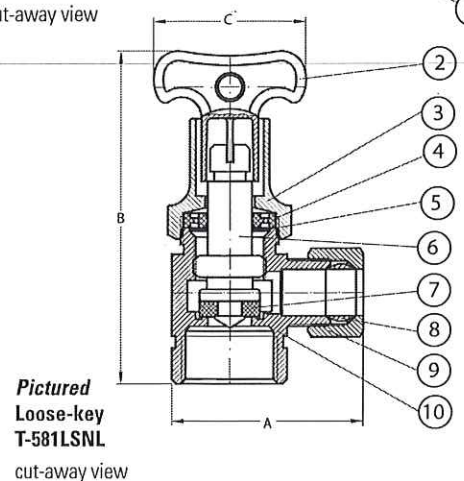
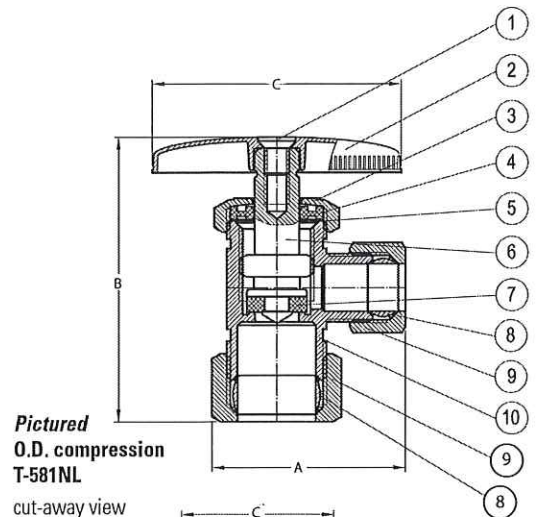
- Third-party tested and certified in compliance with U.S. Federal Public Law 111-380 (National lead-free plumbing law).
- Certified to ANSI/NSF Standard 61-G
- End connections conform to ANSI/ASME B1.20.1 (FNPT) ANSI/ASME B16.18 (CTS Solder) ASTM F1807 (PEX Barb)
- Manufactured in an ISO accredited facility



DIMENSIONS			
(Inlet x Outlet)	A	B(closed)	C
3/8" OD x 3/8" OD	1.43	2.24	2.02
5/8" OD x 3/8" OD**	1.57	2.31	2.02
5/8" OD x 1/4" OD	1.51	2.45	2.02
3/8" FNPT x 3/8" OD	1.46	2.08	2.02
1/2" FNPT x 3/8" OD*	1.57	1.97	2.02
1/2" CPVC x 3/8" OD	1.58	2.73	2.02
1/2" PEX x 3/8" OD	1.43	2.36	2.02
1/2" Tubing sweat x 3/8" OD*	1.44	1.99	2.02
1/2" Sweat extended-tube x 3/8" OD	2.40	6.69	2.02
1/2" FNPT x 1/2" OD	1.67	2.13	2.02
5/8" OD x 1/2" OD	1.58	2.43	2.02
1/2" Tubing sweat x 1/2" OD*	1.52	2.05	2.02
1/2" FNPT x 1/2" or 7/16" OD Slip-joint	1.56	2.07	2.02
5/8" OD x 1/2" or 7/16" OD Slip-joint	1.58	2.38	2.02
1/2" Tubing sweat x 1/2" or 7/16" OD Slip-joint	1.48	2.19	2.02
1/2" FNPT x 3/8" OD with lockshield and loose-key	1.58	2.76	1.24
5/8" OD x 3/8" OD with lockshield and loose-key	1.44	3.10	1.24
1/2" Tubing sweat x 3/8" OD with lockshield and loose key	1.44	2.75	1.24

*Also available in rough brass (unplated)

**Also available in rough brass (unplated) and polished brass finishes



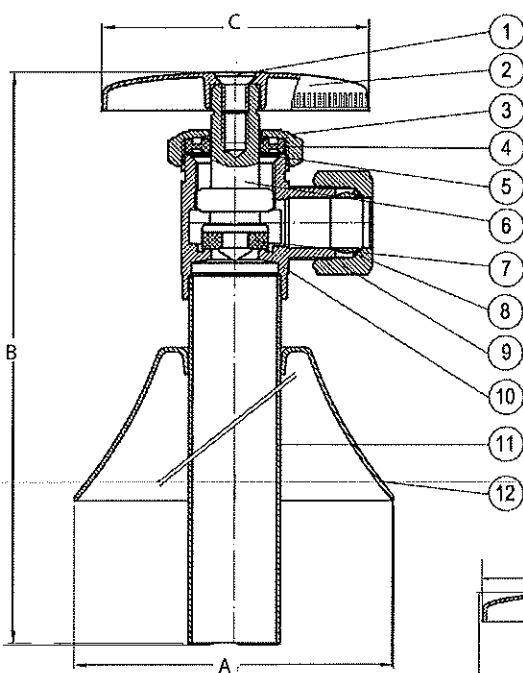
SUBMITTAL SHEET

JOB NAME	ITEM TAG
JOB LOCATION	PART NUMBER
CONTRACTOR	DATE
ENGINEER APPROVAL	DATE

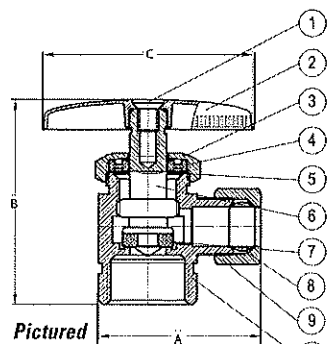
MATERIAL SPECIFICATION

PART	MATERIAL	SPECIFICATION
1 Handle screw	Chrome plated brass	JIS 3260 UNS C2600W
2 Handle (or loosekey)	Chrome plated die-cast brass (loosekey only: polished brass finish)	ASTM Z30A Copper alloy #858
3 Bonnet	Chrome plated forged brass	UNS Alloy C37700
4 Stem packing	EPDM rubber	Commercial grade, NSF approved
5 Anti-friction packing support washer	Stainless steel	AISI grade 304
6 Stem	Acetal copolymer (Loose-key and sweat configurations: CP lead-free forged brass)	Celcon® M90 resin (Loose-key and sweat configurations: UNS Alloy C46400)
7 Seat washer	EPDM rubber	Commercial grade, NSF approved
8 Compression ferrule	Lead-free forged brass*	UNS Alloy C46400
9 Compression nut	Chrome plated forged brass	UNS Alloy C37700
10 Body	Lead-free chrome plated forged brass*	UNS Alloy C46400
11 Extension tube (model S-581ETNL only)	Lead-free chrome plated brass	UNS Alloy C26000
12 Escutcheon (model S-581ETNL only)	Stainless steel	AISI grade 304
13 Adapter gasket (1/2" CPVC T-581NL only)	NBR (Buna-N) rubber	Commercial grade, NSF approved
14 CPVC tubing adapter (1/2" CPVC T-581NL only)	Virgin CPVC resin	ASTM D1784, Class 23447
15 Compression nut (1/2" CPVC T-581NL only)	Chrome plated forged brass	UNS Alloy C37700
16 Slip-joint gasket (model T/S-583NL only)	EPDM rubber	Commercial grade, NSF approved
17 Anti-friction washers (two) (model T/S-583NL only)	Lead-free brass	UNS Alloy C26000
18 Compression nut (model T/S-583NL only)	Chrome plated forged brass	UNS Alloy C37700

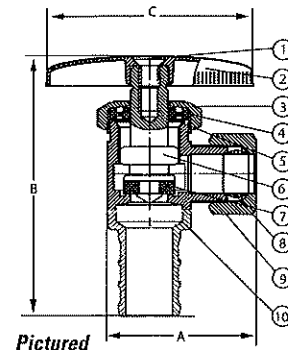
*rough brass (unplated) and polished brass configurations are also lead-free



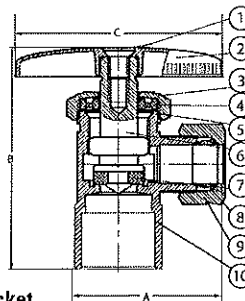
Pictured
5" extension tube
S-581ETNL
cut-away view



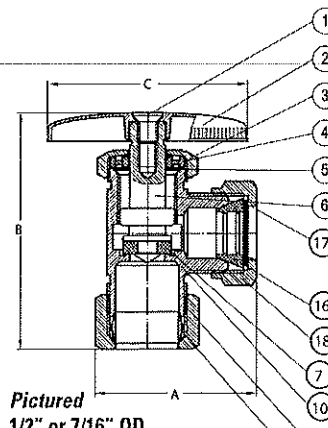
Pictured
FNPT T-581NL
cut-away view



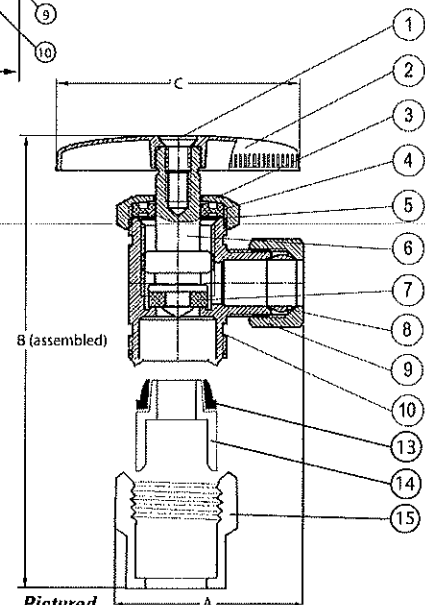
Pictured
PEX barb T-581PNL
cut-away view



Pictured
Tubing socket
S-581NL
cut-away view



Pictured
1/2" or 7/16" OD
T-583NL
cut-away view



Pictured
1/2" CPVC T-581NL
cut-away view

Winsupply Product Information

Residential Plumbing > Residential Rough Plumbing > Toilet Flanges

HELP IMPROVE THIS PRODUCT INFO

5/8 in. Steel Shallow Escutcheon, Chrome

GENE RICH

Model #: 168

Item #: 14440168

Features:

- Chrome-plated finish
- Sure grip type
- Also fits 1/2 in. CWT

Selling Size:

5/8 in



Product Description

This chrome-plated escutcheon is used to cover a wall opening where tubing penetrates.

- Chrome-plated finish
- Sure grip type
- Also fits 1/2 in. CWT

Product Specifications

Catalog Number	168
Color	Chrome
Material	Steel
Order Number	168
Selling Size	5/8 in
UPC	619154002350
Weight	1

Winsupply Product Information

Commercial Plumbing > Commercial Rough Plumbing > Commercial Rough Plumbing Installation Supplies > Water Supply Lines & Tubes

HELP IMPROVE THIS PRODUCT INFO

3/8 in. Comp x 1/2 in. Female 20 in. Braided Stainless Steel Faucet Connector

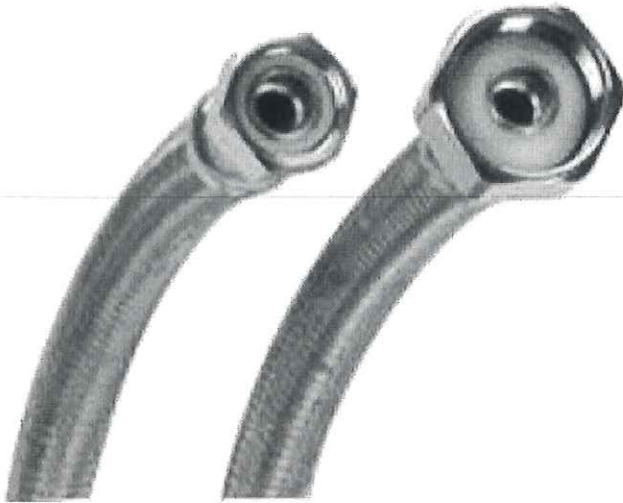
FLUIDMASTER

Model #: B1F20

Item #: 1425B1F20

Features:

- Faucet connector
- Highest bursting strength available
- Braided stainless steel



Product Documentation:



[Spec Sheet](#)



[Install Sheet](#)

Product Description

This braided stainless steel faucet connector connects a faucet to the wall water supply, and is designed not to burst even in the highest pressure conditions.

- Faucet connector
- Highest bursting strength available
- Braided stainless steel
- 5-year warranty
- Heavy duty nickel plated brass hex nuts are easy to grip
- 3/8 in. comp. x 1/2 in. f.i.p. fitting - 20 in. length
- Lead free and meeting all code requirements
- 5 year warranty

Product Specifications

APCO Part Number	651185
Adjustable	No
Catalog Number	B1F20
Color/Finish	Nickel
Connection Type	Compression
Height	1
Length	20.25
Material	Stainless Steel
Order Number	B1F20

NEW AND IMPROVED NET PRICING on Fluidmaster® Water Supply Connectors

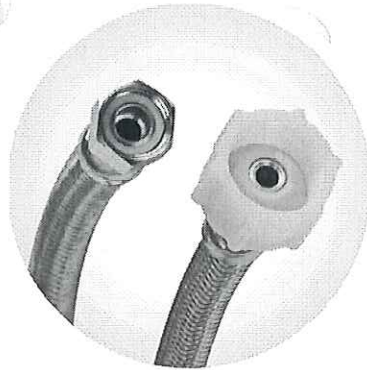


Faucet

B1F12C - 12"

B1F16C - 16"

B1F20C - 20"



Toilet

B1T12C - 12"

B1T20C - 20"

- ✓ 10 year warranty
- ✓ 30 years in water supply connector business
- ✓ NSF certified
- ✓ Pressure test & leak test 100% of the connectors
- ✓ Lot traceability

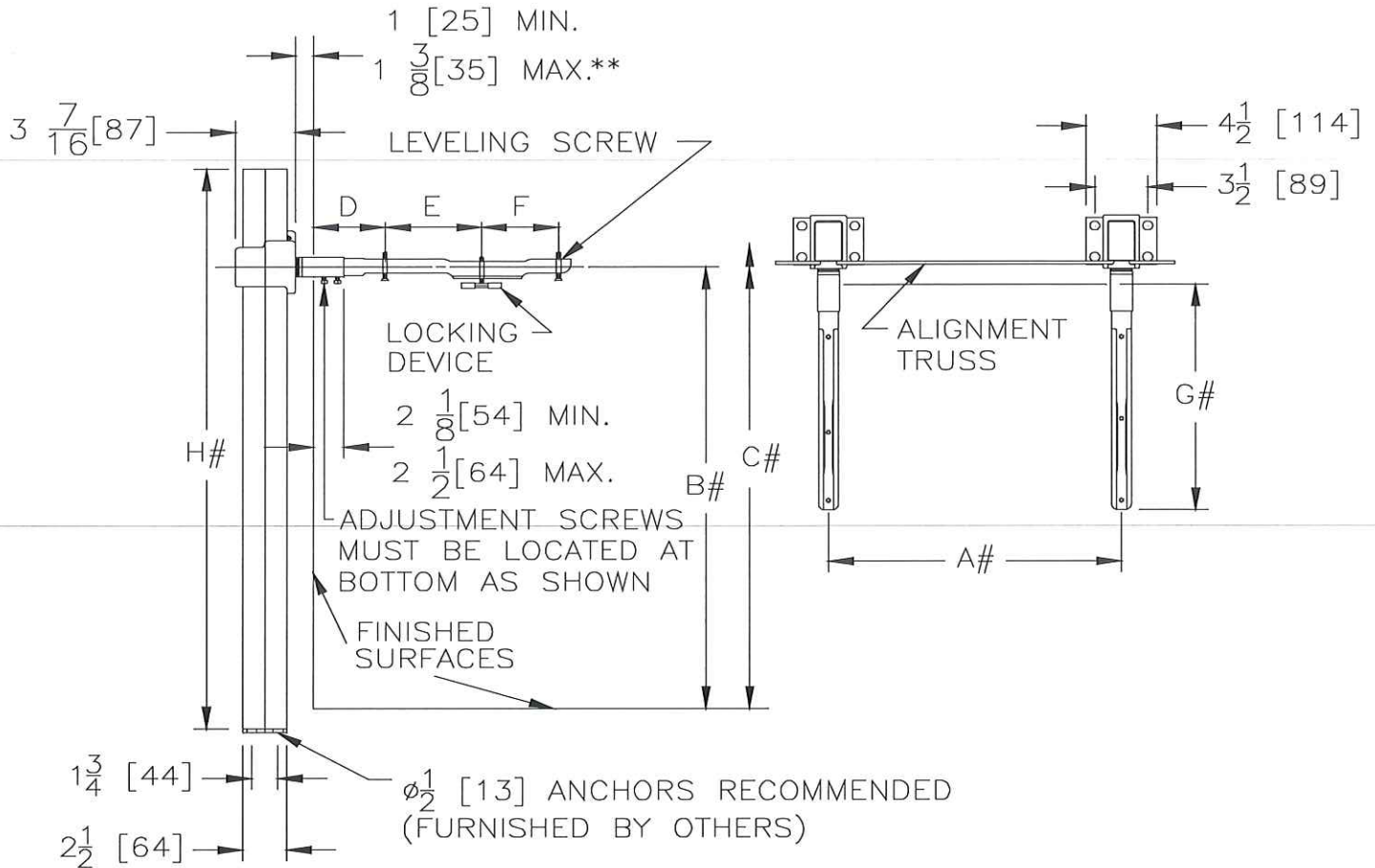


Z1231
CONCEALED ARM SYSTEM
WALL LAVATORIES

SPECIFICATION SHEET

TAG _____

Dimensional Data (inches and [mm]) are Subject to Manufacturing Tolerances and Change Without Notice



NOTES:

REFER TO ROUGH-IN GUIDE OF SPECIFIC FIXTURE FOR DIMENSION

** WITH STANDARD SLEEVE LENGTH OF 4 [102]

Product No.	Approx. Wt. Lbs. [kg]
Z1231	45 [20]

ENGINEERING SPECIFICATION: ZURN Z1231

Lavatory support system with concealed arms. Complete with Dura-Coated rectangular steel uprights with welded feet, cast iron adjustable headers, concealed arms, steel sleeves, alignment truss, and mounting fasteners.

OPTIONS (Check/specify appropriate options)

PREFIXES

xxx Z Dura-Coated System with Concealed Arms*

SUFFIXES

- ___ -AL Adapter Lug
- ___ -CB Carrier Bank
- ___ -D Back to Back System
- ___ -E2 Concealed Arm Escutcheons 2 [51] Long
- ___ -SL Sleeve Length Over 4 [102] (Specify Length)
- ___ -WS Wall Support Valve Plate (Specify Knee or Foot action, Valve Name, and Number)
- ___ -79 ADA Rough-in

* Regularly furnished unless otherwise specified.

WC-1
AMERICAN STANDARD 3043.001 ADA BOWL
ZURN ZER6000CPM BATTERY FLUSH VALVE
5901.100SS SEAT

Madera™ FloWise® 16-1/2" Height Elongated LESS EverClean®

- Floor mount flushometer valve toilet
- Vitreous china
- High Efficiency, Low Consumption. Operates in the range of 1.1 gpf to 1.6 gpf (4.2 Lpf to 6.0 Lpf)
- Meets definition of HET (High Efficiency Toilet) when used with a high efficiency flush valve (1.1, 1.28 gpf or 1.6 / 1.1 gpf dual flush)
- Fully glazed 2-1/8" trapway
- Elongated bowl
- 10" or 12" roughing-in
- 16-1/2" rim height for accessible application
- Condensation channel
- Powerful direct-fed siphon jet action
- 10" x 12" water surface area
- 1-1/2" inlet spud
- 2 bolt caps included
- Tested to support static weight load of 2,500 lbs. (1,134 kg)

- 3043.001** Elongated bowl only, top spud
- 3248.001** Elongated bowl only, top spud with slotted rim for bedpan holding
- 3249.001** Elongated bowl only, back spud

Component Parts:

- 047007-0070A** Inlet Spud (furnished with bowl)
- 034783-0200A** Bolt caps with retainers (furnished with bowl)

Nominal Dimensions:

718 x 356 x 419mm
(28-1/4" x 14" x 16-1/2")

Fixture only, less seat and flush valve

Compliance Certifications - Meets or Exceeds the Following Specifications:

- ASME A112.19.2 / CSA B45.1 for Vitreous China Fixtures



SEE REVERSE FOR ROUGHING-IN DIMENSIONS

System MaP* Score:

- 1,000 grams of miso @ 1.1 gpf, 1.28 gpf or 1.6 gpf when used with an American Standard flush valve

* Maximum Performance (MaP) testing performed by IAPMO R&T Lab. MaP Report conducted by Veritec Consulting, Inc. and Koeller and Company.

OPERATING PRESSURE:

25 psi (flowing) - 80 psi (static)

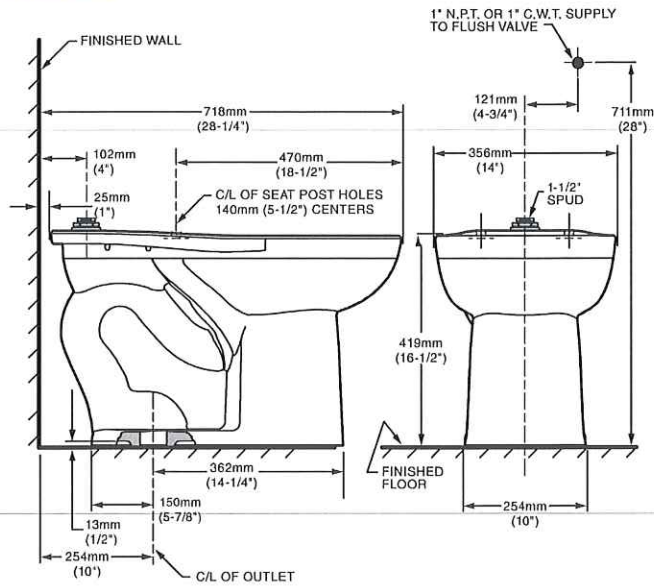
FLOW REQUIREMENT:

25 gpm (94.6 L/min.)

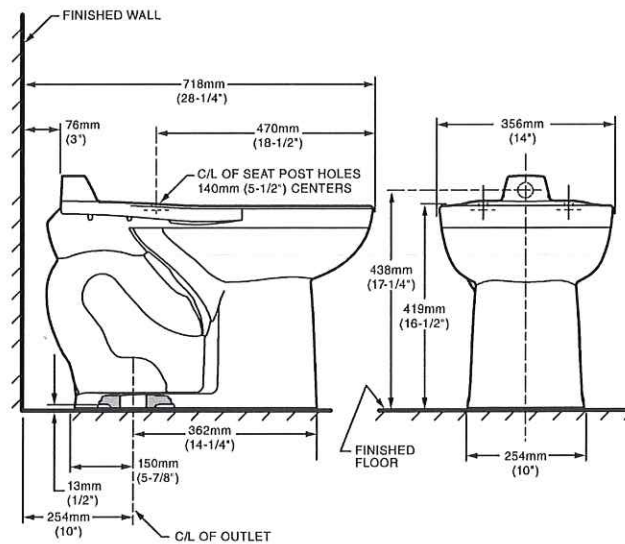
To Be Specified:

- Color: White
- Seat:
 - American Standard #5901.100 Heavy duty open front less cover
 - American Standard #5901.100SS Extra heavy duty open front less cover with EverClean®
- Flushometer Valve:

3043.001/3248.001



3249.001



NOTES:
 PRODUCT 3043 SHOWN, 3248 SAME EXCEPT WITH SLOTTED RIM FOR BED PAN HOLDING.
 TO COMPLY WITH AREA CODE GOVERNING THE HEIGHT OF VACUUM BREAKER ON THE FLUSHOMETER VALVE, THE PLUMBER MUST VERIFY DIMENSIONS SHOWN FOR SUPPLY ROUGHING.
 THIS TOILET DESIGNED TO ROUGH-IN AT A MINIMUM DIMENSION OF 254MM (10") AND A MAXIMUM DIMENSION OF 305MM (12") FROM FINISHED WALL TO C/L OF OUTLET.
 FLUSHOMETER VALVE NOT INCLUDED WITH FIXTURE AND MUST BE ORDERED SEPARATELY. FLUSHOMETER VALVE REQUIREMENTS FOR 12" (305MM) ROUGH-IN: SWEAT EXTENSION NIPPLE IS REQUIRED. REFER TO VALVE MANUFACTURER AND LOCAL CODES.

IMPORTANT: Dimensions of fixtures are nominal and may vary within the range of tolerances established by ANSI Standard A112.19.2. These measurements are subject to change or cancellation. No responsibility is assumed for use of superseded or voided pages.



ZER6000AV-CPM

Sensor Operated Battery Powered Flush Valve
For Water Closets

TAG _____

Architectural/Engineering Specification: ZURN ZER6000AV-CPM AquaSense® 'AV' Exposed Closet Flush Valve

Exposed, quiet diaphragm-type, chrome plated flushometer valve with a polished exterior. Complete with Zurn's AquaVantage TPE, chloramine resistant, dual seal diaphragm with a clog resistant, triple filtered by-pass. The unit features a 6VDC motor actuator with automatic infrared sensor, user-in view L.E.D., low battery indicator light, switchable 24 hour auto-flush and three second delay flush to deter false flushing, 10 degree angled sensor for optimum user detection, courtesy flush button, high impact resistant polycarbonate housing, impact resistant glass lens and chrome plated metal cover. The unit comes complete with 4 "C" size batteries, wrench for installation and allen key for the battery compartment. The E-Z Flush electronics are ultra energy efficient for optimal battery life. This unit incorporates a high back pressure vacuum breaker, one piece hex coupling nut, adjustable tailpiece, spud coupling and flange for top spud connection. Control stop has internal siphon-guard protection, vandal resistant stop cap, sweat solder kit, and a cast wall flange with set screw. Internal seals are made of chloramine resistant materials.



Compliance and Certification:

- Complies with ASSE 1037/ASME A112.1037/CSA B125.37
- ADA Compliant



*This product should be used with a WaterSense labeled counterpart with a compatible flush volume to ensure that the entire system meets the requirements for water efficiency and performance.

Flow Options:

	Flush Volume	WaterSense* Labeled
<input checked="" type="checkbox"/> -ONE	1.1 gpf	✓
<input type="checkbox"/> -HET	1.28 gpf	✓
<input type="checkbox"/> -WS1	1.6 gpf	
<input type="checkbox"/> -Standard	3.5 gpf	

Suffix Options:

- FM12 Floor Mount 12" Rough In
- MOB Manual Over-ride Button (Front of Body)
- YJ Split Ring Pipe Support
- YK Solid Ring Pipe Support

Architectural/Engineering Approval

The information contained in this document is subject to change without notice.
Please contact Zurn for most up to date information.

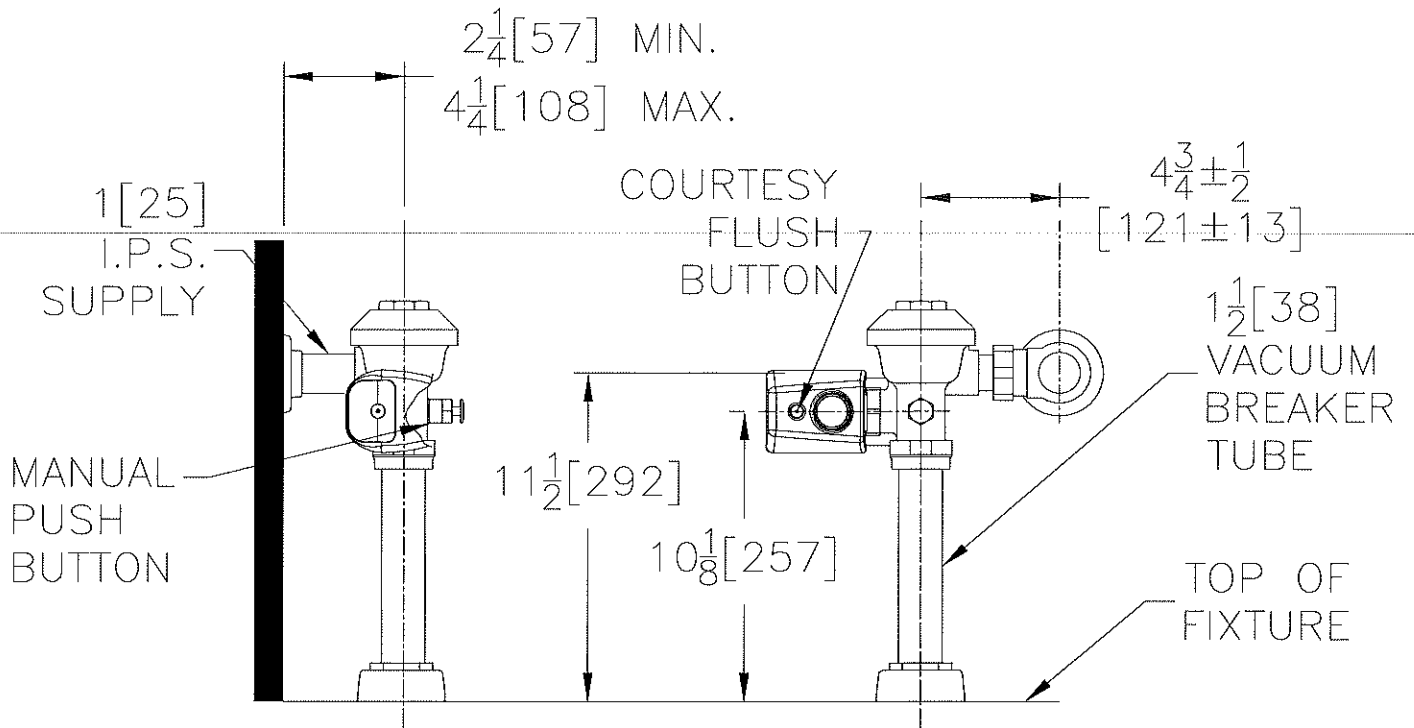


ZER6000AV-CPM

Sensor Operated Battery Powered Flush Valve
For Water Closets

TAG _____

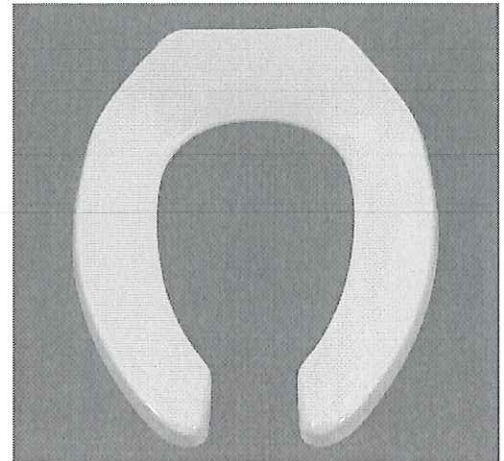
Rough-in/Overview dimensions



COMMERCIAL TOILET SEATS

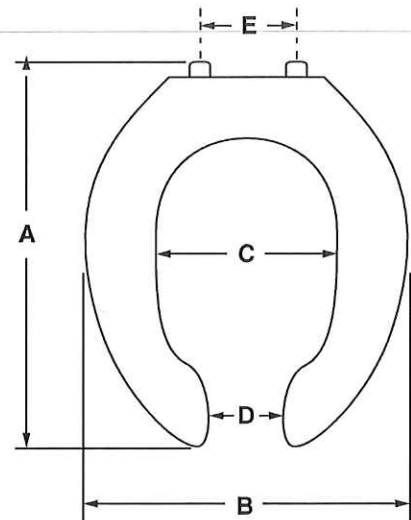
- 5901.100** Elongated Heavy Duty bowl open front seat less cover
- 5901.100SS** Same as 5901.100 with self-sustaining hinge
- 5901.110T** Same as 5901.100 with EverClean® Surface
- 5901.110T5** Master Pack of 5 - 5901.110T seats individually boxed and labeled for easy sell through

- Open front toilet seat less cover
- Injection molded solid polypropylene
- Fits elongated bowl
- Features large molded-in bumpers
- External check hinge with 304 Series stainless steel hinge posts stops seat 11° beyond vertical
- EverClean® silver-based surface permanently inhibits the growth of stain and odor causing bacteria, mold and mildew on the surface. EverClean® surface does not protect against disease causing bacteria.



5901

Model #	5901
A	18-9/16" (471mm)
B	14-3/8" (365mm)
C	7-7/8" (200mm)
D	3-1/2" (89mm)
E	5-1/2" (140mm)
Ring Thickness	7/8" (22mm)
Ring Thickness with Bumper	1" (25mm)

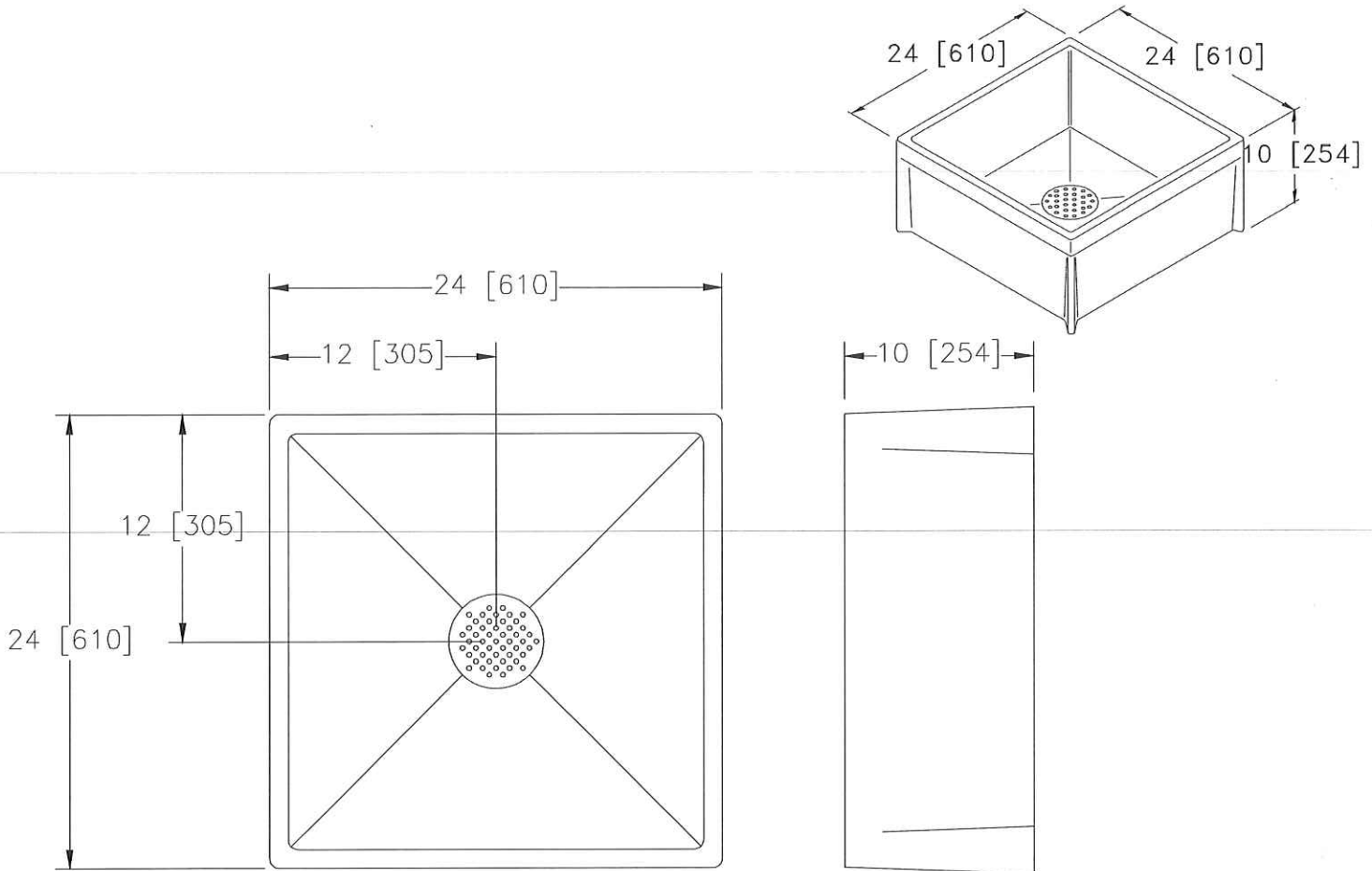


To Be Specified:

- Color: White

SS-1
ZURN Z1996-24 MOP SINK
T&S B-0665-BSTR FAUCET
B-0654/B-0653 HOOK , HOSE, AND HANGER
BP-2-24 BACK SPLASH

Dimensional Data (inches and [mm]) are Subject to Manufacturing Tolerances and Change Without Notice



Product	Mop Basin Size	Approx. Wt. Lbs. [kg]
✓ Z1996-24	24 x 24 x 10 [610 x 610 x 254]	50 [23]

ENGINEERING SPECIFICATION: Z1996-24

Mop Service Basin 24 x 24 x 10 [610 x 610 x 254] Molded high density composite basin, PVC drain body, stainless steel strainer and 3 [76] gasketed outlet connection. Certifications: Meets ANSI Z124.6, CSA listed, and IAPMO listed under file # 3561.

OPTIONS (Check/specify appropriate options)

SUFFIXES

- ___ -AW White Body
- ___ -BS Stainless Steel Bumper Guard
- ___ -BV Vinyl Bumper Guard
- ___ -HH Hose and Hose Bracket
- ___ -MH Mop Hanger
- ___ -NHG PVC Drain Gasket for No-Hub Pipe
- ___ -PRP Pipe Reducer for PVC Drain
- ___ -PRS Pipe Reducer for Stainless Steel Drain
- ___ -SDL Stainless Steel Drain with Dome Strainer, Lint Basket and Locking Nut
- ___ -SF Service Faucet
- ___ -WG Wall Guard #20 Gage Type 304 Stainless Steel (2 Panels-Indicate Size)





Service Sink / Mop Sink Faucets

B-0665-BSTR

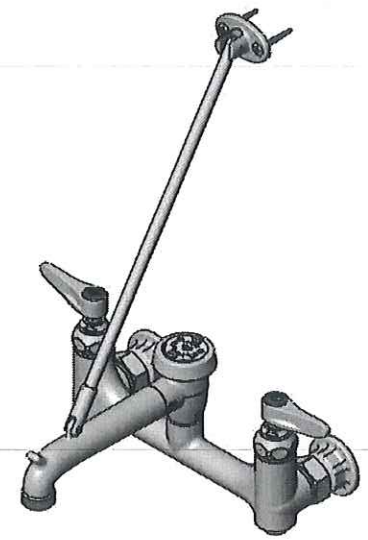
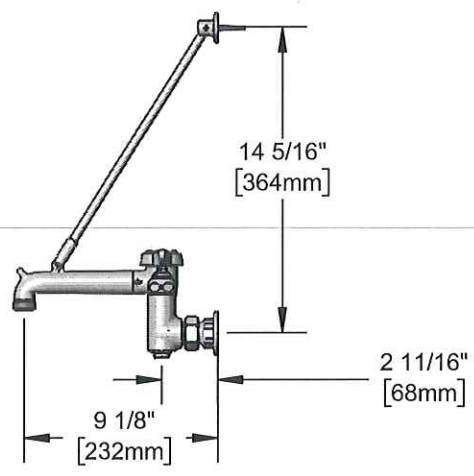
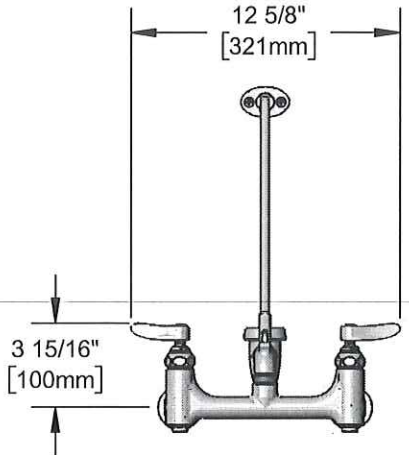
TAG:

Service Sink Faucet

Architect/Engineering Specifications:

8" wall mount mixing faucet with rough chrome plated brass body, rough chrome plated brass spout with vacuum breaker, pail hook and garden hose male outlet, compression cartridges with spring checks, lever handles, 1/2" NPT female inlets, built-in service stops in body and upper support rod. Certified to ASME A112.18.1/CSA B125.1 NSF 61-Section 9, NSF 372 and ASSE 1001. Meets ADA ANSI/ICC A117.1 requirements.

Job Name _____
 Model Specified _____ Quantity _____
 Variations Specified _____
 Date _____



Features & Benefits:

- 8" Wall mount mixing faucet with rough chrome plated brass body
- Vacuum breaker spout with pail hook & 3/4" garden hose outlet
- Quarter-turn Eterna compression cartridges with spring checks to prevent cross flow of water
- Lever handles with color coded indexes
- 1/2" NPT female eccentric inlets with Ø 2" flanges
- Adjustable centers from 7 3/4" to 8 1/4"
- Built-in service stops in body
- Upper support rod
- Material: Rough chrome plated brass body & spout and chrome plated metal handles

Product Compliance:

- ASME A112.18.1 / CSA B125.1
- NSF 61 - Section 9
- NSF 372 (Low Lead Content)
- ANSI A117.1 (ADA)
- ASSE 1001 (VB)

Warranty: One Year (Limited)

Performance Data:

- Pressure: 20 - 125 psi
- Temperature: 40°F - 140°F
- Flow Rate: 12.96 GPM @ 60 psi



Optional Handles

- 4" Wrist Action
- Lever (Standard)
- 4-Arm

Optional Cartridges With Checks

- Quarter-Turn Cerama w/ Check Valve
- Quarter-Turn Eterna w/ Spring Check (Standard)



T&S BRASS AND BRONZE WORKS, INC.



• 2 Saddleback Cove • Travelers Rest, SC 29690
 Ph 800-476-4103 • Fax 864-834-3518
 • Simi Valley, CA • Ph 800-423-0150 • www.tsbrass.com

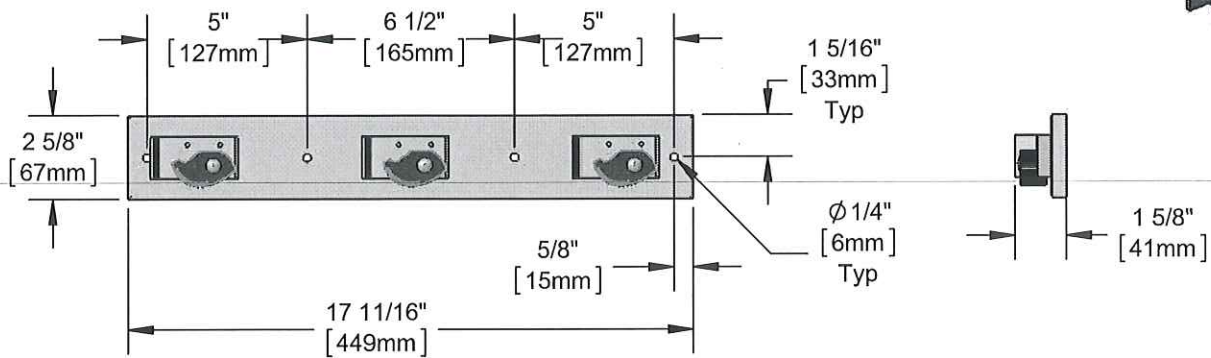
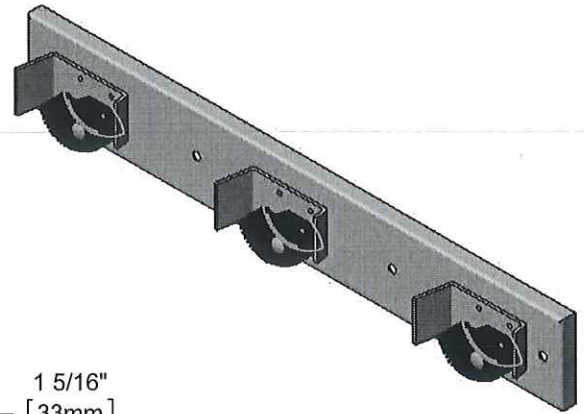
Date: 11/19/19



Architect/Engineering Specifications:

17 11/16" long stainless steel mop hanger with three (3) spring-loaded rubber grips.

Job Name _____
 Model Specified _____ Quantity _____
 Variations Specified _____
 Date _____



Features & Benefits:

- Stainless steel mop hanger
- Three (3) spring-loaded rubber grips
- 17 11/16" long by 2 5/8" wide
- (4) Mounting screws included
- Material: Stainless steel body & rubber grips

Product Compliance:

- N/A

Warranty: One Year (Limited)

Performance Data:

- N/A

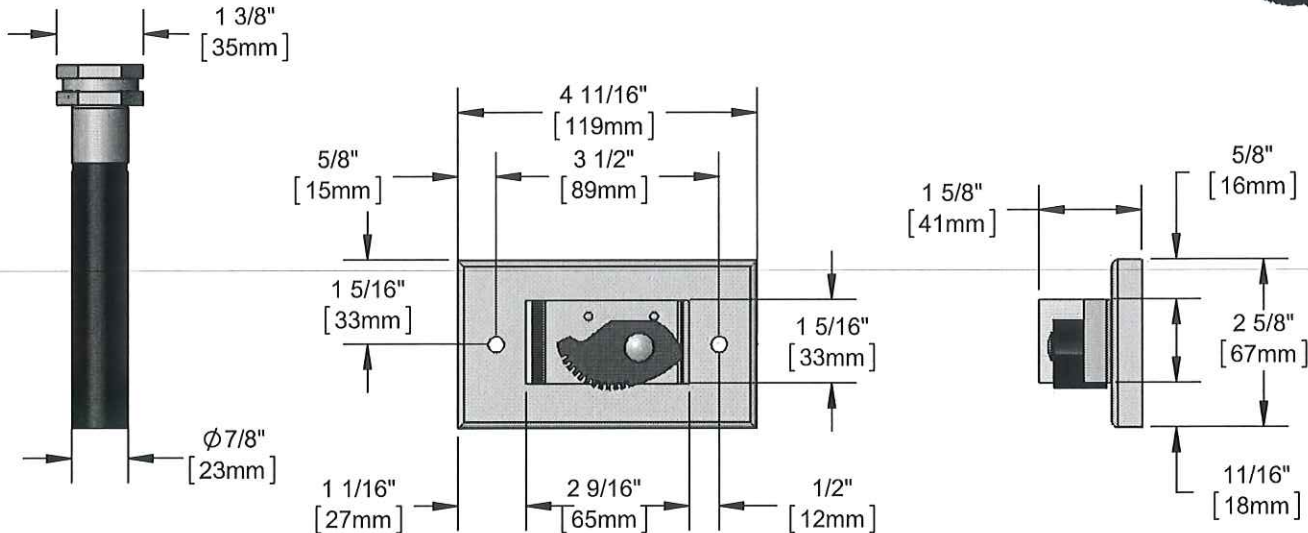
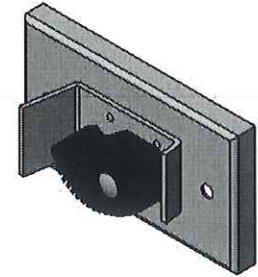




Architect/Engineering Specifications:

Single stainless steel hose bracket with spring-loaded rubber grip. 30" rubber hose with plain end outlet and 3/4" garden hose female inlet

Job Name _____
 Model Specified _____ Quantity _____
 Variations Specified _____
 Date _____



Features & Benefits:

- Stainless steel hose bracket
- One (1) spring-loaded Rubber grip
- 4 11/16" long by 2 5/8" wide
- 30" rubber hose w plain end outlet & 3/4" garden hose female inlet
- (2) Mounting screws included
- Material: Stainless steel body, rubber grip & hose

Product Compliance:

- N/A

Warranty: One Year (Limited)

Performance Data:

- N/A



Winsupply Product Information

Residential Plumbing > Kitchen & Bar Sinks > Kitchen Sink Parts & Accessories

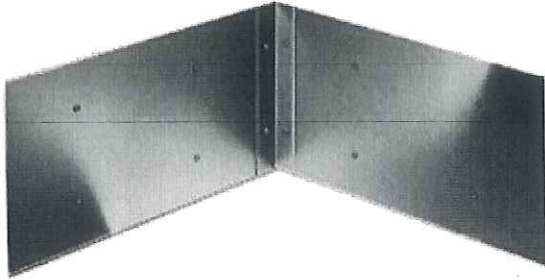
HELP IMPROVE THIS PRODUCT INFO

Splash Catcher 24 x 24 x 12 in. 304 Stainless Steel 2-Panel Backsplash

STERN-WILLIAMS

Model #:

Item #: 1507BP224



Features:

- Back splash catcher panels of 20 gauge type 304 stainless steel
- Channel water in to the mop sink, protecting the face of the wallboard against splashing, and protecting the raw lower edge against seepage
- Cover and protect the seam taped corners, preventing loosening and curling of seam tape

Product Description

The 12 in. high panels channel water into the basin, cover the face and lower edges of the wallboard, and protect against worker carelessness.

- Back splash catcher panels of 20 gauge type 304 stainless steel
- Channel water in to the mop sink, protecting the face of the wallboard against splashing, and protecting the raw lower edge against seepage
- Cover and protect the seam taped corners, preventing loosening and curling of seam tape
- Protect wallboard against the impact of equipment and the carelessness of maintenance workers

Product Specifications

Catalog Number	
Collection	Splash Catcher
For Use With	Stern-Williams Service Sink
Height	12 in
Length	24 in
Material	304 Stainless Steel
Product Type	2-Panel Backsplash
Weight	1
Width	24 in

S-1
ELKAY ELUHAD141855 ADA UNDERMOUNT
SINK
DELTA 100-DST FAUCET
14T STRAINER
COMPRESSION STOPS

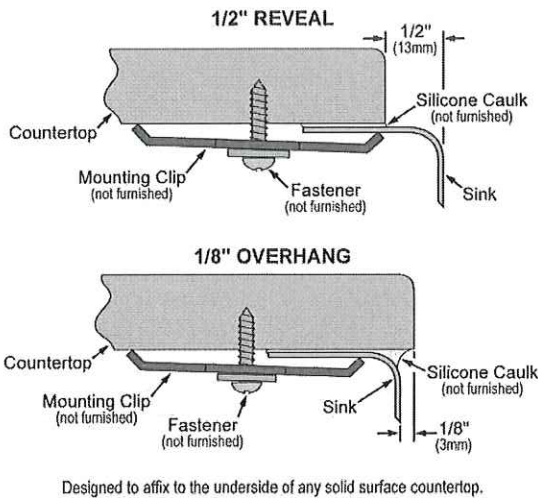
PRODUCT SPECIFICATIONS

Lustertone® Classic Stainless Steel, 16-1/2" x 20-1/2" x 5-3/8" Single Bowl Undermount ADA Sink. Sink is manufactured from 18 gauge 304 Stainless Steel with a Lustrous Satin finish, Rear Center drain placement, and Bottom only pads.

Installation Type:	Undermount
Material:	304 Stainless Steel
Finish:	Lustrous Satin
Gauge:	18
Sound Deadening:	Bottom only pads
Number of Bowls:	1
Sink Dimensions:	16-1/2" x 20-1/2" x 5-3/8"
Bowl 1 Dimensions:	14" x 18" x 5-3/8"
Drain Size:	3-1/2" (89mm)
Drain Location:	Rear Center
Minimum Cabinet Size:	21"
Mounting Hardware:	Undermount brackets sold separately
Template Included:	Yes
Cutout Template #:	1000001307

Template is available for download at elkay.com. CAD software will be required to open the template.

Installation Profile:



A Century of Tradition and Quality. For more than 100 years, Elkay has been making innovative products and providing exceptional customer care. We take pride in offering plumbing products that make life easier, inspire change and leave the world a better place.



Product Compliance: ADA & ICC A117.1
ASME A112.19.3/CSA B45.4



Sinks are listed by IAPMO® as meeting the applicable requirements of the Uniform Plumbing Code®, International Plumbing Code®, and National Plumbing Code of Canada.

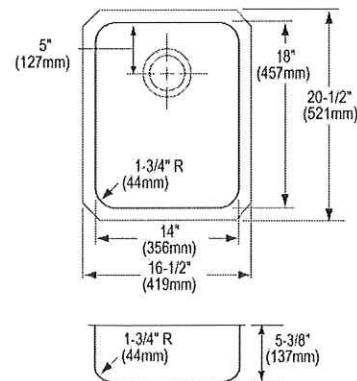


Complies with ADA & ICC A117.1 accessibility requirements when installed according to the requirements outlined in these standards.

[Clean and Care Manual \(PDF\)](#)

[Installation Instructions \(PDF\) - 1000002045](#)

[Limited Lifetime Warranty \(PDF\)](#)



PART: _____ QTY: _____

PROJECT: _____

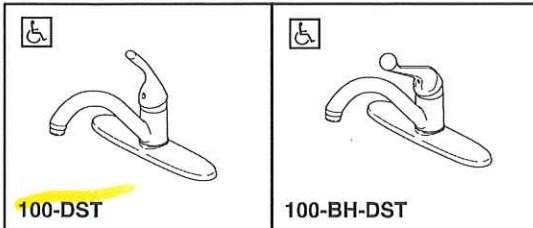
CONTACT: _____

DATE: _____

NOTES: _____

APPROVAL: _____

In keeping with our policy of continuing product improvement, Elkay reserves the right to change product specifications without notice. Please visit elkay.com for the most current version of Elkay product specification sheets. This specification describes an Elkay product with design, quality, and functional benefits to the user. When making a comparison of other producers' offerings, be certain these features are not overlooked. Latest version of the spec sheet available: https://www.elkayfiles.com/spec-sheets/ELUHAD141855_spec.pdf

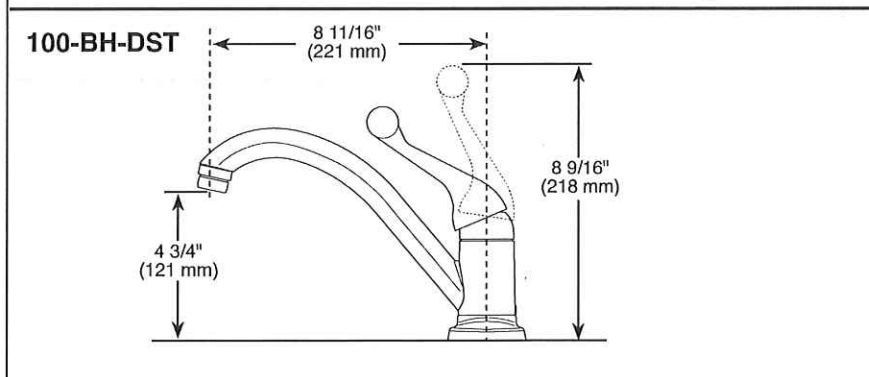
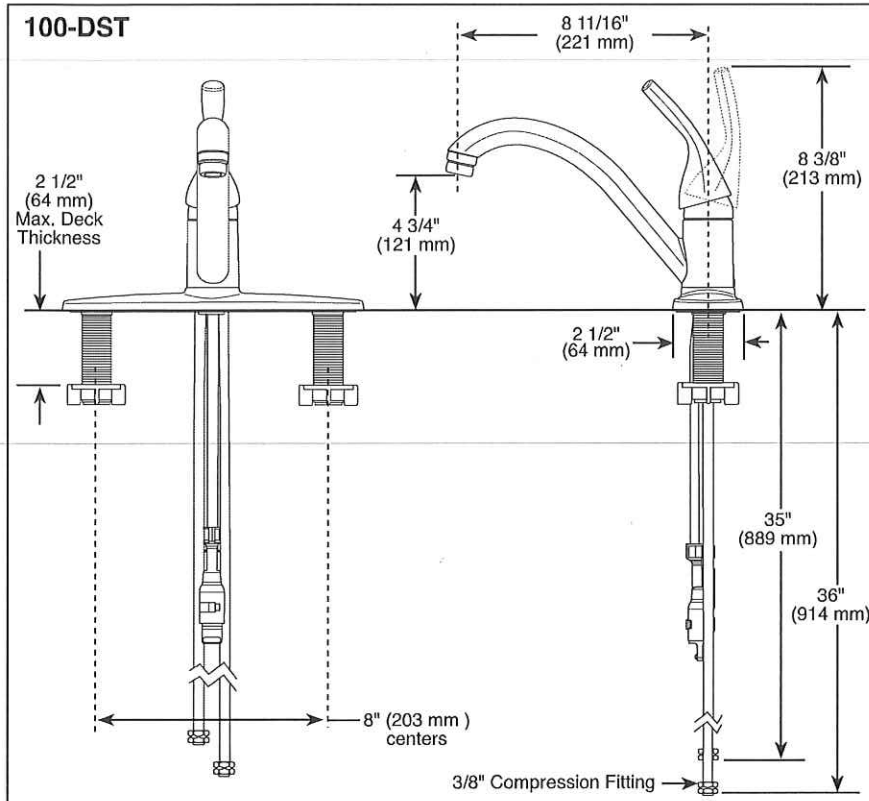


KITCHEN FAUCETS

- Single Handle Deck Mount
- 3 and 4 Hole Sink Applications
- DIAMOND Seal® Technology
- Integrated Supply Tubes

Submitted Model No.: _____

Specific Features: _____



STANDARD SPECIFICATIONS:

- 8 11/16" (221 mm) long spout swings 180°.
- Lever handle shall return to neutral position when faucet is turned off.
- Control mechanism shall be the diamond coated ceramic cartridge.
- 3/8" O.D. straight, staggered pex supply tubes- 35" (889 mm) and 36" (914 mm) long.
- Standard 3/8" (10 mm) compression gasket fittings.
- Mounts on standard 1 3/8" (35 mm) +/- 1/8" (3 mm) diameter holes on 8" (203 mm) centers.
- Maximum 1.80 gpm @ 60 psi, 6.8 L/min @ 414 kPa

WARRANTY

- Lifetime limited warranty on parts (other than electronic parts and batteries) and finishes: or, for commercial users, for 5 years from date of purchase.
- 5 year limited warranty on electronic parts (other than batteries); or, for commercial users, for 1 year from the date of purchase. No warranty is provided on batteries.

COMPLIES WITH:

- ASME A112.18.1 / CSA B125.1
- Indicates compliance to ICC/ANSI A117.1
- Verified compliant with .25% weighted average Pb content regulations.



55 E. 111th Street, Indianapolis, Indiana 46280
 350 South Edgeware Road, St. Thomas, ON N5P 4L1
 © 2015 Masco Corporation of Indiana

Delta reserves the right (1) to make changes in specifications and materials, and (2) to change or discontinue models, both without notice or obligation. Dimensions are for reference only. See current full-line price book or www.deltafaucet.com for finish options and product availability.

DSP-K-100-DST Rev. F

Winsupply Product Information

Commercial Plumbing > Commercial Rough Plumbing > Commercial Rough Plumbing
Installation Supplies > Water Supply Lines & Tubes

HELP IMPROVE THIS PRODUCT INFO

3/8 in. Comp x 1/2 in. Female 20 in. Braided Stainless Steel Faucet Connector

FLUIDMASTER

Model #: B1F20

Item #: 1425B1F20

Features:

- Faucet connector
- Highest bursting strength available
- Braided stainless steel



Product Documentation:



[Spec Sheet](#)



[Install Sheet](#)

Product Description

This braided stainless steel faucet connector connects a faucet to the wall water supply, and is designed not to burst even in the highest pressure conditions.

- Faucet connector
- Highest bursting strength available
- Braided stainless steel
- 5-year warranty
- Heavy duty nickel plated brass hex nuts are easy to grip
- 3/8 in. comp. x 1/2 in. f.i.p. fitting - 20 in. length
- Lead free and meeting all code requirements
- 5 year warranty

Product Specifications

APCO Part Number	651185
Adjustable	No
Catalog Number	B1F20
Color/Finish	Nickel
Connection Type	Compression
Height	1
Length	20.25
Material	Stainless Steel
Order Number	B1F20

SUBMITTAL SHEET

JOB NAME	ITEM TAG
JOB LOCATION	PART NUMBER
CONTRACTOR	DATE
ENGINEER APPROVAL	DATE

LEAD-FREE TRADITIONAL MULTI-TURN ANGLE-PATTERN CHROME SUPPLY STOPS T/S-581NL, T-581PNL, S-581ETNL T/S-581RBNL, T/S-581PBNL, T/S-583NL and T/S-581LSNL

Lead-free design is suitable for all no-lead potable water installations, in full compliance of all lead-free plumbing laws.

Compact, lead-free brass body is machined from a single piece of barstock, providing the highest level of durability and strength.

Thermoplastic stems (except sweat configurations) resist scale and debris build-up better than metallic stems, even in hard water conditions.

Each stop is individually packaged, preventing connection component loss and protecting the stop from contamination.

Available in eleven angle-pattern configurations, including compression, PEX, sweat, extended-tube and FNPT inlet connections.

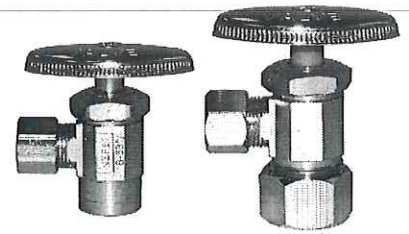
Available in chrome-plated, polished brass and rough-brass finishes.

Working Pressure, Non Shock (PSI)

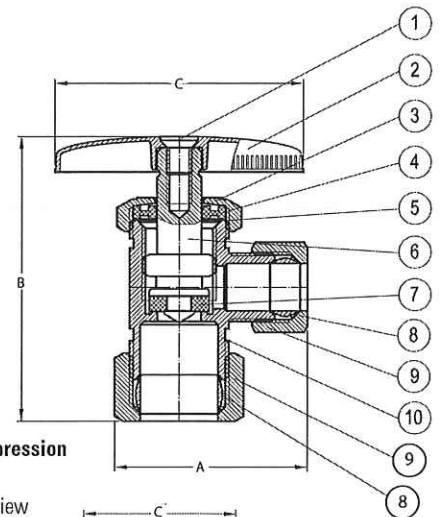
Cold working pressure (CWP): 110

Saturated steam (WSP): Not suitable for steam service

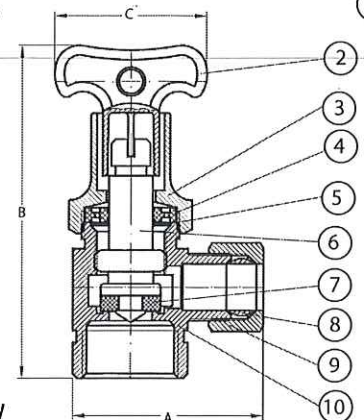
- Third-party tested and certified in compliance with U.S. Federal Public Law 111-380 (National lead-free plumbing law).
- Certified to ANSI/NSF Standard 61-G
- End connections conform to ANSI/ASME B1.20.1 (FNPT) ANSI/ASME B16.18 (CTS Solder) ASTM F1807 (PEX Barb)
- Manufactured in an ISO accredited facility



DIMENSIONS			
(Inlet x Outlet)	A	B(closed)	C
3/8" OD x 3/8" OD	1.43	2.24	2.02
5/8" OD x 3/8" OD**	1.57	2.31	2.02
5/8" OD x 1/4" OD	1.51	2.45	2.02
3/8" FNPT x 3/8" OD	1.46	2.08	2.02
1/2" FNPT x 3/8" OD*	1.57	1.97	2.02
1/2" CPVC x 3/8" OD	1.58	2.73	2.02
1/2" PEX x 3/8" OD	1.43	2.36	2.02
1/2" Tubing sweat x 3/8" OD*	1.44	1.99	2.02
1/2" Sweat extended-tube x 3/8" OD	2.40	6.69	2.02
1/2" FNPT x 1/2" OD	1.67	2.13	2.02
5/8" OD x 1/2" OD	1.58	2.43	2.02
1/2" Tubing sweat x 1/2" OD*	1.52	2.05	2.02
1/2" FNPT x 1/2" or 7/16" OD Slip-joint	1.56	2.07	2.02
5/8" OD x 1/2" or 7/16" OD Slip-joint	1.58	2.38	2.02
1/2" Tubing sweat x 1/2" or 7/16" OD Slip-joint	1.48	2.19	2.02
1/2" FNPT x 3/8" OD with lockshield and loose-key	1.58	2.76	1.24
5/8" OD x 3/8" OD with lockshield and loose-key	1.44	3.10	1.24
1/2" Tubing sweat x 3/8" OD with lockshield and loose key	1.44	2.75	1.24
*Also available in rough brass (unplated)			
**Also available in rough brass (unplated) and polished brass finishes			



Pictured O.D. compression T-581NL
cut-away view



Pictured Loose-key T-581LSNL
cut-away view

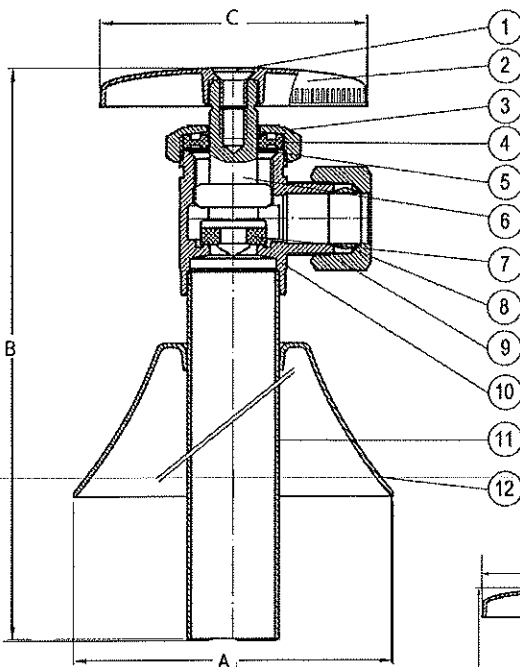
SUBMITTAL SHEET

JOB NAME	ITEM TAG
JOB LOCATION	PART NUMBER
CONTRACTOR	DATE
ENGINEER APPROVAL	DATE

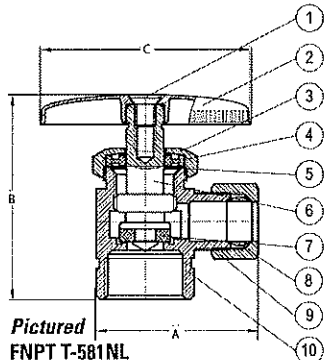
MATERIAL SPECIFICATION

PART	MATERIAL	SPECIFICATION
1 Handle screw	Chrome plated brass	JIS 3260 UNS C2600W
2 Handle (or loosekey)	Chrome plated die-cast brass (loosekey only: polished brass finish)	ASTM Z30A Copper alloy #858
3 Bonnet	Chrome plated forged brass	UNS Alloy C37700
4 Stem packing	EPDM rubber	Commercial grade, NSF approved
5 Anti-friction packing support washer	Stainless steel	AISI grade 304
6 Stem	Acetal copolymer (Loose-key and sweat configurations: CP lead-free forged brass)	Celcon® M90 resin (Loose-key and sweat configurations: UNS Alloy C46400)
7 Seat washer	EPDM rubber	Commercial grade, NSF approved
8 Compression ferrule	Lead-free forged brass*	UNS Alloy C46400
9 Compression nut	Chrome plated forged brass	UNS Alloy C37700
10 Body	Lead-free chrome plated forged brass*	UNS Alloy C46400
11 Extension tube (model S-581ETNL only)	Lead-free chrome plated brass	UNS Alloy C26000
12 Escutcheon (model S-581ETNL only)	Stainless steel	AISI grade 304
13 Adapter gasket (1/2" CPVC T-581NL only)	NBR (Buna-N) rubber	Commercial grade, NSF approved
14 CPVC tubing adapter (1/2" CPVC T-581NL only)	Virgin CPVC resin	ASTM D1784, Class 23447
15 Compression nut (1/2" CPVC T-581NL only)	Chrome plated forged brass	UNS Alloy C37700
16 Slip-joint gasket (model T/S-583NL only)	EPDM rubber	Commercial grade, NSF approved
17 Anti-friction washers (two) (model T/S-583NL only)	Lead-free brass	UNS Alloy C26000
18 Compression nut (model T/S-583NL only)	Chrome plated forged brass	UNS Alloy C37700

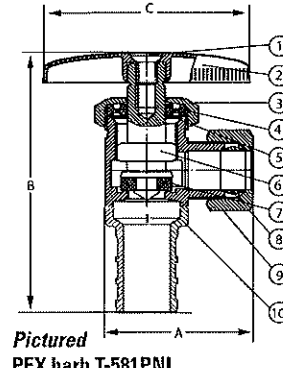
*rough brass (unplated) and polished brass configurations are also lead-free



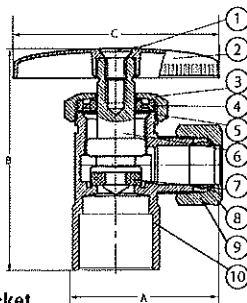
Pictured
5" extension tube
S-581ETNL
cut-away view



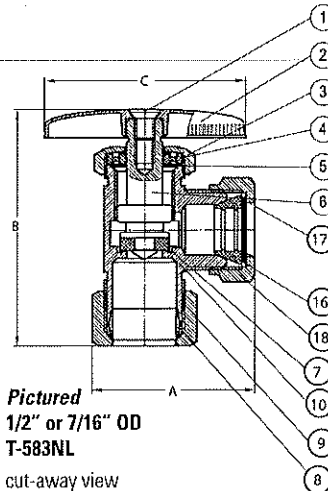
Pictured
FNPT T-581NL
cut-away view



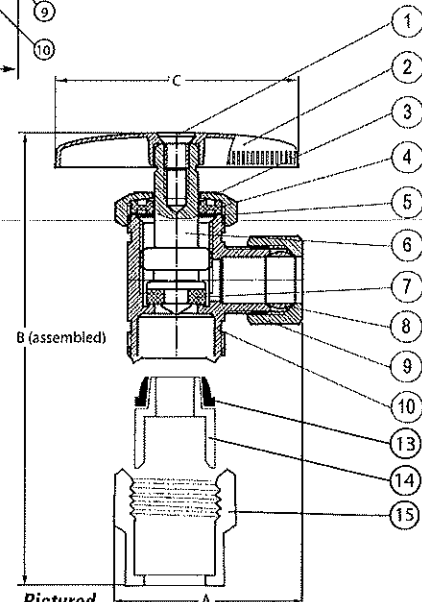
Pictured
PEX barb T-581PNL
cut-away view



Pictured
Tubing socket
S-581NL
cut-away view



Pictured
1/2" or 7/16" OD
T-583NL
cut-away view



Pictured
1/2" CPVC T-581NL
cut-away view

Winsupply Product Information

Residential Plumbing > Bar Faucets & Water Dispensers > Basket Strainers

HELP IMPROVE THIS PRODUCT INFO



Stainless Steel Sink Basket Strainer for Deep Cast Iron Sinks, Chrome, Case of 24

DEARBORN

Model #: 14T

Item #: 140114T

Features:

- Body is made from chrome-plated stainless steel
- Basket contains stainless steel stick post
- Neoprene rubber stopper

Product Documentation:



Product Description

This strainer is chrome-plated stainless steel. It has a stainless steel stick post and a neoprene stopper.

- Body is made from chrome-plated stainless steel
- Basket contains stainless steel stick post
- Neoprene rubber stopper
- Locking cup included
- 3-3/4 in. length
- For use on deep cast iron sinks

Product Specifications

Catalog Number	14T
Color/Finish	Chrome
For Use With	Deep Cast Iron Sinks
Height	2.75 in
Includes	Locking Cup, 4 IN Chrome-Plated Tailpiece
Length	3.375 in
Material	Stainless Steel
Order Number	14T
Product Type	Sink Basket Strainer
UPC	041193102140
Weight	0.75 lb.

WH-1
RE230LN6 LOWBOY HEATER
XT8 EXP TANK
QSU EXP TANK BRACKET
HOLRIGHT 50-SWHP PAN KIT
VR801 VAC RELIEF

Residential Lowboy Electric Water Heater

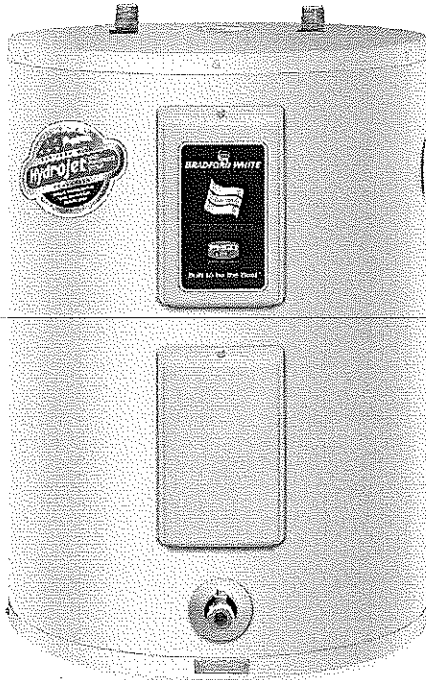
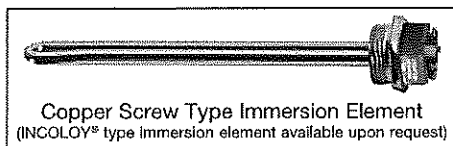


Photo is of
RE240LN6



The Lowboy Electric Models Feature:

- **Blanketed & Non-Blanketed Models Available**—Non-Blanketed models (RE120L6, RE230LN6, RE240LN6, RE250LN6) help to decrease overall installation time and are perfect for new construction applications. Blanketed models (RE130L6, RE230L6, & RE240L6) provide more installation flexibility and are ideal for replacement applications.
- **Low Restrictive Brass Drain Valve**—Durable tamper proof design.
- **Fully Automatic Thermostat Controls**—Fast acting surface-mount thermostat with high limit energy cut-off (manual reset) for safety.
- **Direct Heat Transfer with Immersed Elements**—Transfers heat directly and efficiently to the water. Screw-in style.
- **Factory-Installed Hydrojet® Total Performance System**—Sediment reducing device that also increases first hour delivery of hot water while minimizing temperature build-up in tank.
- **Vitraglas® Lining**—An exclusively engineered enamel formula that provides superior tank protection from the highly corrosive effects of hot water. This formula (Vitraglas®) is fused to the steel surface by firing at a temperature of over 1600°F (871°C).
- **Insulation System**—Non-CFC foam covers the sides and top of the tank, reducing heat loss. This results in less energy consumption, improved efficiencies, and jacket rigidity. Blanketed models additionally use a supplied flexible fiberglass insulation blanket.
- **Water Connections**—3/4" (19mm) NPT factory-installed true dielectric fittings extend water heater life and simplify water line connections.
- **Factory-Installed Heat Traps**—Design incorporates a flexible disk that reduces heat loss in piping and eliminates the potential for noise generation. (Except for RE120L6).
- **Protective Magnesium Anode Rod**—Provides added protection against corrosion for long-term, trouble-free service.
- **Non-Simultaneous Operation**—Non-Simultaneous operation indicates only one heating element will operate at a time and is standard construction from the factory. Simultaneous Operation indicates both heating elements have the potential to operate at the same time and is available as an option (must be specified when ordering).
- **Voltages Available**—120V, 208V, 240V, 277V, 480V.
- **Single Phase or Three Phase Operation Available**—120V & 277V may only be wired for single phase operation.
- **T&P Relief Valve**—Installed, side T&P is standard. Optional top T&P location is available.
- **Design evaluated by ETL in accordance with Part 280.707(d) of HUD Mobile Home Construction and Safety Standards for Energy Efficiency.**



6 or 10-Year Limited Tank Warranties / 6 or 10-Year Limited Warranty on Component Parts.

For more information on warranty, please visit www.bradfordwhite.com

For products installed in USA, Canada, and Puerto Rico. Some states do not allow limitations on warranties. See complete copy of the warranty included with the heater.

MANUFACTURED UNDER ONE OR MORE OF THE FOLLOWING U.S. PATENTS: 5,682,666; 7,634,976; 5,660,165; 5,954,492; 6,056,542; 6,935,280; 5,372,185; 5,485,879; 5,574,822; 7,971,560; 7,992,526; 6,684,821; 7,334,419; 7,866,168; 7,270,087; 7,007,748; 5,596,952; 6,142,216; 7,899,026; 5,341,770; 7,337,517; 7,665,211; 7,665,210; 7,063,132; 7,063,133; 7,559,293; 7,900,589; 5,943,984; 8,082,888; 5,988,117; 7,621,238; 7,650,859; 5,761,379; 7,409,925; 5,277,171; 8,146,772; 7,458,341; 2,262,174. OTHER U.S. AND FOREIGN PATENT APPLICATIONS PENDING. CURRENT CANADIAN PATENTS: 2,314,845; 2,504,824; 2,108,186; 2,143,031; 2,409,271; 2,548,958; 2,112,515; 2,476,685; 2,239,007; 2,092,105; 2,107,012. Vitraglas® and Hydrojet® are registered trademarks of Bradford White® Corporation.

Residential Electric Water Heater

Lowboy Models

C.E.C. Listed

Model Number	Nominal Gal. Capacity		DOE Rated Storage Volume (Gal.)	First Hour Rating (Gal.)	Uniform Energy Factor	Recovery at 90°F Rise*		A Floor to Top of Heater in.	B Jacket Dia. in.	C Floor to Water Conn. in.	D C/L of Water Conn. in.	E Floor to T&P Conn. in.	G Water Conn. NPT in.	Approx. Shipping Weight lbs.
	U.S. Gal.	Imp. Gal.				U.S. GPH*	Imp. GPH*							
RE120L6†	19	16	—	—	—	21	18	24 7/16	18	25 1/16	8	18 15/16 / 25 1/16	3/4	65
RE130L6**	28	23	26	42	0.92	21	18	29 9/16	20	31 5/16	8	23 9/16 / 31 5/16	3/4	99
RE230LN6	28	23	26	41	0.92	21	18	29 9/16	23	31 5/16	8	23 9/16 / 31 5/16	3/4	102
RE230L6**	28	23	26	42	0.92	21	18	29 9/16	22	31 13/16	8	22 13/16 / 31 13/16	3/4	108
RE240LN6	37	31	34	45	0.92	21	18	32 1/16	24 1/2	34 5/16	8	23 9/16 / 34 5/16	3/4	126
RE240L6**	38	32	35	49	0.91	21	18	32 3/8	24	34 5/8	8	23 9/16 / 34 5/8	3/4	140
RE250LN6	45	37	43	61	0.92	21	18	33 5/16	26	36 1/16	8	24 5/16 / 36 1/16	3/4	173

Model Number	Nominal Liter Capacity	DOE Rated Storage Volume (Liters)	First Hour Rating (Liters)	Uniform Energy Factor	Recovery at 50°C Rise*	A Floor to Top of Heater mm.	B Jacket Dia. mm.	C Floor to Water Conn. mm.	D C/L of Water Conn. mm.	E Floor to T&P Conn. mm.	G Water Conn. NPT mm.	Approx. Shipping Weight kg.
RE120L6†	72	—	—	—	80	621	457	652	203	481 / 652	19	29
RE130L6**	106	98	159	0.92	80	751	508	795	203	598 / 795	19	45
RE230LN6	106	98	155	0.92	80	751	584	795	203	598 / 795	19	46
RE230L6**	106	98	159	0.92	80	751	559	808	203	579 / 808	19	49
RE240LN6	140	129	171	0.92	80	814	622	872	203	598 / 872	19	57
RE240L6**	144	132	186	0.91	80	822	610	879	203	598 / 879	19	64
RE250LN6	170	163	231	0.92	80	846	660	916	203	618 / 916	19	78

**Models include supplied insulation blanket (2" thick). Dimensions in charts above do not include blanket thickness.

For 10 year models, change suffix "6" to "10".

* Based on 4500W/4500W, Non-Simultaneous operation.

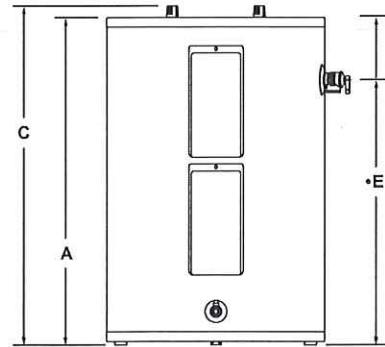
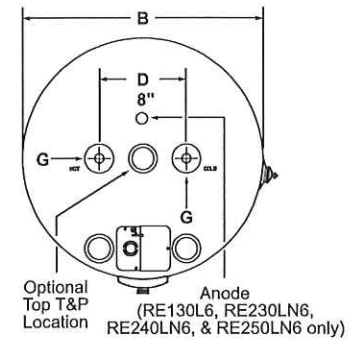
All models available with optional top T&P location (Plugged).

† Exempt from ASHRAE 90.1b (current standard). Uniform Energy Factor and First Hour Rating is based on the latest AHRI directory listings.

Wattage Limitations for Simultaneous Operation	Voltage				
	120V	208V	240V	277V	480V
1500W / 1500W	yes	yes	yes	yes	yes
2000W / 2000W	no	yes	yes	yes	yes
2500W / 2500W	no	yes	yes	yes	yes
3000W / 3000W	no	yes	yes	yes	yes
3500W / 3500W	no	yes	yes	no	no
4000W / 4000W	no	•yes	yes	yes	yes
4500W / 4500W	no	yes	yes	•yes	•yes
5000W / 5000W	no	•yes	yes	•yes	•yes
5500W / 5500W	no	no	•yes	no	no
6000W / 6000W	no	no	no	•yes	•yes

Wattage Limitations for Non-Simultaneous Operation	Voltage				
	120V	208V	240V	277V	480V
1500W / 1500W	yes	yes	yes	yes	yes
2000W / 2000W	yes	yes	yes	yes	yes
2500W / 2500W	yes	yes	yes	yes	yes
3000W / 3000W	yes	yes	yes	yes	yes
3500W / 3500W	no	yes	yes	no	no
4000W / 4000W	no	•yes	yes	yes	yes
4500W / 4500W	no	yes	yes	•yes	•yes
5000W / 5000W	no	•yes	yes	•yes	•yes
5500W / 5500W	no	•yes	•yes	no	no
6000W / 6000W	no	•yes	yes	•yes	•yes

• = Not available on RE130L and RE230LN6.



• "E" dimension listed as side/top.

Wattage	Recovery ▲ GPH Temperature Rise °F				
	60	80	90	100	120
1500W	10	8	7	6	5
2000W	14	10	9	8	7
2500W	17	13	11	10	9
3000W	21	15	14	12	10
3500W	24	18	16	14	12
4000W	28	21	18	16	14
4500W	31	23	21	19	15
5000W	34	26	23	21	17
5500W	38	29	25	23	19
6000W	41	31	28	25	21

▲ (GPH based on Non-Simultaneous operation, when Simultaneous operation the GPH will approximately double.)

General:

Meets NAECA Requirements.

All models ETL listed. These heaters are wired inter-locking (Non-Simultaneous, Single Phase) 240V with two 4500W elements, unless otherwise specified. All water and electrical connections are 3/4" (19mm) NPT. All models certified at 300 PSI test pressure (2068 kPa) and 150 PSI working pressure (1034 kPa). Dimensions and specifications subject to change without notice in accordance with our policy of continuous product improvement.



For field service, contact your professional installer or local Bradford White sales representative.

Sales 800-523-2931 ■ Fax 215-641-1612

Technical Support 800-334-3393 ■ Email techserv@bradfordwhite.com

Warranty 800-531-2111 ■ Email warranty@bradfordwhite.com

International: Telephone 1-215-641-9400 ■ Email international@bradfordwhite.com / www.bradfordwhite.com

Built to be the Best™



Model XT

Water Thermal Expansion Tank

Application

Designed for installation on potable water lines between the backflow preventer or pressure reducing valve and the water heater to protect against water thermal expansion. When system pressure increases, water enters the tank's polypropylene lined water chamber which expands a diaphragm into a pre-charged air chamber, keeping system pressure below the relief valve setting.

Standards Compliance

- IAPMO® Listed
- Water Quality Association - Certified to NSF/ANSI 61 & 372*
*(0.25% MAX. WEIGHTED AVERAGE LEAD CONTENT)

Materials

Outer shell	Carbon Steel
Coatings	Epoxy finish (outer shell)
Connection	Stainless Steel
Liner	Polypropylene
Diaphragm	Butyl Rubber

Features

Sizes (liters): 8, 18, 35

Maximum working water pressure:	150 PSI
End connections	Threaded NPT ANSI B1.20.1
Factory Pre-charge (adjustable)	40 PSI

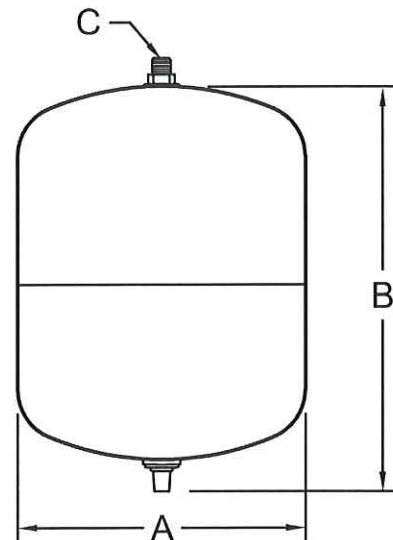
Note: Model XT tanks are certified to NSF 61 domestic hot, but are suitable for temperatures up to 200° F.



NSF/ANSI 61
NSF/ANSI 372

Accessories

- NR3XL - Water pressure reducing valve
- TP1100A - Temperature & pressure relief valve
- P1000AXL - Pressure relief valve
- P3000CI - Pressure relief valve
- P3000BR - Pressure relief valve
- 975XL2 - Reduced pressure backflow preventer
- VR10XL - Vacuum relief valve



Dimensions & Weights (do not include pkg.)

TANK DIMENSIONS AND CAPACITIES								
MODEL NUMBER	MAXIMUM WORKING PRESSURE psi	TANK VOLUME (gallons)	MAXIMUM ACCEPTANCE VOLUME (gallons)	FACTORY PRE-CHARGE psi	DIMENSIONS			WEIGHT lbs.
					DIAMETER A	HEIGHT B	SYSTEM CONNECTION C	
XT-8	150	2.1	1.0	40	8	10 1/2	3/4NPT	5.5
XT-18	150	4.8	2.4	40	11	13 1/2	3/4 NPT	10
XT-35	150	9.0	4.25	40	12 1/2	17 1/4	3/4 NPT	15.5

Zurn Industries, LLC | Wilkins
1747 Commerce Way, Paso Robles, CA U.S.A. 93446 Ph. 855-663-9876, Fax 805-238-5766
In Canada | Zurn Industries Limited
3544 Nashua Drive, Mississauga, Ontario L4V 1L2 Ph. 905-405-8272, Fax 905-405-1292


www.zurn.com

Rev. A
Date: 6/13
Document No. WXT-XT
Product No. Model XT

Flow Characteristics

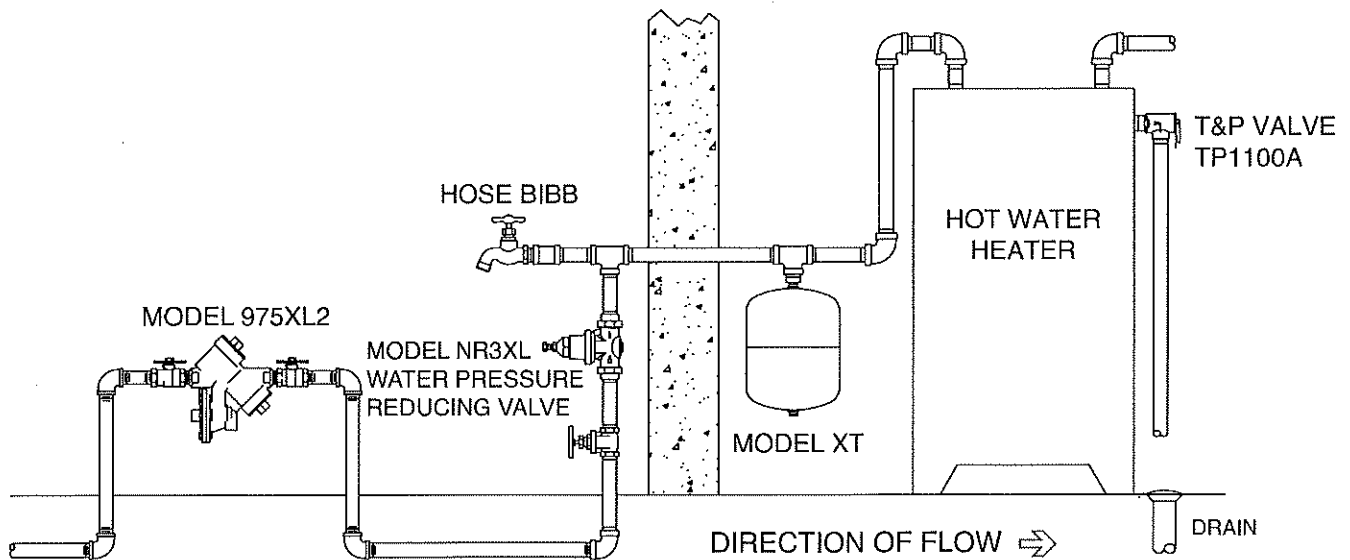
Sizing Chart

Supply Pressure (psig)	WATER HEATER CAPACITY (U.S. gal)										
	20	30	40	50	60	80	100	120	150	175	200
40	8	8	8	8	8	18	18	18	35	35	35
50	8	8	8	8	8	18	18	18	35	35	35
55	8	8	8	8	8	18	18	18	35	35	35
60	8	8	8	8	18	18	18	18	35	35	35
70	8	8	8	18	18	18	18	35	35	35	35
80	8	8	18	18	18	18	35	35	35	35	35
90	8	18	18	18	18	35	35	35	35		
100	18	18	18	18	35	35	35				
110	18	18	35	35	35						
120	35	35	35								

 = See WXTP Spec Sheet
 Based upon 100° temperature rise (40°F to 140°F)

Typical Installation

Local codes shall govern installation requirements. Unless otherwise specified, the assembly shall be mounted on the cold water supply and at least 18" from the cold water inlet to the heater. **Note:** Pre-charge should be adjusted to match incoming water pressure (adjust pre-charge with no water pressure in tank). Not to exceed 80psi.



Model XT Installation

Specifications

The Water Thermal Expansion Tank outer shell shall be carbon steel. The diaphragm shall be FDA approved butyl rubber and the water chamber shall be polypropylene lined to preclude water contact with the shell interior. The assembly shall have a NPT Stainless steel system connection and a 0.301"-32 charging valve connection (standard tire valve) to facilitate the on-site charging of the tank to meet system requirements. The tank shall be IAPMO® listed and certified to NSF/ANSI 61& 372. The Water Thermal Expansion Tank shall be a ZURN WILKINS Model XT.

Winsupply Product Information

Water Heaters > Water Heater Parts & Accessories

HELP IMPROVE THIS PRODUCT INFO

QuickStrap Stainless Steel Expansion Tank Mounting Bracket for Water Heater

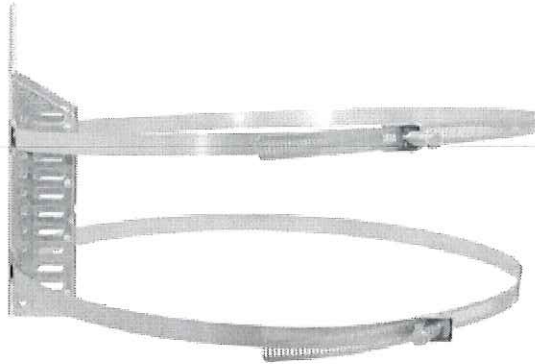
HOLDRITE

Model #: QS-U

Item #: 0576QSU

Features:

- Secures expansion tank to wall and takes weight load off pipes
- Galvanized and stainless steel construction
- Supports tanks up to 13 in. in diameter



Product Description

QuickStrap Stainless Steel Expansion Tank Mounting Bracket for Water Heater

- Secures expansion tank to wall and takes weight load off pipes
- Galvanized and stainless steel construction
- Supports tanks up to 13 in. in diameter

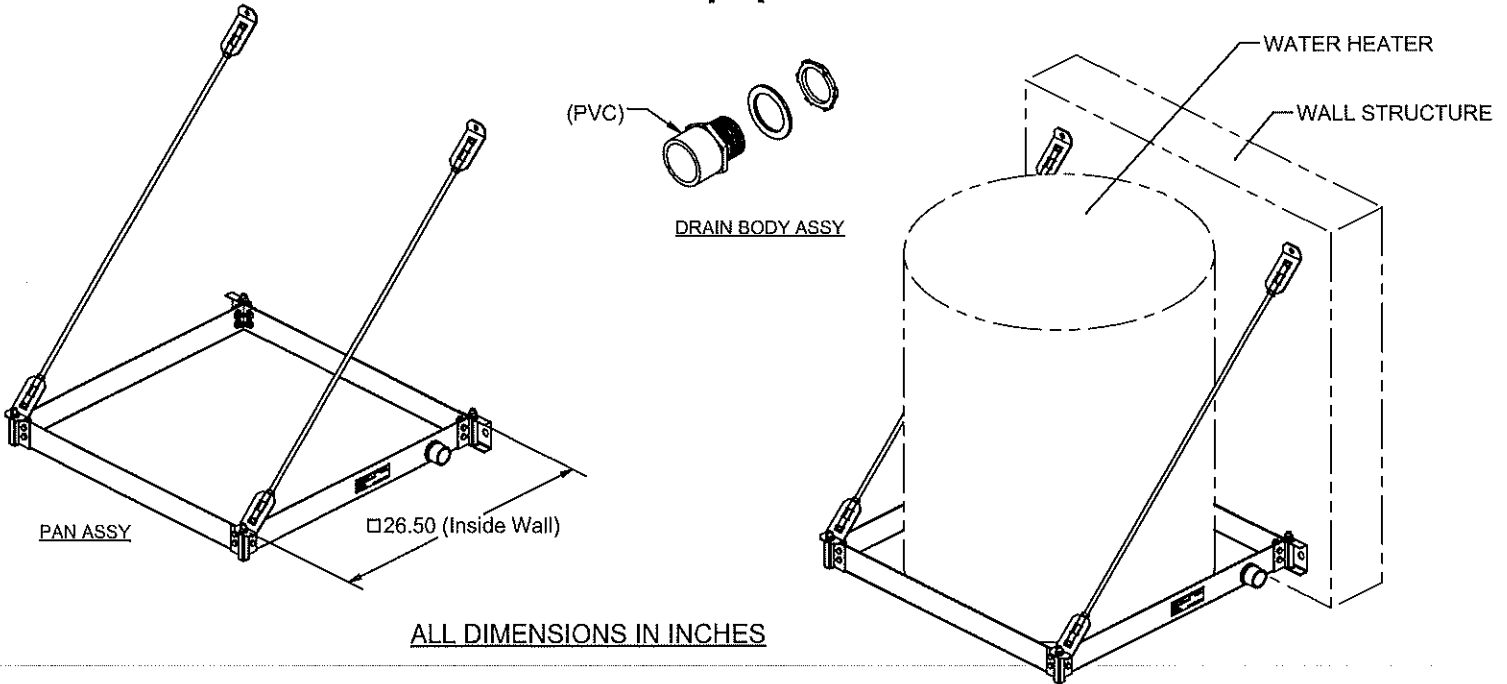
Product Specifications

Additional Details	Load Rating: 70 lb, Thickness: 0.25 in, Includes: (1) Wall Bracket, Bands (2X) and #8 x 1.50 in Long Sheet Metal Screws (2X)
Catalog Number	QS-U
For Use With	Up to 5 gal and 13 in Diameter Water Heater
Material	Stainless Steel Strap, 16 ga Galvanized Steel Bracket, Steel Screw
Order Number	QS-U
Product Type	Expansion Tank Mounting Bracket
UPC	671119000450
Weight	1

PRODUCT SPECIFICATION DRAWING

QUICK STAND™ #50-SWHP-W

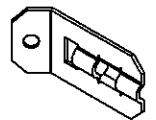
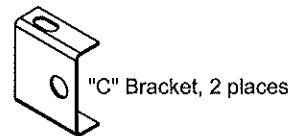
Wall Mounted Equipment Platform



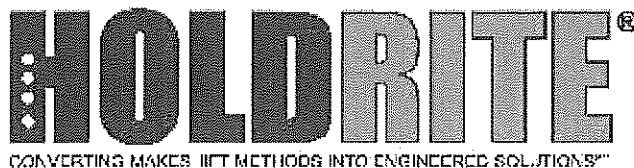
The Wall Mounted Equipment Platform is engineered to support water heaters up to 50 U.S. gallons (or other equipment up to 600 pounds total weight) mounted to a wall. This item also serves as a drain pan. See Installation Instructions for detail. See Installation Instructions for detail.

Product Information:

- Material:
 - Pan: 12 gage CRS, galvanized
 - Corner Brackets (4): 14 gage CRS, galvanized
 - C-Brackets (2): 16 gage CRS, galvanized
 - 45° Brackets (4): 12 gage, CRS, galvanized
 - Threaded Rod (2): Low carbon steel, zinc plated, 3/8" x 37.10" long
- Wide platform allows water heaters up to 26-1/2" diameter
- Watertight corners and drain fittings eliminate need for additional drain pan
- Static load rating 600 pounds with 2X safety factor (depending on structural anchorage)
- Professional Engineer stamped documentation available
- Includes PVC drain body 1" MIPT x 1" FS
- Galvanized steel construction
- Suspends with user supplied 3/8" hardware to mount to wall, 4 places
- Installation instructions for mounting to concrete or framed wall structure available
- Patent Pending



THIS INFORMATION IS PROPRIETARY TO HOLDRITE AND IS SUBJECT TO CHANGE WITHOUT NOTICE. IT MAY NOT BE REPRODUCED IN PART OR WHOLE WITHOUT WRITTEN AUTHORIZATION.



800-321-0316 OR 760-744-6944 / FAX: 760-744-0507 / WWW.HOLDRITE.COM
spec_50-SWHP-W_RevG

Product Submittal	
Job Name:	
Date:	
Part Number:	Qty:
Architect / Owner:	
Contractor:	
Notes:	

Winsupply Product Information

Valves > Pressure Regulator Valves > Relief Valves

HELP IMPROVE THIS PRODUCT INFO



3/4 in. Drilled Vent Vacuum Relief Valve with Dust Cover, Lead Free

SHARKBITE

Model #: 22398-0000LF

Item #: 0769223980000LF

Features:

- Prevents internal vacuum conditions
- Guards against siphonage, burnt out heaters and collapsing of storage tanks and negative pressure
- Opens quickly in emergency situations on a one inch mercury vacuum

Product Documentation:



Product Description

The VR-801 vacuum relief valve is designed to protect hot water supply systems and pressure vessels against negative pressure. It is especially well suited for many domestic and commercial systems. It works by preventing internal vacuum conditions that could result in burned out heaters and/or collapsed storage tanks. Installed on the cold water supply line, the Cash Acme VR-801 closes tightly under pressure and opens at a 1 in. mercury vacuum. Atmosphere admitted to the system breaks the vacuum, preventing collapse of the storage tank.

- Prevents internal vacuum conditions
- Guards against siphonage, burnt out heaters and collapsing of storage tanks and negative pressure
- Opens quickly in emergency situations on a one inch mercury vacuum
- Every valve is tested for performance prior to shipping

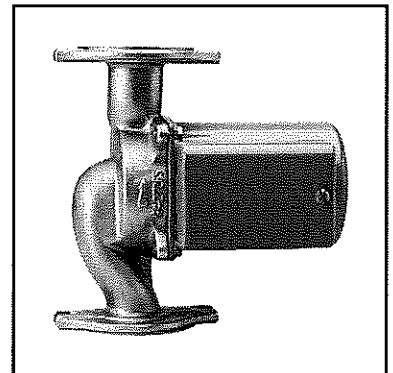
Product Specifications

Application	Commercial Hot Water Supply System, Pressure Vessels Against Negative Pressure
Catalog Number	22398-0000LF
Connection Type	MNPT x Vented
Height	2-1/2 in
Length	1-3/4 in
Material	Brass
Maximum Pressure Rating	200 PSI
Maximum Temperature Rating	+210 deg F
Order Number	22398-0000LF
Selling Size	3/4 in
Special Features	Lead-Free
Specifications Met	ANSI Z21.22, 4.4. Listed by CSA

HWCP-1
TACO 007SS CIRC PUMP
TIMER AND AQUASTAT

Model 007 Cartridge Circulator

The Taco 007 Cartridge Circulator is the most popular hydronic circulator sold today. With its field serviceable cartridge design, the compact 007 provides quiet, efficient operation and unmatched reliability. The self-lubricating, maintenance free design and flow characteristics make it the ideal hydronic circulator for a wide range of applications.



Stainless Steel



Low Lead
Compliant



Submittal Data Information Model 007 Cartridge Circulators

Submittal Data # 101-029
Supersedes: 06/01/11

Effective: 03/25/13

Features

- Standard High Capacity Output-Compact Design
- Quiet, Efficient Operation
- Direct Drive-Low Power Consumption
- Unique Replaceable Cartridge Design-Field Serviceable
- Self Lubricating
- No Mechanical Seal
- Unmatched Reliability-Maintenance Free
- Universal Flange to Flange Dimensions
- Cast Iron or Stainless Steel Construction

Materials of Construction

Casing (Volute):..... Cast Iron or Stainless Steel
Stator Housing:..... Steel
Cartridge:..... Stainless Steel
Impeller: Non-Metallic
Shaft:..... Ceramic
Bearings:..... Carbon
O-Ring & Gaskets:..... EPDM

Model Nomenclature

F - Cast Iron, Flanged
SF - Stainless Steel, Flanged

Performance Data

Flow Range: 0 – 23 GPM
Head Range: 0 – 10 Feet
Minimum Fluid Temperature: 40°F (4°C)
Maximum Fluid Temperature:
Cast Iron: 240°F (115°C)
Stainless Steel: 230°F (110°C)
Maximum Working Pressure: 125 psi
Connection Sizes: 3/4", 1", 1-1/4", 1-1/2" Flanged

Certifications & Listings

 **UL LISTED FOR INDOOR USE ONLY**

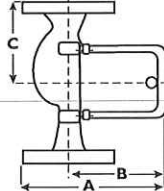
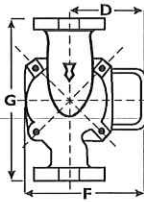
 **NSF Low-Lead Compliant**
Certified to NSF/ANSI 51

Application

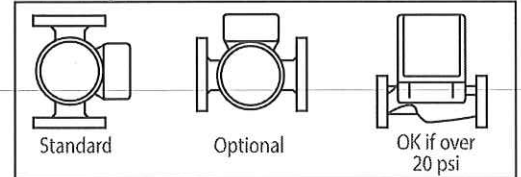
The Taco 007 is a cartridge style, maintenance free, wet-rotor, in-line, single stage circulator pump. It is designed for quiet operation in Hydronic heating, Radiant heating, Hydro-Air fan coils, Indirect water heaters, Chilled fresh water, and Domestic Water Recirculation systems. Available in Cast Iron or Stainless Steel construction with universal flanged connections. The unique replaceable cartridge contains all of the moving parts and allows the circulator to be easily serviced instead of replacing the entire unit. Ideal for a wide range of applications.

Pump Dimensions & Weights

Models	Casing	Flange Type*	A		B		C		D		F		G		Ship Wt.	
			in.	mm	in.	mm	in.	mm	in.	mm	in.	mm	in.	mm	lbs.	Kg
007-F5	Cast Iron	S	6-3/8	162	4-1/2	114	3-3/16	81	3-15/16	75	4-3/4	121	6-3/8	162	8.0	3.6
007-F5-5	Cast Iron	R	6-1/2	152	4-1/2	114	3-3/16	81	3-15/16	75	4-3/4	121	6-3/8	162	8.0	3.6
007-SF5	St. Steel	S	6-3/8	162	4-1/2	114	3-3/16	81	3-15/16	75	4-3/4	121	6-3/8	162	7.0	3.2



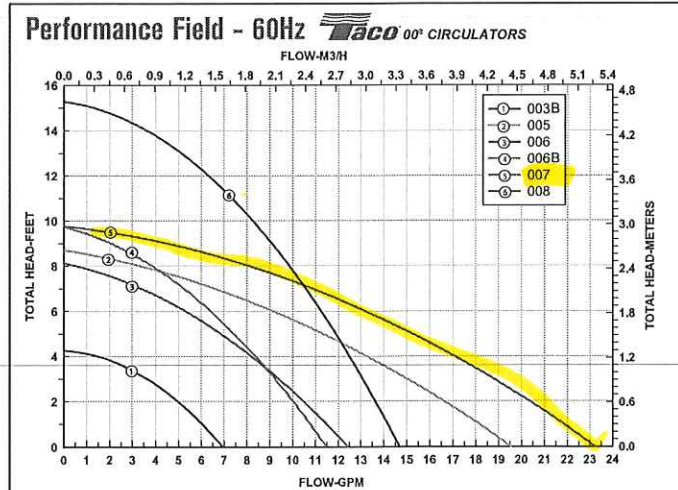
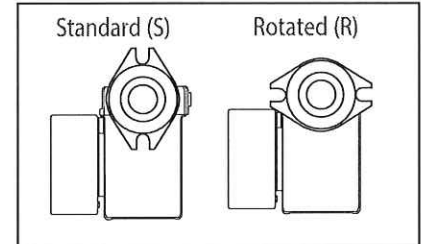
Mounting Positions



Electrical Data

Model	Volts	Hz	Ph	Amps	RPM	HP
007-F5	115	60	1	.71	3250	1/25
007-SF5	115	60	1	.75	3250	1/25
Motor Type	Permanent Split Capacitor Impedance Protected					
Motor Options	220/50/1, 220/60/1, 230/60/1, 100/110/50/60/1					

*Flange Orientation Type



00° Timers / Aquastat

The Taco Clock Timers and Temperature Aquastat are designed to operate Taco circulators for domestic hot water recirculation during peak demand periods. The 24-hour clock timer can be set in 15 minute on/off intervals. A digital 7-day programmable timer can be set to run at varying times and intervals each day. The timer enclosures feature rugged steel construction. Temperature control is easy with the Aquastat — automatically ON at 95°F and OFF at 115°F. Adaptable to any 00° Series Circulator.



Submittal Data Information

00® Timers / Aquastat

Submittal Data # 101-036
Supersedes: 06/18/14

Effective: 12/10/15

24 Hour Analog Clock Timer

Performance Data — #265-1

Electrical Characteristics: 115/60/1
Timer Switch: 16A @115V
Timer Interval: 15 Minutes
Clock face: Hour and Minute Hands
Manual Switch: **I** Permanently ON
⌚ Automatic Operation
O Permanently OFF

7 Day Digital Timer

Performance Data — #265-3

Electrical Characteristics: 115/60/1
Timer Switch: 16A @115V
Timer Interval: 1 Minute (+) Adjustable
Clock face: Digital with
Circulator Programming
Capacitor Backup: 2,500 hours

Temperature Aquastat — Snap

Action Temperature Switch — #563-2

Electrical Characteristics: 115/60/1
Connections: 1/2" (Snap on circ. body)
3/4" Copper pipe
Temperature Setting: ON @ 95°F
OFF @ 115°F
Contacts: 7 amp SPDT Switch
Wire Leads: 18" – Type 18-2,
Round Premium Cable

Application

The Taco Clock Timers and Temperature Aquastat are designed to control the operation of Taco circulators on Domestic Hot Water Recirculation Systems for maximum comfort and energy efficiency. They are adaptable to any 00® Series circulator by attaching the enclosure or wiring to the electrical box.

24 Hour Analog Timer

Operates the circulator at the same pre-set times every day. Time intervals are in 15 minute increments. This user friendly clock has a raised minute hand for easy adjustments, quick-set trippers and an operation switch for Manual ON/OFF or Automatic modes.

7 Day Digital Programmable Timer

Digital Timer can be programmed to operate at different times on different days, weekdays or weekends, for maximum comfort and convenience to match family schedules. Easy circular programming clock face and LCD readout screen. Run time intervals as short as 1 minute provides maximum energy efficiency. A capacitor backup saves settings for up to 2,500 hours during power outages.

Temperature Aquastat

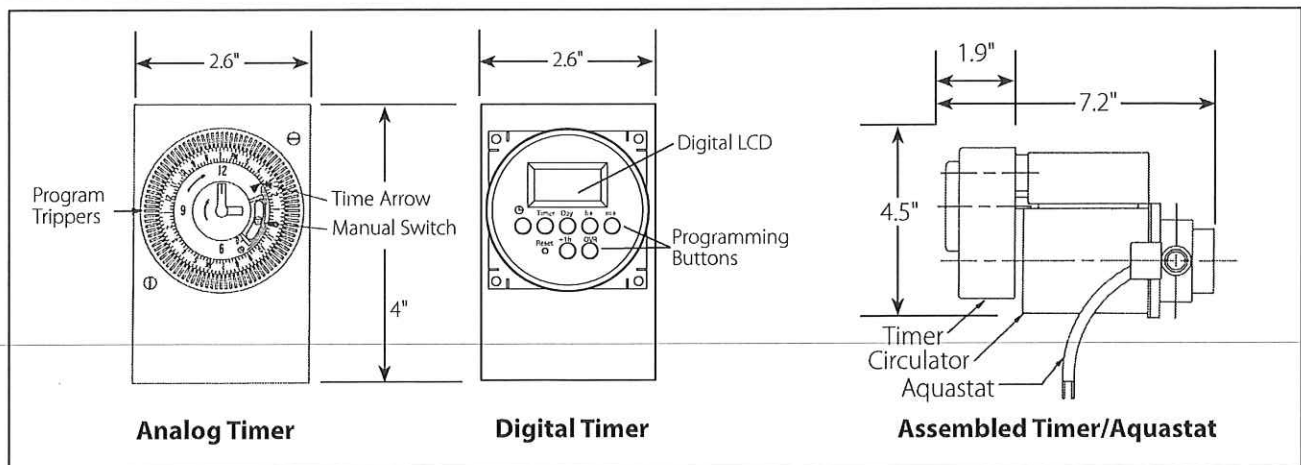
Controls pump operation to maintain system temperature between 95°F and 115°F. Easy clip-on Aquastat attaches directly to 3/4" pipe or a 1/2" sweat pump casing.

Shipping Weight

Model	Item	Lbs.	Kg
265-1	Analog Timer	.75	.35
265-3	Digital Timer	.75	.35
563-2	Aquastat	.25	.11



FOR INDOOR USE ONLY



Taco Inc., 1160 Cranston Street, Cranston, RI 02920 / (401) 942-8000 / Fax (401) 942-2360
Taco (Canada) Ltd., 8450 Lawson Road, Unit #3, Milton, Ontario L9T 0J8 / (905) 564-9422 / Fax (905) 564-9436
www.TacoComfort.com

RPZ-1
2" 975XL3 BACKFLOW
W/ Y STRAINER AND AG



Model 975XL3

Reduced Pressure Principle Assembly

Application

Ideal for use where Lead-Free* valves are required. Designed for installation on potable water lines to protect against both backsiphonage and backpressure of contaminated water into the potable water supply. Assembly shall provide protection where a potential health hazard exists.



NSF/ANSI/CAN 61

Standards Compliance

- ASSE® Listed 1013
 - cUPC® Listed
 - CSA® Certified B64.4
 - UL® Classified (less shut-off valves)
 - C-UL® Classified
 - AWWA Compliant C511
 - Approved by the Foundation for Cross Connection Control and Hydraulic Research at the University of Southern California
 - Meets the requirements of NSF/ANSI/CAN 61 and 372*
- *(Less than 0.25% Weighted Average Lead Content)

Options

(Suffixes can be combined)

- with full port QT ball valves (standard, 1/2" - 2"), and with integral male 45° flare SAE test fitting (standard, 1/2" - 1")
- FT - with integral male 45° flare SAE test fitting (1 1/4" - 2", contact factory for approvals)
- S - with Model SXL lead-free wye type strainer
- SE - with 90° elbows (1/2" - 1")
- U - with union ball valves (3/4" - 2")

Materials

Main valve body	Low Lead Cast Bronze ASTM B 584
Access covers	Low Lead Cast Bronze ASTM B 584
Fasteners	Stainless Steel, 300 Series
Elastomers	Silicone (FDA Approved) Buna Nitrile (FDA Approved)
Polymers	Noryl™
Springs	Stainless Steel, 300 Series
Ball valve handles	Stainless Steel

Accessories

- Air gap (Model AG-X)
- Repair kits (see repair kit guide for full list)
- Thermal expansion tank (Model XT)
- Soft seated check valve (Model 40XL2)
- Shock arrester (Model 1260XL)
- QT-SET Quick Test Fitting Set (1 1/4" - 2")

Features

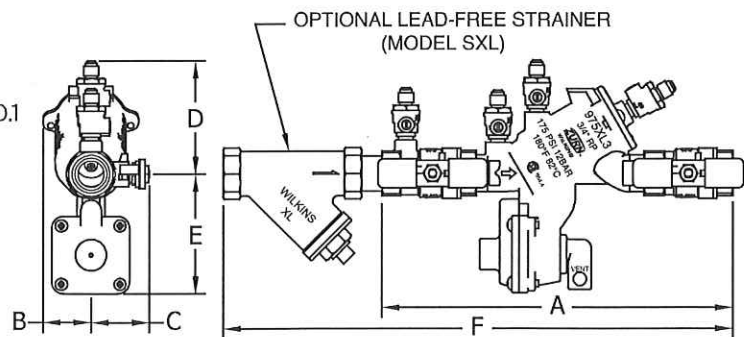
Sizes: 1/2", 3/4", 1", 1 1/4", 1 1/2", 2"	
Minimum working water pressure	25 PSI
Maximum working water pressure	175 PSI
Minimum working water temperature	33°F
Maximum working water temperature	180°F
Hydrostatic test pressure	350 PSI
Threaded end connections (FNPT)	ANSI B1.20.1

Relief Valve discharge port:

1/2" - 1"	-	0.29 sq. in.
1 1/4" - 1 1/2"	-	0.59 sq. in.
2"	-	0.93 sq. in.

Air Gap Part Numbers Repair Kit Part Numbers

AG-4 (1 1/4" - 1 1/2")	RK34-975XL3 (1/2" & 3/4")
AG-5 (2")	RK1-975XL3
AG-8 (1/2" - 1")	RK114-975XL3 (1 1/4" & 1 1/2") RK2-975XL3



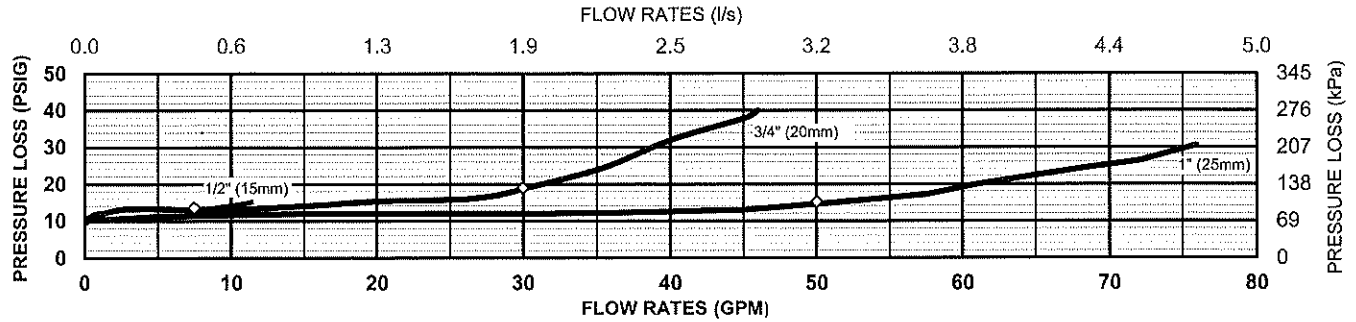
Dimensions & Weights (do not include pkg.)

MODEL SIZE	DIMENSIONS (approximate)												WEIGHT		
	A		B		C		D		E		F		WITH BALL VALVES		
	in.	mm	in.	mm	in.	mm	in.	mm	in.	mm	in.	mm	lbs.	kg	
1/2	15	9 5/16	237	1 3/8	35	1 1/2	38	3 7/32	82	3 3/8	86	13 1/16	332	4	1.8
3/4	20	10	254	1 3/8	35	1 11/16	43	3 7/32	82	3 3/8	86	14 1/8	359	4	1.8
1	25	11 13/16	300	1 9/16	40	1 15/16	49	3 7/16	87	3 1/2	89	16 3/16	412	6	2.7
1 1/4	32	15 9/16	396	1 9/16	40	2 1/2	64	4 1/16	104	5 3/16	133	21 1/8	537	15	6.8
1 1/2	40	15 11/16	399	1 9/16	40	3 1/8	79	4 1/16	104	5 3/16	133	22 3/8	569	16	7.3
2	50	17 7/8	454	1 15/16	49	3 1/2	89	4 15/16	126	6 5/8	169	25 7/8	657	22	10

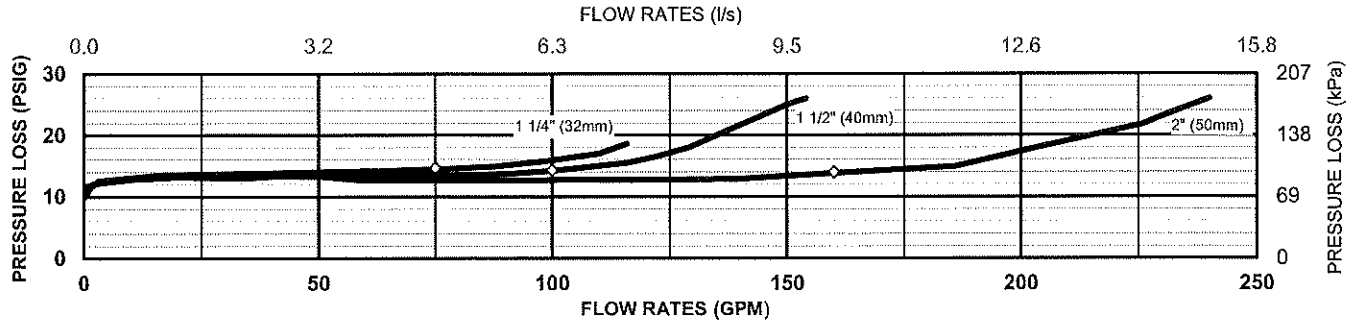
Flow Characteristics

◊Rated Flow (established by approval agencies)

MODEL 975XL3 1/2", 3/4" & 1" (STANDARD & METRIC)



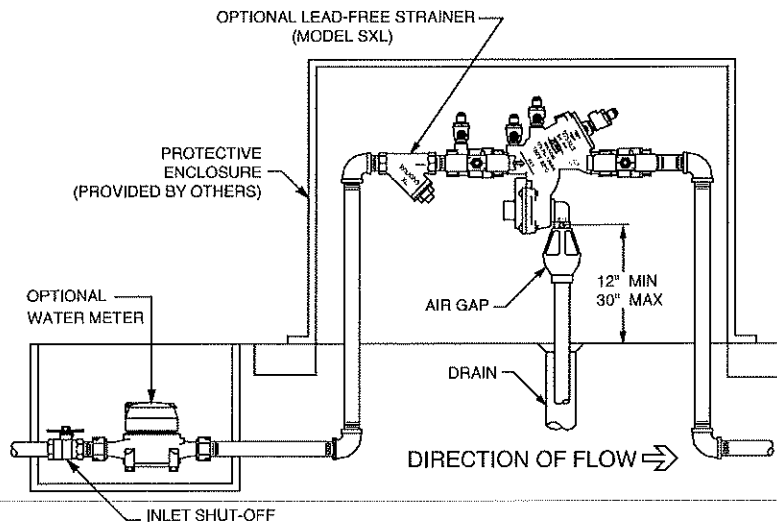
MODEL 975XL3 1 1/4", 1 1/2" & 2" (STANDARD & METRIC)



Typical Installation

Local codes shall govern installation requirements. To be installed in accordance with the manufacturers' instructions and the latest edition of the Uniform Plumbing Code. Unless otherwise specified, the assembly shall be mounted at a minimum of 12" (305mm) and a maximum of 30" (762mm) above adequate drains with sufficient side clearance for testing and maintenance. The installation shall be made so that no part of the unit can be submerged.

Capacity thru Schedule 40 Pipe				
Pipe size	5 ft/sec	7.5 ft/sec	10 ft/sec	15 ft/sec
1/8"	1	1	2	3
1/4"	2	2	3	5
3/8"	3	4	6	9
1/2"	5	7	9	14
3/4"	8	12	17	25
1"	13	20	27	40
1 1/4"	23	35	47	70
1 1/2"	32	48	63	95
2"	52	78	105	167



OUTDOOR INSTALLATION

Specifications

The Reduced Pressure Principle Backflow Preventer shall be certified to NSF/ANSI/CAN 61, shall be ASSE[®] Listed 1013, rated to 180°F, and supplied with full port ball valves. The main body and access covers shall be low lead bronze (ASTM B 584), the seat ring and all internal polymers shall be Noryl[™] and the seat disc elastomers shall be silicone. The first and second checks shall be at an angle and be accessible for maintenance without removing the relief valve or the entire device from the line. The checks shall share a single access cover and test cocks shall be accessible from the top of the device. If installed indoors, the installation shall be supplied with an air gap adapter. The Reduced Pressure Principle Backflow Preventer shall be a ZURN WILKINS Model 975XL3.

PRV
2"NR3 REGULATOR



Model NR3XL

Water Pressure Reducing Valve with Integral By-Pass Check Valve and Strainer

Application

Ideal for use where Lead-Free* valves are required. Designed for installation on potable water lines to reduce high inlet pressure to a lower outlet pressure. The integral strainer makes this device most suitable for residential and commercial water systems that require frequent cleaning of sediment and debris. The direct acting integral by-pass design prevents buildup of excessive system pressure caused by thermal expansion. The balance piston design enables the regulator to react in a smooth and responsive manner to changes in system flow demand, while at the same time, providing protection from inlet pressure changes.

Standards Compliance

- ASSE® Listed 1003
- IAPMO® Listed
- CSA® Certified
- Meets the requirements of NSF/ANSI 61*
*(0.25% MAX. WEIGHTED AVERAGE LEAD CONTENT)

Materials

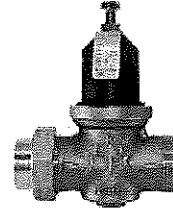
Main valve body	Low Lead Cast bronze ASTM B 584
Bell housing	UV resistant polymer composite
Internals	Stainless steel, 300 Series
Stem	Low Lead Brass
Elastomers	EPDM (FDA approved) Buna nitrile (FDA approved)
Cartridge	Delrin™
Springs	302 Stainless Steel
Strainer screen	300 Series Stainless Steel

Features

Sizes:	1/2", 3/4", 1", 1-1/4", 1-1/2", 2"
Max. working water pressure (1/2" - 1-1/4")	400 psi
Minimum inlet pressure =	80 psi as per UPC Code
Max. working water pressure (1-1/2" - 2")	300 psi
Max. working water temperature	140°F
Reduced pressure range (1/2" - 1-1/4")	15 to 75 psi
Reduced pressure range (1-1/2" - 2")	25 to 75 psi
Factory preset	50 psi
Threaded connections (FNPT)	ANSI B1.20.1
Copper connections (FC)	ANSI B16.22
CPVC tailpiece: Max. hot water temp.	140°F @ 100 psi
Cold water rated temp.	73.4°F @ 400 psi

Dimensions & Weights (do not include pkg.)

SIZE		CONNECTIONS	DIMENSIONS (approximate)								WEIGHT	
in.	mm		A		B		C		D		lbs.	kg
1/2	15	SINGLE UNION	4 3/8	111	6 1/4	159	1 1/8	29	2 1/2	64	3	1.5
1/2	15	LESS UNION	3 1/2	89	6 1/4	159	1 1/8	29	2 1/2	64	3	1.5
1/2	15	DOUBLE UNION	5 1/4	133	6 1/4	159	1 1/8	29	2 1/2	64	3	1.5
3/4	20	SINGLE UNION	4 7/16	113	6 1/4	159	1 1/8	29	2 1/2	64	3	1.5
3/4	20	LESS UNION	3 1/2	89	6 1/4	159	1 1/8	29	2 1/2	64	3	1.5
3/4	20	DOUBLE UNION	5 3/8	137	6 1/4	159	1 1/8	29	2 1/2	64	3	1.5
3/4	20	DOUBLE MALE METER	3 5/8	92	6 1/4	159	1 1/8	29	2 1/2	64	3	1.5
1	25	SINGLE UNION	4 15/16	125	6 1/4	159	1 1/8	29	2 1/2	64	4	2
1	25	LESS UNION	4	102	6 1/4	159	1 1/8	29	2 1/2	64	3.5	1.6
1	25	DOUBLE UNION	5 15/16	151	6 1/4	159	1 1/8	29	2 1/2	64	4.5	2.1
1	25	DOUBLE MALE METER	4	102	7 3/4	197	1 3/16	30	3	76	4	2.0
1 1/4	32	SINGLE UNION	6 3/16	157	7 3/4	197	1 3/16	30	3	76	5.5	2.5
1 1/4	32	LESS UNION	5	127	7 3/4	197	1 3/16	30	3	76	5	2.3
1 1/4	32	DOUBLE UNION	7 3/8	187	7 3/4	197	1 3/16	30	3	76	6	2.7
1 1/2	40	SINGLE UNION	6 5/16	160	8 1/2	216	1 3/4	45	3 3/4	95	6.6	3
1 1/2	40	LESS UNION	5	127	8 1/2	216	1 3/4	45	3 3/4	95	5.5	2.5
1 1/2	40	DOUBLE UNION	7 1/2	191	8 1/2	216	1 3/4	45	3 3/4	95	7.7	3.5
2	50	SINGLE UNION	6 1/4	159	8 1/2	216	2	51	3 3/4	95	8.1	3.7
2	50	LESS UNION	5	127	8 1/2	216	2	51	3 3/4	95	6.7	3
2	50	DOUBLE UNION	7 1/2	191	8 1/2	216	2	51	3 3/4	95	9.5	4.3



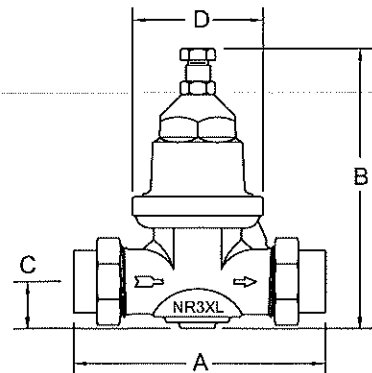
Options

(Suffixes can be combined)

- standard with single union FNPT connection and 20 mesh strainer screen
- C - with FC (copper sweat) union connection
- DM - with double male 3/4" & 1" meter threads connection with SS spring & sealed cage
- G - tapped and plugged with gauge
- DU - with double union connection (FNPT)
- DULU - with 2 integral FNPT connection (no union)
- PEX - with male barbed connection tailpiece for crossed-linked polyethylene tubing
- PEXF1960- with male barbed connection PEX tailpiece conforming to ASTM F1960
- SC - with ss adjustment bolt and lock nut with ss spring for below-ground installations
- P - tapped and plugged for gauge
- CPVC - CPVC tailpiece connection (3/4" - 1")
- HRSC - High Range 15-150 psi (1/2"-1-1/4" only) with sealed cage
- DUPF - with 2 Z-Bite™ push fit tailpiece connection 250 psi max pressure (1/2" - 1" only)
- DUPR - with 2 Z-Press™ press fit tailpiece connection 250 psi max pressure (3/4" - 2" only)
- DULUPF- with 2 integral Z-Bite™ push fit connections 250 psi max pressure
- DULUPR- with 2 integral Z-Press™ press fit connections 250 psi max pressure

Accessories

- Repair kit
- 1" BR4DUSPC Special plastic spacer nipple
- 1-1/4" BR4DUSPC Steel pipe
- 1-1/2" NR3DUSPC Steel pipe
- 2" NR3DUSPC Steel pipe
- TPKXL Lead-Free Tailpiece kit
- TPKXLPF Z-Bite™ push fit Tailpiece kit 250 psi max pressure (1/2"-1" only)
- TPKXLPR Z-Press™ press fit Tailpiece kit 250 psi max pressure (3/4"-2" only)



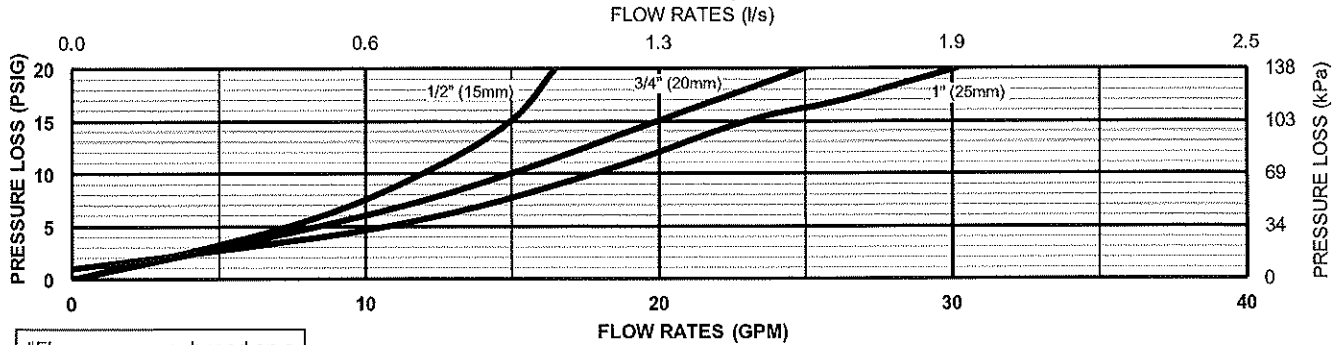
Zurn Industries, LLC | Wilkins
1747 Commerce Way, Paso Robles, CA U.S.A. 93446 Ph. 855-663-9876, Fax 805-238-5766
In Canada | Zurn Industries Limited
3544 Nashua Drive, Mississauga, Ontario L4V 1L2 Ph. 905-405-8272, Fax 905-405-1292

Rev. J
Date: 9/16
Document No. REG-NR3XL
Product No. Model NR3XL

Flow Characteristics

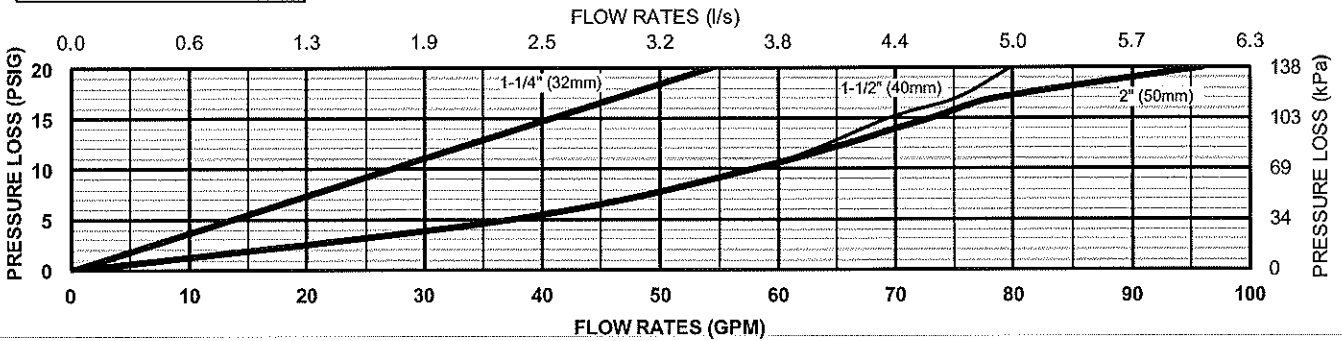
◇ Rated Flow (established by approval agencies)

MODEL NR3XL 1/2", 3/4" & 1" (STANDARD & METRIC)



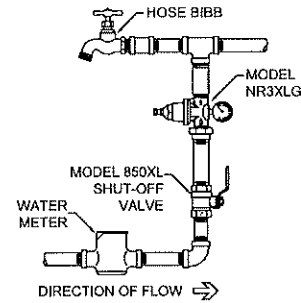
"Flow curves are based on a 50 psi pressure differential"

MODEL NR3XL 1-1/4", 1-1/2" & 2" (STANDARD & METRIC)

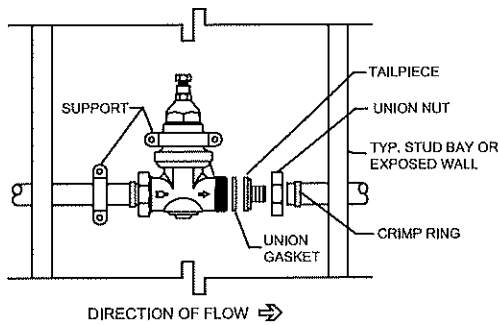


Typical Installation

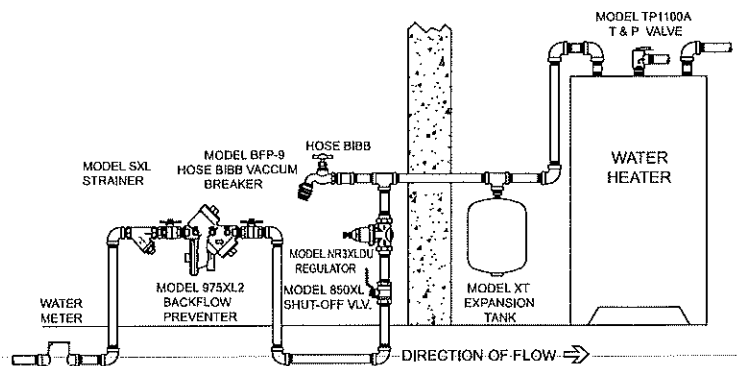
Local codes shall govern installation requirements. Unless otherwise specified, the assembly shall be mounted in accordance with the latest edition of the Uniform Plumbing Code. The Model NR3XL may be installed in any position. If installed in a pit, vault, or inside application, specify the "SC" sealed cage option. The assembly shall be installed with sufficient side clearance for testing and maintenance. Multiple installations are recommended for wide demand variations or where the desired pressure reduction is more than 4 to 1 (ie: 200 psi inlet reduced to 50 psi outlet). **CAUTION:** Anytime a reducing valve is adjusted, a pressure gauge must be used downstream to verify correct pressure setting. Do not bottom adjustment bolt on bell housing.



OUTDOOR INSTALLATION



NR3XL DUPEX INSTALLATION



TYPICAL INSTALLATION

Specifications

The Water Pressure Reducing Valve shall be certified to NSF/ANSI 61 and ASSE® Listed 1003, available with single union, double union and less union end connections. The main body shall be low lead cast bronze (ASTM B 584) alloy. The bell shall be composite plastic. The cartridge shall be acetal and incorporate an integral seat. The seat disc elastomer shall be EPDM. The assembly shall be accessible for maintenance without removing the device from the line. The Water Pressure Reducing Valve shall be a ZURN WILKINS Model NR3XL.

Zurn Industries, LLC | Wilkins
 1747 Commerce Way, Paso Robles, CA U.S.A. 93446 Ph. 855-663-9876, Fax 805-238-5766
 In Canada | Zurn Industries Limited
 3544 Nashua Drive, Mississauga, Ontario L4V 1L2 Ph. 905-405-8272, Fax 905-405-1292

FPWH
ZURN Z1321XL-C



Z1321XL

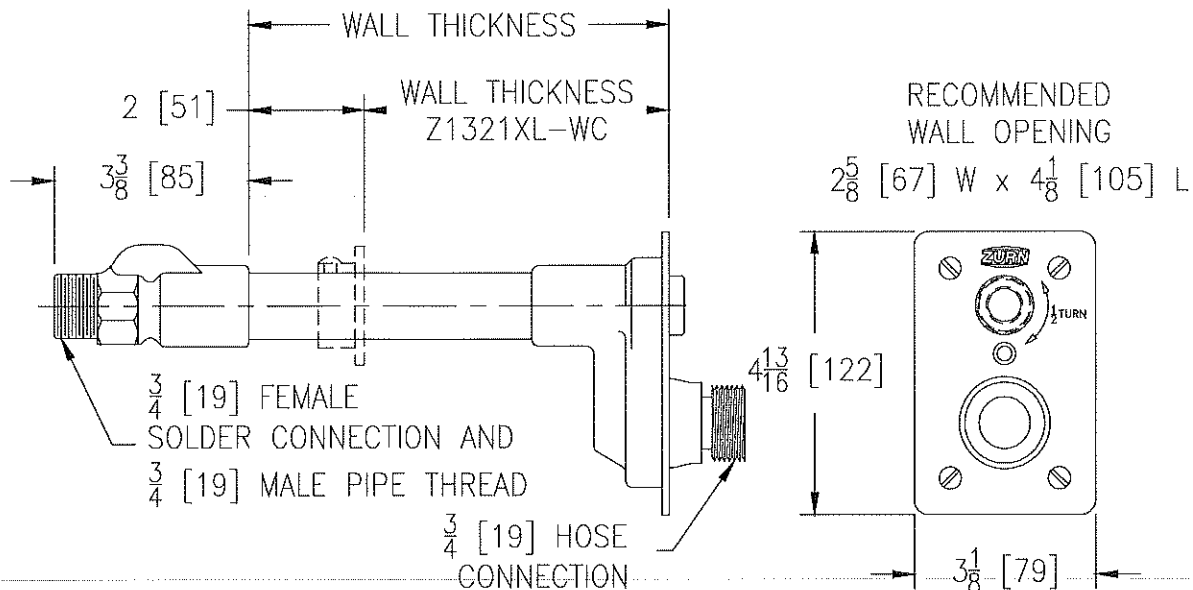
ECOLOTRON CERAMIC DISC
WALL HYDRANT

Encased, Non-Freeze, Anti-Siphon, Automatic Draining

SPECIFICATION SHEET

TAG _____

Design and Dimensional Data (Inches and [mm]) are Subject to Manufacturing Tolerances and Change Without Notice



Wall Thickness in [mm]	Approx. Wt. lbs [kg]
6, 8 [152, 203]	3 [1]
10, 12, 14 [254, 305, 356]	4 [2]
16, 18 [406, 457]	5 [2]
20, 22, 24 [508, 559, 610]	6 [3]
26, 30 [660, 762]	8 [7]

ENGINEERING SPECIFICATION: ZURN Z1321XL

Encased, Ecolotrol™, lead-free, non-freeze automatic draining wall hydrant for flush installation. Hydrant features integral backflow prevention with anti-siphon technology, copper casing, all-bronze interior components with 1/2 turn long-life ceramic disc cartridge, combination 3/4" [19] female solder and 3/4" [19] male pipe thread inlet connection, and 3/4" [19] male hose connection. Hydrant furnished with type 304 stainless steel housing with locking hinged cover stamped "WATER" and includes operating key.

Zurn "XL" Lead-Free compliant products are a line of durable plumbing products designed and manufactured to comply with state laws and local codes that mandate maximum allowable lead content levels. Zurn "XL" products are manufactured in accordance to the Federal SWDA section 1417.

OPTIONS (Check/specify appropriate options)

SUFFIXES

- ___ -PB Polished Bronze Face
- ___ -RK Hydrant Parts Repair Kit (HYD-RK-Z1321XL/33XL)
- ___ -RT12 Ceramic Cartridge Removal Tool (Up to 12 [305] Wall)
- ___ -RT24 Ceramic Cartridge Removal Tool (Up to 24 [610] Wall)
- ___ -RT36 Ceramic Cartridge Removal Tool (Up to 36 [915] Wall)
- ✓ -WC Wall Clamp
- ___ -34EL 3/4 [19] 90° Solder Inlet Elbow
- ___ -34FIP 3/4 [19] IP Straight Female Inlet Adapter

Compliance and Certification:

- Low-Lead Compliant

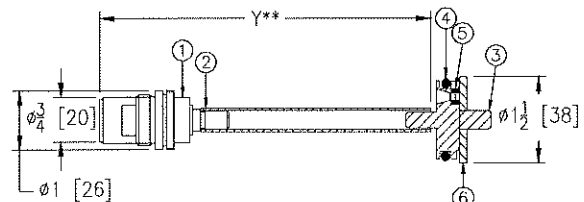
* Regularly furnished unless otherwise specified.

** When ordering replacement cartridge assembly Specify Y dim.

⚠ **WARNING:** Cancer and Reproductive Harm - www.P65Warnings.ca.gov

⚠ **ADVERTENCIA:** Cáncer y daño reproductivo - www.P65Warnings.ca.gov

⚠ **AVERTISSEMENT:** Cancer et effets néfastes sur la reproduction - www.P65Warnings.ca.gov



Internal Components

Item	Name	Quan.
1	Ceramic Cartridge	1
2	Operating Tube	1
3	Operating Coupling	1
4	O-Ring	1
5	O-Ring	1
6	Retaining Washer	1

Zurn Industries, LLC | Specification Drainage Operation
1801 Pittsburgh Avenue, Erie, PA 16502, Ph. 855.663.9876

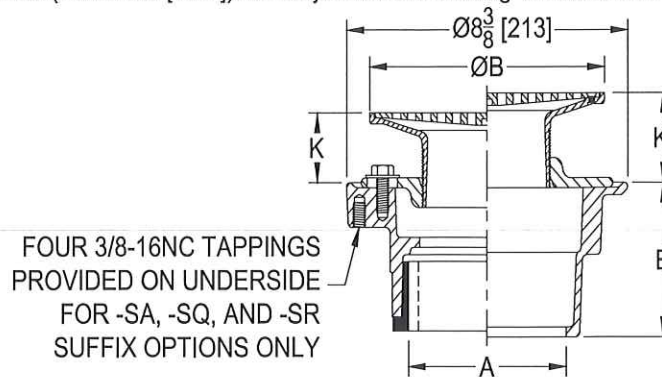
In Canada | Zurn Industries Limited
7900 Goreway Drive, Unit 10, Brampton, Ontario L6T 5W6, Ph. 877.892.5216

www.zurn.com

Rev. B
Date: 01/18/23
C.N. No. 144900
Patent zurn.com/patents
Prod. | Dwg. No. Z1321XL

FD-1&FD-2
ZN415-5B 2NL
TRAPGUARD MIFAB

Dimensional Data (inches and [mm]) are Subject to Manufacturing Tolerances and Change Without Notice



Dimensions in Inches [mm]						Approx. Wt. Lbs. [kg]	Strainer Open Area Sq. In. [cm ²]
A - Pipe Size	B Strainer Dia.	K		K'			
		Min.	Max.	Min.	Max.		
2,3 [51,76]	5 [127]	1 [25]	1-1/2 [38]	1-3/32 [28]	2-1/4 [57]	11 [5]	6-1/4 [40]
2,3,4 [51,76,102]	6 [152]	1 [25]	1-25/32 [45]	1-13/32 [36]	2-17/32 [64]	13 [6]	9 [58]
2,3,4 [51,76,102]	7 [178]	1 [25]	2-1/8 [54]	1-23/32 [44]	2-7/8 [73]	14 [6]	12 [77]
3,4 [76,102]	8 [203]	1-5/32 [30]	2-1/8 [54]	1-3/4 [44]	2-7/8 [73]	16 [7]	19 [123]
6 [152]	8 [203]	1-5/32 [30]	2-1/8 [54]	1-3/4 [44]	2-7/8 [73]	18 [8]	19 [123]
6 [152]	10 [254]	1-7/16 [37]	2-1/2 [64]	2 [51]	3-1/4 [83]	22 [10]	23 [148]

ENGINEERING SPECIFICATION: ZURN ZN415B

Floor and shower drain, Dura-Coated cast iron body with bottom outlet, combination invertible membrane clamp and adjustable collar with seepage slots and "TYPE B" polished nickel bronze, light-duty heel-proof strainer.

OPTIONS (Check/specify appropriate options)

PIPE SIZE	(Specify size/type)	OUTLET	'E' BODY HT. DIM.
2,3,4 [51,76,102]	___ IC	Inside Caulk	4-3/16 [106]
2 [51]	___ IP	Threaded	2-7/16 [62]
3 [76]	___ IP	Threaded	2-3/4 [70]
4 [102]	___ IP	Threaded	2-13/16 [71]
6 [152]	___ IP	Threaded	2-7/8 [73]
2,3,4 [51,76,102]	___ NH	No-Hub	3-13/16 [97]
2,3,4 [51,76,102]	<input checked="" type="checkbox"/> NL	Neo-Loc	3-7/8 [98]

PREFIXES

___ ZB	D.C.C.I. Body Assembly w/ Polished Bronze Top
<input checked="" type="checkbox"/> ZN	D.C.C.I. Body Assembly w/ Polished Nickel Bronze Top*

SUFFIXES

___ -AR	Acid Resisting Epoxy Coated Cast Iron	___ -SQ	Stabilizer Q-Deck (See Z1035-Q)
___ -CP	Chrome-Plated Bronze Top	___ -TC	Neo-loc Test Cap Gasket (2,3,4 [51,76,102] NL Outlet Only)
___ -G	Galvanized Cast Iron	___ -U	1-3 [25-76] High Extension Adapter
___ -HD	Heavy-Duty Slotted Grate (ZN 5,6[127,152] Sizes Only)	___ -V	Backwater Valve
___ -OF	Oval Funnel (See Z329-7) (7,8,10[178,203,254] Strainers only)	___ -VP	Vandal-Proof Secured Top
___ -P	Trap Primer Connection (Specify 1/2 [13] or 3/4 [19])	___ -Y	Sediment Bucket
___ -PC	Protective Cover	___ -4	4[102] Diameter Funnel (Z328)
___ -SA	Stabilizer Assembly (See Z1035)	___ -90	90° Threaded Side Outlet Body Assembly (2,3 [51,76] Only)
___ -SR	Stabilizer Ring		

* Regularly furnished unless otherwise specified.

⚠ WARNING: Cancer and Reproductive Harm - www.P65Warnings.ca.gov
⚠ ADVERTENCIA: Cáncer y daño reproductivo - www.P65Warnings.ca.gov
⚠ AVERTISSEMENT: Cancer et effets néfastes sur la reproduction - www.P65Warnings.ca.gov

 Zurn Industries, LLC | Specification Drainage Operation
 1801 Pittsburgh Avenue, Erie, PA USA 16502, Ph. 855.663.9876

 In Canada | Zurn Industries Limited
 7900 Goreway Drive, Unit 10, Brampton, Ontario L6T 5W6, Ph. 877.892.5216

www.zurn.com

 Rev. X
 Date: 01/05/23
 C.N. No. 144898
 Patent zurn.com/patents
 Prod. I Dwa. No. Z415B

Winsupply Product Information

Residential Plumbing > Residential Rough Plumbing > Drains > Drain Accessories

HELP IMPROVE THIS PRODUCT INFO

ABS In-Line Trap Seal for 2 in. Drain Opening

MIFAB

Model #: MI-GARD-2

Item #: 0220MIGARD2



Features:

- Used in the outlet connections of floor drain bodies, or the inside of floor drain strainers to seal the opening to prevent odors, sewer gases, and insects from entering up through the floor drain grate
- The MI-GARD's 4 flexible silicone sealing ribs ensure easy installation into openings that have variations in size
- The MI-GARD will open to allow drainage and close when there is no water flow

Product Description

MIFAB MI-GARD series in-line floor drain trap seal with UV-resistant ABS plastic frame, silicon rubber sealing flapper and 4 flexible sealing ribs. Tested and certified to the ASSE 1072 Standard and listed with IAPMO and ICC specify connection size.

- Used in the outlet connections of floor drain bodies, or the inside of floor drain strainers to seal the opening to prevent odors, sewer gases, and insects from entering up through the floor drain grate
- The MI-GARD's 4 flexible silicone sealing ribs ensure easy installation into openings that have variations in size
- The MI-GARD will open to allow drainage and close when there is no water flow

Product Specifications

Catalog Number	MI-GARD-2
For Use With	2 in Drain Opening
Height	2 in
Material	ABS
Order Number	MI-GARD-2
Product Type	In-Line Floor Drain Trap Seal
Series	MI-GARD
Specifications Met	ASSE 1072, IAPMO/UPC Approved, ICC-ES PMG Certified
Warranty	1 year
Weight	3.52

EWC-1
ELKAY EZSTL8C
WATER COOLER
CARRIER Z1225BL

ELKAY®

SPECIFICATIONS

Versatile Bi-Level Water Cooler Pushbar Activated Models EZ(S)TL8 and Model EZ(S)TLDD

RATED FOR INDOOR USE ONLY

PRODUCT SPECIFICATION

Self-contained wall mount electric two-level water cooler. Models EZ(S)TL8 and EZTL8 shall deliver 8 GPH of 50°F drinking water at 90°F ambient and 80°F inlet water. Models EZ(S)TLDD shall deliver non-chilled drinking water. Unit shall meet ADA guidelines. Unit shall be lead-free design which is certified to NSF/ANSI 61 and 372 and meets Federal and State low-lead requirements. Unit shall be certified to UL399 and CAN/CSA 22.2 No. 120.

Models EZSTL have self-closing Easy-Touch pushbar controls on front & sides. Models EZTL have self-closing Easy-Touch pushbar controls on front only. Models EZ(S)TLDD are non-refrigerated. Requires outlet for power cord.

NOTE: Minimum 40 psi supply line pressure required in special circumstances where both sides of two-level are in use simultaneously to ensure adequate stream height.



*Versatile cooler configuration as shipped



*Versatile cooler configuration alternate installation

STANDARD FEATURES

- Easy-Touch pushbar activation
- Extra deep basin minimizes splashing; with integral drain
- Available with Flexi-Guard® Safety bubbler or Vandal-resistant[†] bubbler
- Vandal-resistant[†] bubbler (includes "VR" code in model no.)
- Valve with built-in flow regulator to provide constant stream from 20 to 105 psi water pressure
- *Versatile cooler design allows units to be installed either left-hand high and right-hand low or left-low and right high
- Cooler panel finishes: Light Gray Granite Vinyl Clad Steel or Stainless Steel
- Rated for Indoor Use

COOLING SYSTEM (Models EZ(S)TL(VR)8 only)

- Compressor: Hermetically-sealed, reciprocating type, single phase. Sealed-in lifetime lubrication.
- Condenser: Fan cooled, copper tube with aluminum fins. Fan motor is permanently lubricated.
- Cooling Unit: Combination tube-tank type. Self-cleaning. Continuous copper tubing with stainless steel tank. Fully insulated with EPS foam that meets UL requirements for self-extinguishing material.
- Refrigerant Control: Refrigerant R134a is controlled by accurately calibrated capillary tube.
- Temperature Control: Easily accessible enclosed adjustable thermostat is factory preset. Requires no adjustment other than for altitude requirements.

CONSTRUCTION

- Stainless Steel basin with integral drain
- Galvanized structural steel cooler chassis provides structural integrity
- Cooler cabinet available as Light Gray Granite Vinyl Clad Steel or Stainless Steel (additional cost) construction
- Exclusive Flexi-Guard® Safety bubbler (option) utilizes an infused anti-microbial pliable polyester elastomer to prevent accidental mouth injuries. Flexes on impact.
- Vandal-resistant[†] bubbler (option) is one-piece, heavy duty construction

Warranty: 5 year limited warranty on the unit's refrigeration system. Electrical components and water system are warranted for 12 months from date of installation or 18 months from factory shipment, whichever date falls first.

CAPACITIES CHART

CAPACITIES CHART								
Model	Voltage / Hertz	Chilling** Capacity	F.L. Amps	Rated Watts	Approx. Ship Wt.	UL399 and CAN/CSA 22.2 No. 120 Certified	ADA Compliant	NSF/ANSI 61 and 372 Certified
† EZ(S)TL8*(F)C	115V / 60Hz	8 GPH	4.0	370	72 lbs.	•	•	•
EZ(S)TLVR8*C	115V / 60Hz	8 GPH	4.0	370	72 lbs.	•	•	•
EZ(S)TL(VR)8*2JOC	220V / 50Hz	6.7 GPH	2.0	370	72 lbs.	++	•	•
† EZ(S)TLDD*C	115V / 60Hz	—	1.0	15	46 lbs.	•	•	•
EZ(S)TLVRDD*C	115V / 60Hz	—	1.0	15	46 lbs.	•	•	•

*Color code of (L) Light Gray Granite or (S) Stainless Steel cooler panels.

**Based on 80°F inlet water & 90°F ambient air temp for 50°F chilled drinking water.

++Complies; not third party certified.

† Glass filler available at extra cost, add code (F). Requires factory preparation to receive glass filler.

This specification describes an Elkay product with design, quality and functional benefits to the user. When making a comparison of other producer's offerings, be certain these features are not overlooked.

Versatile Bi-Level Water Cooler
Pushbar Activated
Models EZ(S)TL8 and Model EZ(S)TLDD

ELKAY®
ROUGH-IN DIMENSIONS

RATED FOR INDOOR USE ONLY

IMPORTANT! INSTALLER PLEASE NOTE:

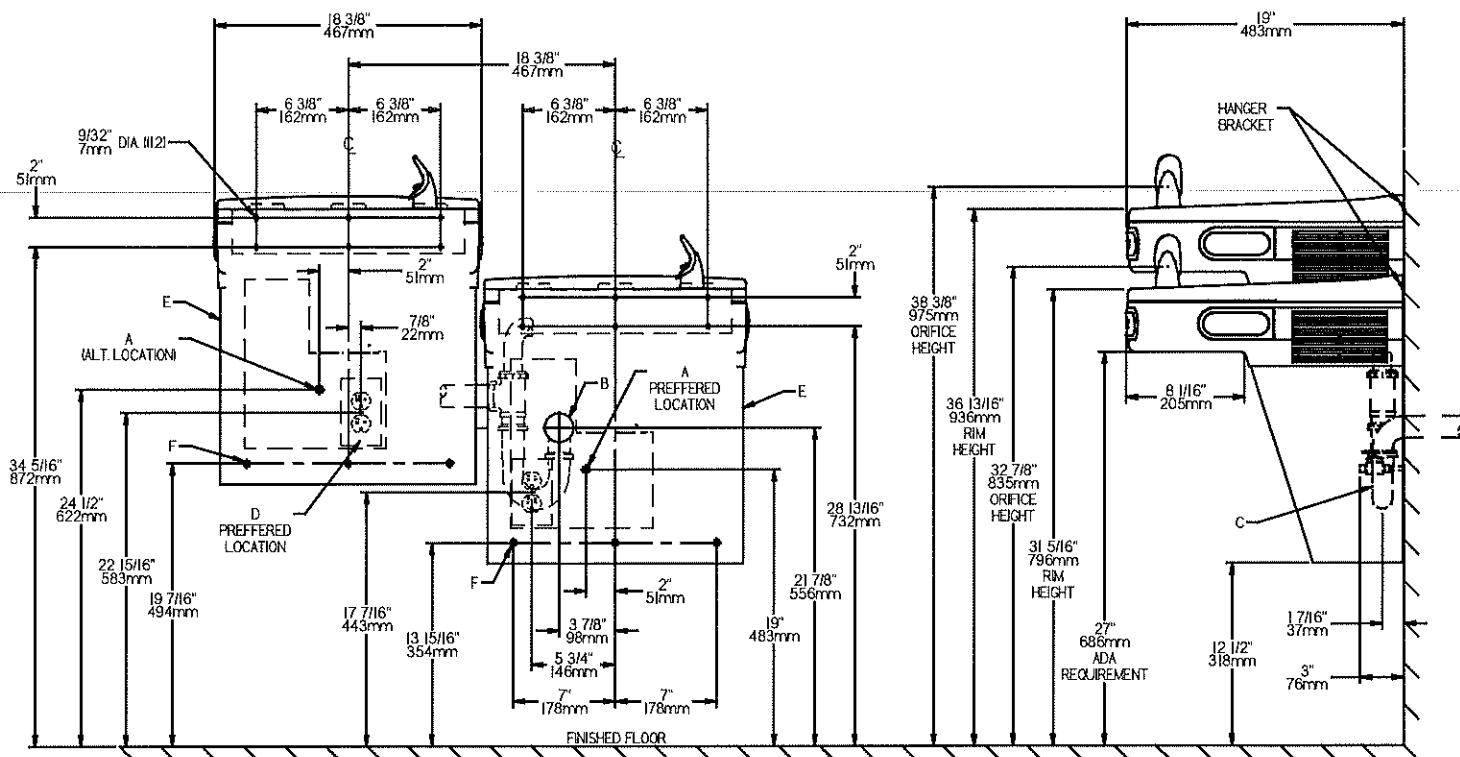
These units are designed and built to provide water to the user which has not been altered by materials in the cooler waterway. The grounding of electrical equipment such as telephone, computers, etc. to water lines is a common procedure. This grounding may be in the building but may also occur away from the building. This grounding can cause electrical feedback into a water cooler creating an electrolysis which results in a metallic taste or an increase in the metal content of the water. This condition is avoidable by installing the cooler using the proper materials as shown.

NOTICE

This water cooler must be connected to the water supply using a dielectric coupling. The cooler is furnished with a non-metallic strainer which meets this requirement. The drain trap which is provided by the installer should also be plastic to completely isolate the cooler from the building plumbing system.

Model shown with Flexi-Guard® bubbler.

ROUGH-IN FOR LEFT-HAND HIGH SIDE MODELS



REDUCE HEIGHT BY 3 INCHES FOR INSTALLATION OF CHILDRENS ADA COOLER

LEGEND:

- A = Recommended Water Supply location. Shut-off Valve (not furnished) to accept 3/8" O.D. unplated copper tube. Up to 3" (76mm) maximum out from wall.
 - B = Recommended Waste Outlet location. To accommodate 1-1/2" nominal drain. Drain stub 2" (51mm) out from wall.
 - C = 1-1/2" Trap (not furnished).
 - D = Electrical Supply (3) Wire Recessed Box Duplex Outlet.
 - E = Insure proper ventilation by maintaining 6" (152mm) minimum clearance from cabinet louvers to wall.
 - F = 7/16" (11mm) Bolt Holes for fastening to wall.
- NOTE: New Installations Must Use Ground Fault Circuit Interrupter (GFCI)

Job Name:	_____
Model:	_____ Qty. _____
Contact:	_____
Approval Signature:	_____
Notes:	_____

Versatile Bi-Level Water Cooler Pushbar Activated

Models EZ(S)TL8 and Model EZ(S)TLDD

ELKAY® ROUGH-IN DIMENSIONS

RATED FOR INDOOR USE ONLY

IMPORTANT! INSTALLER PLEASE NOTE:

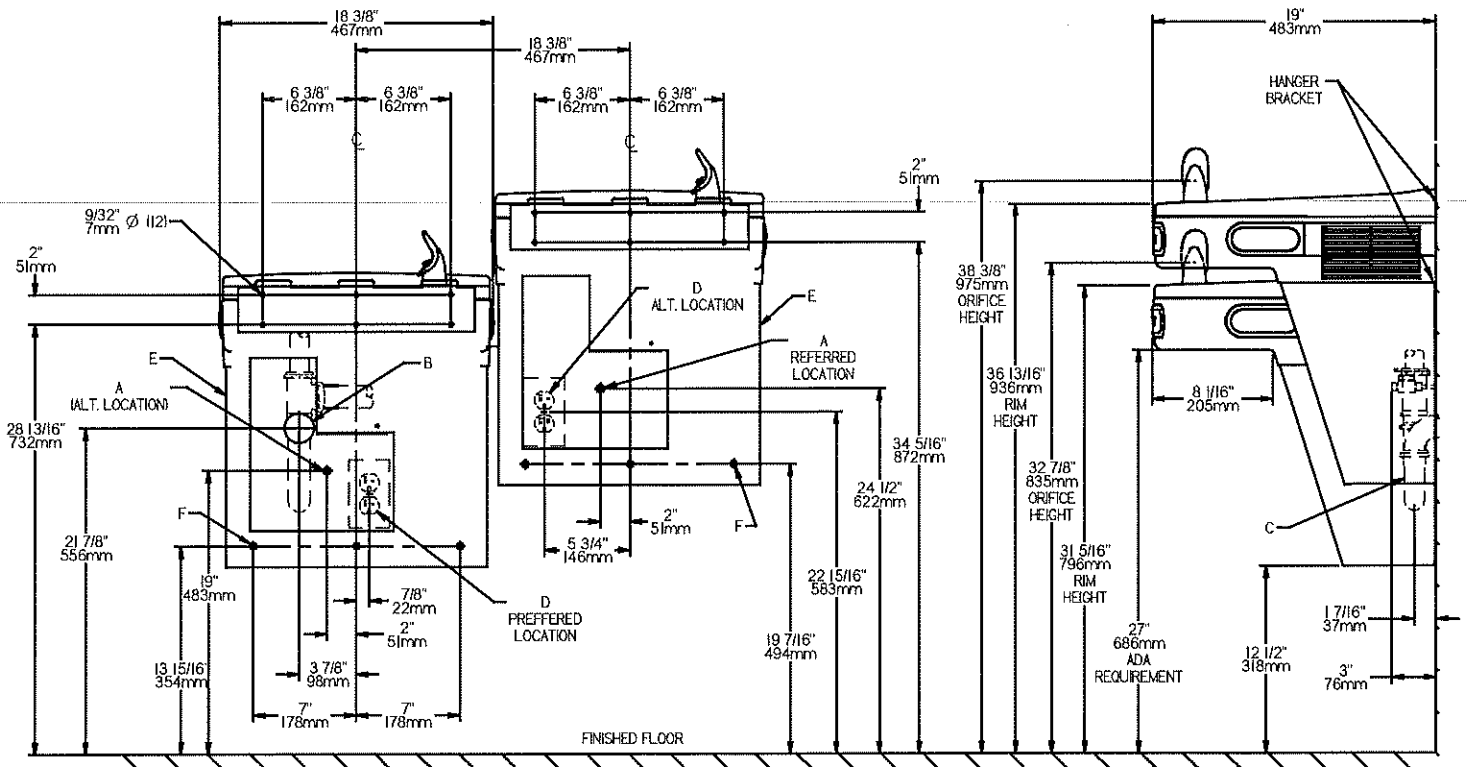
These units are designed and built to provide water to the user which has not been altered by materials in the cooler waterway. The grounding of electrical equipment such as telephone, computers, etc. to water lines is a common procedure. This grounding may be in the building but may also occur away from the building. This grounding can cause electrical feedback into a water cooler creating an electrolysis which results in a metallic taste or an increase in the metal content of the water. This condition is avoidable by installing the cooler using the proper materials as shown.

NOTICE

This water cooler must be connected to the water supply using a dielectric coupling. The cooler is furnished with a non-metallic strainer which meets this requirement. The drain trap which is provided by the installer should also be plastic to completely isolate the cooler from the building plumbing system.

Model shown with Flexi-Guard® bubbler.

ROUGH-IN FOR RIGHT-HAND HIGH SIDE MODELS



REDUCE HEIGHT BY 3 INCHES FOR INSTALLATION OF CHILDRENS ADA COOLER

LEGEND:

- A = Recommended Water Supply location. Shut-off Valve (not furnished) to accept 3/8" O.D. unplated copper tube. Up to 3" (76mm) maximum out from wall.
- B = Recommended Waste Outlet location. To accommodate 1-1/2" nominal drain. Drain stub 2" (51mm) out from wall.
- C = 1-1/2" Trap (not furnished).
- D = Electrical Supply (3) Wire Recessed Box Duplex Outlet.
- E = Insure proper ventilation by maintaining 6" (152mm) minimum clearance from cabinet louvers to wall.
- F = 7/16" (11mm) Bolt Holes for fastening to wall.

NOTE: New Installations Must Use Ground Fault Circuit Interrupter (GFCI)

Job Name: _____	
Model: _____	Qty. _____
Contact: _____	
Approval Signature: _____	
Notes: _____	

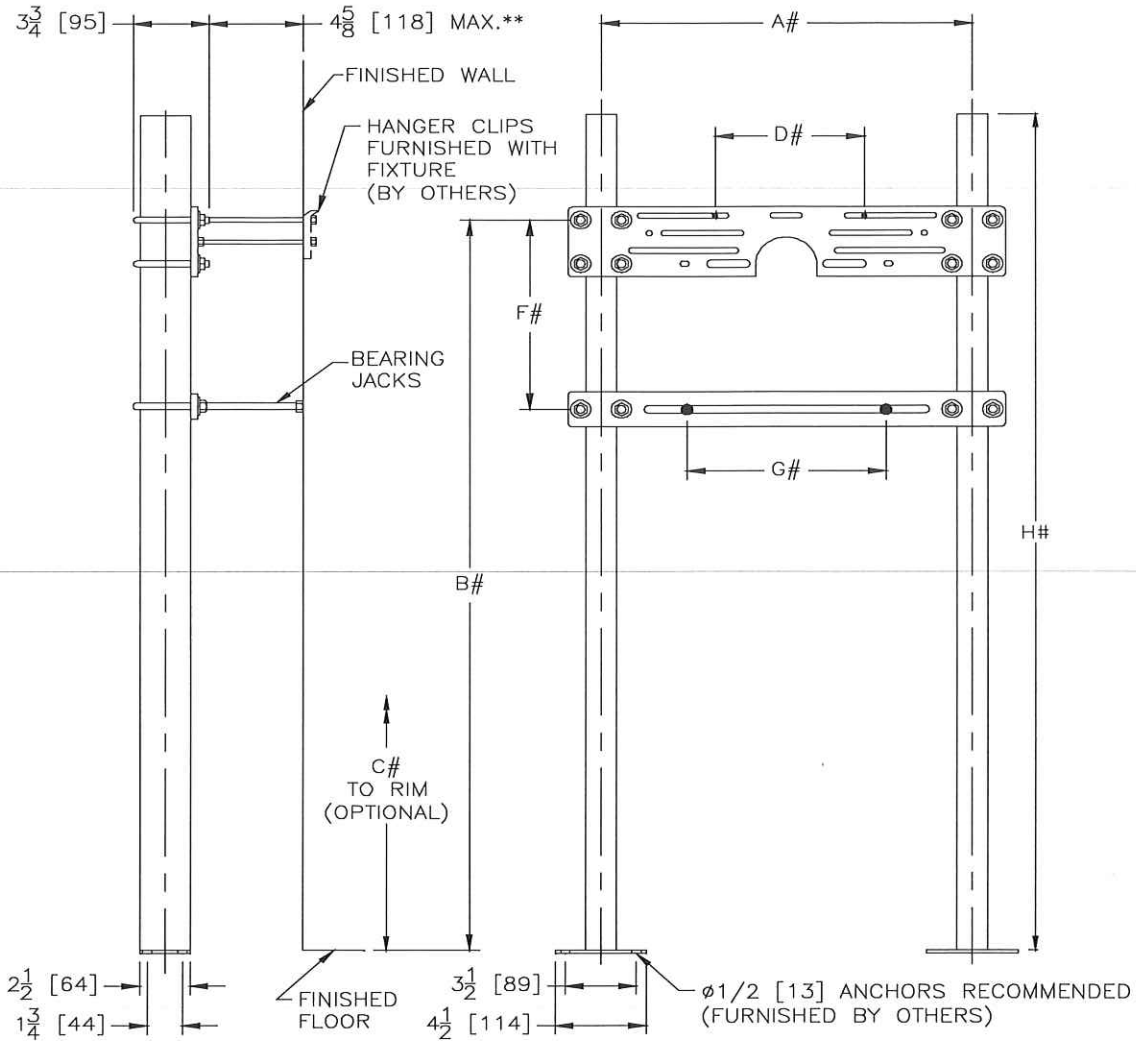


Z1225
PLATE TYPE SYSTEM
WATER COOLERS

SPECIFICATION SHEET

TAG _____

Dimensional Data (inches and [mm]) are Subject to Manufacturing Tolerances and Change Without Notice



NOTES:
 #REFER TO ROUGH-IN GUIDE OF SPECIFIC FIXTURE FOR DIMENSION
 ** WITH STANDARD STUD LENGTH OF 6 [152].

Product No.	Approx. Wt. Lbs. [kg]
Z1225	30 [14]

ENGINEERING SPECIFICATION: ZURN Z1225

Water cooler support system with top and bottom plates. Complete with Dura-Coated rectangular steel uprights with welded feet, adjustable support plates, and mounting fasteners.

OPTIONS (Check/specify appropriate options)

PREFIXES

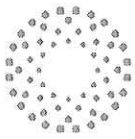
x ___ Z Dura-Coated System with Universal Plate*

SUFFIXES

- xx ___ -BL Bi-Level Cooler Support
- ___ -CB Carrier Bank
- ___ -D Back to Back System

* Regularly furnished unless otherwise specified.

EWS-1
GUARDIAN G1814 EYEWASH
TA-300 MIXING VALVE



G1814 Eyewash, Wall Mounted, Stainless Steel Bowl



Application: Eyewash with stainless steel bowl for wall mounting. Two GS-Plus™ spray-type outlet heads deliver a flood of water for rinsing eyes.

Spray Head Assembly: Two GS-Plus™ spray heads. Each head has a "flip top" dust cover, internal flow control and filter to remove impurities from the water flow.

Valve: 1/2" IPS chrome plated brass stay-open ball valve. Valve is US-made with chrome plated brass ball and PTFE seals.

Bowl: 11-1/8" diameter stainless steel.

Mounting: Heavy duty cast aluminum wall bracket with corrosion resistant powder coated finish.

Supply: 1/2" NPT female inlet.

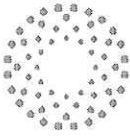
Waste: 1-1/4" NPT female outlet.

Sign: ANSI-compliant identification sign.

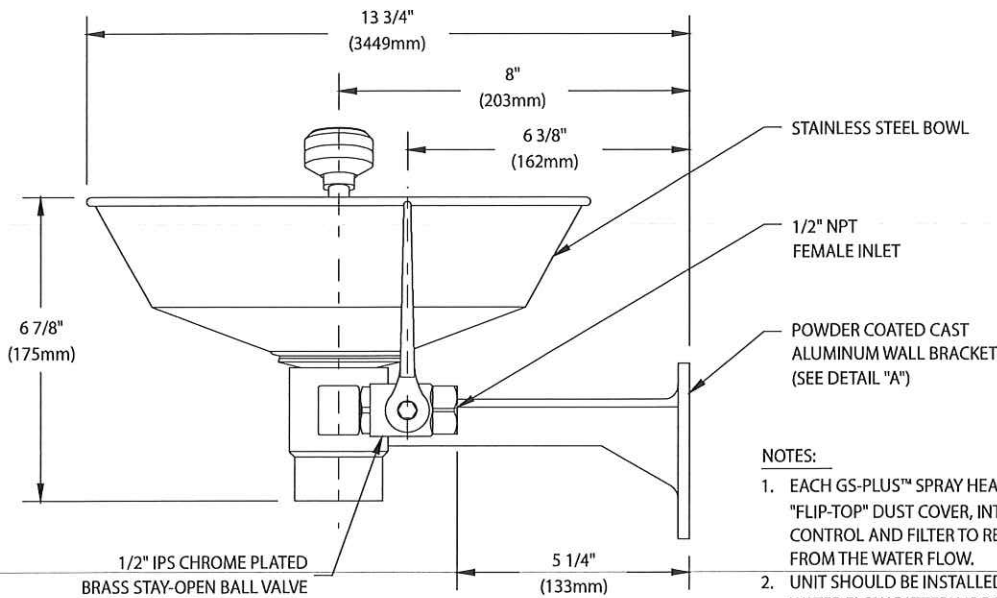
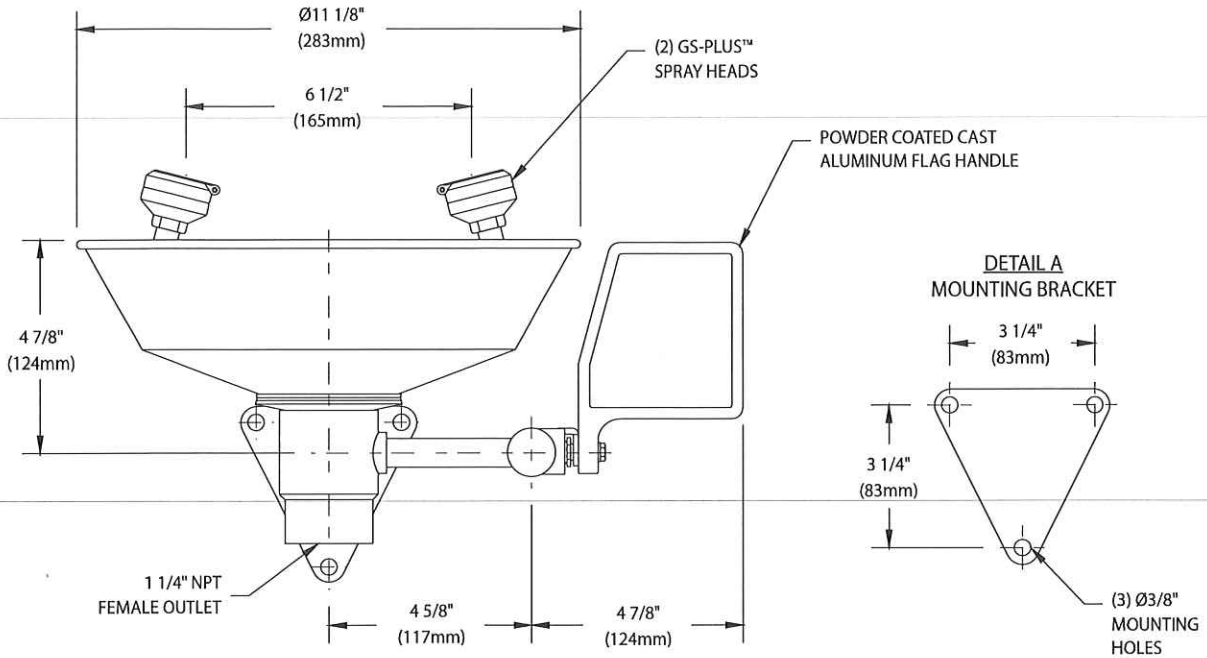
Quality Assurance: Unit is completely assembled and water tested prior to shipment.

Available Options

- G6020** Thermostatic mixing valve precisely blends hot and cold water to deliver tepid water as required by ANSI Z358.1-2014. Refer to "Thermostatic Mixing Valves" section for complete technical and product selection information.
- BC** Stainless steel bowl cover. Cover protects unit against contaminants. Cover is automatically raised when unit is activated.
- HS** Auxiliary hand-held drench hose for rinsing eyes, face or body.
- T** Chrome plated brass tailpiece and trap with 1-1/2" IPS waste connection.
- TP** 1-1/2" OD chrome plated brass tailpiece.



G1814 Eyewash, Wall Mounted, Stainless Steel Bowl



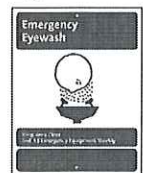
NOTES:

1. EACH GS-PLUS™ SPRAY HEAD HAS A "FLIP-TOP" DUST COVER, INTERNAL FLOW CONTROL AND FILTER TO REMOVE IMPURITIES FROM THE WATER FLOW.
2. UNIT SHOULD BE INSTALLED SO THAT WATER FLOW PATTERN IS POSITIONED BETWEEN 33" AND 53" ABOVE FLOOR.

THIS SPACE FOR ARCHITECT/ENGINEER APPROVAL

Due to continuing product improvement, the information contained in this document is subject to change without notice. All dimensions are $\pm 1/4"$ (6mm). rev. 080918

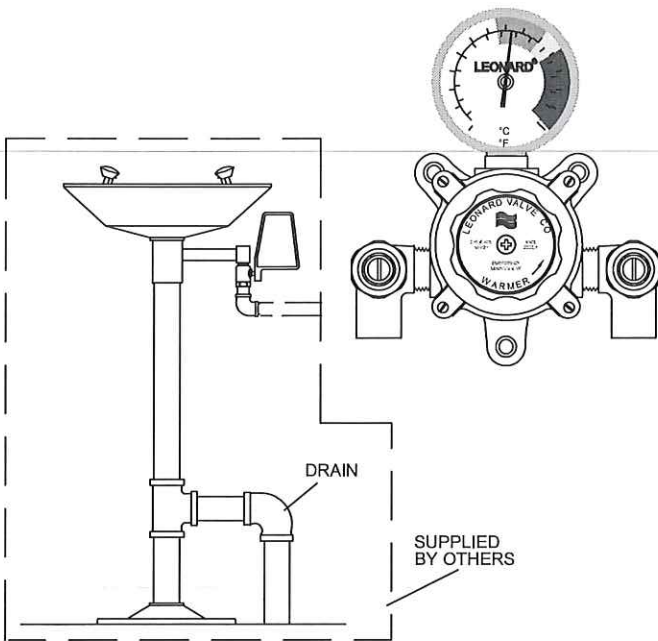
Sign Included



EMERGENCY MIXING VALVES

ECO-MIX™

This product is certified to meet Low Lead requirements of wetted surface area containing less than 0.25% lead by weight



WARNING: This product can expose you to chemicals including lead, which is known to the State of California to cause cancer. For more information, go to www.P65Warnings.Ca.gov

Engineer's Approval

Job # _____

Arch/Eng. _____

Contractor _____

CAUTION! All thermostatic water mixing valves have limitations. They will NOT provide the desired accuracy outside of their flow capacity range. Consult the Flow Capacity Chart and DO NOT OVERSIZE. Minimum flow must be no less than as indicated.

***NOTE:** A limit stop, set for 90°F (32°C), is simply a mechanical setting to prevent excessive handle rotation. If incoming water is hotter than 135°F (57°C), the temperature of the factory test, the valve when turned to full HOT may deliver water in excess of 90°F and the limit stop **MUST BE RESET BY THE INSTALLER**

**Exposed Assembly for
 Eye/Face Wash Units**
 2 - 9 GPM (7.6 - 34 l/min) flow rate
 up to 45 PSI (3.1 bar) system pressure drop

TA-300-LF

ASSE 1071 Certified



CSA Certified



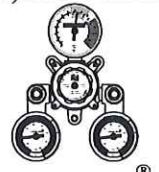
TA-300-LF

- DURA-trol® solid bimetal thermostat directly linked to valve porting to control the intake of hot and cold water and compensate for supply temperature and pressure fluctuations. DURA-trol® is highly responsive and cannot be damaged by extremes in temperature.
- Thermostatic Mixing Valve can be set to the correct temperature for the application.
- Locking temperature regulator to prevent accidental movement set for 85°F (29°C)
- Mixing valve will close down on failure of cold water supply
- Mixing valve with special internal cold water bypass capable of a minimum of 4 GPM (15 l/min) @ 30 PSI (2.1 Bar) upon failure of hot water supply
- Adjustable high temperature limit stop * set for 90°F (32°C)
- Integral wall support
- Threaded ½" top or bottom inlets
- Threaded ½" top outlet
- Rough bronze finish
- Dial thermometer (range 0 to 140°F, -10 to 60°C)
- Angle checkstops on inlets
- Compliance.....ANSI Z358.1
- Maximum supply temperature 180 °F (82°C)
- Maximum supply pressure 125 PSI (8.6 Bar)

OPTIONS

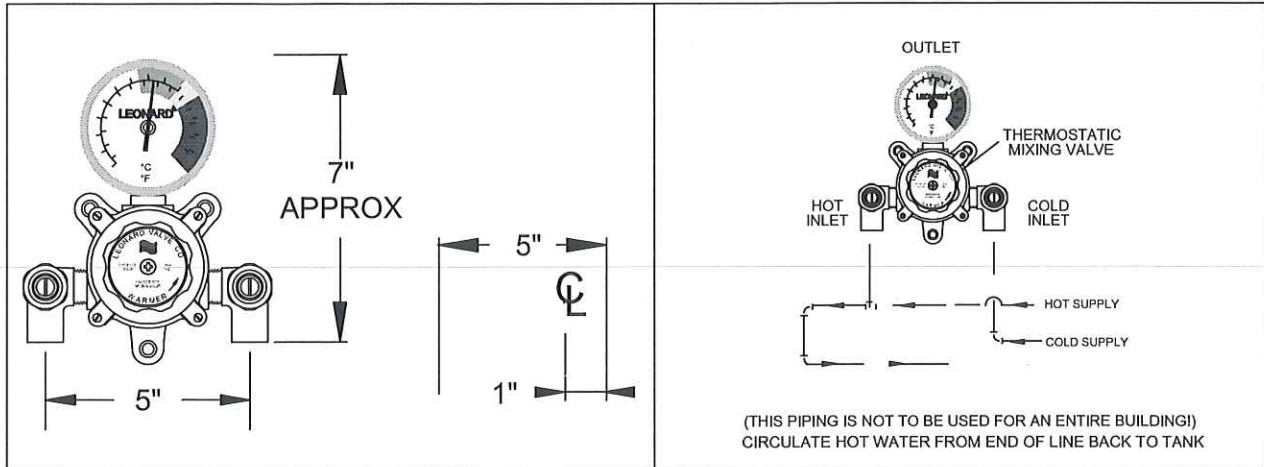
- ___ CP- Chrome plated finish (threaded inlets and outlet)
- ___ IT- Inlet thermometers (0 to 140°F, -10 to 60°C)

SUFFIX IT



1360 Elmwood Avenue, Cranston, RI 02910 USA
 Phone: 401.461.1200 Fax: 401.941.5310
 Email: info@leonardvalve.com
 Web Site: <http://www.leonardvalve.com>

EMERGENCY WATER MIXING VALVE FOR EYE/FACE WASH



CAUTION! It may be necessary to recirculate the tempered water to the eye/face wash should the piping be exposed to excessive hot or cold conditions. Consult factory for proper piping.

FLOW CAPACITIES

MODEL	IN	OUT	MINIMUM FLOW (GPM) LMIN	INTERNAL COLD WATER BY-PASS MINIMUM	PRESSURE DROP									PSI BAR
					5	10	15	20	25	30	35	40	45	
TA-300-LF	1/2"	1/2"	2.0	4	2.0	2.7	3.5	4.5	5.5	6.5	7.5	8.5	9.0	GPM
			7.6	15	7.6	10	13	17	21	25	28	32	34	LMIN
MAXIMUM FLOW CAPACITY														

The Emergency eye/face wash Mixing Valve shall control and maintain the temperature of the water to the station. Unit shall be self contained and include a thermostatic water mixing valve, a dial thermometer on the outlet, angle checkstops, wall mounting bracket, piping and fittings factory assembled and tested, top or bottom inlets and top outlet, unit set for 85°F (29°C) and a maximum temperature of 90°F (32°C). Unit must be able to be set to the correct temperature for the specific contaminant but must be locked in place to prevent changing of the temperature by accident. Unit must be checked weekly for performance in conjunction with the requirements of ANSI Z358.1. Unit shall be able to flow a minimum flow of 4 GPM (15 l/min) at 30 PSI (2.1 Bar).

WARNING! IT IS THE RESPONSIBILITY OF THE SPECIFIER TO DETERMINE THE DELIVERED WATER TEMPERATURE TO EACH SAFETY FIXTURE. A COMFORTABLE RANGE IS 60°F TO 90°F (15° TO 32°C). IN CIRCUMSTANCES WHERE A CHEMICAL REACTION IS ACCELERATED BY WATER TEMPERATURE, A MEDICAL ADVISOR SHOULD BE CONSULTED FOR THE OPTIMUM TEMPERATURE FOR EACH APPLICATION.

Specifications are subject to change without notice!

CAUTION! All thermostatic water mixing valves have limitations. They will NOT provide the desired accuracy outside of their flow capacity range. Consult the Flow Capacity Chart and DO NOT OVERSIZE. Minimum flow must be no less than indicated.



1360 Elmwood Avenue, Cranston, RI 02910 USA

Phone: 401.461.1200 Fax: 401.941.5310

Email: info@leonardvalve.com

Web Site: <http://www.leonardvalve.com>


FPRH
WOODFORD SRH-MS
ROOF HYDRANT

The Woodford, ASSE 1057 listed, SRH Roof Hydrant is intended for irrigation purposes and to provide water, in any weather condition, on commercial building roofs. Applications include window washing, cleaning of condenser coils, cooling towers, green roofs and other types of roof top equipment. The SRH is backflow protected with a field testable ASSE 1052 double check backflow preventer.


The SRH does not require a drain line from the valve body located inside the building.

The SRH-MS with Mounting System allows for installation flexibility. It is not necessary to install hydrant when hydrant support is mounted to the roof. The hydrant support utilizes a 3" diameter opening that allows the hydrant to be installed or easily removed at a later time. All necessary mounting hardware for proper installation on a commercial roof is supplied, including a 2 degree shim for pitch adjustment.

Hydrant Features:

- ASSE 1057 Listed 
- No Drain Line Required - *With the hose removed*, a venturi action draws water out of the internal reservoir and discharges out the backflow preventer.
- Superior reservoir evacuation times without removing the backflow preventer.
- Variable flow plunger for longer life is not easily damaged and assures proper shut-off.
- Large easy to open lift handle.
- Adjustable link for easy adjustment and positive lever lock tension.
- All hydrant repairs can be made from top without removing hydrant.

Specifications:

- Hose Connection Backflow Preventer:
 - Model 50H with 3/4" hose connection
 - ASSE 1052 Listed 
 - Field Testable Dual Check holds against 125 psi backflow pressure
- 3/4" NPT female inlet connection.
- 1 1/2" U.S. made galvanized pipe.
- **Maximum Working Pressure:** 100 p.s.i.
- **Maximum Temperature:** 120° F

SRH WARNING	Supply PSI	Run Time
After each use, run hydrant without a hose to ensure proper evacuation.	60	5 seconds
	25	15 seconds

Mounting System: *(Can be ordered Separately)*

- Cast iron Hydrant Support
- Cast iron Under Deck Flange
 - 4 bolts draw tight against the roof decking and the hydrant support.
 - 3 clamp screws tighten against the hydrant pipe to secure the hydrant's vertical position through the roof.
- Well Seal seals tight between the hydrant support and hydrant pipe.
- EPDM Boot covers well seal and top of hydrant support.
- 2° Shim is supplied, if needed, for installation on pitched roofs.

Manufactured under U.S. patent 7,472,718; 7,730,901 and patents pending.

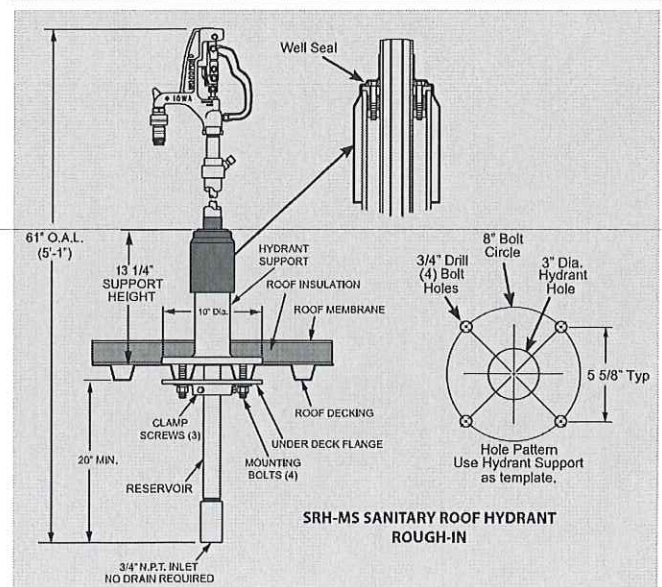
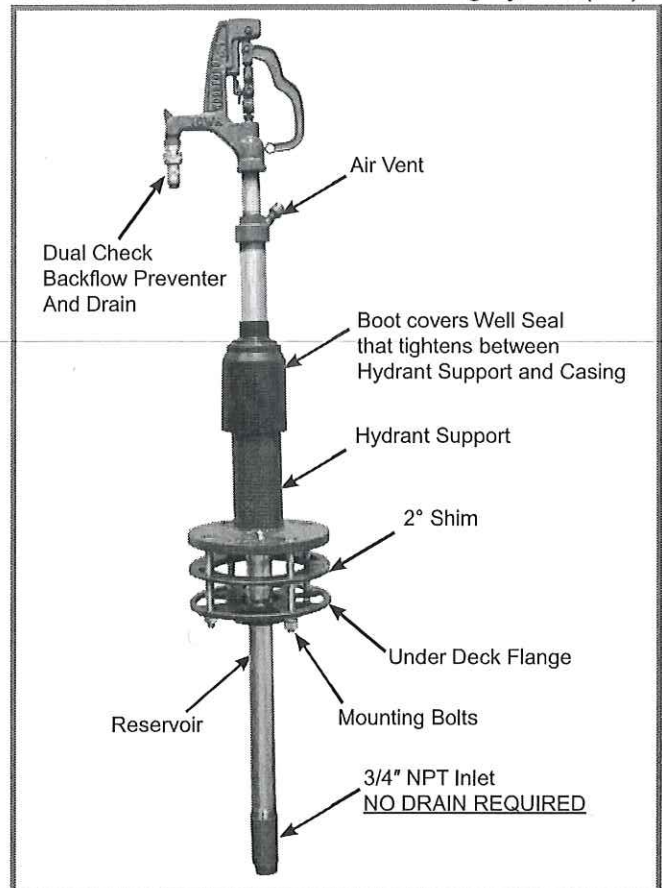
For Installation / Troubleshooting Instructions go to www.woodfordmfg.com or call 1-800-621-6032



Freezeless Sanitary Roof Hydrant No Drain Line Required!

Model SRH-MS

Can be ordered with or without Mounting System (MS).

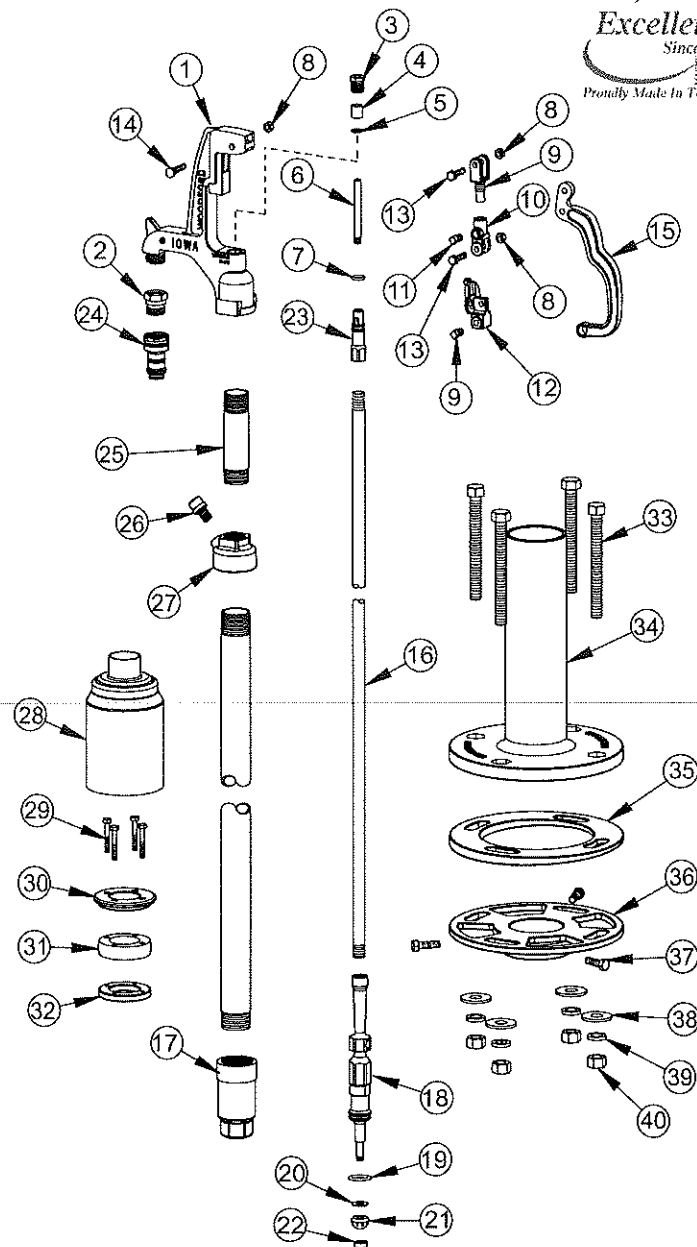


Woodford

Excellence
Since 1929
Proudly Made In The U.S.A.

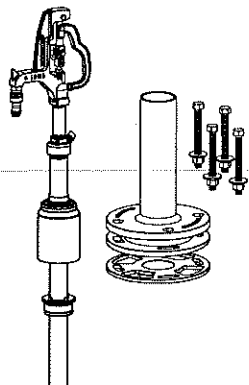
MODEL SRH-MS PARTS LIST

ITEM	PART#	DESCRIPTION
	15126	SRH Head Assembly (Includes Items 1-15, 23 & 24)
1	10632	SRH Head
2	10004	3/4" Brass Hose Nozzle
3	10100	Packing Nut
4	10101	Packing
5	10102	Packing Support Washer
6	15121	Brass Rod Stem
7	10117	O-Ring - 206
8	10206	Hex Nut (3)
9	10614	RH Upper Link
10	15242	RH Lower Link (Includes Item 11)
11	10019	Set Screw (2)
12	15243	RH Cam & Clevis Assembly
13	10020	Link Bolt (2)
14	10021	Lever Bolt
15	10613	RH Lever
16	10024	Operating Pipe
17	15122	Valve Body (3/4" NPT Inlet)
18	15123	Venturi Assembly
19	10118	Valve Body O-Ring
20	50027	Support Washer
21	51013	Ball Valve Rubber
22	50028	Round Brass Nut
23	10116	Sealing Head Coupling
24	50H-BR	50H Backflow Preventer
25	15120	Upper Pipe Assembly
26	15124	SRH Vent Assembly
27	15125	SRH Casing Cover
28	10608	RH Boot, EPDM
29	10625	Bolt, Allen Head 1/4-20 X 1 3/4" (4)
30	10626	Well Seal-1 1/2", Top
31	10119	Well Seal-1 1/2", EPDM
32	10627	Well Seal-1 1/2", Bottom
33	10584	Bolt, Hex Head 5/8-11 X 6" (4)
34	10579	Hydrant Support, Casting
35	10581	2" Shim, Casting
36	10580	Under Deck Flange
37	10607	Screw, Clamp 3/8-16 Hex Head X 1 3/4" (3)
38	10604	Washer, Plain 5/8 (4)
39	10605	Washer, Lock 5/8 (4)
40	10585	Nut, Hex 5/8-11 UNC (4)
	RK-SRH	Repair Kit (Includes items 3-7, 19-22)
	RK-RHL	Repair Kit (Includes items 8-15)



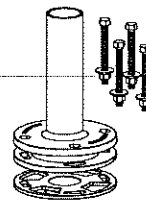
When ordering, specify SRH part number option listed below.

Part# SRH-MS Consists of the complete Rough Hydrant system:
Qty. 1 SRH Hydrant shipped in 1 carton.
Qty. 1 RH-MS Mounting System shipped in 1 carton.



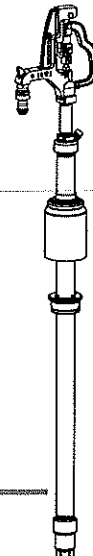
Total Shipping Wt. 2 cartons: 50 lbs

Part# RH-MS Carton contents consists of:
Mounting System/
Rough-In Components (Parts 33-40 above)
• Hydrant Support
• 2" Shim,
• Under Deck Flange
• Mounting Bolts, Nuts, Washers.



Shipped in 1 Carton.
Shipping Wt. - 30 lbs

Part# SRH Carton contents consists of:
• Hydrant Assembly (Parts 1-32 above)
• Well Seal (Parts 28-32 above)
• Boot (Part 28 above)



Shipped in 1 Carton.
Shipping Wt. - 20 lbs

For more information contact...

WOODFORD MANUFACTURING COMPANY

2121 Waynoka Road, Colorado Springs, Colorado 80915 • Phone: (800) 621-6032 • Fax: (800) 765-4115
To view our complete product line visit: www.woodfordmfg.com or email: sales@woodfordmfg.com
A Division Of WCM Industries, Inc.

FCO
ZURN ZN1400
FLOORCLEANOUT W/ NB TOP



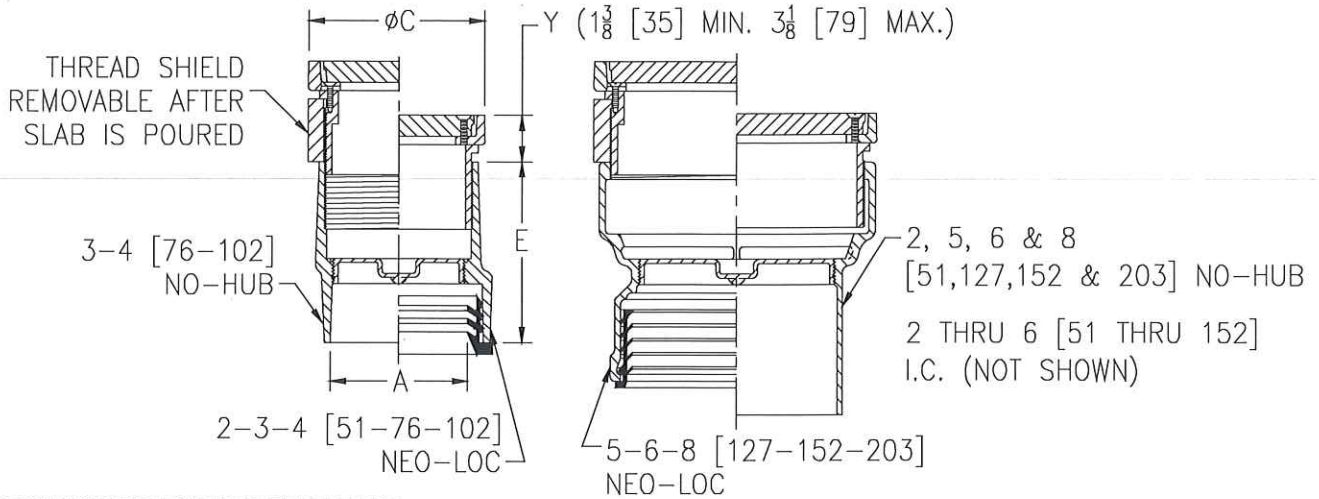
Z1400

EXTRA-HEAVY-DUTY "LEVEL-TROL" ADJUSTABLE FLOOR CLEANOUT

SPECIFICATION SHEET

TAG FCO _____

Dimensional Data (inches and [mm]) are Subject to Manufacturing Tolerances and Change Without Notice



ENGINEERING SPECIFICATION: ZURN Z1400

"Level-Trol" Adjustable floor cleanout, Dura-Coated cast iron body with gas and watertight ABS tapered thread plug and round scoriated cast iron extra-heavy-duty secured top (Specify finish Z, ZB, ZN, ZS) adjustable to finished floor.

Dimension In Inches			Approx. Wt. Lbs. [kg.]
A-Pipe Size	C	E	
Inside Caulk			
2 [51]	6-1/8 [156]	6-7/8 [175]	13.8 [6.3]
3 [76]	6-1/8 [156]	6-7/8 [175]	14 [6.4]
4 [102]	7-1/4 [184]	6-7/8 [175]	18.3 [8.3]
5 [127]	8-1/4 [210]	6-7/8 [175]	22.6 [10.3]
6 [152]	9-1/4 [235]	6-7/8 [175]	32.2 [14.6]
No-Hub			
2 [51]	4-1/8 [105]	4-5/8 [117]	7 [3]
3 [76]	4-1/8 [105]	4-3/4 [121]	7.7 [3.5]
4 [102]	5-1/8 [130]	4-3/4 [121]	10.3 [4.7]
5 [127]	7-1/4 [184]	7-1/2 [191]	17.6 [8]
6 [152]	8-1/4 [210]	4-3/4 [121]	22.2 [10.1]
8 [203]	9-1/4 [235]	7-1/2 [191]	29.9 [13.6]
Neo-Loc			
2 [51]	4-1/8 [105]	4-3/4 [121]	7.9 [3.6]
3 [76]	5-1/8 [130]	4-3/4 [121]	10.6 [4.8]
4 [102]	5-1/8 [130]	4-3/4 [121]	11.9 [5.4]
5 [127]	7-1/4 [184]	6-1/2 [165]	18.7 [8.5]
6 [152]	8-1/4 [210]	5-7/8 [149]	21.9 [9.9]
8 [203]	9-1/4 [235]	6-1/2 [165]	23.5 [10.7]

OPTIONS (Check/specify appropriate options)

PREFIXES

- Z Dura Coated Cast Iron*
- ZB D.C.C.I. w/ Polished Bronze Light-Duty Top (Deduct 1/2 [13] from 'Y' Dim.)
- ZN D.C.C.I. w/ Polished Nickel Bronze Light-Duty Top (Deduct 1/2 [13] from 'Y' Dim.)
- ZS D.C.C.I. w/ Polished Stainless Steel Extra-Heavy-Duty Top (Add 3/16 [5] to 'Y' Dim.)

SUFFIXES

- AR Acid Resisting Epoxy Coated Finish
- BP Bronze Plug
- CF Carpet Flange Cover (ZB and ZN only)
- CM Carpet Marker
- DC Duresist Cover
- DX Round ZB or ZN Top with Dex-o-tex Flange (2 thru 4 [51 thru 102] Sizes only)
- G Galvanized Cast Iron
- HD Extra-Heavy-Duty Veneer Top (Add 1/8 [3] to 'Y' Dim.) (ZB and ZN only)
- K Anchor Flange
- KC Anchor Flange w/ Clamping Collar
- PC Protective Cover
- SG Solid Gasketed Cover
- SM Special Marking Stamped on Top
- T Square Top
- TC Neo-Loc Test Cap Gasket (2-4 [51-102] NL Bottom Outlet Only)
- TX Square Top Recessed for 1/8 [3] Tile (ZB and ZN only)
- VP Vandal-Proof Screws
- X Round Top Recessed for 1/8 [3] Tile (ZB or ZN only)
- Z Round Top Recessed for 1-1/4 [32] Terrazzo (ZB or ZN only)

PIPE SIZE

- 2-3-4-5-6 [51-76-102-127-152]
- 2-3-4-5-6-8 [51-76-102-127-152-203]
- 2-3-4-5-6-8 [51-76-102-127-152-203]

(Specify size/type) OUTLET

- IC Inside Caulk
- NH No-Hub
- NL Neo-Loc

'E' BODY HT. DIM.

- See Chart
- See Chart
- See Chart

* Regularly furnished unless otherwise specified.

Zurn Industries, LLC | Specification Drainage Operation
1801 Pittsburgh Avenue, Erie, PA U.S.A. 16502 · Ph. 855-663-9876, Fax 814-454-7929
In Canada | Zurn Industries Limited
3544 Nashua Drive, Mississauga, Ontario L4V 1L2 · Ph. 905-405-8272, Fax 905-405-1292

Rev. Q
Date: 06/04/14
C.N. No. 131071
Prod. I Dwa. No. Z1400

COTG
ZURN Z1400
FLOORCLEANOUT W/ CAST IRON TOP



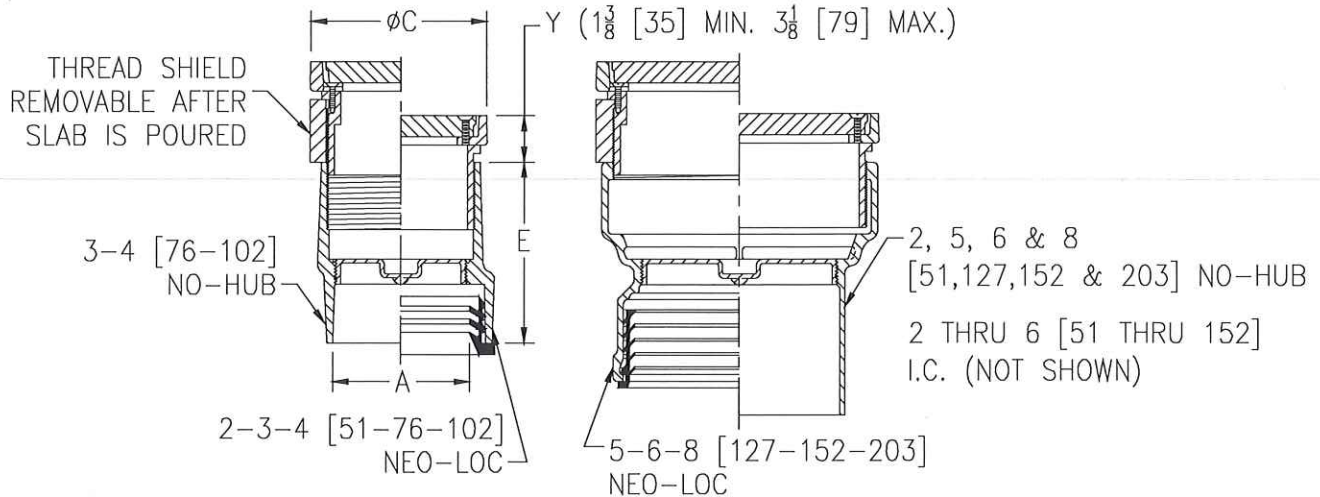
Z1400

EXTRA-HEAVY-DUTY "LEVEL-TROL" ADJUSTABLE FLOOR CLEANOUT

SPECIFICATION SHEET

TAG FCOTG

Dimensional Data (inches and [mm]) are Subject to Manufacturing Tolerances and Change Without Notice



ENGINEERING SPECIFICATION: ZURN Z1400

"Level-Trol" Adjustable floor cleanout, Dura-Coated cast iron body with gas and watertight ABS tapered thread plug and round scoriated cast iron extra-heavy-duty secured top (Specify finish Z, ZB, ZN, ZS) adjustable to finished floor.

Dimension In Inches			Approx. Wt. Lbs. [kg.]
A-Pipe Size	C	E	
Inside Caulk			
2 [51]	6-1/8 [156]	6-7/8 [175]	13.8 [6.3]
3 [76]	6-1/8 [156]	6-7/8 [175]	14 [6.4]
4 [102]	7-1/4 [184]	6-7/8 [175]	18.3 [8.3]
5 [127]	8-1/4 [210]	6-7/8 [175]	22.6 [10.3]
6 [152]	9-1/4 [235]	6-7/8 [175]	32.2 [14.6]
No-Hub			
2 [51]	4-1/8 [105]	4-5/8 [117]	7 [3]
3 [76]	4-1/8 [105]	4-3/4 [121]	7.7 [3.5]
4 [102]	5-1/8 [130]	4-3/4 [121]	10.3 [4.7]
5 [127]	7-1/4 [184]	7-1/2 [191]	17.6 [8]
6 [152]	8-1/4 [210]	4-3/4 [121]	22.2 [10.1]
8 [203]	9-1/4 [235]	7-1/2 [191]	29.9 [13.6]
Neo-Loc			
2 [51]	4-1/8 [105]	4-3/4 [121]	7.9 [3.6]
3 [76]	5-1/8 [130]	4-3/4 [121]	10.6 [4.8]
4 [102]	5-1/8 [130]	4-3/4 [121]	11.9 [5.4]
5 [127]	7-1/4 [184]	6-1/2 [165]	18.7 [8.5]
6 [152]	8-1/4 [210]	5-7/8 [149]	21.9 [9.9]
8 [203]	9-1/4 [235]	6-1/2 [165]	23.5 [10.7]

OPTIONS (Check/specify appropriate options)

PREFIXES

- Z Dura Coated Cast Iron*
- ZB D.C.C.I. w/ Polished Bronze Light-Duty Top (Deduct 1/2 [13] from 'Y' Dim.)
- ZN D.C.C.I. w/ Polished Nickel Bronze Light-Duty Top (Deduct 1/2 [13] from 'Y' Dim.)
- ZS D.C.C.I. w/ Polished Stainless Steel Extra-Heavy-Duty Top (Add 3/16 [5] to 'Y' Dim.)

SUFFIXES

- AR Acid Resisting Epoxy Coated Finish
- BP Bronze Plug
- CF Carpet Flange Cover (ZB and ZN only)
- CM Carpet Marker
- DC Duresist Cover
- DX Round ZB or ZN Top with Dex-o-tex Flange (2 thru 4 [51 thru 102] Sizes only)
- G Galvanized Cast Iron
- HD Extra-Heavy-Duty Veneer Top (Add 1/8 [3] to 'Y' Dim.) (ZB and ZN only)
- K Anchor Flange
- KC Anchor Flange w/ Clamping Collar
- PC Protective Cover
- SG Solid Gasketed Cover
- SM Special Marking Stamped on Top
- T Square Top
- TC Neo-Loc Test Cap Gasket (2-4 [51-102] NL Bottom Outlet Only)
- TX Square Top Recessed for 1/8 [3] Tile (ZB and ZN only)
- VP Vandal-Proof Screws
- X Round Top Recessed for 1/8 [3] Tile (ZB or ZN only)
- Z Round Top Recessed for 1-1/4 [32] Terrazzo (ZB or ZN only)

PIPE SIZE

- 2-3-4-5-6 [51-76-102-127-152]
- 2-3-4-5-6-8 [51-76-102-127-152-203]
- 2-3-4-5-6-8 [51-76-102-127-152-203]

(Specify size/type) OUTLET

- IC Inside Caulk
- NH No-Hub
- NL Neo-Loc

'E' BODY HT. DIM.

- See Chart
- See Chart
- See Chart

* Regularly furnished unless otherwise specified.

Zurn Industries, LLC | Specification Drainage Operation
1801 Pittsburgh Avenue, Erie, PA U.S.A. 16502 · Ph. 855-663-9876, Fax 814-454-7929
In Canada | Zurn Industries Limited
3544 Nashua Drive, Mississauga, Ontario L4V 1L2 · Ph. 905-405-8272, Fax 905-405-1292

Rev. Q
Date: 06/04/14
C.N. No. 131071
Prod. I Dwa. No. Z1400

**WHA
SIOUX CHIEF 650 SERIES
HAMMER ARRESTORS**

WATER HAMMER ARRESTERS

650 SERIES

HydraRester™

SPECIFICATION

Sioux Chief 650 Series piston-type water hammer arresters shall be required in piping systems. Water hammer arresters shall have sufficient volume of air to dissipate the calculated kinetic energy generated in the piping system. Arresters shall be effective when installed at any angle. Arresters shall be approved for installation with no access panel required. Water hammer arresters shall be ANSI/ASSE 1010 2004 certified. Arresters shall be sized and placed per manufacturer's instructions.

INSTALLATION

May be installed at any angle. No access panels required. Compatible with Press Fittings or Push Fittings. Refer to instructions on product package, catalog or website.

MATERIALS

- Arrester body:** type L copper tube
- Piston:** poly piston with two EPDM o-rings
- Male thread fitting:** copper MIP thread
- Piston lubrication:** Dow-Corning, 111 FDA approved silicone compound
- PEX F1960 fitting:** No Lead EcoBrass 69300

CERTIFICATIONS/APPROVALS

Certified by ASSE to the ANSI/ASSE 1010-2004 standard

WORKING LIMITS*

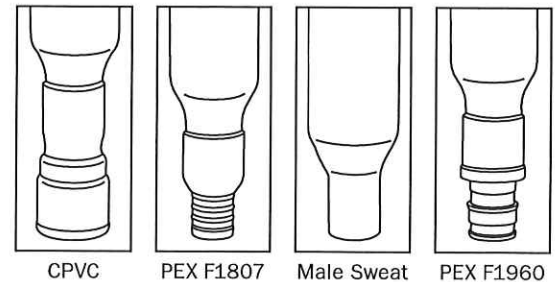
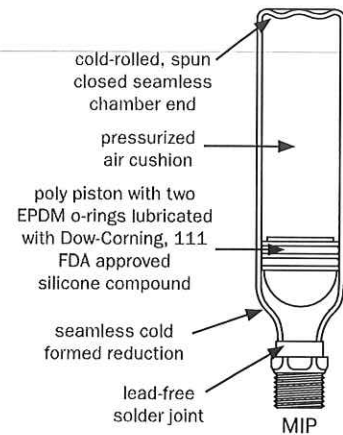
- Max working temperature:** 250°
- Max working pressure:** 350 PSIG
- Burst tested:** to 2,900 PSIG

*PEX and CPVC connection specifications are limited to those called out in their respective ASTM Standards for Fittings (CPVC D2846, PEX F1807, PEX 1960).

DIMENSIONS

Arrester size	A	B	C	D	E	F
Overall height						
Male thread	6½"	8¾"	11"	10⅞"	12⅝"	15⅝"
Male sweat	8¼"	10"	12½"	—	—	—
CPVC	7½"	9½"	12"	—	—	—
PEX F1807	6½"	8¾"	11"	—	—	—
PEX F1960	6½"	8¾"	11"	—	—	—
Chamber width	1⅜"	1⅜"	1⅜"	2⅞"	2⅞"	2⅞"
Connection size	½"	¾"	1"	1"	1"	1"
Volume (cu. in.)	5	7	11	20	29	36
Fixture units	1-11	12-32	33-60	61-113	114-154	155-330

ITEM # SUBMITTED	_____
JOB NAME	_____
LOCATION	_____
ENGINEER	_____
CONTRACTOR	_____
PO#	_____ TAG _____



Choose Item Number

- | | | | |
|---|--|--|--|
| <input type="checkbox"/> 652-A = A size, MIP | <input type="checkbox"/> 652-AS = Sweat/Press-Fit | <input type="checkbox"/> 652-AX = A size, PEX 1807 | <input type="checkbox"/> 652-AC = A size, CPVC socket |
| <input type="checkbox"/> 653-B = B size, MIP | <input type="checkbox"/> 653-BS = Sweat/Press-Fit | <input type="checkbox"/> 653-BX = B size, PEX 1807 | <input type="checkbox"/> 653-BC = B size, CPVC socket |
| <input type="checkbox"/> 654-C = C size, MIP | <input type="checkbox"/> 654-CS = Sweat/Press-Fit | <input type="checkbox"/> 654-CX = C size, PEX 1807 | <input type="checkbox"/> 654-CC = C size, CPVC socket |
| <input type="checkbox"/> 655-D = D size, MIP | | <input type="checkbox"/> 652-AWG = A size, PEX 1960 | |
| <input type="checkbox"/> 656-E = E size, MIP | | <input type="checkbox"/> 653-BWG = B size, PEX 1960 | |
| <input type="checkbox"/> 657-F = F size, MIP | | <input type="checkbox"/> 654-CWG = C size, PEX 1960 | |