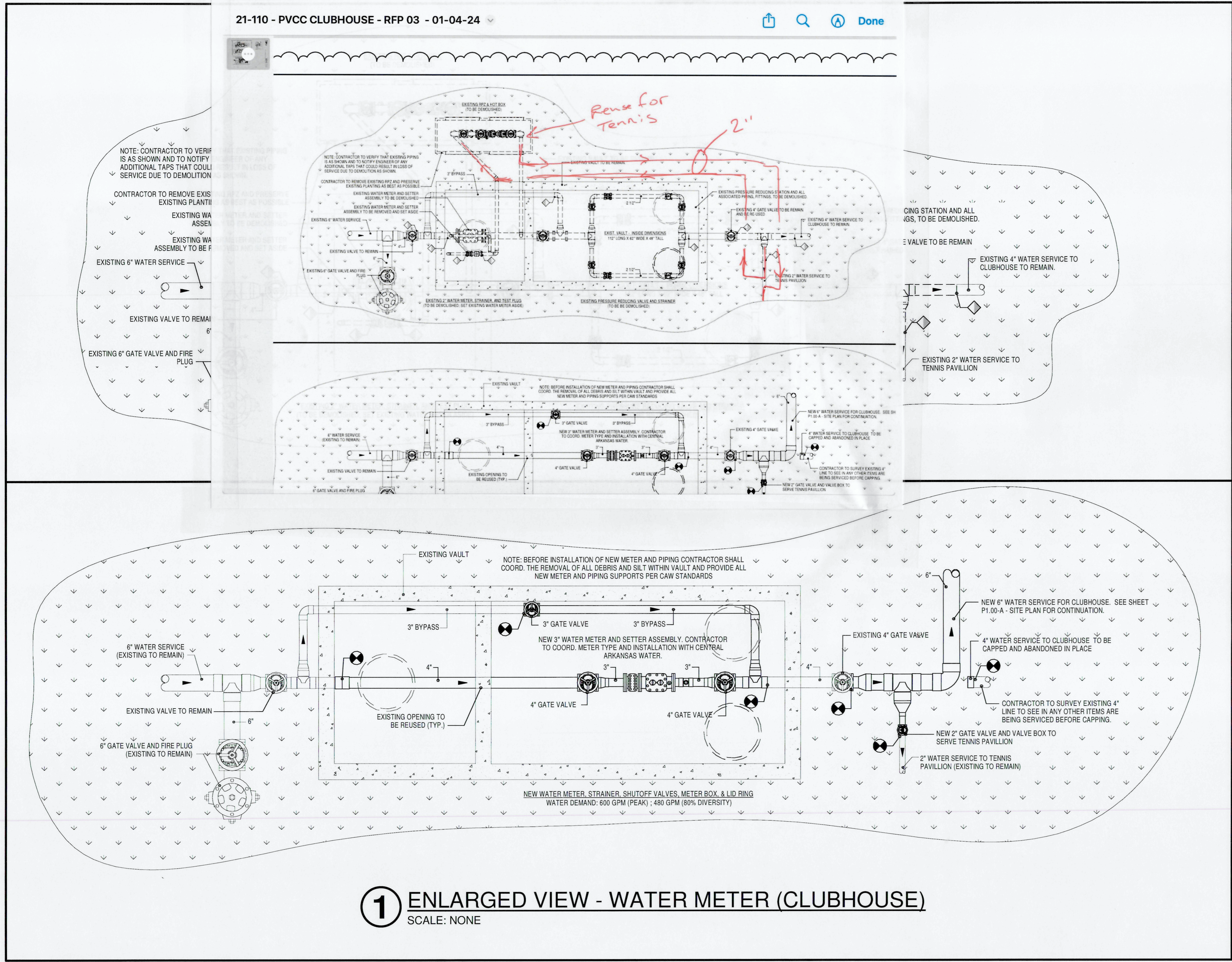
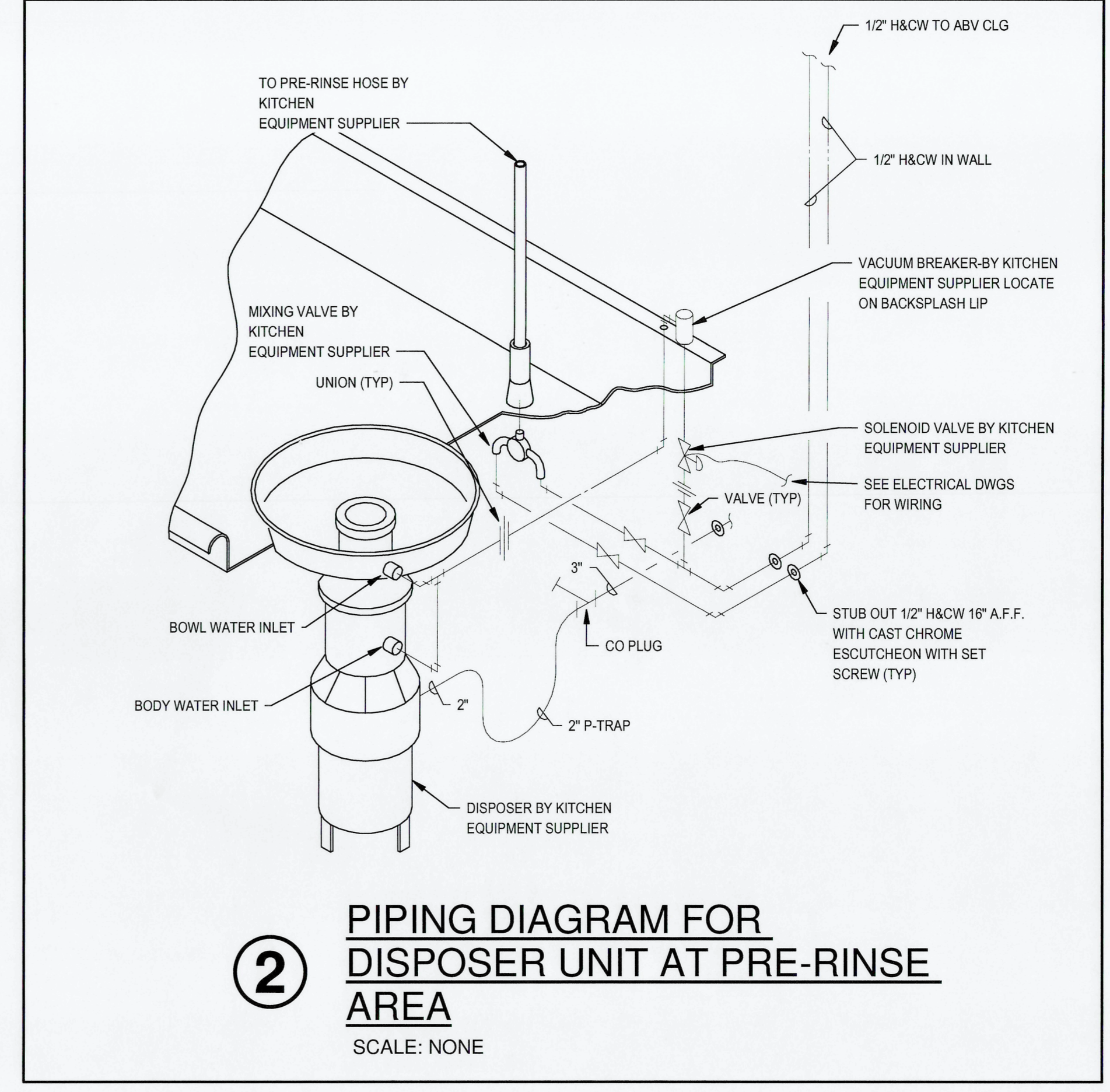


PERMIT SET

21-110 - PVCC CLUBHOUSE - RFP 03 - 01-04-24

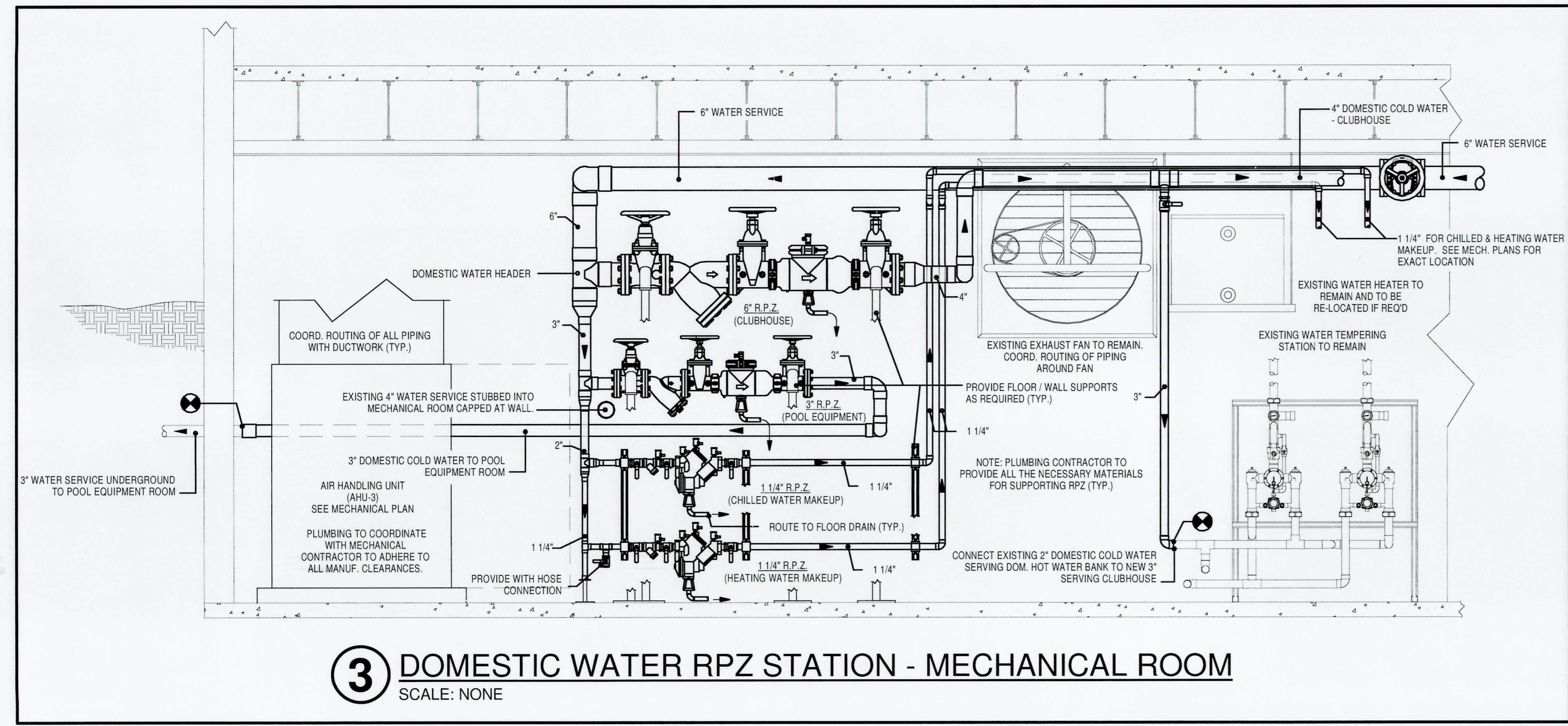


1 ENLARGED VIEW - WATER METER (CLUBHOUSE)
SCALE: NONE



2 PIPING DIAGRAM FOR DISPOSER UNIT AT PRE-RINSE AREA
SCALE: NONE

*RFP 03
P2.04-A revised w/ Pettit sketch*



3 DOMESTIC WATER RPZ STATION - MECHANICAL ROOM
SCALE: NONE

ADDITION AND RENOVATION TO PLEASANT VALLEY COUNTRY CLUB

CLUBHOUSE

1 PLEASANT VALLEY DRIVE
LITTLE ROCK, ARKANSAS 72212

REVISIONS		
1	RFP 03	01-04-24
2	ASI 11	11-17-23
REVISED 01-05-24		

PROJECT NO.
21075
DATE:
June 21, 2023

PLUMBING DETAILS

P2.04-A