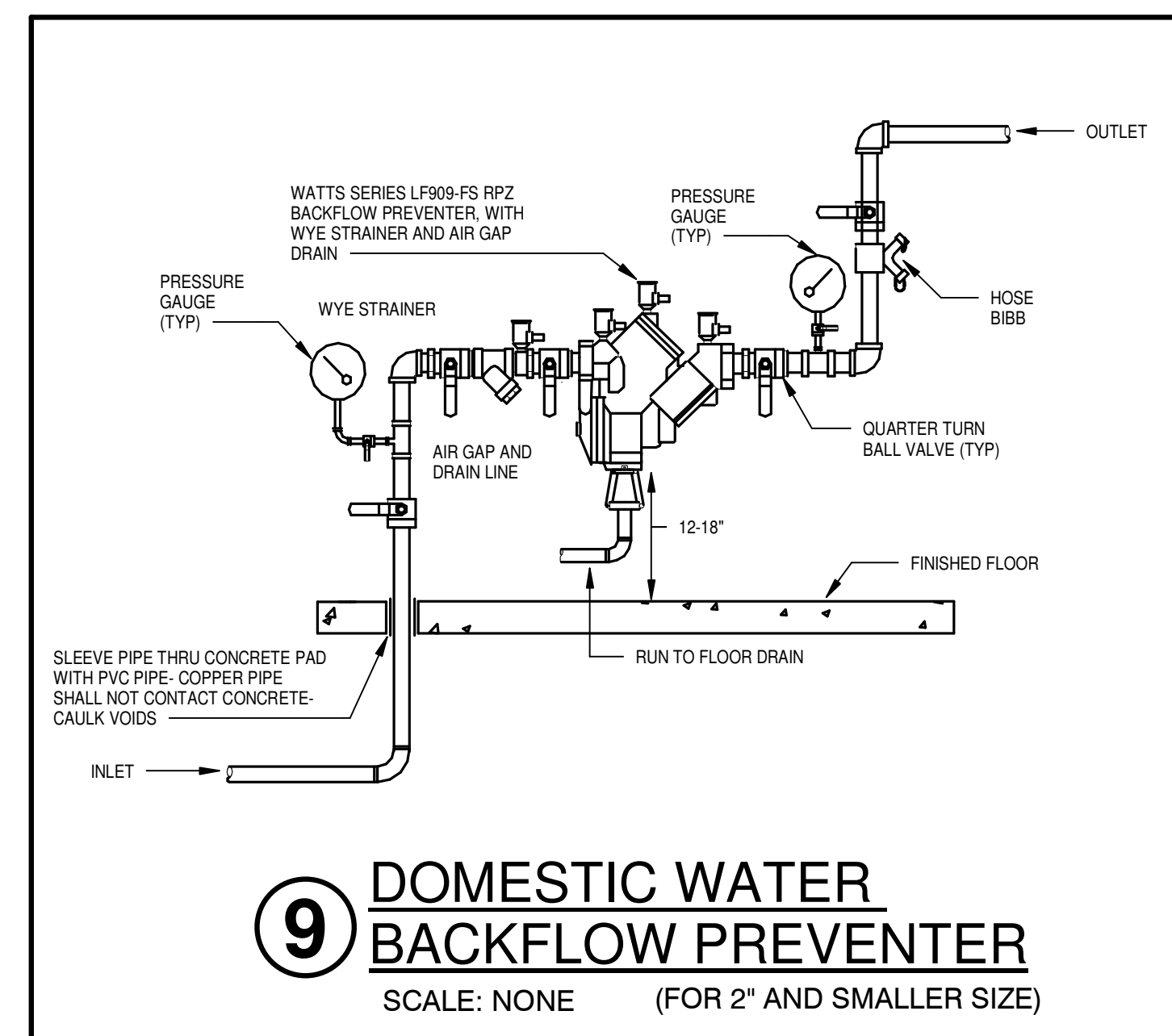
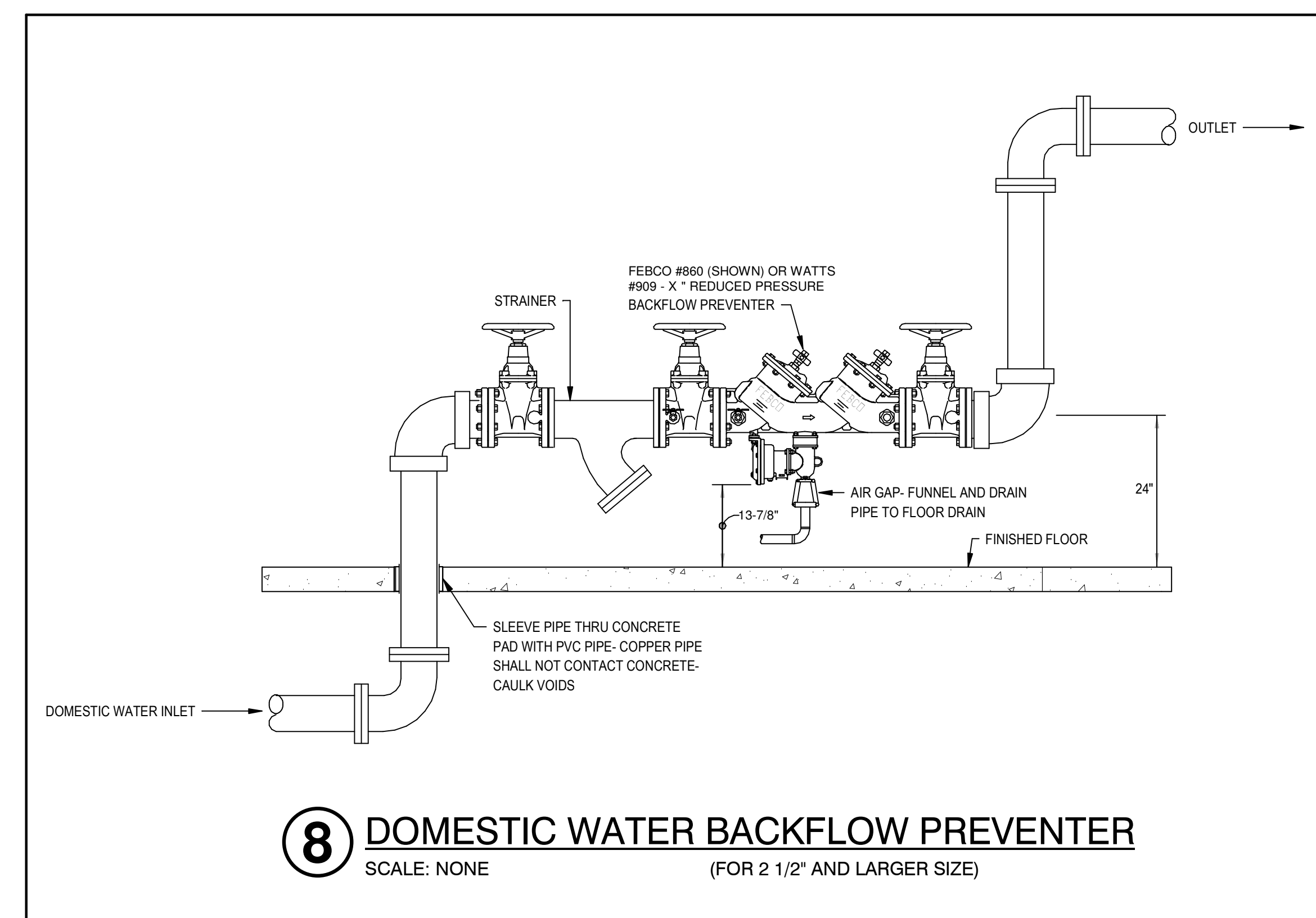
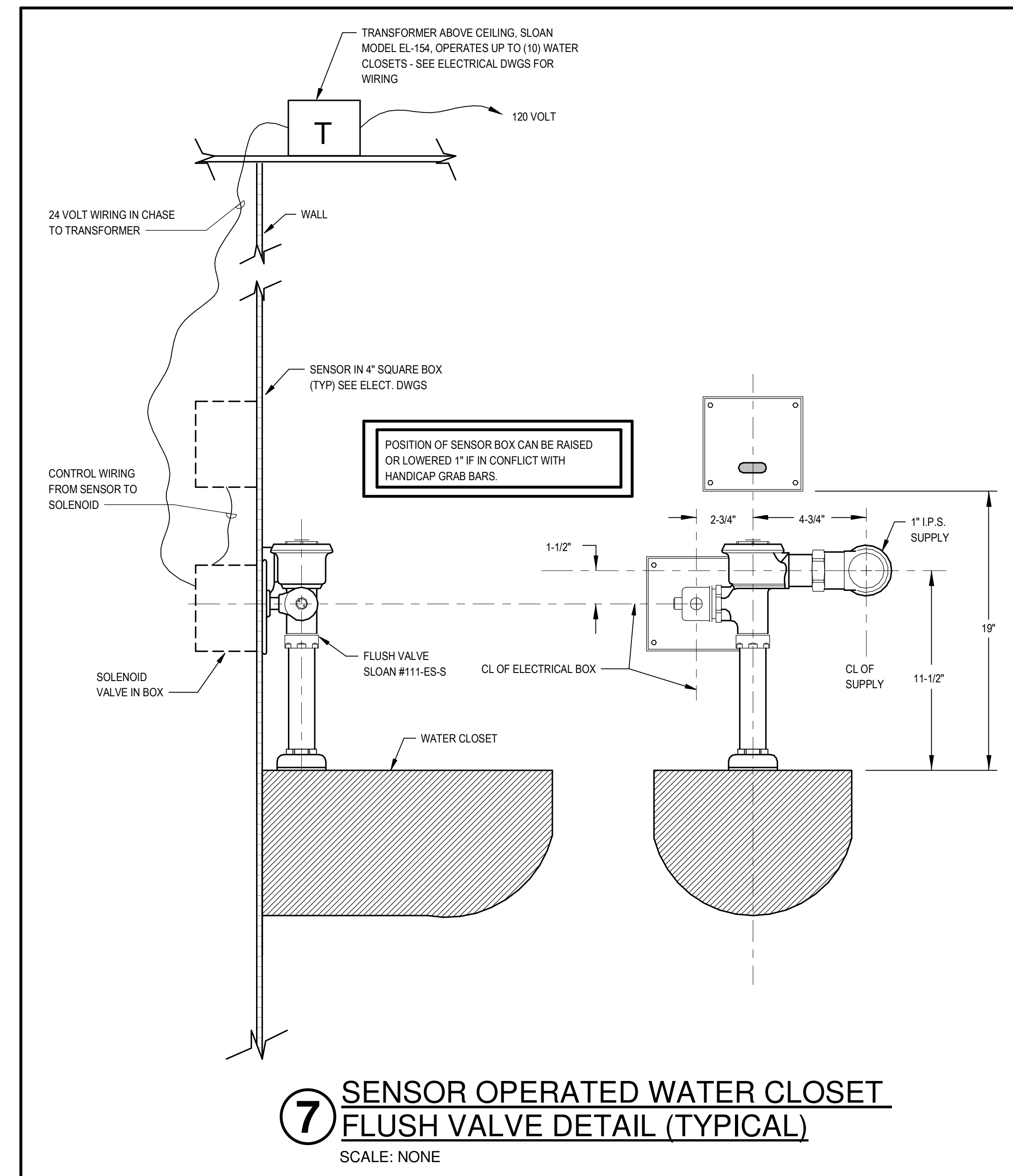
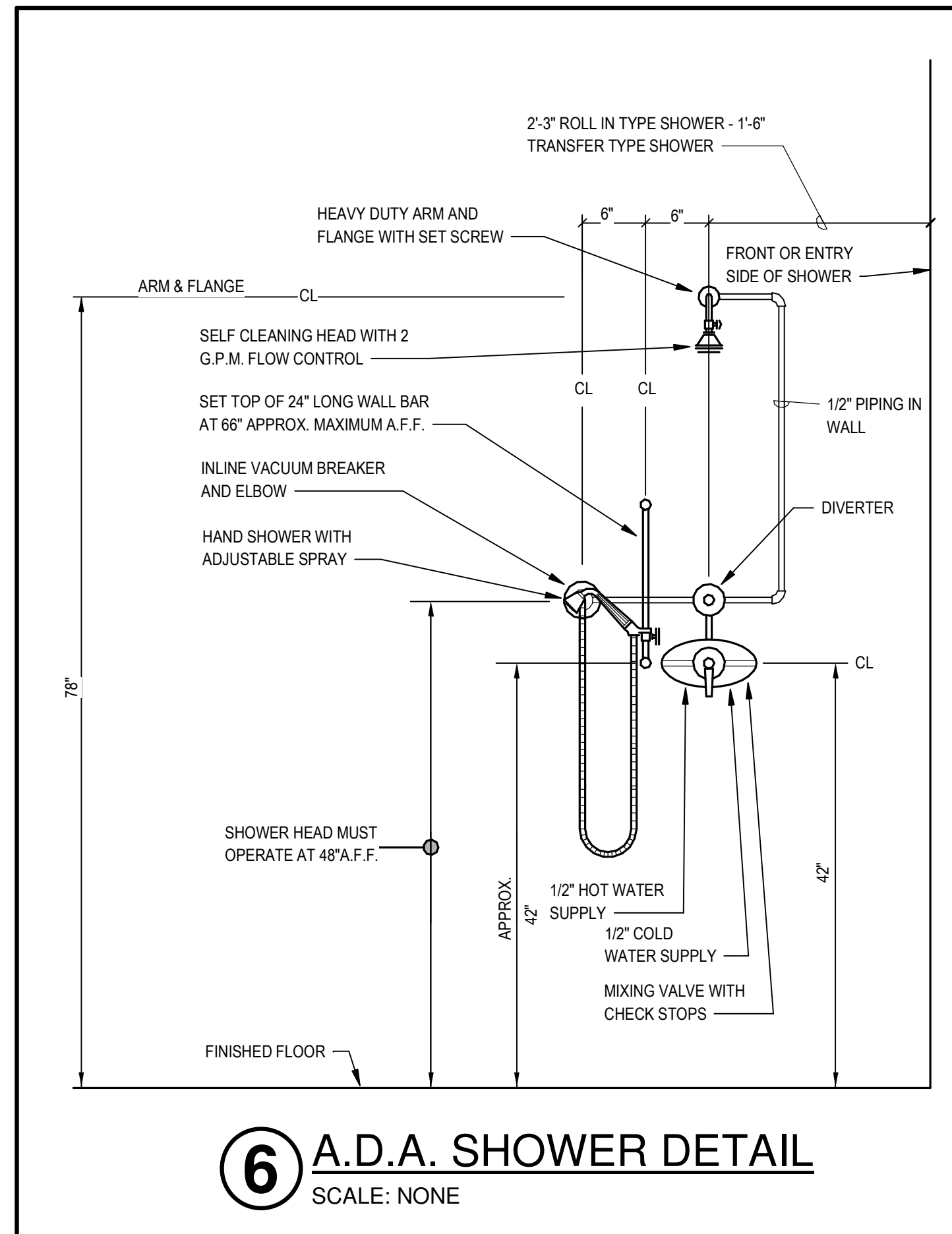
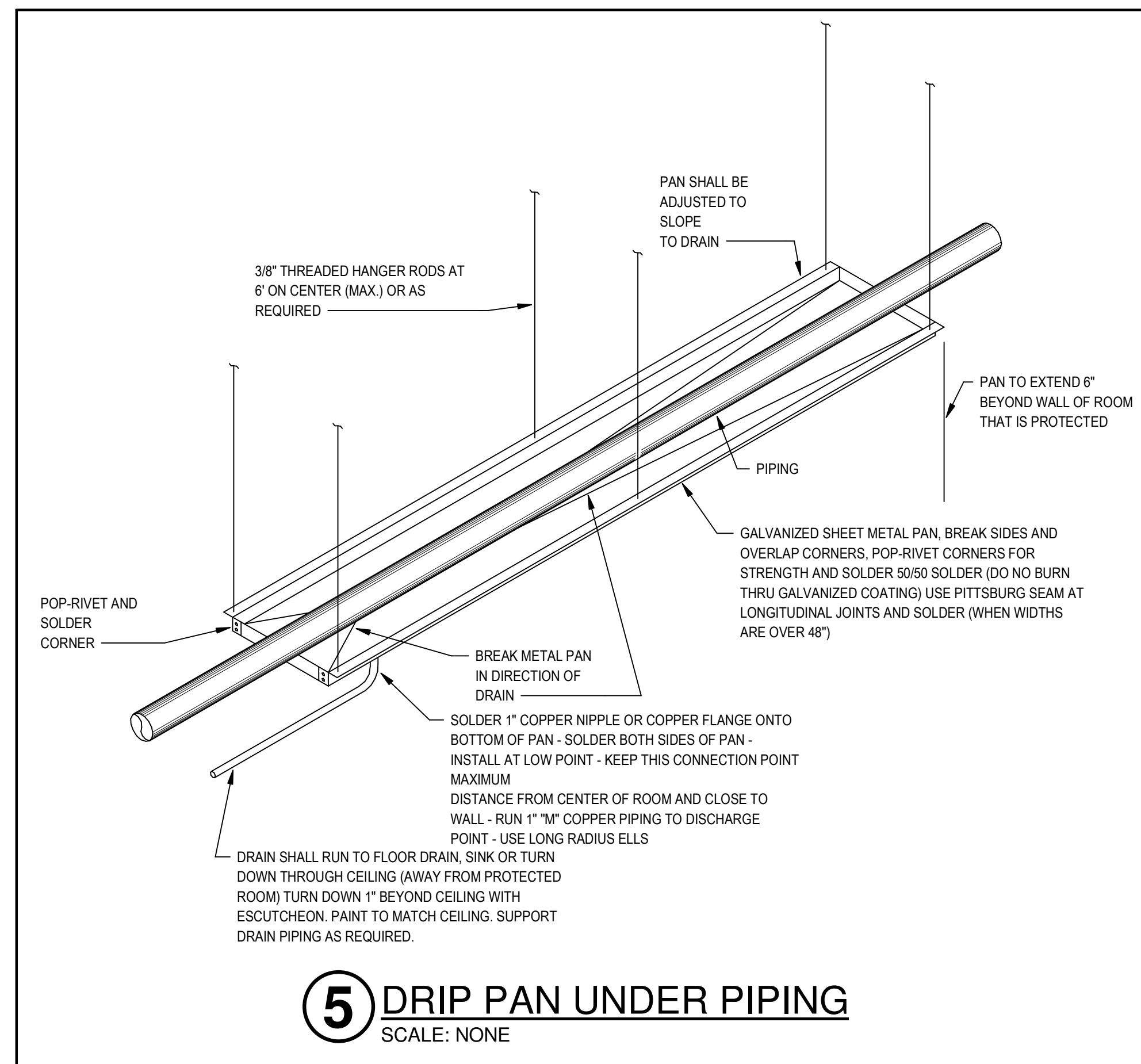
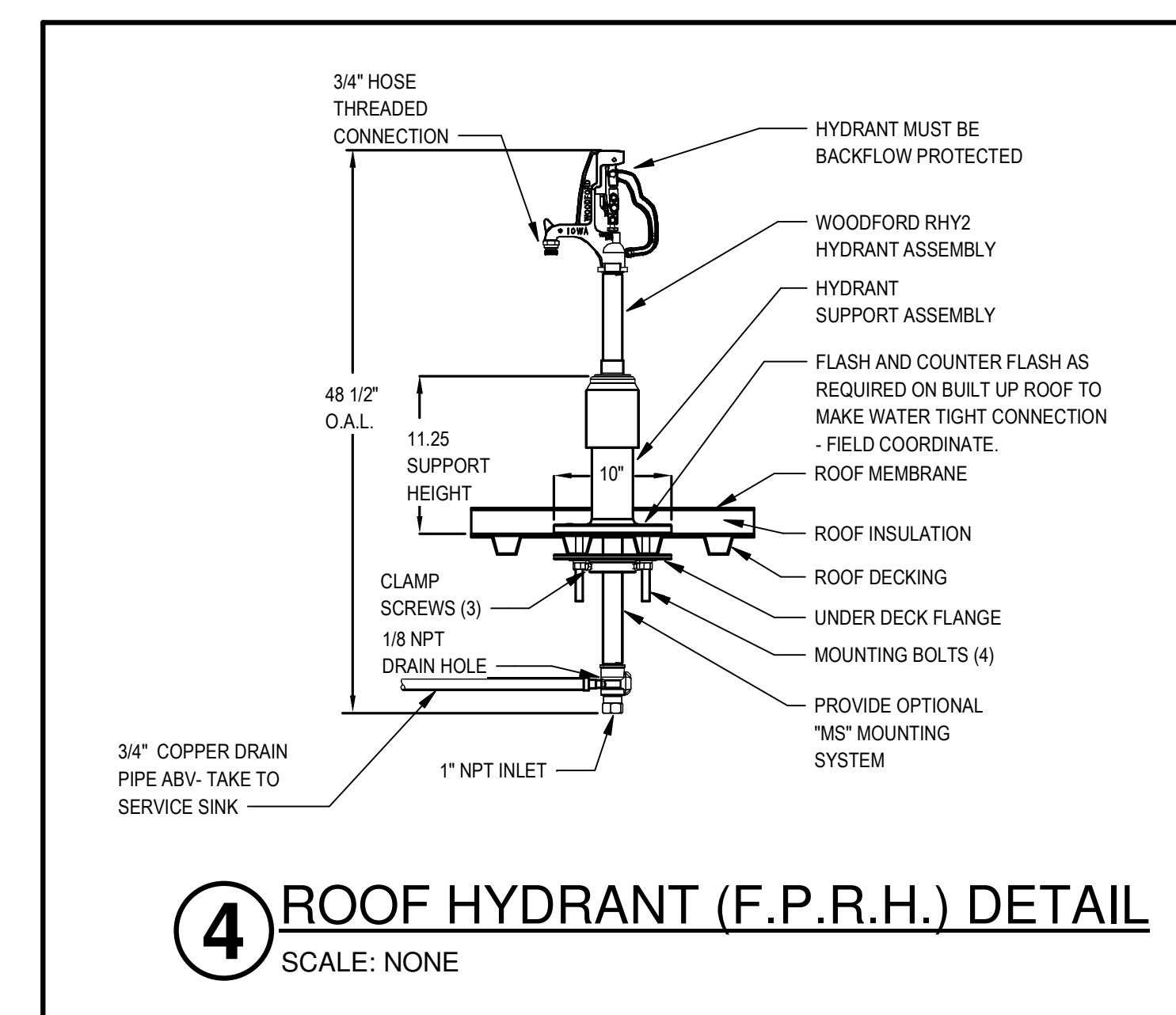
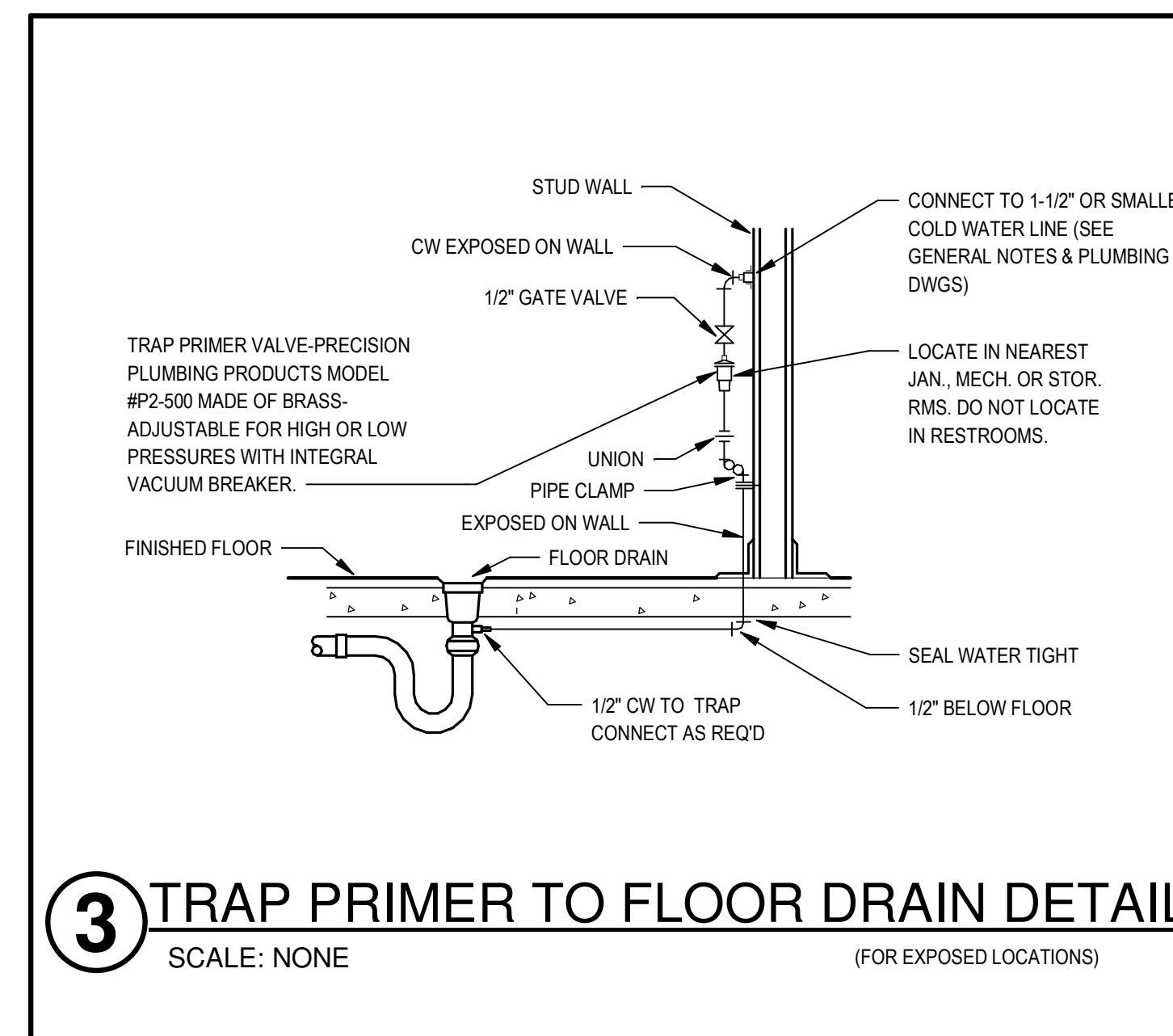
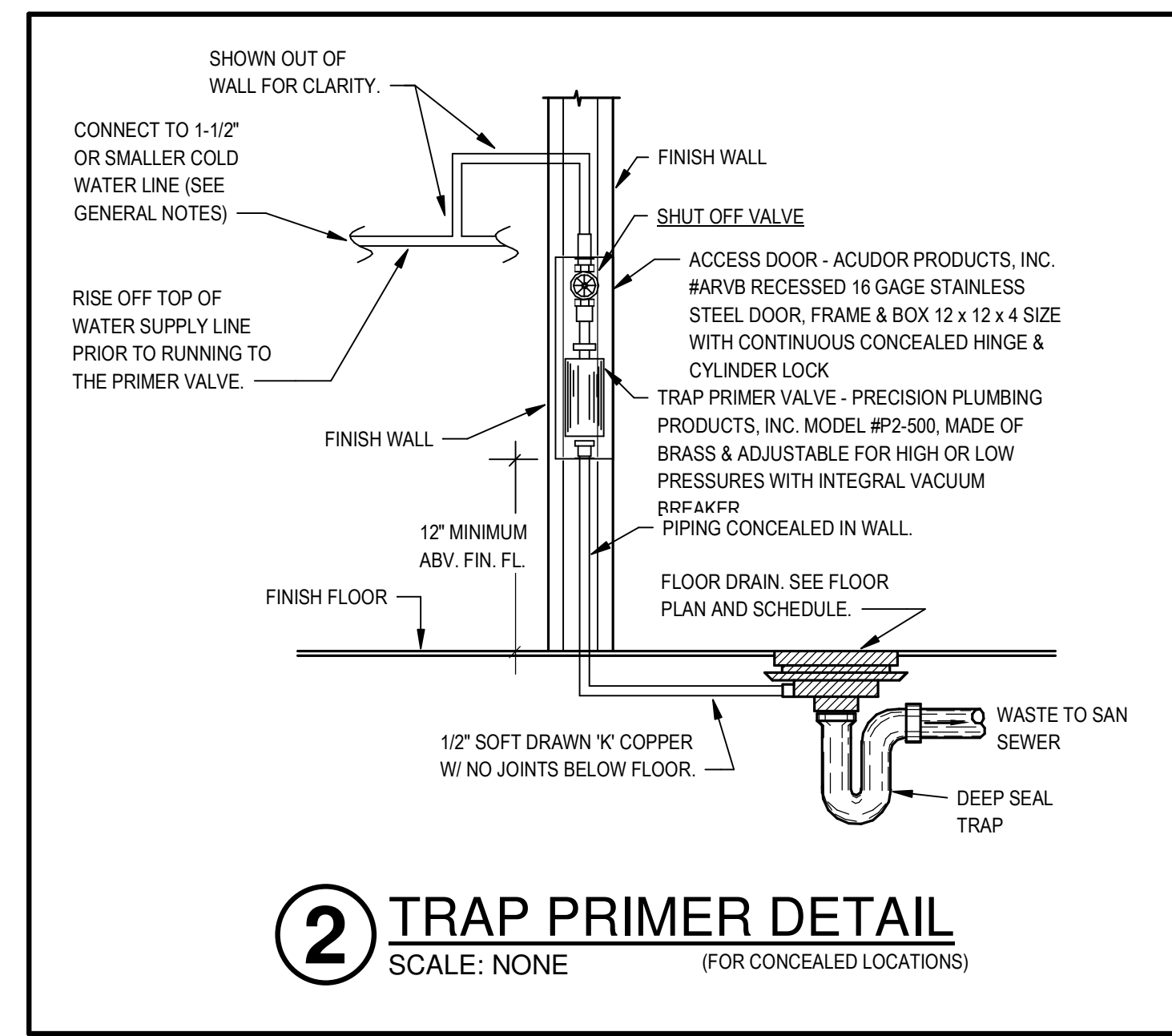
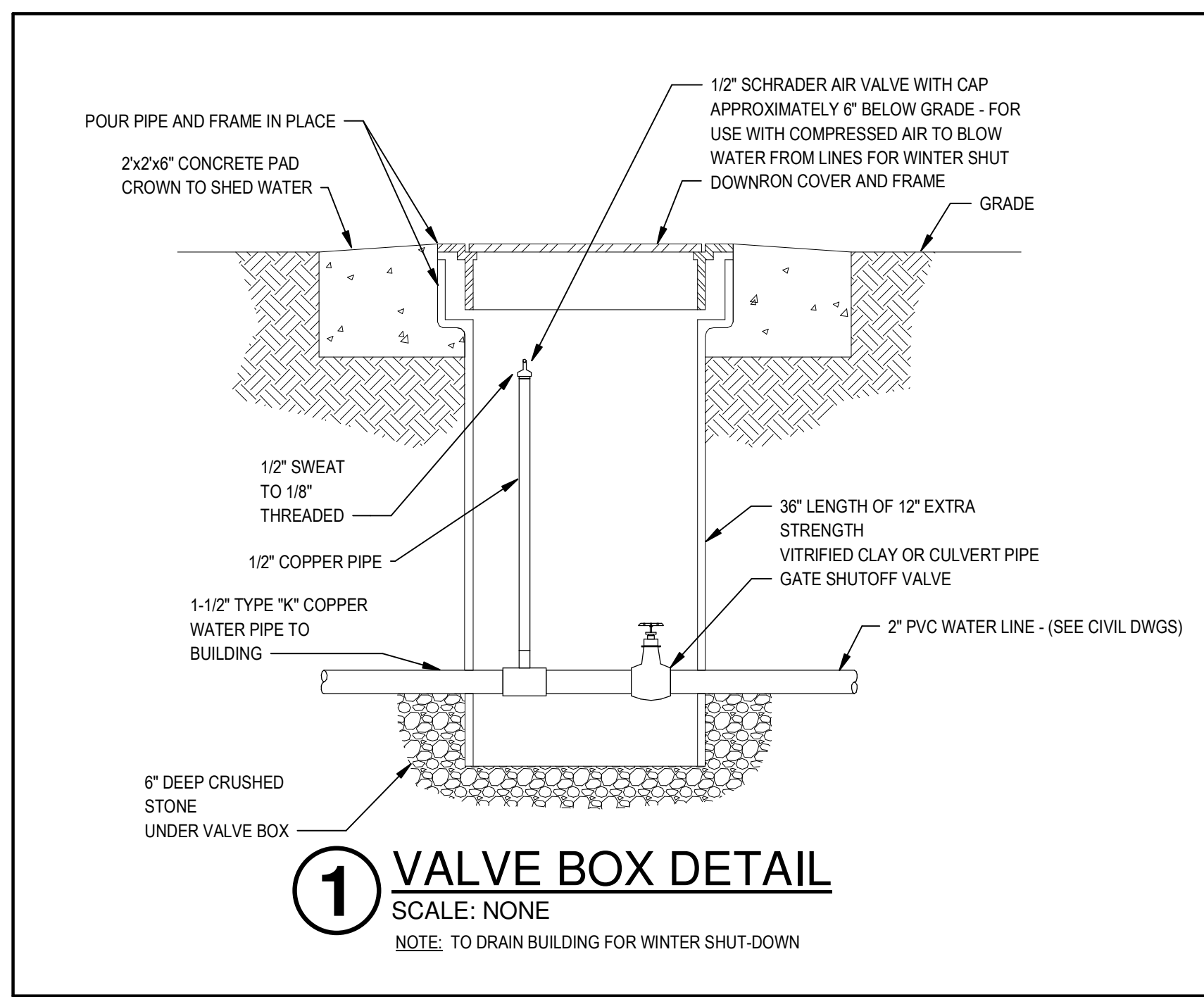




PETTIT & PETTIT
CONSULTING ENGINEERS, INC.
FRANKS ENGINEER
PERMIT SET



ADDITION AND RENOVATION TO PLEASANT VALLEY COUNTRY CLUB

CLUBHOUSE
1 PLEASANT VALLEY DRIVE
LITTLE ROCK, ARKANSAS 72212

REVISIONS

PROJECT NO.
21075
DATE:
June 21, 2023

PLUMBING DETAILS

P2.03-A