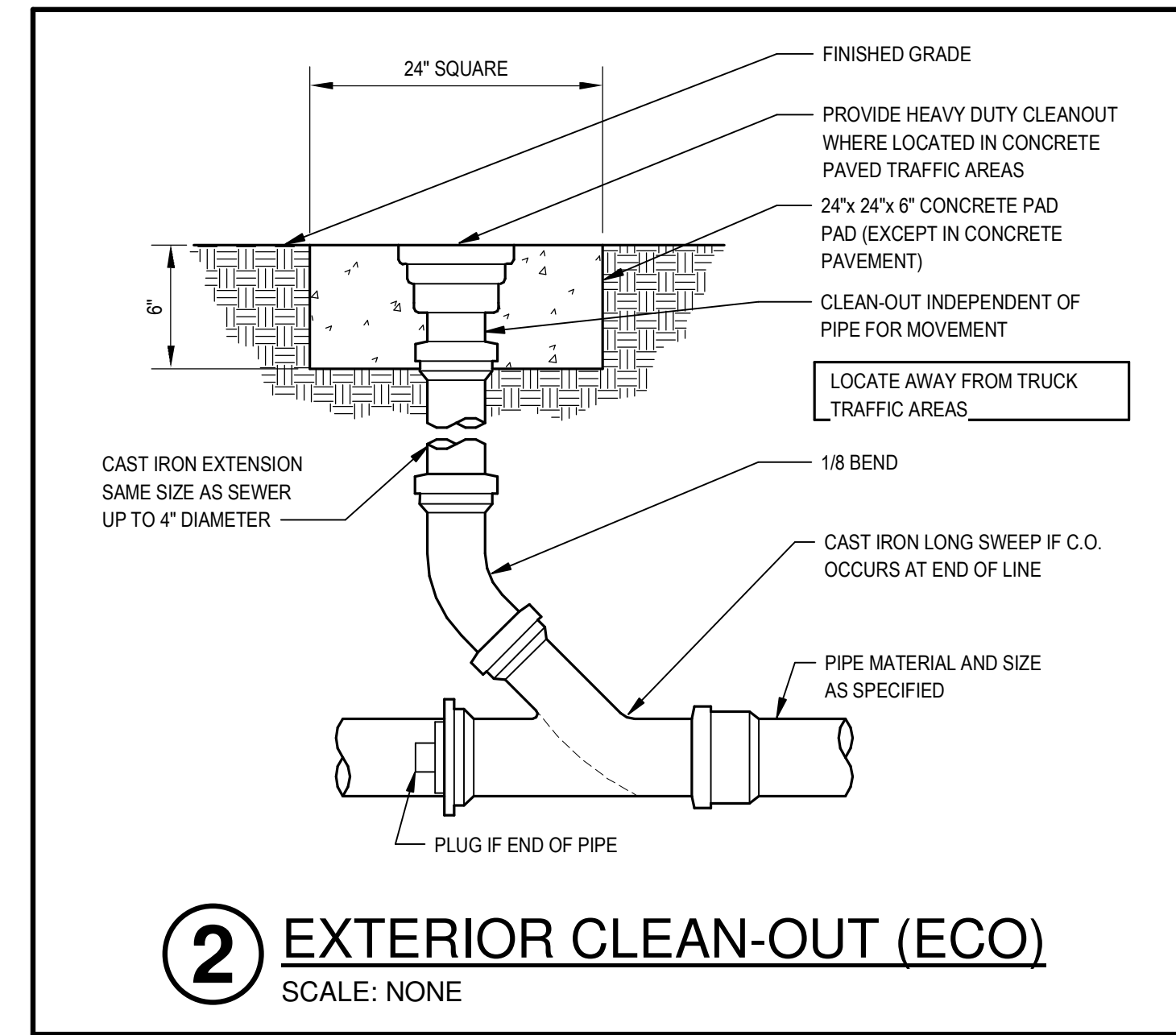
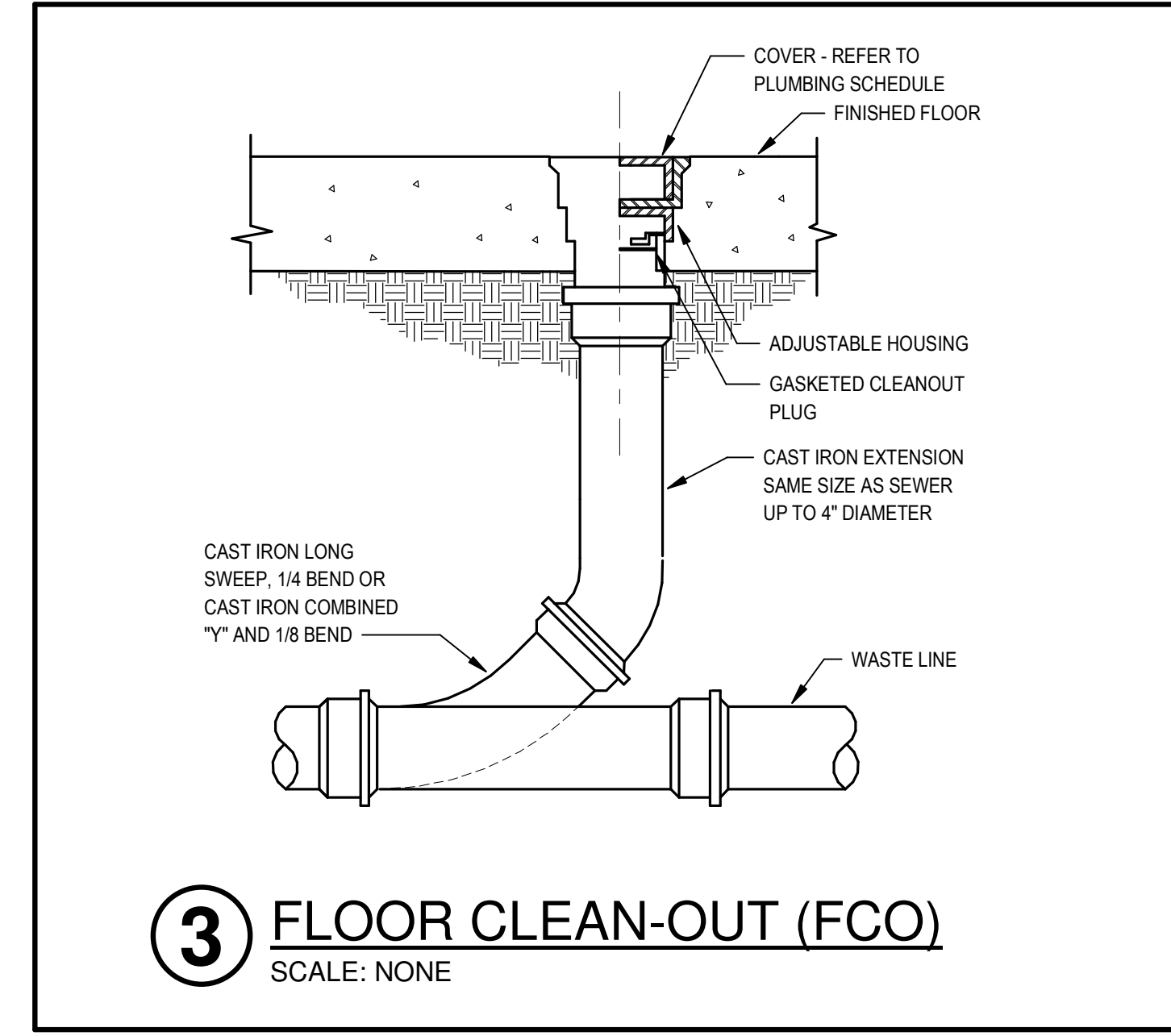


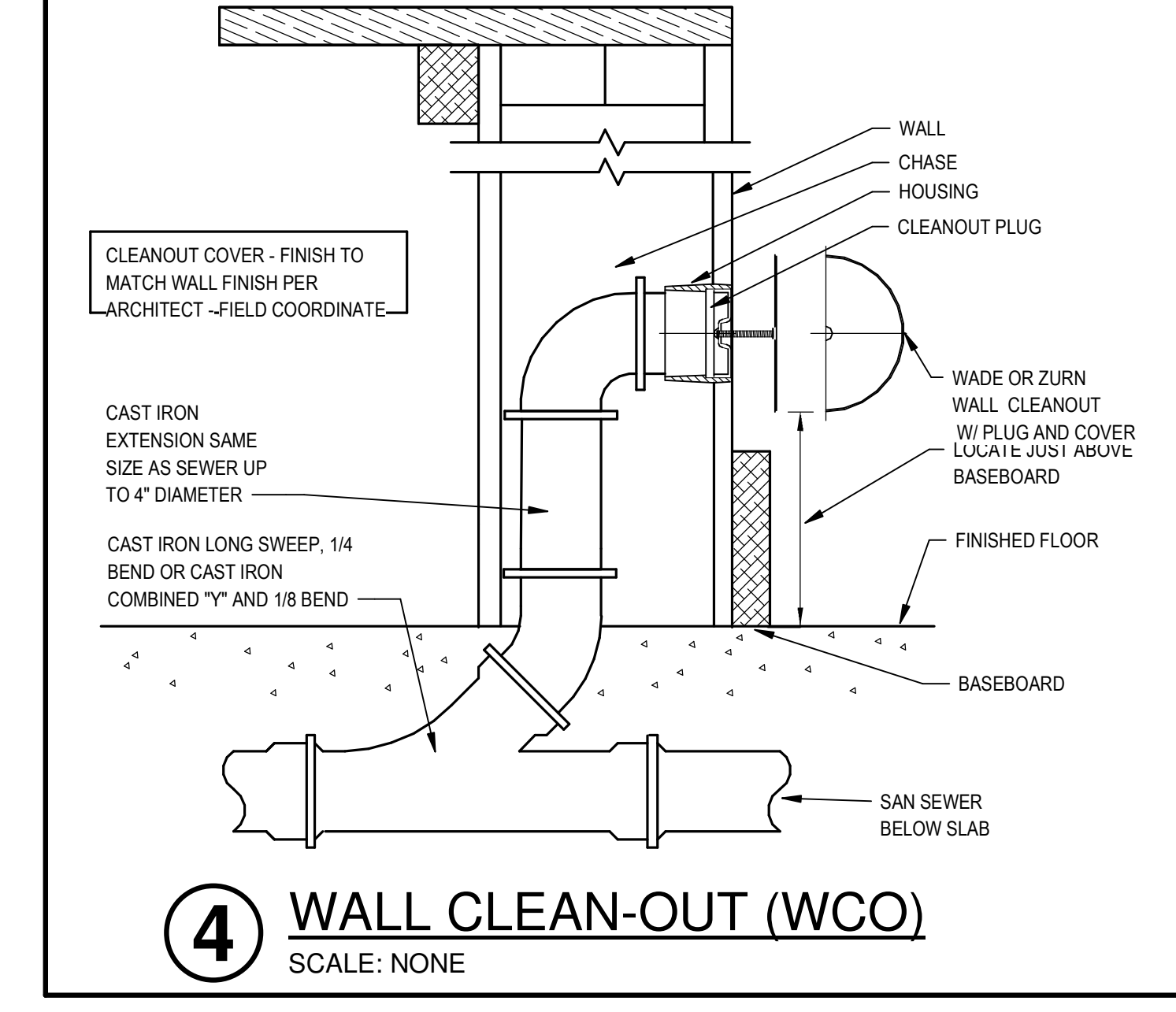
1 CONNECTIONS OF NEW FITTINGS IN EXISTING WASTE PIPING BELOW FLOOR
SCALE: NONE



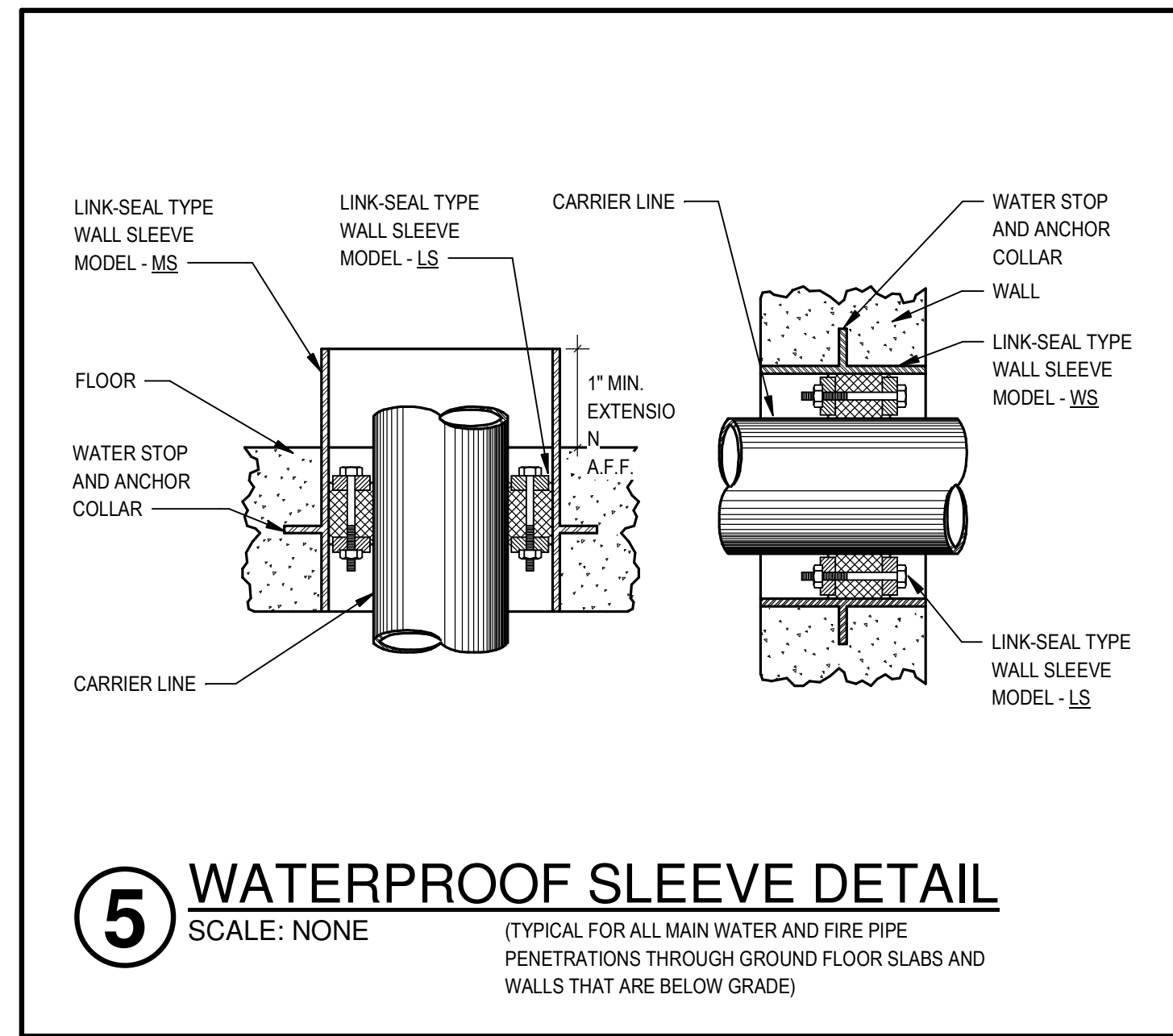
2 EXTERIOR CLEAN-OUT (ECO)
SCALE: NONE



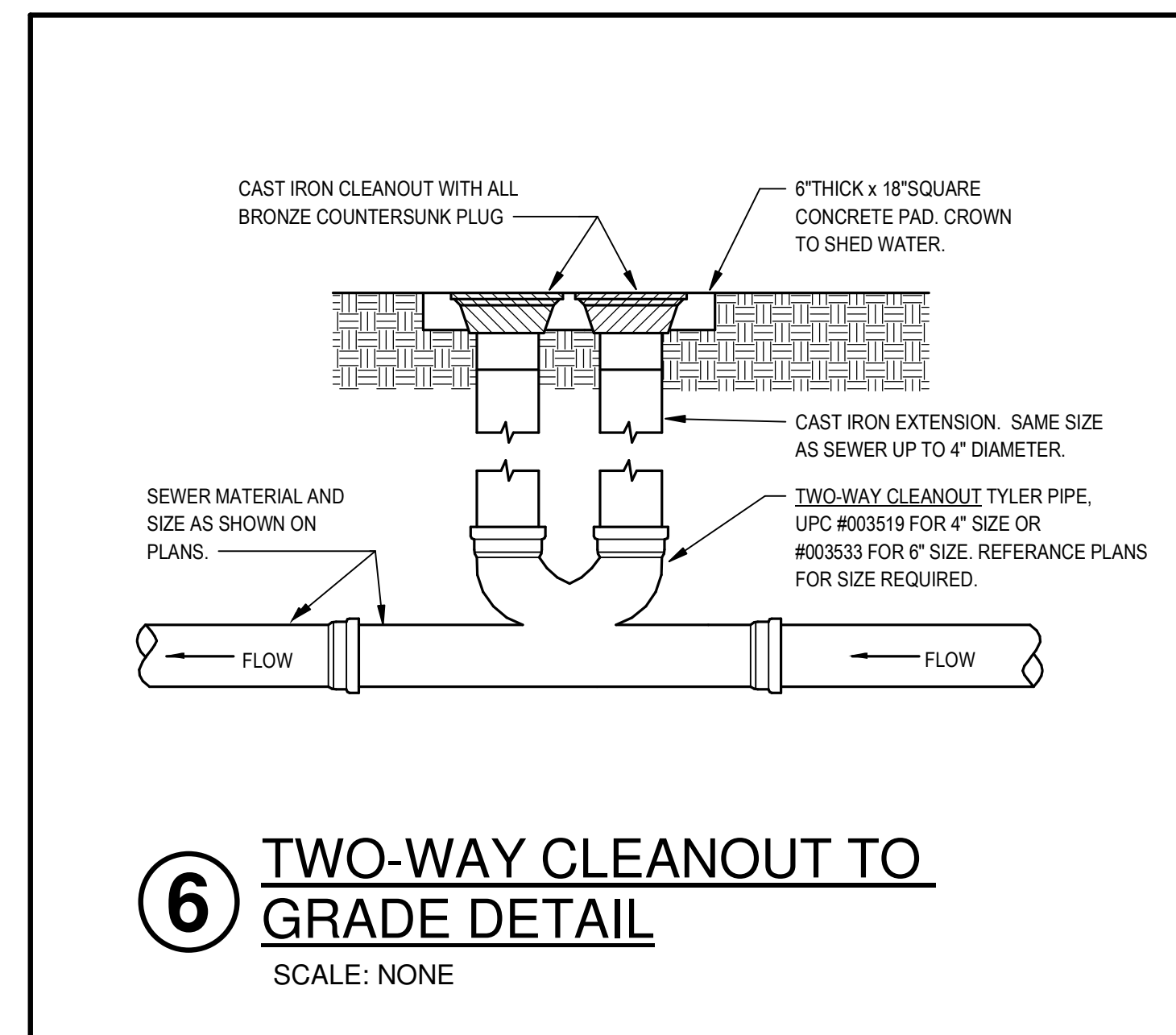
3 FLOOR CLEAN-OUT (FCO)
SCALE: NONE



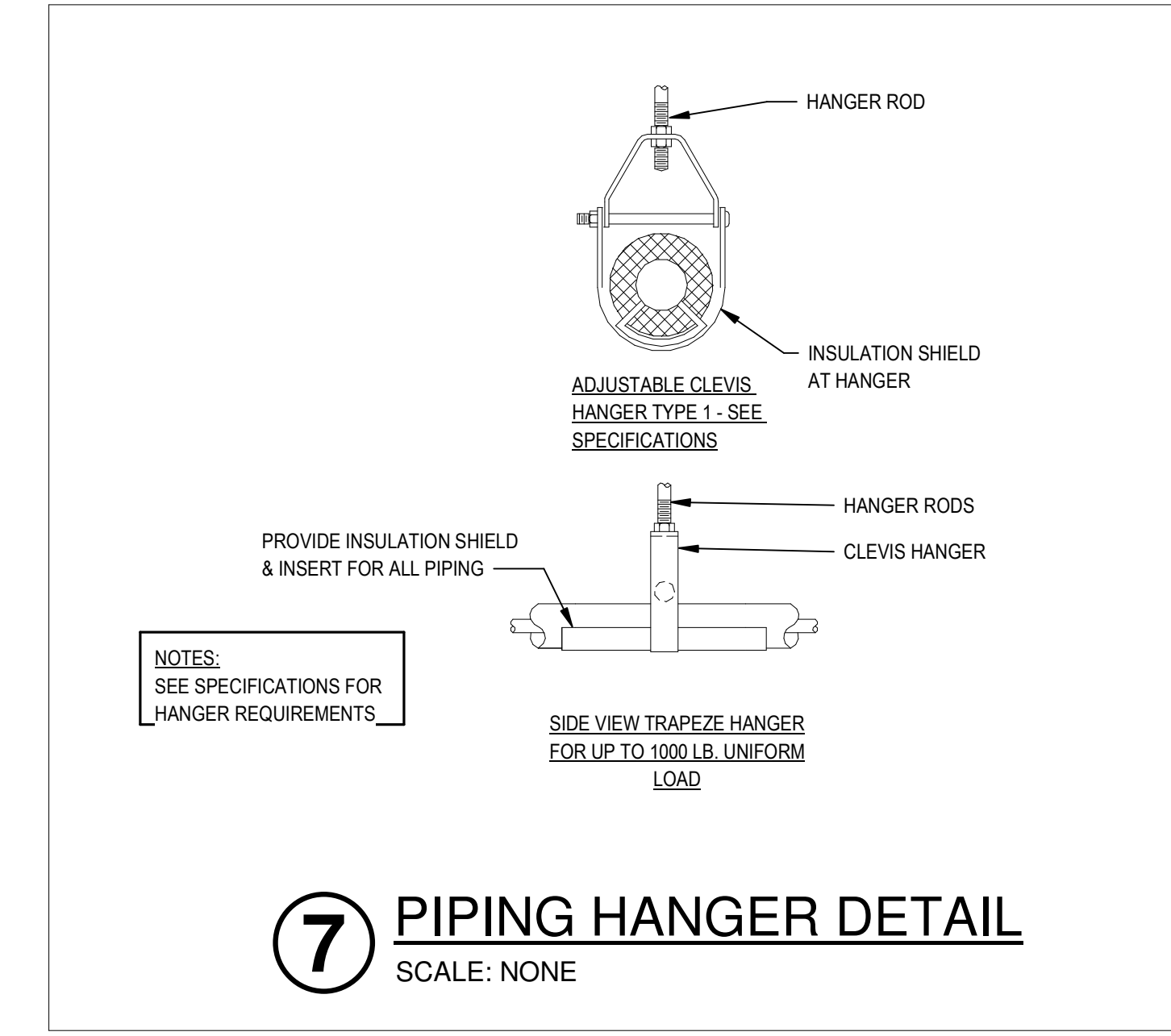
4 WALL CLEAN-OUT (WCO)
SCALE: NONE



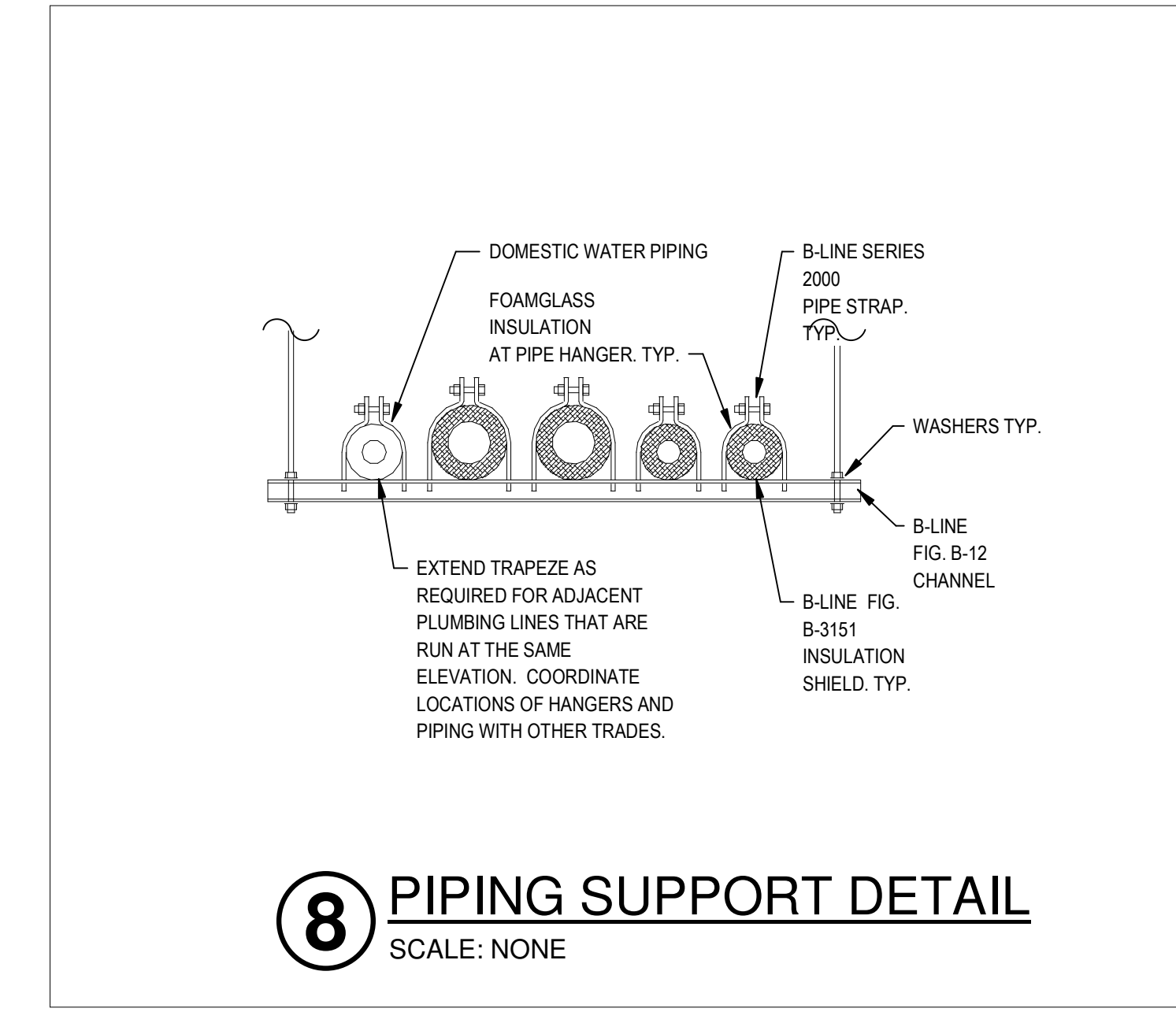
5 WATERPROOF SLEEVE DETAIL
SCALE: NONE
(TYPICAL FOR ALL MAIN WATER AND FIRE PIPE PENETRATIONS THROUGH GROUND FLOOR SLABS AND WALLS THAT ARE BELOW GRADE)



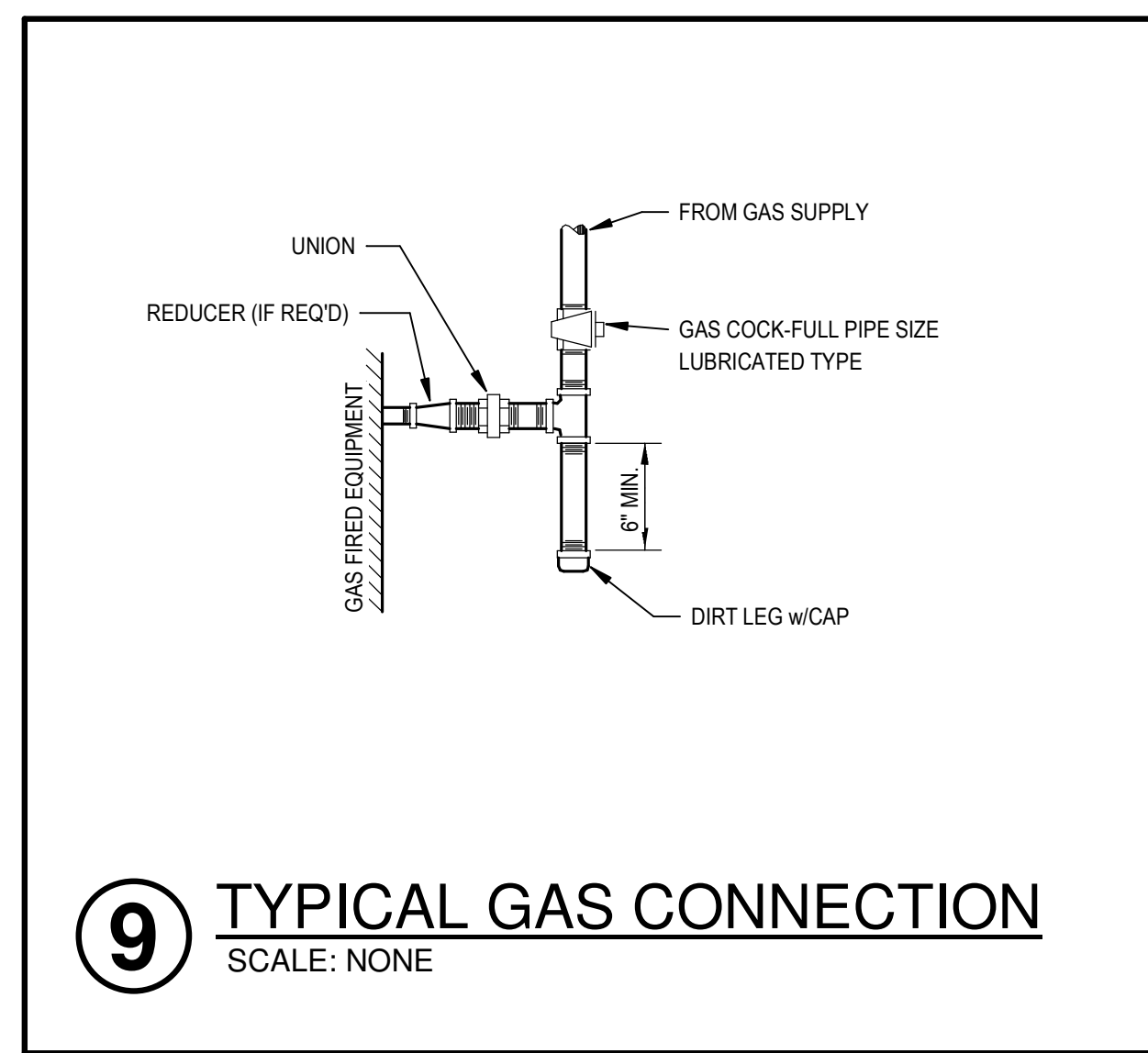
6 TWO-WAY CLEANOUT TO GRADE DETAIL
SCALE: NONE



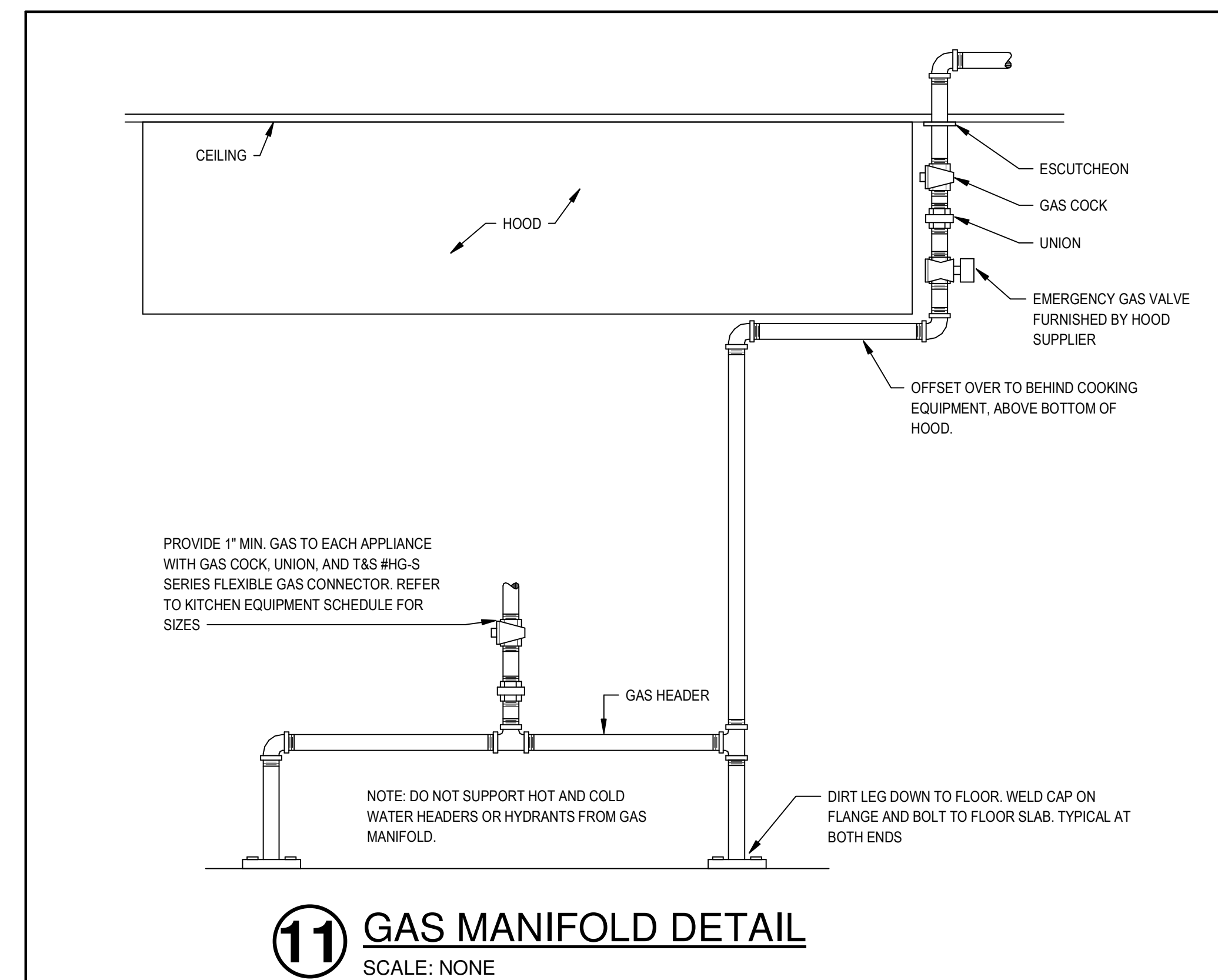
7 PIPING HANGER DETAIL
SCALE: NONE



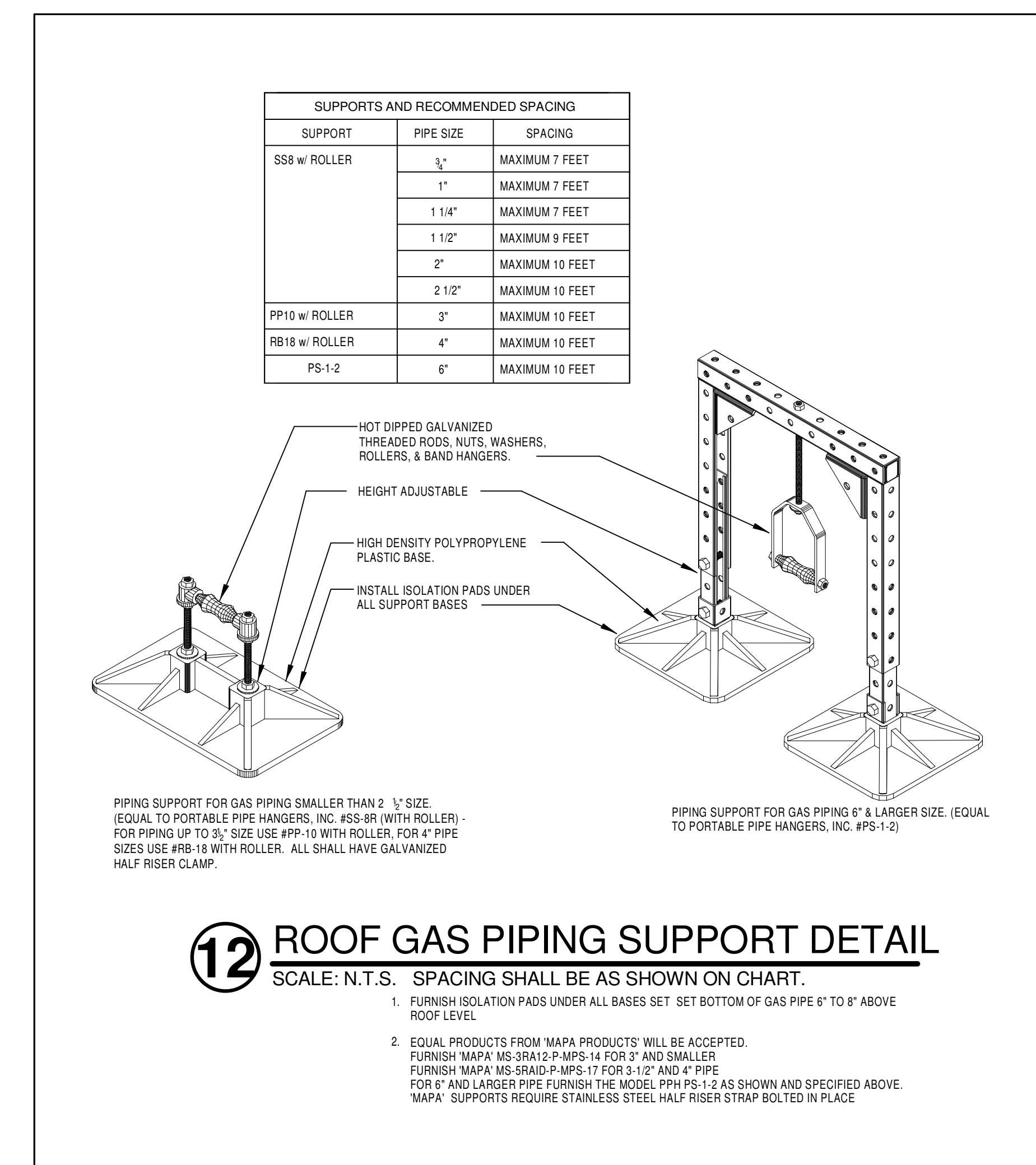
8 PIPING SUPPORT DETAIL
SCALE: NONE



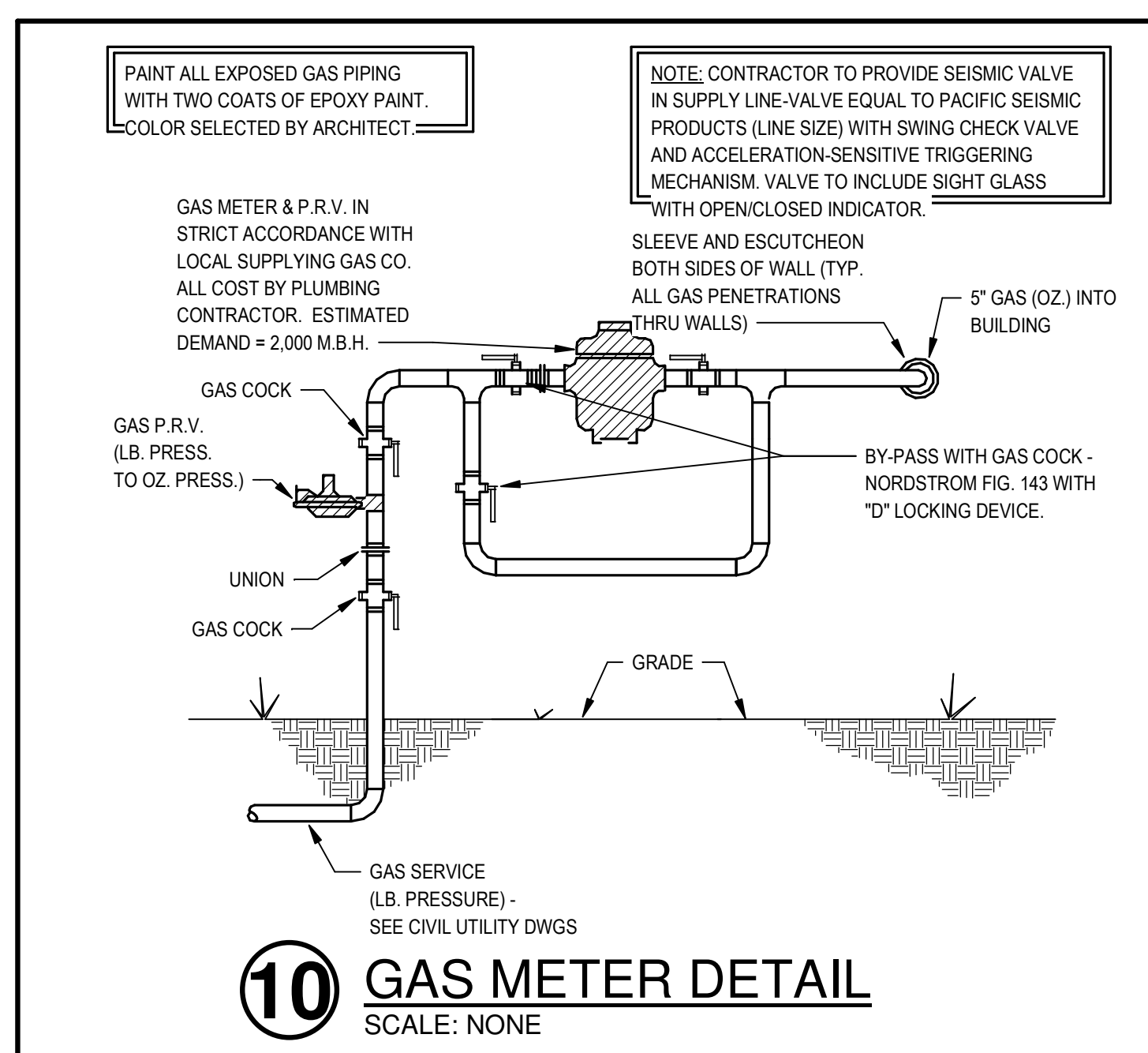
9 TYPICAL GAS CONNECTION
SCALE: NONE



11 GAS MANIFOLD DETAIL
SCALE: NONE



12 ROOF GAS PIPING SUPPORT DETAIL
SCALE: N.T.S. SPACING SHALL BE AS SHOWN ON CHART.



10 GAS METER DETAIL
SCALE: NONE