

PERMIT SET

ADDITION AND RENOVATION TO PLEASANT VALLEY COUNTRY CLUB

CLUBHOUSE

1 PLEASANT VALLEY DRIVE
LITTLE ROCK, ARKANSAS 72212

REVISIONS

PROJECT NO.
21075
DATE:
June 21, 2023

KITCHEN DETAILS

M6.04-A

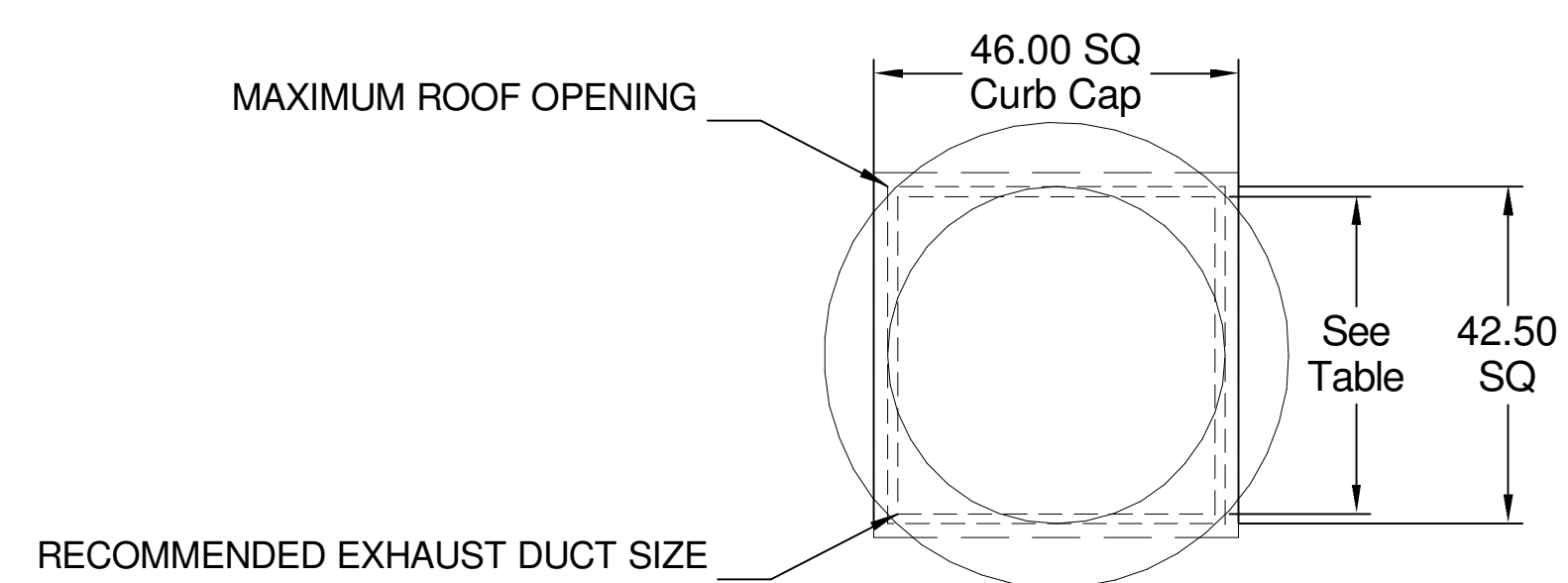
Belt Drive Upblast Centrifugal Roof Exhaust Fan

MARK INFORMATION		FAN INFORMATION					MOTOR INFORMATION						
QTY	MARK	MODEL	VOLUME (CFM)	TOTAL EXTERNAL SP (IN WG)	FAN RPM	OPERATING POWER (HP)	WEIGHT (LB.)	SIZE (HP)	V/C/P	ENCLOSURE	MOTOR RPM	WINDINGS	NEC FLA*
1	KEF -1	CUBE-360HP-75	10,060	1.971	764	5.48	446	7.5	460/60/3	OP	1725	1	11

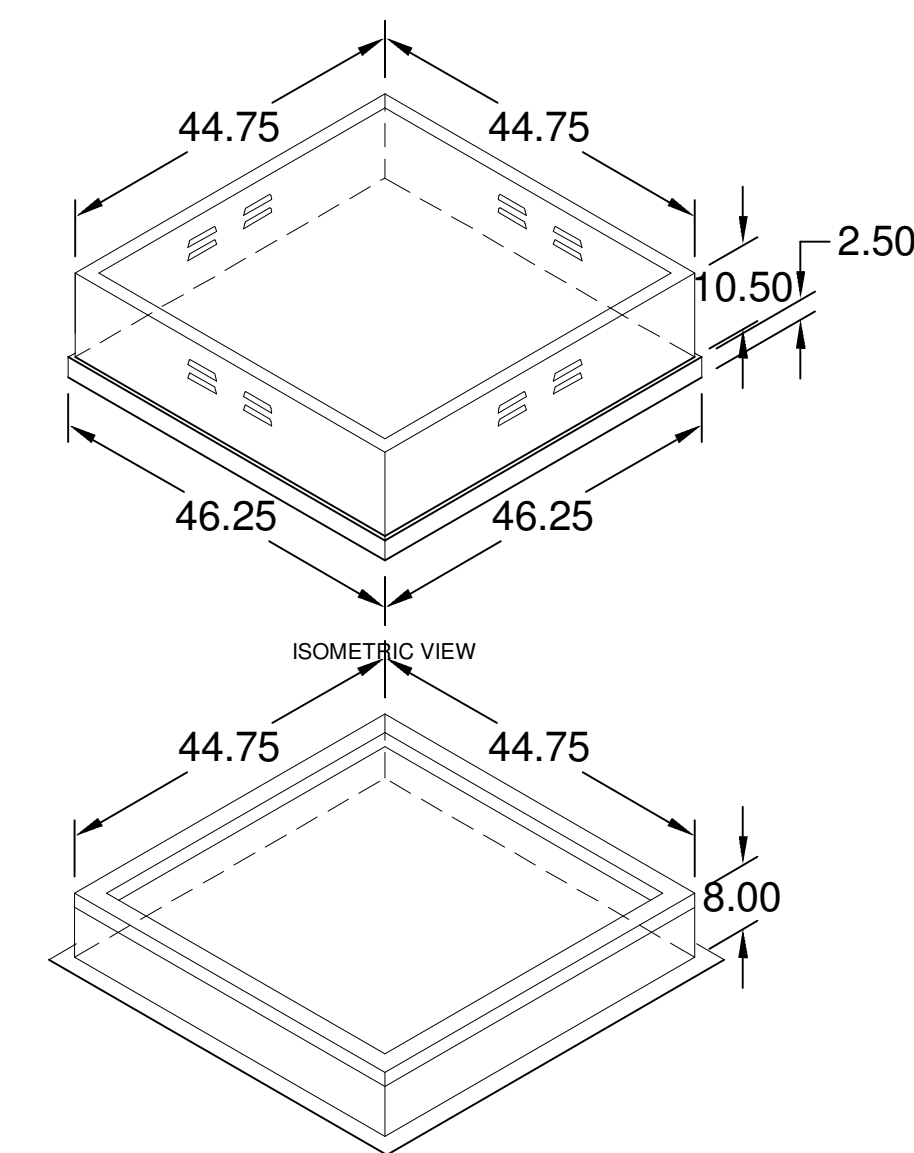
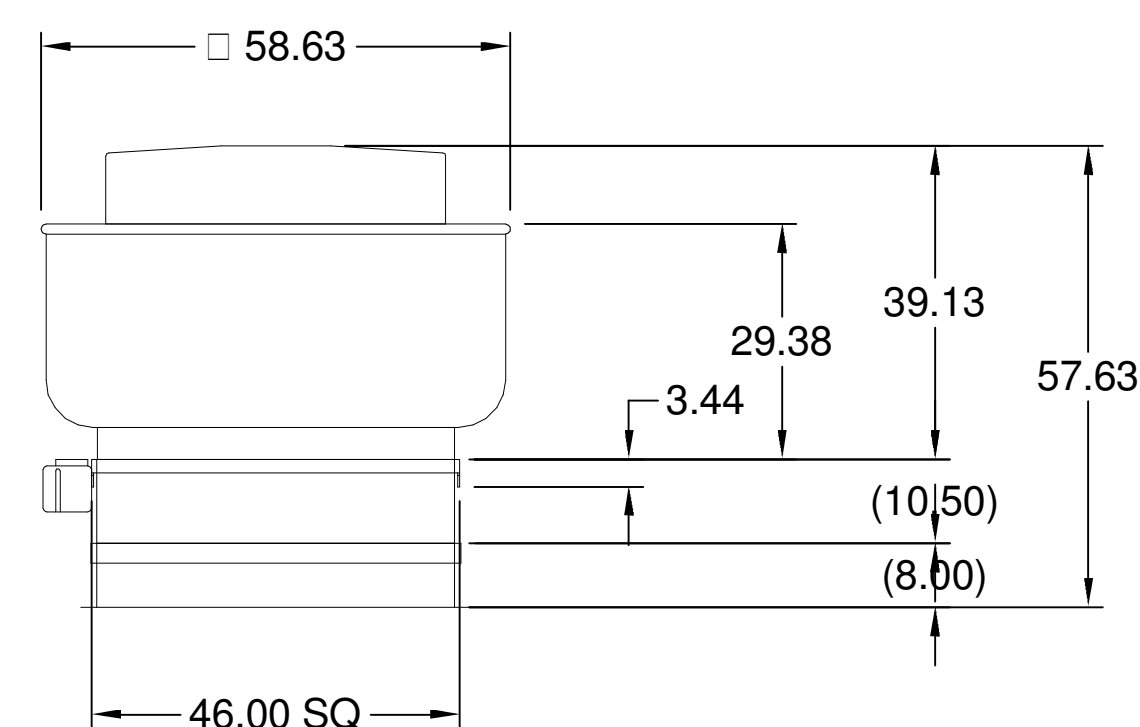
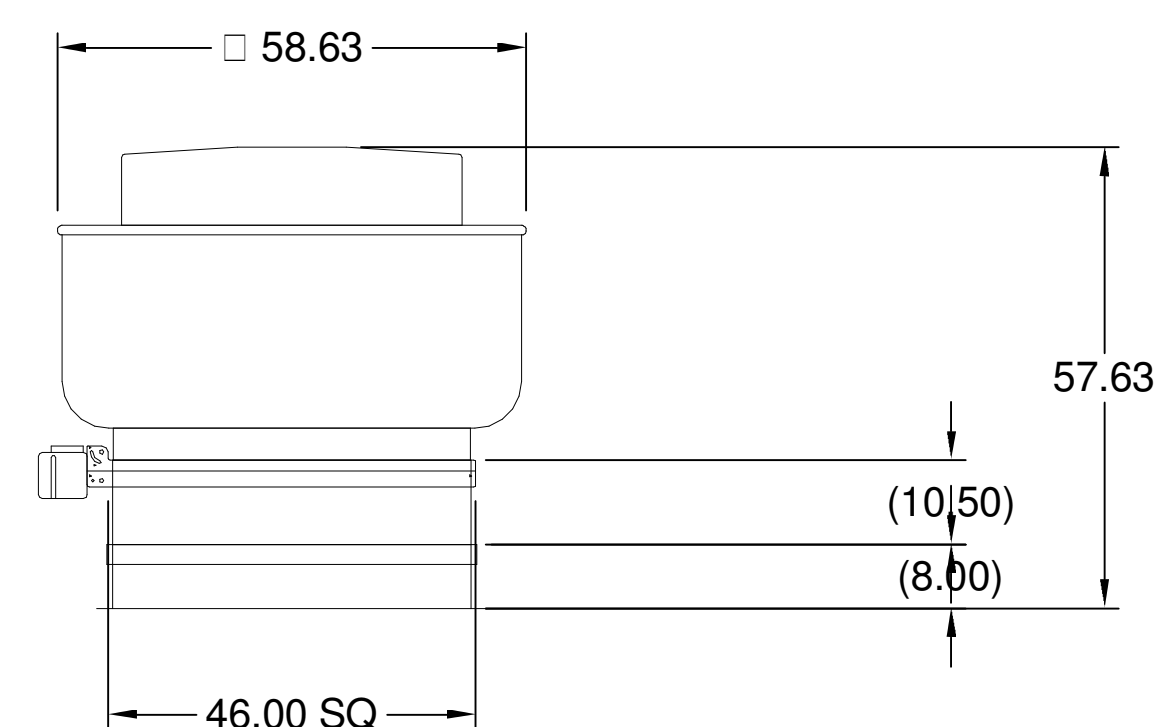
*NEC FLA - Based on table 430.250 or 430.248 of National Electrical Code 2020. Actual motor FLA may vary for sizing thermal overload, consult factory"

KEF -1 : SELECTED OPTIONS AND ACCESSORIES

Standard Curb Cap Size - 46 Square
UL/cUL 762 Listed - "Power Ventilators for Rest. Exh. Appliances"
Switch, NEMA-1, Toggle, Shipped with Unit
Curb Extension-Galv., VCE-46-G10.5
Hinged Base (Attached)
High Temp Curb Seal Rated for Continuous Duty at 1500 F (Factory Attached)
Grease Trap (PN 475538)
Heat Baffle (Attached)
Bearings with Grease Fittings, L10 life of 100,000 hrs (L50 avg. life 500,000 hrs)



DUCT TYPE	SIZE
STANDARD	40 SQ
FIRE-WRAPPED	32 SQ



DUCT DIMENSIONS ARE LARGEST POSSIBLE DUCT TO FIT THROUGH CURB. CONSULT SYSTEM DESIGN ENGINEER FOR RECOMMENDED DUCT SIZE.

OVERALL HEIGHT MAY BE GREATER DEPENDING ON MOTOR, ADAPTER, AND/OR HINGE BASE.

1 KEF-1 DETAILS
NOT TO SCALE

PROJECT 11/22/2022
MARK KEF -1
PLEASANT VALLEY COUNTRY CLUB HOOD

UL NSF

GREENHECK

AIRETECH CORPORATION
9; FORREST MOSELEY
FORREST@AIRETECHCORP.COM 9;
(501)280-0404