

PETTIT & PETTIT
CONSULTING ENGINEERS, INC.
PERMIT SET

ADDITION AND RENOVATION TO PLEASANT VALLEY COUNTRY CLUBHOUSE

CLUBHOUSE
1 PLEASANT VALLEY DRIVE
LITTLE ROCK, ARKANSAS 72212

REVISIONS

PROJECT NO. 21075
DATE: June 21, 2023

KITCHEN DETAILS
M6.02-A

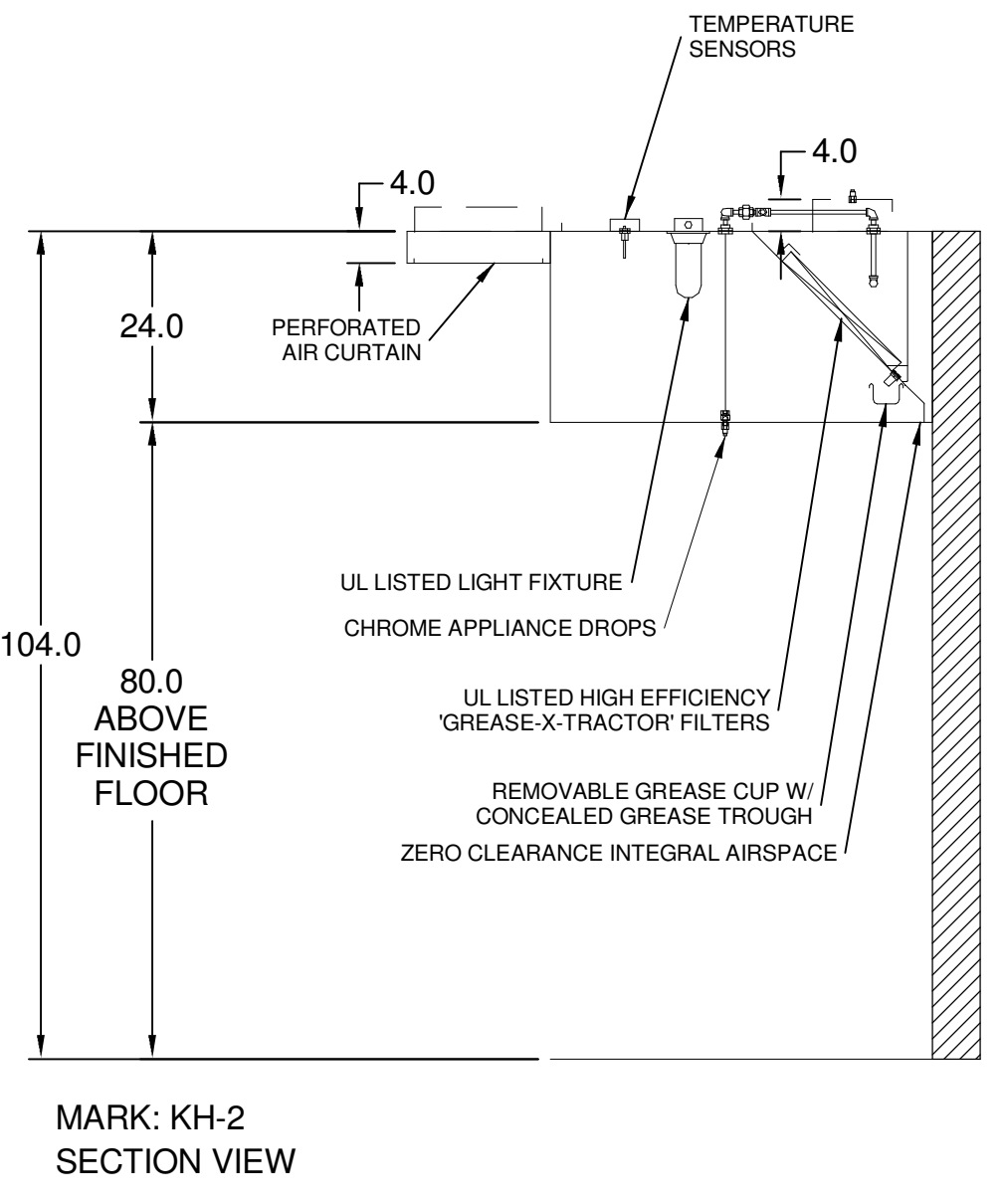
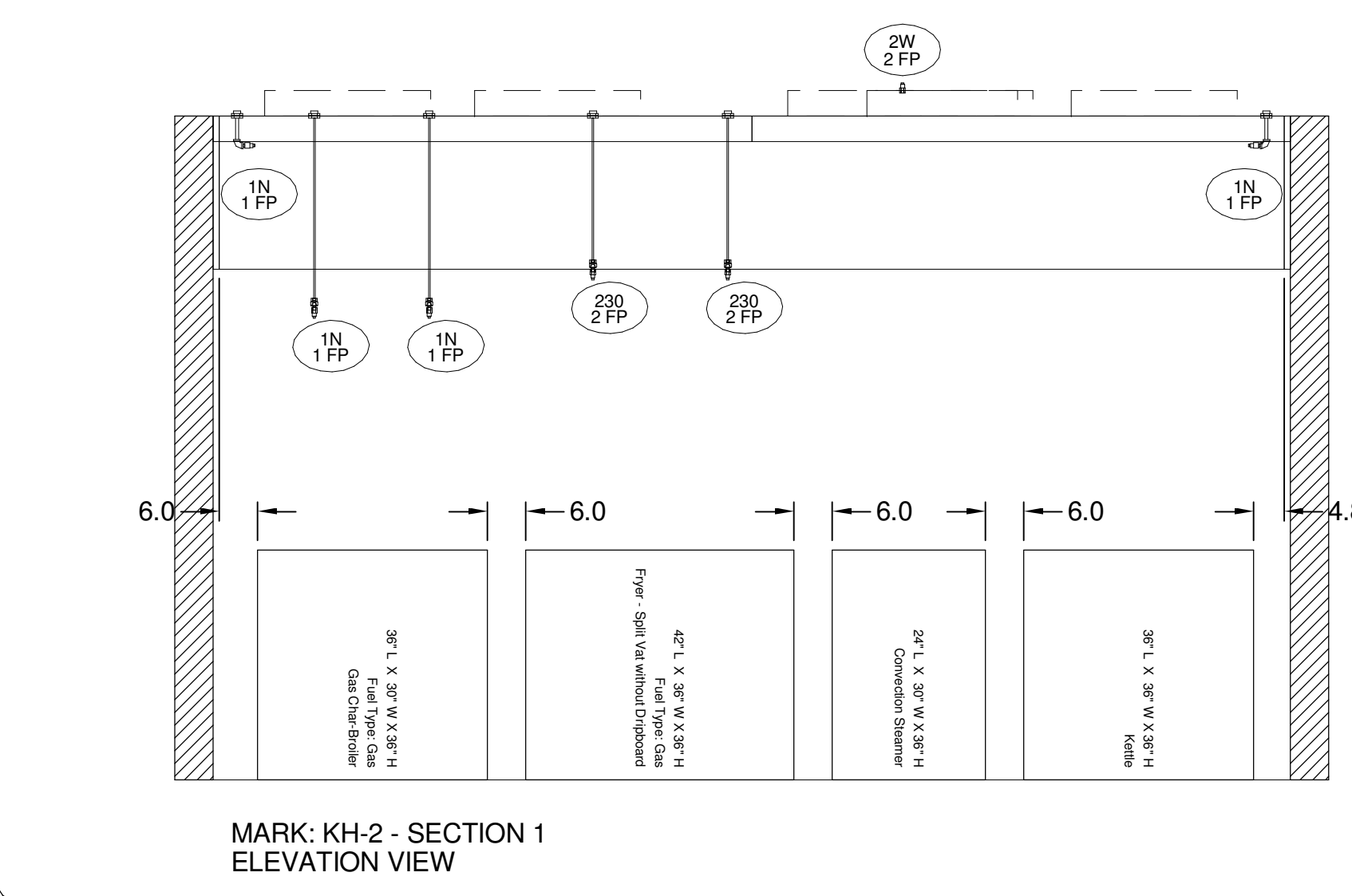
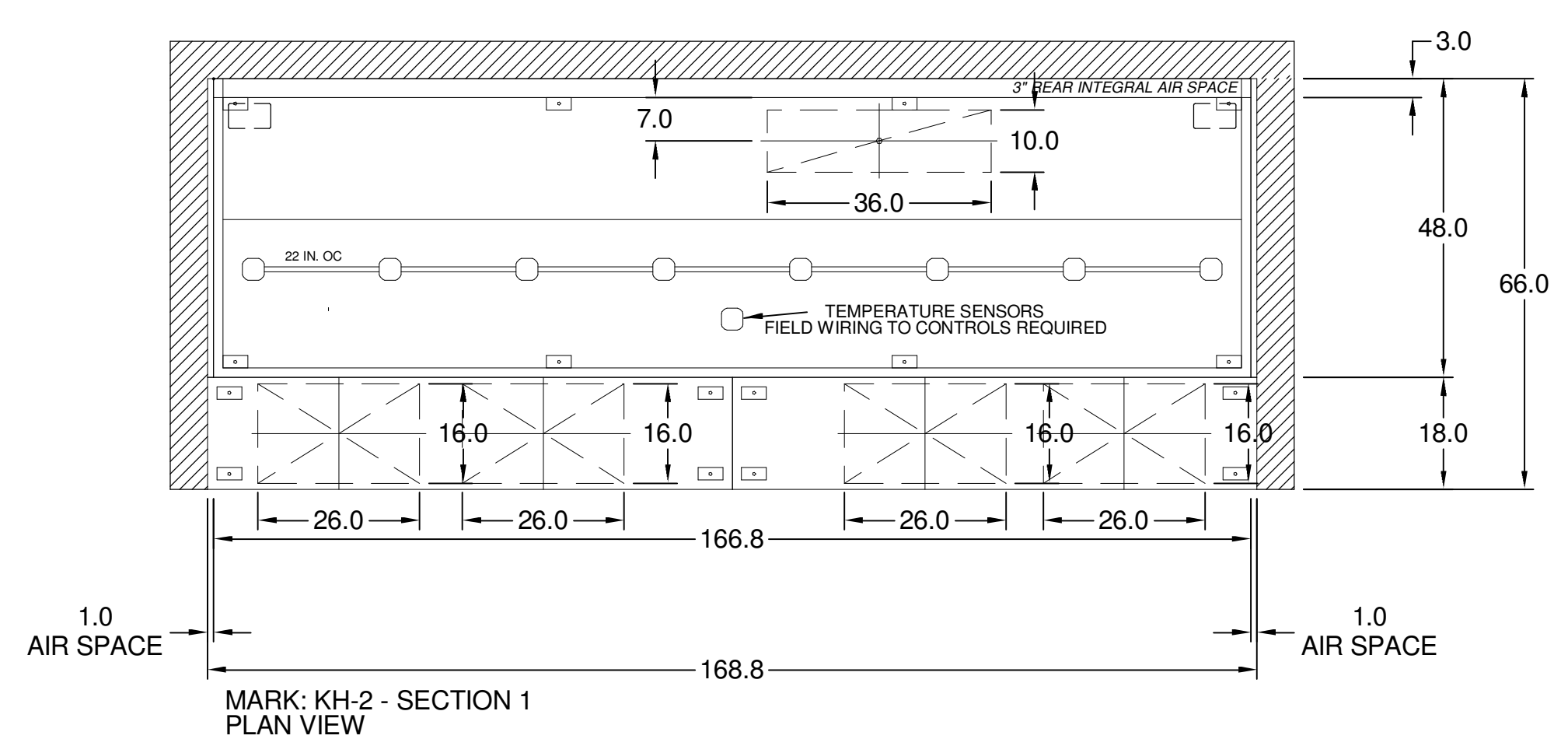
HOOD INFORMATION																	
HOOD NO.	MARK	MODEL	HOOD DIMENSIONS (IN.)			HOOD CONSTR.	COOKING LOAD / DUTY RATING	TOTAL CFM	EXHAUST COLLAR(S)			SUPPLY	TOTAL WEIGHT LBS.	SECTION LOCATION			
LENGTH	WIDTH	HEIGHT						WIDTH	LENGTH	DIA.	CFM	S.P.	MUA	AC			
1	KH-2	GXEW-166.75-S	166.75	48	24	430 SS WHERE EXPOSED	HEAVY	3804	10	36		3804	0.663	3044		449.358	SINGLE

HOOD INFORMATION																
HOOD NO.	MARK	LIGHTING DETAILS				GREASE FILTRATION DETAILS				UTILITY CABINET(S)						
		FIXTURE TYPE	BULB / LAMP INFO	QTY	FOOT CANDLES	TYPE / MODEL	MATERIAL	QTY	SIZE (IN.)	LOCATION	FIRE SYSTEM	SIZE	MODEL	CONTROLS		
1	KH-2	INCANDESCENT (GLOBE)	100W A19 (BULBS NOT INCL.)	8	53.89	X-TRACTOR	STAINLESS STEEL	8	16	20	WALL	ANSUL R102	9	GKC		

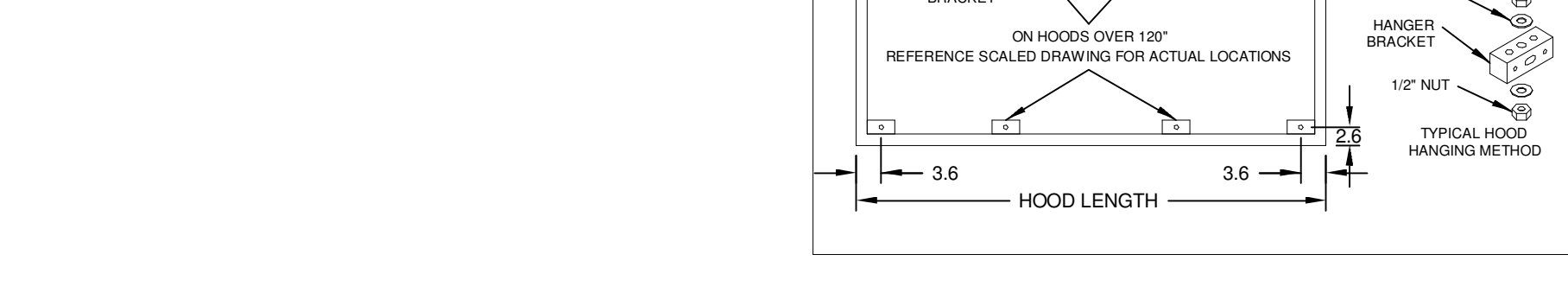
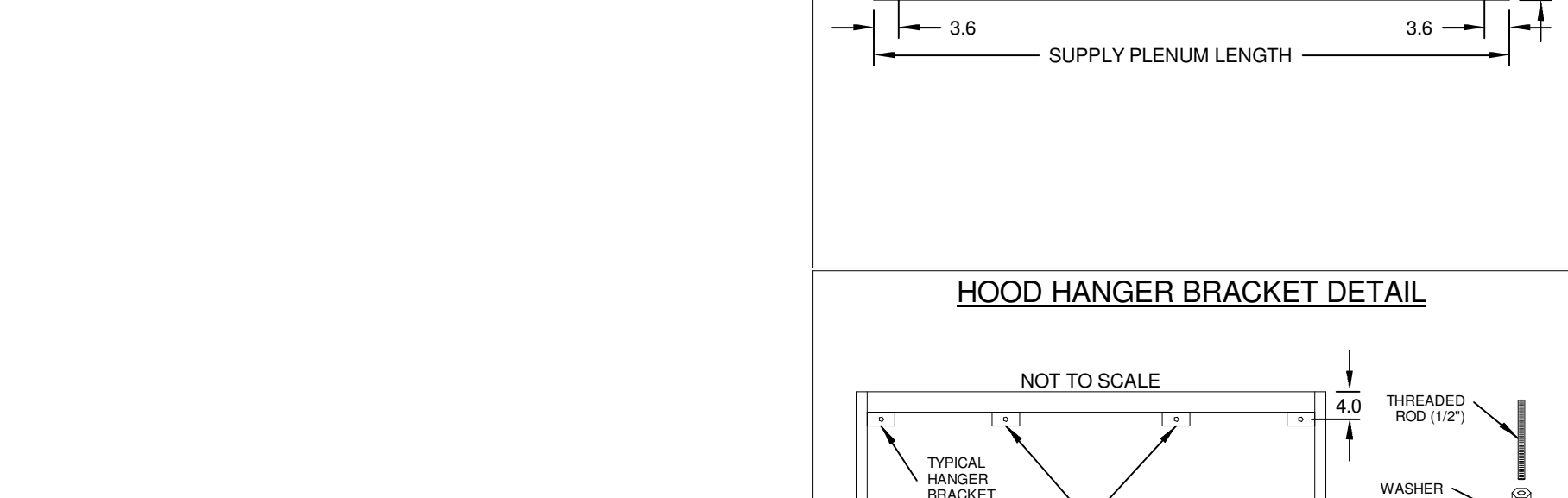
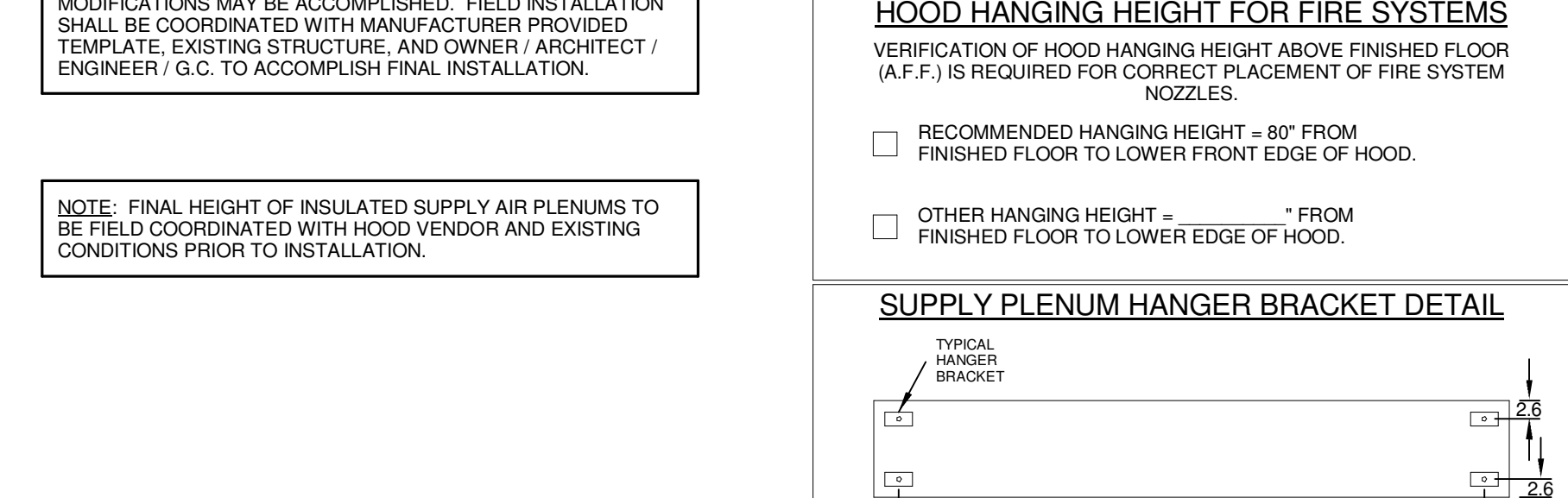
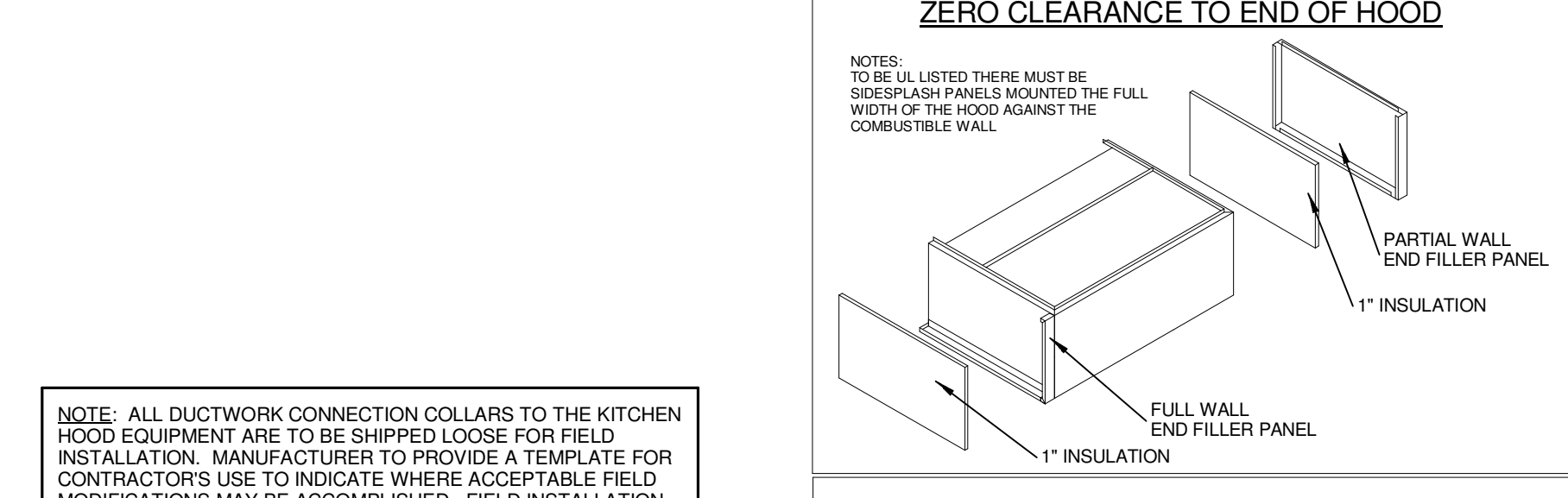
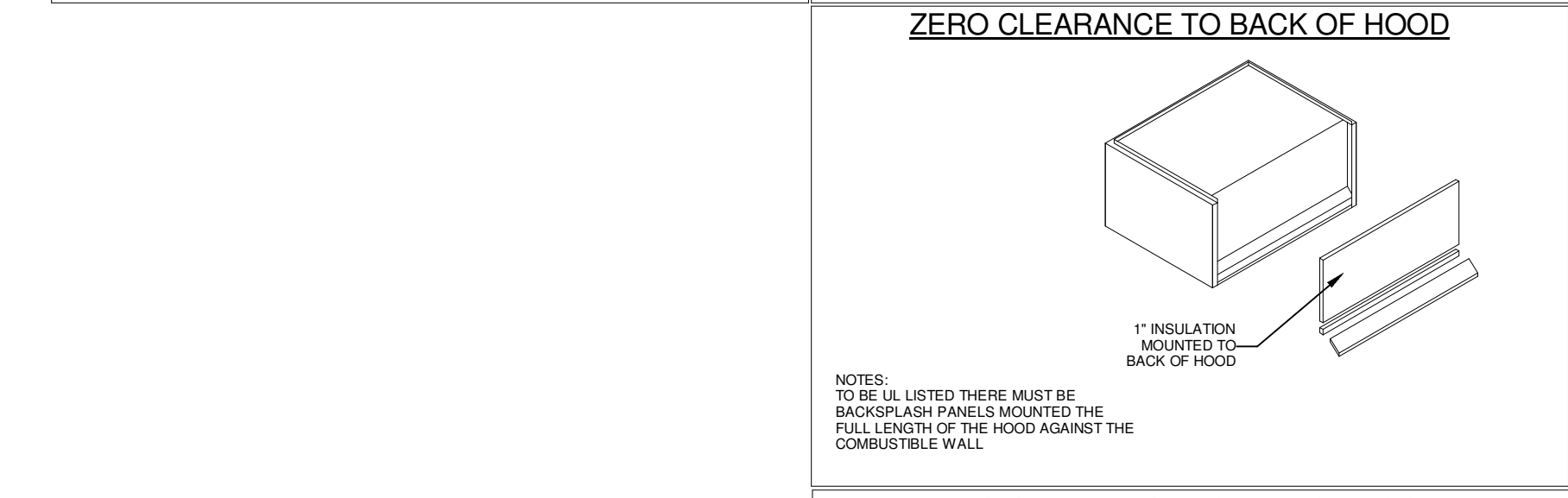
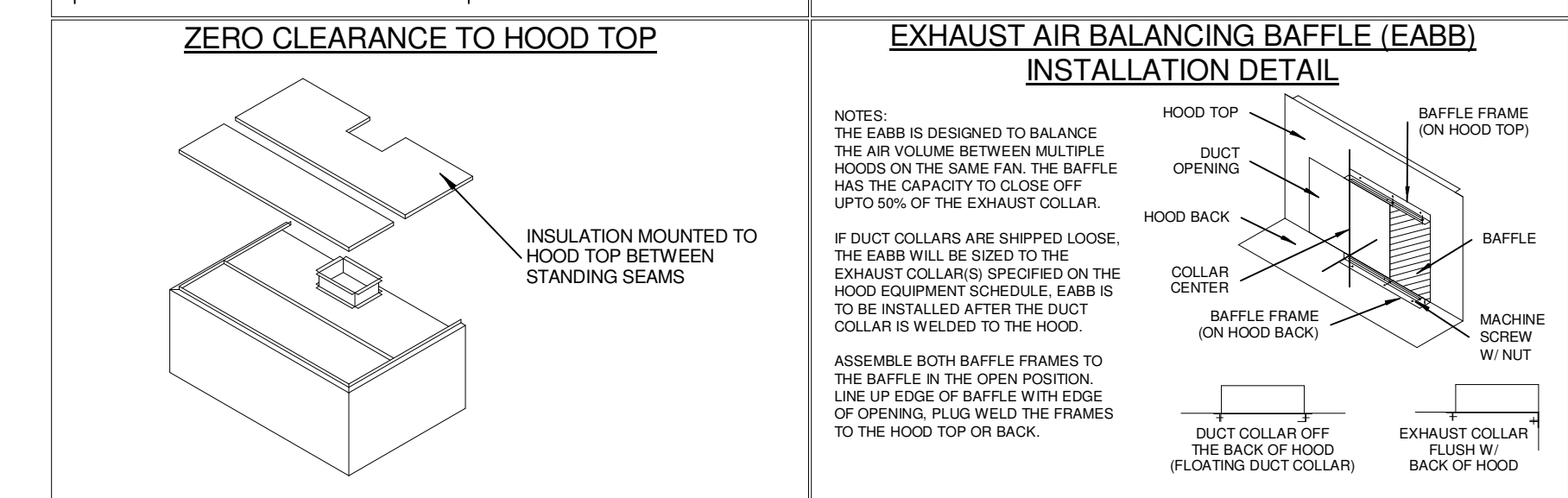
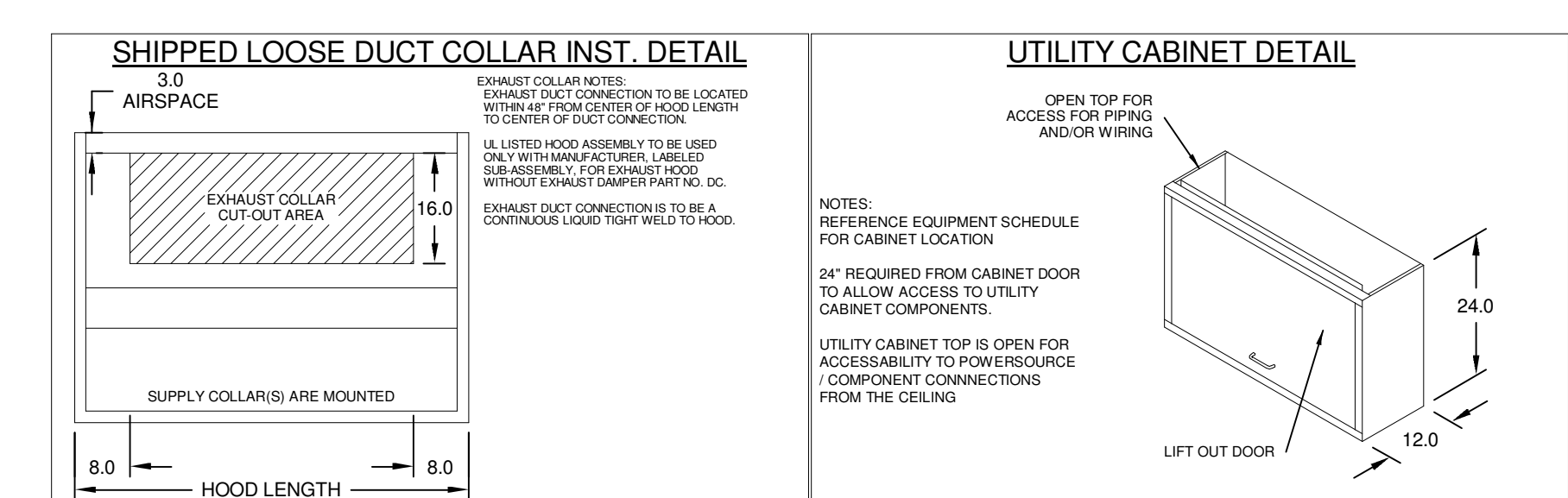
SUPPLY PLENUM INFORMATION																			
HOOD NO.	MARK	POS.	TYPE	SIZE (IN.)			INSULATED	DAMPER(S)	LED LIGHT(S)		TOTAL CFM	COLLARS							
				L	W	H			SUPPLIED	QTY		TYPE	MOUNTING	QTY	W	L	DIA.	CFM	S.P.
1	KH-2	FRONT	ASP	84.38	18	4	YES	YES	NO	NO	1522	MUA	LOOSE	2	16	26	761	0.21	263
1	KH-2	FRONT	ASP	84.38	18	4	YES	YES	NO	NO	1522	MUA	LOOSE	2	16	26	761	0.21	263

HOOD OPTIONS

- UL 710 LISTED W/ OUT EXHAUST FIRE DAMPER - UL #MH11726
- HOOD TOP INSULATED FOR ZERO CLEARANCE TO COMBUSTIBLES
- BACK INTEGRAL AIR SPACE - 3 IN WIDE
- LEFT NON-INTEGRAL AIR SPACE - 1 IN THICK - ZERO CLEARANCE
- RIGHT NON-INTEGRAL AIR SPACE - 1 IN THICK - ZERO CLEARANCE
- SHIPPED LOOSE EXHAUST COLLAR(S)
- EXHAUST AIR BALANCING BAFFLE(S) - (EABB)
- WALL UTILITY CABINET 24 IN HIGH 63 IN LONG 12 IN WIDE
- PERFORMANCE ENHANCING LIP (PEL) TECHNOLOGY
- STANDING SEAM CONSTRUCTION FOR SUPERIOR STRENGTH



1 KH-2 DETAILS
NOT TO SCALE



NOTE: KH-1 & KH-2 SHALL BE CONNECTED IN FIELD TO COMMON CONTROL BOX AND ANSUL CABINET. COORDINATE ALL CONNECTION REQUIREMENTS WITH HOOD MANUFACTURER.

PROJECT: 11/22/2022
MARK: KH-2
PLEASANT VALLEY COUNTRY CLUB HOOD
UL NSF
AIRTECH CORPORATION
91 FORREST MOSELEY
FORREST@AIRTECHCORP.COM 9;
(501)280-0404
GREENHECK