

Quality People. Building Solutions.

Comfort Systems USA (Arkansas), Inc.
P.O. Box 16620
Little Rock, AR 72231
Phone 501-834-3320
Fax 501-834-5416

Date: 10/3/2023

Return Request: 10/13/2023

Project: Regions HNTB

Supplier: Custom Metals

Manufacturer: Price

Submittal: Grilles, Registers, & Diffusers

Submittal Number: 23 00 00-04

Drawing # and Installation: Mechanical Drawings

ARCHITECT

DLR Group
2525 McKinnon St. Suite 800
Dallas, TX 75067
214-747-2511

ENGINEER

Pettit & Pettit
201 East Markham, Suite 400
Little Rock, AR 72201
501-374-3731

GENERAL CONTRACTOR

Baldwin & Shell
1000 W. Capitol Ave.
Little Rock, AR 72201
501-374-8677

MECHANICAL SUBCONTRACTOR

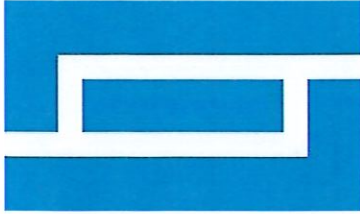
Comfort Systems USA (Arkansas), Inc.
9924 Landers Rd.
N. Little Rock, AR 72117
501-834-3320

Notes:

CSUSA PROJECT NO.

23-2014

chowell@comfortar.com



CUSTOM METALS

A DIVISION OF LEXICON, INC.
P.O. Box 16390, Little Rock, AR 72231
Telephone (501) 490-4400 Fax (501) 490-4422
www.lexicon-inc.com

Job: **HNTB @ W. CAPITAL**

Spec Section: **Grilles, Registers, & Diffusers**

Item: **Grilles & Diffusers**

Submitted by:

Joe Minton Jr.

HVAC Project Manager

(501) 607-0043

09-13-2023



Grilles/Registers/Diffusers Submittals

Job Name: HNTB
Job Location: Little Rock
Date Printed: 9/12/2023
Spec Section: 15 - HVAC

Contact: 7631 Northshore Place
N. Little Rock, AR 72118



All-In-One
Detailed Submittal Schedule
Grilles/Registers/Diffusers

#	Qty	Model	Tag	Unit Size	Inlet Size	Border	Pattern	Face Size	Airflow (CFM)	NC	Accessories
1	6	SCD	CD-1-6	6	6	31		24, 24	0	N/A	3C, FC
31 - 15/16" T-Bar Lay-In and Surface Mount Application 3C - 3 Cones (Default) FC - Fixed Core											
2	8	SCD	CD-1-8	8	8	31		24, 24	0	N/A	3C, FC
31 - 15/16" T-Bar Lay-In and Surface Mount Application 3C - 3 Cones (Default) FC - Fixed Core											
3	6	SCD	CD-1-10	10	10	31		24, 24	0	N/A	3C, FC
31 - 15/16" T-Bar Lay-In and Surface Mount Application 3C - 3 Cones (Default) FC - Fixed Core											
4	14	PDDR	RA-1		22x22	3	SQ	22x22, 24x24	0	N/A	F-ST, PL-ST, C
22x22 - 22" x 22" (559mm x 559mm) 3 - T-Bar Lay-in for 15/16 in. Flat Tee SQ - Square Inlet F-ST - Steel PL-ST - Steel C - Nominal - 2" Backpan											
5	1	PDDR	RA-2		10	3	RD	10, 24x24	0	N/A	F-ST, PL-ST, A
10 - 10" (254mm) 3 - T-Bar Lay-in for 15/16 in. Flat Tee RD - Round Inlet F-ST - Steel PL-ST - Steel A - Stamped Backpan											
6	16	CF		48.00, 1		EF			0	N/A	No-Acc
1 - 1 Slot EF - Exposed Frame No-Acc - No Accessories											
7	16	CFP		48.00	10				0	N/A	STANDARD, STL
10 - 10" Round Inlet STANDARD - Standard Construction STL - Steel Construction											

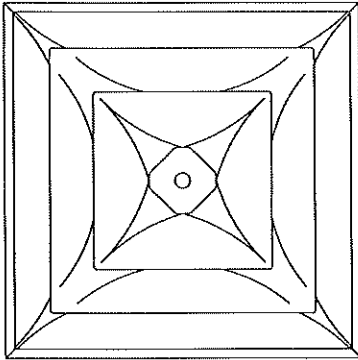


Performance Notes

Date Printed: 9/12/2023

1. Tested in accordance with ASHRAE Standard 70-2006 "Method of Testing for Rating the Performance of Air Outlets and Inlets".
2. Throw data is based on the temperature differential (Dt), in degrees Fahrenheit (°F), between supply air temperature and room temperature.
3. Throw values, in feet (ft), are provided at terminal air velocities of 150 fpm, 100 fpm, and 50 fpm for supply applications.
4. The NC, sound pressure level, is based on a room absorption of 10dB re 10⁻¹² Watts in each octave band.
5. Blanks (--) indicate an NC level below 15.
6. Air flow is in cubic feet per minute (cfm).
7. Static pressure (Ps), velocity pressure (Pv), and total pressure (Pt) are in inches of water (in. w.g.).

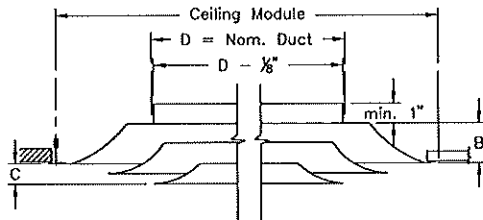
SCD Square Cone Diffuser



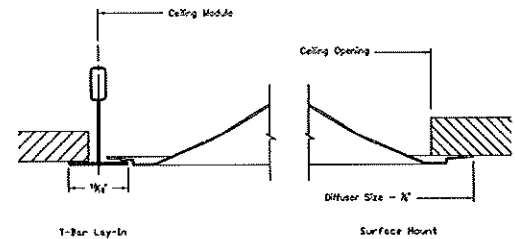
Duct Diameter: 6"
Backpan Height (B): 2 1/2"
Cone Depth (C): 1 1/16"
Ceiling Module: 24" x 24"
Ceiling Opening: 22" x 22"
(Surface Mount)
No. of Cones: 3 Cones

Border: 31

15/16" T-Bar Lay-In or Surface Mount Application



Frame Detail:



Notes:

- 360° radial horizontal air pattern
- Fixed core with removable plug button. For surface mount installation, use of a plaster frame is recommended.
- For 9/16" flat tee installation with style 31 frame, cross-tees must be firmly secured. Locking any unopposed cross tees to the main beam with clips such as Armstrong STAC is recommended. Corner clips from ceiling suppliers may also be used, or order 916 clip in GRD-PARTS (confirming fit with ceiling on site is recommended).
- Integral hanger loops
- Factory tolerance +/- 1/32"



Scan for link to additional product information

Material:

- Diffuser: Steel

Finish:

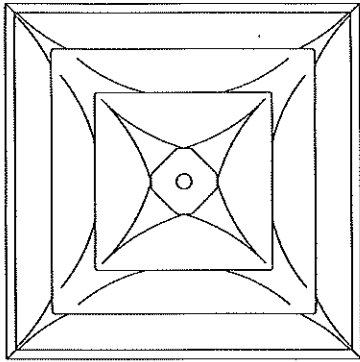
- B12 - Standard White

PROJECT: HNTB
ENGINEER:
DESCRIPTION: Square Cone Diffuser
 SCD-1-211/6124/24/31/3C/FC/111/B12

SUBMITTAL NO: 258274-F
CUSTOMER:

SUBMITTAL DATE: 9/12/2023

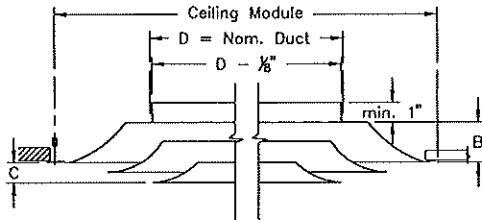
SCD Square Cone Diffuser



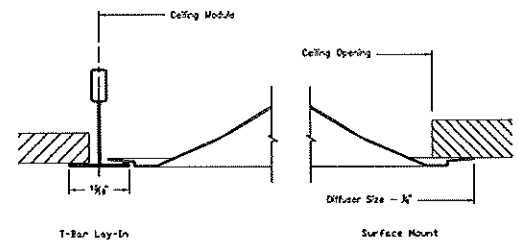
- Duct Diameter:** 8"
- Backpan Height (B):** 2 1/2"
- Cone Depth (C):** 1 1/16"
- Ceiling Module:** 24" x24"
- Ceiling Opening:
(Surface Mount)** 22" x 22"
- No. of Cones:** 3 Cones

Border: 31

15/16" T-Bar Lay-In or Surface Mount Application



Frame Detail:



Notes:

- 360° radial horizontal air pattern
- Fixed core with removable plug button. For surface mount installation, use of a plaster frame is recommended.
- For 9/16" flat tee installation with style 31 frame, cross-tees must be firmly secured. Locking any unopposed cross tees to the main beam with clips such as Armstrong STAC is recommended. Corner clips from ceiling suppliers may also be used, or order 916 clip in GRD-PARTS (confirming fit with ceiling on site is recommended).
- Integral hanger loops
- Factory tolerance +/- 1/32"



Scan for link to additional product information

Material:

- Diffuser: Steel

Finish:

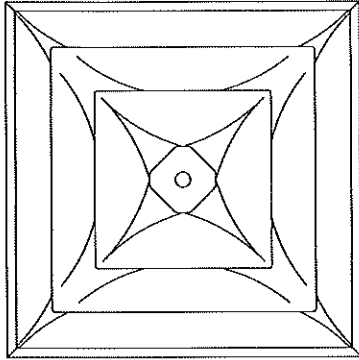
- B12 - Standard White

PROJECT: HNTB
ENGINEER:
DESCRIPTION: Square Cone Diffuser
SCD-1-2//1/8//24/24/31//3C/FC//11/B12

SUBMITTAL NO: 258274-F
CUSTOMER:

SUBMITTAL DATE: 9/12/2023

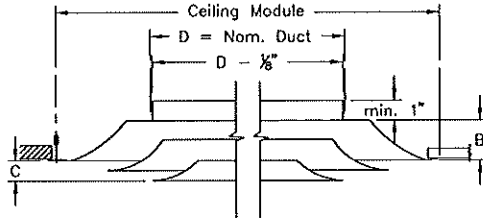
SCD Square Cone Diffuser



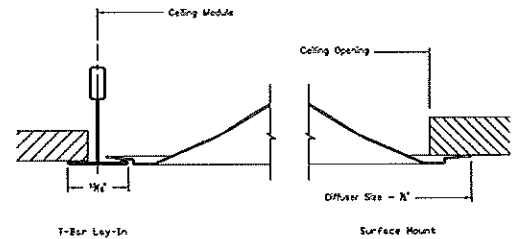
- Duct Diameter:** 10"
- Backpan Height (B):** 2 1/2"
- Cone Depth (C):** 1 1/16"
- Ceiling Module:** 24" x 24"
- Ceiling Opening: (Surface Mount)** 22" x 22"
- No. of Cones:** 3 Cones

Border: 31

15/16" T-Bar Lay-In or Surface Mount Application



Frame Detail:



Notes:

- 360° radial horizontal air pattern
- Fixed core with removable plug button. For surface mount installation, use of a plaster frame is recommended.
- For 9/16" flat tee installation with style 31 frame, cross-tees must be firmly secured. Locking any unopposed cross tees to the main beam with clips such as Armstrong STAC is recommended. Corner clips from ceiling suppliers may also be used, or order 916 clip in GRD-PARTS (confirming fit with ceiling on site is recommended).
- Integral hanger loops
- Factory tolerance +/- 1/32"

Material:

- Diffuser: Steel

Finish:

- B12 - Standard White



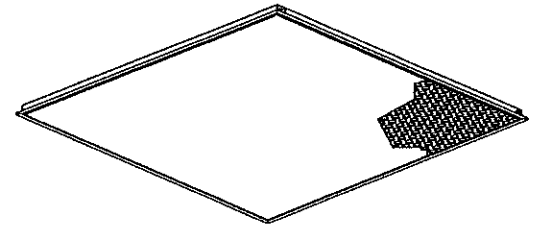
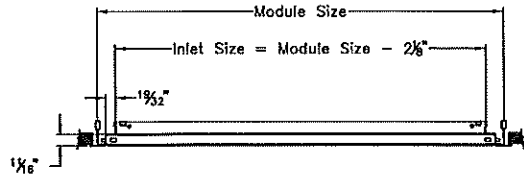
Scan for link to additional product information

PROJECT: HNTB
ENGINEER:
DESCRIPTION: Square Cone Diffuser
SCD-1-2/11/10/24/24/31/13C/FC/111/B12

SUBMITTAL NO: 258274-F
CUSTOMER:

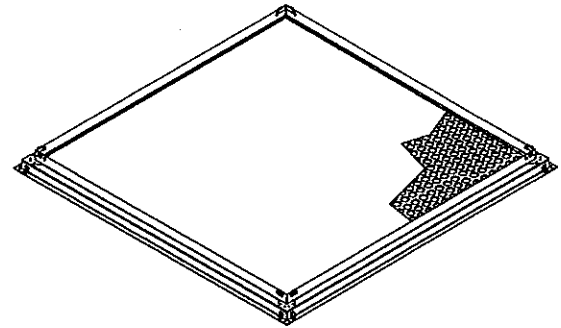
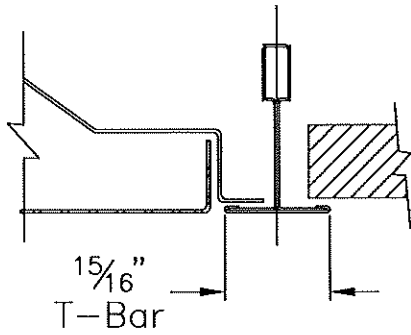
SUBMITTAL DATE: 9/12/2023

PDDR Perforated Return Diffuser



Module Size: 24"x24"
Inlet Size: 22"x22"

Frame Style: 3 - 15/16" T-Bar Lay-In



Finish

- B12 - Standard White

Notes

- Face panel is removable
- Integral hanger loops
- Factory tolerance +/- 1/32"

Construction

- Perforated face - 3/16" holes, 51% free area
- F-ST - Steel face
- Steel backpan and outer frame
- Steel spring latches



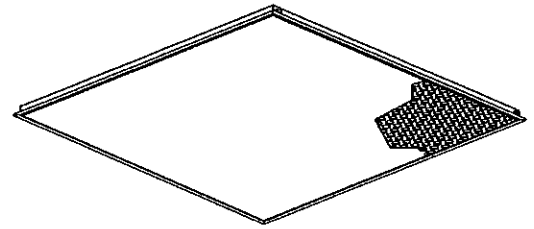
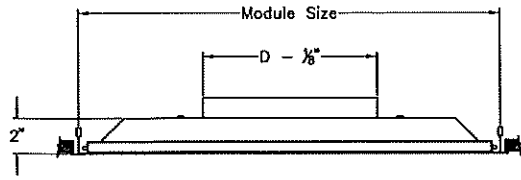
Scan for link to additional product information

PROJECT: HNTB
ENGINEER:
DESCRIPTION: Perforated Return Diffuser
PDDR-1-2//I//IN/SQ/22x22//24x24/3/F-ST/PL-ST/C/////B12

SUBMITTAL NO: 271091-A
CUSTOMER:

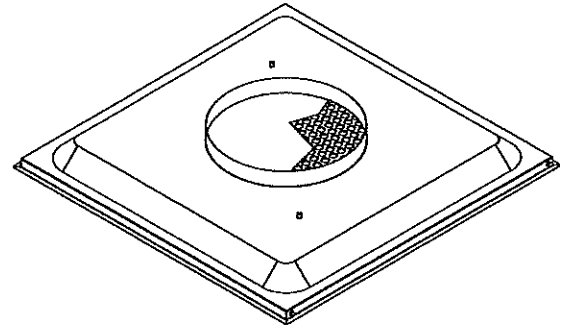
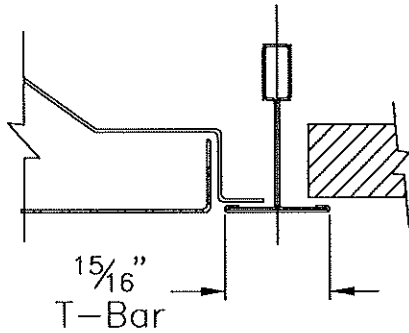
SUBMITTAL DATE: 9/12/2023

PDDR Perforated Return Diffuser



Module Size: 24"x24"
Inlet Size: 10" round

Frame Style: 3 - 15/16" T-Bar Lay-In



Finish

- B12 - Standard White

Notes

- Face panel is removable
- Integral hanger loops
- Factory tolerance +/- 1/32"

Construction

- Perforated face - 3/16" holes, 51% free area
- F-ST - Steel face
- Steel backpan and outer frame
- Steel spring latches



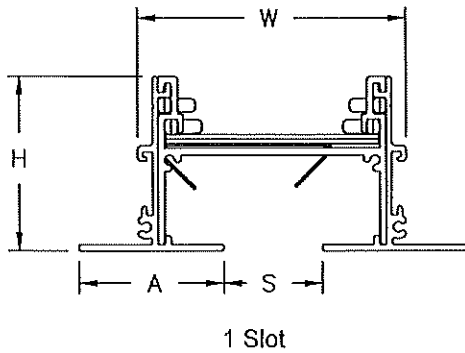
Scan for link to additional product information

PROJECT: HNTB
ENGINEER:
DESCRIPTION: Perforated Return Diffuser
PDDR-1-2//IN/RD/10//24x24/3/F-ST/PL-ST/A//B12

SUBMITTAL NO: 271091-A
CUSTOMER:

SUBMITTAL DATE: 9/12/2023

CF Custom Flow



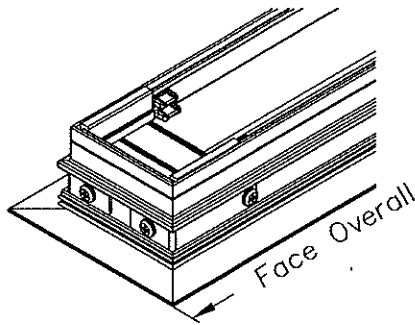
Slot Qty	S	A	H	W	Opening Width*
1	1"	1 7/16"	1 3/4"	2 3/4"	3 3/8"

* Opening width is outside dimension of field built plenum with hemmed edges. If no plenum is used, opening width may be additionally reduced by up to 1/4" (6mm).

Style: AS - Adjusta Slot
 Ordered Size: 48.00"
 Frame Style: EF - Exposed Frame

Endcaps

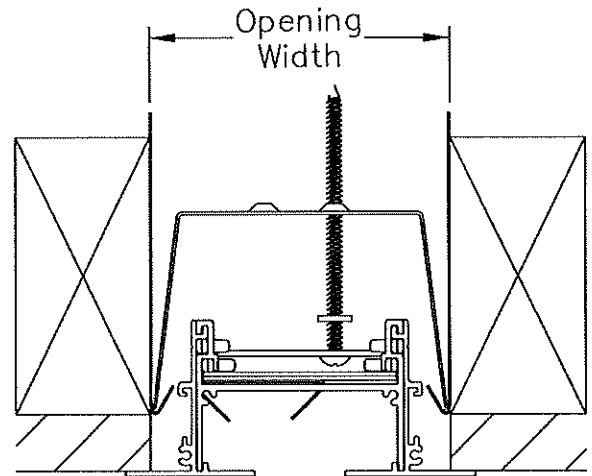
XX Mitered Endcaps



End Condition	Face Overall Length
XX	Ordered + 11/16"

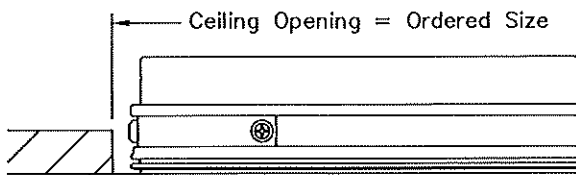
Mounting:

C Concealed Mounting Brackets



Application

SM Surface Mount



PROJECT: HNTB
 ENGINEER:
 DESCRIPTION: Custom Flow
 CF-1-2/1/1/IN/48.00/Single/AS/1.0/1/SM/EF/C/XX/DPC/BFR/No-Acc//No-CT/B12

SUBMITTAL NO: 267998-N
 CUSTOMER:

SUBMITTAL DATE: 9/12/2023

Material

- Extruded aluminum frame & spacers
- Steel pattern controllers
- Plastic locking pins
- Coated steel fasteners
- Coated steel concealed mounting brackets

Finish

- Diffuser face: B12 - Standard White
- Interior surface: BFR - B17 black upper frame stack (AS, RT)
- Pattern controllers - B17 black

Notes

- Minimum length 12" (305mm)
- For installation instructions, instructions for drywall finishing, or instructions for field trimming, please see the CF installation manual
- Field trimming not recommended for X ends
- Replacement parts can be ordered through CFK or GRD-PARTS models
- For use with model CFP, UP, and UPL plenums
- Factory tolerance $\pm 1/32"$ (1mm)



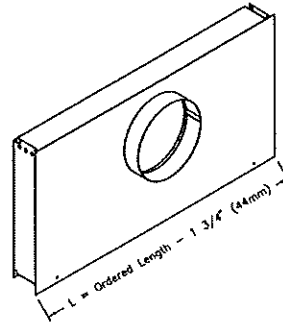
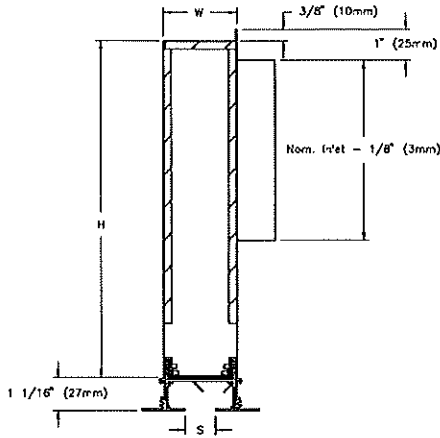
Scan for link to additional product information and installation instructions.

PROJECT: HNTB
ENGINEER:
DESCRIPTION: Custom Flow
CF-1-2//I//IN/48.00/Single/AS/1.0/1/SM/EF/C/XX/DPC/BFR/No-Acc//No-CT/B12

SUBMITTAL NO: 267998-N
CUSTOMER:

SUBMITTAL DATE: 9/12/2023

CFP Custom Flow Plenum



Length: 48.000"

Inlet Size: 10" Round Inlet

S	Slots	H	W
1"	1	13"	2 7/16"

Plenum Compatibility Chart									
Diffuser Frame Style & Mounting	EF (LI)	FM (LI)	TG916	TG1516	TZ-4	TZ-6	CMF-EF	FM-CMF	FM-EF
NO-MOUNT	•	•	•	•	•	•			
HB	•	•			•	•			•
HBN		•	•	•					
MP-DRxHB							•	•	•
MP-D625xHB							•	•	•
AxHB							•	•	

FLAT - Flat Edge (screw attached to diffuser neck)

Material

- Coated steel

Finish

- MILL - Unpainted

Insulation

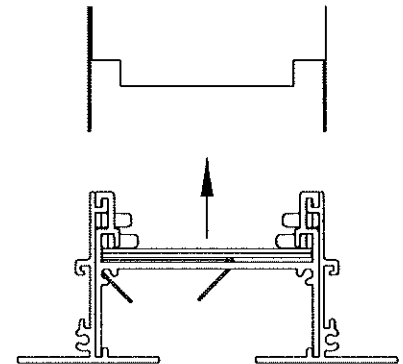
- CF+E - Coated Fiberglass Insulation with insulated endcaps (sides, top, and endcaps)

Notes

- Use with Custom Flow (CF) diffusers
- When plenum endcaps are not positioned directly over diffuser spacer bar, install blankoff from plenum endcap to next spacer bar.
- For installation instructions, please see CF installation manual
- Factory tolerance $\pm 1/16"$ (2mm)

Plenum Options

Standard Construction



Scan for link to additional product information and installation instructions.

PROJECT: HNTB
 ENGINEER:
 DESCRIPTION: Custom Flow Plenum
 CFP-1-2//I//IN/48.000/FLAT/1.0/1/13.000/10/CL//NO-DAMPER/CF+E/STANDARD/STL/MILL

SUBMITTAL NO: 269573-M
 CUSTOMER:

SUBMITTAL DATE: 9/12/2023