

Quality People. Building Solutions.

Comfort Systems USA (Arkansas), Inc.
P.O. Box 16620
Little Rock, AR 72231
Phone 501-834-3320
Fax 501-834-5416

Date: 10/3/2023

Return Request: 10/13/2023

Project: Regions HNTB

Supplier: Custom Metals

Manufacturer: Dace

Submittal: Air Duct Accessories

Submittal Number: 23 00 00-03

Drawing # and Installation: Mechanical Drawings

ARCHITECT

DLR Group
2525 McKinnon St. Suite 800
Dallas, TX 75067
214-747-2511

ENGINEER

Pettit & Pettit
201 East Markham, Suite 400
Little Rock, AR 72201
501-374-3731

GENERAL CONTRACTOR

Baldwin & Shell
1000 W. Capitol Ave.
Little Rock, AR 72201
501-374-8677

MECHANICAL SUBCONTRACTOR

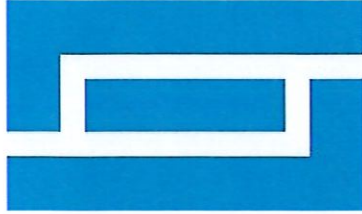
Comfort Systems USA (Arkansas), Inc.
9924 Landers Rd.
N. Little Rock, AR 72117
501-834-3320

Notes:

CSUSA PROJECT NO.

23-2014

chowell@comfortar.com



CUSTOM METALS

A DIVISION OF LEXICON, INC.
P.O. Box 16390, Little Rock, AR 72231
Telephone (501) 490-4400 Fax (501) 490-4422
www.lexicon-inc.com

Job: **HNTB @ W. CAPITAL**

Spec Section: **Air Duct Accessories**

Item: **Takeoffs and Manual Dampers**

Submitted by:

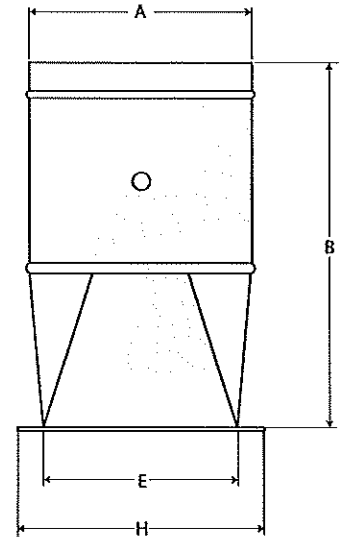
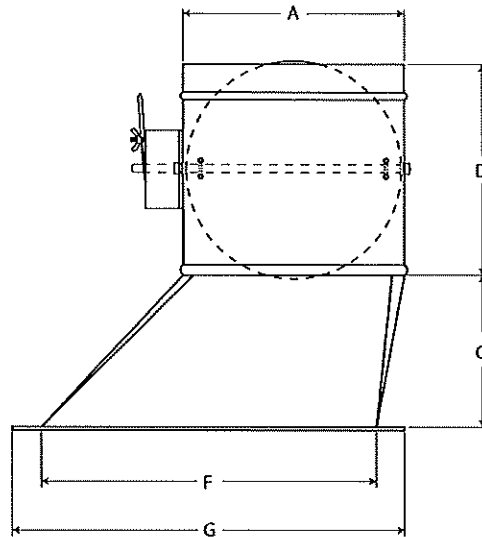
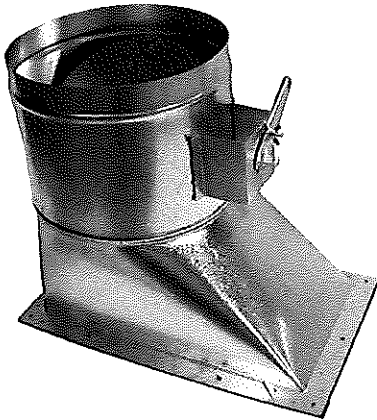
Joe Minton Jr.

HVAC Project Manager

(501) 607-0043

09-13-2023

HIGH EFFICIENCY TAKEOFF



SIZE	A	B	C	D	E	F	G	H
5	4 7/8	12	6	6	5	9	11	7
6	5 7/8	12	6	6	5	9	11	7
7	6 7/8	12	6	6	6	11	13	8
8	7 7/8	12	6	6	6	12	14	8
9	8 7/8	12	6	6	7	13	15	9
10	9 7/8	12	6	6	8	14	16	10
12	11 7/8	12	6	6	10	16	18	12
14	13 7/8	12	6	6	12	18	20	14
16	15 7/8	12	6	6	14	20	22	16
18	17 7/8	12	6	6	16	22	24	18
20	19 7/8	12	6	6	18	24	26	20

STANDARD CONSTRUCTION DETAILS

- 26 gauge G90/60 corrosion resistant steel
- 1" flange with die formed corners & pre punched mounting holes
- entire unit is spot welded, SMACNA 3" WG minimum
- adhesive coated rubber perimeter gasket
- CO3 damper control: a 2" raised locking quadrant, 3/8" sq. axle, nylon bearings, fastened to the damper with U bolts.

OPTIONS IN CONSTRUCTION

- material 24 ga, 22 ga galvanized steel,
- all aluminum or all stainless steel

Dace Mfg.

orders@dacemfg.co

SUBMITTAL

Feb 2015

ROUND MANUAL BALANCE DAMPER

MODEL: RMBD CO3

Purpose Description:

The round manual balancing damper is used to regulate air flow in pipe.

CONSTRUCTION:

BARREL: (B) 6" long, beaded & tapered.

ALL DIAMETERS: (A) sized 1/8" under nominal

BODY MATERIAL:

26 gauge standard

OPTIONS:

24 gauge steel

22 gauge steel

SS 304

DAMPER BLADES:

26 gauge standard

OPTIONS:

24 GA,

22 GA steel,

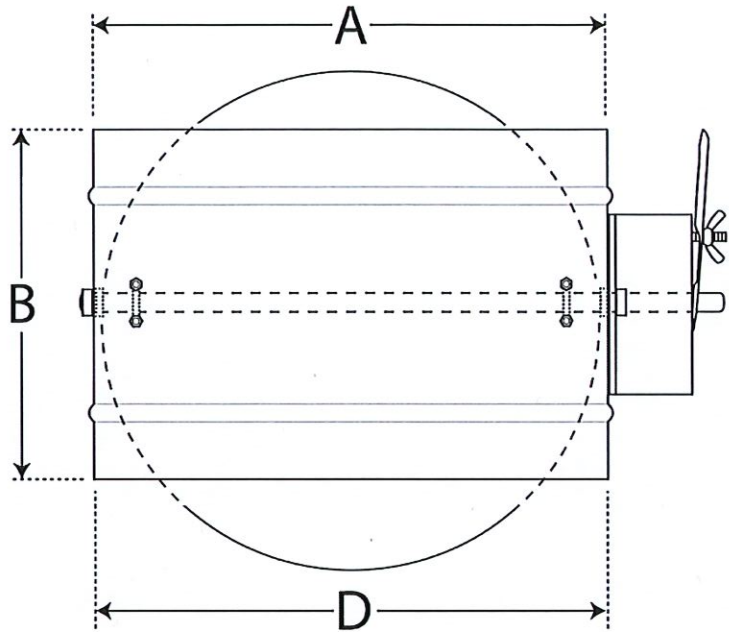
20 gauge—16 gauge steel

SS 304

DAMPER CONTROL:

CO3 - 2" raised handle, locking quadrant, 3/8" square continuous rod, 'U' bolts, nylon bearings

All stainless steel option



RMBD-CO3

