

Quality People. Building Solutions.

Comfort Systems USA (Arkansas), Inc.
P.O. Box 16620
Little Rock, AR 72231
Phone 501-834-3320
Fax 501-834-5416

Date: 10/3/2023

Return Request: 10/13/2023

Project: Regions HNTB

Supplier: Sanders Supply

Manufacturer: Various

Submittal: Plumbing Piping Specialties

Submittal Number: 22 00 00-03

Drawing # and Installation: Plumbing Drawings

ARCHITECT

DLR Group
2525 McKinnon St. Suite 800
Dallas, TX 75067
214-747-2511

ENGINEER

Pettit & Pettit
201 East Markham, Suite 400
Little Rock, AR 72201
501-374-3731

GENERAL CONTRACTOR

Baldwin & Shell
1000 W. Capitol Ave.
Little Rock, AR 72201
501-374-8677

MECHANICAL SUBCONTRACTOR

Comfort Systems USA (Arkansas), Inc.
9924 Landers Rd.
N. Little Rock, AR 72117
501-834-3320

Notes:

CSUSA PROJECT NO.

23-2014

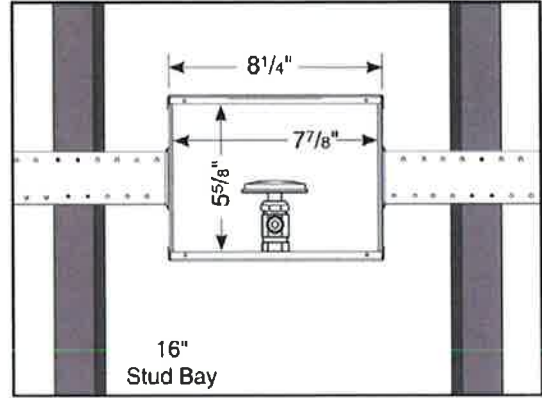
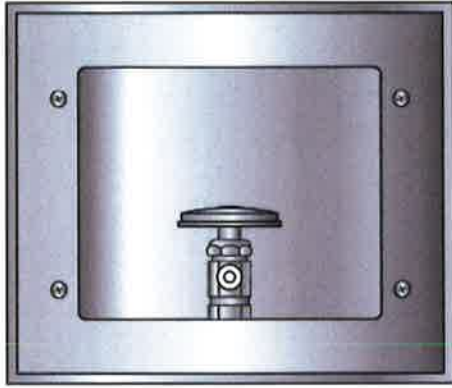
chowell@comfortar.com

IM-1

SPECIFICATION SUBMITTAL SHEET



GALVANIZED ICE MAKER OUTLET BOX with Lead Free Domestic Valve



Specifications:

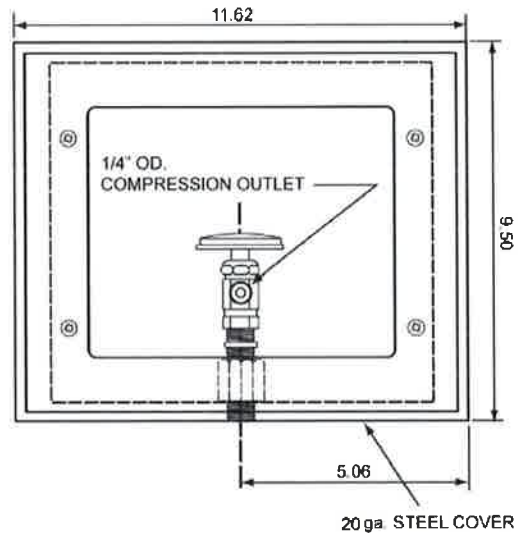
Furnish and install galvanized ice maker box. Unit shall be Guy Gray product code checked below as manufactured by IPS Corporation.

Box Material:

G90 Hot Dipped Galvanized Steel (unpainted)
20 gauge box with 20 gauge faceplate

Valve & Drain Options:

Lead free Domestic Valve with 1/2" MIP/Sweat, CPVC or PEX connection. Valves comply with ASME A112.18.1.



Valves comply with the requirements of NSF 61-G and the "Reduction of Lead in Drinking Water Act" (Federal Public Law 111-380)

	Item #	Product Description	Model #	Quantity
→	88158	Lead Free Domestic Valve - 1/2" Sweat Conx.	BIM875AB	5
	96997	Tamper resistant cover for Models B, BB, WB, FB, & BIM	BTRC	6



FD-1

Engineering Specification

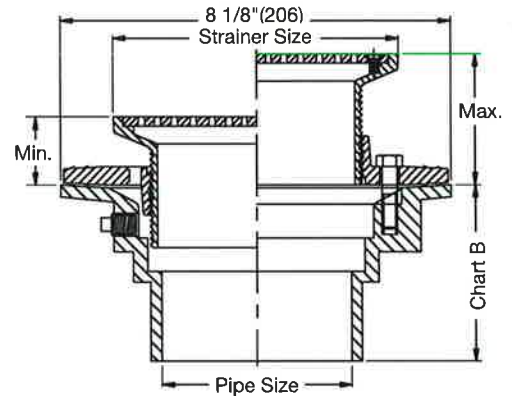
Job Name HNTB
 Job Location LR
 Engineer Pettit and Pettit
 Approval _____
 Tag FD-1

Contractor Comfort Systems USA
 Approval _____
 Contractor's P.O. No. _____
 Representative Sanders Supply

FD-100-A Floor Drain with Round Strainer

Specification

Watts FD-100-A epoxy coated cast iron floor drain with anchor flange, reversible clamping collar with primary and secondary weepholes, adjustable round heel proof nickel bronze strainer, and no hub (standard) outlet.



Pipe Sizing		
Suffix	Description	
2	2"(51) Pipe Size	<input type="checkbox"/>
3	3"(76) Pipe Size	<input type="checkbox"/>
4	4"(102) Pipe Size	<input type="checkbox"/>
6	6"(152) Pipe Size (NH Only)	<input type="checkbox"/>

Outlet Type		
Suffix	Description	
NH	No Hub (M)	<input type="checkbox"/>
P	Push On	<input checked="" type="checkbox"/>
T	Threaded Outlet	<input type="checkbox"/>
X	Inside Caulk	<input type="checkbox"/>

Strainer		
Suffix	Description	
A5	5"(127) Dia., Nickel Bronze	<input type="checkbox"/>
A6	6"(152) Dia., Nickel Bronze	<input type="checkbox"/>
A7	7"(178) Dia., Nickel Bronze	<input checked="" type="checkbox"/>
A8	8"(203) Dia., Nickel Bronze	<input type="checkbox"/>
A10	10"(254) Dia., Nickel Bronze	<input type="checkbox"/>

Options		
Suffix	Description	
-5	Sediment Bucket	<input type="checkbox"/>
-6	Vandal Proof	<input type="checkbox"/>
-7	Trap Primer Tapping	<input checked="" type="checkbox"/>
-8	Backwater Valve (2, 3, 4" Only)	<input type="checkbox"/>
-13	Galvanized Body	<input type="checkbox"/>
-15	Strainer Extension (DD-50)	<input type="checkbox"/>
-F4-50	4" Round Cast Iron Funnel	<input type="checkbox"/>
-F4-1	4" Round Nickel Bronze Funnel	<input type="checkbox"/>
-F6-1	6" Round Nickel Bronze Funnel	<input type="checkbox"/>
-G-50	4x9" Oval Cast Iron Funnel	<input type="checkbox"/>
-G-1	4x9" Oval Nickel Bronze Funnel	<input type="checkbox"/>
-S0	Side Outlet	<input type="checkbox"/>

Optional Body Material		
Suffix	Description	
-60	PVC Body w/Socket Outlet (2, 3, 4" Only)	<input type="checkbox"/>
-61	ABS Body w/Socket Outlet (2, 3, 4" Only)	<input type="checkbox"/>

Strainer Size				
Str. Dia.	Min.	Max.	Load Rating	Free Area Sq. In.
5"(127)	13/16"(21)	3 1/4"(83)	*MD	8
6"(152)	7/8"(22)	3 3/8"(86)	*MD	9
7"(178)	11/16"(17)	3 1/4"(83)	*MD	12
8"(203)	7/8"(22)	3 1/4"(83)	*MD	18
10"(254)	1 1/4"(32)	3 1/4"(83)	*MD	28

NOTICE

The information contained herein is not intended to replace the full product installation and safety information available or the experience of a trained product installer. You are required to thoroughly read all installation instructions and product safety information before beginning the installation of this product.

Chart B					
Pipe Size	Std. No Hub	P Push On	T Female Thread	X Inside Caulk	60/61 PVC/ABS
2"(52)	3 5/8"(92)	4 1/4"(108)	4 1/4"(108)	4 1/2"(114)	4"(102)
3"(76)	3 5/8"(92)	4 1/4"(108)	4 1/4"(108)	4 1/2"(114)	4"(102)
4"(102)	3 5/8"(92)	4 1/4"(108)	4 1/4"(108)	4 1/2"(114)	4"(102)
6"(152)	3 1/2"(89)				

Watts product specifications in U.S. customary units and metric are approximate and are provided for reference only. For precise measurements, please contact Watts Technical Service. Watts reserves the right to change or modify product design, construction, specifications, or materials without prior notice and without incurring any obligation to make such changes and modifications on Watts products previously or subsequently sold.



USA: T: (800) 338-2581 • Watts.com
 Canada: T: (888) 208-8927 • Watts.ca
 Latin America: T: (52) 55-4122-0138 • Watts.com

Engineering Specification

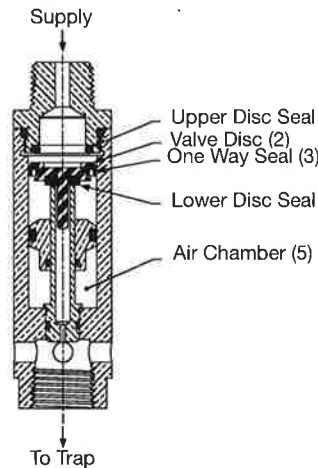
Job Name HNTB
 Job Location LR
 Engineer Pettit and Pettit
 Approval _____
 Tag FD-1

Contractor Comfort Systems USA
 Approval _____
 Contractor's P.O. No. _____
 Representative Sanders Supply

LFTP300-DR Trap Primer & Distribution Unit

Specification

Watts LFTP300-DR pressure drop activated lead free* brass trap primer with EPDM seals, integral air gap, and 1/2" sweat or NPT threaded connections. Operating pressure 25 psi -125 psi. Tested and approved in conformance with ASSE Standard 1018. Specify Model LFTP300-DU-DR for Distribution Unit.



Flow Chart

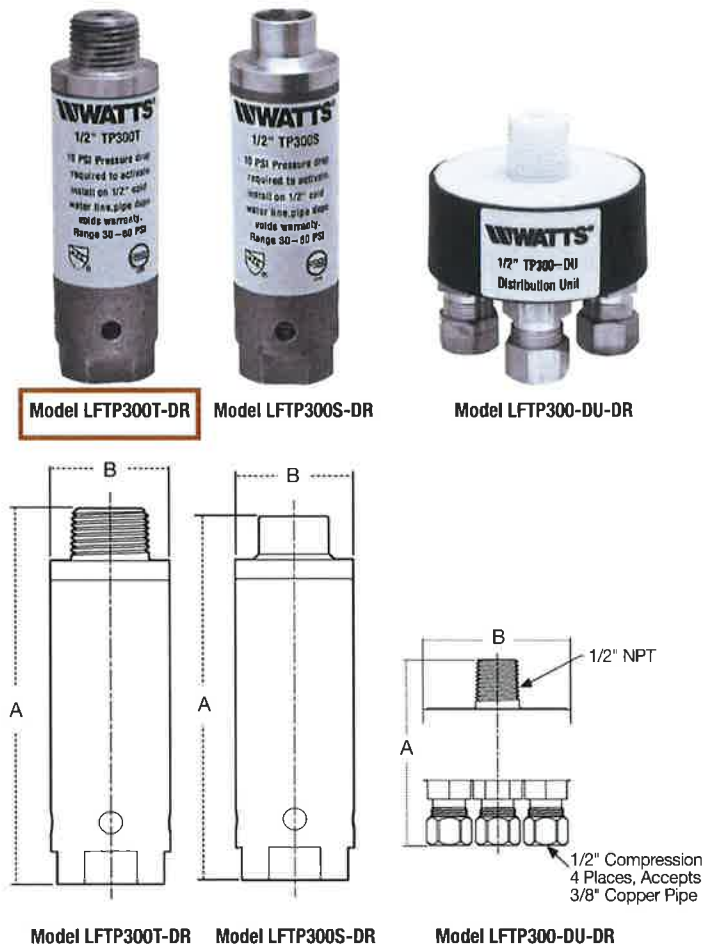
Inlet Pressure	25	50	75	100	125
*GPM	1.1	1.6	2.0	2.3	2.4
*LPM	4.2	6.1	7.6	8.7	9.1

NOTICE

*Minimum cold flow required for proper trap priming.

NOTICE

The information contained herein is not intended to replace the full product installation and safety information available or the experience of a trained product installer. You are required to thoroughly read all installation instructions and product safety information before beginning the installation of this product.



Model	Size (DN)	Dimensions					
		A		B			
		in.	mm	in.	mm	in.	mm
LFTP300T-DR	1/2 Threaded	15	4 5/16	110	1 1/4	32	
LFTP300S-DR	1/2 Sweat	15	4 1/4	107	1 1/4	32	
LFTP300-DU-DR	1/2	15	3 1/8	79	2 13/16	71	

Watts product specifications in U.S. customary units and metric are approximate and are provided for reference only. For precise measurements, please contact Watts Technical Service. Watts reserves the right to change or modify product design, construction, specifications, or materials without prior notice and without incurring any obligation to make such changes and modifications on Watts products previously or subsequently sold.



USA: T: (800) 338-2581 • F: (828) 248-3929 • Watts.com
 Canada: T: (888) 208-8927 • F: (905) 481-2316 • Watts.ca
 Latin America: T: (52) 55-4122-0138 • Watts.com

CWD

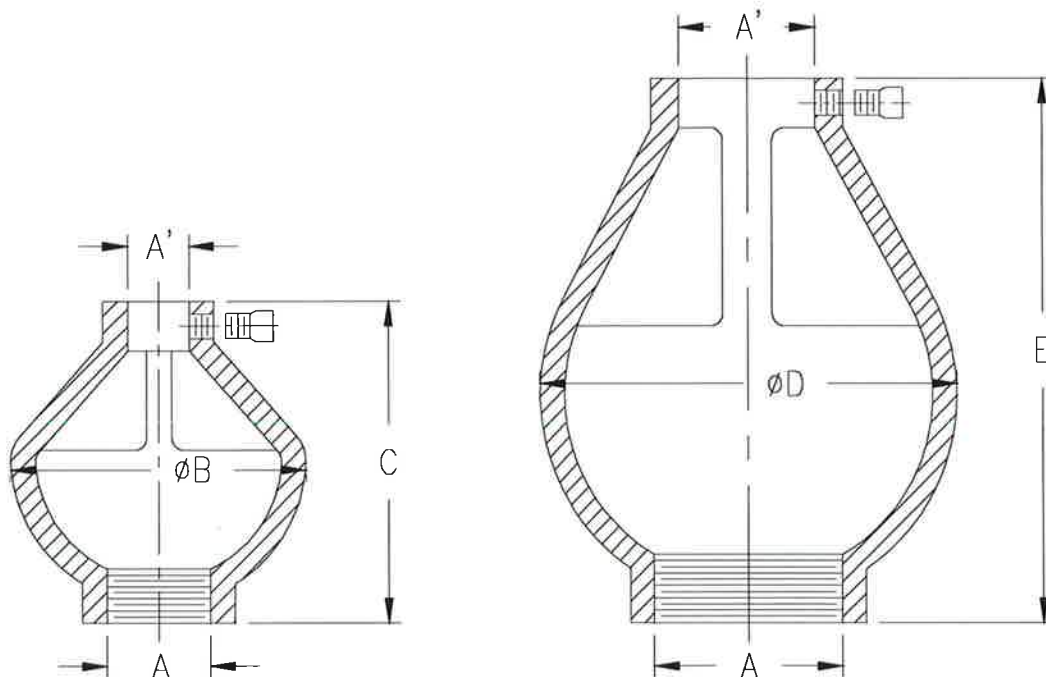


Z1024 FIXED AIR GAP

SPECIFICATION SHEET

TAG CWD

Dimensional Data (inches and [mm]) are Subject to Manufacturing Tolerances and Change Without Notice



Product Designation	Dimensions In Inches					Approx. Wt. Lbs. [kg]
	Pipe Size	B	C	D	E	
	A' x A SJ x N.P.T.					
-1	1/4 X 3/4 [6 X 19]	3 [76]	3-1/4 [83]	-----	-----	1 [.5]
-2	1/2 X 3/4 [13 X 19]	----	----	4-1/4 [108]	5-1/2 [140]	3 [1]
-3	1/2 X 1 [13 X 25]	----	----	4-1/4 [108]	5-1/2 [140]	3 [1]
-4	3/4 X 1-1/2 [19 X 38]	----	----	4-1/4 [108]	5-1/2 [140]	3 [1]
-5	1 X 1-1/2 [25 X 38]	----	----	4-1/4 [108]	5-1/2 [140]	3 [1]

ENGINEERING SPECIFICATION: ZURN Z1024

Fixed Air Gap, Dura-Coated cast iron body with slip joint inlet and N.P.T. outlet.

CONNECTIONS (Check/specify appropriate options)

PIPE SIZE

See Chart

(Specify size) **CONNECTION**

___ SJ X N.P.T. Slip Joint x N.P.T.

PREFIXES

___ Z D.C.C.I.*

SUFFIXES

___ -G Galvanized Cast Iron

REV. C	DATE: 08/10/12	C.N. NO. 124644
DWG. NO. 61451	PRODUCT NO. Z1024	

*REGULARLY FURNISHED UNLESS OTHERWISE SPECIFIED

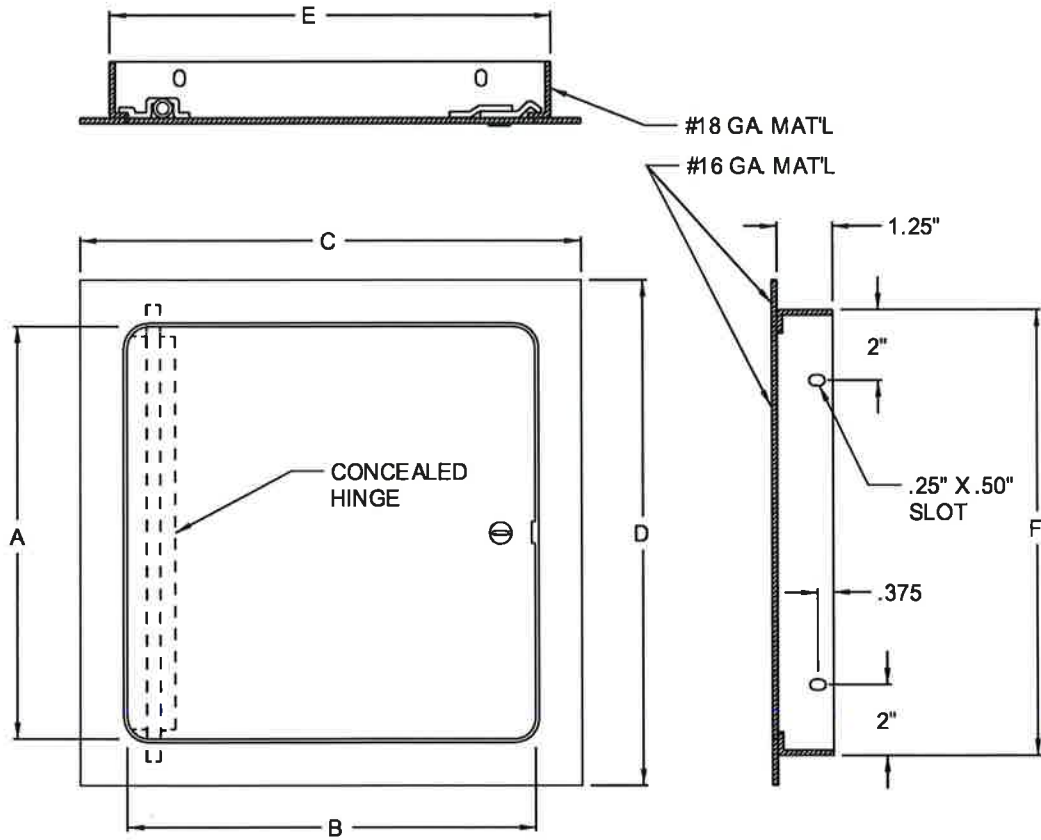


www.acudor.com
 U.S.A: info@acudor.com / 800.722.0501
 CANADA: info@acudor.ca / 844.228.3671
 INTERNATIONAL: info@acudorintl.com
 (905) 428.2240

UF-5000

UNIVERSAL FLUSH

QTY.	NOMINAL SIZE	A	B	C	D	E	F	LOCK
	6 x 6 (152 x 152)	5.45 (138)	5.45 (138)	7.62 (194)	7.62 (194)	6.25 (159)	6.25 (159)	1
	8 x 8 (203 x 203)	7.45 (189)	7.45 (189)	9.62 (244)	9.62 (244)	8.25 (210)	8.25 (210)	1
	8 x 12 (203 x 305)	11.45 (291)	7.45 (189)	9.62 (244)	13.62 (346)	8.25 (210)	12.25 (311)	1
	10 x 10 (254 x 254)	9.45 (240)	9.45 (240)	11.62 (295)	11.62 (295)	10.25 (260)	10.25 (260)	1
	12 x 12 (305 x 305)	11.45 (291)	11.45 (291)	13.62 (346)	13.62 (346)	12.25 (311)	12.25 (311)	1
	12 x 16 (305 x 406)	15.45 (393)	11.45 (291)	13.62 (346)	17.62 (448)	12.25 (311)	16.25 (413)	2
	12 x 18 (305 x 457)	17.45 (443)	11.45 (291)	13.62 (346)	19.62 (498)	12.25 (311)	18.25 (464)	2
	12 x 24 (305 x 610)	23.45 (596)	11.45 (291)	13.62 (346)	25.62 (651)	12.25 (311)	24.25 (616)	2
	14 x 14 (356 x 356)	13.45 (342)	13.45 (342)	15.62 (397)	15.62 (397)	14.25 (362)	14.25 (362)	1
	16 x 16 (406 x 406)	15.45 (393)	15.45 (393)	17.62 (448)	17.62 (448)	16.25 (413)	16.25 (413)	2



STANDARD FEATURES: SLOTTED SCREW CAM LATCH, CARBON STEEL, PRIME COAT BAKED ENAMEL FINISH

OPTIONS:

- LOCK TYPE**
- CYLINDER LOCK AND KEY
 - ALLEN HEAD CAM LATCH
 - SPANNER HEAD CAM LATCH
 - OTHER

- MATERIAL**
- STAINLESS STEEL
 - OTHER

- FINISH**
- #4 SATIN POLISH
 - OTHER

JOB NAME:
 CUSTOMER:

APPROVED BY:
 DATE:

Location: CWD



MI-GARD®

FLOOR DRAIN TRAP SEAL

Specification: MIFAB® MI-GARD® Series inline floor drain trap seal with UV resistant ABS plastic frame, silicon rubber sealing flapper and four flexible sealing ribs. Tested and certified to the ASSE 1072 Standard and listed with IAPMO and I.P.C. Specify connection size (1 1/2", 2", 3", 3 1/2", 4" or 6"). 10 year warranty is included.

Function: Used in the outlet connections of floor drain bodies, or the inside of floor drain strainers to seal the opening to prevent odors, sewer gases, and insects from entering up through the floor drain grate. The MI-GARD®'s four flexible silicone sealing ribs ensure easy installation into openings that have variations in size. The MI-GARD® will open to allow drainage and close when there is no water flow.



MODEL NO.	"A" (PIPE SIZE)	"B" (HEIGHT)
<input type="radio"/> MI-GARD-1.5	1-1/2" (38)	2" (51)
<input checked="" type="radio"/> MI-GARD-2	2" (51)	2" (51)
<input type="radio"/> MI-GARD-3	3" (76)	2" (51)
<input type="radio"/> MI-GARD-3.5	3 1/2" (89)	2" (51)
<input type="radio"/> MI-GARD-4	4" (102)	2" (51)
<input type="radio"/> MI-GARD-6	6" (152)	2" (51)

MI-GARD® prevents the following from entering through the top of floor drains:

- Odors and sewer gases
- Insects

Not intended to be used in lieu of a trap seal primer. 6" MI-GARD not IAPMO certified. Note:

The MI-GARD-6 is designed in accordance with industry standards but is not listed. MI-GARD

Floor Drain Trap Seals are in compliance with International Plumbing Code (I.P.C.)



MI-GARD-1.5

CALIFORNIA PROPOSITION 65 WARNING. This product contains chemicals known to the State of California to cause cancer and birth defects or other reproductive harm.

Job Name: HNTB Page No: _____

Section No: _____ Contractor: Comfort Systems USA

Schedule No: _____ Purchase Order No: _____



AIR ADMITTANCE VALVES TECHNICAL SPECIFICATION

Job Name _____	Item # _____
Location _____	
Engineer _____	Contractor _____
PO # _____	Tag _____
Representative _____	

SPECIFICATIONS

The purpose of an Air Admittance Valve is to provide a method of allowing air to enter the plumbing drainage system without the use of a vent extended to open air and to prevent sewer gases from escaping into a building. An Air Admittance Valve is a one way valve designed to allow air to enter the plumbing drainage system when negative pressures develop in the piping system. The device shall close by gravity and seal the vent terminal at zero differential pressure (no flow conditions) and under positive internal pressures.

APPROVALS & LISTINGS

ASSE 1050 & 1051

ICC ESR-1664

NSF Standard 14

IAPMO – Classified Mark

ASTM D 2665/D 2661

International Plumbing Code (IPC) 2003

International Residential Code (IRC) 2003



FEATURES & MATERIALS

Tension Membrane	Silicone
Sweet Spot™	Sweet Spot™ technology opens at -0.01 psi and seals at 0 psi and above
Screening	Screening on air inlets to guard the seal
Grip	Protective sleeve provides grip for installation and keeps valve free from debris
Tested	100% functionally tested at 1/4" H ₂ O and 30" H ₂ O ensuring trouble free performance
Warranty	Limited Warranty



INSTALLATION

Read installation instructions prior to use of this product. Always consult local plumbing codes prior to installing an AAV. Individual, branch and circuit vents are permitted to terminate with a connection to a Sure-Vent® AAV. The Sure-Vent® AAV will only vent fixtures that are on the same floor and connect to a horizontal branch drain. The horizontal branch drain shall connect to the drainage stack a maximum of four branch intervals from the top of the stack. The Sure-Vent® AAV should be located within the maximum developed length permitted for the vent. The Sure-Vent® AAV must be located a minimum of 4 inches above the horizontal branch drain and 6 inches above any insulation material and within 15 degrees of vertical. Every structure in which plumbing is installed shall have at least one primary stack vent. The stack vent should run as directly as possible from the building drain through the open air.

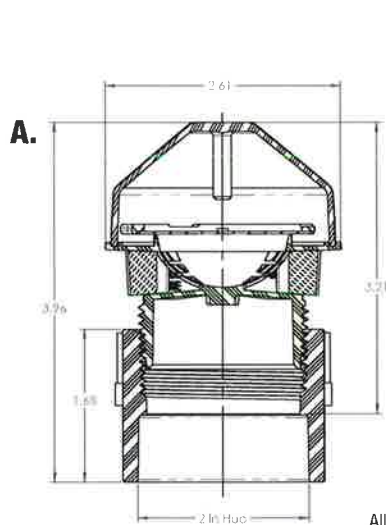
Apply approved pipe joint compound or thread seal tape to the male threads of the valve. Remove protective sleeve after installation.

Access BIM/Revit content through www.oatey.com

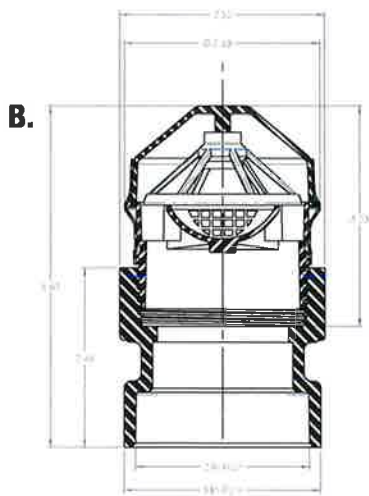
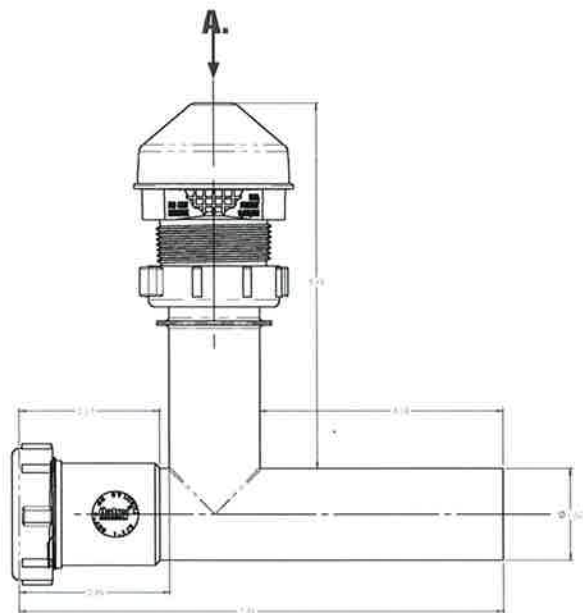


AIR ADMITTANCE VALVES TECHNICAL SPECIFICATION

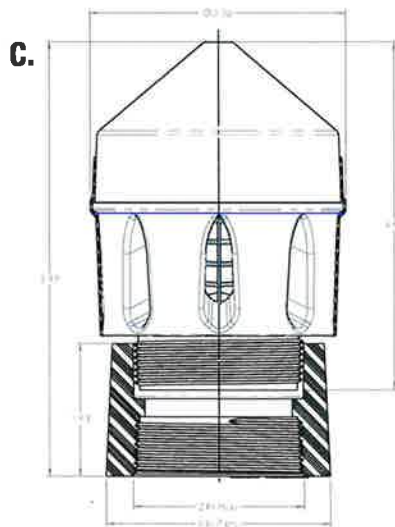
DFU Rating	Connection	Membrane	Adapter
A 20 Branch, 8 Stack	1.5" PVC NPT Threads	Silicone	1.5" PVC
B 160 Branch, 24 Stack	2" PVC NPT Threads	Silicone	1.5" x 2" PVC or ABS
C 160 Branch, 72 Stack	2" PVC NPT Threads	Silicone	2" x 3" PVC or ABS
D 160 Branch, 500 Stack	3" PVC NPT Threads	Silicone	3" x 4" PVC or ABS



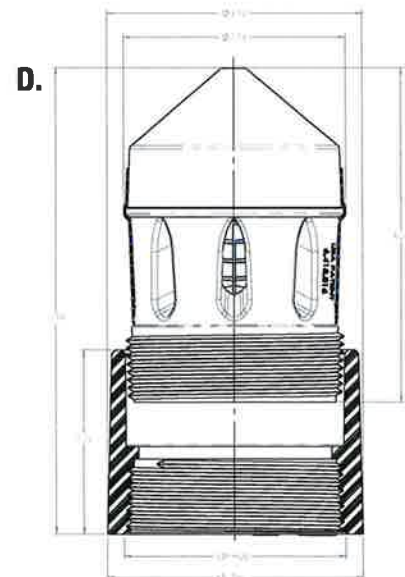
All dimensions in inches



All dimensions in inches



All dimensions in inches



All dimensions in inches

Access BIM/Revit content through www.oatey.com



AIR ADMITTANCE VALVES TECHNICAL SPECIFICATION

PRODUCT SELECTOR

160 BRANCH, 24 STACK DFU SURE-VENT AIR ADMITTANCE VALVE WITH SCHEDULE 40 ADAPTER

✓ Product Number	Description	Pack
39016	160 BRANCH, 24 STACK DFU SURE-VENT, 1.5 X 2 IN PVC SCHED 40 ADAPTER	6
39018	160 BRANCH, 24 STACK DFU SURE-VENT, 1.5 X 2 IN ABS SCHED 40 ADAPTER	6
39017	160 BRANCH, 24 STACK DFU SURE-VENT, 1.5 X 2 IN PVC SCHED 40 ADAPTER	50
39019	160 BRANCH, 24 STACK DFU SURE-VENT, 1.5 X 2 IN ABS SCHED 40 ADAPTER	50
39238	160 BRANCH, 24 STACK DFU SURE-VENT, 1.5 IN W/MECHANICAL ADAPTER	12
39018C	160 BRANCH, 24 STACK DFU SURE-VENT, 1.5-2 IN ABS CANADA	6

160 BRANCH, 72 STACK DFU SURE-VENT AIR ADMITTANCE VALVE WITH SCHEDULE 40 ADAPTER

✓ Product Number	Description	Pack
39220	160 BRANCH, 72 STACK DFU SURE-VENT, 2 X 3 IN PVC SCHED 40 ADAPTER	6
39221	160 BRANCH, 72 STACK DFU SURE-VENT, 2 X 3 IN ABS SCHED 40 ADAPTER	6

160 BRANCH, 500 STACK DFU SURE-VENT AIR ADMITTANCE VALVE WITH SCHEDULE 40 ADAPTER

✓ Product Number	Description	Pack
39223	160 BRANCH, 500 STACK DFU SURE-VENT, 3 X 4 IN PVC SCHED 40 ADAPTER	6
39224	160 BRANCH, 500 STACK DFU SURE-VENT, 3 X 4 IN ABS SCHED 40 ADAPTER	6

Data is subject to manufacturing tolerances.

Access BIM/Revit content through www.oatey.com

CO

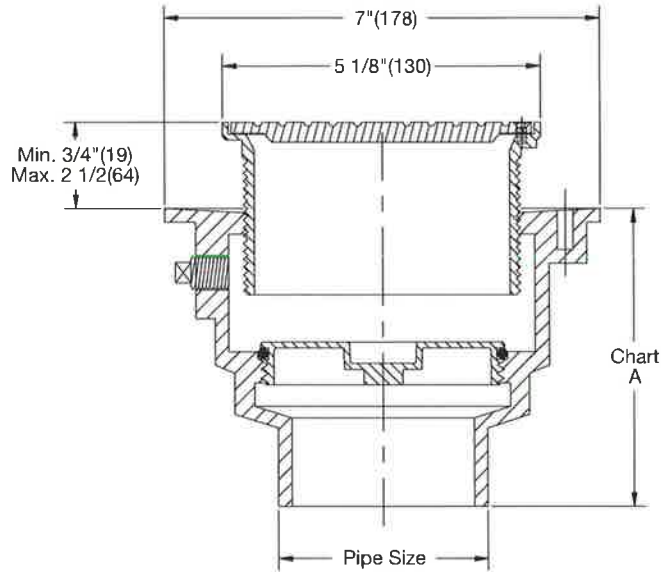
Engineering Specification

Job Name HNTB
 Job Location LR
 Engineer Pettit and Pettit
 Approval _____
 Tag CO

Contractor Comfort Systems USA
 Approval _____
 Contractor's P.O. No. _____
 Representative Sanders Supply

CO-200-R Floor Cleanout with Round Top Specification

Watts CO-200-R epoxy coated cast iron floor cleanout with 5"(127) round adjustable gasketed nickel bronze top, removable gas tight gasketed brass cleanout plug, and no hub (standard) outlet.



Pipe Sizing (Select One)		
Suffix	Description	
2	2"(51) Pipe Size	<input type="checkbox"/>
3	3"(76) Pipe Size	<input type="checkbox"/>
4	4"(102) Pipe Size	<input type="checkbox"/>

Outlet Type (Select One)		
Suffix	Description	
NH	No Hub (MJ)	<input type="checkbox"/>
P	Push On	<input checked="" type="checkbox"/>
X	Inside Caulk	<input type="checkbox"/>

Options (Select One)		
Suffix	Description	
-C	Membrane Clamp	<input type="checkbox"/>
-6	Vandal Proof	<input type="checkbox"/>
-13	Galvanized Body	<input type="checkbox"/>
-CF	Carpet Clamping Flange	<input type="checkbox"/>
-SO	Side Outlet	<input type="checkbox"/>

Optional Body Material (NH Only)			Load Rating
Suffix	Description		
-60	PVC Body w/Poly Plug	<input type="checkbox"/>	MD
-61	ABS Body w/Poly Plug	<input type="checkbox"/>	

Chart A

Pipe Size	NH	Push-On	PVC/ABS
2"(51)	4 3/4"(121)	5 1/2"(140)	4"(102)
3"(76)	4 3/4"(121)	5 1/2"(140)	4"(102)
4"(102)	4 3/4"(121)	5 1/2"(140)	4"(102)

NOTICE

The load classifications are in accordance with the American National Standards ASME A112.36.2M-91(R2012) ASME Ratings are as follows:
 MD - Safe Live Load 2000-4999 lbs. (900-2250 kg)
 The above categories are given as a guide only.
 Please consult factory.

NOTICE

The information contained herein is not intended to replace the full product installation and safety information available or the experience of a trained product installer. You are required to thoroughly read all installation instructions and product safety information before beginning the installation of this product.

Watts product specifications in U.S. customary units and metric are approximate and are provided for reference only. For precise measurements, please contact Watts Technical Service. Watts reserves the right to change or modify product design, construction, specifications, or materials without prior notice and without incurring any obligation to make such changes and modifications on Watts products previously or subsequently sold.



USA: T: (800) 338-2581 • F: (828) 248-3929 • Watts.com
 Canada: T: (888) 208-8927 • F: (905) 481-2316 • Watts.ca
 Latin America: T: (52) 55-4122-0138 • Watts.com