

*Quality People. Building Solutions.*

Comfort Systems USA (Arkansas), Inc.  
P.O. Box 16620  
Little Rock, AR 72231  
Phone 501-834-3320  
Fax 501-834-5416

**Date:** 10/3/2023

**Return Request:** 10/13/2023

**Project:** Regions HNTB

**Supplier:** Sanders Supply

**Manufacturer:** Chronomite

**Submittal:** Plumbing Equipment

**Submittal Number:** 22 00 00-02

**Drawing # and Installation:** Plumbing Drawings

**ARCHITECT**

DLR Group  
2525 McKinnon St. Suite 800  
Dallas, TX 75067  
214-747-2511

**ENGINEER**

Pettit & Pettit  
201 East Markham, Suite 400  
Little Rock, AR 72201  
501-374-3731

**GENERAL CONTRACTOR**

Baldwin & Shell  
1000 W. Capitol Ave.  
Little Rock, AR 72201  
501-374-8677

**MECHANICAL SUBCONTRACTOR**

Comfort Systems USA (Arkansas), Inc.  
9924 Landers Rd.  
N. Little Rock, AR 72117  
501-834-3320

Notes:

**CSUSA PROJECT NO.**

**23-2014**

[chowell@comfortar.com](mailto:chowell@comfortar.com)

**WH-1,WH-2**



**ELECTRIC TANKLESS WATER HEATER - POINT OF USE**

**INSTANT-FLOW® SR - LOW FLOW**

**IDEAL APPLICATION:** *hospitality sink, manual hand washing faucet*

**PRODUCT FEATURES**

- Unlimited hot water
- Saves water and energy - 99% energy efficient
- Vandal resistant rugged cast aluminum housing
- Space saving compact size:  
6-1/4" (H) x 9-5/8" x 2-3/4"  
(159 (H) x 244 x 70mm)
- Meets applicable building codes including ADA, UL, IAPMO, UPC, CSA.
- Environmentally friendly

Chronomite Instant-Flow® SR - Low Flow models are manufactured to provide reliable point-of-use hot water. There is no pressure and temperature relief valve needed (unless required by code), saving time and money on installation.

**Housing** is fabricated from rugged cast aluminum alloy.

**Element assembly** is fabricated from Celcon plastic.

**Heating coils** are nichrome.

**Faucet flow controls** are supplied with each unit. 3/8" compression fittings are supplied (standard). Optional 1/2" male NPT water connections available.



Instant-Flow® SR - Low Flow

**GUIDE SPECIFICATION**

Tankless Water Heater shall be a Chronomite Laboratories Model

SR - 15 AMPS / L / 277 VOLTS                 OPTIONS

with            Amps and            Volts

To heat 0.4 GPM (1.5 LPM) at a temperature rise of

           °F

Unit shall be provided with Celcon waterways, and Nichrome heating coils.

**OPTIONS**

- PA 765 ABS Housing (P)
- Satin Finish Stainless Steel Housing (SS)
- High Polish Finish Stainless Steel (SSP)
- Pressure & Temp Relief Valve Assembly (TP)
- 1/2" Male NPT (NPT08)
- Disconnect Switch, Rotary 40A - Lockable Nema 4X (2095-1)

For the model being selected, please place the corresponding amps, volts and temperature rise values in the Guide Specifications to the right.

MODEL	AMPS	VOLTS	WATTS	ACTIVATION GPM	°F TEMPERATURE RISE @		
					0.40 GPM	0.75 GPM	1.00 GPM
SR-15L/120	15	120	1800	0.35	31	--	--
<b>SR-15L/277</b>	15	277	4150	0.35	71	38	28
SR-20L/120	20	120	2400	0.35	41	22	--
SR-20L/208	20	208	4160	0.35	71	38	28
SR-20L/240	20	240	4800	0.35	82	44	33
SR-20L/277	20	277	5540	0.35	95	50	38
SR-30L/120	30	120	3600	0.35	61	33	25

Complies with Standards for:

LISTED TO: UL STD 499  
CERTIFIED TO: CAN/CSA STD C22.2 NO. 88



Intertek 5001365  
CALGreen

**CHRONOMITE LABORATORIES, INC.**  
17451 Hurley St. :: City of Industry, CA 91744  
Phone 800-447-4962 :: 626-937-4270  
Fax 626-937-4279 :: www.chronomite.com

MEMBER OF





**ELECTRIC TANKLESS WATER HEATER - POINT OF USE**

**INSTANT-FLOW® SR - LOW FLOW**

**INSTANT-FLOW® SR - LOW FLOW METRIC CHART**

MODEL	AMPS/PHASE	1 Ø VOLTAGE	WATTS	ACTIVATION LPM	°C TEMPERATURE RISE @		
					1.50 LPM	3.00 LPM	4.00 LPM
SR-15L/120	15	120	1800	1.3	17	--	--
<b>SR-15L/277</b>	15	277	4150	1.3	40	20	15
SR-20L/120	20	120	2400	1.3	23	11	--
SR-20L/208	20	208	4160	1.3	40	20	15
SR-20L/240	20	240	4800	1.3	46	23	17
SR-20L/277	20	277	5540	1.3	53	27	20
SR-30L/120	30	120	3600	1.3	34	17	13

**TECHNICAL DIMENSIONS**

**INSTANT-FLOW® SR - LOW FLOW**

Dimensions: 159 (H) x 244 x 70mm

Weight: 2.27 Kg

Materials: Rugged cast aluminum housing  
Celcon plastic element assembly with nichrome coils

Housing Color: White

Minimum Operating Flow Rate: 1.3 LPM

Minimum Operating Pressure: 172 kPa

Maximum Operating Pressure: 552 kPa

Maximum Pressure: 1034 kPa

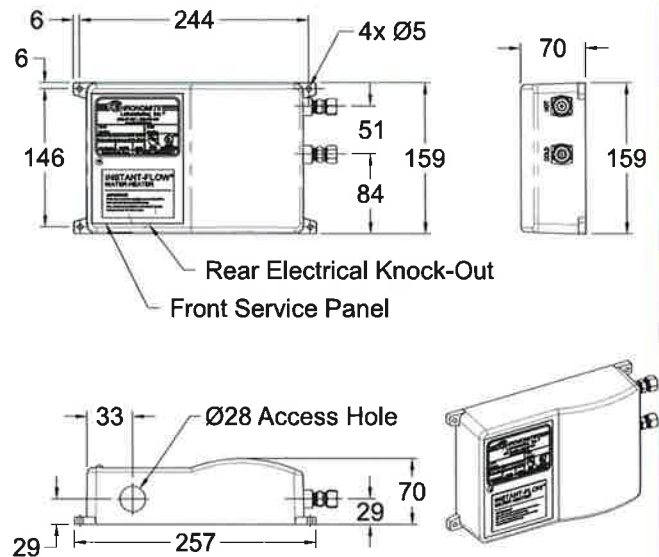
Maximum Water Temperature: 71°C

Maximum Ambient Operating Temperature: 60°C

Listing: UL, IAPMO, UPC, ADA, ETL

**GENERAL NOTES:**

- 240V models when operated at 220V will have approximately a 15% temperature decrease.
- 120V models when operated 110V will have approximately a 15% temperature decrease.



Chronomite Laboratories assumes no responsibility for use of void or suspended data. © Copyright Chronomite Laboratories, Inc. Member of Morris Group International, City of Industry, CA Please visit [www.chronomite.com](http://www.chronomite.com) for most current specifications.

**SELECTION SUMMARY & APPROVAL FOR MANUFACTURING**

Company \_\_\_\_\_

Model Number & Options \_\_\_\_\_ Quantity \_\_\_\_\_

Contact \_\_\_\_\_ Title \_\_\_\_\_

Signature (Approval for Manufacturing) \_\_\_\_\_ Date \_\_\_\_\_

**CHRONOMITE**  
LABORATORIES, INC.

PH. 800-447-4962

626-937-4270

FAX 626-937-4279

[www.chronomite.com](http://www.chronomite.com)



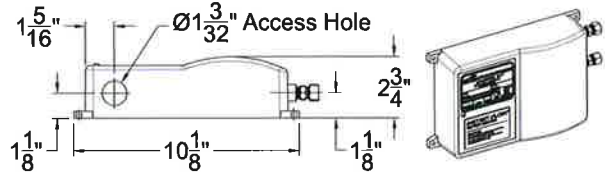
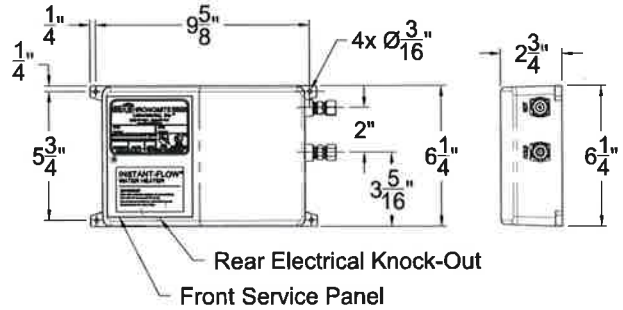
**ELECTRIC TANKLESS WATER HEATER - POINT OF USE**

**INSTANT-FLOW® SR - LOW FLOW**

**TECHNICAL DIMENSIONS**

**INSTANT-FLOW® SR - LOW FLOW**

Dimensions:	6-1/4" (H) x 9-5/8" x 2-3/4"
Weight:	5 lbs.
Materials:	Rugged cast aluminum housing Celcon plastic element assembly with nichrome coils
Housing Color:	White
Minimum Operating Flow Rate:	0.35 GPM
Minimum Operating Pressure:	25 PSI
Maximum Operating Pressure:	80 PSI
Maximum Pressure:	150 PSI
Maximum Water Temperature:	160°F
Maximum Ambient Operating Temperature:	140°F
Listing:	UL, IAPMO, UPC, ADA, ETL



**GENERAL NOTES:**

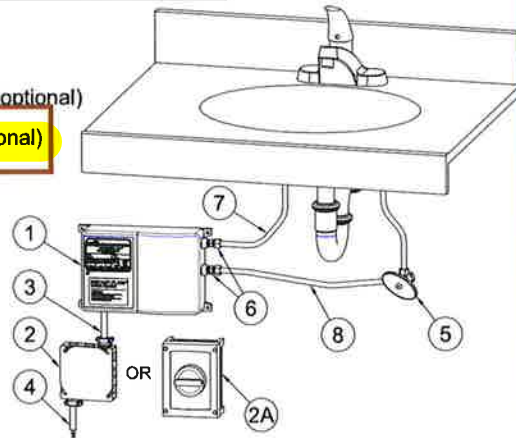
- ✦ 240V models when operated at 220V will have approximately a 15% temperature decrease.
- ✦ 120V models when operated 110V will have approximately a 15% temperature decrease.

**INSTALLATION DIAGRAM**

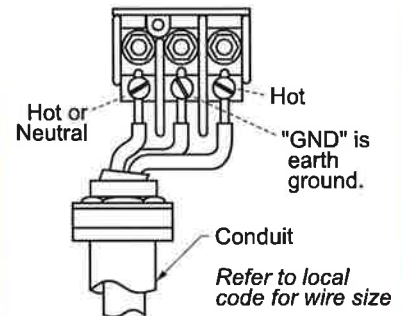
**Notes:**

- Heater to be installed below the level of all hot water outlets serviced by the heater.
- Diagram shown with standard 3/8" Compression Fitting. Optional 1/2" Male NPT water connections available.

- Instant-Flow SR-L Heater
- Electrical Junction Supply Box (optional)
- 2A 2095-1 Disconnect Switch (optional)**
- Electrical Supply Conduit
- Electrical Supply Wire
- Dual outlet Stop, 3/8" Comp. Outlet Connections
- 3/8" Comp. x 1/4" NPT Fittings (supplied)
- 3/8" Hot Water Outlet
- 3/8" Cold Water Inlet



**WIRING CONNECTION**



**ATTENTION:**  
Unit must be hard wired.  
NOTE: Heaters are single phase.  
All tests are measured at the output of the heater.

Chronomite Laboratories assumes no responsibility for use of void or suspended data. © Copyright Chronomite Laboratories, Inc. Member of Morris Group International, City of Industry, CA Please visit [www.chronomite.com](http://www.chronomite.com) for most current specifications.

SELECTION SUMMARY & APPROVAL FOR MANUFACTURING

Company \_\_\_\_\_

Model Number & Options \_\_\_\_\_ Quantity \_\_\_\_\_

Contact \_\_\_\_\_ Title \_\_\_\_\_

Signature (Approval for Manufacturing) \_\_\_\_\_ Date \_\_\_\_\_

**CHRONOMITE**  
LABORATORIES, INC.

PH. 800-447-4962  
626-937-4270  
FAX 626-937-4279  
[www.chronomite.com](http://www.chronomite.com)