

Quality People. Building Solutions.

Comfort Systems USA (Arkansas), Inc.
P.O. Box 16620
Little Rock, AR 72231
Phone 501-834-3320
Fax 501-834-5416

Date: 10/3/2023

Return Request: 10/13/2023

Project: Regions HNTB

Supplier: Sanders Supply

Manufacturer: Various

Submittal: Plumbing Fixtures

Submittal Number: 22 00 00-01

Drawing # and Installation: Plumbing Drawings

ARCHITECT

DLR Group
2525 McKinnon St. Suite 800
Dallas, TX 75067
214-747-2511

ENGINEER

Pettit & Pettit
201 East Markham, Suite 400
Little Rock, AR 72201
501-374-3731

GENERAL CONTRACTOR

Baldwin & Shell
1000 W. Capitol Ave.
Little Rock, AR 72201
501-374-8677

MECHANICAL SUBCONTRACTOR

Comfort Systems USA (Arkansas), Inc.
9924 Landers Rd.
N. Little Rock, AR 72117
501-834-3320

Notes:

CSUSA PROJECT NO.

23-2014

chowell@comfortar.com

S-1

PRODUCT SPECIFICATIONS

Dayton Stainless Steel 33" x 22" x 6-9/16" Equal Double Bowl Drop-in Sink. Sink is manufactured from 22 gauge 300 series Stainless Steel with a Satin finish, Center drain placement, and Bottom only pads.

Installation Type:	Drop-in
Material:	300 series Stainless Steel
Finish:	Satin
Gauge:	22
Sound Deadening:	Bottom only pads
Number of Bowls:	2
Sink Dimensions:	33" x 22" x 6-9/16"
Bowl 1 Dimensions:	14" x 15-3/4" x 6-3/8"
Bowl 2 Dimensions:	14" x 15-3/4" x 6-3/8"
Drain Size:	3-1/2" (89mm)
Drain Location:	Center
Minimum Cabinet Size:	36"
Mounting Hardware:	Part # 64090012 included for countertops up to 3/4" (19mm) thick
Template Included:	No
Cutout Template #:	1000001189

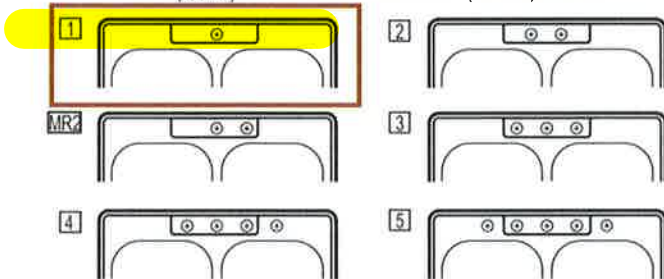
Template is available for download at elkay.com. CAD software will be required to open the template.

Cutout Dimensions for Drop-in Installation:

32-3/8" x 21-3/8" (822mm x 543mm) with 1-1/2" (38mm) corner radius

Hole Drilling Configurations:

1-1/2" (38mm) Diameter Faucet Holes on 4" (102mm) Centers



A Century of Tradition and Quality.

For more than 100 years, Elkay has been making innovative products and providing exceptional customer care. We take pride in offering plumbing products that make life easier, inspire change and leave the world a better place.



Product Compliance: ADA & ICC A117.1
ASME A112.19.3/CSA B45.4



Sinks are listed by IAPMO® as meeting the applicable requirements of the Uniform Plumbing Code®, International Plumbing Code®, and National Plumbing Code of Canada.



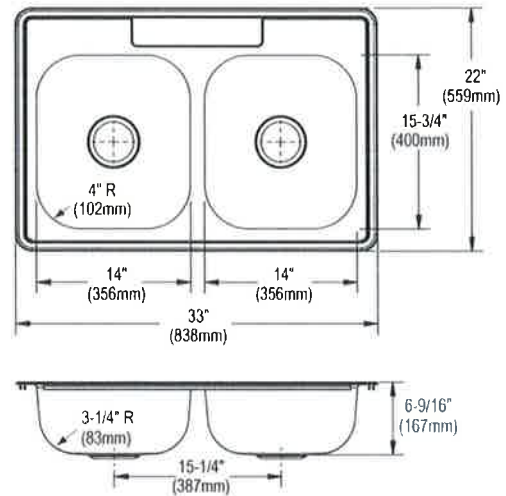
Complies with ADA & ICC A117.1 accessibility requirements when installed according to the requirements outlined in these standards.

[Clean and Care Manual \(PDF\)](#)

[Installation Instructions \(PDF\) - 1000005236](#)

[Warranty \(PDF\)](#)

Similar models are available with: master pack quantities



PART: _____ QTY: _____
 PROJECT: _____
 CONTACT: _____
 DATE: _____
 NOTES: _____
 APPROVAL: _____

In keeping with our policy of continuing product improvement, Elkay reserves the right to change product specifications without notice. Please visit elkay.com for the most current version of Elkay product specification sheets. This specification describes an Elkay product with design, quality, and functional benefits to the user. When making a comparison of other producers' offerings, be certain these features are not overlooked.

PRODUCT SPECIFICATIONS

Elkay Avado Single Hole Kitchen Faucet with Pull-down Spray and Forward Only Lever Handle. Faucet has a flow rate of 1.8 GPM, and is made of Brass material, with a Ceramic Disc valve. Faucet requires 1 faucet holes.

Mounting Type:	Deck Mount
Special Features:	Solid Brass Construction
Spray Type:	Pull Down
Finish:	Black Stainless (BK), Chrome (CR), Lustrous Steel (LS), Matte Black (MB)
Handle Type:	Forward Only Lever Handle
Deck Clearance:	8-1/8"
Spout Reach:	9-1/8"
Spout Height:	15-11/16"
Hole Drillings:	1
Material:	Brass
Valve Type:	Ceramic Disc
Valve Connection:	3/8" Female Compression Hose Assembly
Flow Rate:	1.8 GPM
Faucet Hole Size (min):	1-1/2"
Countertop Thickness:	3
Spout Swing Rotation:	360°
Spout Type:	Pull-down Spray
Spray Functions:	Aerated, Nylon Hand Spray Hose, Spray



Included with Product: Optional Deck Plate/Escutcheon included

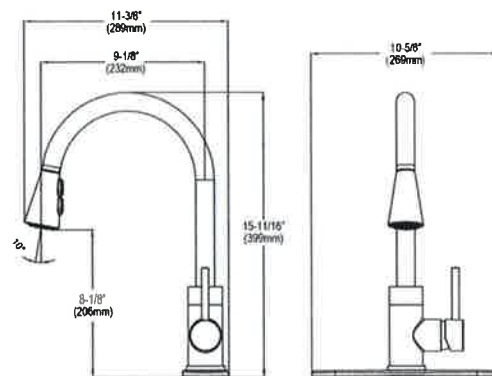
A Century of Tradition and Quality. For more than 100 years, Elkay has been making innovative products and providing exceptional customer care. We take pride in offering plumbing products that make life easier, inspire change and leave the world a better place.

Product Compliance: ADA & ICC A117.1
ASME A112.18.1/CSA B125.1
CEC
NSF 372 (lead free)
NSF 61



Complies with ADA & ICC A117.1 accessibility requirements when installed according to the requirements outlined in these standards.

[Clean and Care Manual \(PDF\)](#)
[Installation Instructions \(PDF\) - LKAV3031 - Install Sheet](#)
[Warranty \(PDF\)](#)



PART: _____ QTY: _____

PROJECT: _____

CONTACT: _____

DATE: _____

NOTES: _____

APPROVAL: _____

In keeping with our policy of continuing product improvement, Elkay reserves the right to change product specifications without notice. Please visit elkay.com for the most current version of Elkay product specification sheets. This specification describes an Elkay product with design, quality, and functional benefits to the user. When making a comparison of other producers' offerings, be certain these features are not overlooked.



**Dearborn
Brass**

4676 W. 160th St.
Cleveland Ohio 44135
Ph (800) 321-9532
Fax (800) 321-9535
www.dearbornbrass.com

SUBMITTAL SPECIFICATION

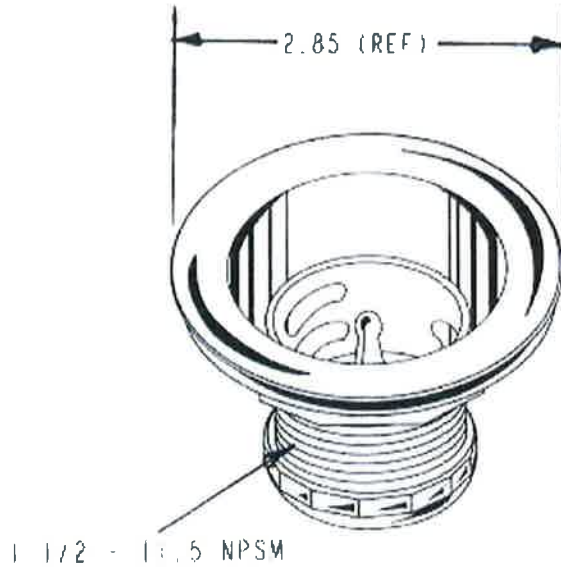
**3784 JUNIOR DUO
BAR SINK STRAINER**

Engineering Specification: Dearborn Brass 3784 Junior Duo Bar Sink Strainer is manufactured of a Stainless Steel body and basket with metal post. This product is ideal for installation in residential 2" bar sinks.

Job Reference

DESCRIPTION

- • 3784 Stainless Steel Bar Sink Strainer Assembly
 - BODY: Chrome-plated Stainless Steel
 - BASKET: Stainless steel with zinc metal post
- Durable stainless steel strainer basket
- Length: 1-7/8"



✓	Product No	Description	Carton Quantity	Carton Weight (lbs)
➤	3784	Junior Duo Bar Sink Strainer	12	4
	3784BN	Junior Duo Bar Sink Strainer with Brass Nuts	12	4
	3784T	Junior Duo Bar Sink Strainer with 4" Chrome Plated Tailpiece	12	5
	4201-5-3	Replacement Basket Strainer for 3784	1	.03

Data is subject to manufacturing tolerances.



McGuire Manufacturing Co., Inc.

60 Grandview Court
 P.O. Box 746 • Cheshire, CT 06410
 203-699-1801 • Fax: 203-699-1813
 www.mcguiremfg.com

Part No.

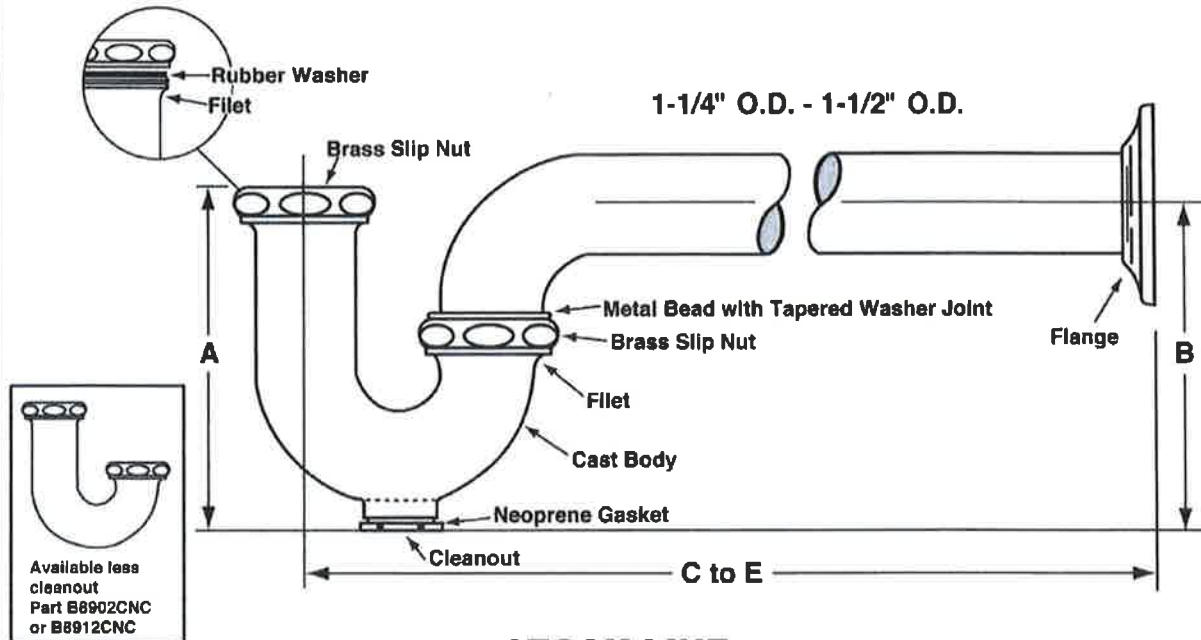
~~B8872, B8902, B8902CNC,~~
B8912, B8912CNC,
~~C8872, C8902, C8912~~

PRODUCT SPECIFICATION

**Cast Body P-Trap
 With or Without Cleanout**

Job Name: _____

Submittal Number: _____



STOCK LINE

ROUGHING MEASUREMENTS					
NO.	TRAP DIMENSIONS		A	B	C to E
	INLET	OUTLET			
B8872	1-1/4"	1-1/4"	5"	4-1/2"	10"
C8872	1-1/4"	1-1/4"	5"	4-1/2"	10"
B8902	1-1/4"	1-1/2"	5"	4-1/2"	10-1/2"
B8902CNC	1-1/4"	1-1/2"	4-5/8"	4-1/8"	10-1/2"
C8902	1-1/4"	1-1/2"	5"	4-1/2"	10-1/2"
B8912	1-1/2"	1-1/2"	5"	4-1/2"	10-1/2"
B8912CNC	1-1/2"	1-1/2"	4-5/8"	4-1/8"	10-1/2"
C8912	1-1/2"	1-1/2"	5"	4-1/2"	10-1/2"



**FED SPEC W.W.P. 541
 CAST BRASS P TRAP
 MINIMUM SEAL 2"**

Note: Prefix "C" indicates die cast slip nuts.

See options and accessories section for details on product variations.

Specifications:

P-Trap shall be chrome plated cast brass body (with, without) cleanout, with 17 gauge seamless tubular wall bend, slip nuts. Reducing washers shall be used with reducing cast brass nut. With (shallow, deep, bell) (steel, brass) or (forged brass with set screw) flange. P-Trap shall bear manufacturer and testing mark.



McGuire Manufacturing Co., Inc.
60 Grandview Court
P.O. Box 746 • Cheshire, CT 06410
203-699-1801 • Fax: 203-699-1813
www.mcguiremfg.com

PRODUCT SPECIFICATION

Part No.

Options for
P-Traps

Job Name:

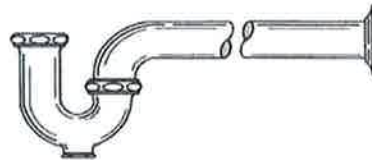
Submittal Number:

CAST BODY P-TRAP OPTIONS

WALL BEND OPTIONS-

Add suffix to part number.

- 15** - 15" C to E (1-1/4" and 1-1/2" only)
- 18** - 18" C to E (1-1/4" and 1-1/2" only)
- GJ** - Ground joint wallbend
Custom sizes available.



FLANGE OPTIONS-

Add suffix to part number.

- F** - Forged Brass, set screw, chrome plated
- ~~**DF** - Deep Flange, (bell type) chrome plated brass~~
- SDF** - Deep Flange, (bell type) chrome plated steel
- B** - Box Flange, chrome plated wrought steel
- BF** - Box Flange, chrome plated brass

STANDARD FINISH OPTIONS-

Add suffix to part number.

- C** - Polished Chrome
- ~~**S** - Satin Chrome~~
- Custom finishes available.

Options available for McGuire "Classic" Professional Line only.



McGuire Manufacturing Co., Inc.

60 Grandview Court
 P.O. Box 746 • Cheshire, CT 06410
 203-699-1801 • Fax: 203-699-1813
 www.mcguiremfg.com

PRODUCT SPECIFICATION

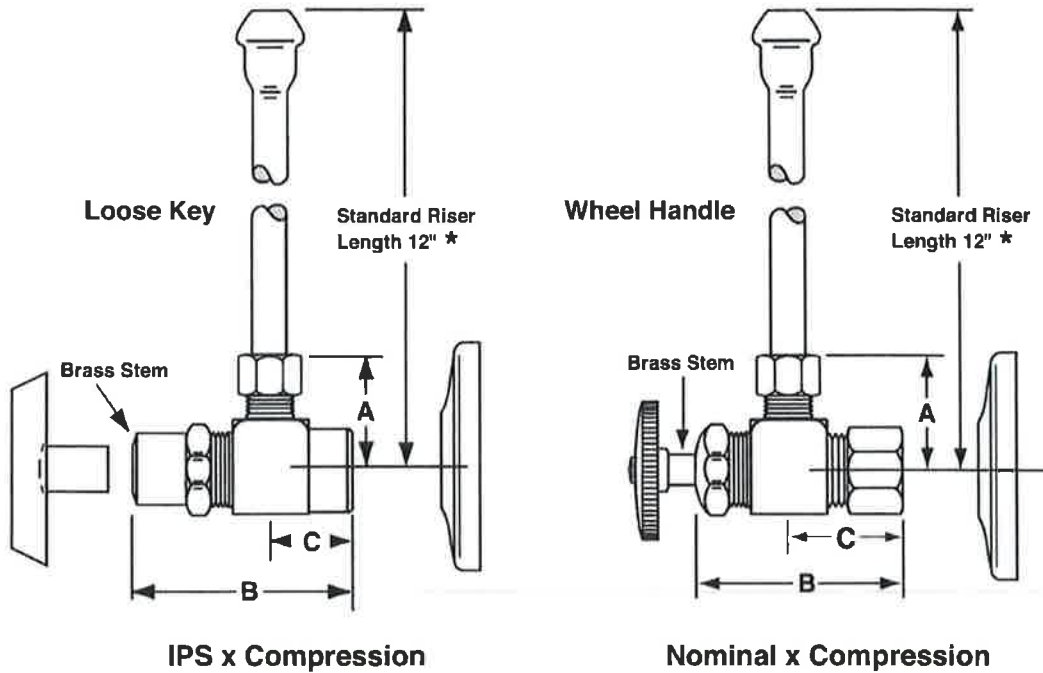
Part No.

LFH2165, **LFH2165LK**
 LFH2167, LFH2167LK,
 LFH2165CC, LFH2165CCLK

**AB1953 Compliant
 Heavy Lavatory Supply**

Job Name:

Submittal Number:



NO.	DESCRIPTION	ROUGHING MEASUREMENTS		
		A	B	C
LFH2165	1/2" IPS x 3/8" OD, Wheel Handle	1-3/8"	1-15/16"	1"
LFH2165LK	1/2" IPS x 3/8" OD, Loose Key	1-3/8"	2-5/8"	1"
LFH2167	1/2" IPS x 1/2" OD, Wheel Handle	1-3/8"	1-15/16"	1"
LFH2167LK	1/2" IPS x 1/2" OD, Loose Key	1-3/8"	2-5/8"	1"
LFH2165CC	1/2" Nominal x 3/8" OD, Wheel Handle	1-3/8"	2-1/4"	1-3/8"
LFH2165CCLK	1/2" Nominal x 3/8" OD, Loose Key	1-3/8"	2-15/16"	1-3/8"

LK designates *Loose Key*

* See options and accessories section for details on product variations.



Specifications:

Supply kit shall include heavy pattern chrome plated AB1953 compliant supply stop valves with full turn brass stem, no plastic, (12, 15, 20) inch chrome plated risers and (shallow, deep, bell) (steel, brass) or (forged brass with set screw) flange. Inlet shall be 1/2 inch (IPS, compression). Outlet shall be (3/8, 1/2) inch compression. Supply kit shall be McGuire _____ . Supply shall be AB1953 certified by recognized authority and bear manufacturer and testing mark.



McGuire Manufacturing Co., Inc.

60 Grandview Court
 Cheshire, Connecticut 06410
 (203) 699-1801 Fax (203) 699-1813
 customerservice@mcguiremfg.com mcguiremfg.com

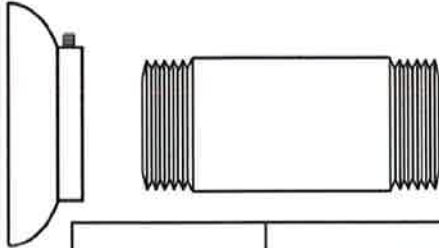
PRODUCT SPECIFICATION

Part No.

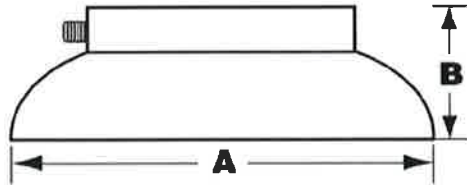
**All Cast Brass
 Nipples and
 Set Screw Flanges**

Job Name: _____

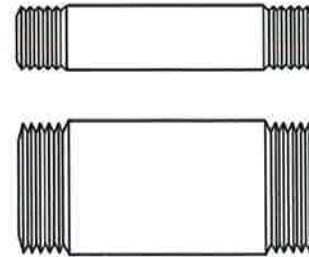
Submittal Number: _____



NO.	SIZE
1127	1-1/4" x 6"
2127	1-1/2" x 6"
3127	2" x 6"



NO.	SIZE	A	B
127038	3/8" I.P.S.	2.39"	.73"
127050	1/2" I.P.S.	2.25"	.7"
127058	5/8" O.D. (1/2" Copper)	2.39"	.73"
127069	11/16" O.D.	2.39"	.73"
127075	3/4" I.P.S.	2.25"	.7"
127078	7/8" O.D. (3/4" Copper)	2.25"	.7"
127100	1" I.P.S.	2.75"	.9"
1271251	1-1/4" I.P.S.	2.765"	.95"
1271250	1-1/4" O.D.	2.95"	1"
1271501	1-1/2" I.P.S.	2.95"	.9"
1271500	1-1/2" O.D.	2.95"	1"
1271580	1-5/8" O.D. (1-1/2" Copper)	2.8"	.9"
1271720	1-23/32" O.D.	Discontinued	
1272001	2" I.P.S.	3.675"	.9"
1272000	2" O.D.	3.3"	.95"



NO.	SIZE
N038015	3/8" x 1-1/2"
N038020	3/8" x 2"
N038030	3/8" x 3"
N038035	3/8" x 3-1/2"
N038040	3/8" x 4"
N038045	3/8" x 4-1/2"
N038050	3/8" x 5"
N038055	3/8" x 5-1/2"
N038060	3/8" x 6"
N038065	3/8" x 6-1/2"
N038100	3/8" x 10"
N038120	3/8" x 12"
N038150	3/8" x 15"
N038200	3/8" x 20"
N038240	3/8" x 24"
N050030	1/2" x 3"
N050040	1/2" x 4"
N050050	1/2" x 5"
N050055	1/2" x 5-1/2"
N050060	1/2" x 6"
N050080	1/2" x 8"
N125060	1-1/4" x 6"
N150060	1-1/2" x 6"
N200060	2" x 6"

Specifications:

All Cast Brass Nipples and Set Screw Flanges for use with P-Traps, supplies and shower arms. Highly polished and heavy chrome plated.



WARNING:

This product can expose you to chemicals including lead, which is known to the State of California to cause cancer, and birth defects or other reproductive harm. For more information go to www.P65Warnings.ca.gov

S-2

PRODUCT SPECIFICATIONS

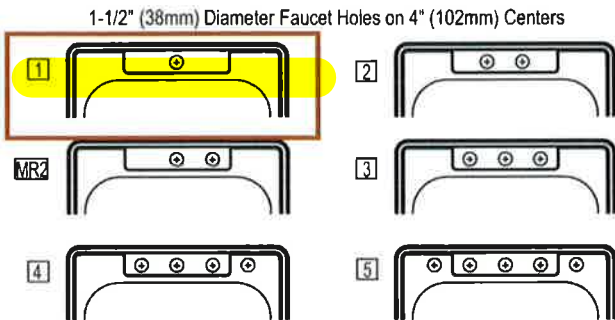
Dayton Stainless Steel 25" x 21-1/4" x 6-9/16" Single Bowl Drop-in Sink. Sink is manufactured from 22 gauge 300 series Stainless Steel with a Satin finish, Center drain placement, and Bottom only pads.

Installation Type:	Drop-in
Material:	300 series Stainless Steel
Finish:	Satin
Gauge:	22
Sound Deadening:	Bottom only pads
Number of Bowls:	1
Sink Dimensions:	25" x 21-1/4" x 6-9/16"
Bowl 1 Dimensions:	21" x 15-3/4" x 6-3/8"
Drain Size:	3-1/2" (89mm)
Drain Location:	Center
Minimum Cabinet Size:	30"
Mounting Hardware:	Part # 64090012 included for countertops up to 3/4" (19mm) thick
Template Included:	No
Cutout Template #:	1000001245

Template is available for download at elkay.com. CAD software will be required to open the template.

Cutout Dimensions for Drop-in Installation:
24-3/8" x 20-5/8" (619mm x 524mm) with 1-1/2" (38mm) corner radius

Hole Drilling Configurations:



A Century of Tradition and Quality. For more than 100 years, Elkay has been making innovative products and providing exceptional customer care. We take pride in offering plumbing products that make life easier, inspire change and leave the world a better place.



Product Compliance: ADA & ICC A117.1
ASME A112.19.3/CSA B45.4



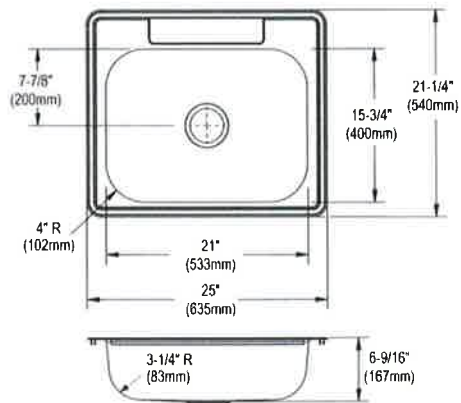
Sinks are listed by IAPMO® as meeting the applicable requirements of the Uniform Plumbing Code®, International Plumbing Code®, and National Plumbing Code of Canada.



Complies with ADA & ICC A117.1 accessibility requirements when installed according to the requirements outlined in these standards.

[Clean and Care Manual \(PDF\)](#)
[Installation Instructions \(PDF\) - 1000005236](#)
[Warranty \(PDF\)](#)

Similar models are available with: ADA Depths



PART: _____ QTY: _____
 PROJECT: _____
 CONTACT: _____
 DATE: _____
 NOTES: _____
 APPROVAL: _____

In keeping with our policy of continuing product improvement, Elkay reserves the right to change product specifications without notice. Please visit elkay.com for the most current version of Elkay product specification sheets. This specification describes an Elkay product with design, quality, and functional benefits to the user. When making a comparison of other producers' offerings, be certain these features are not overlooked.

PRODUCT SPECIFICATIONS

Elkay Avado Single Hole Bar Faucet with Lever Handle. Faucet has a flow rate of 1.8 GPM, and is made of Brass material, with a Ceramic Disc valve. Faucet requires 1 faucet holes.

Mounting Type:	Deck Mount
Special Features:	Solid Brass Construction
Spray Type:	Standard
Finish:	Black Stainless (BK), Chrome (CR), Lustrous Steel (LS), Matte Black (MB)
Handle Type:	Lever Handle
Deck Clearance:	8-1/4"
Spout Reach:	6-1/2"
Spout Height:	12-3/16"
Hole Drillings:	1
Material:	Brass
Valve Type:	Ceramic Disc
Valve Connection:	3/8" Female Compression Hose Assembly
Flow Rate:	1.8 GPM
Faucet Hole Size (min):	1-1/2"
Countertop Thickness:	3
Spout Swing Rotation:	360°
Spout Type:	Gooseneck



Included with Product: Optional Deck Plate/Escutcheon included

A Century of Tradition and Quality. For more than 100 years, Elkay has been making innovative products and providing exceptional customer care. We take pride in offering plumbing products that make life easier, inspire change and leave the world a better place.

Product Compliance: ADA & ICC A117.1
ASME A112.18.1/CSA B125.1
CEC
NSF 372 (lead free)
NSF 61

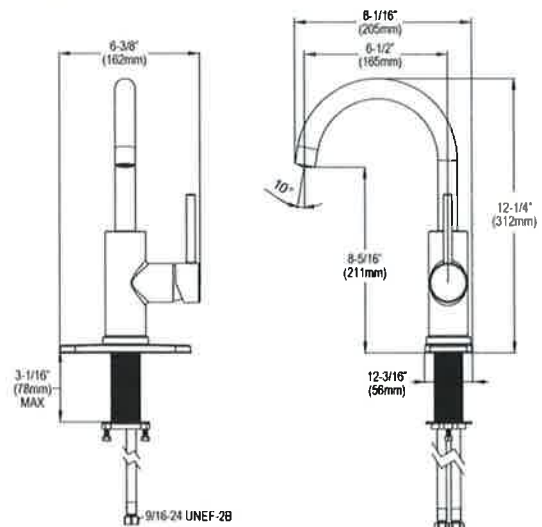


Complies with ADA & ICC A117.1 accessibility requirements when installed according to the requirements outlined in these standards.

[Clean and Care Manual \(PDF\)](#)

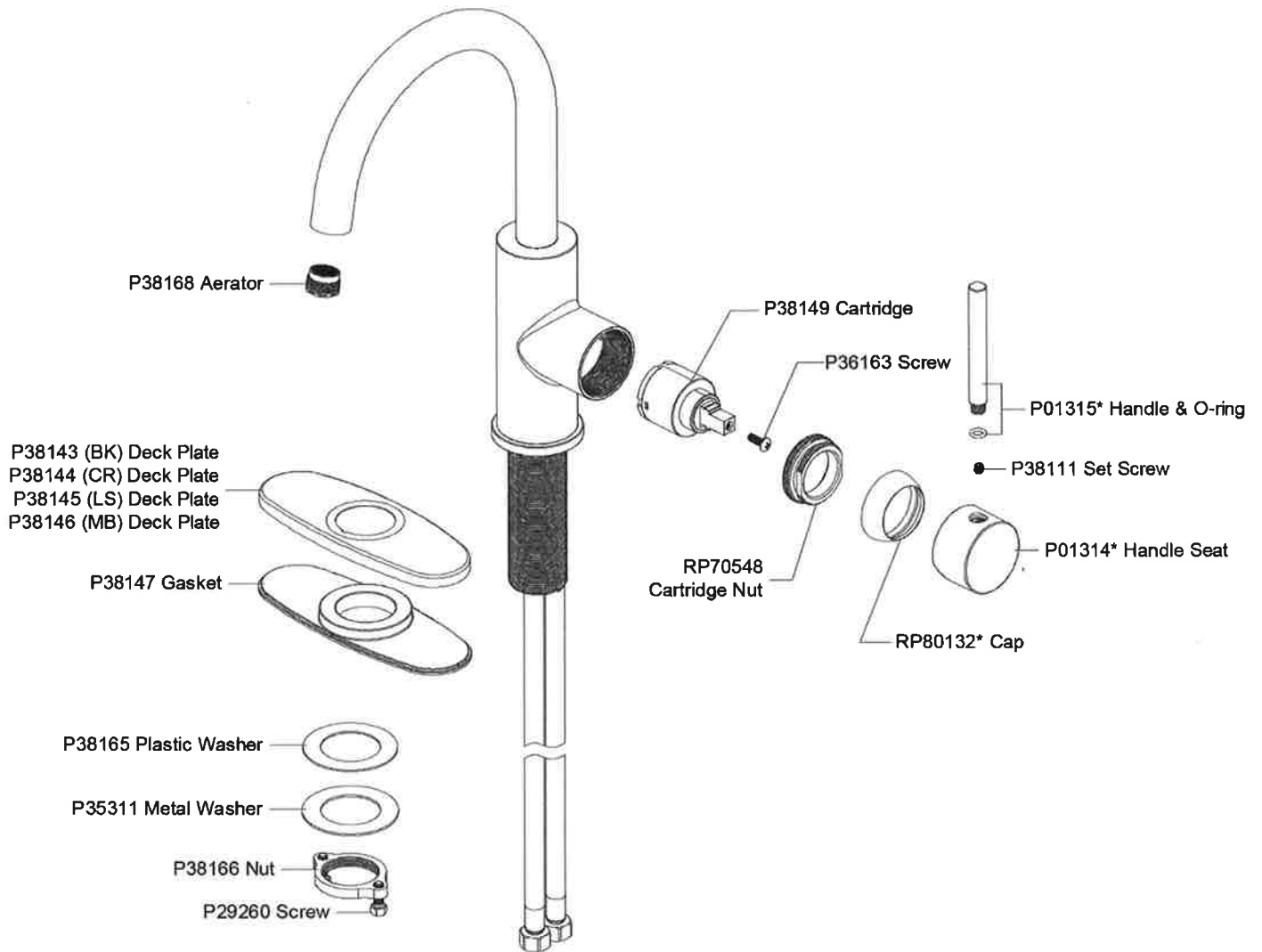
[Installation Instructions \(PDF\) - LKAV3021 - Install Sheet](#)

[Warranty \(PDF\)](#)



PART: _____ QTY: _____
 PROJECT: _____
 CONTACT: _____
 DATE: _____
 NOTES: _____
 APPROVAL: _____

In keeping with our policy of continuing product improvement, Elkay reserves the right to change product specifications without notice. Please visit elkay.com for the most current version of Elkay product specification sheets. This specification describes an Elkay product with design, quality, and functional benefits to the user. When making a comparison of other producers' offerings, be certain these features are not overlooked.



In keeping with our policy of continuing product improvement, Elkay reserves the right to change product specifications without notice. Please visit elkay.com for the most current version of Elkay product specification sheets. This specification describes an Elkay product with design, quality, and functional benefits to the user. When making a comparison of other producers' offerings, be certain these features are not overlooked.



**Dearborn[®]
Brass**

4675 W. 160th St.
Cleveland Ohio 44135
Ph (800) 321-9532
Fax (800) 321-9535
www.dearbornbrass.com

SUBMITTAL SPECIFICATION

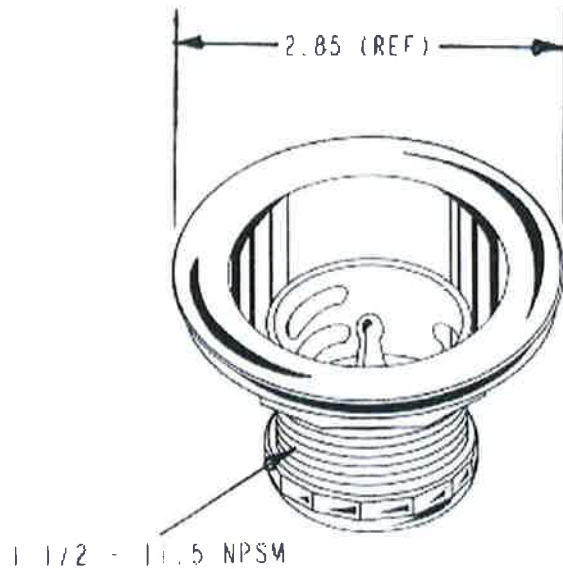
**3784 JUNIOR DUO
BAR SINK STRAINER**

Engineering Specification: Dearborn Brass 3784 Junior Duo Bar Sink Strainer is manufactured of a Stainless Steel body and basket with metal post. This product is ideal for installation in residential 2" bar sinks.

Job Reference

DESCRIPTION

- • 3784 Stainless Steel Bar Sink Strainer Assembly
 - BODY: Chrome-plated Stainless Steel
 - BASKET: Stainless steel with zinc metal post
- Durable stainless steel strainer basket
- Length: 1-1/2"



✓	Product No	Description	Carton Quantity	Carton Weight (lbs)
➤	3784	Junior Duo Bar Sink Strainer	12	4
	3784BN	Junior Duo Bar Sink Strainer with Brass Nuts	12	4
	3784T	Junior Duo Bar Sink Strainer with 4" Chrome Plated Tailpiece	12	5
	4201-5-3	Replacement Basket Strainer for 3784	1	.03

Data is subject to manufacturing tolerances.



McGuire Manufacturing Co., Inc.

60 Grandview Court
 P.O. Box 746 • Cheshire, CT 06410
 203-699-1801 • Fax: 203-699-1813
 www.mcguiremfg.com

Part No.

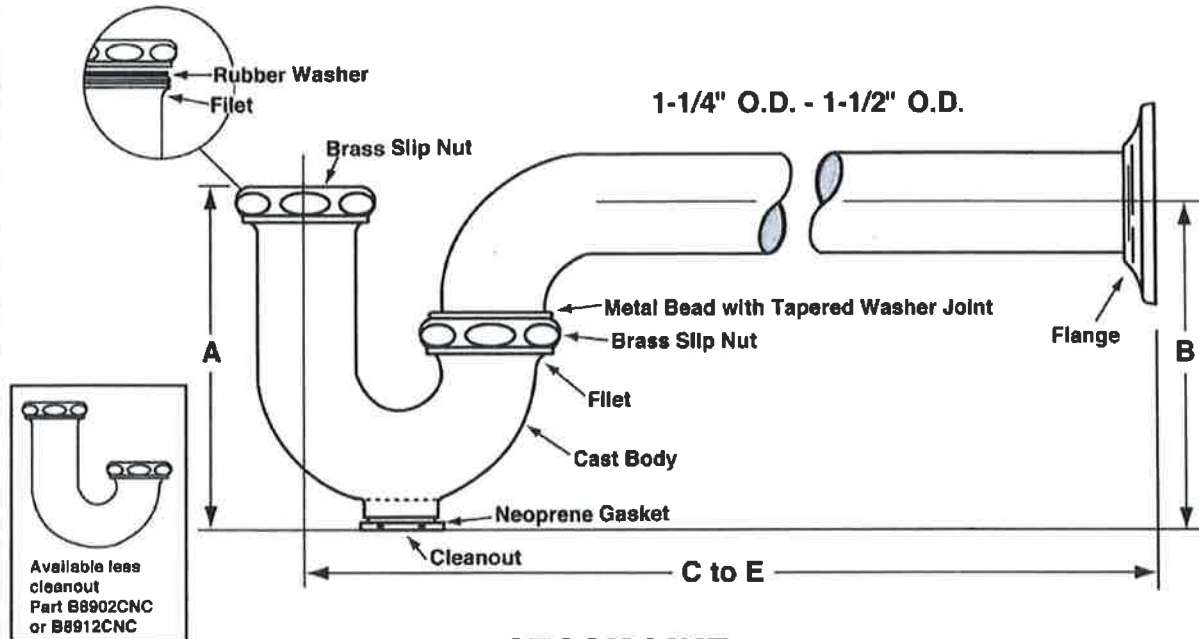
B8872, B8902, B8902CNC,
B8912, B8912CNC,
 C8872, C8902, C8912

PRODUCT SPECIFICATION

**Cast Body P-Trap
 With or Without Cleanout**

Job Name: _____

Submittal Number: _____



Available less
 cleanout
 Part B8902CNC
 or B8912CNC

STOCK LINE

ROUGHING MEASUREMENTS					
NO.	TRAP DIMENSIONS		A	B	C to E
	INLET	OUTLET			
B8872	1-1/4"	1-1/4"	5"	4-1/2"	10"
C8872	1-1/4"	1-1/4"	5"	4-1/2"	10"
B8902	1-1/4"	1-1/2"	5"	4-1/2"	10-1/2"
B8902CNC	1-1/4"	1-1/2"	4-5/8"	4-1/8"	10-1/2"
C8902	1-1/4"	1-1/2"	5"	4-1/2"	10-1/2"
B8912	1-1/2"	1-1/2"	5"	4-1/2"	10-1/2"
B8912CNC	1-1/2"	1-1/2"	4-5/8"	4-1/8"	10-1/2"
C8912	1-1/2"	1-1/2"	5"	4-1/2"	10-1/2"



**FED SPEC W.W.P. 541
 CAST BRASS P TRAP
 MINIMUM SEAL 2"**

Note: Prefix "C" indicates die cast slip nuts.

See options and accessories section for details on product variations.

Specifications:

P-Trap shall be chrome plated cast brass body (with, without) cleanout, with 17 gauge seamless tubular wall bend, slip nuts. Reducing washers shall be used with reducing cast brass nut. With (shallow, deep, bell) (steel, brass) or (forged brass with set screw) flange. P-Trap shall bear manufacturer and testing mark.



McGuire Manufacturing Co., Inc.
60 Grandview Court
P.O. Box 746 • Cheshire, CT 06410
203-699-1801 • Fax: 203-699-1813
www.mcguiremfg.com

PRODUCT SPECIFICATION

Part No.

Options for
P-Traps

Job Name:

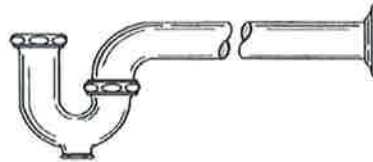
Submittal Number:

CAST BODY P-TRAP OPTIONS

WALL BEND OPTIONS-

Add suffix to part number.

- 15** - 15" C to E (1-1/4" and 1-1/2" only)
- 18** - 18" C to E (1-1/4" and 1-1/2" only)
- GJ** - Ground joint wallbend
Custom sizes available.



FLANGE OPTIONS-

Add suffix to part number.

- F** - Forged Brass, set screw, chrome plated
- ~~**DF** - Deep Flange, (bell type) chrome plated brass~~
- SDF** - Deep Flange, (bell type) chrome plated steel
- B** - Box Flange, chrome plated wrought steel
- BF** - Box Flange, chrome plated brass

STANDARD FINISH OPTIONS-

Add suffix to part number.

- C** - Polished Chrome
 - S** - Satin Chrome
- Custom finishes available.

Options available for McGuire "Classic" Professional Line only.



McGuire Manufacturing Co., Inc.

60 Grandview Court
 P.O. Box 746 • Cheshire, CT 06410
 203-699-1801 • Fax: 203-699-1813
 www.mcguiremfg.com

PRODUCT SPECIFICATION

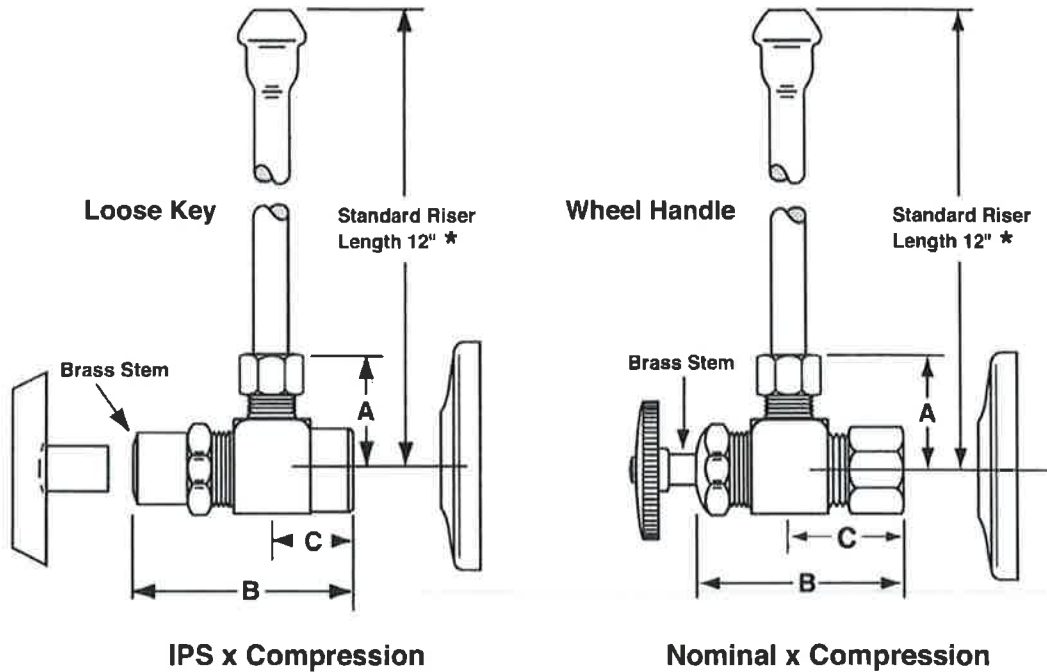
Part No.

LFH2165, **LFH2165LK**
 LFH2167, LFH2167LK,
 LFH2165CC, LFH2165CCLK

**AB1953 Compliant
 Heavy Lavatory Supply**

Job Name: _____

Submittal Number: _____



NO.	DESCRIPTION	ROUGHING MEASUREMENTS		
		A	B	C
LFH2165	1/2" IPS x 3/8" OD, Wheel Handle	1-3/8"	1-15/16"	1"
LFH2165LK	1/2" IPS x 3/8" OD, Loose Key	1-3/8"	2-5/8"	1"
LFH2167	1/2" IPS x 1/2" OD, Wheel Handle	1-3/8"	1-15/16"	1"
LFH2167LK	1/2" IPS x 1/2" OD, Loose Key	1-3/8"	2-5/8"	1"
LFH2165CC	1/2" Nominal x 3/8" OD, Wheel Handle	1-3/8"	2-1/4"	1-3/8"
LFH2165CCLK	1/2" Nominal x 3/8" OD, Loose Key	1-3/8"	2-15/16"	1-3/8"

LK designates *Loose Key*

* See options and accessories section for details on product variations.



Specifications:

Supply kit shall include heavy pattern chrome plated AB1953 compliant supply stop valves with full turn brass stem, no plastic, (12, 15, 20) inch chrome plated risers and (shallow, deep, bell) (steel, brass) or (forged brass with set screw) flange. Inlet shall be 1/2 inch (IPS, compression). Outlet shall be (3/8, 1/2) inch compression. Supply kit shall be McGuire _____ . Supply shall be AB1953 certified by recognized authority and bear manufacturer and testing mark.

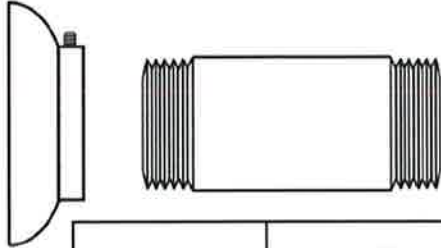


McGuire Manufacturing Co., Inc.
 60 Grandview Court
 Cheshire, Connecticut 06410
 (203) 699-1801 Fax (203) 699-1813
 customerservice@mcguiremfg.com mcguiremfg.com
PRODUCT SPECIFICATION

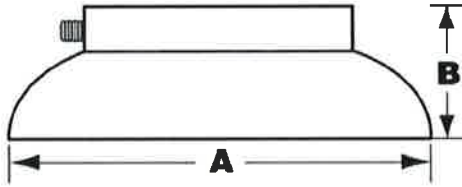
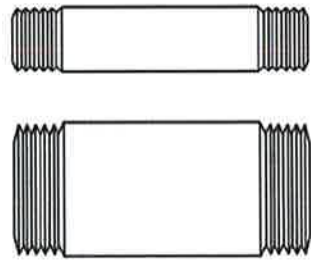
Part No.
**All Cast Brass
 Nipples and
 Set Screw Flanges**

Job Name: _____

Submittal Number: _____



NO.	SIZE
1127	1-1/4" x 6"
2127	1-1/2" x 6"
3127	2" x 6"



NO.	SIZE	A	B
127038	3/8" I.P.S.	2.39"	.73"
127050	1/2" I.P.S.	2.25"	.7"
127058	5/8" O.D. (1/2" Copper)	2.39"	.73"
127069	11/16" O.D.	2.39"	.73"
127075	3/4" I.P.S.	2.25"	.7"
127078	7/8" O.D. (3/4" Copper)	2.25"	.7"
127100	1" I.P.S.	2.75"	.9"
1271251	1-1/4" I.P.S.	2.765"	.95"
1271250	1-1/4" O.D.	2.95"	1"
1271501	1-1/2" I.P.S.	2.95"	.9"
1271500	1-1/2" O.D.	2.95"	1"
1271580	1-5/8" O.D. (1-1/2" Copper)	2.8"	.9"
1271720	1-23/32" O.D.	Discontinued	
1272001	2" I.P.S.	3.675"	.9"
1272000	2" O.D.	3.3"	.95"

NO.	SIZE
N038015	3/8" x 1-1/2"
N038020	3/8" x 2"
N038030	3/8" x 3"
N038035	3/8" x 3-1/2"
N038040	3/8" x 4"
N038045	3/8" x 4-1/2"
N038050	3/8" x 5"
N038055	3/8" x 5-1/2"
N038060	3/8" x 6"
N038065	3/8" x 6-1/2"
N038100	3/8" x 10"
N038120	3/8" x 12"
N038150	3/8" x 15"
N038200	3/8" x 20"
N038240	3/8" x 24"
N050030	1/2" x 3"
N050040	1/2" x 4"
N050050	1/2" x 5"
N050055	1/2" x 5-1/2"
N050060	1/2" x 6"
N050080	1/2" x 8"
N125060	1-1/4" x 6"
N150060	1-1/2" x 6"
N200060	2" x 6"

Specifications:

All Cast Brass Nipples and Set Screw Flanges for use with P-Traps, supplies and shower arms. Highly polished and heavy chrome plated.

WARNING:

This product can expose you to chemicals including lead, which is known to the State of California to cause cancer, and birth defects or other reproductive harm. For more information go to www.P65Warnings.ca.gov