

Quality People. Building Solutions.

Comfort Systems USA (Arkansas), Inc.
P.O. Box 16620
Little Rock, AR 72231
Phone 501-834-3320
Fax 501-834-5416

Date: 7/12/2023
Return Request: 7/22/2023
Project: LRSD – Rockefeller Early Childhood
Supplier: Falk
Manufacturer: Various
Submittal: Plumbing Fixtures
Submittal Number: 22 40 00-01
Drawing # and Installation: Plumbing Drawings

ARCHITECT

WDD Architects
5050 Northshore Lane
N. Little Rock, AR 72118
501-376-6681

ENGINEER

Insight Engineering
201 S. Chester St.
Little Rock, AR 72201
501-237-3077

GENERAL CONTRACTOR


Kinco Constructors
12600 Lawson Rd. #2711
Little Rock, AR 72210
501-225-7606

MECHANICAL SUBCONTRACTOR

Comfort Systems USA (Arkansas), Inc.
9924 Landers Rd.
N. Little Rock, AR 72117
501-834-3320

Notes:

chowell@comfortar.com

 KINCO CONSTRUCTORS
LITTLE ROCK, ARKANSAS

JOB NAME: LRSD ROCKEFELLER

JOB #: 23.1004

SUBMITTAL #: 22 40 00-1

VENDOR: COMFORT SYSTEMS

SPEC SECTION: 22 40 00

BY: ANDREW MCCARTY **DATE:** 7/18/23

COMMENTS: _____

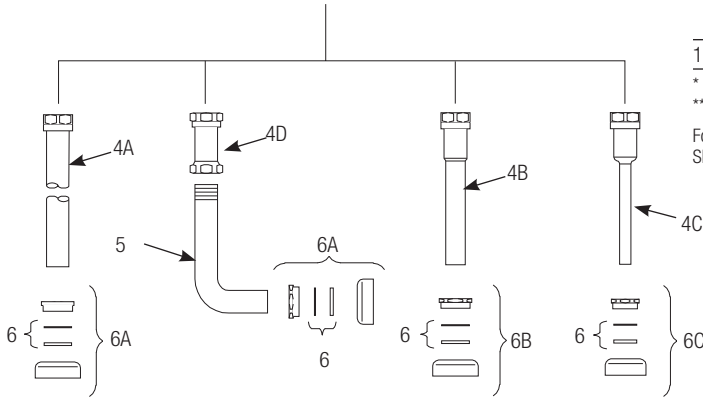
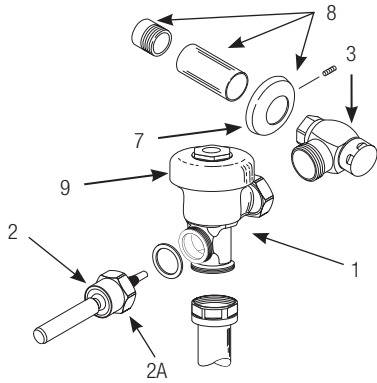
Kinco's review indicates that general conformity to the contract drawings, specifications and addenda to the best of our technical knowledge has been met by the vendor. This review does not in any way relieve the vendor of its obligation to perform or supply their product in strict accordance with the aforementioned contract documents. This submittal is certified to be in conformance with contract documents unless noted of herein.

LRSD ROCKEFELLER
EARLY CHILDHOOD

PLUMBING OPERATION
& MAINTENANCE

FLUSH VALVES

Sloan® Flushometer



PARTS LIST

Item No.	Code No.	Part No.	Description
1.	—	A-3-A	Valve Assembly – contact Tech Support for proper assembly
2.	0302390	B-73-A	ADA Compliant Handle Assembly
2A.	0301082	A-6	CP Handle Coupling
3.	—	H-710-A	Bak-Chek® Control Stop – 3/4" or 1"
4A.	5323007	V-500-AA	1-1/2" (38 mm) x 9" (229 mm) Vacuum Breaker Assembly ** – 6 per package
4B.	5323006	V-500-AA	1-1/4" (32 mm) x 9" (229 mm) Vacuum Breaker Assembly – 6 per package
4C.	5323005	V-500-AA	3/4" (19 mm) x 9" (229 mm) Vacuum Breaker Assembly – 6 per package
4D.	—	V-500-A	Vacuum Breaker Assembly
5.	0396293	F-109	1-1/2" (38 mm) Elbow Flush Connection
6.	SEE SLIP JOINT GASKETS AND RINGS TABLE BELOW		
6A.	0306145	F-56-A	1-1/2" (38 mm) Spud Coupling Assembly
6B.	0306142	F-55-A	1-1/4" (32 mm) Spud Coupling Assembly
6C.	0306102	F-54-A	3/4" (19 mm) Spud Coupling Assembly
7.	—	F-7	Supply Flange (Supplied when Valve is not Ordered with Sweat Solder Kit)
8.	3308782	H-633-AA	1" (25 mm) Sweat Solder Kit with Cast Set Screw Flange
	3308788	H-636-AA	3/4" (19 mm) Sweat Solder Kit with Cast Set Screw Flange
9.	0378000PKSV-10		CP Sloan Cover
	0378003PKSV-10-HE		CP High Efficiency Sloan Cover
10.	3388015	H-1015	Flow Control Kit (not Shown)(HEU Only)

* Part number varies with valve model variation; consult factory.

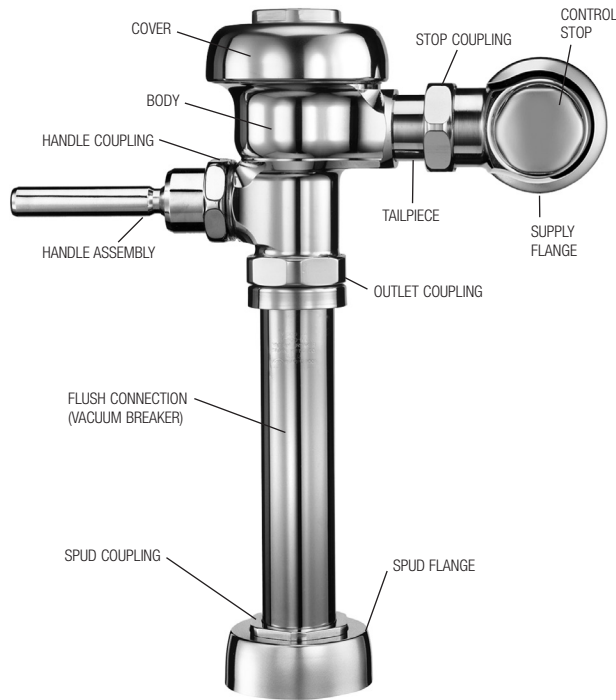
** Length varies with valve model variation; consult factory.

For optimum water conservation and flushometer performance, use only Genuine Sloan Parts.

ITEM 6. SLIP JOINT GASKETS AND RINGS

Size	Code No.	Part No.	Description
1-1/2"	5306058	F-3	Red Friction Ring
	5322001	VBF-5	Black Slip Joint Gasket
	0319086/5319086	S-30	Flexible Seat
	0319079	S-21	Rigid Seat (rubber over brass)
1-1/2" x 1-1/4"	0396062	F-105	Slip Joint Gasket – Rigid
1-1/4"	5306057	F-3	Red Friction Ring
	5322176	VBF-5	Black Slip Joint Gasket
	0307052/5307052	G-21	Rigid Seat (rubber over brass)
1"	5306056	F-3	Red Friction Ring
	5306115	F-5	Black Slip Joint Gasket
3/4"	5306055	F-3	Red Friction Ring
	5306113	F-5	Black Slip Joint Gasket

Sloan® Flushometer



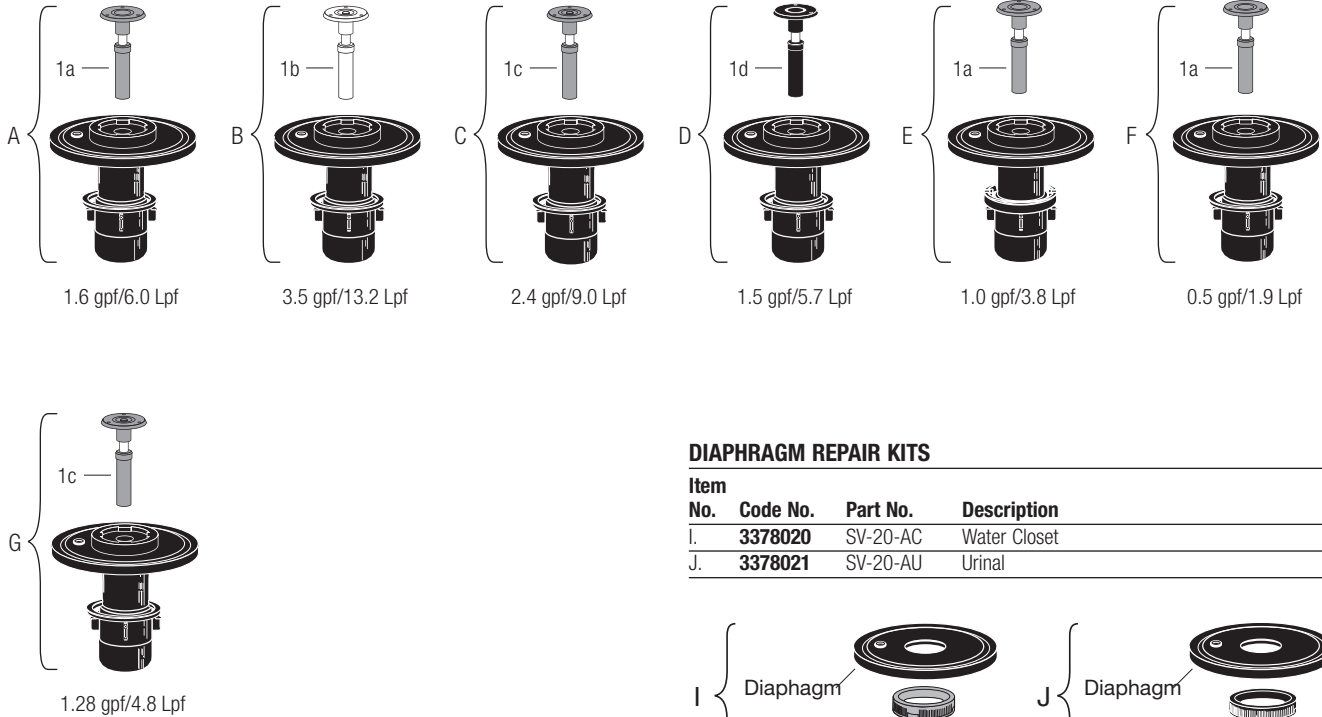
DIAPHRAGM INSIDE PARTS KITS (SEE ILLUSTRATION BELOW)

Refer to Parts List. Includes Relief Valve and Diaphragm Assembly

Item No.	Code No.	Part No.	Application
A.	3378041	SV-41-A	1.6 gpf/6.0 Lpf - Closet
B.	3378038	SV-38-A	3.5 gpf/13.2 Lpf - Closet
C.	3378044	SV-44-A	2.4 gpf/9.0 Lpf - Closet
D.	3378037	SV-37-A	1.5 gpf/5.7 Lpf - Urinal
E.	3378042	SV-42-A	1.0 gpf/3.8 Lpf - Urinal
F.	3378043	SV-43-A	0.5 gpf/1.9 Lpf - Urinal
G.	3378047	SV-47-A	1.28 gpf/4.8 Lpf - Closet

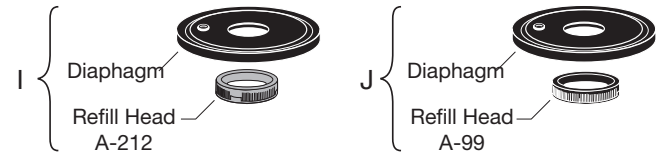
INSIDE COMPONENTS

Item No.	Code No.	Part No.	Description
1a.	5301211	A-19-ALC	Relief Valve, Green (Closet/Urinal-LC) – 12 per package
1b.	5301058	A-19-AC	Relief Valve, White (Closet) – 12 per package
1c.	0301143	A-19-AL	Relief Valve, Blue (9 Liter Closet)
1d.	5301059	A-19-AU	Relief Valve, Black (Urinal) – 12 per package



DIAPHRAGM REPAIR KITS

Item No.	Code No.	Part No.	Description
I.	3378020	SV-20-AC	Water Closet
J.	3378021	SV-20-AU	Urinal



Sloan® Flushometer

TROUBLESHOOTING GUIDE

ATTENTION INSTALLERS: With the exception of the control stop inlet, **DO NOT USE** pipe sealant or plumbing grease on any valve component or coupling! To protect the chrome or special finish of Sloan flushometers, **DO NOT USE** toothed tools to install or service these valves. Use our A-50 Super-Wrench or other smooth-jawed wrench to secure couplings. Regulations for low consumption fixtures (1.6 gpf/6.0 Lpf closets and 1.0 gpf/3.8 Lpf urinals) prohibit use of higher flush volumes.

1. Flushometer DOES NOT function (no flush).

- A. Control stop or main valve is closed. Open control stop or main valve.
- B. Handle assembly is worn. Install handle repair kit or replace handle assembly.
- C. Relief valve is worn. Replace inside parts kit.

2. Insufficient volume of water to adequately siphon fixture.

- A. Control stop not open enough. Adjust control stop for desired delivery of water volume.
- B. Urinal flushometer Parts inside a Closet flushometer. Replace inside urinal parts with proper closet flushometer parts.
- C. Low consumption flushometer installed on a non-low consumption fixture. Replace inside parts kit with water saver kit.
- D. Water saver kit installed in old, non-water saver bowl. Position refill head so that SIDE 1 is in the UP position.
- E. Water supply volume or pressure is inadequate. If no gauges are available to properly measure supply pressure or volume of water at the flushometer, then remove the relief valve from the inside parts kit, reassemble the flushometer and completely open the control stop.
 - If the fixture siphons, more water volume is required. If a 3.5 gpf inside parts kit is installed in the flushometer, then first flip the refill head (under the diaphragm) to obtain a 4.5 gpf volume. If this volume is still inadequate, remove the flow ring from the guide to obtain a 6.5 gpf kit. If additional flow is still required, try a low pressure guide kit. **IMPORTANT: LAWS AND REGULATIONS PROHIBIT THE USE OF HIGHER FLUSHING VOLUMES THAN LISTED ON FIXTURE OR FLUSHOMETER.**
 - If fixture does not siphon or if a Low Consumption fixture is installed, or if the above steps do not prove satisfactory, steps must be taken to increase the water supply pressure and/or volume. Contact the fixture manufacturer for minimum water supply requirements of the fixture.

3. Flushometer closes off immediately.

- A. Ruptured or damaged diaphragm. Replace inside parts kit.
- B. Enlarged bypass orifice from corrosion or damage. Replace inside parts kit.

4. Length of flush is too short (short flushing).

- A. Diaphragm assembly and guide assembly are not hand-tight. Screw the two assemblies hand-tight.
- B. Enlarged bypass orifice from corrosion or damage. Replace inside parts kit.
- C. Urinal flushometer parts inside a closet flushometer. Replace inside urinal parts with proper closet flushometer parts.
- D. Low consumption flushometer installed on a higher consumption fixture. Replace inside parts kit with water saver kit.
- E. Handle assembly is damaged. Replace handle.

5. Length of flush is too long (long flushing) or continuous.

- A. Relief valve is not seating properly or bypass orifice is clogged because of foreign material, or bypass orifice is closed by an invisible gelatinous film from "over-treated" water. Disassemble the working parts and wash thoroughly.

NOTE: SIZE OF ORIFICE IN THE BY-PASS IS EXTREMELY IMPORTANT FOR PROPER METERING OF WATER INTO THE UPPER CHAMBER OF THE FLUSHOMETER. DO NOT ENLARGE OR DAMAGE THIS ORIFICE. REPLACE INSIDE KIT IF CLEANING DOES NOT CORRECT PROBLEM.

- B. Supply line water pressure has dropped and is not sufficient to close the valve. Close control stop until pressure has been restored.
- C. Closet flushometer parts inside an urinal flushometer. Replace Inside closet parts with proper urinal flushometer parts.
- D. Inside cover is damaged. Replace inside cover.

6. Chattering noise is heard during flush.

- A. The segment diaphragm is installed upside-down. Replace the segment diaphragm to the proper position as instructed by markings on the diaphragm.
- B. Inside cover is damaged. Replace inside cover.

7. Handle Leaks.

- A. Handle gasket, seal or assembly is damaged. Replace as required.

CARE AND CLEANING INSTRUCTIONS

DO NOT USE abrasive or chemical cleaners (including chlorine bleach) to clean flushometers that may dull the luster and attack the chrome or special decorative finishes. Use **ONLY** mild soap and water, then wipe dry with a clean towel or cloth.

While cleaning the bathroom tile, protect the flushometer from any splattering of cleaner. Acids and cleaning fluids will discolor or remove chrome plating.

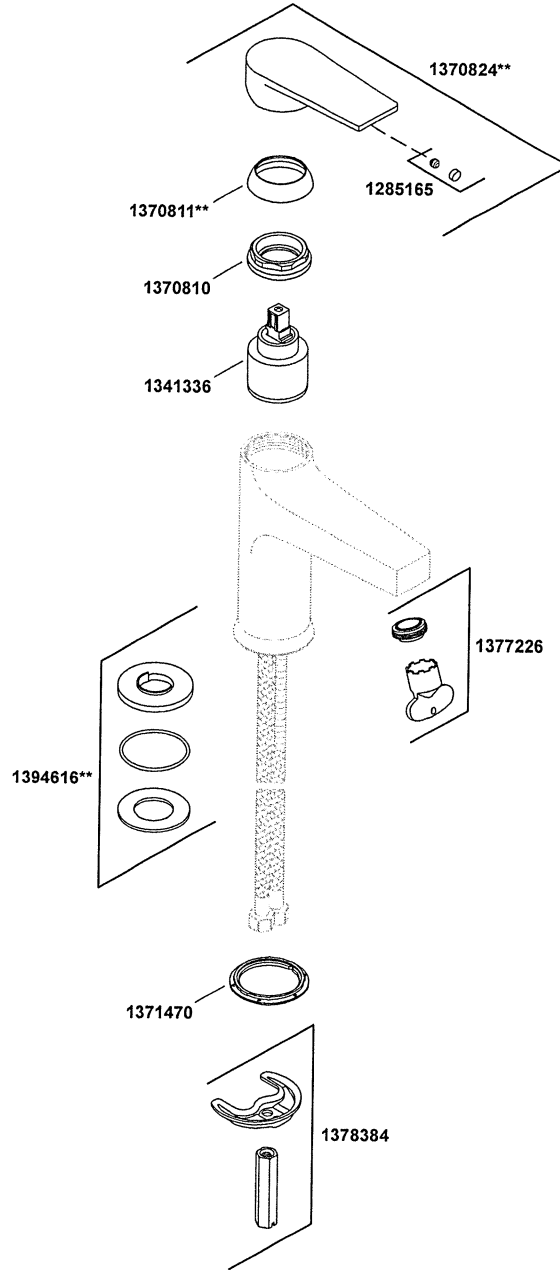
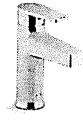
**When assistance is required, please contact
Sloan Technical Support at: 1-888-SLOAN-14 (1-888-756-2614).**

FAUCETS



Taut® Single-hole commercial faucet w

Single-hole commercial faucet with grid drain
K-46029-4

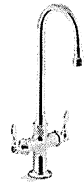


1377224-8-B

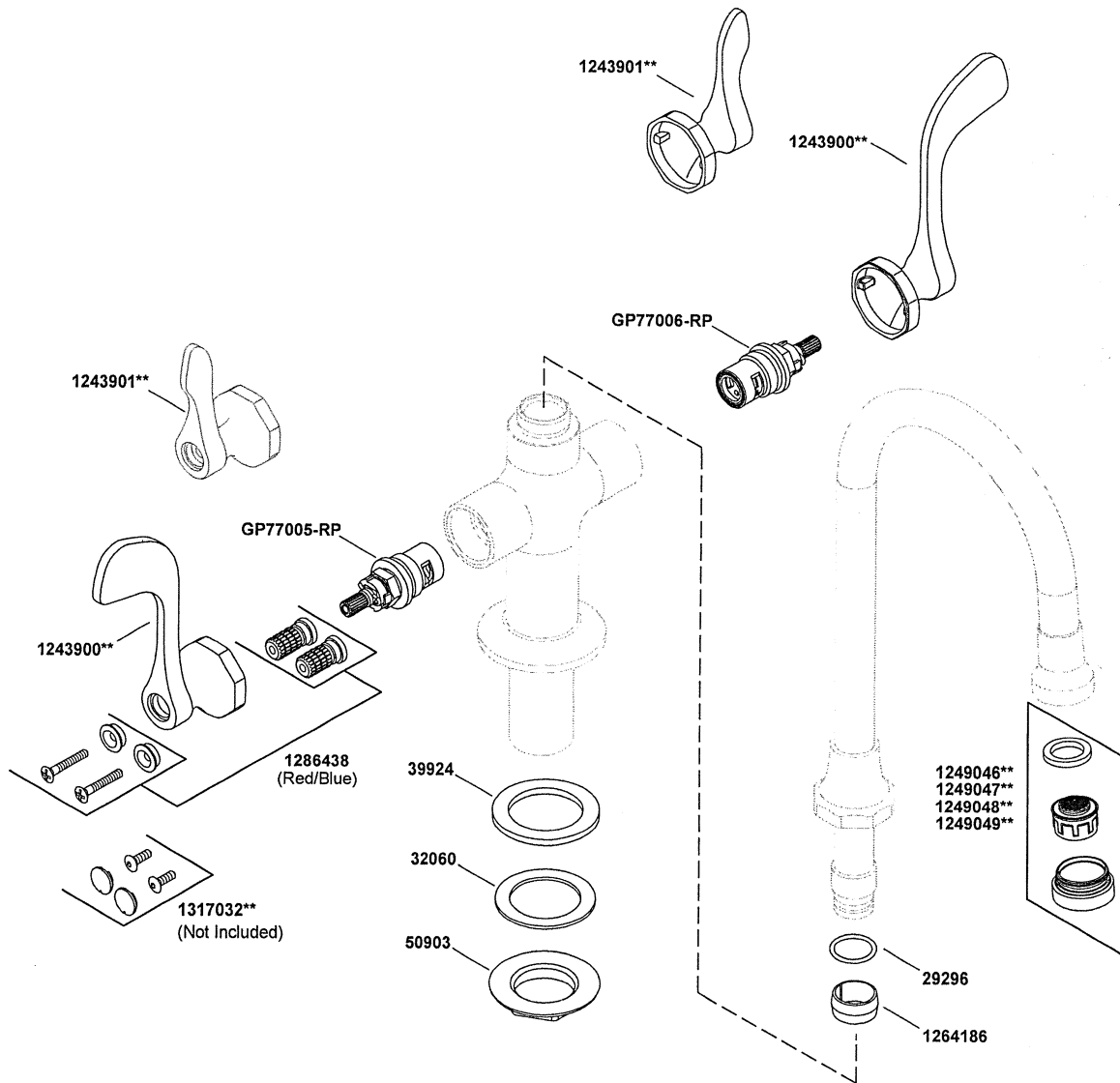
©2021 Kohler Co.



Triton® Bowe® 1.0 gpm monoblock go



1.0 gpm monoblock gooseneck bathroom sink faucet with laminar flow aerator
K-100T70-4AKL



1289781-8-B

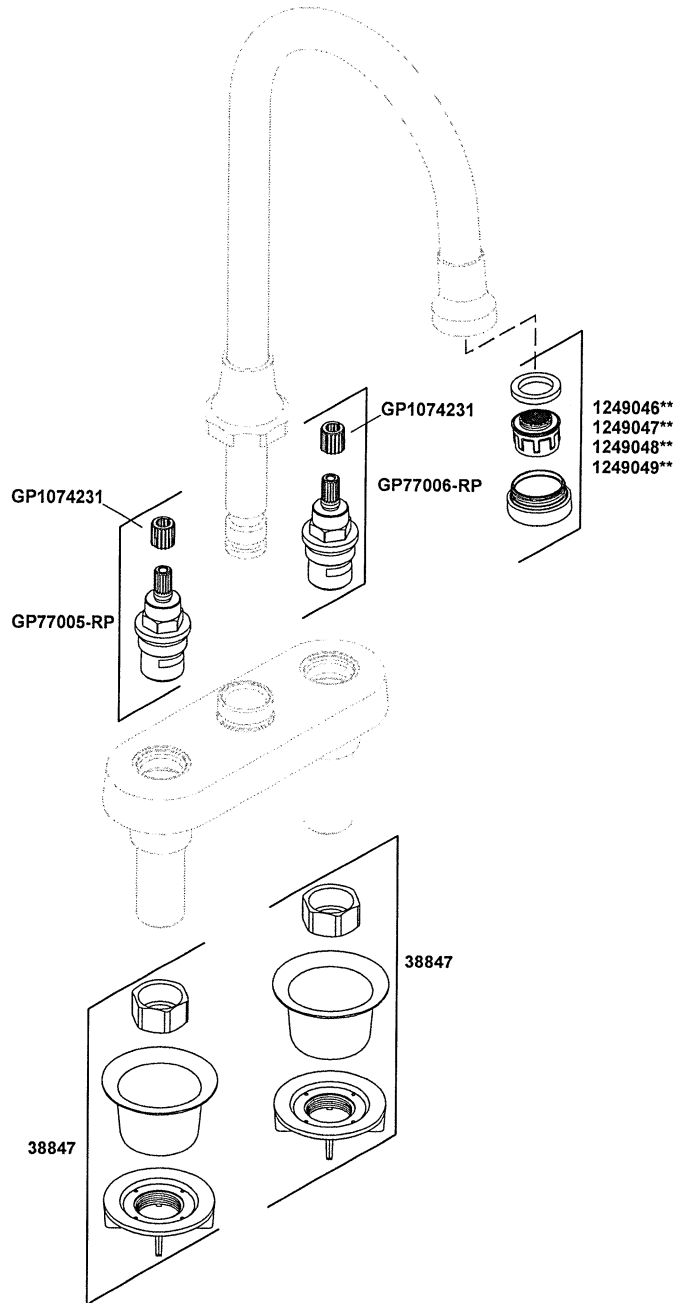
© 2017 Kohler Co.



Triton® Bowe® 1.0 gpm centerset bath



1.0 gpm centerset bathroom sink faucet with aerated flow, goosene
K-400T70-4AKA

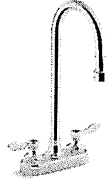


1295949-8-A

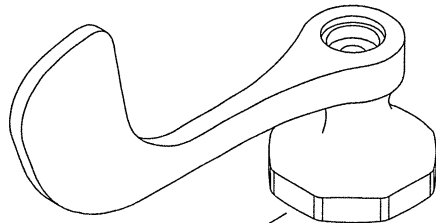
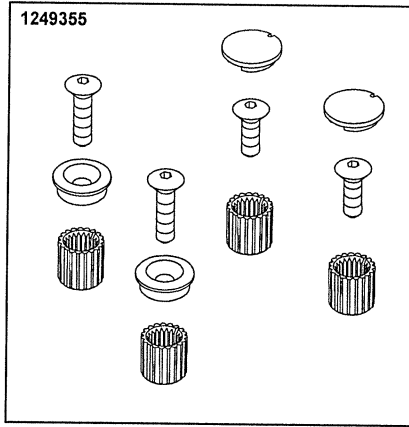
© 2016 Kohler Co.



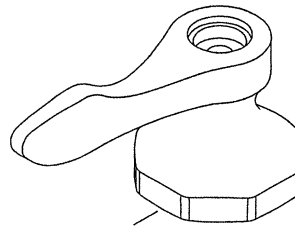
Triton® Bowe® 1.0 gpm centerset bath



1.0 gpm centerset bathroom sink faucet with aerated flow, goosene
K-400T70-4AKA



1243900**



1243901**



see what Delta can do™

86371



Models/Modelos/Modèles
2121LF, 2123LF,
2131LF, 2133LF
Series/Series/Seria

Write purchased model number here.
Escriba aquí el número del modelo comprado.
Inscrivez le numéro de modèle ici.

▲ Specify Finish/Especifique el Acabado/Précisez le Fini

Register Online
Regístrese en línea
S'enregistrer en ligne
www.deltafaucet.com/registerme

To reference replacement parts and access additional technical documents and product info, visit www.deltafaucet.com

Para referencia sobre las piezas de repuesto y acceder a documentos técnicos adicionales e información del producto, visite www.deltafaucet.com

Pour obtenir la référence des pièces de rechange ainsi que pour avoir accès à d'autres documents techniques et renseignements sur le produit, allez à www.deltafaucet.com



1-800-345-DELTA (3358)
customerservice@deltafaucet.com

Read all instructions prior to installation.

CAUTION

Failure to read these instructions prior to installation may result in personal injury, property damage, or product failure. Manufacturer assumes no responsibility for product failure due to improper installation.

Lea todas las instrucciones antes de hacer la instalación.

ADVERTENCIA

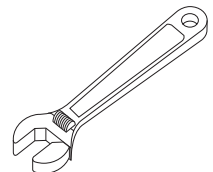
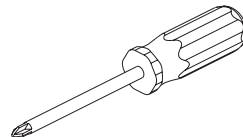
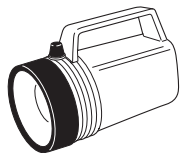
El no leer estas instrucciones de instalación puede resultar en lesiones personales, daños a la propiedad, o falla en el funcionamiento del producto. El fabricante no asume ninguna responsabilidad por la falla del producto debido a una instalación incorrecta.

Veillez lire toutes les instructions avant l'installation.

AVERTISSEMENT

L'omission de lire les présentes instructions avant l'installation peut entraîner des blessures, des dommages matériels ou le bris du produit. Le fabricant se dégage de toute responsabilité à l'égard d'un bris du produit causé par une mauvaise installation.

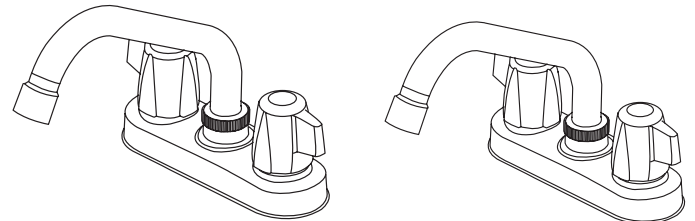
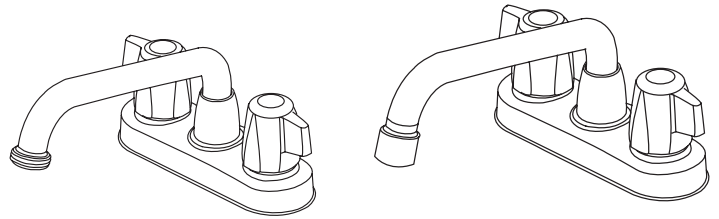
You may need:
Usted puede necesitar:
Articles dont vous pouvez avoir besoin :

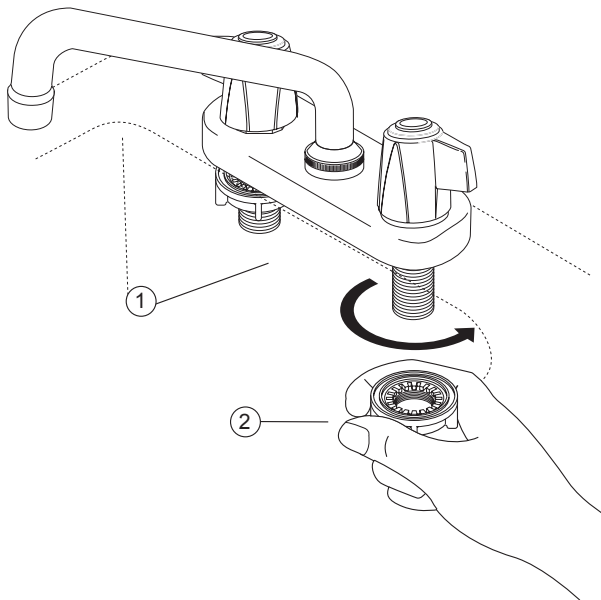
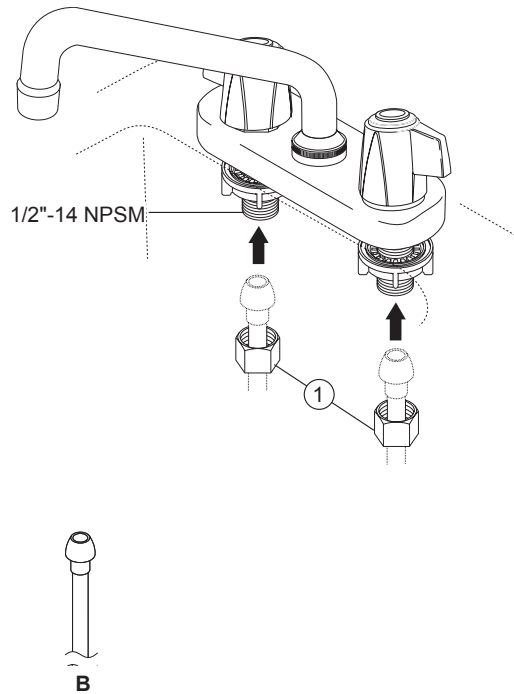


**TWO HANDLE WASHERLESS
LAUNDRY FAUCET**

**LLAVE DE AGUA DE DOS MANIJAS
SIN ARANDELAS PARA EL LAVADERO/BATEA**

**ROBINET SANS RONDELLE DE BAC À
LESSIVE À DEUX MANETTES**



1**2****SHUT OFF WATER SUPPLIES.**

Remove old faucet. Place gasket (1) on bottom of new faucet. Place faucet through mounting holes in sink.

Option: If sink is uneven, use silicone under the gasket (1).
Secure faucet to sink using locknuts (2) provided.

Make connections to water lines. Use 1/2" IPS faucet connections (A) or use the supplied coupling nuts (1) with 3/8" O.D. ball-nose risers (B).

CIERRE LOS SUMINISTROS DE AGUA.

Quite la llave vieja. Coloque el empaque (1) en la parte inferior de la llave. Coloque la llave de agua a través de los agujeros de instalación en el lavamanos.

Opción: Si el lavamanos está desnivelado, utilice silicóndebajo del empaque (1).
Fije la llave al lavamanos con las contratuercas (2) proporcionadas.

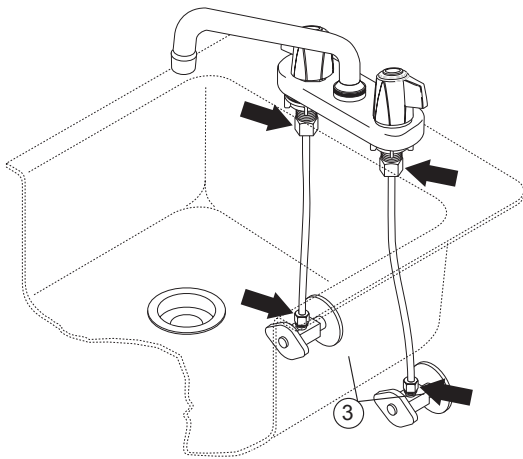
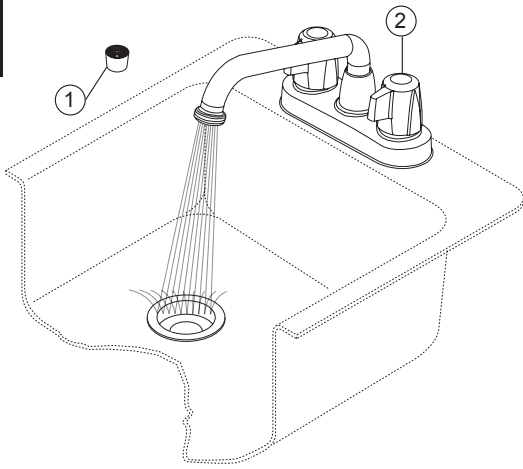
Haga las conexiones a la líneas de agua. Use conexiones de llave IPS de 1/2" (A) o use las tuercas de acoplamiento suministradas (1) con tubos montantes bola-nariz de D.E. de 3/8" (B).

INTERROMPEZ L'ARRIVÉE D'EAU.

Déposez le vieux robinet. Placez le joint (1) contre le dessous du robinet neuf.

Option: Si la surface dulavabo est inégale, appliquez du composé à la silicone sous le joint (1).
Fixez le robinet l'évier à l'aide des écrous autofreinés (2) fournis.

Raccordez les tuyaux d'eau chaude et d'eau froide. Utilisez des raccords de robinets 1/2 po IPS (A) ou les écrous de raccordement fournis (1) avec tubes- raccords à portée sphérique de 3/8 po d.e. (B).

3

Remove stream straightener (1) on models 2123, 2133. Turn faucet handles (2) all the way on. Turn on hot and cold water supplies (3) and flush water lines for one minute.

Important: This flushes away any debris that could cause damage to internal parts.

Check all connections at arrows for leaks. Re-tighten if necessary, but do not over-tighten. Replace stream straightener if removed.

Quite el Enderezador de Chorro (1) modelos 2123,2133. Gire las manijas de la llave (2) completamente a la posición abierta. Abra los suministros de agua caliente y fría (3) y deje que el agua corra por las líneas por un minuto.

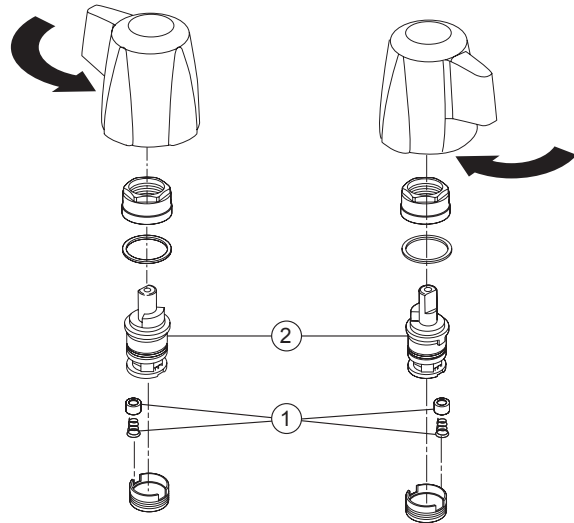
Importante: Esto limpia cualquier escombros que pudiera causar daño a las partes internas.

Examine todas las conexiones donde señalan las flechas por si hay filtraciones de agua. Apriete de nuevo si es necesario, pero no apriete demasiado. Reemplace el enderezador de chorro si quite.

Retirez Concentrateur de jet (1) modèles 2131,2133. Tournez les poignées (2) du robinet pour ouvrir celui-ci complètement. Rétablissez l'alimentation en eau chaude et en eau froide (3), puis laissez s'écouler l'eau une minute.

Important : Il faut laisser s'écouler l'eau pour évacuer les saletés qui pourraient abîmer les éléments internes du robinet.

Vérifiez l'étanchéité de tous les raccords identifiés par une flèche. Resserrer les raccords au besoin, mais prenez garde de trop les serrer. Puis remplacez concentrateur de jet si retirez.



Maintenance

If faucet leaks from spout outlet—Shut off water supplies—Replace Seats and Springs (1).

If leak persists—Shut off water supplies—Replace Stem Unit Assembly (2).

*Install stems (2) correctly for proper handle rotation.

Mantenimiento

Si la llave tiene filtraciones del pico del tubo de salida—Cierre los suministros de agua—Reemplace los Asientos y Resortes (1).

Si la filtración persiste—Cierre los suministros de agua—Reemplace el Ensamble de la Unidad de la Espiga (2).

*Instale las espigas (2) correctamente para obtener una rotación debida.

Entretien

Si le robinet fuit par la sortie du bec—coupez l'eau—puis remplacez les sièges et les ressorts (1).

Si le robinet fuit encore—coupez l'eau—puis remplacez l'obturateur (2).

*Installer correctement les obturateurs (2) pour que les manettes tournent dans le bon sens.

Limited Warranty on Delta® Faucets

Parts and Finish: All parts (other than electronic parts and batteries) and finishes of Delta® faucets purchased from authorized Delta sellers are warranted to the original consumer purchaser to be free from defects in material and workmanship for as long as the original consumer purchaser owns the home in which the faucet was first installed. For commercial purchasers, (a) the warranty period is ten (10) years for multi-family residential applications and (b) five (5) years for all other commercial applications, in each case from the date of original purchase. For purposes of this warranty, the term "multi-family residential application" refers to the purchase of the faucet from an authorized Delta seller by a purchaser who owns but does not live in the residential dwelling in which the faucet is initially installed, such as in a rented or leased single unit or multi-unit detached home (duplex or townhome), or a condominium, apartment building or community living center. The following installations are not considered multi-family residential applications, are excluded from the 10-year warranty and are subject to the 5-year warranty: industrial, institutional or other business premises, such as a dormitory, hospitality premises (hotel, motel or extended stay location), airport, educational facility, long- or short-term healthcare facility (hospital, rehabilitation center, nursing, assisted or staged-care living unit), public space or common area.

Parts and Finish for Delta® Recertified Faucets: Delta Faucet Company offers for sale online Delta® Recertified faucets. Delta® Recertified faucets only include faucets that have been certified as such by Delta Faucet Company. All parts (other than electronic parts and batteries) and finishes of these Delta® Recertified faucets are warranted to the original consumer purchaser to be free from defects in material and workmanship for ten (10) years from the date of original purchase. For commercial purchasers, the warranty period is one (1) year from the date of original purchase.

Electronic Parts: Electronic parts (other than batteries), if any, of Delta® faucets purchased from deltafaucet.com or authorized Delta sellers are warranted to the original consumer purchaser to be free from defects in material and workmanship for five (5) years from the date of original purchase or, for commercial purchasers, for one (1) year from the date of original purchase. No warranty is provided on batteries.

What We Will Do: Delta Faucet Company will repair or replace, free of charge, during the applicable warranty period (as described above), any part or finish that proves defective in material and/or workmanship under normal installation, use and service. Delta Faucet Company may, in its sole discretion, use new, refurbished or recertified parts or products for such repair or replacement. If repair or replacement is not practical, Delta Faucet Company may elect to refund the purchase price in exchange for the return of the product. These are your **exclusive remedies**.

What Is Not Covered: Because Delta Faucet Company is unable to control the quality of Delta products sold by unauthorized sellers, unless otherwise prohibited by law, this warranty does not cover Delta products purchased from unauthorized sellers.

Any labor charges incurred by the purchaser to repair, replace, install or remove this product are not covered by this warranty. Delta Faucet Company shall not be liable for any damage to the faucet resulting from reasonable wear and tear, outdoor use, misuse (including use of the product for an unintended application), freezing water, abuse, neglect or improper or incorrectly performed installation, maintenance or repair, including failure to follow the applicable care and cleaning instructions. Delta Faucet Company recommends using a professional plumber for all installation and repair of faucets. We also recommend that you use only genuine Delta® replacement parts.

What You Must Do To Obtain Warranty Service or Replacement Parts: A warranty claim may be made and replacement parts may be obtained by calling 1 800 345 DELTA (3358) or by contacting us by mail or online as follows (please include your model number and date of original purchase):

In the United States and Mexico:
Delta Faucet Company
55 E. 111th Street
Indianapolis, IN 46280
Attention: Warranty Service
www.deltafaucet.com/service-parts/contact-us

In Canada:
Masco Canada Limited, Plumbing Group
Technical Service Centre
350 South Edgeware Road
St. Thomas, Ontario, Canada N5P 4L1
Attention: Customer Service
<http://www.deltafaucet.ca/customersupport/assistance.html>

Proof of purchase (original sales receipt) from the original purchaser must be made available to Delta Faucet Company for all warranty claims unless the purchaser has registered the product with Delta Faucet Company or the product is a Delta® Recertified product purchased from deltafaucet.com. This warranty applies only to Delta® faucets manufactured after January 1, 2019 and installed in the United States of America, Canada and Mexico.

Limitation on Duration of Implied Warranties. Please note that some states/provinces (including Quebec) do not allow limitations on how long an implied warranty lasts, so the below limitations may not apply to you. TO THE MAXIMUM EXTENT PERMITTED BY APPLICABLE LAW, ANY IMPLIED WARRANTY, INCLUDING THE IMPLIED WARRANTIES OF MERCHANTABILITY AND OF FITNESS FOR A PARTICULAR PURPOSE, IS LIMITED TO THE STATUTORY PERIOD OR THE DURATION OF THIS WARRANTY, WHICHEVER IS SHORTER.

Limitation of Special, Incidental or Consequential Damages. Please note that some states/provinces (including Quebec) do not allow the exclusion or limitation of special, incidental or consequential damages, so the below limitations and exclusions may not apply to you. TO THE MAXIMUM EXTENT PERMITTED BY APPLICABLE LAW, THIS WARRANTY DOES NOT COVER, AND DELTA FAUCET COMPANY SHALL NOT BE LIABLE FOR, ANY SPECIAL, INCIDENTAL OR CONSEQUENTIAL DAMAGES (INCLUDING LABOR CHARGES TO REPAIR, REPLACE, INSTALL OR REMOVE THIS PRODUCT), WHETHER ARISING OUT OF BREACH OF ANY EXPRESS OR IMPLIED WARRANTY, BREACH OF CONTRACT, TORT, OR OTHERWISE. DELTA FAUCET COMPANY SHALL NOT BE LIABLE FOR ANY DAMAGE TO THE FAUCET RESULTING FROM REASONABLE WEAR AND TEAR, OUTDOOR USE, MISUSE (INCLUDING USE OF THE PRODUCT FOR AN UNINTENDED APPLICATION), FREEZING WATER, ABUSE, NEGLIGENCE OR IMPROPER OR INCORRECTLY PERFORMED INSTALLATION, MAINTENANCE OR REPAIR, INCLUDING FAILURE TO FOLLOW THE APPLICABLE INSTALLATION, CARE AND CLEANING INSTRUCTIONS. Notice to residents of the State of New Jersey: The provisions of this warranty, including its limitations, are intended to apply to the fullest extent permitted by the laws of the State of New Jersey.

Additional Rights: This warranty gives you specific legal rights, and you may also have other rights which vary from state/province to state/province.

This is Delta Faucet Company's exclusive written warranty and the warranty is not transferable.

If you have any questions or concerns regarding our warranty, please contact us as provided above or view our Warranty FAQs at www.deltafaucet.com.

© 2022 Delta Faucet Company

Garantía limitada en llaves de agua - grifos Delta®

Piezas y Acabado: Todas las piezas (excepto las piezas electrónicas y las baterías) y los acabados de las llaves de agua-grifos Delta® comprados a vendedores autorizados de Delta están garantizados al comprador consumidor original de no tener defectos de material y fabricación durante el tiempo que el comprador consumidor original sea dueño de la casa en la que el grifo se instaló por primera vez. Para compradores comerciales, (a) el período de garantía es de diez (10) años para aplicaciones residenciales multifamiliares y (b) cinco (5) años para todas las demás aplicaciones comerciales, en cada caso a partir de la fecha de compra original. Para los fines de esta garantía, el término "aplicación residencial multifamiliar" se refiere a la compra del grifo a un vendedor autorizado de Delta por parte de un comprador que es propietario, pero quien no reside en la vivienda en la que se instaló inicialmente el grifo, como en una unidad individual alquilada o arrendada o en una vivienda unifamiliar de unidades múltiples (dúplex o casa adosada), o en un condominio, edificio de apartamentos o centro de viviendas comunitarias. Las siguientes instalaciones no se consideran aplicaciones residenciales multifamiliares, están excluidas de la garantía de 10 años y están sujetas a la garantía de 5 años: instalaciones industriales, institucionales u otras instalaciones comerciales, como dormitorios, instalaciones de hospitalidad (hotel, motel o ubicación de estadia prolongada), aeropuerto, centro educativo, centro de atención médica a corto o largo plazo (hospital, centro de rehabilitación, asilo de ancianos, unidad de vivienda asistida o de atención por etapas), espacio público o área común.

Piezas y acabados para llaves de agua-grifos recertificadas Delta®: Delta Faucet Company ofrece a la venta en línea grifos recertificados Delta®. Los grifos recertificados de Delta® solo incluyen grifos que han sido certificados como tales por Delta Faucet Company. Todas las piezas (excepto las piezas electrónicas y las baterías) y los acabados de estas llaves de agua recertificadas de Delta® están garantizados al comprador consumidor original de no tener defectos de material y fabricación durante diez (10) años a partir de la fecha de compra original. Para compradores comerciales, el período de garantía es de un (1) año a partir de la fecha de la compra original.

Piezas electrónicas: Se garantiza al comprador consumidor original que las piezas electrónicas (aparte de las pilas), si las hubiera, de las llaves de agua Delta® compradas en deltafaucet.com o a vendedores autorizados de Delta, estarán libres de defectos de material y fabricación durante cinco (5) años a partir de la fecha de compra original o, para compradores comerciales, durante un (1) año a partir de la fecha de compra original. No se proporciona garantía en las pilas.

Lo que hacemos: Delta Faucet Company reparará o reemplazará, sin cargo, durante el período de garantía aplicable (como se describe anteriormente), cualquier pieza o acabado que resulte defectuoso en material y/o fabricación bajo condiciones normales de instalación, uso y servicio. Delta Faucet Company puede, a su exclusivo criterio, usar piezas o productos nuevos, reacondicionados o recertificados para dicha reparación o reemplazo. Si la reparación o el reemplazo no son prácticos, Delta Faucet Company puede optar por reembolsar el precio de compra a cambio de la devolución del producto. **Estas son sus rectificaciones exclusivas.**

Lo que esta garantía no cubre: Debido a que Delta Faucet Company no puede controlar la calidad de los productos Delta vendidos por vendedores no autorizados, a menos que la ley lo prohíba, esta garantía no cubre los productos Delta comprados a vendedores no autorizados.

La garantía no cubre cualquier costo de labor incurrido por el comprador para reparar, reemplazar, instalar o desmontar este producto. Delta Faucet Company no será responsable por cualquier daño al grifo que resulte del desgaste razonable, uso en el exterior, uso indebido, (incluyendo el uso del producto para una aplicación indebida), agua helada, abuso, negligencia o la instalación, el mantenimiento o la reparación, incluido el incumplimiento de las instrucciones de cuidado y limpieza correspondientes. Delta Faucet Company recomienda los servicios de un plomero profesional para toda instalación y reparación de los grifos. También recomendamos que use solo piezas de repuestos genuinas Delta®.

Lo que usted debe hacer para obtener servicio de garantía o piezas de repuesto: Se puede hacer un reclamo para la garantía y se

pueden obtener piezas de repuesto llamando al 1-877-345-DELTA (3358) o contactándonos por correo postal o electrónico como indicado (favor incluya el número del modelo y la fecha de compra):

En los Estados Unidos y México:
Delta Faucet Company
55 E. 111th Street
Indianapolis, IN 46280
Atención: Warranty Service
www.deltafaucet.com/service-parts/contact-us

En Canadá:
Masco Canada Limited, Plumbing Group
Technical Service Centre
350 South Edgeware Road
St. Thomas, Ontario, Canada N5P 4L1
Atención: Customer Service
<http://www.deltafaucet.ca/customersupport/assistance.html>

(El comprobante de compra (recibo de venta original) del comprador original debe ser disponible a Delta Faucet Company para todos los reclamos de garantía a menos que el comprador haya registrado el producto en Delta Faucet Company o es un producto recertificado de Delta® comprado de deltafaucet.com. Esta garantía aplica solo a las llaves de agua/grifos Delta® fabricados después de enero 1, 2019 e instalados en los Estados Unidos de América, Canadá y México.

La limitación de la duración de las garantías implícitas. Favor de tomar nota que algunos estados/provincias (incluyendo Quebec) no permiten las limitaciones de la duración de una garantía implícita por lo que las limitaciones a continuación pueden no aplicarse. HASTA EL ALCANCE MÁXIMO EN QUE LA LEY LO PERMITA, CUALQUIER GARANTÍA IMPLÍCITA, INCLUIDAS LAS GARANTÍAS IMPLÍCITAS DE COMERCIABILIDAD Y DE IDONEIDAD PARA UN PROPÓSITO PARTICULAR, ESTÁ LIMITADA AL PERÍODO LEGAL O A LA DURACIÓN DE ESTA GARANTÍA, LO QUE SEA MÁS CORTO.

Limitación de daños especiales, incidentales o consiguientes. Tenga en cuenta que algunos estados/provincias (incluyendo Quebec) no permiten la exclusión o limitación de daños especiales, incidentales o consiguientes, por lo que las limitaciones y exclusiones a continuación pueden no aplicarse. HASTA EL ALCANCE MÁXIMO PERMITIDO POR LA LEY APPLICABLE, ESTA GARANTÍA NO CUBRE, Y DELTA FAUCET COMPANY NO SERÁ RESPONSABLE DE DAÑOS ESPECIALES, INCIDENTALES O CONSECUENTES (INCLUIDOS LOS COSTOS LABORALES PARA REPARAR, REEMPLAZAR, INSTALAR O RETIRAR ESTE PRODUCTO) SEAN EL RESULTADO DE INCUMPLIMIENTO DE CUALQUIER GARANTÍA EXPRESA O IMPLÍCITA, INCUMPLIMIENTO DE CONTRATO, AGRAVIO O DE OTRA MANERA. DELTA FAUCET COMPANY NO SE RESPONSABILIZARÁ POR CUALQUIER DAÑO AL PRODUCTO QUE RESULTE DEL DESGASTE RAZONABLE, USO EN EL EXTERIOR DE LA PROPIEDAD, USO INDEBIDO (INCLUYENDO EL USO DEL PRODUCTO PARA UNA APLICACIÓN NO INTENCIONADA), AGUA HELADA, ABUSO, NEGLIGENCIA O INSTALACIÓN, MANTENIMIENTO O REPARACIÓN INADECUADA O INCORRECTA, INCLUYENDO EL NO SEGUIR LAS INSTRUCCIONES CORRESPONDIENTES PARA LA INSTALACIÓN, EL CUIDADO, Y LA LIMPIEZA. Aviso para los residentes del estado de New Jersey: Las disposiciones de este documento tienen la intención de aplicarse al alcance máximo permitido por las leyes del estado de New Jersey.

Derechos adicionales: Esta garantía le otorga derechos legales específicos, y también puede tener otros derechos que varían de estado/provincia a estado/provincia.

Esta es la garantía escrita exclusiva de Delta Faucet Company y la garantía no es transferible.

Si tiene preguntas o dudas con respecto a nuestra garantía, por favor comuníquese con nosotros como se indica arriba o visite nuestro sitio web www.deltafaucet.com preguntas y respuestas frecuentes FAQs

© 2022 Empresa de grifos Delta

Garantie limitée des robinets Delta®

Pièces et finis: Tous les pièces (autres que les composants électroniques et les piles) et les finis de ce robinet Delta® achetés chez des vendeurs Delta autorisés sont protégés contre les défauts de matériel et les vices de fabrication par une garantie qui est consentie au premier acheteur au détail et qui demeure valide tant que celui-ci demeure propriétaire de la maison dans laquelle le robinet a été installé. En ce qui concerne les acheteurs commerciaux, la période de garantie est (a) de dix (10) ans pour les applications résidentielles multifamiliales et (b) de cinq (5) ans pour toutes les autres applications commerciales, à compter de la date d'achat dans chaque cas. Dans le libellé de la présente garantie, on entend par « application résidentielle multifamiliale », un robinet acheté chez un vendeur Delta autorisé par un acheteur qui est propriétaire d'un logement résidentiel sans l'habiter et installé pour la première fois dans ce immeuble. Il peut s'agir d'un immeuble individuel comportant un ou plus d'un logement loué (duplex ou groupe de maisons en rangée), d'un condominium, d'un immeuble d'habitation ou d'un centre d'intégration communautaire. Les applications décrites ci-après ne sont pas considérées comme des applications multifamiliales et elles sont couvertes par la garantie de 5 ans plutôt que par la garantie de 10 ans. Ce sont les suivantes : robinets installés dans un bâtiment industriel, un bâtiment institutionnel et un autre immeuble commercial, notamment une résidence d'étudiants, un lieu d'hébergement (hôtel, motel ou lieu de séjour prolongé), un aéroport, un établissement d'enseignement, un établissement de soins de santé de courte ou de longue durée (hôpital, centre de réadaptation, maison de soins infirmiers), un endroit public ou un lieu commun.

Pièces et finis des robinets recertifiés Delta®: Delta Faucet Company offre en vente en ligne des robinets recertifiés Delta®. Les robinets recertifiés Delta® comprennent uniquement les robinets qui ont été certifiés à ce titre par Delta Faucet Company. Tous les pièces (autres que les pièces électroniques et les piles) et les finis de ces robinets Delta® recertifiés sont protégés contre les défauts de matériel et les vices de fabrication par une garantie qui est consentie au premier acheteur au détail et qui est d'une durée de dix (10) ans à compter de la date d'achat initiale. En ce qui concerne les acheteurs commerciaux, la période de garantie est d'un (1) an à compter de la date d'achat initiale.

Composants électroniques: Les composants électroniques (autres que les piles) de ce robinet Delta® qui ont été achetés auprès de deltafaucet.com ou de vendeurs Delta autorisés sont protégés contre les défauts de matériel et les vices de fabrication par une garantie consentie au premier acheteur au détail qui est de cinq (5) ans à compter de la date d'achat initiale. En ce qui concerne les acheteurs commerciaux, la période de garantie est d'un (1) an à compter de la date d'achat initiale. Les piles ne sont pas couvertes par la garantie.

Ce que nous ferons: Delta Faucet Company réparera ou remplacera gratuitement, pendant la période de garantie applicable (décrite ci-dessus), toute pièce ou tout fini qui présentera une déféciosité de matériel et/ou un vice de fabrication pour autant que le produit ait été installé, utilisé et entretenu normalement. Delta Faucet Company peut, à sa seule discrétion, utiliser des produits neufs, remis à neuf ou recertifiés ou des pièces neuves, remises à neuf ou recertifiées pour effectuer la réparation ou le remplacement. Si n'est pas en mesure de réparer ou de remplacer le produit, Delta Faucet Company pourra rembourser le prix d'achat en échange du produit retourné. **Il s'agit de vos seuls recours.**

Ce qui n'est pas couvert: Étant donné que Delta Faucet Company n'est pas en mesure de contrôler la qualité des produits vendus par des vendeurs non autorisés, la présente garantie ne s'applique pas aux produits Delta vendus par des vendeurs non autorisés, à moins que cette restriction ne soit interdite par la loi.

La présente garantie ne couvre pas les frais de main-d'œuvre encourus par l'acheteur pour la réparation, le remplacement, l'installation ou la dépose du robinet. Delta Faucet Company se dégage de toute responsabilité à l'égard de toute détérioration du robinet résultant d'une usage raisonnable et des dommages causés par une utilisation à l'extérieur, un mauvais usage (y compris l'utilisation du produit à des fins autres que celles auxquelles il est destiné), le gel de l'eau, un usage abusif, la négligence ou l'utilisation d'une méthode d'installation, de maintenance ou de réparation incorrecte ou inadéquate, y compris les dommages résultant du non-respect des instructions de nettoyage et d'entretien applicables. Delta Faucet Company vous recommande de confier tous les travaux d'installation et de réparation à un plombier professionnel. Nous vous recommandons également d'utiliser uniquement des pièces de rechange Delta® authentiques.

Ce que vous pouvez faire pour vous prévaloir de la garantie ou obtenir des pièces de rechange: Vous pouvez présenter une réclamation en vertu de la garantie et obtenir des pièces de rechange en appelant au 1-800-345-DELTA (3358) ou en communiquant avec nous à l'une des adresses postales ou des adresses de courriel indiquées ci-dessous (n'oubliez pas d'indiquer le numéro de modèle et la date d'achat).

Aux États-Unis et au Mexique
Delta Faucet Company
55 E. 111th Street
Indianapolis, IN 46280
Attention: Warranty Service
www.deltafaucet.com/service-parts/contact-us

Au Canada:
Masco Canada Limited, Groupe plomberie
Centre de services techniques
350, chemin South Edgeware
St. Thomas (Ontario) Canada N5P 4L1
À l'attention du Service à la clientèle
<http://www.deltafaucet.ca/customersupport/assistance.html>

La preuve d'achat (original du reçu) du premier acheteur doit être présentée à Delta Faucet Company pour toutes les demandes en vertu de la garantie, sauf si le produit a été enregistré auprès de Delta Faucet Company ou si le produit est un produit recertifié Delta® acheté auprès de deltafaucet.com. La présente garantie s'applique uniquement aux robinets Delta® fabriqués après le 1er janvier 2019 et installés aux États-Unis d'Amérique, au Canada et au Mexique.

Limitation de la durée des garanties implícites. Veuillez noter que dans les États ou les provinces (y compris le Québec) où il est interdit de limiter la durée d'une garantie implicite, les limites mentionnées ci-dessus peuvent ne pas s'appliquer. DANS LA MESURE DE CE QUI EST PERMIS PAR LA LOI APPLICABLE, TOUTES LES GARANTIES IMPLÍCITES, Y COMPRIS LES GARANTIES IMPLÍCITES DE QUALITÉ MARCHANDE ET D'ADÉQUATION À UN USAGE PARTICULIER, SE LIMITENT À LA PÉRIODE FIXÉE PAR LA LOI OU À LA DURÉE DE LA PRÉSENTE GARANTIE, LA PLUS COURTE DES DEUX PÉRIODES S'APPLIQUANT.

Limitation des dommages particuliers, consécutifs ou indirects. Veuillez noter que dans les États ou les provinces (y compris le Québec) où il est interdit d'exclure ou de limiter les dommages particuliers, consécutifs ou indirects, les exclusions et les limites mentionnées ci-dessus peuvent ne pas s'appliquer. DANS LA MESURE DE CE QUI EST PERMIS PAR LA LOI APPLICABLE, DELTA FAUCET COMPANY SE DÉGAGE DE TOUTE RESPONSABILITÉ À L'ÉGARD DES DOMMAGES PARTICULIERS, CONSÉCUTIFS ET INDIRECTS (Y COMPRIS LES FRAIS DE MAIN-D'ŒUVRE POUR LA RÉPARATION, LE REMPLACEMENT, L'INSTALLATION OU LA DÉPOSE DU PRODUIT), PEU IMPORTÉ QU'ILS DÉCOULENT D'UNE RUPTURE D'UNE GARANTIE IMPLÍCITE OU EXPLÍCITE, D'UNE RUPTURE DE CONTRAT, D'UN DÉLIT CIVIL OU D'UNE AUTRE CAUSE. DELTA FAUCET COMPANY SE DÉGAGE DE TOUTE RESPONSABILITÉ À L'ÉGARD DE TOUTE DÉTÉRIORATION DU ROBINET RÉSULTANT D'UNE USURE RAISONNABLE ET DES DOMMAGES CAUSÉS PAR UNE UTILISATION À L'EXTÉRIEUR, UN MAUVAIS USAGE (Y COMPRIS L'UTILISATION DU PRODUIT À DES FINS AUTRES QUE CELLES AUXQUELLES IL EST DESTINÉ), LE GEL DE L'EAU, UN USAGE ABUSIF, LA NÉGLIGENCE OU L'UTILISATION D'UNE MÉTHODE D'INSTALLATION, DE MAINTENANCE OU DE RÉPARATION INCORRECTE OU INADÉQUATE, Y COMPRIS LES DOMMAGES RÉSULTANT DU NON-RESPECT DES INSTRUCTIONS D'INSTALLATION, D'ENTRETIEN ET DE NETTOYAGE APPLICABLES, ET CES DOMMAGES NE SONT PAS COUVERTS PAR LA GARANTIE. Avis à l'intention des résidents de l'État du New Jersey : Les dispositions de la présente garantie, y compris ses limitations, s'appliquent dans toute la mesure permise par les lois de l'État du New Jersey.

Droits supplémentaires: La présente garantie vous procure des droits précis reconnus par la loi. Vous pouvez avoir d'autres droits qui varient selon l'État ou la province.

La présente garantie écrite est la seule garantie offerte par Delta Faucet Company et elle n'est pas transférable.

Si vous avez des questions ou des préoccupations concernant notre garantie, veuillez communiquer avec nous de la manière indiquée ci-dessus ou consulter notre FAQ sur la garantie à www.deltafaucet.com.

© 2022 Entreprise de robinetterie Delta

TEMPERING VALVE

INSTALLATION ADJUSTMENT SERVICE HIGH-LOW MANIFOLD TM-2020B, TM-2020B-LF

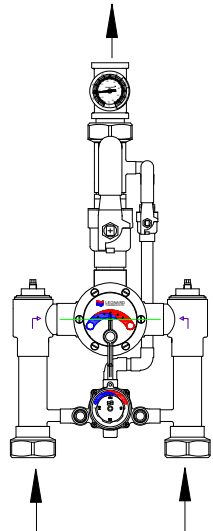
IMPORTANT! Provide serial numbers for both valves when ordering parts!!
Small valve manufactured after July 2007 starting with serial # TM26272

INSTALLATION



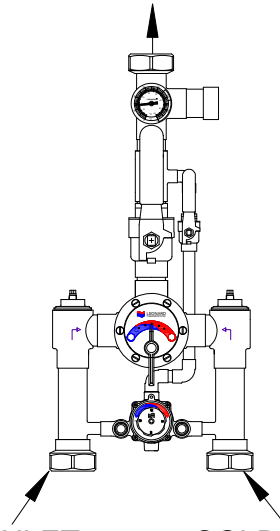
WARNING: This product can expose you to chemicals including lead, which is known to the State of California to cause cancer. For more information, go to www.P65Warnings.Ca.gov

DOMESTIC OUTLET



HOT INLET COLD INLET

DOMESTIC OUTLET



HOT INLET COLD INLET

- | | |
|--|---|
| <ol style="list-style-type: none"> 1. Type TM manifold systems are factory pre-assembled and tested and include large and small thermostatic water mixing valves which function as a system to meet both high and low demand for tempered water. 2. System should be installed at a location where it can easily be cleaned, adjusted or repaired. 3. System supplies must be connected as shown (Hot-left, Cold-right). Exercise caution when soldering. | <ol style="list-style-type: none"> 4. Flush pipes thoroughly after system has been connected. 5. If this assembly is installed on a recirculated hot water system it MUST be piped according to LEONARD'S REQUIRED PIPING METHODS (see pages 4 & 5). 6. Refer to page 3 of this bulletin for correct Setup Instructions. |
|--|---|

Maximum Operating Pressure 125PSI (860 KPA) for Hot and Cold Water.

CAUTION

All thermostatic water-mixing valves have limitations. They will not provide the desired accuracy outside of their flow capacity range. Consult the capacity chart on page 8. Minimum flow must be no less than as shown.

ADJUSTMENT AND SERVICE

Leonard Type TM Thermostatic Water Mixing Valves are simple in design and may be easily cleaned, adjusted and repaired. If the installation is accessible, servicing may be completed without disconnecting the valves.

NOTE: High Low Manifold Systems include Thermostatic Water Mixing Valves, which must be regularly maintained to provide best performance. Frequency of cleaning depends on quality of local water conditions and usage. See Maintenance Guide and Record MGR-1000



WARNING

These mixing valves are equipped with an adjustable high temperature limit stop factory set at approximately 120°F (49°C) with an incoming hot water supply temperature of 150°F (65.5°C). If the hot water supply temperature of the job is greater than 150°F (65.5°C), the valves when turned to full HOT will deliver water in excess of 120°F (49°C) and the limit stop **MUST BE RESET BY THE INSTALLER!**

TO RESET ADJUSTABLE HIGH TEMPERATURE LIMIT STOP:

TM-2020B LARGE MIXING VALVES	TM-2020B SMALL MIXING VALVES
<ol style="list-style-type: none"> 1. Loosen LTR screw 2. Remove SNAP CAP, SCREW & WASHER, Remove POINTER. 3. Temporarily place POINTER on the spline rod, turn RIGHT for warmer temperature, turn LEFT for cooler temperature. When valve is delivering warmest temperature desired, remove the pointer. 4. Replace POINTER on the spline rod so that its RIGHT edge is resting against the STOP SCREW located on the RIGHT SIDE OF THE COVER. 5. The new maximum temperature has now been set. Test this temperature by holding a thermometer under the flow of water to be certain it is as desired. <p>* LIMIT STOP MUST BE RESET AND RECHECKED EACH TIME HANDLE IS REMOVED.</p>	<ol style="list-style-type: none"> 1. Loosen LTR Set Screw, remove POINTER SCREW. 2. Adjust POINTER to maximum desired temperature. 3. Remove POINTER, replace POINTER on spline rod with STOP (which is cast into the underside on the pointer), resting against the BOTTOM side of the WEB on the FINE ADJUSTMENT SCREW. 4. If fine adjustment is needed, adjust FINE ADJUSTMENT SCREW on the cover, loosen for hotter or tighten for cooler temperature. 5. Replace POINTER and check temperature, if set to desired temperature replace POINTER SCREW, and tighten LTR SET SCREW. 6. The new maximum temperature has now been set. Test this temperature by holding a thermometer under the flow of water to be certain it is as desired. <p>* LIMIT STOP MUST BE RESET AND RECHECKED EACH TIME HANDLE IS REMOVED.</p>

IMPORTANT! ALL MIXING VALVES MUST BE SET AT THE SAME OPERATING TEMPERATURE.

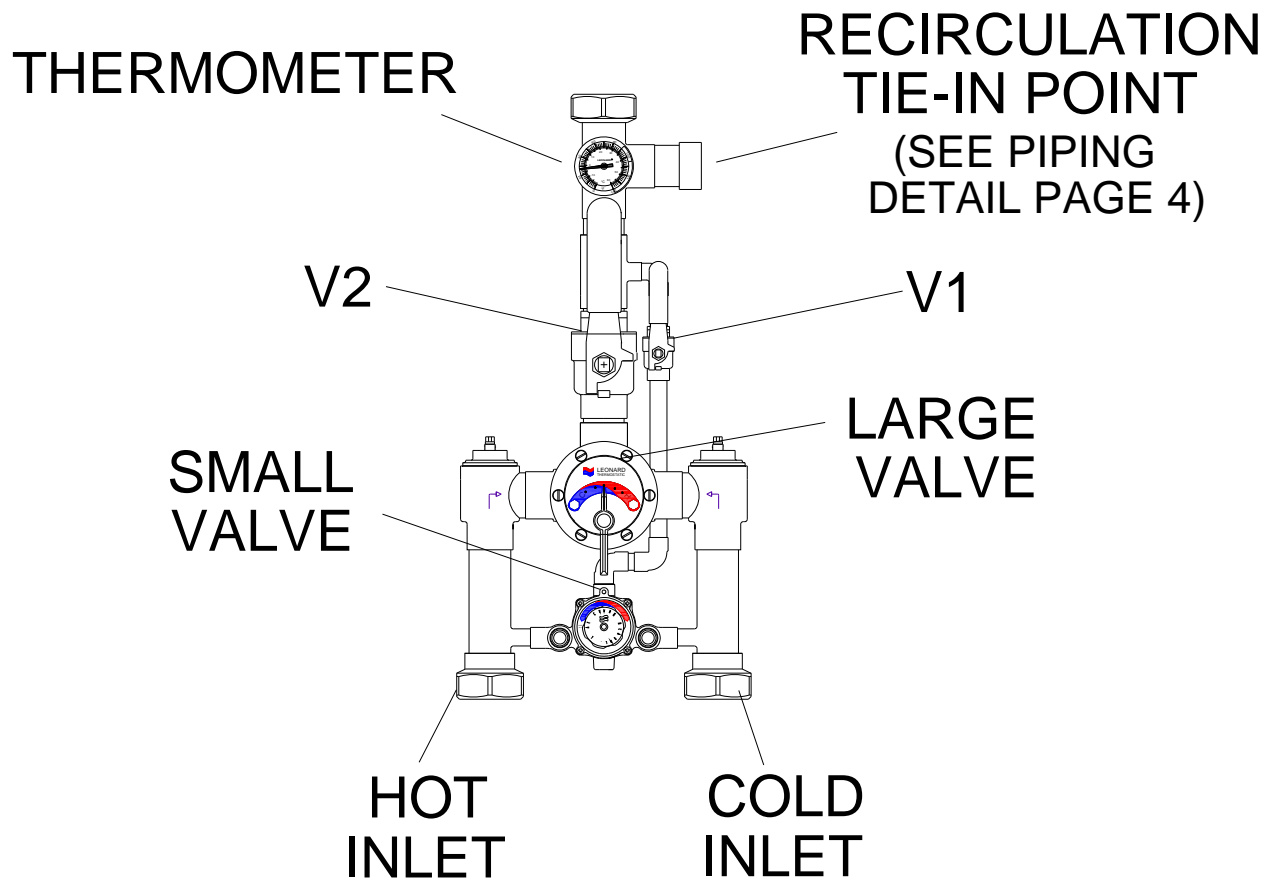
SEE PAGES: 6 & 7 FOR COMPLETE PARTS BREAKDOWN

Check for significant variations in outlet flow. Thermostatic valves will NOT provide the desired accuracy outside of their flow capacity range. Minimum flows must be no less than shown (see Flow Capacities, page 12).

If installed on a recirculated hot water system, make certain the valve is piped according to Leonard's Required Piping Methods (see page 4).

REMEMBER! THIS IS A CONTROL DEVICE WHICH MUST BE CLEANED AND MAINTAINED ON A REGULAR BASIS. (SEE MAINTENANCE GUIDE AND RECORD, MGR-1000).

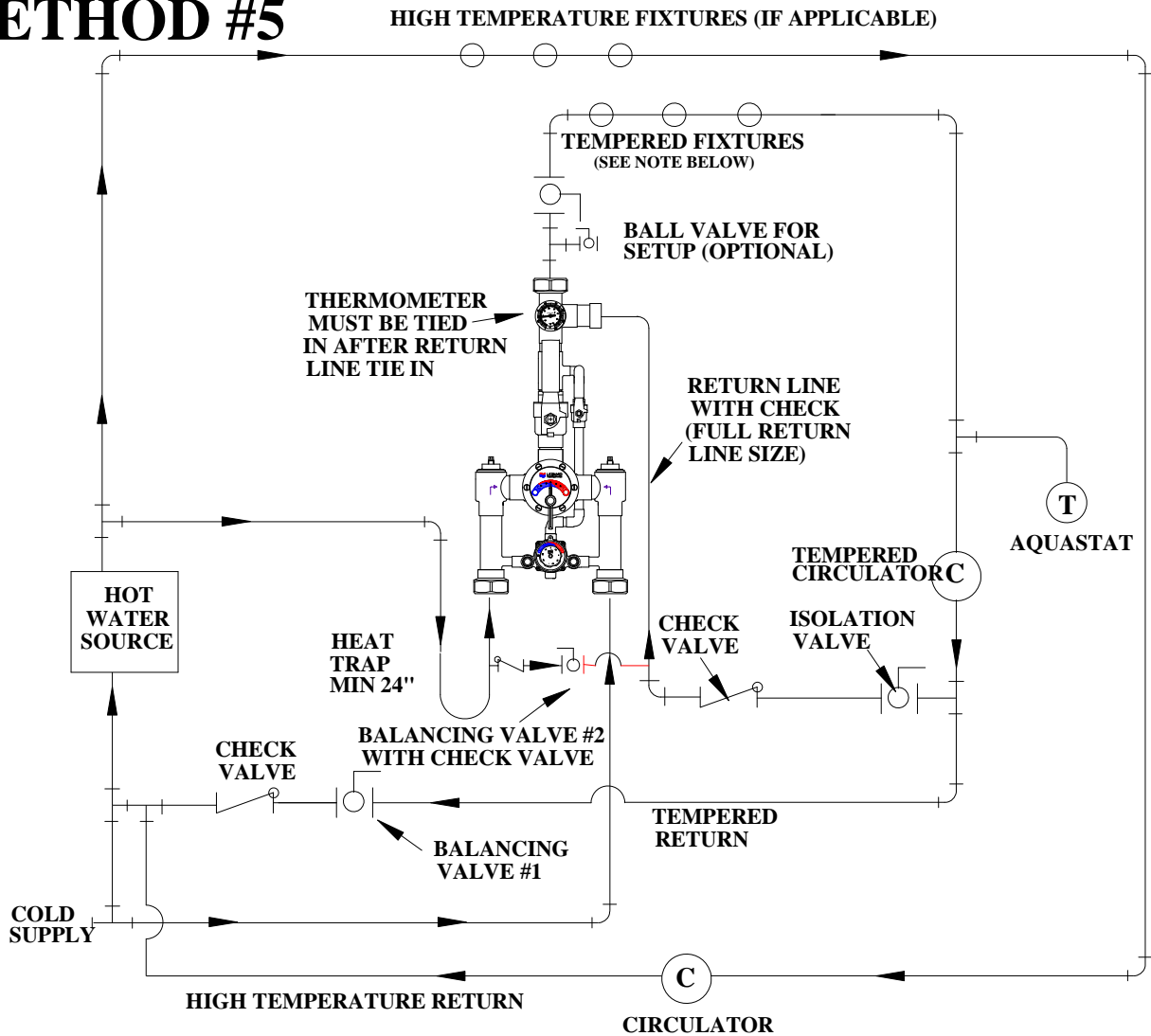
SETUP INSTRUCTIONS



<ol style="list-style-type: none"> 1. The High-Low Unit MUST be piped according to a Leonard Required Piping Method (see page 4). 2. Make sure full hot and cold supplies to this assembly are operating. The temperature of the hot water source must be properly set and maintained. 3. The circulator (if used) must be turned OFF before setup. 4. Turn on enough fixtures for a flow of at least 30 GPM (114 l/min.) downstream from this system. Make sure each fixture is set to deliver full "HOT" water. 5. Close outlet Valve V1 at the smaller Type TM Valve 6. Make sure Valve V2 at the large Type TM Valve is in the full open position. 	<ol style="list-style-type: none"> 7. Set outlet temperature of the large Type TM Valve to the required level. 8. Open outlet Valve V1 at the small TM Valve. 9. Shut outlet Valve V2 at the large TM valve. 10. Turn on enough fixtures for a flow of at least 2 GPM (7.6 l/min) downstream from this system. Make sure each fixture is set to deliver full "HOT" water. 11. Set outlet temperature of the small TM valve to the same temperature as Step 7. 12. Open outlet Valve V2. System is operational. To balance circulation system temperature, see page 4.
---	---

•NOTE! FOR OPTIONAL OUTLET SETUP PIPING ARRANGEMENT, SEE PAGE 8

METHOD #5



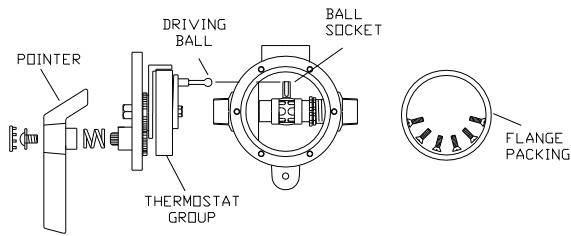
NOTE:

FOR MULTIPLE TEMPERED LOOPS, A BALANCING VALVE AND CHECK VALVE MUST BE INSTALLED ON EACH LOOP AFTER TEMPERED FIXTURES

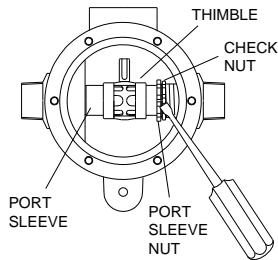
PROCEDURE TO BALANCE

1. MAKE SURE NO WATER IS BEING DRAWN IN THE BUILDING. OPEN BALANCING VALVE #1 APPROXIMATELY HALF WAY AND START CIRCULATOR. KEEP BALANCE VALVE #2 CLOSED AT THIS TIME.
2. OBSERVE TEMPERATURE UNTIL IT STABILIZES.
3. CLOSE BALANCING VALVE #1 SLIGHTLY IF TEMPERATURE IS TOO HOT, OR OPEN IT SLIGHTLY IF TEMPERATURE IS TOO COLD. ALLOW TEMPERATURE TO STABILIZE, REPEAT UNTIL DESIRED CIRCULATION TEMPERATURE IS SET.
4. IF UNABLE TO REACH DESIRED TEMPERATURE WITH VALVE #1 IN THE FULL OPEN POSITION, OPEN BALANCE VALVE #2 IN SMALL INCREMENTS (i.e. 1/8, 1/4, 3/8, ETC) UNTIL DESIRED TEMPERATURE IS ACHIEVED.

INSTRUCTIONS FOR SERVICING LARGER TM2020B VALVE

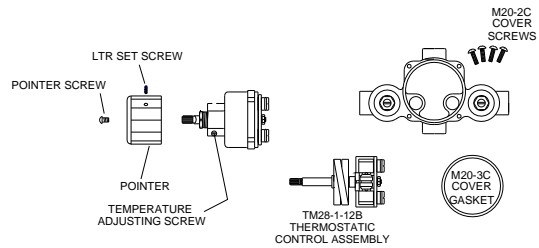


1. Loosen LTR set screw.
2. Remove snap cap, screw and washer, friction spring and pointer.
3. Turn off hot and cold supplies at checkstops. Remove TM-16 cover screws to release cover and thermostatic control assembly.
4. To clean port sleeve assembly, (the thimble must move freely on the port sleeve): unscrew the check nut as far as it will go, then screw the port sleeve nut into the base. The port sleeve and thimble may be lifted out. SEE DWG BELOW
5. Clean in a non-corrosive cleaning solution. **DO NOT USE ABRASIVES!** The port sleeve should be reassembled in the valve.

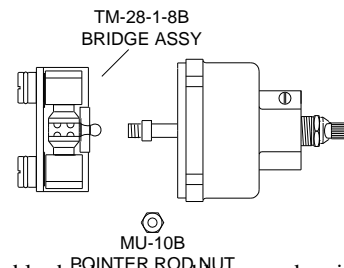


6. To clean thermostat group, remove coil sleeve stud and take off thermostat group.
7. Clean in a non-corrosive cleaning solution.
8. When reassembling, make sure driving ball of thermostat group engages the ball socket of the port sleeve assembly.

INSTRUCTIONS FOR SERVICING SMALLER TM2020B VALVE



1. Loosen LTR set set screw.
2. Remove pointer screw, and pointer.
3. Turn off hot and cold supplies at screwdriver checkstops. Remove M20-2C cover screws to release cover and thermostatic control assembly.
4. To remove bridge assembly, TM28-1-8B, remove pointer rod nut (MU-10B) and pull bridge assembly off control rod.
5. To clean submerge bridge assembly in clean water or non-corrosive cleaning solution. **DO NOT USE ABRASIVES!** Be certain thimble moves freely on port sleeve. Note! Driving ball on thimble must engage coil bracket in assembling.



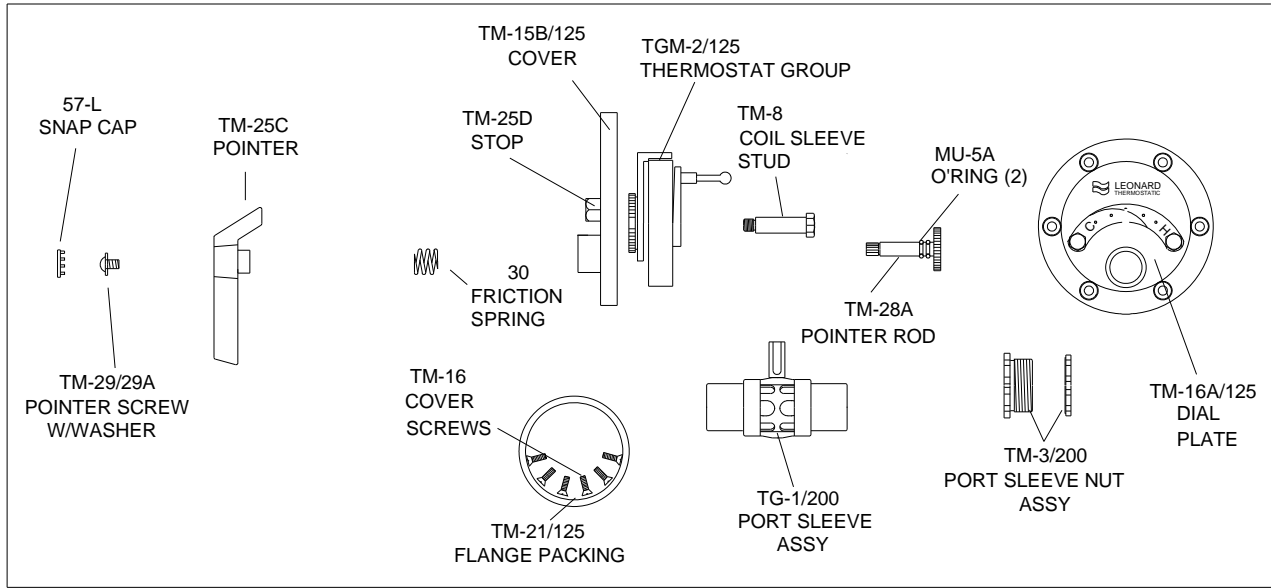
6. To disassemble bridge assembly, see drawing next page (remove TM25-3A holder nuts with screwdriver in slots provided).
7. To clean thermostat coil, remove retaining ring and stop, loosen gland nut. Push rod through cover. Be careful not to pull coil out of shape.

TROUBLESHOOTING INSTRUCTIONS

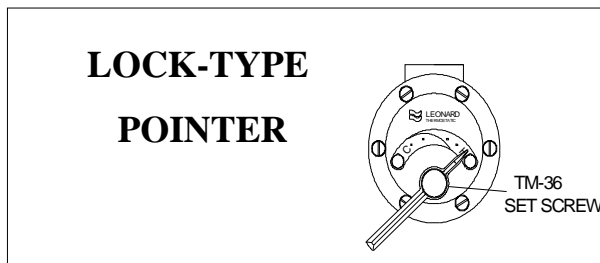
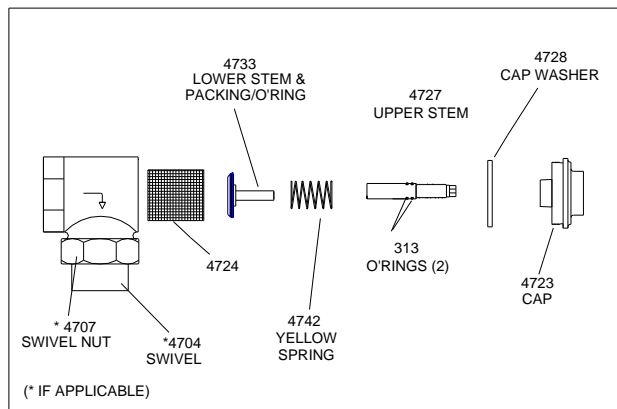
Note: Provide serial number when ordering parts for each valve!

		LARGE VALVE	SMALL VALVE
PACKING & GASKETS	<ol style="list-style-type: none"> 1. Leaks at stem. 2. Leak between valve cover and base. 	Repair Kit # 1/200Y	Repair Kit # 1/26 (Packings & Gaskets)
PORT SLEEVE/BRIDGE ASSEMBLY	<ol style="list-style-type: none"> 3. Valve delivers either all hot or all cold water, or will not mix consistently. 	Repair Kit # R/200N	Repair Kit #R/28 (Rebuilding Kit) or TM28-1-8B Bridge Assembly
THERMOSTAT GROUP	<ol style="list-style-type: none"> 4. After cleaning or replacing port sleeve/ bridge assembly, valve performance is not consistent. 	Repair Kit # R/200N	Repair Kit #R/28 (Rebuilding Kit) or TM-28-G2 Thermostat Group
CHECKSTOPS	<ol style="list-style-type: none"> 5. Hot water by-pass into cold line(or cold into hot). 6. Supplies cannot be shut off completely. Supplies leak at checkstop bonnets. 	Repair Kit #2/200Y	Repair Kit #4/M20 (Checkstop Kit)

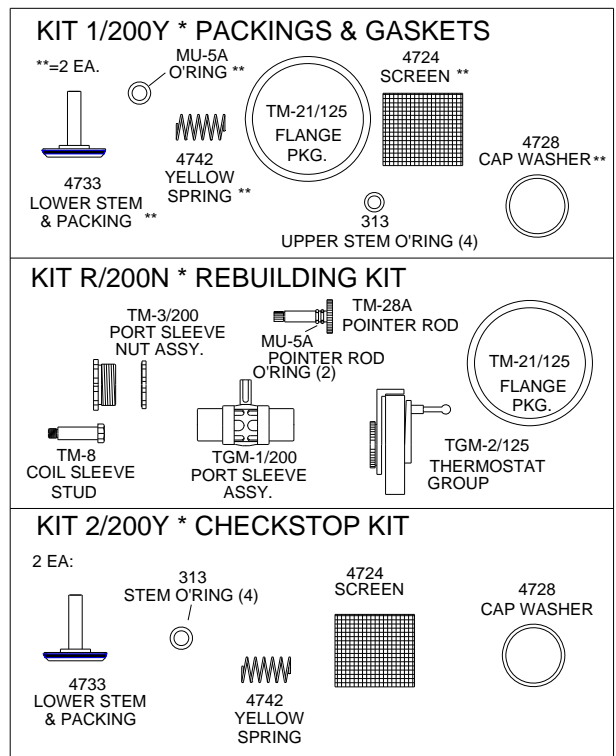
LARGE TM VALVE PARTS



CHECKSTOP PARTS



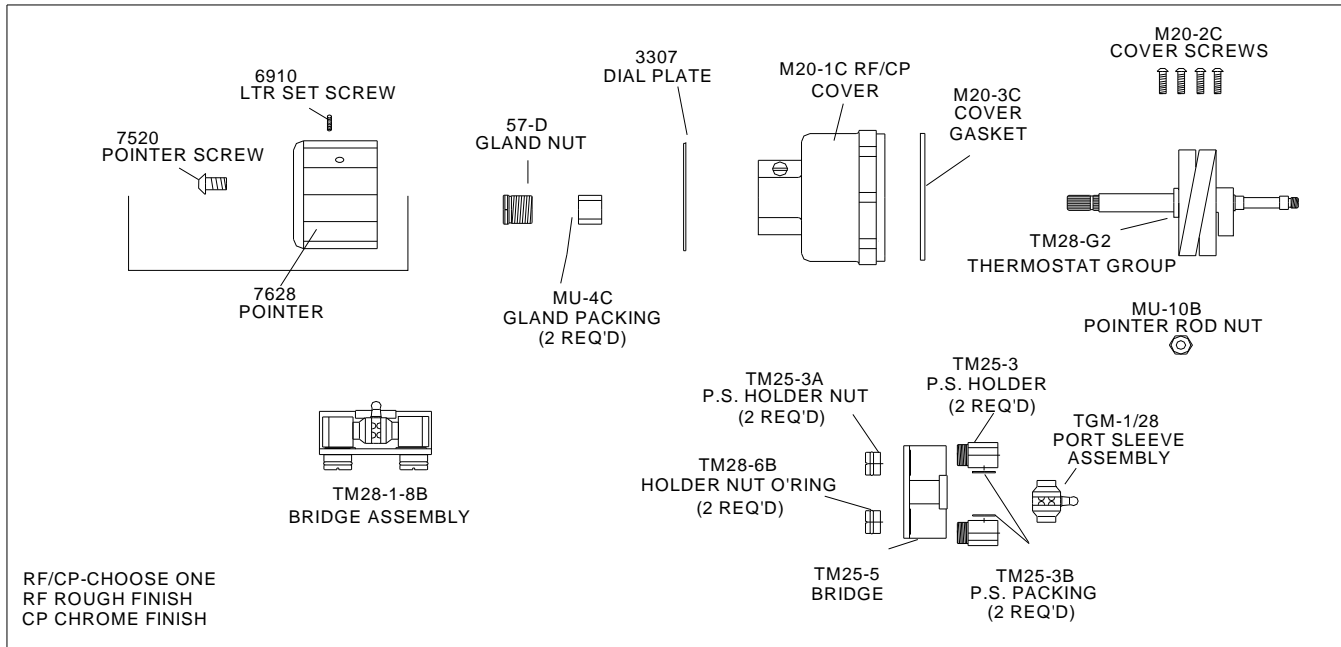
REPAIR KITS



REMEMBER! THIS IS A CONTROL DEVICE WHICH MUST BE CLEANED AND MAINTAINED ON A REGULAR BASIS (SEE MAINTENANCE GUIDE AND RECORD)

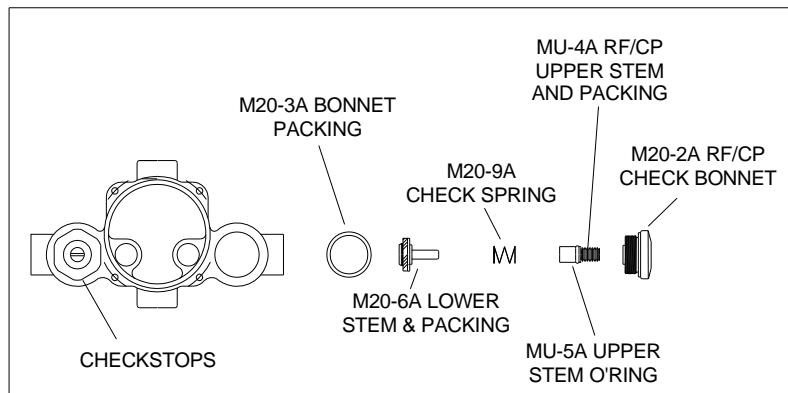
NOTE: AFTER INSTALLING NEW PARTS IT WILL BE NECESSARY TO RESET THE ADJUSTABLE HIGH TEMPERATURE LIMIT STOP ON EACH VALVE (SEE PAGE 2).

SMALL TM-26 VALVE PARTS

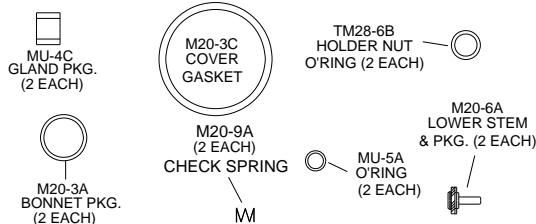


REPAIR KITS

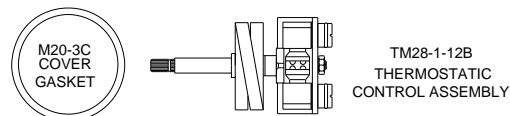
CHECKSTOP PARTS



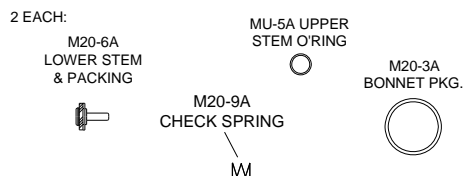
KIT 1/26 PACKINGS & GASKETS



KIT R/28 REBUILDING KIT



KIT 4/M20 CHECKSTOP KIT

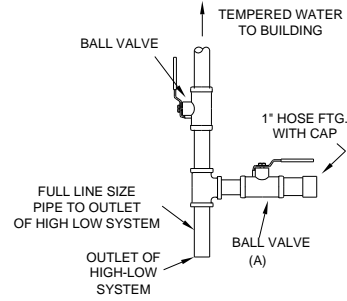


REMEMBER! THIS IS A CONTROL DEVICE WHICH MUST BE CLEANED AND MAINTAINED ON A REGULAR BASIS (SEE MAINTENANCE GUIDE AND RECORD).

NOTE: AFTER INSTALLING NEW PARTS IT WILL BE NECESSARY TO RESET THE ADJUSTABLE HIGH TEMPERATURE LIMIT STOP ON EACH VALVE (SEE PAGE 2).

**OPTIONAL OUTLET SETUP PIPING
(BY OTHERS)**

The addition of this piping arrangement (extra tee and ball valve) eliminates the need to turn showers on and off throughout the building at setup. The flows required in the setup instructions (page 3) are set by using Ball Valve A. (make sure main outlet ball valve is closed).



CAUTION! ALL THERMOSTATIC WATER MIXING VALVES AND SYSTEMS HAVE LIMITATIONS! THEY WILL NOT PROVIDE THE DESIRED PERFORMANCE OUTSIDE OF THEIR FLOW CAPACITY RANGE! CONSULT THE CAPACITY CHART BELOW AND OBSERVE MINIMUM FLOWS SHOWN.

FLOW CAPACITIES

MINIMUM FLOW (GPM) (l/min)	PRESSURE DROP (PSIG)										
	5	10	15	20	25	30	35	40	45	50	PSI
	.3	.7	.97	1.4	1.7	2.1	2.4	2.8	3.1	3.4	BAR
1.0 (3.8)	78 295	113 428	129 488	145 549	163 617	172 651	188 712	197 746	214 810	226 856	GPM l/min

LIMITED WARRANTY

Leonard Valve Company (hereinafter, “Leonard”) warrants the original purchaser that products manufactured by Leonard will be free from defects in material or workmanship under normal conditions of use, when properly installed and maintained in accordance with Leonard’s instructions, for a period of one year from the date of shipment. During this period, Leonard will at its option repair or replace any product, or part thereof, which shall be returned, freight prepaid, to the Leonard factory and determined by Leonard to be defective in materials or workmanship. Leonard provides no warranty, express or implied, which extends beyond the description contained herein. LEONARD SPECIFICALLY DISCLAIMS ANY AND ALL IMPLIED WARRANTIES OF MERCHANTABILITY OR OF FITNESS FOR A PARTICULAR PURPOSE. Nonetheless, some jurisdictions may not allow the disclaimer of certain implied warranties, in which case Leonard hereby limits such implied warranties to the duration of the limited warranty period contained herein. Some jurisdictions may not allow limitations on how long an implied warranty lasts, so the foregoing durational limitation may not apply to you. In no event will Leonard be liable for labor or incidental or consequential damages. Any alteration or improper installation or use of this product will void this limited warranty. If any provision of this limited warranty is prohibited by law in the applicable jurisdiction, such provision shall be null and void, but the remainder of this limited warranty shall continue in full force and effect.



LETTER OF TRANSMITTAL

TO: *Kinco Constructors*

DATE: August 8, 2023

RE: *LRSD Rockefeller EC Center*

JOB NO.: 22-046

ATTN: Mr. Casey Sowell/ Mr. Andrew McCarty

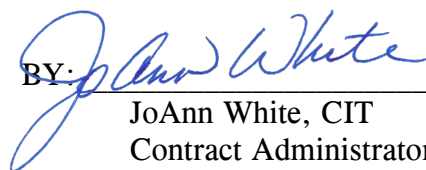
COPIES	DATE	NO.	DESCRIPTION
1 Emailed	07/28/23	22 40 00-1	Plumbing Fixtures

THESE ARE TRANSMITTED:

- For Approval As Requested Reviewed for General Compliance Resubmit ___ copies for approval
- For Your Use For Review and Comment Reviewed and Noted Submit ___ copies for distribution
- For Your Information Revise and Resubmit Comments Return ___ corrected prints

REMARKS:

COPY TO: Job File

BY: 

 JoAnn White, CIT
 Contract Administrator



201 S Chester
Little Rock, AR 72201
501.237.3077

Submittal Comment Sheet

Project Name: Rockefeller Pre-K Renovation

Project Number:22-050

Date Received: 07/28/2023

Date Returned:08/07/2023

Reviewed By: N. Santos

1. WC-1
 - a. Approved
2. WC-2
 - a. Approved
3. WC-3
 - a. Approved
4. LAV-1
 - a. Approved
5. LAV-2
 - a. Approved
6. UR-1
 - a. Approved
7. S-1
 - a. Approved
8. S-2
 - a. Approved
9. S-3
 - a. Approved
10. S-4
 - a. Approved
11. SS-1
 - a. Approved

End of Comments



THE CONSULTANTS OF RECORD FOR THIS PROJECT HAVE REVIEWED THESE SHOP DRAWINGS. THE CONSULTANTS' COMMENTS AND REVIEW STAMP ARE APPLICABLE FOR THEIR PORTION OF THE WORK. THE REVIEW AND CHECKING OF THE REFERENCED SUBMITTED DOCUMENTS IS FOR GENERAL CONFORMANCE WITH THE DESIGN INTENT OF THE PROJECT AND GENERAL COMPLIANCE WITH THE INFORMATION GIVEN IN THE CONTRACT DOCUMENTS. ANY ACTION SHOWN IS SUBJECT TO THE REQUIREMENTS OF THE PLANS AND SPECIFICATIONS. REVIEW IS NOT CONDUCTED FOR THE PURPOSE OF DETERMINING THE ACCURACY AND COMPLETENESS OF OTHER DETAILS, SUCH AS DIMENSIONS AND QUANTITIES, FOR SUBSTANTIATING INSTRUCTIONS FOR INSTALLATION OR PERFORMANCE OF EQUIPMENT OR SYSTEMS, OR FOR COORDINATION OF THE WORK OF ALL TRADES, ALL OF WHICH REMAIN THE RESPONSIBILITY OF THE CONTRACTOR AS REQUIRED BY THE CONTRACT DOCUMENTS. CONTRACTOR IS RESPONSIBLE FOR ALL QUANTITIES.





Submittal #22 40 00-1.0

22 40 00 - PLUMBING FIXTURES

Central Arkansas
12600 Lawson Road
Little Rock, Arkansas 72210
Phone: (501) 225-7606
Fax: (501) 225-1028

Project: 23.1004 - 23.1004 LRSD Rockefeller Early Childhood Center
(WDD #22-046)
700 East 17th Street
Little Rock, 72206

Plumbing Fixtures

SPEC SECTION:	22 40 00 - PLUMBING FIXTURES	SUBMITTAL MANAGER:	Andrew McCarty (Kinco Constructors, LLC)
STATUS:	Open	DATE CREATED:	07/17/2023
ISSUE DATE:	07/17/2023	REVISION:	0
RESPONSIBLE CONTRACTOR:	Comfort Systems USA Arkansas, Inc.	RECEIVED FROM:	Matt Aldridge
RECEIVED DATE:		SUBMIT BY:	
FINAL DUE DATE:	07/31/2023	LOCATION:	
TYPE:	Product Data	COST CODE:	
APPROVERS:	JoAnn White (Wittenberg, Delony & Davidson, Inc)		
BALL IN COURT:	JoAnn White (Wittenberg, Delony & Davidson, Inc)		
DISTRIBUTION:			
DESCRIPTION:			
ATTACHMENTS:	22 40 00-01 Plumbing Fixtures.pdf		

SUBMITTAL WORKFLOW

NAME	SUBMITTER/ APPROVER	SENT DATE	DUE DATE	RETURNED DATE	RESPONSE	ATTACHMENTS	COMMENTS
Andrew McCarty	Submitter		7/17/2023	7/28/2023	Submitted	22 40 00-01 Plumbing Fixtures.pdf	Kinco Reviewed
JoAnn White	Approver	7/28/2023	7/31/2023		Pending		

BY _____ DATE _____ COPIES TO _____

WC-1



Highcliff™ Ultra

Top spud flushometer bowl
K-96057

Features

- Elongated bowl offers added room and comfort
- 1-1/2" (38 mm) top spud
- 2-1/8" (54 mm) fully glazed trapway
- 10" x 7" (254 mm x 178 mm) water surface
- 1.0 gpf (3.8 lpf), 1.1 gpf (4.2 lpf), 1.28 (4.8 lpf), or 1.6 gpf (6.0 lpf) depending on flushometer specified
- Also available with antimicrobial finish K-96057-SS
- 10" or 12" (254 or 305 mm) rough-in
- Supports static load of 2,500 lbs

Material

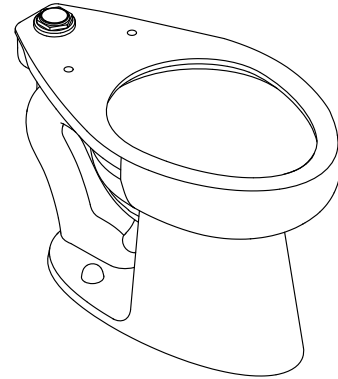
- Vitreous china

Technology

- Designed to outperform competitors in bowl cleanliness and plug resistance
- Maximum waste removal
- Engineered for toilet seat cover removal
- Excellent bowl rinse
- Engineered to flush effectively in buildings with low supply pressure and flow
- Maximum drain line carry at all flush volumes per ASME standard

Installation

- Replaces Highcrest K-4302, Highcliff K-4368 and Highline K-4405. Height and footprint may vary



ADA **CSA B651** **OBC**

Codes/Standards



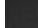
ASME A112.19.2/CSA B45.1
DOE - Energy Policy Act 1992
EPA WaterSense™
California Energy Commission (CEC)
ADA
ICC/ANSI A117.1
CSA B651
OBC

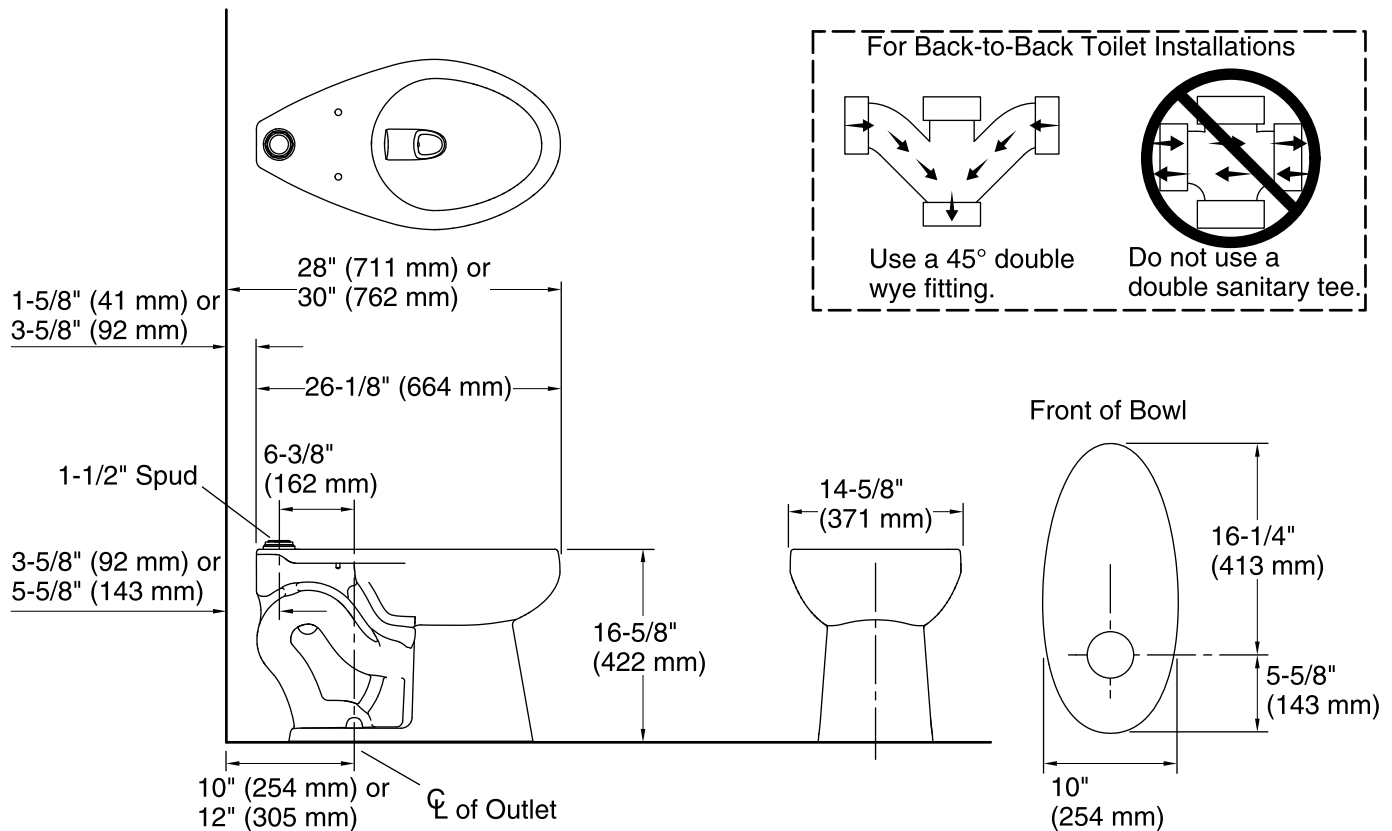
KOHLER® One-Year Limited Warranty

See website for detailed warranty information.

Available Colors/Finishes

Color tiles intended for reference only.

Color	Code	Description
	0	White
	96	Biscuit
	7	Black Black™



Technical Information

All product dimensions are nominal.

Toilet type:	Floor-mount
Waste Outlet:	Floor
Bowl shape:	Elongated
Flush type:	Flushometer valve siphon
Spud size:	1 1/2, Inlet, Top
Trap passageway:	2-1/8" (54 mm)
Water surface size:	10" x 7" (254 mm x 178 mm)
Rim to water surface:	6" (152 mm)
Rough-in:	12" (305 mm)
Seat-mounting holes:	5-1/2" (140 mm)

Fixture Supply Requirements

Min static pressure:	35 psi (241.3 kPa)
Max static pressure:	80 psi (551.6 kPa)
Min flowing pressure:	25 psi (172.4 kPa)

Notes

Install this product according to the installation instructions.

For back-to-back toilet installations: Use only a 45° double wye fitting.

ADA, OBC, CSA B651 compliant when installed to the specific requirements of these regulations.

Plumbing codes may require elongated toilets and elongated, open-front seats in public bathrooms.

Accessibility standards may require controls to be located on the open side of the toilet.

CODE NUMBER

3780010

DESCRIPTION

1.6 gpf, Dual-Filtered Fixed Bypass Diaphragm, Polished Chrome Finish, Fixture Connection Top Spud, Single Flush, Sloan® Exposed Manual Water Closet Flushometer.

DETAILS

- **Flush Volume: 1.6 gpf (6.0 Lpf)**
- Finish: Polished Chrome (CP)
- Valve: Diaphragm
- Bypass: Dual-Filtered Fixed Bypass Diaphragm (DFB)
- Valve Body Material: Semi-red Brass
- Fixture Type: Water Closet
- Fixture Connection: Top Spud
- Rough-In Dimension: 11 ½" (292mm)
- Spud Coupling: 1 ½" (38mm)
- Supply Pipe: 1" (25mm)

FEATURES

- High Chloramine Resistant PERMEX® Synthetic Rubber DFB Dual Filtered Bypass Diaphragm
- 1" I.P.S. Screwdriver Bak-Chek® Angle Stop with Vandal Resistant Stop Cap
- Vacuum Breaker with Flush Connection
- Spud Coupling and Spud Flange for 1½" Top Spud
- Sweat Solder Adapter with Cover Tube and Cast Wall Flange
- Non-Hold-Open Handle and No External Volume Adjustment to Ensure Water Conservation
- Diaphragm, Handle Packing and Vacuum Breaker Molded from PERMEX® Rubber Compound for Chloramine Resistance
- ADA Compliant Metal Oscillating Non-Hold-Open Handle

**COMPLIANCES & CERTIFICATIONS**

(ADA Compliant, BAA Compliant, cUPC Certified, UL Certified, Made in the USA)

RECOMMENDED SPECIFICATION

Valve Body, Cover, Tailpiece and Control Stop shall be in conformance with ASTM Alloy Classification for Semi- Red Brass. Valve shall be in compliance with the applicable sections of ASSE 1037 and ANSI/ASME 112.19.2.

VALVE OPERATING PRESSURE (FLOWING)

15–80 PSI (103–552 kPa). Specific fixtures may require greater minimum flowing pressure - consult manufacturer requirements.

DOWNLOADS

- [Sloan Exposed Installation Instructions](#)
- [Sloan Exposed \(Spanish\) Installation Instructions](#)
- [Control Stop Repair and Maintenance Guide](#)
- [Flush Connections Flanges Repair and Maintenance Guide](#)
- [Tail Piece Repair and Maintenance Guide](#)
- [Sloan Flushometer Repair and Maintenance Guide](#)
- [Sloan/Regal ESS Repair and Maintenance Guide](#)
- [Flushometer Pressure gauges](#)
- [Additional Downloads](#)

NOTES

All information contained within this document subject to change without notice.

Looking for other variations of the SLOAN 111 product? [View the general spec sheet with all options.](#)

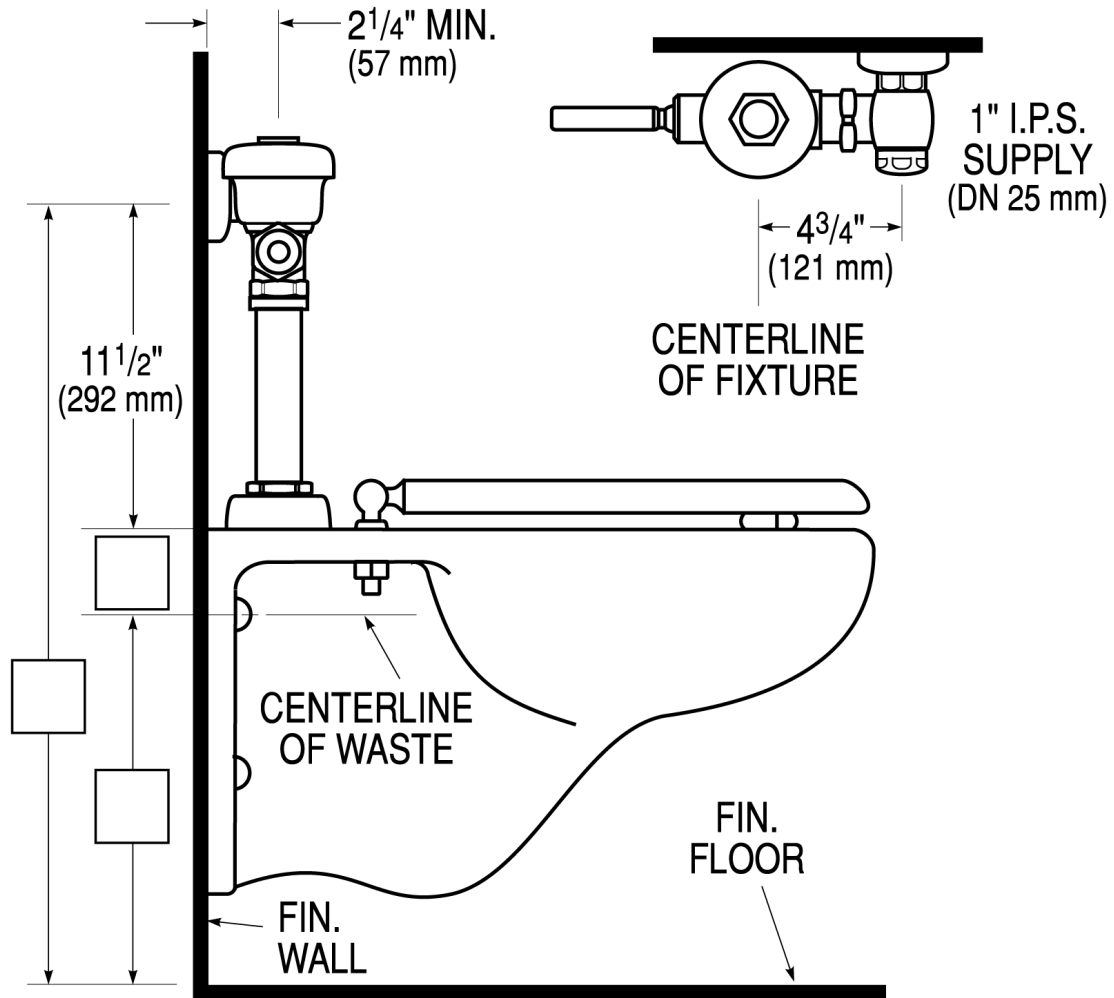
[Find a compatible urinal](#) for this flushometer.

[Find a compatible water closet](#) for this flushometer.

Sloan 10500 Seymour Ave, Franklin Park, IL 60131

Phone: 800.982.5839 • Fax: 800.447.8329 • sloan.com

ROUGH-IN



Sloan 10500 Seymour Ave, Franklin Park, IL 60131
Phone: 800.982.5839 • Fax: 800.447.8329 • sloan.com

COMMERCIAL HEAVY DUTY



Product Specifications

Shape	Elongated
Seat Material	Polypropylene
Seat Form	Open front
Commercial Hinge	Yes
Bolt Material	Stainless steel
Hardware Material	Stainless Steel
Check Hinge	Yes
Cover	No
Custom Gasket	Yes
Color	White

Warranty	1 year limited warranty
-----------------	-------------------------

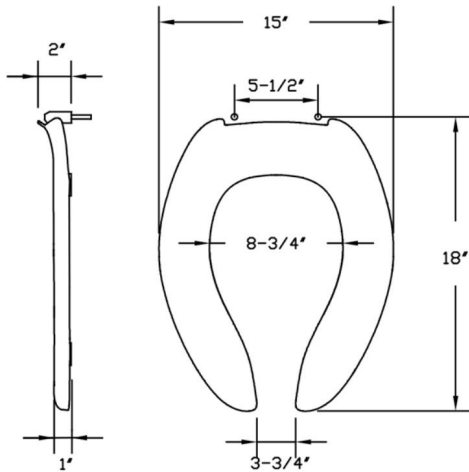
Available Colors

White, black, crane white, bone, biscuit,

Features

Commercial Hinge

Includes commercial grade hinges. One piece solid metal hinge pin and bolt over molded with plastic.



Dimensions shown are nominal and may vary within a range of tolerance. Product specifications are subject to change without notice.

WC-2



Wellcomme™ Ultra

Top spud flushometer bowl
K-96053

Features

- Elongated, Standard height bowl
- 1-1/2" (38 mm) top spud
- 10" x 7" (254 mm x 178 mm) water surface
- 2-1/8" (54 mm) fully glazed trapway
- 10" or 12" (254 or 305 mm) rough-in
- 1.0 gpf (3.8 lpf), 1.1 gpf (4.2 lpf), 1.28 (4.8 lpf), or 1.6 gpf (6.0 lpf) depending on flushometer specified
- Also available with antimicrobial finish K-96053-SS

Material

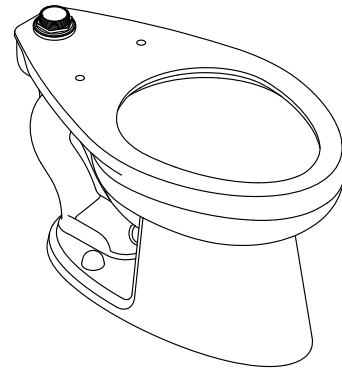
- Vitreous china

Technology

- Designed to outperform competitors in bowl cleanliness and plug resistance
- Maximum waste removal
- Engineered for toilet seat cover removal
- Excellent bowl rinse
- Engineered to flush effectively in buildings with low supply pressure and flow
- Maximum drain line carry at all flush volumes per ASME standard

Installation

- Replaces Wellcomme K-4350 and Wellworth K-4406. Height and footprint may vary



Codes/Standards



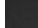
ASME A112.19.2/CSA B45.1
DOE - Energy Policy Act 1992
EPA WaterSense™
California Energy Commission (CEC)

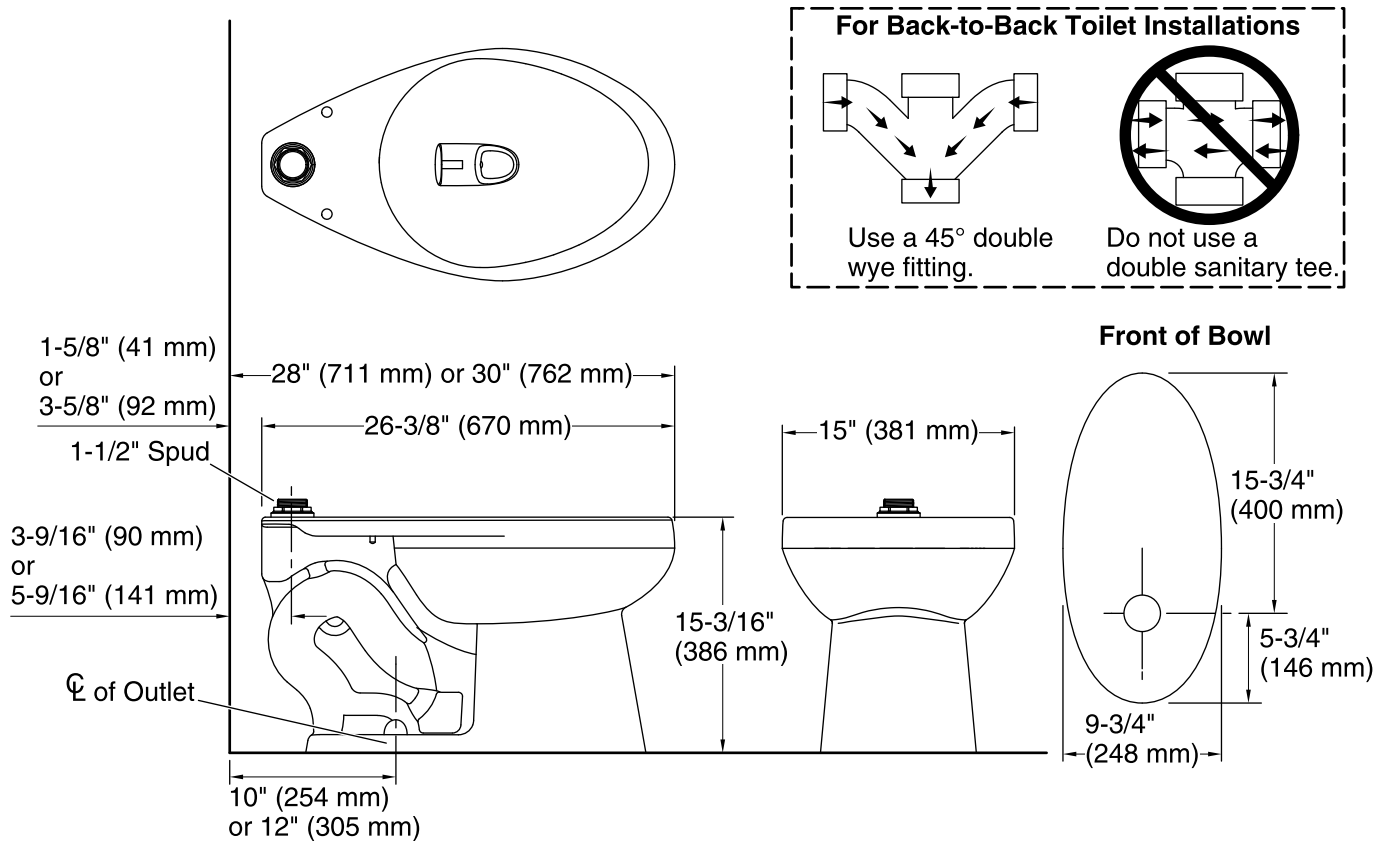
KOHLER® One-Year Limited Warranty

See website for detailed warranty information.

Available Colors/Finishes

Color tiles intended for reference only.

Color	Code	Description
	0	White
	96	Biscuit
	7	Black Black™



Technical Information

All product dimensions are nominal.

Toilet type:	Floor-mount
Waste Outlet:	Floor
Bowl shape:	Elongated
Flush type:	Flushometer valve siphon
Spud size:	1 1/2, Inlet, Top
Trap passageway:	2-1/8" (54 mm)
Water surface size:	10" x 7" (254 mm x 178 mm)
Rim to water surface:	6" (152 mm)
Rough-in:	12" (305 mm)
Seat-mounting holes:	5-1/2" (140 mm)

Fixture Supply Requirements

Min static pressure:	35 psi (241.3 kPa)
Max static pressure:	80 psi (551.6 kPa)
Min flowing pressure:	25 psi (172.4 kPa)

Notes

Install this product according to the installation instructions.

For back-to-back toilet installations: Use only a 45° double wye fitting.

If Fixture Supply Pressure is below 35 psi static, then fixture must be paired with a valve rated at 1.28 gpf or greater.

CODE NUMBER

3780010

DESCRIPTION

1.6 gpf, Dual-Filtered Fixed Bypass Diaphragm, Polished Chrome Finish, Fixture Connection Top Spud, Single Flush, Sloan® Exposed Manual Water Closet Flushometer.

DETAILS

- Flush Volume: 1.6 gpf (6.0 Lpf)
- Finish: Polished Chrome (CP)
- Valve: Diaphragm
- Bypass: Dual-Filtered Fixed Bypass Diaphragm (DFB)
- Valve Body Material: Semi-red Brass
- Fixture Type: Water Closet
- Fixture Connection: Top Spud
- Rough-In Dimension: 11 ½" (292mm)
- Spud Coupling: 1 ½" (38mm)
- Supply Pipe: 1" (25mm)

FEATURES

- High Chloramine Resistant PERMEX® Synthetic Rubber DFB Dual Filtered Bypass Diaphragm
- 1" I.P.S. Screwdriver Bak-Chek® Angle Stop with Vandal Resistant Stop Cap
- Vacuum Breaker with Flush Connection
- Spud Coupling and Spud Flange for 1½" Top Spud
- Sweat Solder Adapter with Cover Tube and Cast Wall Flange
- Non-Hold-Open Handle and No External Volume Adjustment to Ensure Water Conservation
- Diaphragm, Handle Packing and Vacuum Breaker Molded from PERMEX® Rubber Compound for Chloramine Resistance
- ADA Compliant Metal Oscillating Non-Hold-Open Handle



COMPLIANCES & CERTIFICATIONS



(ADA Compliant, BAA Compliant, cUPC Certified, UL Certified, Made in the USA)

RECOMMENDED SPECIFICATION

Valve Body, Cover, Tailpiece and Control Stop shall be in conformance with ASTM Alloy Classification for Semi- Red Brass. Valve shall be in compliance with the applicable sections of ASSE 1037 and ANSI/ASME 112.19.2.

VALVE OPERATING PRESSURE (FLOWING)

15–80 PSI (103–552 kPa). Specific fixtures may require greater minimum flowing pressure - consult manufacturer requirements.

DOWNLOADS

- [Sloan Exposed Installation Instructions](#)
- [Sloan Exposed \(Spanish\) Installation Instructions](#)
- [Control Stop Repair and Maintenance Guide](#)
- [Flush Connections Flanges Repair and Maintenance Guide](#)
- [Tail Piece Repair and Maintenance Guide](#)
- [Sloan Flushometer Repair and Maintenance Guide](#)
- [Sloan/Regal ESS Repair and Maintenance Guide](#)
- [Flushometer Pressure gauges](#)
- [Additional Downloads](#)

NOTES

All information contained within this document subject to change without notice.

Looking for other variations of the SLOAN 111 product? [View the general spec sheet with all options.](#)

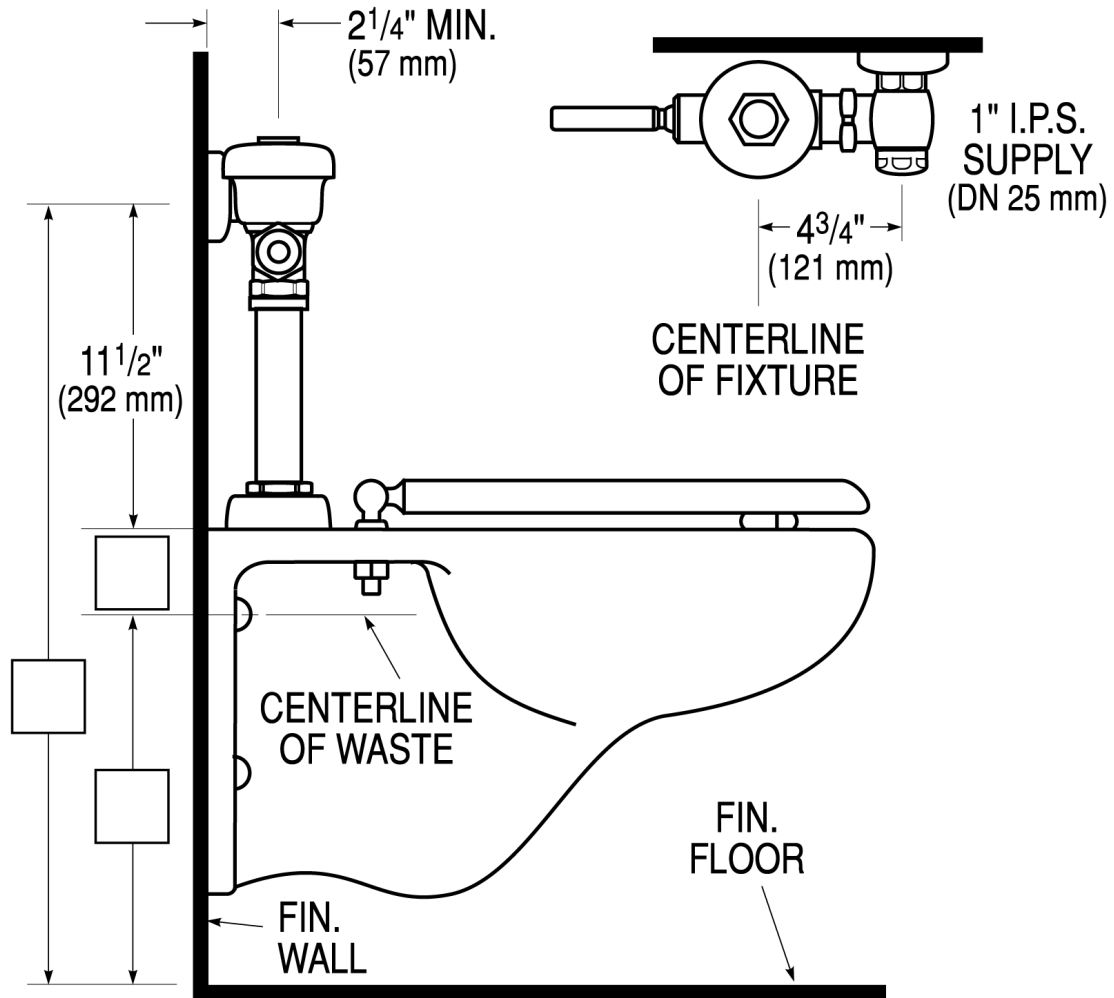
[Find a compatible urinal](#) for this flushometer.

[Find a compatible water closet](#) for this flushometer.

Sloan 10500 Seymour Ave, Franklin Park, IL 60131

Phone: 800.982.5839 • Fax: 800.447.8329 • sloan.com

ROUGH-IN



Sloan 10500 Seymour Ave, Franklin Park, IL 60131
Phone: 800.982.5839 • Fax: 800.447.8329 • sloan.com

COMMERCIAL HEAVY DUTY

Product Specifications

Shape	Elongated
Seat Material	Polypropylene
Seat Form	Open front
Commercial Hinge	Yes
Bolt Material	Stainless steel
Hardware Material	Stainless Steel
Check Hinge	Yes
Cover	No
Custom Gasket	Yes
Color	White

Warranty	1 year limited warranty
-----------------	-------------------------

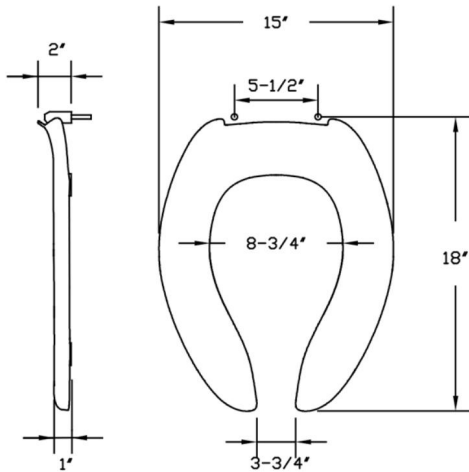
Available Colors

White, black, crane white, bone, biscuit,

Features

Commercial Hinge

Includes commercial grade hinges. One piece solid metal hinge pin and bolt over molded with plastic.



Dimensions shown are nominal and may vary within a range of tolerance. Product specifications are subject to change without notice.

WC-3

Features

- Elongated, 10-1/2" height bowl
- 1-1/2" (38 mm) top spud
- 10" x 7" (254 mm x 178 mm) water surface
- 1-7/8" (48 mm) fully glazed trapway
- 10" or 12" (254 or 305 mm) rough-in
- 1.28 gpf - 1.6 gpf (4.8 - 6.0 lpf) flush range
- Includes the K-4686 toilet seat with scalloped handhold locations
- Also available with antimicrobial finish K-96064-SS

Material

- Vitreous china

Technology

- Designed to outperform competitors in bowl cleanliness and plug resistance
- Excellent bowl rinse
- Maximum drain line carry at 1.28 gpf per ASME Standard

Installation

- Children's height bowl
- Replaces Primary K-4321 and K-4384. Height and footprint may vary

Water Conservation & Rebates

- The ultra-low water consumption is ideal for water conservation and can help earn Water Efficiency points in the LEED™ Green Building Rating System



ADA

Codes/Standards

ASME A112.19.2/CSA B45.1
DOE - Energy Policy Act 1992
EPA WaterSense™
California Energy Commission (CEC)
ADA
ICC/ANSI A117.1

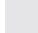
KOHLER® One-Year Limited Warranty

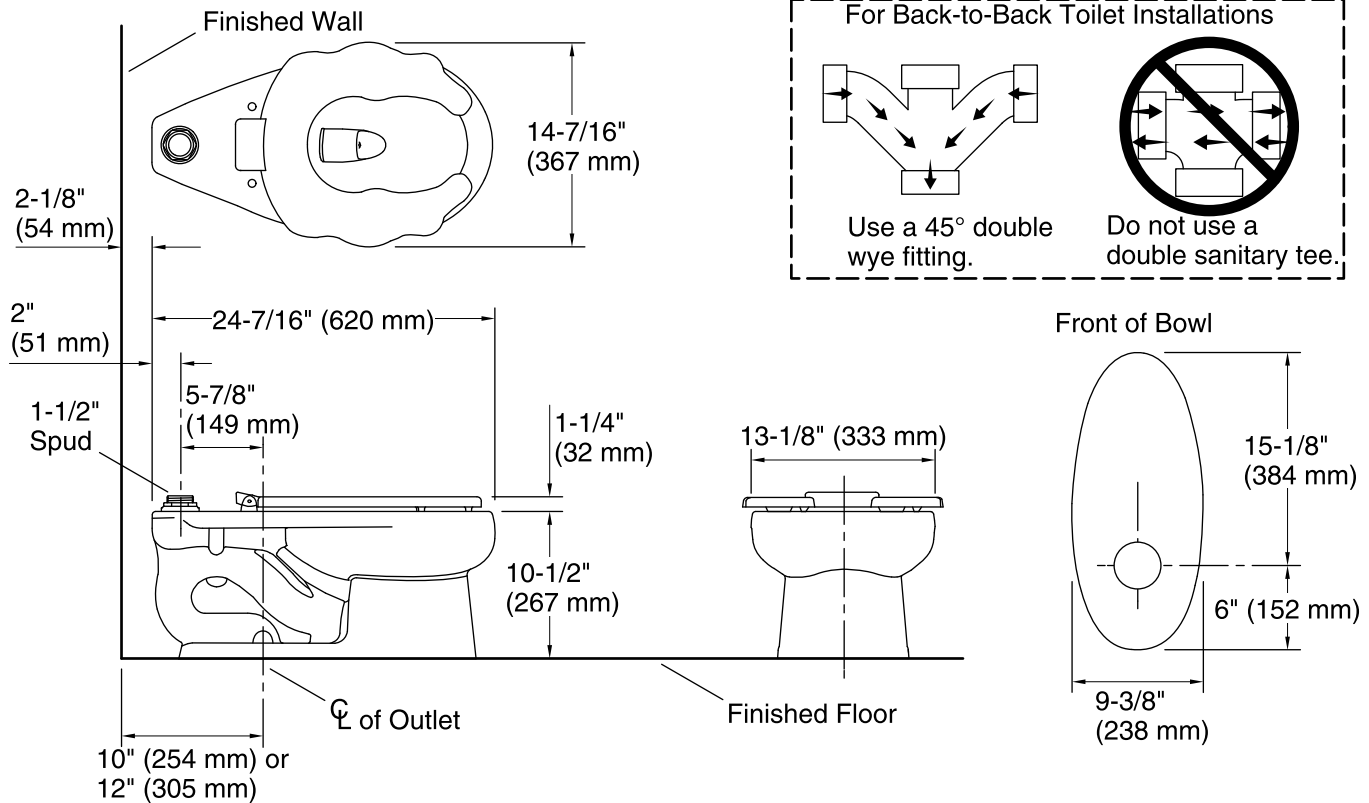
See website for detailed warranty information.

Available Colors/Finishes

Color tiles intended for reference only.

Color	Code	Description
-------	------	-------------

	0	White
---	---	-------



Technical Information

All product dimensions are nominal.

Toilet type:	Floor-mount
Waste Outlet:	Floor
Bowl shape:	Elongated
Flush type:	Flushometer valve siphon
Spud size:	1-1/2", Inlet, Top
Trap passageway:	1-15/16" (49 mm)
Water surface size:	10" x 7" (254 mm x 178 mm)
Rim to water surface:	4-3/8" (111 mm)
Rough-in:	12" (305 mm)

Fixture Supply Requirements

Min static pressure:	35 psi (241.3 kPa)
Max static pressure:	80 psi (551.6 kPa)
Min flowing pressure:	25 psi (172.4 kPa)
Min flow rate:	25 gpm (94.6 lpm)

Notes

Install this product according to the installation instructions.

For back-to-back toilet installations: Use only a 45° double wye fitting.

Requires flushometer valve to match desired water consumption 1.28 gpf (4.8 lpf) or 1.6 gpf (6 lpf).

ADA compliant when installed to the specific requirements of these regulations.

Plumbing codes may require elongated toilets and elongated, open-front seats in public bathrooms.

Accessibility standards may require controls to be located on the open side of the toilet.

CODE NUMBER

3780010

DESCRIPTION

1.6 gpf, Dual-Filtered Fixed Bypass Diaphragm, Polished Chrome Finish, Fixture Connection Top Spud, Single Flush, Sloan® Exposed Manual Water Closet Flushometer.

DETAILS

- Flush Volume: 1.6 gpf (6.0 Lpf)
- Finish: Polished Chrome (CP)
- Valve: Diaphragm
- Bypass: Dual-Filtered Fixed Bypass Diaphragm (DFB)
- Valve Body Material: Semi-red Brass
- Fixture Type: Water Closet
- Fixture Connection: Top Spud
- Rough-In Dimension: 11 ½" (292mm)
- Spud Coupling: 1 ½" (38mm)
- Supply Pipe: 1" (25mm)

FEATURES

- High Chloramine Resistant PERMEX® Synthetic Rubber DFB Dual Filtered Bypass Diaphragm
- 1" I.P.S. Screwdriver Bak-Chek® Angle Stop with Vandal Resistant Stop Cap
- Vacuum Breaker with Flush Connection
- Spud Coupling and Spud Flange for 1½" Top Spud
- Sweat Solder Adapter with Cover Tube and Cast Wall Flange
- Non-Hold-Open Handle and No External Volume Adjustment to Ensure Water Conservation
- Diaphragm, Handle Packing and Vacuum Breaker Molded from PERMEX® Rubber Compound for Chloramine Resistance
- ADA Compliant Metal Oscillating Non-Hold-Open Handle



COMPLIANCES & CERTIFICATIONS



(ADA Compliant, BAA Compliant, cUPC Certified, UL Certified, Made in the USA)

RECOMMENDED SPECIFICATION

Valve Body, Cover, Tailpiece and Control Stop shall be in conformance with ASTM Alloy Classification for Semi- Red Brass. Valve shall be in compliance with the applicable sections of ASSE 1037 and ANSI/ASME 112.19.2.

VALVE OPERATING PRESSURE (FLOWING)

15–80 PSI (103–552 kPa). Specific fixtures may require greater minimum flowing pressure - consult manufacturer requirements.

DOWNLOADS

- [Sloan Exposed Installation Instructions](#)
- [Sloan Exposed \(Spanish\) Installation Instructions](#)
- [Control Stop Repair and Maintenance Guide](#)
- [Flush Connections Flanges Repair and Maintenance Guide](#)
- [Tail Piece Repair and Maintenance Guide](#)
- [Sloan Flushometer Repair and Maintenance Guide](#)
- [Sloan/Regal ESS Repair and Maintenance Guide](#)
- [Flushometer Pressure gauges](#)
- [Additional Downloads](#)

NOTES

All information contained within this document subject to change without notice.

Looking for other variations of the SLOAN 111 product? [View the general spec sheet with all options.](#)

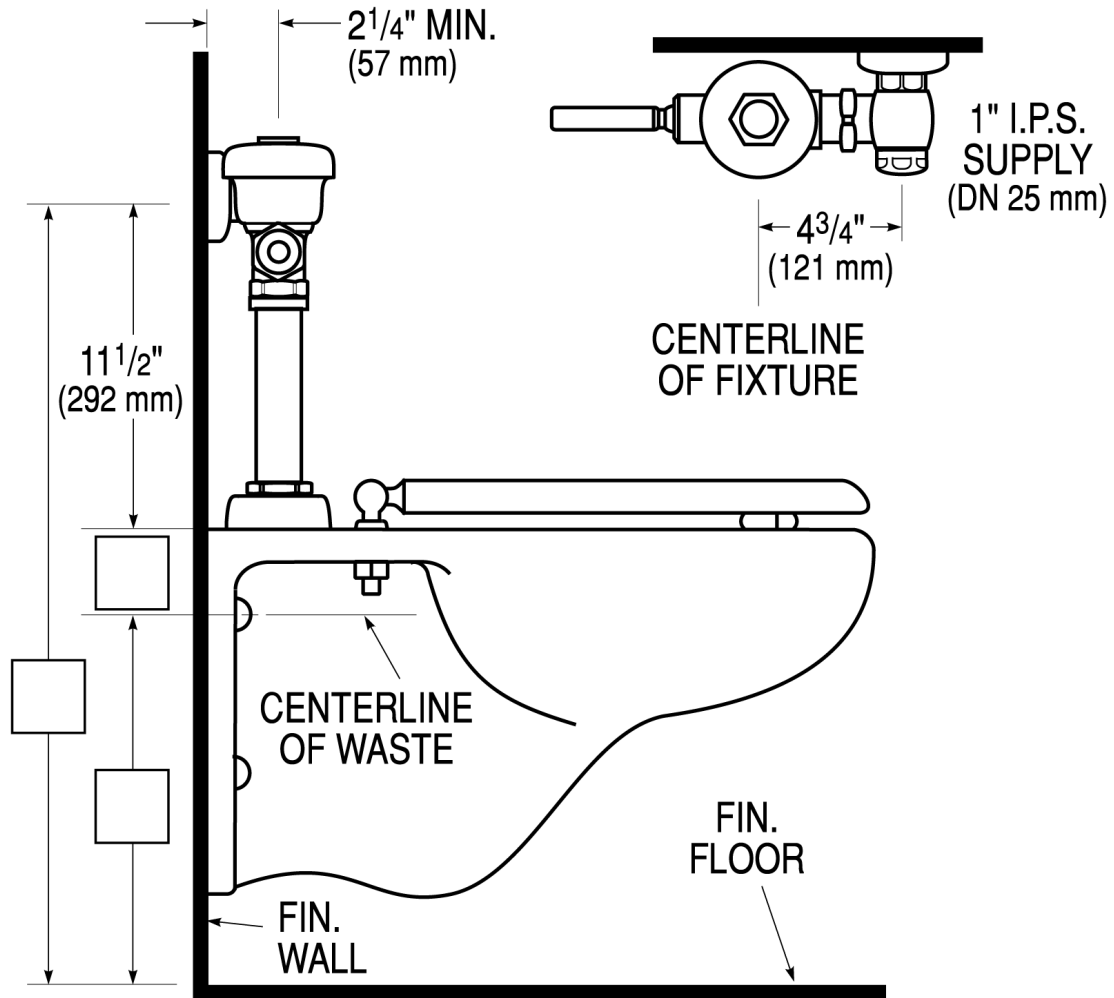
[Find a compatible urinal](#) for this flushometer.

[Find a compatible water closet](#) for this flushometer.

Sloan 10500 Seymour Ave, Franklin Park, IL 60131

Phone: 800.982.5839 • Fax: 800.447.8329 • sloan.com

ROUGH-IN



Sloan 10500 Seymour Ave, Franklin Park, IL 60131
Phone: 800.982.5839 • Fax: 800.447.8329 • sloan.com

LAV-1

Features

- Made from premium materials that withstand high-volume usage
- 19-1/4" L x 17-1/4" W
- Faucet sold separately
- Ledge-back
- Includes wall hanger

Material

- Vitreous china

Installation

- Wall-mount
- Drilled for concealed arm carrier installation

Recommended Products/Accessories

K-8998 P-Trap
K-23726 Drain treatment
K-23725 Cast iron cleaner



ADA

Codes/Standards

ASME A112.19.2/CSA B45.1
ADA
ICC/ANSI A117.1



KOHLER® One-Year Limited Warranty

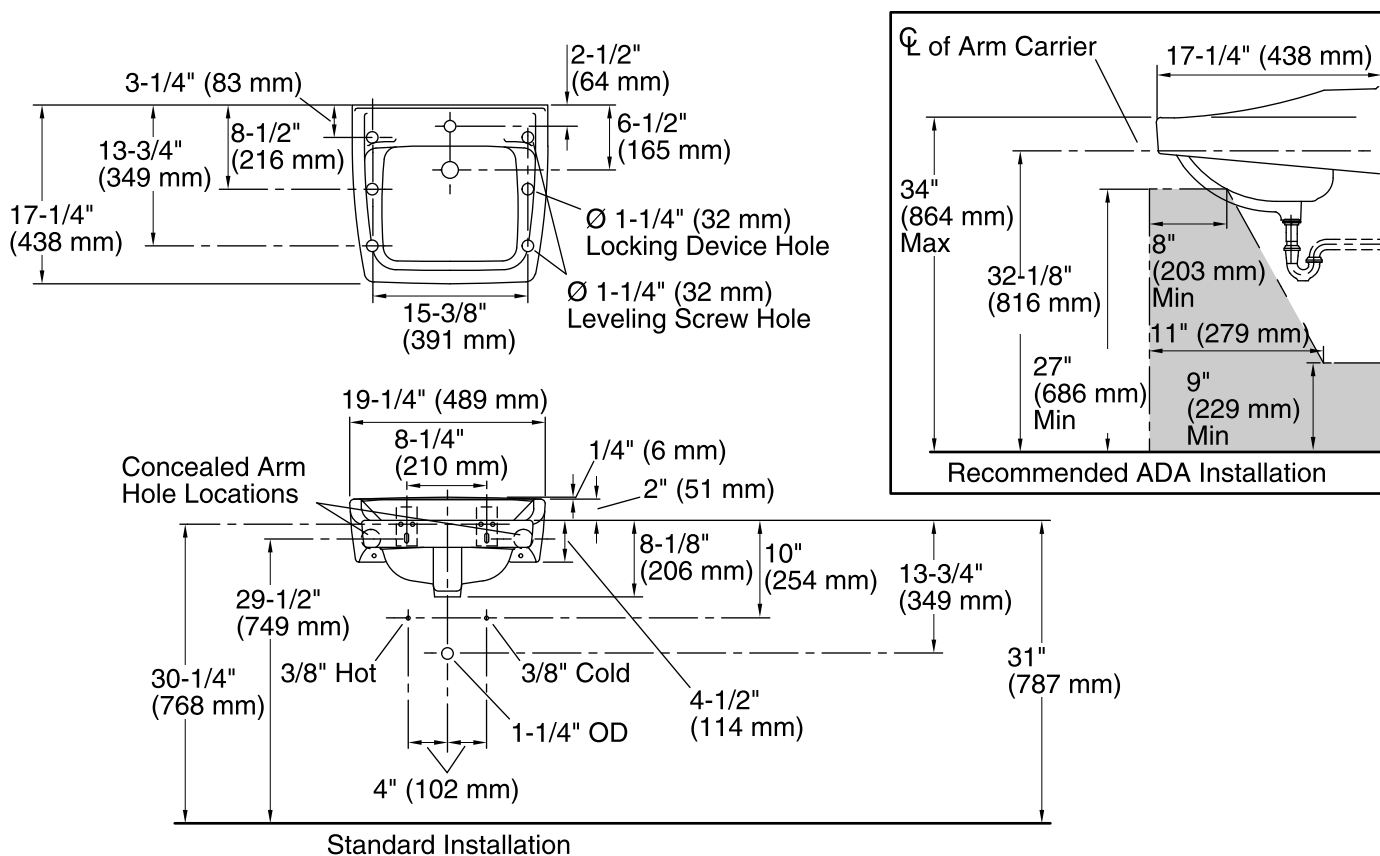
See website for detailed warranty information.

Available Colors/Finishes

Color tiles intended for reference only.

Color	Code	Description
-------	------	-------------

	0	White
	96	Biscuit



Technical Information

All product dimensions are nominal.

Bowl configuration:	Single
Installation:	Wall-mount
Bowl area (Only):	Length: 14" (356 mm) Width: 11" (279 mm) With overflow: Yes Water depth: 4-7/16" (113 mm)
With overflow:	Yes
Number of deck holes:	1
Faucet hole(s):	1-3/8" (35 mm)
Drain hole:	1-3/4" (44 mm)

Notes

Install this product according to the installation instructions.

ADA compliant when installed to the specific requirements of these regulations.

Features

- 3-15/16" (100 mm) spout reach
- 0.5 gpm (1.9 lpm) maximum flow rate
- Water-saving vandal-resistant aerator
- Single lever handle allows for both on/off activation and temperature setting
- High-temperature limit setting for added safety
- KOHLER ceramic disc valves exceed industry longevity standards for a lifetime of durable performance
- Grid drain
- Less lift rod, lift rod hole

Material

- Premium metal construction for durability and reliability
- KOHLER finishes resist corrosion and tarnishing

Installation

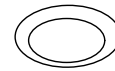
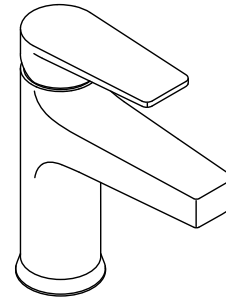
- Single-hole installation (escutcheon plate sold separately)
- Preattached flexible supply lines simplify installation

Recommended Products/Accessories

- K-23726 Drain treatment
- K-23723 Faucet cleaner

Optional Products/Accessories

- 1394616 Single hole escutcheon kit



ADA

CSA B651

OBC

Codes/Standards

ASME A112.18.1/CSA B125.1
NSF/ANSI/CAN 61
NSF/ANSI/CAN 372
All applicable US Federal and State material regulations
DOE - Energy Policy Act 1992
California Energy Commission (CEC)
ADA
ICC/ANSI A117.1
CSA B651
OBC

KOHLER® Faucet Lifetime Limited Warranty

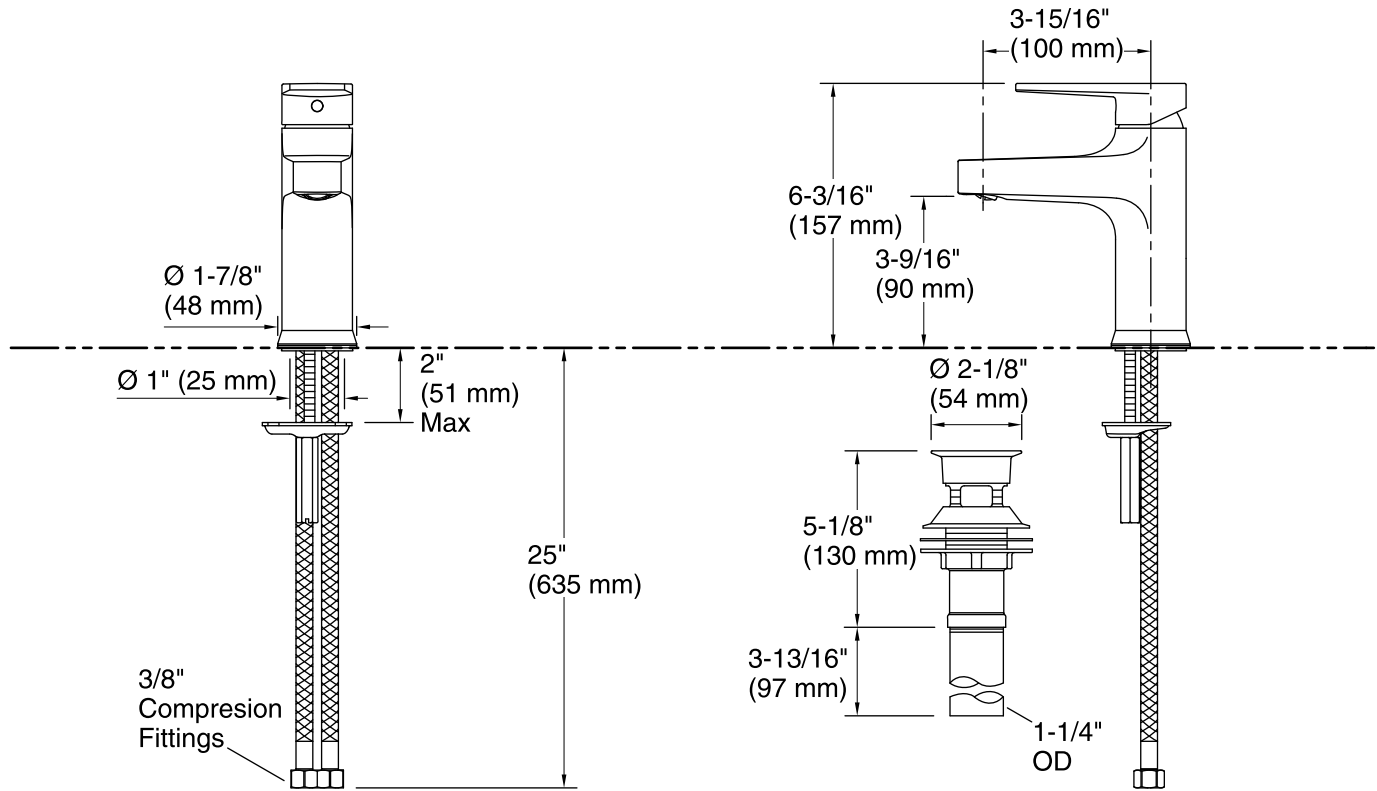
See website for detailed warranty information.

Available Colors/Finishes

Color tiles intended for reference only.

Color	Code	Description
-------	------	-------------

	CP	Polished Chrome
---	----	-----------------



Technical Information

All product dimensions are nominal.

Faucet:

Flow rate: 0.5 gal/min (1.9 l/min)

Pressure: 60 psi (4.1 bar)

Drain included: Yes

Spout:

Spout reach: 3-15/16" (100 mm)

Notes

Install this product according to the installation instructions.

ADA compliant for handles only.

ADA, OBC, CSA B651 compliant when installed to the specific requirements of these regulations.



**Dearborn®
Brass**

4675 W. 160th St.
Cleveland, Ohio 44135
Ph: (800) 321-9532
Fax: (800) 321-9535
www.dearbornbrass.com

SUBMITTAL SPECIFICATION

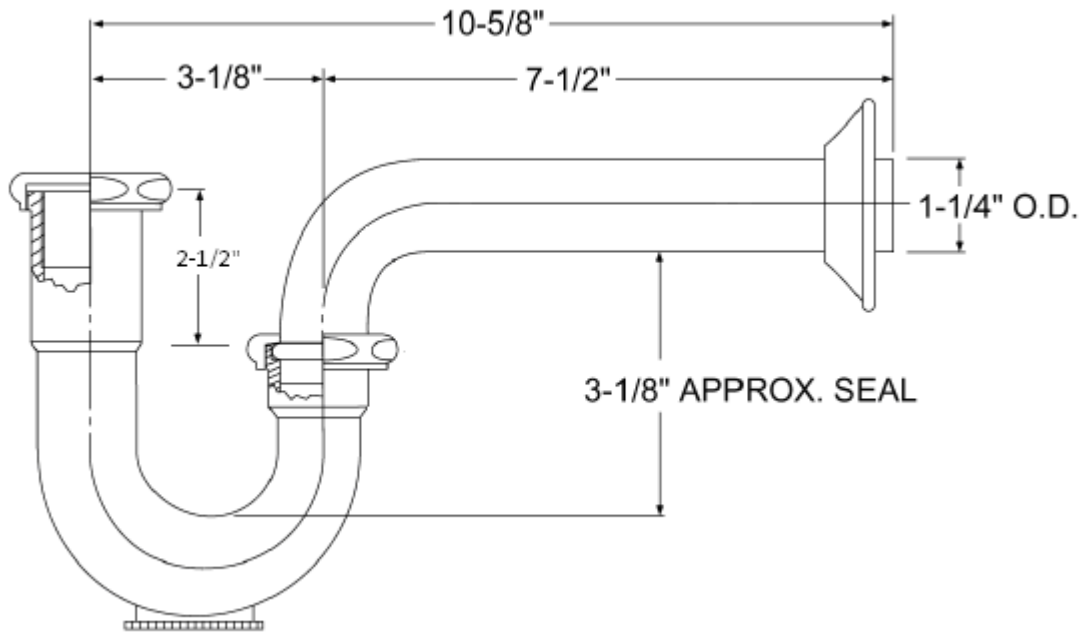
**BRASS TUBULAR
1-¼" P-TRAP WITH CLEANOUT**

Engineering Specification: Dearborn Brass 1-¼" Brass Tubular P-Trap with Cleanout are designed for use in tubular drain applications. Available in 17 or 20 Gauge Brass. Options include Brass Nuts, Deep Flange and Extended Wall Tube.

Job Reference

DESCRIPTION

- Chrome Finish
- 1-¼" P-Trap With Cleanout
 - (1) Metal Flange
 - (1) Quarter Bend
 - (1) J-Bend
 - (1) Cleanout Plug
 - (1) Fiber Cleanout Washer
 - (2) Rubber Washers
 - (2) Nuts



✓	Product No.	Description	Carton Quantity	Carton Weight (lbs)
	706-1	1-¼" P-Trap with Cleanout – 20 Ga.	10	11
x	707-1	1-¼" P-Trap with Cleanout – 17 Ga.	10	13
	707DF-1	1-¼" P-Trap with Cleanout – 17 Ga. w/ Deep Flange	10	13
	707A-1	1-¼" P-Trap with Cleanout – 17 Ga. w/ 10" Wall Tube	10	13
	707BN-1	1-¼" P-Trap with Cleanout – 17 Ga. w/ Brass Nuts	10	13

Data is subject to manufacturing tolerances.

For Residential and Commercial Applications

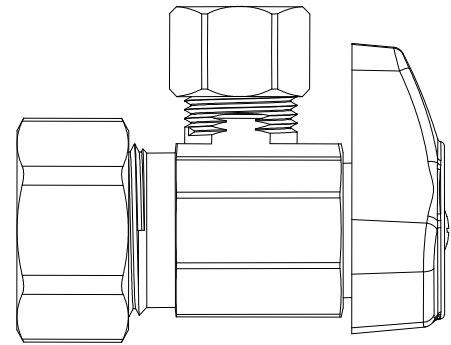
Job Name		Engineer / Architect	
Job Location		Wholesaler	
Submittal Date		Contractor	

G2CR09/ G2CR19/ G2CR39 1/4 Turn Angle Stop – Compression x Compression

Use: For use in potable water distribution systems. Not intended for recirculating water systems that produce continuous use temperatures above 115° F. For those applications, use our KT™ series ball stops.

Design Features:

- **One-piece shut-off mechanism** provides smooth on-off operation without freeze ups even after long periods of non-use
- **Positive 1/4 turn** shut off
- **Full-flow operation** with no waterway obstructions
- **Corrosion-resistant handle** is plated in an attractive chrome finish
- **Machined one-piece brass body** provides strength, durability, and long-lasting performance
- **Easy-to-remove handle** with screw attachment helps protect against accidental operation during rough-ins
- **100% Leak** tested
- **No Lead**
- **For use with** ASTM F876 PEX tubing, in ASTM F877 water distribution systems (parts containing PX and PXX only)
- **For use in** ASTM F877 water distribution systems as noted in Appendixes (parts containing PX and PXX only)



Operating Specifications:

Temperature: 40°- 140° F
Pressure: 125 PSI maximum

Standard

STOP MATERIAL SPECIFICATIONS	
Body	Brass
Stem Barrel	Santoprene
Stem Shaft	Glass-filled Polypropylene
O-ring	Rubber
Handle	Zinc die cast, chrome plated
Handle Screw	Zinc-plated steel
Compression Nut	Brass, chrome plated
Compression Sleeve	Brass
PEX Insert*	Stainless steel

No Lead

STOP MATERIAL SPECIFICATIONS	
Body	No-Lead brass
Stem Barrel	Santoprene
Stem Shaft	Glass-filled Polypropylene
O-ring	Rubber
Handle	Zinc die cast, chrome plated
Handle Screw	Zinc-plated steel
Compression Nut	Brass, chrome plated
Compression Sleeve	Brass
PEX Insert*	Stainless steel

*Where specified

This specification and all information contained herein is the confidential and exclusive property of BrassCraft Manufacturing, and shall not be disclosed to others without the written consent of BrassCraft. This specification must be returned to BrassCraft if requested.



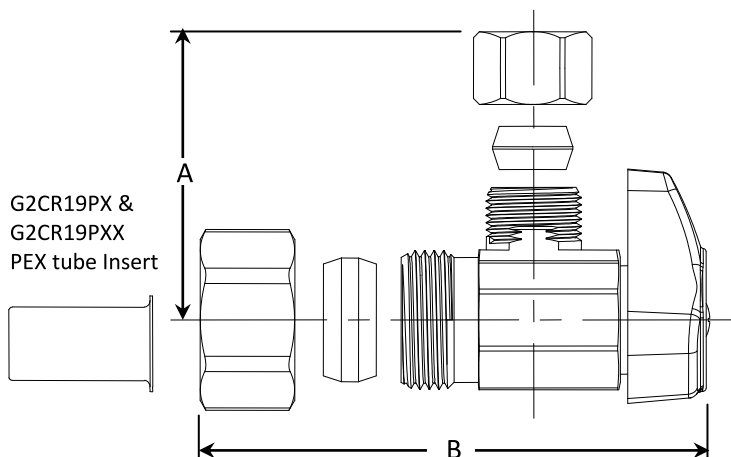
G2CR09/ G2CR19/ G2CR39 1/4 Turn Angle Stop – Compression x Compression

Standard Part Listing:

- G2CR09 C 1/2" nom compression x 1/4" OD compression, chrome plated
- G2CR09 C1 1/2" nom compression x 1/4" OD compression, chrome plated, window tray
- G2CR09 CD 1/2" nom compression x 1/4" OD compression, chrome plated, blister card
- G2CR09 R 1/2" nom compression x 1/4" OD compression, rough brass
- G2CR19 C 1/2" nom compression x 3/8" OD compression, chrome plated
- G2CR19 C1 1/2" nom compression x 3/8" OD compression, chrome plated, window tray
- G2CR19 CD 1/2" nom compression x 3/8" OD compression, chrome plated, blister card
- G2CR19 R 1/2" nom compression x 3/8" OD compression, rough brass
- G2CR19L1 CB 1/2" nom compression x 3/8" OD compression, less outlet nut, chrome plated, bulk
- G2CR19PX C 1/2" nom compression w/ PEX stainless steel insert x 3/8" OD compression, chrome plated
- G2CR39 C 1/2" nom compression x 1/2" OD compression, chrome plated
- G2CR39 C1 1/2" nom compression x 1/2" OD compression, chrome plated, window tray
- G2CR39 CD 1/2" nom compression x 1/2" OD compression, chrome plated, blister card
- G2CR39 R 1/2" nom compression x 1/2" OD compression, rough brass

No-Lead Part Listing:

- G2CR09X C 1/2" nom compression x 1/4" OD compression, chrome plated
- G2CR09X C1 1/2" nom compression x 1/4" OD compression, chrome plated, window tray
- G2CR09X CD 1/2" nom compression x 1/4" OD compression, chrome plated, blister card
- G2CR09X R 1/2" nom compression x 1/4" OD compression, rough brass
- G2CR19X C 1/2" nom compression x 3/8" OD compression, chrome plated
- G2CR19X C1 1/2" nom compression x 3/8" OD compression, chrome plated, window tray
- G2CR19X CD 1/2" nom compression x 3/8" OD compression, chrome plated, blister card
- G2CR19X R 1/2" nom compression x 3/8" OD compression, rough brass
- G2CR19PXX C 1/2" nom compression w/ PEX stainless steel insert x 3/8" OD compression, chrome plated
- G2CR19L1X CB 1/2" nom compression x 3/8" OD compression, less outlet nut, chrome plated, bulk
- G2CR39X CD 1/2" nom compression x 1/2" OD compression, chrome plated, blister card



PART DIMENSIONS (Inches)		
Model	DIM A	DIM B
G2CR09	1.02	2.16
G2CR19	1.02	2.16
G2CR19L1	.74	2.16
G2CR19PX	1.02	2.16
G2CR39	1.11	2.16

Listings & Certifications:

- IAPMO listed to ASME A112.18.1 / CSA B125.1 (File # 0645)
- CSA listed to ASME A112.18.1 / CSA B125.1 (File # 204593)
- No-Lead product CSA listed to Low Lead Content Certification Program – Plumbing Products Class 6853-01



This specification and all information contained herein is the confidential and exclusive property of BrassCraft Manufacturing, and shall not be disclosed to others without the written consent of BrassCraft. This specification must be returned to BrassCraft if requested.



ADA-compliant undersink protection

Submittal Sheet

General Description:

LAV GUARD® 2E-Z Series waste and supply piping covers satisfy ADA compliance requirements. Built-in E-Z Grip internal fasteners and internal, E-Z Tear-To-Fit trimming feature allow for fast installation without tools. Series #100 E-Z kits are designed to fit on all tubular and cast brass P-trap assemblies. Series #400 kits are the "original" LAV GUARD design and fit schedule 40 ABS and PVC P-trap assemblies — regardless of their geometry or rotational offset. Valve cover completely encloses angle valve and supply tube for both handled and keyed type water stops.

Material	Molded vinyl
Nominal Wall	1/8" constant
Durometer	70 - 80 - Shore A
UV Protection	Will not fade or discolor
Durability	Virtually indestructible
Trimming (E-Z Series)	Internal, E-Z Tear-To-Fit trim feature
Fasteners (E-Z Series)	Internal E-Z Grip fasteners (reusable)
Color	China white
Paintability	Apply Latex paint
Burning Characteristics ASTM D-635	Self extinguished 0 sec (ATB) 0 mm (AEB)
Bacteria/Fungus Resistance	ASTM G21 and G22/ Result: 0 growth
Maintenance	Use common detergents

Antimicrobial Vinyl Minimizes Maintenance

Lav Guard 2 is molded from impact-resistant, stain-resistant, antimicrobial vinyl. Its smooth surface makes it exceptionally easy to clean and maintain.

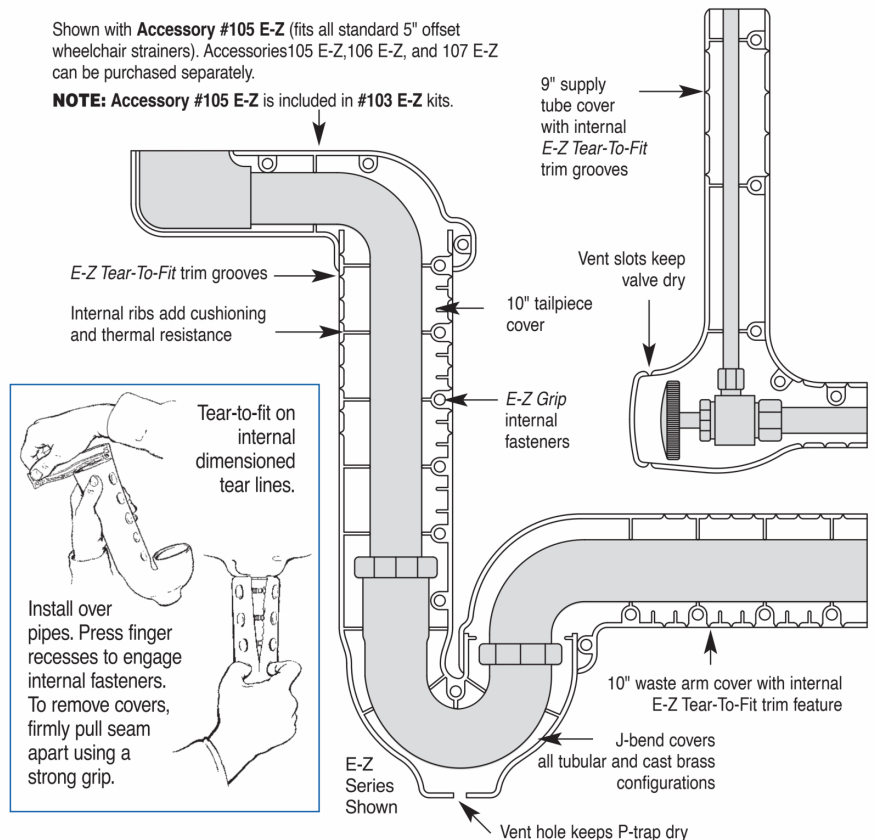
Manufactured under one or more of the following U.S. or Canadian patents. Other patents pending.
5,303,730 5,360,031 5,524,669 5,564,463 5,678,598 5,699,828 5,915,412
5,915,413 5,901,739 5,960,820 2,075,324 2,119,427 2,136,027 2,158,083



500 Distribution Parkway, Collierville, TN 38017 ▪ Phone: 800-888-8312 ▪ Fax: 901-853-5008 ▪ www.ipscorp.com

Shown with **Accessory #105 E-Z** (fits all standard 5" offset wheelchair strainers). Accessories 105 E-Z, 106 E-Z, and 107 E-Z can be purchased separately.

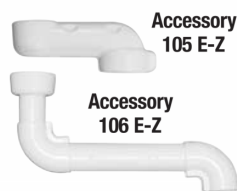
NOTE: Accessory #105 E-Z is included in #103 E-Z kits.



#100 E-Z Series (shown above right) for tubular and cast brass P-trap assemblies.

#400W* Series (original design) for schedule 40 P-trap assemblies.

<input type="checkbox"/> Model #99 E-Z One angle valve and supply cover	<input checked="" type="checkbox"/> Model #102 E-Z One P-trap cover, two angle valves and covers	<input type="checkbox"/> Accessory #105-K Kohler 6" offset
<input type="checkbox"/> Model #100 E-Z One P-trap cover	<input type="checkbox"/> Model #402W* One P-trap cover, two angle valves and covers	<input type="checkbox"/> Accessory #106 E-Z One basket strainer cover and offset waste cover (adjustable to 18")
<input type="checkbox"/> Model #400W* One P-trap cover	<input type="checkbox"/> Model #103 E-Z One P-trap cover, two angle valves and supply covers, one 5" offset tailpiece wheelchair strainer cover	<input type="checkbox"/> Accessory #107 E-Z Two basket strainer covers and center or end outlet waste cover (adjustable)
<input type="checkbox"/> Model #101 E-Z One P-trap cover, one angle valve cover	<input type="checkbox"/> Accessory #105 E-Z One 5" offset tailpiece wheelchair strainer assembly	<input type="checkbox"/> Accessory #Ex99 E-Z One 14" extension for water supply
<input type="checkbox"/> Model #401W* One P-trap cover, one angle valve cover	<p>*All #400W series items are the "original" LAV GUARD® design and construction. Specifications may change without notice.</p>	



Accessory 107 E-Z
(Configuration Options Shown)



CARRIER

**LAVATORY SUPPORTS
 WITH CONCEALED ARMS**

FLOOR MOUNTED WITH "PRO-SET" UPRIGHTS

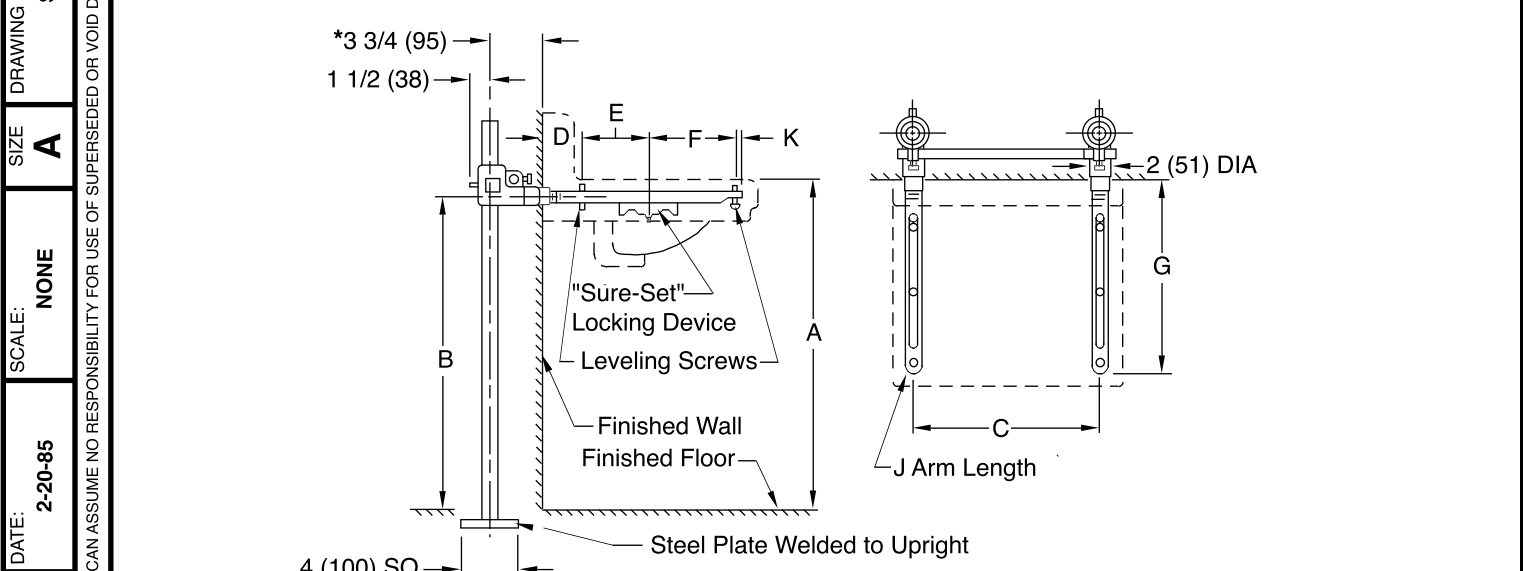
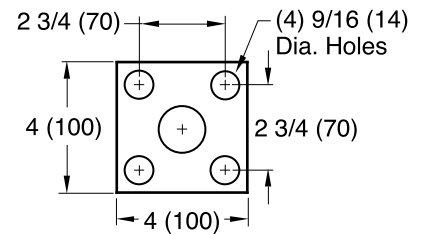


Fig. 0700 . . . FOR HIGH BACK LAVATORIES (shown)

NOTE: The rough-in dimensions listed on this drawing are based on current information available to Jay R. Smith by the fixture manufacturers. We recommend that you verify these dimensions with the fixture manufacturer. We will not accept responsibility for rough-in dimension changes by the fixture manufacturer.

NOTE: Dimensions shown in parentheses are in millimeters.



BASE DETAIL

ROUGHING-IN TABLE

FIXTURE MFG.	NAME	NUMBER	SIZE	A	B	C	D	E	F	G	J	K
AM. STD.	LUCERNE	0355.012	20 (510) x 18 (455)	31 (785)	29 1/4 (745)	16 3/4 (425)	4 (100)	6 (150)	6 (150)	16 1/2 (420)	19 (485)	1/2 (13)
AM. STD.	LUCERNE	0356.015	20 (510) x 18 (455)	31 (785)	29 1/4 (745)	16 3/4 (425)	4 (100)	6 (150)	6 (150)	16 1/2 (420)	19 (485)	1/2 (13)
AM. STD.	LUCERNE	0356.421	20 (510) x 18 (455)	31 (785)	29 1/4 (745)	16 3/4 (425)	4 (100)	6 (150)	6 (150)	16 1/2 (420)	19 (485)	1/2 (13)
AM. STD.	MURRO	0954.000	20 (510) x 21 (455)	34 (865)	32 3/8 (823)	16 3/4 (425)	4 (100)	6 (150)	6 (150)	14 1/2 (370)	17M (430)	1/2 (13)
AM. STD.	MURRO	0955.000	22 (560) x 21 (535)	34 (865)	32 3/8 (823)	16 3/4 (425)	4 (100)	6 (150)	4 (100)	14 1/2 (370)	17M (430)	1/2 (13)
AM. STD.	MURRO	0958.000	22 (560) x 21 (535)	34 (865)	32 3/8 (823)	16 3/4 (425)	4 (100)	6 (150)	4 (100)	14 1/2 (370)	17M (430)	1/2 (13)
KOHLER	CHESAPEAKE	K-1722, 24, 28	19 (483) x 17 (432)	31 (785)	29 3/8 (746)	15 3/8 (391)	3 1/4 (83)	5 1/4 (135)	5 1/4 (135)	14 1/4 (360)	17M (430)	1/2 (13)
KOHLER	CHESAPEAKE	K-1721, 23, 29	20 (510) x 18 (455)	31 (785)	29 7/8 (759)	15 3/4 (400)	3 1/4 (83)	5 1/4 (135)	5 1/4 (135)	14 5/8 (371)	17 1/4 (430)	7/8 (22)
KOHLER	GREENWICH	K-2030, 1, 2, 4, 6	20 (510) x 18 (455)	31 (785)	29 (735)	17 1/4 (440)	3 1/4 (83)	5 1/4 (135)	5 1/4 (135)	14 1/4 (360)	16M (405)	1/2 (13)
KOHLER	KINGSTON	K-2005, 6, 7	20 (510) x 18 (455)	31 (785)	29 1/8 (740)	17 1/4 (440)	2 5/8 (67)	5 7/8 (149)	5 1/4 (135)	14 1/4 (360)	16M (430)	1/2 (13)
KOHLER	SOHO	K-2053, 2054, 2084	20 (510) x 18 (455)	31 (785)	29 1/4 (745)	16 1/2 (420)	3 1/4 (83)	5 1/4 (135)	5 1/4 (135)	14 1/4 (360)	17M (430)	1/2 (13)
TOTO	COMMERCIAL LAV.	LT 307	21 (533) x 18 (455)	34 (864)	33 1/4 (845)	16 3/4 (425)	3 3/4 (95)	8 1/8 (206)	4 1/2 (114)	16 7/8 (429)	19 (483)	1/2 (13)
ZURN	LAV	Z5361, 4, 8	20 (510) x 18 (455)	31 (785)	29 1/2 (749)	17 (432)	3 1/4 (83)	5 1/4 (135)	5 1/4 (135)	14 1/4 (360)	17M (430)	1/2 (13)
ZURN	LAV	Z5321, 4, 8, 9	23 (584) x 20 (510)	34 (864)	31 3/4 (806)	16 3/4 (425)	4 (100)	7 (178)	7 (178)	18 1/2 (470)	20 (510)	1/2 (13)

***NOTE:** This dimension can be increased when fixture support is to be installed behind the wall. (Specify when required and wall thickness).

0700

DIMENSIONS ARE SUBJECT TO MANUFACTURERS TOLERANCE AND CHANGE WITHOUT NOTICE

WE CAN ASSUME NO RESPONSIBILITY FOR USE OF SUPERSEDED OR VOID DATA

FIGURE NUMBER: L, K, J, H

DATE: 4-19-23, 12/05/22, 09/27/10, 11/23/05

DESCRIPTION: Revised Table, Revised Roughing-in Table, Updated Drawing, Revised Roughing-in Table

BY: KK, JJ, JJ, JJ

CKD. BY: JT, JT, CL, CL

WEIGHT POUNDS, VOLUME CUBIC FEET, FIGURE NUMBER: **0700**

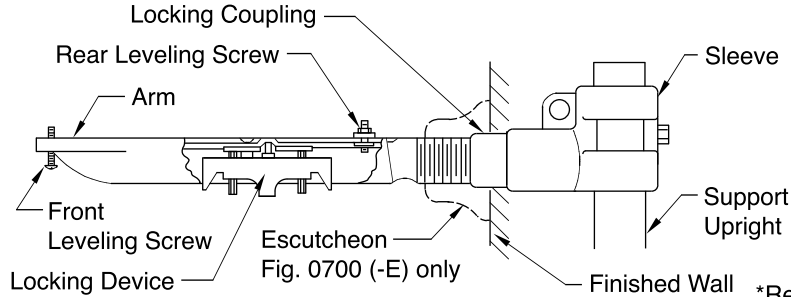
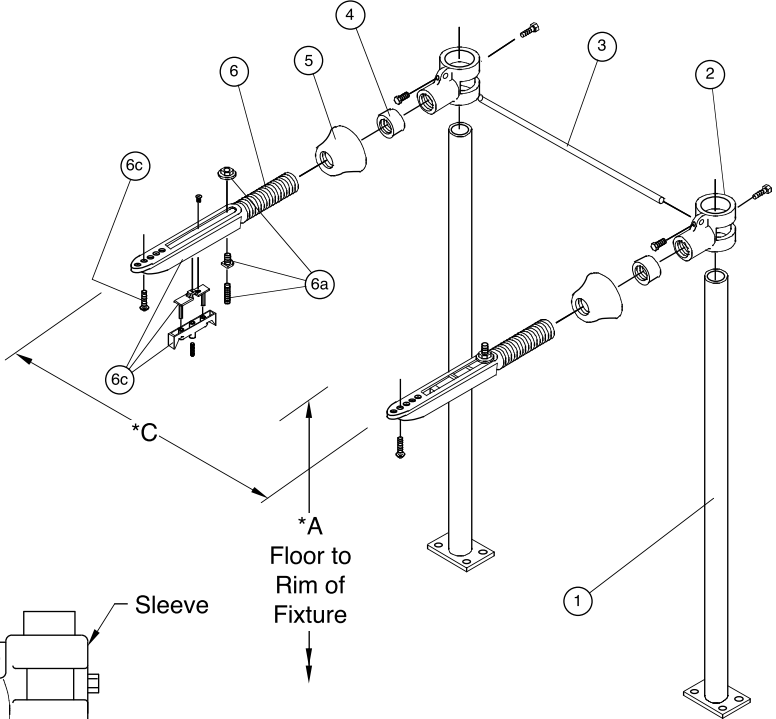
INSTALLATION INSTRUCTIONS FOR CONCEALED ARM CARRIERS

BEFORE starting rough-in be certain you:

- know correct fixture number and name
- have a copy of Smith submittal (rough-in) drawing with dimensions for fixture to be used.

NOTE: The rough-in dimensions listed on this drawing are based on current information available to Jay R. Smith by the fixture manufacturers. We recommend that you verify these dimensions with the fixture manufacturer. We will not accept responsibility for rough-in dimension changes by the fixture manufacturer.

PART	QTY	DESCRIPTION
1	2	Upright (w/welded base)
2	2	Sleeve Assembly
3	1	Alignment Bar
4	2	Locking Coupling
5	2	Escutcheon Fig. 0700 (-E)
6	2	Arm Assembly
6a	2	Rear Leveling Screw Assy
6b	2	Locking Device
6c	2	Front Leveling Screw



INSTALLATION INSTRUCTIONS FOR CONCEALED ARM CARRIERS

- Uprights (Part #1) must be spaced according to the "C" dimension (shown on the submittal drawing). Uprights should not be bolted rigidly to the floor at this time.
- Position sleeves (Part #2) by using the "B" dimension (shown on the submittal drawing). Secure to uprights with 5/16 (8)-18 hex head bolts (furnished) on the back of the sleeve.
- Slide alignment bar (Part #3) into the sleeves. Recheck the "C" dimension at the center of the uprights. Secure the alignment bar with 5/16 (8) hex head bolts (furnished). Uprights should now be bolted securely to the floor. Uprights must be plumb: if necessary, shim to compensate for uneven floors.
- Thread escutcheon (Part #5), Fig. 0700 (-E) only onto arm (Part #6). Thread locking coupling (Part #4) onto arm. Thread arms into sleeves (Part #2) to dimension "G" (shown on the submittal drawing). Lock arms in place by tightening locking coupling (Part #4). Recheck "C" dimension at the end of the arms.
- Rear leveling screw assemblies (Part #6a) must be set according to the "D" dimension (shown on the submittal drawing). Position the locking devices (Part #6b) to the "E" dimension (shown on the submittal drawing). Install the front leveling screws (Part #6c) to the "E" dimension (shown on the submittal drawing).
- Level lavatory with leveling screws as required and secure in place with locking device.

DRAWING NUMBER: S0700 INS
 SIZE: A
 SCALE: NONE
 DATE: 8-8-85
 APPROVED BY: KG
 CHECKED BY: CR
 DRAWN BY: VGD
0700, 0700 (-E) INSTALLATION INSTRUCTIONS
 DIMENSIONS ARE SUBJECT TO MANUFACTURERS TOLERANCE AND CHANGE WITHOUT NOTICE

REV.	DATE	DESCRIPTION	BY	CKD. BY	WEIGHT POUNDS	VOLUME CUBIC FEET	FIGURE NUMBER 0700, 0700 (-E) INSTALLATION INSTRUCTIONS

LAV-2

Features

- Oval basin with unglazed underside
- Overflow drain
- Fits standard 14" x 17" (356 x 432 mm) countertop cutout

Material

- Vitreous china

Installation

- Undermount

Recommended Products/Accessories

- K-8998 P-Trap
- K-23726 Drain treatment
- K-23725 Cast iron cleaner

Included Components

- 1193643 Basin clamps



ADA

CSA B651

Codes/Standards




ASME A112.19.2/CSA B45.1
ADA
ICC/ANSI A117.1
CSA B651

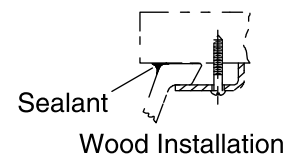
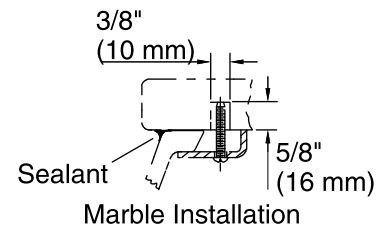
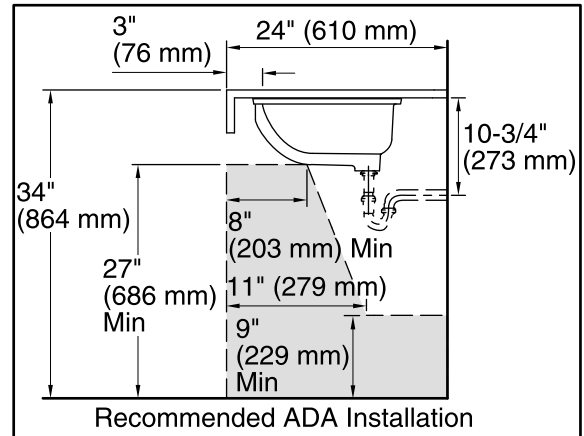
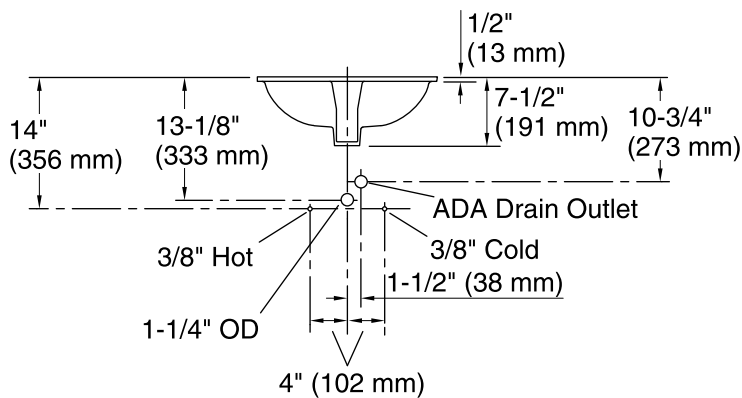
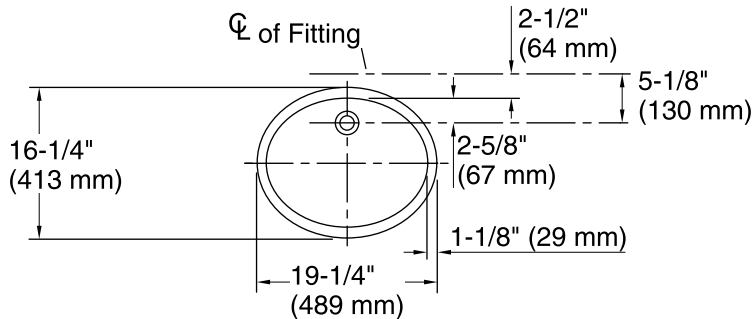
KOHLER® One-Year Limited Warranty

See website for detailed warranty information.

Available Colors/Finishes

Color tiles intended for reference only.

Color	Code	Description
	0	White
	96	Biscuit
	7	Black Black™



Technical Information

All product dimensions are nominal.

Installation:	Undermount
Bowl area:	Length: 17" (432 mm) Width: 14" (356 mm) With overflow: Yes Water depth: 4" (102 mm)
With overflow:	Yes
Drain hole:	1-3/4" (44 mm)
Template:	1151011-7, required, not included

Notes

Install this product according to the installation instructions.

NOTICE: Countertop manufacturer or cutter must use the current product template available at www.kohler.com, or by calling 1-800-4KOHLER. Kohler Co. is not responsible for cutout errors when the incorrect cutout template is used.

ADA, CSA B651 compliant when installed to the specific requirements of these regulations.

Features

- 3-15/16" (100 mm) spout reach
- 0.5 gpm (1.9 lpm) maximum flow rate
- Water-saving vandal-resistant aerator
- Single lever handle allows for both on/off activation and temperature setting
- High-temperature limit setting for added safety
- KOHLER ceramic disc valves exceed industry longevity standards for a lifetime of durable performance
- Grid drain
- Less lift rod, lift rod hole

Material

- Premium metal construction for durability and reliability
- KOHLER finishes resist corrosion and tarnishing

Installation

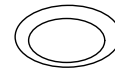
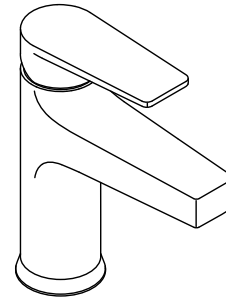
- Single-hole installation (escutcheon plate sold separately)
- Preattached flexible supply lines simplify installation

Recommended Products/Accessories

- K-23726 Drain treatment
- K-23723 Faucet cleaner

Optional Products/Accessories

- 1394616 Single hole escutcheon kit



ADA

CSA B651

OBC

Codes/Standards

ASME A112.18.1/CSA B125.1
NSF/ANSI/CAN 61
NSF/ANSI/CAN 372
All applicable US Federal and State material regulations
DOE - Energy Policy Act 1992
California Energy Commission (CEC)
ADA
ICC/ANSI A117.1
CSA B651
OBC

KOHLER® Faucet Lifetime Limited Warranty

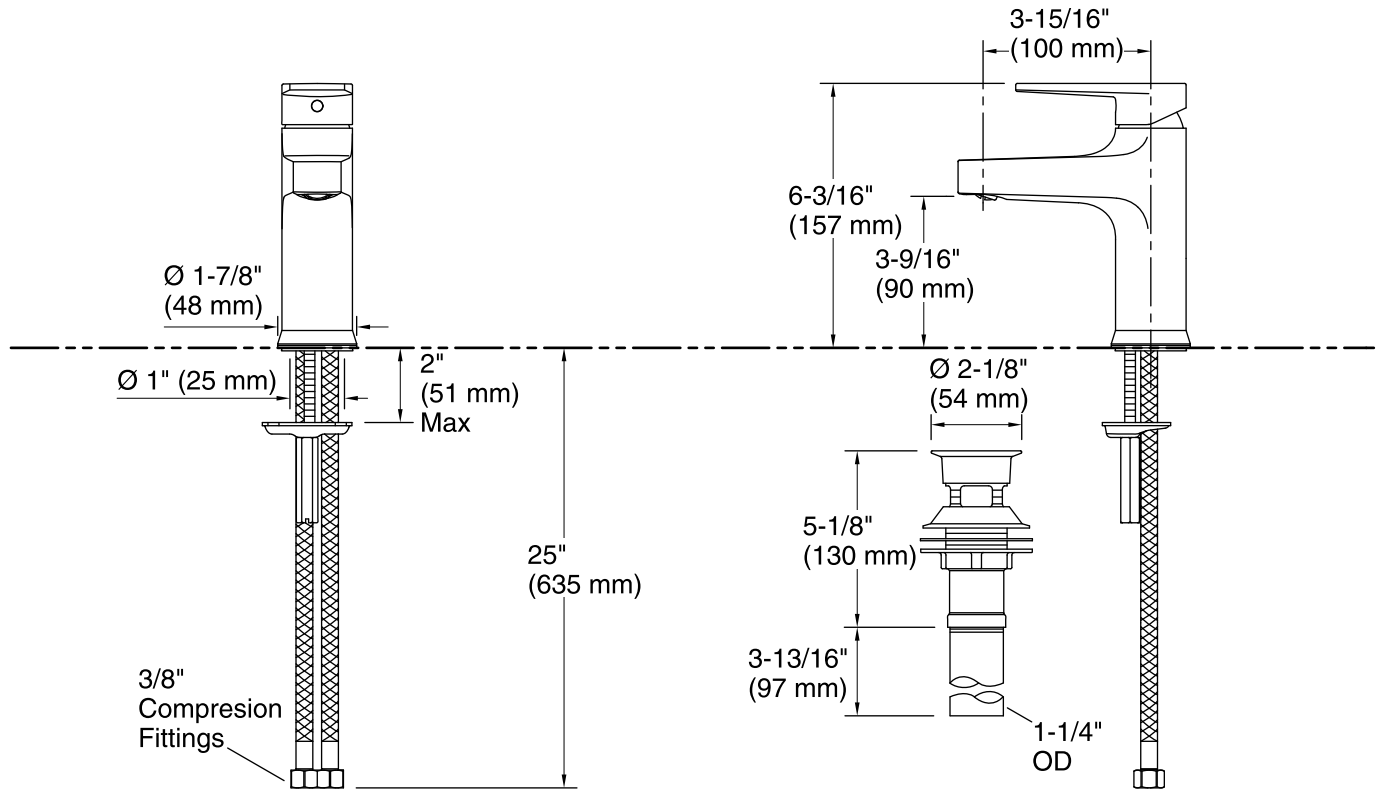
See website for detailed warranty information.

Available Colors/Finishes

Color tiles intended for reference only.

Color	Code	Description
-------	------	-------------

	CP	Polished Chrome
---	----	-----------------



Technical Information

All product dimensions are nominal.

Faucet:

Flow rate: 0.5 gal/min (1.9 l/min)

Pressure: 60 psi (4.1 bar)

Drain included: Yes

Spout:

Spout reach: 3-15/16" (100 mm)

Notes

Install this product according to the installation instructions.

ADA compliant for handles only.

ADA, OBC, CSA B651 compliant when installed to the specific requirements of these regulations.



**Dearborn®
Brass**

4675 W. 160th St.
Cleveland, Ohio 44135
Ph: (800) 321-9532
Fax: (800) 321-9535
www.dearbornbrass.com

SUBMITTAL SPECIFICATION

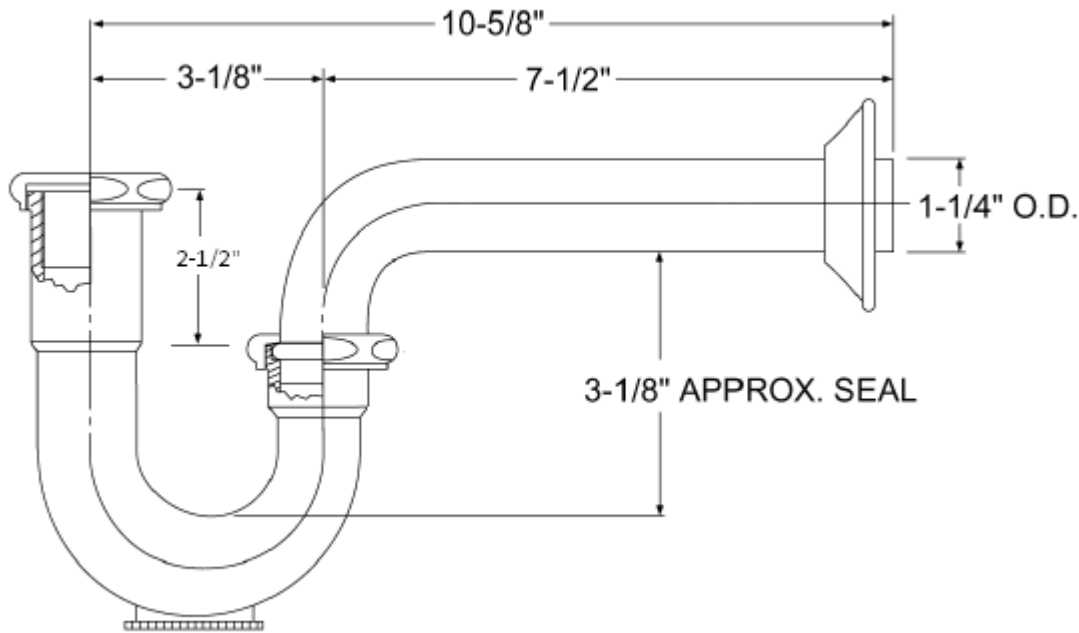
**BRASS TUBULAR
1-¼" P-TRAP WITH CLEANOUT**

Engineering Specification: Dearborn Brass 1-¼" Brass Tubular P-Trap with Cleanout are designed for use in tubular drain applications. Available in 17 or 20 Gauge Brass. Options include Brass Nuts, Deep Flange and Extended Wall Tube.

Job Reference

DESCRIPTION

- Chrome Finish
- 1-¼" P-Trap With Cleanout
 - (1) Metal Flange
 - (1) Quarter Bend
 - (1) J-Bend
 - (1) Cleanout Plug
 - (1) Fiber Cleanout Washer
 - (2) Rubber Washers
 - (2) Nuts



✓	Product No.	Description	Carton Quantity	Carton Weight (lbs)
	706-1	1-¼" P-Trap with Cleanout – 20 Ga.	10	11
x	707-1	1-¼" P-Trap with Cleanout – 17 Ga.	10	13
	707DF-1	1-¼" P-Trap with Cleanout – 17 Ga. w/ Deep Flange	10	13
	707A-1	1-¼" P-Trap with Cleanout – 17 Ga. w/ 10" Wall Tube	10	13
	707BN-1	1-¼" P-Trap with Cleanout – 17 Ga. w/ Brass Nuts	10	13

Data is subject to manufacturing tolerances.

For Residential and Commercial Applications

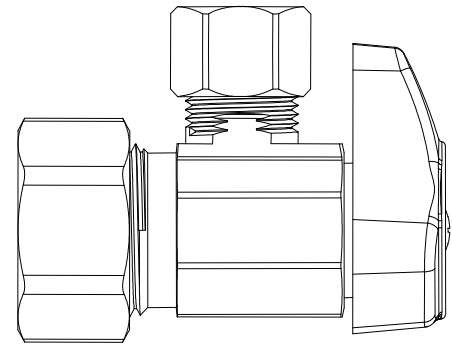
Job Name		Engineer / Architect	
Job Location		Wholesaler	
Submittal Date		Contractor	

G2CR09/ G2CR19/ G2CR39 1/4 Turn Angle Stop – Compression x Compression

Use: For use in potable water distribution systems. Not intended for recirculating water systems that produce continuous use temperatures above 115° F. For those applications, use our KT™ series ball stops.

Design Features:

- **One-piece shut-off mechanism** provides smooth on-off operation without freeze ups even after long periods of non-use
- **Positive 1/4 turn** shut off
- **Full-flow operation** with no waterway obstructions
- **Corrosion-resistant handle** is plated in an attractive chrome finish
- **Machined one-piece brass body** provides strength, durability, and long-lasting performance
- **Easy-to-remove handle** with screw attachment helps protect against accidental operation during rough-ins
- **100% Leak** tested
- **No Lead**
- **For use with** ASTM F876 PEX tubing, in ASTM F877 water distribution systems (parts containing PX and PXX only)
- **For use in** ASTM F877 water distribution systems as noted in Appendixes (parts containing PX and PXX only)



Operating Specifications:

Temperature: 40°- 140° F
Pressure: 125 PSI maximum

Standard

STOP MATERIAL SPECIFICATIONS	
Body	Brass
Stem Barrel	Santoprene
Stem Shaft	Glass-filled Polypropylene
O-ring	Rubber
Handle	Zinc die cast, chrome plated
Handle Screw	Zinc-plated steel
Compression Nut	Brass, chrome plated
Compression Sleeve	Brass
PEX Insert*	Stainless steel

No Lead

STOP MATERIAL SPECIFICATIONS	
Body	No-Lead brass
Stem Barrel	Santoprene
Stem Shaft	Glass-filled Polypropylene
O-ring	Rubber
Handle	Zinc die cast, chrome plated
Handle Screw	Zinc-plated steel
Compression Nut	Brass, chrome plated
Compression Sleeve	Brass
PEX Insert*	Stainless steel

*Where specified

This specification and all information contained herein is the confidential and exclusive property of BrassCraft Manufacturing, and shall not be disclosed to others without the written consent of BrassCraft. This specification must be returned to BrassCraft if requested.



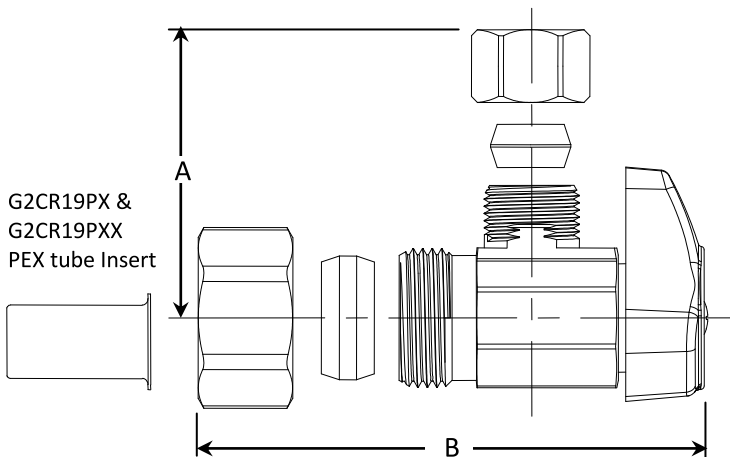
G2CR09/ G2CR19/ G2CR39 1/4 Turn Angle Stop – Compression x Compression

Standard Part Listing:

- G2CR09 C 1/2" nom compression x 1/4" OD compression, chrome plated
- G2CR09 C1 1/2" nom compression x 1/4" OD compression, chrome plated, window tray
- G2CR09 CD 1/2" nom compression x 1/4" OD compression, chrome plated, blister card
- G2CR09 R 1/2" nom compression x 1/4" OD compression, rough brass
- G2CR19 C 1/2" nom compression x 3/8" OD compression, chrome plated
- G2CR19 C1 1/2" nom compression x 3/8" OD compression, chrome plated, window tray
- G2CR19 CD 1/2" nom compression x 3/8" OD compression, chrome plated, blister card
- G2CR19 R 1/2" nom compression x 3/8" OD compression, rough brass
- G2CR19L1 CB 1/2" nom compression x 3/8" OD compression, less outlet nut, chrome plated, bulk
- G2CR19PX C 1/2" nom compression w/ PEX stainless steel insert x 3/8" OD compression, chrome plated
- G2CR39 C 1/2" nom compression x 1/2" OD compression, chrome plated
- G2CR39 C1 1/2" nom compression x 1/2" OD compression, chrome plated, window tray
- G2CR39 CD 1/2" nom compression x 1/2" OD compression, chrome plated, blister card
- G2CR39 R 1/2" nom compression x 1/2" OD compression, rough brass

No-Lead Part Listing:

- G2CR09X C 1/2" nom compression x 1/4" OD compression, chrome plated
- G2CR09X C1 1/2" nom compression x 1/4" OD compression, chrome plated, window tray
- G2CR09X CD 1/2" nom compression x 1/4" OD compression, chrome plated, blister card
- G2CR09X R 1/2" nom compression x 1/4" OD compression, rough brass
- G2CR19X C 1/2" nom compression x 3/8" OD compression, chrome plated
- G2CR19X C1 1/2" nom compression x 3/8" OD compression, chrome plated, window tray
- G2CR19X CD 1/2" nom compression x 3/8" OD compression, chrome plated, blister card
- G2CR19X R 1/2" nom compression x 3/8" OD compression, rough brass
- G2CR19PXX C 1/2" nom compression w/ PEX stainless steel insert x 3/8" OD compression, chrome plated
- G2CR19L1X CB 1/2" nom compression x 3/8" OD compression, less outlet nut, chrome plated, bulk
- G2CR39X CD 1/2" nom compression x 1/2" OD compression, chrome plated, blister card



PART DIMENSIONS (Inches)		
Model	DIM A	DIM B
G2CR09	1.02	2.16
G2CR19	1.02	2.16
G2CR19L1	.74	2.16
G2CR19PX	1.02	2.16
G2CR39	1.11	2.16

Listings & Certifications:

- IAPMO listed to ASME A112.18.1 / CSA B125.1 (File # 0645)
- CSA listed to ASME A112.18.1 / CSA B125.1 (File # 204593)
- No-Lead product CSA listed to Low Lead Content Certification Program – Plumbing Products Class 6853-01



This specification and all information contained herein is the confidential and exclusive property of BrassCraft Manufacturing, and shall not be disclosed to others without the written consent of BrassCraft. This specification must be returned to BrassCraft if requested.

BrassCraft[®]

ADA-compliant undersink protection

Submittal Sheet

General Description:

LAV GUARD® 2E-Z Series waste and supply piping covers satisfy ADA compliance requirements. Built-in E-Z Grip internal fasteners and internal, E-Z Tear-To-Fit trimming feature allow for fast installation without tools. Series #100 E-Z kits are designed to fit on all tubular and cast brass P-trap assemblies. Series #400 kits are the "original" LAV GUARD design and fit schedule 40 ABS and PVC P-trap assemblies — regardless of their geometry or rotational offset. Valve cover completely encloses angle valve and supply tube for both handled and keyed type water stops.

Material	Molded vinyl
Nominal Wall	1/8" constant
Durometer	70 - 80 - Shore A
UV Protection	Will not fade or discolor
Durability	Virtually indestructible
Trimming (E-Z Series)	Internal, E-Z Tear-To-Fit trim feature
Fasteners (E-Z Series)	Internal E-Z Grip fasteners (reusable)
Color	China white
Paintability	Apply Latex paint
Burning Characteristics ASTM D-635	Self extinguished 0 sec (ATB) 0 mm (AEB)
Bacteria/Fungus Resistance	ASTM G21 and G22/ Result: 0 growth
Maintenance	Use common detergents

Antimicrobial Vinyl Minimizes Maintenance

Lav Guard 2 is molded from impact-resistant, stain-resistant, antimicrobial vinyl. Its smooth surface makes it exceptionally easy to clean and maintain.

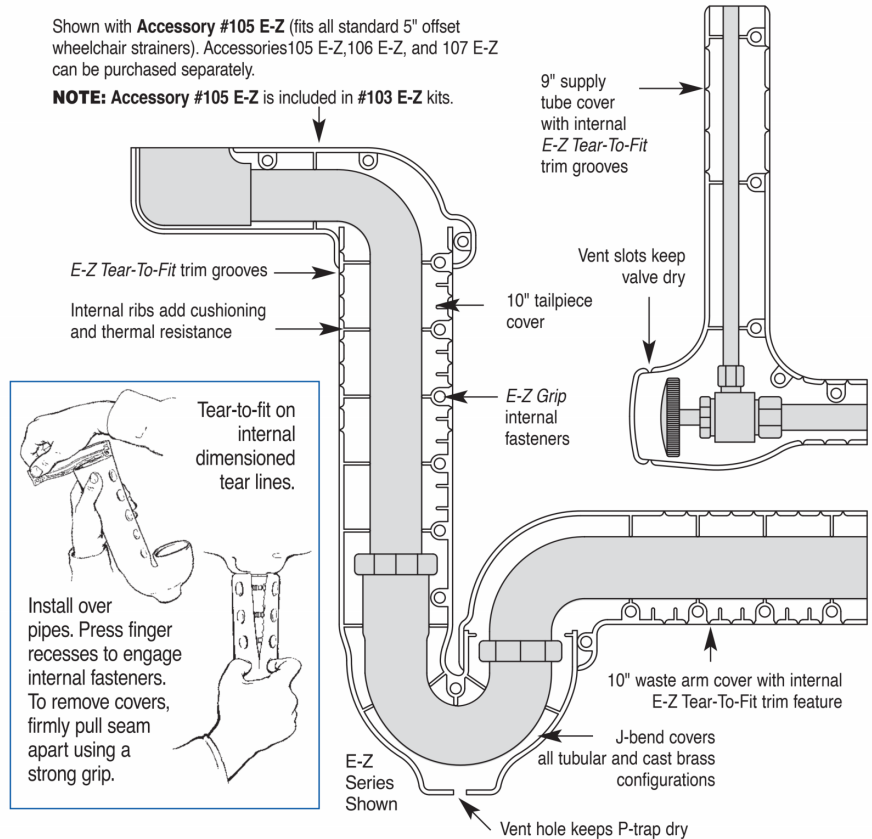
Manufactured under one or more of the following U.S. or Canadian patents. Other patents pending.
5,303,730 5,360,031 5,524,669 5,564,463 5,678,598 5,699,828 5,915,412
5,915,413 5,901,739 5,960,820 2,075,324 2,119,427 2,136,027 2,158,083



500 Distribution Parkway, Collierville, TN 38017 ▪ Phone: 800-888-8312 ▪ Fax: 901-853-5008 ▪ www.ipscorp.com

Shown with **Accessory #105 E-Z** (fits all standard 5" offset wheelchair strainers). Accessories 105 E-Z, 106 E-Z, and 107 E-Z can be purchased separately.

NOTE: Accessory #105 E-Z is included in #103 E-Z kits.

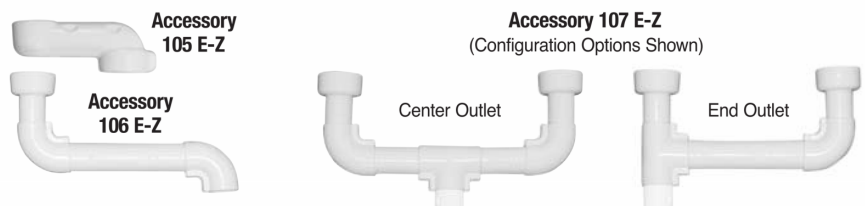


#100 E-Z Series (shown above right) for tubular and cast brass P-trap assemblies.

#400W* Series (original design) for schedule 40 P-trap assemblies.

<input type="checkbox"/> Model #99 E-Z One angle valve and supply cover	<input checked="" type="checkbox"/> Model #102 E-Z One P-trap cover, two angle valves and covers	<input type="checkbox"/> Accessory #105-K Kohler 6" offset
<input type="checkbox"/> Model #100 E-Z One P-trap cover	<input type="checkbox"/> Model #402W* One P-trap cover, two angle valves and covers	<input type="checkbox"/> Accessory #106 E-Z One basket strainer cover and offset waste cover (adjustable to 18")
<input type="checkbox"/> Model #400W* One P-trap cover	<input type="checkbox"/> Model #103 E-Z One P-trap cover, two angle valves and supply covers, one 5" offset tailpiece wheelchair strainer cover	<input type="checkbox"/> Accessory #107 E-Z Two basket strainer covers and center or end outlet waste cover (adjustable)
<input type="checkbox"/> Model #101 E-Z One P-trap cover, one angle valve cover	<input type="checkbox"/> Accessory #105 E-Z One 5" offset tailpiece wheelchair strainer assembly	<input type="checkbox"/> Accessory #Ex99 E-Z One 14" extension for water supply
<input type="checkbox"/> Model #401W* One P-trap cover, one angle valve cover	<input type="checkbox"/> Accessory #Ex100 E-Z One 14" extension for drain waste arm or tailpiece	

*All #400W series items are the "original" LAV GUARD® design and construction. Specifications may change without notice.



TEMP VLV

Model ST7069

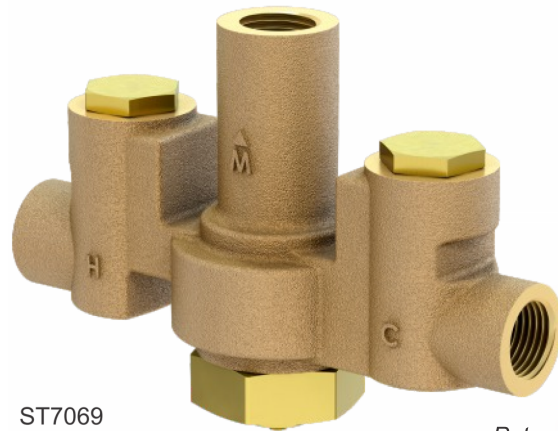
Lead-Free Thermostatic Mixing Valve

APPLICATION:

The model ST7069 an ASSE 1070 and 1069 Certified Thermostatic Mixing Valve is Lead-Free and ideal for delivering safe tempered water at the point-of-use fixture(s) such as sinks, baths, showers or lavatories in residential, commercial and institutional environments. This valve can deliver 12 GPM (45 LPM) @ 45 PSI (310 kPa) differential and accommodate up to 8 single temperature showers or up to 24 hand washing stations with 0.5 GPM (1.9 LPM) flow restrictors.

FEATURES:

- ↳ Lead-Free certified DZR brass body with corrosion resistant and lead-free internal components.
- ↳ Integral cartridge style checks with screens to prevent backflow and filter debris from entering the valve.
- ↳ Temperature adjustment is made using a allen wrench and a locknut on the bonnet prevents unauthorized or accidental temperature adjustment.
- ↳ Commercial quality paraffin actuator provides repeatable, reliable performance.
- ↳ Lockable Brass ball valves optionally available.
- ↳ IAPMO certified to ASSE 1069.
- ↳ IAPMO certified to ASSE 1070.
- ↳ IAPMO certified to CSAB125.3.



ST7069

Federal Public Law 111-380 (No Lead)

Patent #9,898,017

SPECIFICATIONS:

Valve Specifications:

Maximum Operating Pressure: 125 PSI (862 kPa)
 Maximum Hot Water Supply Temp: 180°F (82°C)
 Minimum Hot Water Supply Temp.**: 10°F (6°C)
 Above Set Point
 Outlet Temp. Range*: 90°F-115°F (32°F-46°C)
 Flow Rate: 12 GPM (45 LPM) @ 45 PSI (310 kPa)
 Differential
 Certified Minimum Flow*: 0.5 GPM (1.9 LPM)
 Connections 1/2" NPT Female

* In accordance with ASSE 1070 and ASSE 1069

** Inlet Supply Pressure Variation Up to 20%

↳ The wetted surface of these valves contacted by consumable water contains less than 0.25% of lead by weight in conformance with national lead free law.

PRESSURE DROP PSID (kPa)	Cv	5 (34)	10 (69)	15 (103)	20 (138)	30 (207)	45 (310)	60 (414)
FLOW RATE GPM (LPM)	1.8	4 (15)	5.7 (21.4)	7 (26.2)	8 (30.2)	9.8 (37)	12 (45.4)	13.8 (52.4)

GUIDE SPECIFICATION:

Thermostatic Mixing Valve shall be IAPMO lab certified per ASSE and CSA standards. Valve shall contain a copper encapsulated, paraffin-based thermal actuator. Valve shall be a solid brass body with a capacity of 12 GPM (45 LPM) AT 45 PSI (310 kPa) differential and a maximum operating pressure of 125 PSIG (862 kPa). Supply pressure variation shall be up to 20%. Valve shall have an adjustable outlet temperature range of 90°F-115°F (32°C-46°C), factory set at 105°F (41°C). Valve shall comply with ASSE 1069, ASSE 1070 and CSA B125.3 standards. Valve shall be **CONTROLS®** model ST7069.

CONTROLS® assumes no responsibility for use of void or superseded data.
 CONTROLS®, Lake Bluff, IL, a member of Morris Group International®.
 Please visit www.WaterControlValves.com for most current specifications.

Submission # **ST7069**
 Revised: 06/12/2023

Certifications and Standards:



ASSE 1069
 ASSE 1070
 CSA B125.3

NSF/ANSI 61
 Certified



Member of Morris Group International®

CONTROLS®
 42 Sherwood Terrace, Suite #5
 Lake Bluff, IL 60044
 Phone: (847) 604-4773

www.WaterControlValves.com

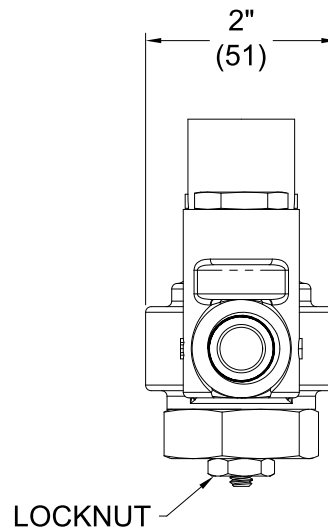
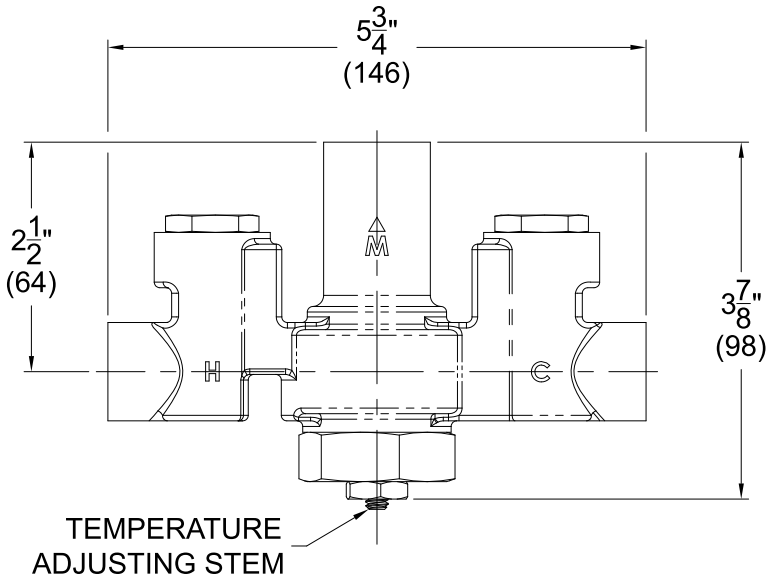
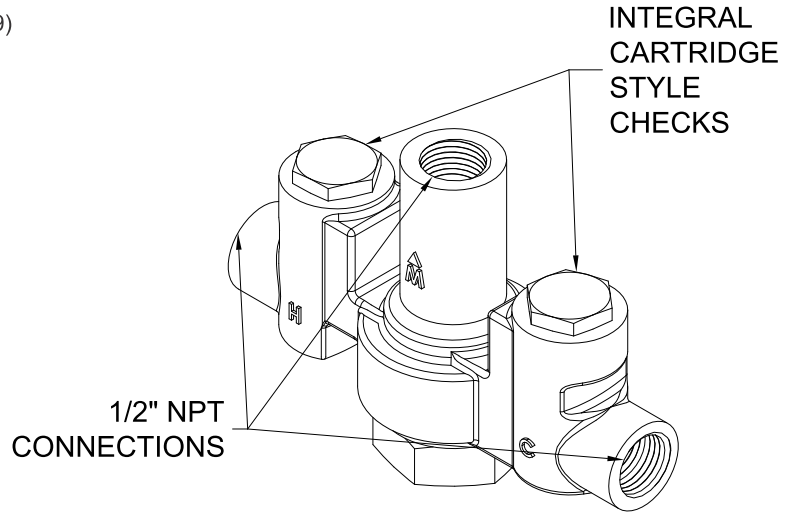
VALVE SELECTION:

- ST7069 Brass Valve Body With 1/2" NPT Connections

ACCESSORIES:

- BVS Ball Valve Shut-Off, Ball Valves Shipped Loose
- OTG Outlet Temperature Gauge
- MB-1 Mounting Bracket Assembly (Models: ST7069)

TECHNICAL DIMENSIONS:



ST7069 Revised: 06/12/2023

WARNING: Cancer and Reproductive Harm - www.P65Warnings.ca.gov

Page 2 of 2

SELECTION SUMMARY & APPROVAL FOR MANUFACTURING

Model Number & Options _____	Quantity _____
Company _____	
Contact _____	Title _____
Signature (Approval for Manufacturing) _____	Date _____



Member of Morris Group International®
CONTROLS®
 42 Sherwood Terrace, Suite #5
 Lake Bluff, IL 60044
 Phone: (847) 604-4773

www.WaterControlValves.com

UR-1

**Decorum® 0.125 GPF
High Efficiency Urinal**

- Sleek, modern, compact vitreous china design
- Deep sump reduces splashing
- Washout urinal works at 0.125 gpf (0.47 Lpf)
- Permanent EverClean® surface inhibits the growth of stain and odor-causing bacteria, mold, and mildew on the surface
- 3/4" inlet spud
- Outlet connection threaded 2" inside (NPTF)
- Wall hangers included
- Fixture only
- Strainer included
- ADA compliant
- Meets ANSI flush requirements at 0.125 GPF
- Meets California water savings regulations

- 6042.001EC** Top spud
- 6043.001EC** Back spud

Nominal Dimensions:

356 x 338 x 546mm
(14" x 13-5/16" x 21-1/2")

Recommended working pressure – between 20 psi at valve when flushing and 80 psi static

**Compliance Certifications -
Meets or Exceeds the Following Specifications:**


- ASME A112.19.2-2008/CSA B45.1-08 for Vitreous China Fixtures

To Be Specified:

- Color: White
- 7381755-200.0020A: Vandal-Resistant Stainless Steel Strainer
- Flush Valve:
 - 0.125 gpf Flush Valve: Sensor-Operated:
 - American Standard Selectronic® #6063.013.002 DC Power (Top Spud)
 - American Standard Selectronic® #6062.301.007 AC Power (Back Spud)
 - 0.125 gpf Flush Valve: Manual-Operated:
 - American Standard #6045.013.002



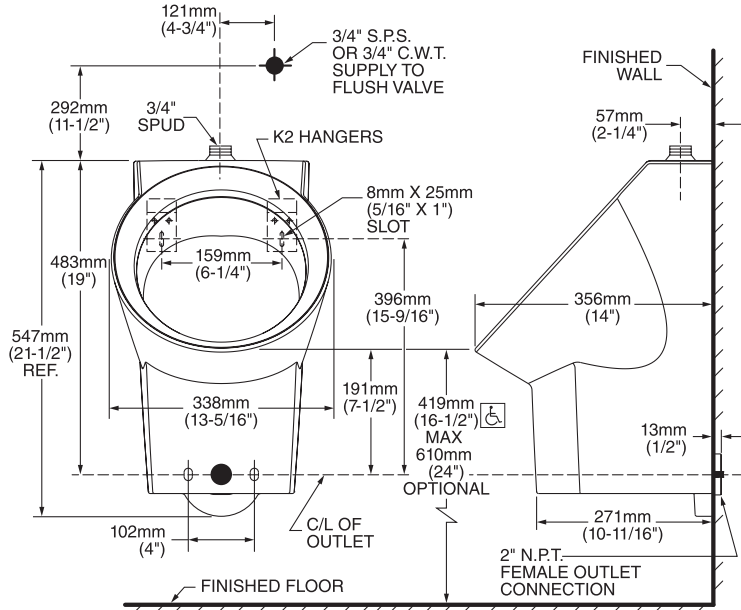
SEE REVERSE FOR ROUGHING-IN DIMENSIONS

 MEETS THE AMERICANS WITH DISABILITIES ACT GUIDELINES AND ANSI A117.1 ACCESSIBLE AND USEABLE BUILDINGS AND FACILITIES - CHECK LOCAL CODES.
● When installed so top of rim is 432mm (17") from finished floor.

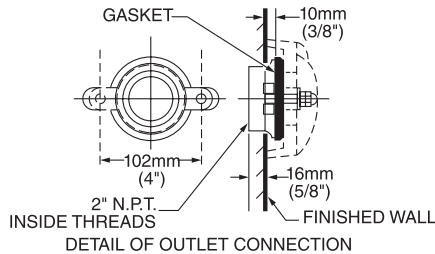
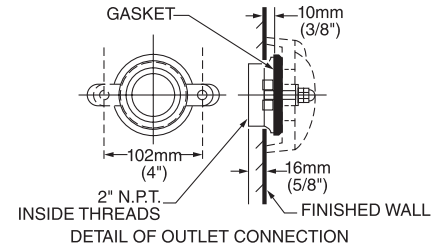
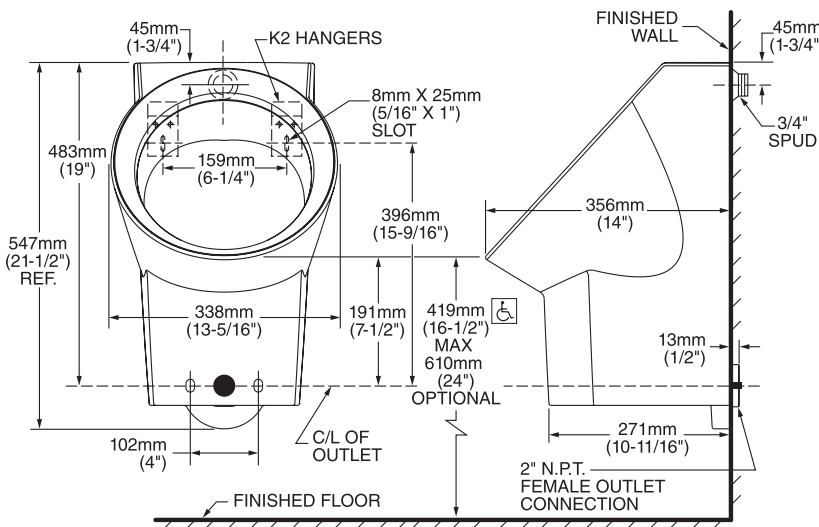


ADA COMPLIANT EVERCLEAN

6042.001EC TOP SPUD



6043.001EC BACK SPUD



NOTES:
FLUSH VALVE NOT INCLUDED WITH FIXTURE AND MUST BE ORDERED SEPARATELY.
PROVIDE SUITABLE REINFORCEMENT FOR ALL WALL SUPPORTS.

IMPORTANT: Dimensions of fixtures are nominal and may vary within the range of tolerances established by ANSI Standard A112.19.2. These measurements are subject to change or cancellation. No responsibility is assumed for use of superseded or voided pages.

CODE NUMBER

3782641

DESCRIPTION

0.125 gpf, Polished Chrome Finish, Fixture Connection Top Spud, Single Flush, Sloan® Exposed Manual Urinal Flushometer.

DETAILS

- Flush Volume: 0.125 gpf (0.5 Lpf)
- Finish: Polished Chrome (CP)
- Valve: Diaphragm
- Valve Body Material: Semi-red Brass
- Fixture Type: Urinal
- Fixture Connection: Top Spud
- Rough-In Dimension: 11 ½" (292mm)
- Spud Coupling: ¾" (19mm)
- Supply Pipe: ¾" (19mm)

FEATURES

Quiet, Exposed, Diaphragm Type, Chrome Plated High Efficiency Urinal

- PERMEX® Synthetic Rubber Diaphragm with Dual Bypass
- ¾" I.P.S. Screwdriver Bak-Chek® Angle Stop with Vandal Resistant Stop Cap
- Vacuum Breaker 15" with Flush Connection
- Spud Coupling and Spud Flange for ¾" Top Spud
- Sweat Solder Adapter with Cover Tube and Cast Wall Flange
- Non-Hold-Open Handle and No External Volume Adjustment to Ensure Water Conservation
- High Efficiency flush accuracy
- Diaphragm, Handle Packing and Vacuum Breaker Molded from PERMEX® Rubber Compound for Chloramine Resistance
- ADA Compliant Metal Oscillating Non-Hold-Open Handle



COMPLIANCES & CERTIFICATIONS



(ADA Compliant, BAA Compliant, cUPC Certified, EPD, HPD, WaterSense Listed, Made in the USA, Satisfies LEED Credits)

RECOMMENDED SPECIFICATION

Valve Body, Cover, Tailpiece and Control Stop shall be in conformance with ASTM Alloy Classification for Semi- Red Brass. Valve shall be in compliance with the applicable sections of ASSE 1037 and ANSI/ASME 112.19.2.

VALVE OPERATING PRESSURE (FLOWING)

15–80 PSI (103–552 kPa). Specific fixtures may require greater minimum flowing pressure - consult manufacturer requirements.

DOWNLOADS

- [Sloan Exposed Installation Instructions](#)
- [Sloan Exposed \(Spanish\) Installation Instructions](#)
- [Control Stop Repair and Maintenance Guide](#)
- [Flush Connections Flanges Repair and Maintenance Guide](#)
- [Tail Piece Repair and Maintenance Guide](#)
- [Sloan Flushometer Repair and Maintenance Guide](#)
- [Flushometer Pressure gauges](#)
- [Additional Downloads](#)

NOTES

All information contained within this document subject to change without notice.

Looking for other variations of the SLOAN 186 product? [View the general spec sheet with all options.](#)

[Find a compatible urinal](#) for this flushometer.

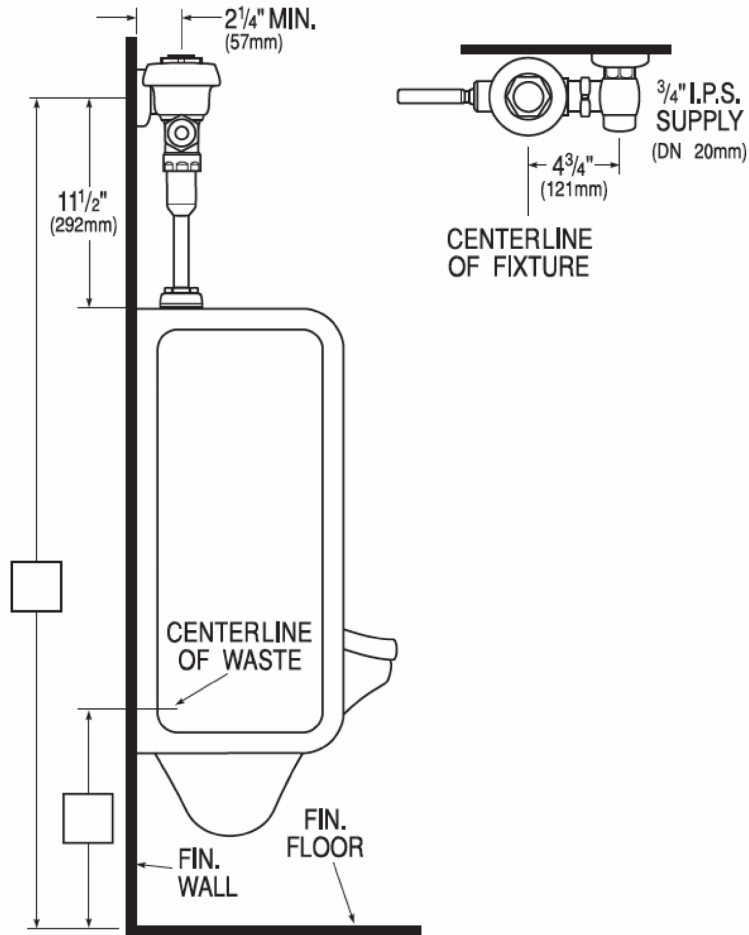
[Find a compatible water closet](#) for this flushometer.

WaterSense compliant when used with a WaterSense compliant fixture

Sloan 10500 Seymour Ave, Franklin Park, IL 60131

Phone: 800.982.5839 • Fax: 800.447.8329 • sloan.com

ROUGH-IN



Sloan 10500 Seymour Ave, Franklin Park, IL 60131
Phone: 800.982.5839 • Fax: 800.447.8329 • sloan.com

CARRIER

M



JAY R. SMITH MFG. CO.®
 MEMBER OF MORRIS GROUP INTERNATIONAL
 POST OFFICE BOX 3237
 MONTGOMERY, ALABAMA 36109-0237 (USA)
 TEL: 334-277-8520 FAX: 334-272-7396 www.jrsmith.com



MEMBER OF:

LOCATION

DRAWING NUMBER
S0634SIZE
ASCALE:
NONEDATE:
1-23-73

APPROVED BY:

CHECKED BY:
RPDRAWN BY:
JH

0634

FIGURE
NUMBER

WE CAN ASSUME NO RESPONSIBILITY FOR USE OF SUPERSEDED OR VOID DATA

DIMENSIONS ARE SUBJECT TO MANUFACTURERS TOLERANCE AND CHANGE WITHOUT NOTICE

URINAL SUPPORTS FOR OFF-THE-FLOOR URINALS

WITH SUPPORTING STUDS FOR BLOWOUT AND WASHOUT URINALS

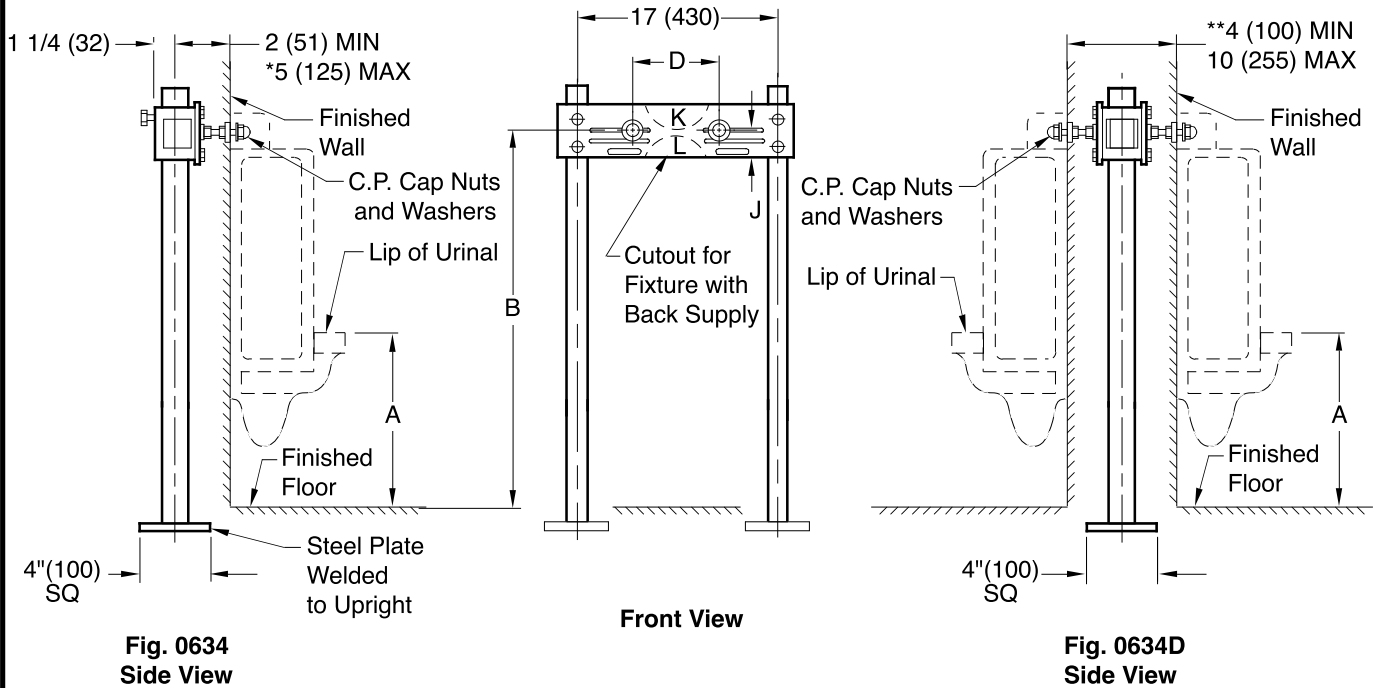


Fig. 0634
Side View

Front View

Fig. 0634D
Side View

ROUGH-IN TABLE

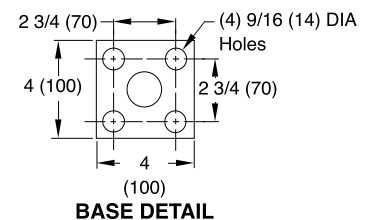
FIXTURE MFG.	NAME	NUMBER	A	B	D	J	Cutout for (Inlet)	
							K	L
Am. Std.	Allbrook	6545.016	24 (610)	36 1/8 (918)	5 (125)	2 (51)	-	X
Briggs	Rushton	B-6940, 1	24 (610)	28 (710)	7 (180)	3 (76)	X	-
Case	Casco	2325, 6	22 (560)	42 (1065)	6 (150)	1 (25)	-	X
Crane	Expedio	7-101, 3	22 (560)	26 1/2 (675)	5 (125)	3 1/2 (89)	X	-
Crane	Expedio	7-104	22 (560)	26 1/2 (675)	7 (180)	2 (51)	-	-
Crane	Manhattan	7-105, 8	22 (560)	34 1/4 (870)	5 (125)	2 (51)	-	-
Crane	Santo	7-111, 2	22 (560)	34 1/4 (870)	5 (125)	2 (51)	-	-
U. Rundle	Colby	4981	22 (560)	33 1/4 (845)	5 1/2 (140)	2 (51)	-	-
U. Rundle	Celtic	4989, 92	22 (560)	42 1/2 (1080)	7 (180)	1 (25)	-	X
U. Rundle	Colburn	4990	22 (560)	33 1/2 (850)	4 1/4 (110)	2 (51)	-	-
U. Rundle	Challenge	4993, 4	22 (560)	42 3/4 (1085)	7 (180)	1 (25)	-	X

NOTE: All support bases must be securely anchored to a rigid floor and/or other rigid substructure with (4) 1/2" bolts furnished by others.

NOTE: *This dimension can be increased when fixture support is to be installed behind the wall (specify when required and wall thickness).

**This dimension can be increased when required (specify wall thickness).

NOTE: Dimensions shown in parentheses are in millimeters.



BASE DETAIL

REV.	DATE	DESCRIPTION	BY	CKD. BY	WEIGHT POUNDS	VOLUME CUBIC FEET	FIGURE NUMBER
M	2-24-12	Rev. Dim., Base Plate	TBW	TWK			0634
L	01/20/11	Updated Logo	JJ	TW			
K	04/22/09	Added Note	JJ	AM			
J	01/11/00	Revised Base Plate	JJ	BS			



WARNING: Cancer and Reproductive Harm - www.P65Warnings.ca.gov

S-1

PRODUCT SPECIFICATIONS

Elkay Crosstown® 18 Gauge Stainless Steel 36-1/2" x 18-1/2" x 9" Single Bowl Undermount Sink Kit. Sink is manufactured from 18 gauge 304 Stainless Steel with a Polished Satin finish, Rear Center drain placement, and Full spray sides and bottom with Sides and Bottom pads.

Installation Type:	Sink Kits, Undermount
Material:	304 Stainless Steel
Finish:	Polished Satin
Gauge:	18
Sound Deadening:	Full spray sides and bottom with Sides and Bottom pads
Number of Bowls:	1
Sink Dimensions:	36-1/2" x 18-1/2" x 9"
Bowl 1 Dimensions:	35" x 17" x 9"
Drain Size:	3-1/2" (89mm)
Drain Location:	Rear Center
Minimum Cabinet Size:	39"
Mounting Hardware:	Part # 54300008 included
Template Included:	Yes
Cutout Template #:	1000003456

Template is available for download at [elkay.com](#). CAD software will be required to open the template.

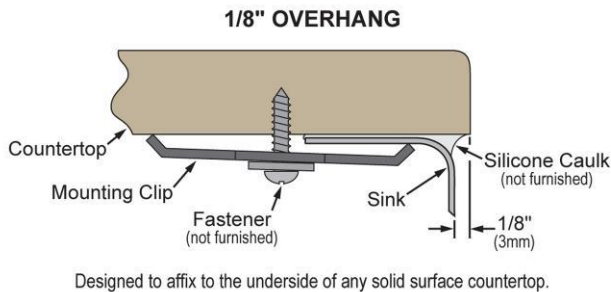


Included with Product: Custom fit bottom grid, deep strainer drain.

A Century of Tradition and Quality. For more than 100 years, Elkay has been making innovative products and providing exceptional customer care. We take pride in offering plumbing products that make life easier, inspire change and leave the world a better place.

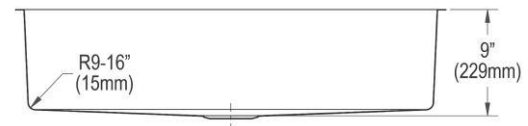
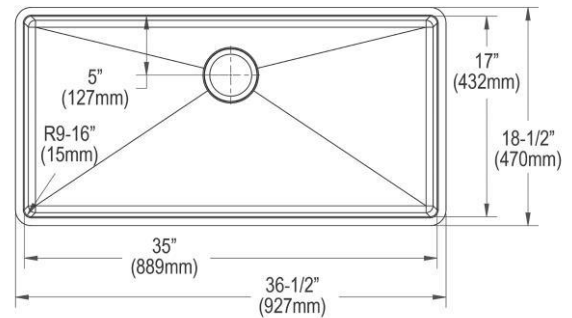
Product Compliance: ASME A112.19.3/CSA B45.4
Accessory: ASME A112.18.2/CSA B125.2

Installation Profile:



Sinks are listed by IAPMO® as meeting the applicable requirements of the Uniform Plumbing Code®, International Plumbing Code®, and National Plumbing Code of Canada.

- [Clean and Care Manual \(PDF\)](#)
- [Installation Instructions \(PDF\) - 1000005239](#)
- [Installation Instructions \(PDF\) - 1000005235 drain](#)
- [Warranty \(PDF\)](#)



PART: _____ QTY: _____
 PROJECT: _____
 CONTACT: _____
 DATE: _____
 NOTES: _____
 APPROVAL: _____

In keeping with our policy of continuing product improvement, Elkay reserves the right to change product specifications without notice. Please visit [elkay.com](#) for the most current version of Elkay product specification sheets. This specification describes an Elkay product with design, quality, and functional benefits to the user. When making a comparison of other producers' offerings, be certain these features are not overlooked.

Features

- Quarter-turn washerless ceramic disc valves
- Vandal-resistant lever handles
- Gooseneck swing/rigid spout with 5-1/4" (133 mm) reach
- Lower flow aerator options are available
- 1.0 gal/min (3.8 l/m) maximum flow rate at 60 psi (4.14 bar).
- Vandal-resistant laminar outlet

Material

- Brass
- Brass valve bodies

Installation

- Single-hole installation

Recommended Products/Accessories

K-23723 Faucet cleaner



ADA

CSA B651

OBC

Codes/Standards

ASME A112.18.1/CSA B125.1

NSF/ANSI/CAN 61

NSF/ANSI/CAN 372

All applicable US Federal and State material regulations

DOE - Energy Policy Act 1992

EPA WaterSense™

ADA

ICC/ANSI A117.1

CSA B651

OBC

KOHLER® One-Year Limited Warranty

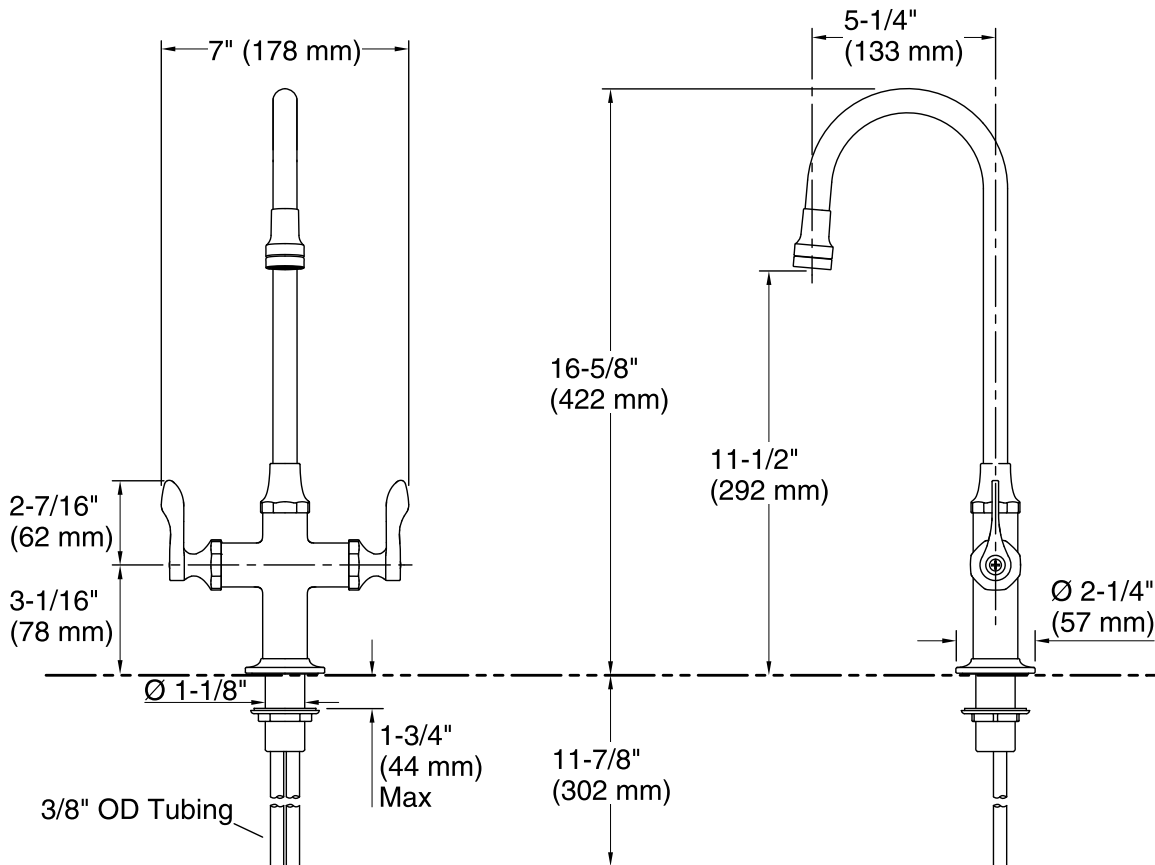
See website for detailed warranty information.

Available Colors/Finishes

Color tiles intended for reference only.

Color Code Description

 CP Polished Chrome



Technical Information

All product dimensions are nominal.

Faucet:

Flow rate: 1 gal/min (3.8 l/min)

Pressure: 60 psi (4.1 bar)

Spout:

Spout reach: 5-3/16" (132 mm)

Notes

Install this product according to the installation guide.

ADA compliant for handles only.

ADA, OBC, CSA B651 compliant when installed to the specific requirements of these regulations.



McGuire Manufacturing Co., Inc.

60 Grandview Court
Cheshire, Connecticut 06410
(203) 699-1801 Fax (203) 699-1813
customerservice@mcguiremfg.com mcguiremfg.com

PRODUCT SPECIFICATION

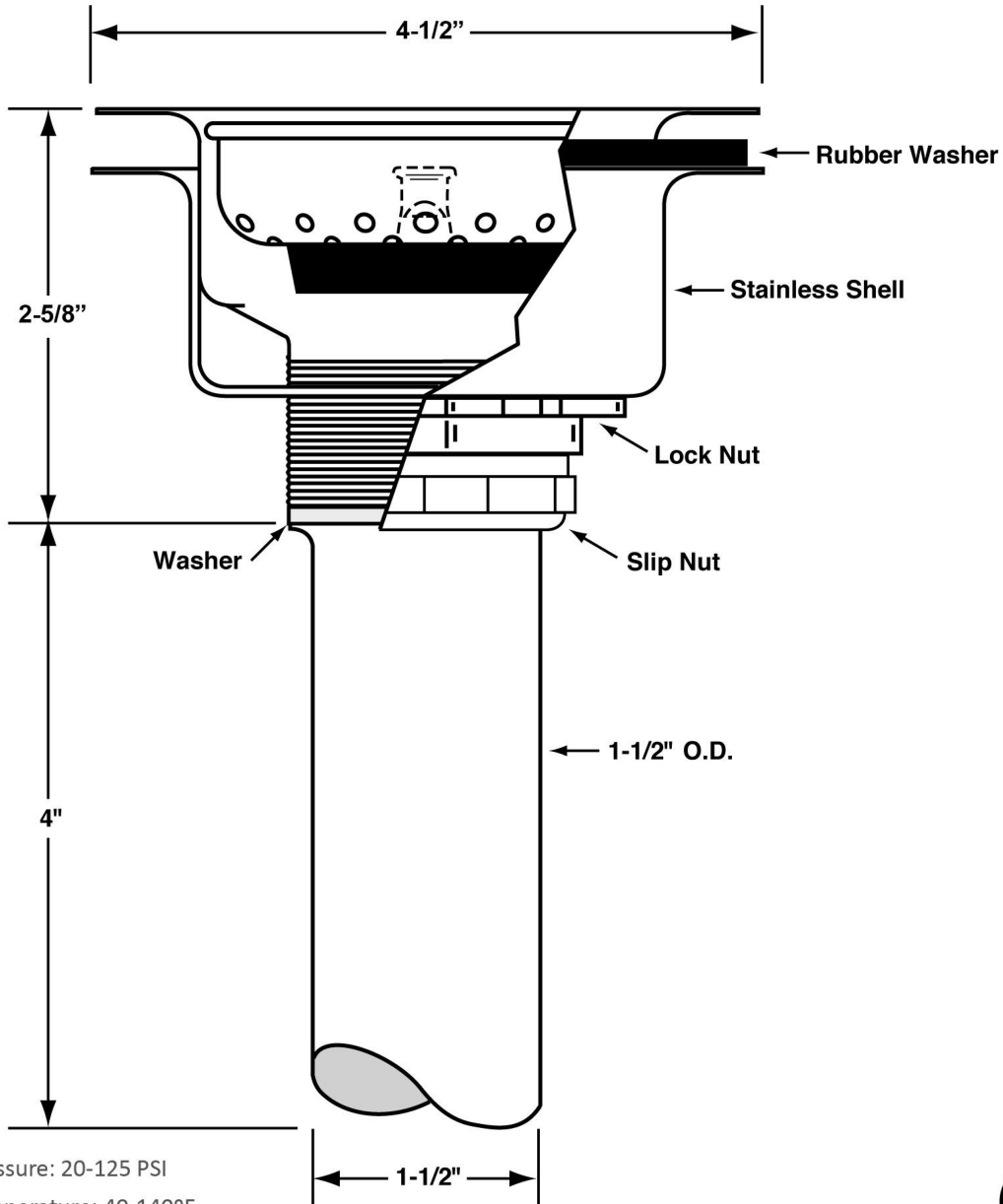
Part No.

151A

Stainless Steel
Basket Strainer

Job Name:

Submittal Number:



- Rated Operating Pressure: 20-125 PSI
- Rated Operating Temperature: 40-140°F
- Note: 180°F max. during temporary high-temperature system flush

See options and accessories section for details on product variations.



ASME A112.18.2/CSA B125.2

Specifications:

Heavy Duty Forged Stainless Steel Basket Strainer with 1-1/2" x 4" seamless brass tailpiece, die cast slip and lock nuts. Basket Strainer shall be in compliance with CSA or other recognized testing authority and bear both manufacturer and testing mark.



WARNING:

This product can expose you to chemicals including lead, which is known to the State of California to cause cancer, and birth defects or other reproductive harm. For more information go to www.P65Warnings.ca.gov.



**Dearborn®
Brass**

4675 W. 160th St.
Cleveland, Ohio 44135
Ph: (800) 321-9532
Fax: (800) 321-9535
www.dearbornbrass.com

SUBMITTAL SPECIFICATION

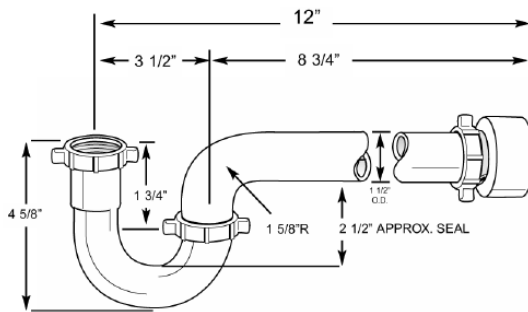
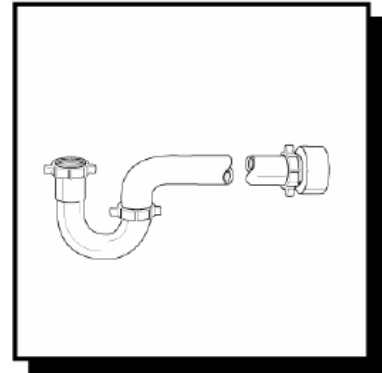
**PLASTIC TUBULAR
1-½" P-TRAP WITH THREADED ADAPTER**

Engineering Specification: Dearborn Brass Plastic Tubular 1-½" P-Traps with Threaded Adapter are designed for use in tubular drain applications. Options include PVC or ABS plastic adapter and True Blue Premium Washers for superior sealing. Available in white or black polypropylene plastic.

Job Reference

DESCRIPTION

- Made of polypropylene plastic
- Plastic Tubular P-Trap with Threaded Adapter
 - Plastic Tubular Quarter Bend
 - Plastic Tubular J-Bend
 - Schedule 40 Threaded Adapter
 - (3) Slip Joint Nuts
 - (1) 1-½" Washer
 - (1) 1-¼" x 1-½" Reducing Washer
- Reversible P-Trap includes reversible J-Bend
- Deep Flange P-Trap includes plastic deep flange



- Meets ASTM F 409
- IAPMO Listed



✓	Product No.	Description	Carton Quantity	Carton Weight (lbs)
	P9703W	1-½" P-Trap w/ Threaded PVC Adapter with True Blue Premium Washers – White		
	P9703BG	1-½" P-Trap w/ Threaded PVC Adapter & Reversible J-Bend – White, Bagged	25	19.4
	A9703WBG	1-½" P-Trap w/ Threaded PVC Adapter & Reversible J-Bend with True Blue Premium Washers –Black, Bagged	25	19.4
	P9704	1-½" P-Trap w/ Threaded PVC Adapter – White	25	11.8
	A9704	1-½" P-Trap w/ Threaded ABS Adapter – Black	25	11.7
	P9704A	1-½" P-Trap w/ Threaded ABS Adapter – White	25	11.8
	P9704AB	1-½" P-Trap w/ Threaded ABS Adapter – White, Bagged	25	19.2
X	P9704BG	1-½" P-Trap w/ Threaded PVC Adapter – White, Bagged	25	19.4
	P9704AWB	1-½" P-Trap w/ Threaded ABS Adapter & Reversible J-Bend with True Blue Premium Washers – White, Bagged	25	19.4
	A9704B	1-½" P-Trap w/ Threaded ABS Adapter – Black, Bagged	25	19.3
	P9704DF	1-½" P-Trap w/ Threaded PVC Adapter & Deep Flange– White	25	12.8
	A9704DF	1-½" P-Trap w/ Threaded ABS Adapter & Deep Flange – Black	25	12.6
	P9704DFB	1-½" P-Trap w/ Threaded PVC Adapter & Deep Flange – White, Bagged	25	21.2
	A9704WB	1-½" P-Trap w/ Threaded ABS Adapter & Reversible J-Bend with True Blue Premium Washers – Black, Bagged	25	19.4

For Residential and Commercial Applications

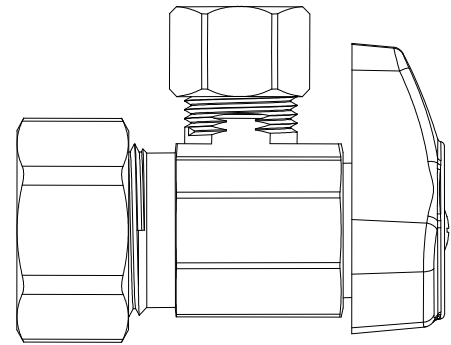
Job Name		Engineer / Architect	
Job Location		Wholesaler	
Submittal Date		Contractor	

G2CR09/ G2CR19/ G2CR39 1/4 Turn Angle Stop – Compression x Compression

Use: For use in potable water distribution systems. Not intended for recirculating water systems that produce continuous use temperatures above 115° F. For those applications, use our KT™ series ball stops.

Design Features:

- **One-piece shut-off mechanism** provides smooth on-off operation without freeze ups even after long periods of non-use
- **Positive 1/4 turn** shut off
- **Full-flow operation** with no waterway obstructions
- **Corrosion-resistant handle** is plated in an attractive chrome finish
- **Machined one-piece brass body** provides strength, durability, and long-lasting performance
- **Easy-to-remove handle** with screw attachment helps protect against accidental operation during rough-ins
- **100% Leak** tested
- **No Lead**
- **For use with** ASTM F876 PEX tubing, in ASTM F877 water distribution systems (parts containing PX and PXX only)
- **For use in** ASTM F877 water distribution systems as noted in Appendixes (parts containing PX and PXX only)



Operating Specifications:

Temperature: 40°- 140° F
Pressure: 125 PSI maximum

Standard

STOP MATERIAL SPECIFICATIONS	
Body	Brass
Stem Barrel	Santoprene
Stem Shaft	Glass-filled Polypropylene
O-ring	Rubber
Handle	Zinc die cast, chrome plated
Handle Screw	Zinc-plated steel
Compression Nut	Brass, chrome plated
Compression Sleeve	Brass
PEX Insert*	Stainless steel

No Lead

STOP MATERIAL SPECIFICATIONS	
Body	No-Lead brass
Stem Barrel	Santoprene
Stem Shaft	Glass-filled Polypropylene
O-ring	Rubber
Handle	Zinc die cast, chrome plated
Handle Screw	Zinc-plated steel
Compression Nut	Brass, chrome plated
Compression Sleeve	Brass
PEX Insert*	Stainless steel

*Where specified

This specification and all information contained herein is the confidential and exclusive property of BrassCraft Manufacturing, and shall not be disclosed to others without the written consent of BrassCraft. This specification must be returned to BrassCraft if requested.



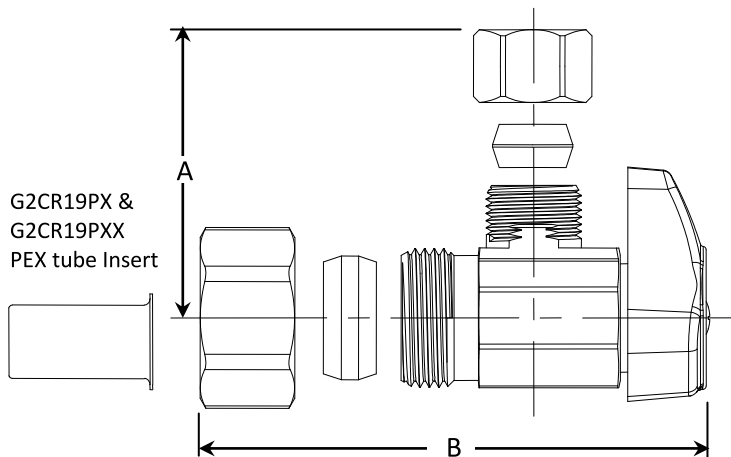
G2CR09/ G2CR19/ G2CR39 1/4 Turn Angle Stop – Compression x Compression

Standard Part Listing:

- G2CR09 C 1/2" nom compression x 1/4" OD compression, chrome plated
- G2CR09 C1 1/2" nom compression x 1/4" OD compression, chrome plated, window tray
- G2CR09 CD 1/2" nom compression x 1/4" OD compression, chrome plated, blister card
- G2CR09 R 1/2" nom compression x 1/4" OD compression, rough brass
- G2CR19 C 1/2" nom compression x 3/8" OD compression, chrome plated
- G2CR19 C1 1/2" nom compression x 3/8" OD compression, chrome plated, window tray
- G2CR19 CD 1/2" nom compression x 3/8" OD compression, chrome plated, blister card
- G2CR19 R 1/2" nom compression x 3/8" OD compression, rough brass
- G2CR19L1 CB 1/2" nom compression x 3/8" OD compression, less outlet nut, chrome plated, bulk
- G2CR19PX C 1/2" nom compression w/ PEX stainless steel insert x 3/8" OD compression, chrome plated
- G2CR39 C 1/2" nom compression x 1/2" OD compression, chrome plated
- G2CR39 C1 1/2" nom compression x 1/2" OD compression, chrome plated, window tray
- G2CR39 CD 1/2" nom compression x 1/2" OD compression, chrome plated, blister card
- G2CR39 R 1/2" nom compression x 1/2" OD compression, rough brass

No-Lead Part Listing:

- G2CR09X C 1/2" nom compression x 1/4" OD compression, chrome plated
- G2CR09X C1 1/2" nom compression x 1/4" OD compression, chrome plated, window tray
- G2CR09X CD 1/2" nom compression x 1/4" OD compression, chrome plated, blister card
- G2CR09X R 1/2" nom compression x 1/4" OD compression, rough brass
- G2CR19X C 1/2" nom compression x 3/8" OD compression, chrome plated
- G2CR19X C1 1/2" nom compression x 3/8" OD compression, chrome plated, window tray
- G2CR19X CD 1/2" nom compression x 3/8" OD compression, chrome plated, blister card
- G2CR19X R 1/2" nom compression x 3/8" OD compression, rough brass
- G2CR19PXX C 1/2" nom compression w/ PEX stainless steel insert x 3/8" OD compression, chrome plated
- G2CR19L1X CB 1/2" nom compression x 3/8" OD compression, less outlet nut, chrome plated, bulk
- G2CR39X CD 1/2" nom compression x 1/2" OD compression, chrome plated, blister card



PART DIMENSIONS (Inches)		
Model	DIM A	DIM B
G2CR09	1.02	2.16
G2CR19	1.02	2.16
G2CR19L1	.74	2.16
G2CR19PX	1.02	2.16
G2CR39	1.11	2.16

Listings & Certifications:

- IAPMO listed to ASME A112.18.1 / CSA B125.1 (File # 0645)
- CSA listed to ASME A112.18.1 / CSA B125.1 (File # 204593)
- No-Lead product CSA listed to Low Lead Content Certification Program – Plumbing Products Class 6853-01



This specification and all information contained herein is the confidential and exclusive property of BrassCraft Manufacturing, and shall not be disclosed to others without the written consent of BrassCraft. This specification must be returned to BrassCraft if requested.



For Residential and Commercial Applications

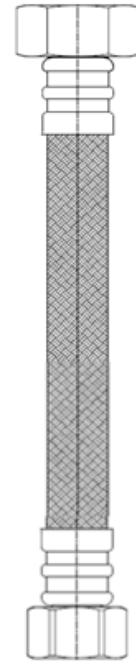
Job Name	Engineer / Architect
Job Location	Wholesaler
Submittal Date	Contractor

PLS1-** / PLS3-**A Stainless Steel Flexible Braided Faucet Water Connector - Compression Inlet x FIP Outlet

Use: For use only in potable water distribution systems in accessible locations only.

Part Listing:

- | | | |
|-------------------------------------|------------|---|
| <input type="checkbox"/> | PLS1-12A F | 3/8" compression x 1/2" FIP x 12" length, flag label |
| <input checked="" type="checkbox"/> | PLS1-16A F | 3/8" compression x 1/2" FIP x 16" length, flag label |
| <input type="checkbox"/> | PLS1-20A F | 3/8" compression x 1/2" FIP x 20" length, flag label |
| <input type="checkbox"/> | PLS1-24A F | 3/8" compression x 1/2" FIP x 24" length, flag label |
| <input type="checkbox"/> | PLS1-30A F | 3/8" compression x 1/2" FIP x 30" length, flag label |
| <input type="checkbox"/> | PLS1-36A F | 3/8" compression x 1/2" FIP x 36" length, flag label |
| <input type="checkbox"/> | PLS1-48A F | 3/8" compression x 1/2" FIP x 48" length, flag label |
| <input type="checkbox"/> | PLS1-60A F | 3/8" compression x 1/2" FIP x 60" length, flag label |
| <input type="checkbox"/> | PLS2-20A F | 7/16" compression x 1/2" FIP x 20" length, flag label |
| <input type="checkbox"/> | PLS3-12A F | 1/2" compression x 1/2" FIP x 12" length, flag label |
| <input type="checkbox"/> | PLS3-16A F | 1/2" compression x 1/2" FIP x 16" length, flag label |
| <input type="checkbox"/> | PLS3-20A F | 1/2" compression x 1/2" FIP x 20" length, flag label |
| <input type="checkbox"/> | PLS3-30A F | 1/2" compression x 1/2" FIP x 30" length, flag label |

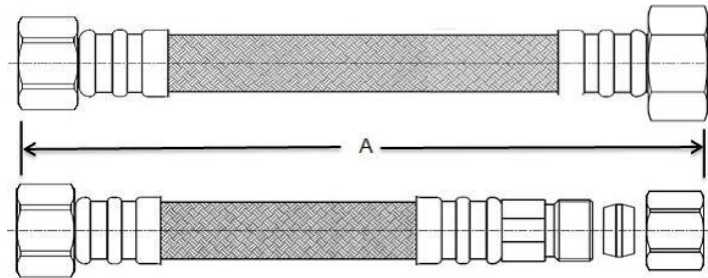


Operating Specifications		
Temperature	Pressure	Tubing Diameter
40°- 140° F, Intermittent to 180° F	125 PSI maximum	0.300" ID(0.510"OD)

MATERIAL SPECIFICATIONS	
Inner Hose	Reinforced PVC
Braiding	Stainless steel wire
Barb	Brass
Ferrule	Stainless steel
Nut	Brass
Washer	Rubber
Compression Nut	Brass

PART DIMENSIONS (Inches)	
Model	DIM. A
PLS1-12	12.0/13.0
PLS1-16	16.0/17.0
PLS1-20	20.0/21.0
PLS1-24	24.0/25.0
PLS1-30	30.0/31.0
PLS1-36	36.0/37.0

PART DIMENSIONS (Inches)	
Model	DIM. A
PLS1-48	48.0/49.0
PLS1-60	60.0/61.0
PLS2-20	20.0/21.0
PLS3-12	12.0/13.0
PLS3-16	16.0/17.0
PLS3-20	20.0/21.0
PLS3-30	30.0/31.0



Listings & Certifications:

- IAPMO listed to ASME A112.18.6 / CSA B125.6 (file # 5311)
- IAPMO listed to NSF 372 for Low-Lead Compliance (file #6624)
- IAPMO listed to NSF 61/9 (file #N-6632)



This specification and all information contained herein is the confidential and exclusive property of Brasscraft Manufacturing Co., and shall not be disclosed to others without the written consent of Brasscraft Mfg. Co. This specification must be returned to Brasscraft Mfg. Co. if requested.

S-2

PRODUCT SPECIFICATIONS

Elkay Lustertone™ Classic Stainless Steel 31" x 22" x 5-1/2" Single Bowl Drop-in ADA Sink. Sink is manufactured from 18 gauge 304 Stainless Steel with a Lustrous Satin finish, Rear Center drain placement, and Bottom only pads.

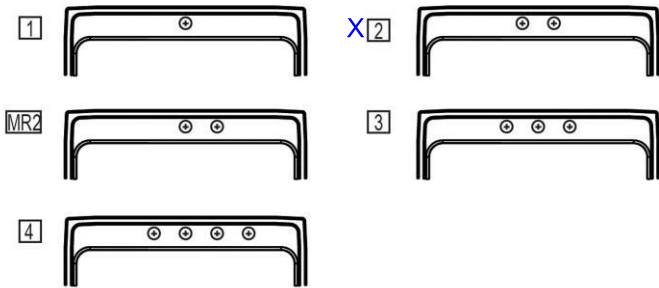
Installation Type:	Drop-in
Material:	304 Stainless Steel
Finish:	Lustrous Satin
Gauge:	18
Sound Deadening:	Bottom only pads
Number of Bowls:	1
Sink Dimensions:	31" x 22" x 5-1/2"
Bowl 1 Dimensions:	28" x 16" x 5-3/8"
Drain Size:	3-1/2" (89mm)
Drain Location:	Rear Center
Minimum Cabinet Size:	36"
Mounting Hardware:	Part # 64090014 included for countertops up to 3/4" (19mm) thick
Template Included:	No
Cutout Template #:	1000001239

Template is available for download at [elkay.com](#). CAD software will be required to open the template.

Cutout Dimensions for Drop-in Installation:
30-3/8" x 21-3/8" (772mm x 543mm) with 1-1/2" (38mm) corner radius

Hole Drilling Configurations:

1-1/2" (38mm) Diameter Faucet Holes on 4" (102mm) Centers



A Century of Tradition and Quality. For more than 100 years, Elkay has been making innovative products and providing exceptional customer care. We take pride in offering plumbing products that make life easier, inspire change and leave the world a better place.



Product Compliance: ADA & ICC A117.1
ASME A112.19.3/CSA B45.4
Buy American Act



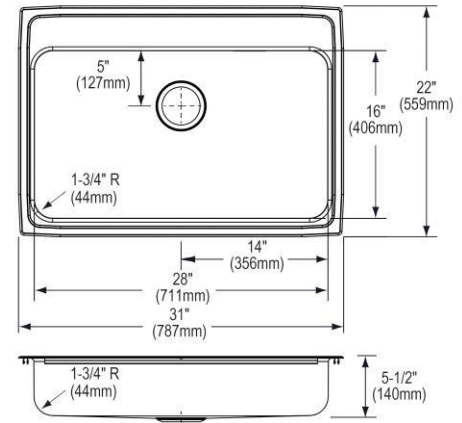
Sinks are listed by IAPMO® as meeting the applicable requirements of the Uniform Plumbing Code®, International Plumbing Code®, and National Plumbing Code of Canada.



Complies with ADA & ICC A117.1 accessibility requirements when installed according to the requirements outlined in these standards.

[Clean and Care Manual \(PDF\)](#)
[Installation Instructions \(PDF\) - 1000005236](#)
[Warranty \(PDF\)](#)

Similar models are available with: 4" 4-1/2" 5" 6" and 6-1/2" depths, Quick-Clip Mounting System



PART: _____ QTY: _____
PROJECT: _____
CONTACT: _____
DATE: _____
NOTES: _____
APPROVAL: _____

In keeping with our policy of continuing product improvement, Elkay reserves the right to change product specifications without notice. Please visit [elkay.com](#) for the most current version of Elkay product specification sheets. This specification describes an Elkay product with design, quality, and functional benefits to the user. When making a comparison of other producers' offerings, be certain these features are not overlooked.

Features

- Quarter-turn washerless ceramic disc valves
- 5-3/16" (132 mm) spout reach
- Vandal-resistant aerated flow
- Lever handle
- Less drain
- 1.0 gal/min (3.8 l/m) maximum flow rate at 60 psi (4.14 bar).

Material

- Brass
- Brass valve bodies

Recommended Products/Accessories

K-23723 Faucet cleaner



ADA

CSA B651

OBC

Codes/Standards

ASME A112.18.1/CSA B125.1

NSF/ANSI/CAN 61

NSF/ANSI/CAN 372

All applicable US Federal and State material regulations

DOE - Energy Policy Act 1992

EPA WaterSense™

ADA

ICC/ANSI A117.1

CSA B651

OBC

KOHLER® One-Year Limited Warranty

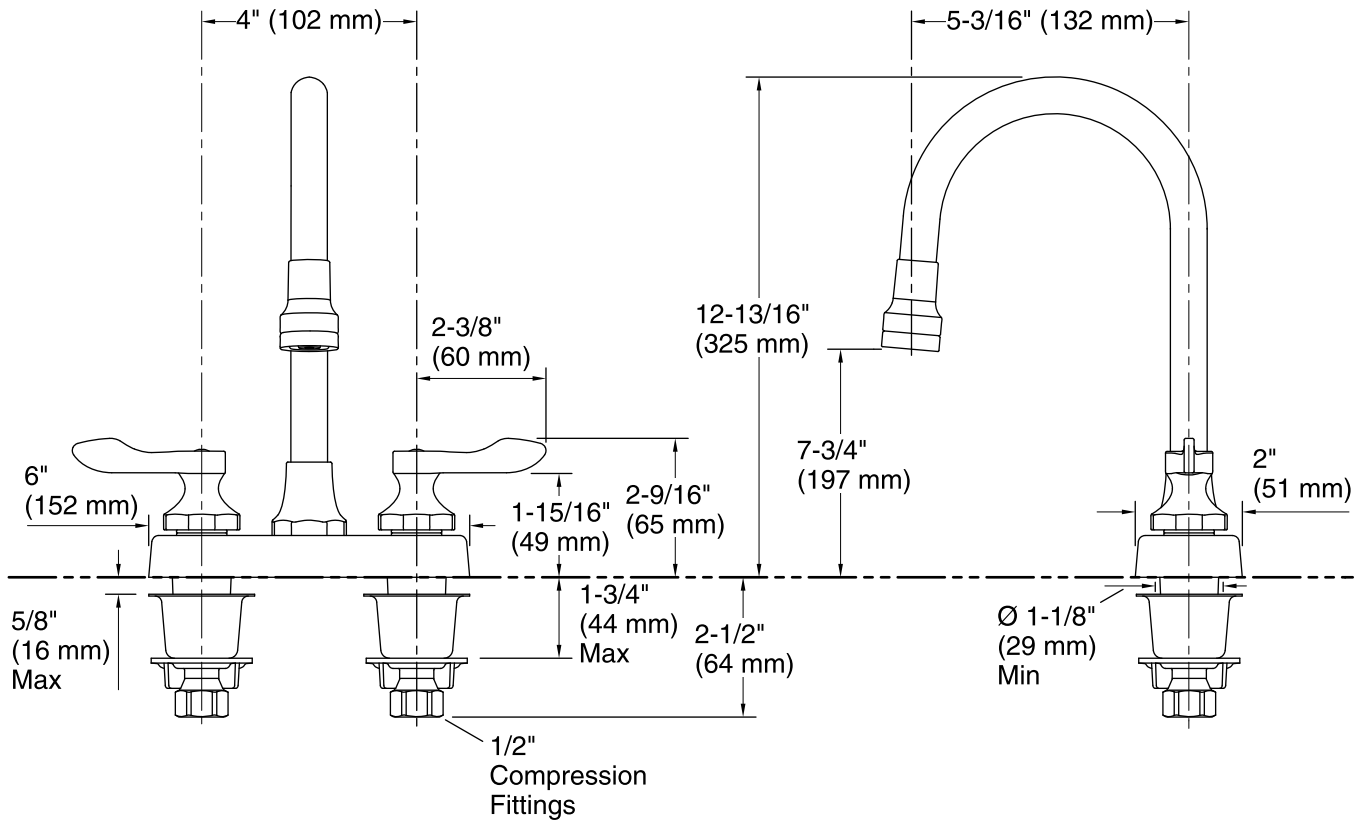
See website for detailed warranty information.

Available Colors/Finishes

Color tiles intended for reference only.

Color Code Description

 CP Polished Chrome



Technical Information

All product dimensions are nominal.

Faucet:

Flow rate: 1 gal/min (3.8 l/min)

Pressure: 60 psi (4.1 bar)

Spout:

Spout reach: 5-3/16" (132 mm)

Notes

Install this product according to the installation guide.

ADA compliant for handles only.

ADA, OBC, CSA B651 compliant when installed to the specific requirements of these regulations.



McGuire Manufacturing Co., Inc.

60 Grandview Court
Cheshire, Connecticut 06410
(203) 699-1801 Fax (203) 699-1813
customerservice@mcguiremfg.com mcguiremfg.com

PRODUCT SPECIFICATION

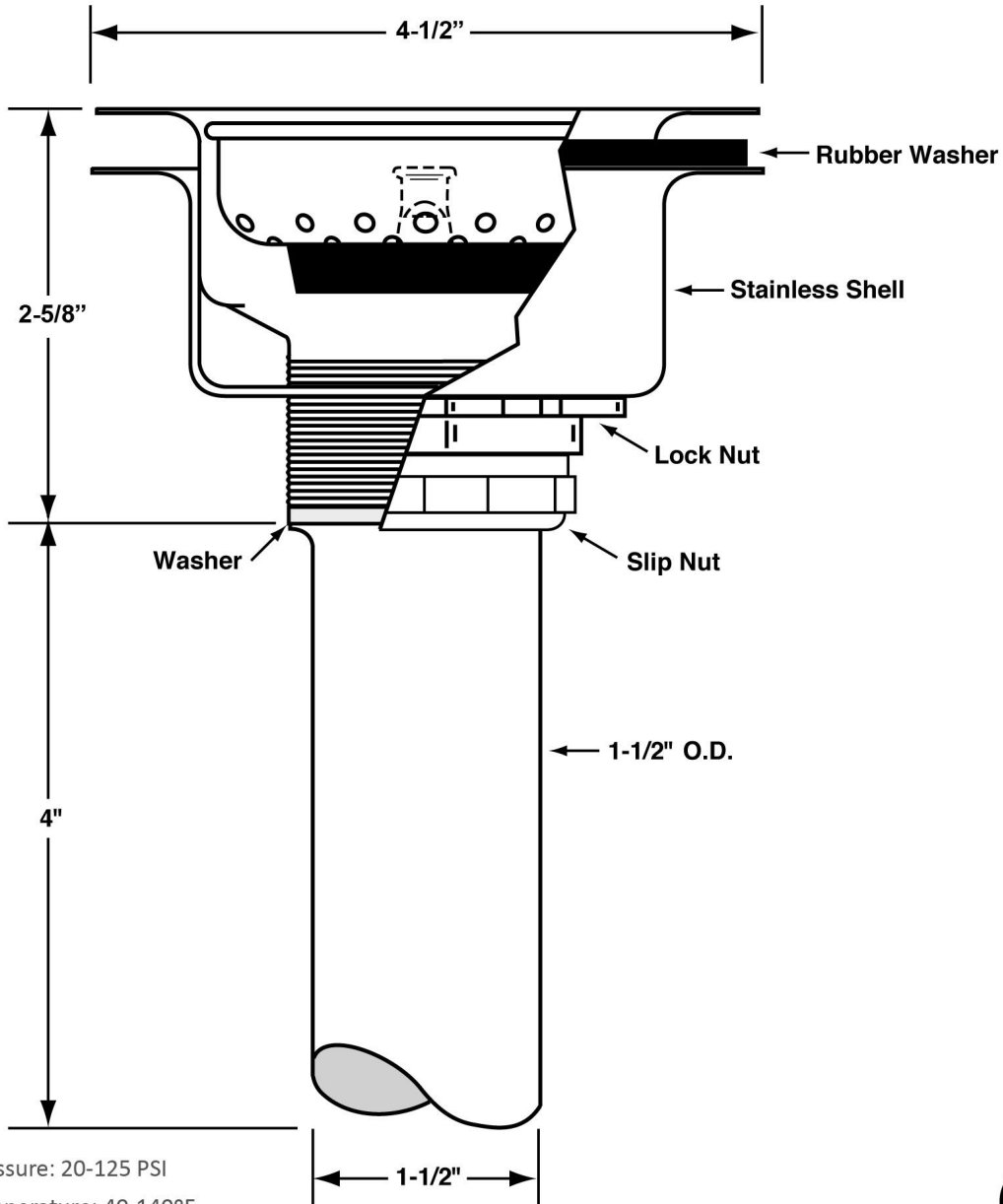
Part No.

151A

Stainless Steel
Basket Strainer

Job Name:

Submittal Number:



- Rated Operating Pressure: 20-125 PSI
- Rated Operating Temperature: 40-140°F
- Note: 180°F max. during temporary high-temperature system flush

See options and accessories section for details on product variations.



ASME A112.18.2/CSA B125.2

Specifications:

Heavy Duty Forged Stainless Steel Basket Strainer with 1-1/2" x 4" seamless brass tailpiece, die cast slip and lock nuts. Basket Strainer shall be in compliance with CSA or other recognized testing authority and bear both manufacturer and testing mark.



WARNING:

This product can expose you to chemicals including lead, which is known to the State of California to cause cancer, and birth defects or other reproductive harm. For more information go to www.P65Warnings.ca.gov.



**Dearborn®
Brass**

4675 W. 160th St.
Cleveland, Ohio 44135
Ph: (800) 321-9532
Fax: (800) 321-9535
www.dearbornbrass.com

SUBMITTAL SPECIFICATION

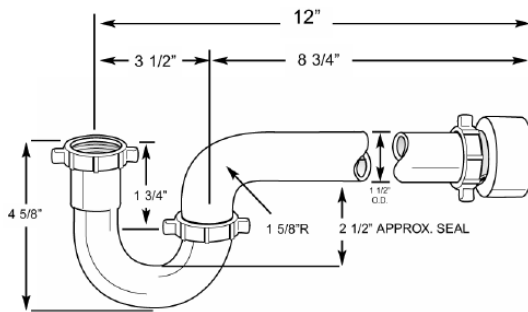
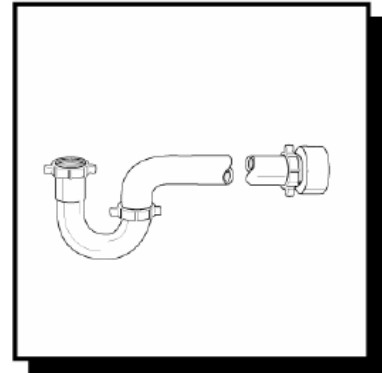
**PLASTIC TUBULAR
1-½" P-TRAP WITH THREADED ADAPTER**

Engineering Specification: Dearborn Brass Plastic Tubular 1-½" P-Traps with Threaded Adapter are designed for use in tubular drain applications. Options include PVC or ABS plastic adapter and True Blue Premium Washers for superior sealing. Available in white or black polypropylene plastic.

Job Reference

DESCRIPTION

- Made of polypropylene plastic
- Plastic Tubular P-Trap with Threaded Adapter
 - Plastic Tubular Quarter Bend
 - Plastic Tubular J-Bend
 - Schedule 40 Threaded Adapter
 - (3) Slip Joint Nuts
 - (1) 1-½" Washer
 - (1) 1-¼" x 1-½" Reducing Washer
- Reversible P-Trap includes reversible J-Bend
- Deep Flange P-Trap includes plastic deep flange



- Meets ASTM F 409
- IAPMO Listed



✓	Product No.	Description	Carton Quantity	Carton Weight (lbs)
	P9703W	1-½" P-Trap w/ Threaded PVC Adapter with True Blue Premium Washers – White		
	P9703BG	1-½" P-Trap w/ Threaded PVC Adapter & Reversible J-Bend – White, Bagged	25	19.4
	A9703WBG	1-½" P-Trap w/ Threaded PVC Adapter & Reversible J-Bend with True Blue Premium Washers –Black, Bagged	25	19.4
	P9704	1-½" P-Trap w/ Threaded PVC Adapter – White	25	11.8
	A9704	1-½" P-Trap w/ Threaded ABS Adapter – Black	25	11.7
	P9704A	1-½" P-Trap w/ Threaded ABS Adapter – White	25	11.8
	P9704AB	1-½" P-Trap w/ Threaded ABS Adapter – White, Bagged	25	19.2
X	P9704BG	1-½" P-Trap w/ Threaded PVC Adapter – White, Bagged	25	19.4
	P9704AWB	1-½" P-Trap w/ Threaded ABS Adapter & Reversible J-Bend with True Blue Premium Washers – White, Bagged	25	19.4
	A9704B	1-½" P-Trap w/ Threaded ABS Adapter – Black, Bagged	25	19.3
	P9704DF	1-½" P-Trap w/ Threaded PVC Adapter & Deep Flange– White	25	12.8
	A9704DF	1-½" P-Trap w/ Threaded ABS Adapter & Deep Flange – Black	25	12.6
	P9704DFB	1-½" P-Trap w/ Threaded PVC Adapter & Deep Flange – White, Bagged	25	21.2
	A9704WB	1-½" P-Trap w/ Threaded ABS Adapter & Reversible J-Bend with True Blue Premium Washers – Black, Bagged	25	19.4

For Residential and Commercial Applications

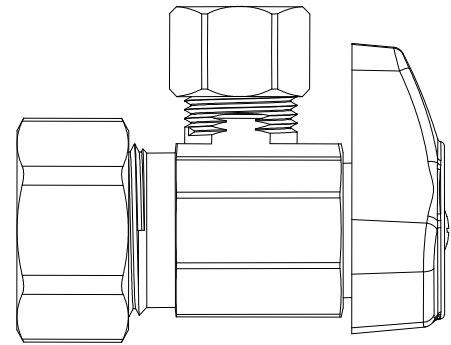
Job Name		Engineer / Architect	
Job Location		Wholesaler	
Submittal Date		Contractor	

G2CR09/ G2CR19/ G2CR39 1/4 Turn Angle Stop – Compression x Compression

Use: For use in potable water distribution systems. Not intended for recirculating water systems that produce continuous use temperatures above 115° F. For those applications, use our KT™ series ball stops.

Design Features:

- **One-piece shut-off mechanism** provides smooth on-off operation without freeze ups even after long periods of non-use
- **Positive 1/4 turn** shut off
- **Full-flow operation** with no waterway obstructions
- **Corrosion-resistant handle** is plated in an attractive chrome finish
- **Machined one-piece brass body** provides strength, durability, and long-lasting performance
- **Easy-to-remove handle** with screw attachment helps protect against accidental operation during rough-ins
- **100% Leak** tested
- **No Lead**
- **For use with** ASTM F876 PEX tubing, in ASTM F877 water distribution systems (parts containing PX and PXX only)
- **For use in** ASTM F877 water distribution systems as noted in Appendixes (parts containing PX and PXX only)



Operating Specifications:

Temperature: 40°- 140° F
Pressure: 125 PSI maximum

Standard

STOP MATERIAL SPECIFICATIONS	
Body	Brass
Stem Barrel	Santoprene
Stem Shaft	Glass-filled Polypropylene
O-ring	Rubber
Handle	Zinc die cast, chrome plated
Handle Screw	Zinc-plated steel
Compression Nut	Brass, chrome plated
Compression Sleeve	Brass
PEX Insert*	Stainless steel

No Lead

STOP MATERIAL SPECIFICATIONS	
Body	No-Lead brass
Stem Barrel	Santoprene
Stem Shaft	Glass-filled Polypropylene
O-ring	Rubber
Handle	Zinc die cast, chrome plated
Handle Screw	Zinc-plated steel
Compression Nut	Brass, chrome plated
Compression Sleeve	Brass
PEX Insert*	Stainless steel

*Where specified

This specification and all information contained herein is the confidential and exclusive property of BrassCraft Manufacturing, and shall not be disclosed to others without the written consent of BrassCraft. This specification must be returned to BrassCraft if requested.



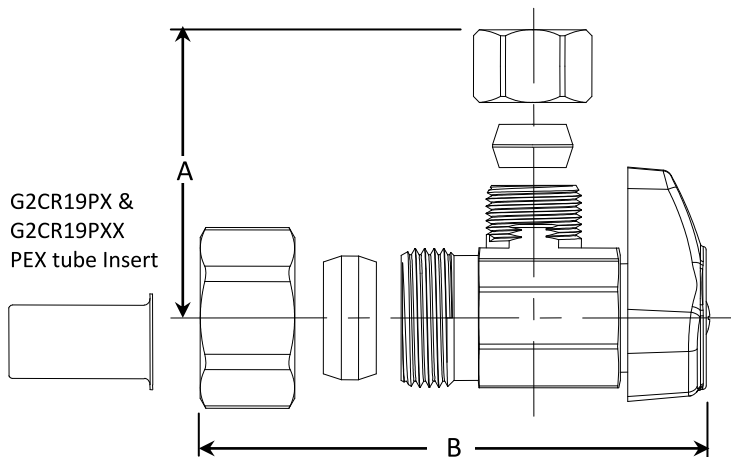
G2CR09/ G2CR19/ G2CR39 1/4 Turn Angle Stop – Compression x Compression

Standard Part Listing:

- G2CR09 C 1/2" nom compression x 1/4" OD compression, chrome plated
- G2CR09 C1 1/2" nom compression x 1/4" OD compression, chrome plated, window tray
- G2CR09 CD 1/2" nom compression x 1/4" OD compression, chrome plated, blister card
- G2CR09 R 1/2" nom compression x 1/4" OD compression, rough brass
- G2CR19 C 1/2" nom compression x 3/8" OD compression, chrome plated
- G2CR19 C1 1/2" nom compression x 3/8" OD compression, chrome plated, window tray
- G2CR19 CD 1/2" nom compression x 3/8" OD compression, chrome plated, blister card
- G2CR19 R 1/2" nom compression x 3/8" OD compression, rough brass
- G2CR19L1 CB 1/2" nom compression x 3/8" OD compression, less outlet nut, chrome plated, bulk
- G2CR19PX C 1/2" nom compression w/ PEX stainless steel insert x 3/8" OD compression, chrome plated
- G2CR39 C 1/2" nom compression x 1/2" OD compression, chrome plated
- G2CR39 C1 1/2" nom compression x 1/2" OD compression, chrome plated, window tray
- G2CR39 CD 1/2" nom compression x 1/2" OD compression, chrome plated, blister card
- G2CR39 R 1/2" nom compression x 1/2" OD compression, rough brass

No-Lead Part Listing:

- G2CR09X C 1/2" nom compression x 1/4" OD compression, chrome plated
- G2CR09X C1 1/2" nom compression x 1/4" OD compression, chrome plated, window tray
- G2CR09X CD 1/2" nom compression x 1/4" OD compression, chrome plated, blister card
- G2CR09X R 1/2" nom compression x 1/4" OD compression, rough brass
- G2CR19X C 1/2" nom compression x 3/8" OD compression, chrome plated
- G2CR19X C1 1/2" nom compression x 3/8" OD compression, chrome plated, window tray
- G2CR19X CD 1/2" nom compression x 3/8" OD compression, chrome plated, blister card
- G2CR19X R 1/2" nom compression x 3/8" OD compression, rough brass
- G2CR19PXX C 1/2" nom compression w/ PEX stainless steel insert x 3/8" OD compression, chrome plated
- G2CR19L1X CB 1/2" nom compression x 3/8" OD compression, less outlet nut, chrome plated, bulk
- G2CR39X CD 1/2" nom compression x 1/2" OD compression, chrome plated, blister card



PART DIMENSIONS (Inches)		
Model	DIM A	DIM B
G2CR09	1.02	2.16
G2CR19	1.02	2.16
G2CR19L1	.74	2.16
G2CR19PX	1.02	2.16
G2CR39	1.11	2.16

Listings & Certifications:

- IAPMO listed to ASME A112.18.1 / CSA B125.1 (File # 0645)
- CSA listed to ASME A112.18.1 / CSA B125.1 (File # 204593)
- No-Lead product CSA listed to Low Lead Content Certification Program – Plumbing Products Class 6853-01



This specification and all information contained herein is the confidential and exclusive property of BrassCraft Manufacturing, and shall not be disclosed to others without the written consent of BrassCraft. This specification must be returned to BrassCraft if requested.



For Residential and Commercial Applications

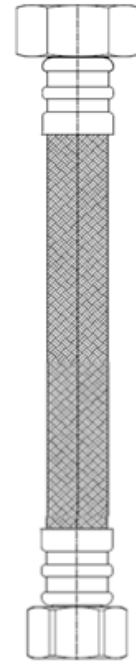
Job Name	Engineer / Architect
Job Location	Wholesaler
Submittal Date	Contractor

PLS1-** / PLS3-**A Stainless Steel Flexible Braided Faucet Water Connector - Compression Inlet x FIP Outlet

Use: For use only in potable water distribution systems in accessible locations only.

Part Listing:

- | | | |
|-------------------------------------|------------|---|
| <input type="checkbox"/> | PLS1-12A F | 3/8" compression x 1/2" FIP x 12" length, flag label |
| <input checked="" type="checkbox"/> | PLS1-16A F | 3/8" compression x 1/2" FIP x 16" length, flag label |
| <input type="checkbox"/> | PLS1-20A F | 3/8" compression x 1/2" FIP x 20" length, flag label |
| <input type="checkbox"/> | PLS1-24A F | 3/8" compression x 1/2" FIP x 24" length, flag label |
| <input type="checkbox"/> | PLS1-30A F | 3/8" compression x 1/2" FIP x 30" length, flag label |
| <input type="checkbox"/> | PLS1-36A F | 3/8" compression x 1/2" FIP x 36" length, flag label |
| <input type="checkbox"/> | PLS1-48A F | 3/8" compression x 1/2" FIP x 48" length, flag label |
| <input type="checkbox"/> | PLS1-60A F | 3/8" compression x 1/2" FIP x 60" length, flag label |
| <input type="checkbox"/> | PLS2-20A F | 7/16" compression x 1/2" FIP x 20" length, flag label |
| <input type="checkbox"/> | PLS3-12A F | 1/2" compression x 1/2" FIP x 12" length, flag label |
| <input type="checkbox"/> | PLS3-16A F | 1/2" compression x 1/2" FIP x 16" length, flag label |
| <input type="checkbox"/> | PLS3-20A F | 1/2" compression x 1/2" FIP x 20" length, flag label |
| <input type="checkbox"/> | PLS3-30A F | 1/2" compression x 1/2" FIP x 30" length, flag label |

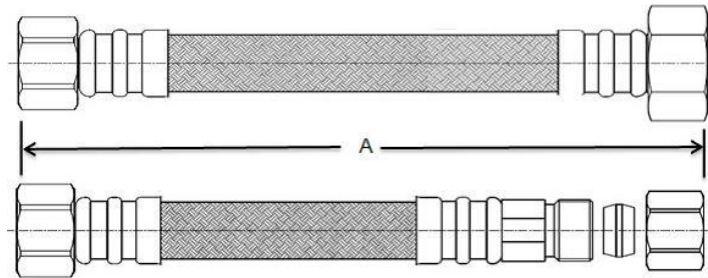


Operating Specifications		
Temperature	Pressure	Tubing Diameter
40°- 140° F, Intermittent to 180° F	125 PSI maximum	0.300" ID(0.510"OD)

MATERIAL SPECIFICATIONS	
Inner Hose	Reinforced PVC
Braiding	Stainless steel wire
Barb	Brass
Ferrule	Stainless steel
Nut	Brass
Washer	Rubber
Compression Nut	Brass

PART DIMENSIONS (Inches)	
Model	DIM. A
PLS1-12	12.0/13.0
PLS1-16	16.0/17.0
PLS1-20	20.0/21.0
PLS1-24	24.0/25.0
PLS1-30	30.0/31.0
PLS1-36	36.0/37.0

PART DIMENSIONS (Inches)	
Model	DIM. A
PLS1-48	48.0/49.0
PLS1-60	60.0/61.0
PLS2-20	20.0/21.0
PLS3-12	12.0/13.0
PLS3-16	16.0/17.0
PLS3-20	20.0/21.0
PLS3-30	30.0/31.0



Listings & Certifications:

- IAPMO listed to ASME A112.18.6 / CSA B125.6 (file # 5311)
- IAPMO listed to NSF 372 for Low-Lead Compliance (file #6624)
- IAPMO listed to NSF 61/9 (file #N-6632)



This specification and all information contained herein is the confidential and exclusive property of Brasscraft Manufacturing Co., and shall not be disclosed to others without the written consent of Brasscraft Mfg. Co. This specification must be returned to Brasscraft Mfg. Co. if requested.

S-3

PRODUCT SPECIFICATIONS

Elkay Lustertone™ Classic Stainless Steel 19" x 18" x 5-1/2" Single Bowl Drop-in ADA Sink. Sink is manufactured from 18 gauge 304 Stainless Steel with a Lustrous Satin finish, Rear Center drain placement, and Bottom only pads.

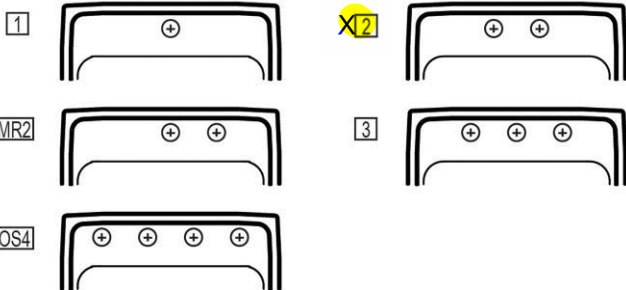
Installation Type:	Drop-in
Material:	304 Stainless Steel
Finish:	Lustrous Satin
Gauge:	18
Sound Deadening:	Bottom only pads
Number of Bowls:	1
Sink Dimensions:	19" x 18" x 5-1/2"
Bowl 1 Dimensions:	16" x 11-1/2" x 5-3/8"
Drain Size:	3-1/2" (89mm)
Drain Location:	Rear Center
Minimum Cabinet Size:	24"
Mounting Hardware:	Part # 64090012 included for countertops up to 3/4" (19mm) thick
Template Included:	No
Cutout Template #:	1000001260

Template is available for download at [elkay.com](#). CAD software will be required to open the template.

Cutout Dimensions for Drop-in Installation:
18-3/8" x 17-3/8" (467mm x 441mm) with 1-1/2" (38mm) corner radius

Hole Drilling Configurations:

1-1/2" (38mm) Diameter Faucet Holes on 4" (102mm) Centers



Shown with one-hole configuration. Other configurations available.

A Century of Tradition and Quality.
For more than 100 years, Elkay has been making innovative products and providing exceptional customer care. We take pride in offering plumbing products that make life easier, inspire change and leave the world a better place.

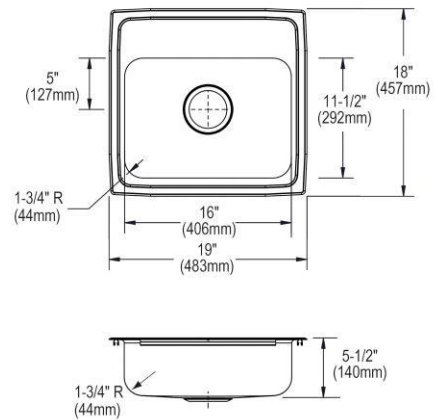
Product Compliance: ADA & ICC A117.1
ASME A112.19.3/CSA B45.4
Buy American Act



Sinks are listed by IAPMO® as meeting the applicable requirements of the Uniform Plumbing Code®, International Plumbing Code®, and National Plumbing Code of Canada.

[Clean and Care Manual \(PDF\)](#)
[Installation Instructions \(PDF\) - 1000005236](#)
[Warranty \(PDF\)](#)

Similar models are available with: 4" 4-1/2" 5" 6" and 6-1/2" depths, CuVerro antimicrobial copper, Quick-Clip Mounting System



PART: _____ QTY: _____
PROJECT: _____
CONTACT: _____
DATE: _____
NOTES: _____
APPROVAL: _____

In keeping with our policy of continuing product improvement, Elkay reserves the right to change product specifications without notice. Please visit [elkay.com](#) for the most current version of Elkay product specification sheets. This specification describes an Elkay product with design, quality, and functional benefits to the user. When making a comparison of other producers' offerings, be certain these features are not overlooked.

Features

- Quarter-turn washerless ceramic disc valves
- 5-3/16" (132 mm) spout reach
- Vandal-resistant aerated flow
- Lever handle
- Less drain
- 1.0 gal/min (3.8 l/m) maximum flow rate at 60 psi (4.14 bar).

Material

- Brass
- Brass valve bodies

Recommended Products/Accessories

K-23723 Faucet cleaner



ADA

CSA B651

OBC

Codes/Standards

ASME A112.18.1/CSA B125.1

NSF/ANSI/CAN 61

NSF/ANSI/CAN 372

All applicable US Federal and State material regulations

DOE - Energy Policy Act 1992

EPA WaterSense™

ADA

ICC/ANSI A117.1

CSA B651

OBC

KOHLER® One-Year Limited Warranty

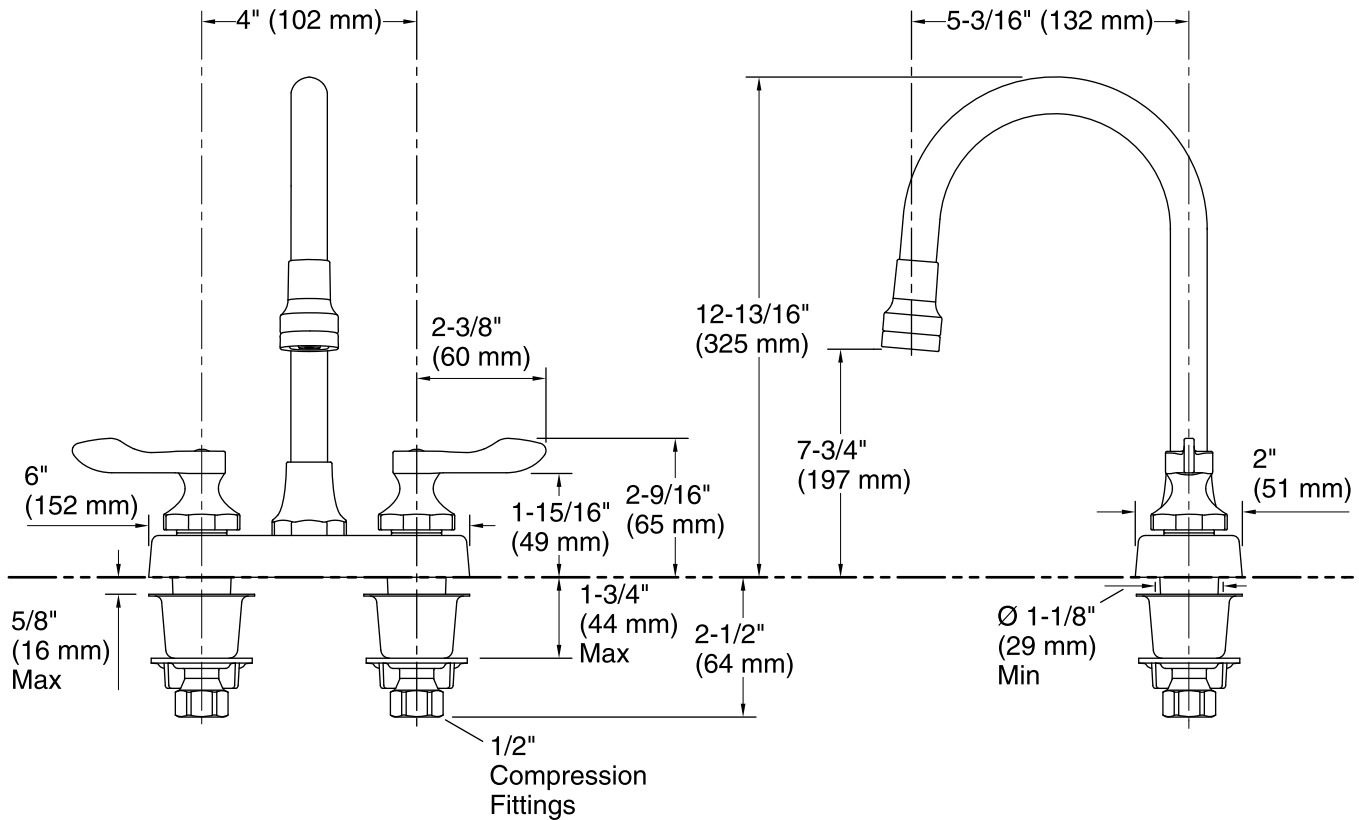
See website for detailed warranty information.

Available Colors/Finishes

Color tiles intended for reference only.

Color Code Description

 CP Polished Chrome



Technical Information

All product dimensions are nominal.

Faucet:

Flow rate: 1 gal/min (3.8 l/min)

Pressure: 60 psi (4.1 bar)

Spout:

Spout reach: 5-3/16" (132 mm)

Notes

Install this product according to the installation guide.

ADA compliant for handles only.

ADA, OBC, CSA B651 compliant when installed to the specific requirements of these regulations.



McGuire Manufacturing Co., Inc.

60 Grandview Court
Cheshire, Connecticut 06410
(203) 699-1801 Fax (203) 699-1813
customerservice@mcguiremfg.com mcguiremfg.com

PRODUCT SPECIFICATION

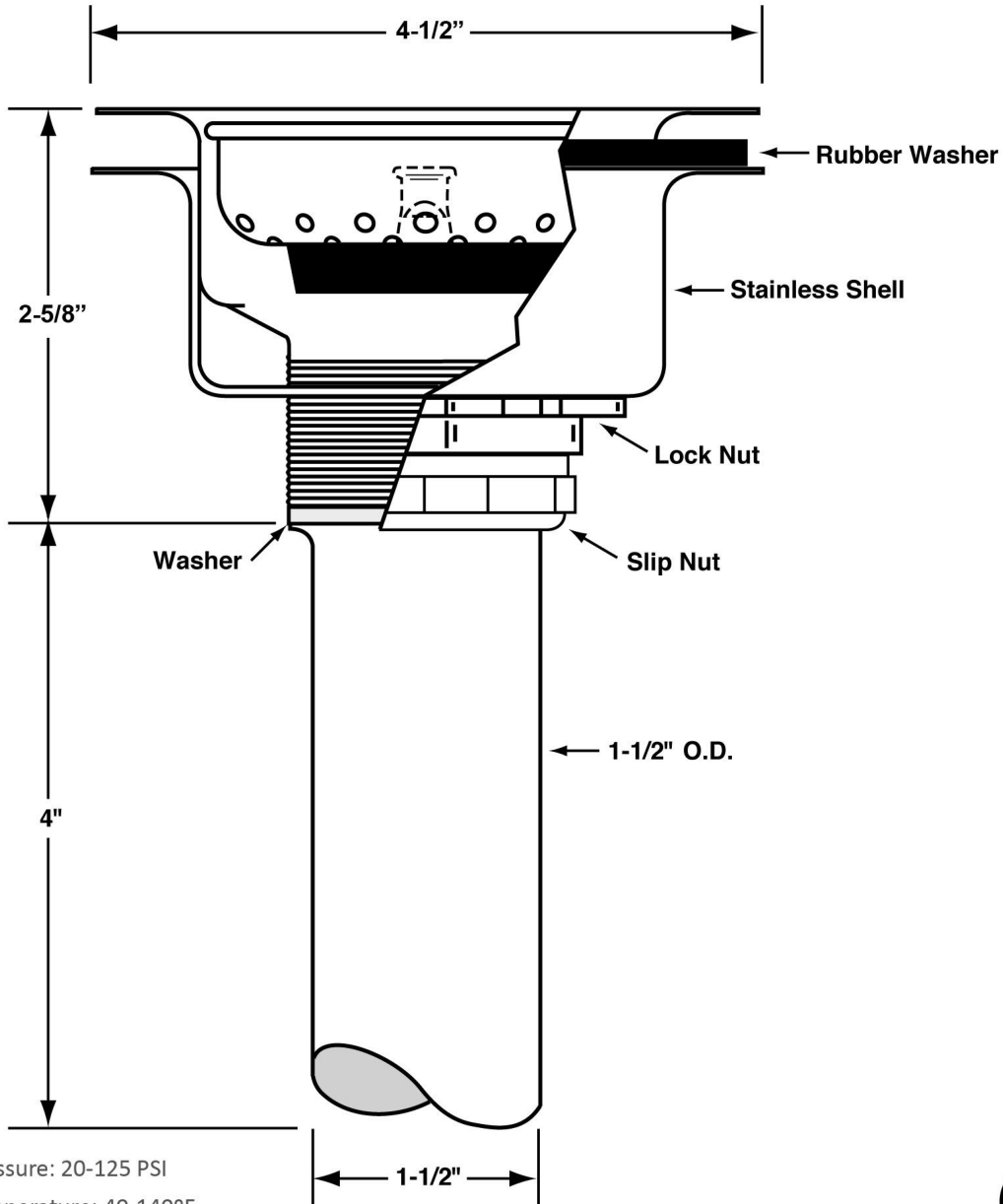
Part No.

151A

Stainless Steel
Basket Strainer

Job Name:

Submittal Number:



- Rated Operating Pressure: 20-125 PSI
- Rated Operating Temperature: 40-140°F
- Note: 180°F max. during temporary high-temperature system flush

See options and accessories section for details on product variations.



ASME A112.18.2/CSA B125.2

Specifications:

Heavy Duty Forged Stainless Steel Basket Strainer with 1-1/2" x 4" seamless brass tailpiece, die cast slip and lock nuts. Basket Strainer shall be in compliance with CSA or other recognized testing authority and bear both manufacturer and testing mark.



WARNING:

This product can expose you to chemicals including lead, which is known to the State of California to cause cancer, and birth defects or other reproductive harm. For more information go to www.P65Warnings.ca.gov.



**Dearborn®
Brass**

4675 W. 160th St.
Cleveland, Ohio 44135
Ph: (800) 321-9532
Fax: (800) 321-9535
www.dearbornbrass.com

SUBMITTAL SPECIFICATION

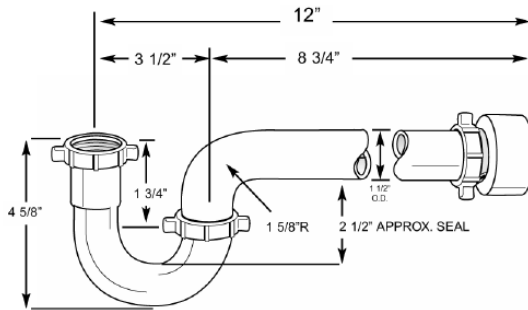
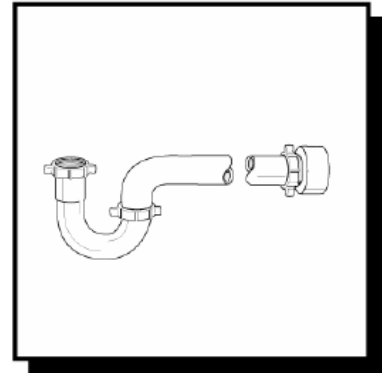
**PLASTIC TUBULAR
1-½" P-TRAP WITH THREADED ADAPTER**

Engineering Specification: Dearborn Brass Plastic Tubular 1-½" P-Traps with Threaded Adapter are designed for use in tubular drain applications. Options include PVC or ABS plastic adapter and True Blue Premium Washers for superior sealing. Available in white or black polypropylene plastic.

Job Reference

DESCRIPTION

- Made of polypropylene plastic
- Plastic Tubular P-Trap with Threaded Adapter
 - Plastic Tubular Quarter Bend
 - Plastic Tubular J-Bend
 - Schedule 40 Threaded Adapter
 - (3) Slip Joint Nuts
 - (1) 1-½" Washer
 - (1) 1-¼" x 1-½" Reducing Washer
- Reversible P-Trap includes reversible J-Bend
- Deep Flange P-Trap includes plastic deep flange



- Meets ASTM F 409
- IAPMO Listed



✓	Product No.	Description	Carton Quantity	Carton Weight (lbs)
	P9703W	1-½" P-Trap w/ Threaded PVC Adapter with True Blue Premium Washers – White		
	P9703BG	1-½" P-Trap w/ Threaded PVC Adapter & Reversible J-Bend – White, Bagged	25	19.4
	A9703WBG	1-½" P-Trap w/ Threaded PVC Adapter & Reversible J-Bend with True Blue Premium Washers –Black, Bagged	25	19.4
	P9704	1-½" P-Trap w/ Threaded PVC Adapter – White	25	11.8
	A9704	1-½" P-Trap w/ Threaded ABS Adapter – Black	25	11.7
	P9704A	1-½" P-Trap w/ Threaded ABS Adapter – White	25	11.8
	P9704AB	1-½" P-Trap w/ Threaded ABS Adapter – White, Bagged	25	19.2
X	P9704BG	1-½" P-Trap w/ Threaded PVC Adapter – White, Bagged	25	19.4
	P9704AWB	1-½" P-Trap w/ Threaded ABS Adapter & Reversible J-Bend with True Blue Premium Washers – White, Bagged	25	19.4
	A9704B	1-½" P-Trap w/ Threaded ABS Adapter – Black, Bagged	25	19.3
	P9704DF	1-½" P-Trap w/ Threaded PVC Adapter & Deep Flange– White	25	12.8
	A9704DF	1-½" P-Trap w/ Threaded ABS Adapter & Deep Flange – Black	25	12.6
	P9704DFB	1-½" P-Trap w/ Threaded PVC Adapter & Deep Flange – White, Bagged	25	21.2
	A9704WB	1-½" P-Trap w/ Threaded ABS Adapter & Reversible J-Bend with True Blue Premium Washers – Black, Bagged	25	19.4


For Residential and Commercial Applications

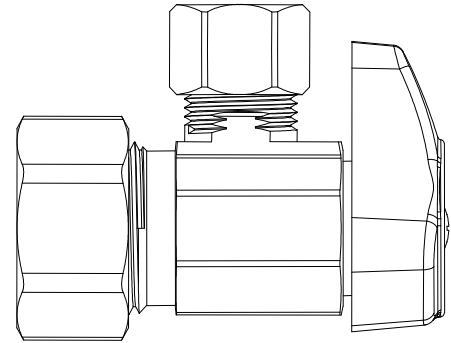
Job Name		Engineer / Architect	
Job Location		Wholesaler	
Submittal Date		Contractor	

G2CR09/ G2CR19/ G2CR39 1/4 Turn Angle Stop – Compression x Compression

Use: For use in potable water distribution systems. Not intended for recirculating water systems that produce continuous use temperatures above 115° F. For those applications, use our KT™ series ball stops.

Design Features:

- **One-piece shut-off mechanism** provides smooth on-off operation without freeze ups even after long periods of non-use
- **Positive 1/4 turn** shut off
- **Full-flow operation** with no waterway obstructions
- **Corrosion-resistant handle** is plated in an attractive chrome finish
- **Machined one-piece brass body** provides strength, durability, and long-lasting performance
- **Easy-to-remove handle** with screw attachment helps protect against accidental operation during rough-ins
- **100% Leak** tested
-  **No Lead**
- **For use with** ASTM F876 PEX tubing, in ASTM F877 water distribution systems (parts containing PX and PXX only)
- **For use in** ASTM F877 water distribution systems as noted in Appendixes (parts containing PX and PXX only)



Operating Specifications:

Temperature: 40°- 140° F
Pressure: 125 PSI maximum

Standard

STOP MATERIAL SPECIFICATIONS	
Body	Brass
Stem Barrel	Santoprene
Stem Shaft	Glass-filled Polypropylene
O-ring	Rubber
Handle	Zinc die cast, chrome plated
Handle Screw	Zinc-plated steel
Compression Nut	Brass, chrome plated
Compression Sleeve	Brass
PEX Insert*	Stainless steel

No Lead

STOP MATERIAL SPECIFICATIONS	
Body	No-Lead brass
Stem Barrel	Santoprene
Stem Shaft	Glass-filled Polypropylene
O-ring	Rubber
Handle	Zinc die cast, chrome plated
Handle Screw	Zinc-plated steel
Compression Nut	Brass, chrome plated
Compression Sleeve	Brass
PEX Insert*	Stainless steel

*Where specified

This specification and all information contained herein is the confidential and exclusive property of BrassCraft Manufacturing, and shall not be disclosed to others without the written consent of BrassCraft. This specification must be returned to BrassCraft if requested.



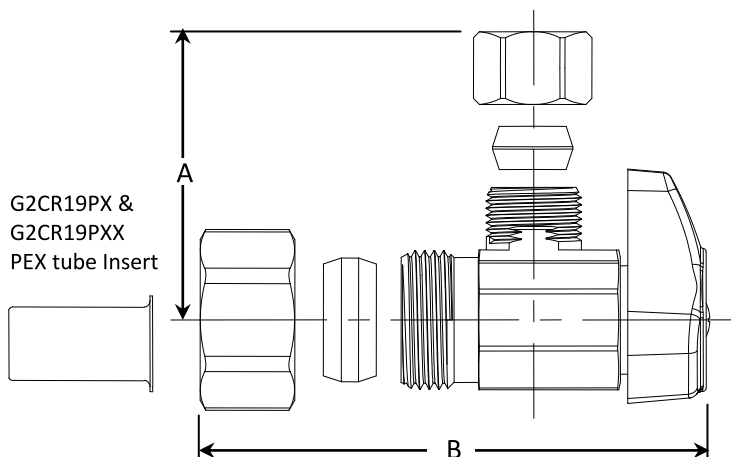
G2CR09/ G2CR19/ G2CR39 1/4 Turn Angle Stop – Compression x Compression

Standard Part Listing:

- G2CR09 C 1/2" nom compression x 1/4" OD compression, chrome plated
- G2CR09 C1 1/2" nom compression x 1/4" OD compression, chrome plated, window tray
- G2CR09 CD 1/2" nom compression x 1/4" OD compression, chrome plated, blister card
- G2CR09 R 1/2" nom compression x 1/4" OD compression, rough brass
- G2CR19 C 1/2" nom compression x 3/8" OD compression, chrome plated
- G2CR19 C1 1/2" nom compression x 3/8" OD compression, chrome plated, window tray
- G2CR19 CD 1/2" nom compression x 3/8" OD compression, chrome plated, blister card
- G2CR19 R 1/2" nom compression x 3/8" OD compression, rough brass
- G2CR19L1 CB 1/2" nom compression x 3/8" OD compression, less outlet nut, chrome plated, bulk
- G2CR19PX C 1/2" nom compression w/ PEX stainless steel insert x 3/8" OD compression, chrome plated
- G2CR39 C 1/2" nom compression x 1/2" OD compression, chrome plated
- G2CR39 C1 1/2" nom compression x 1/2" OD compression, chrome plated, window tray
- G2CR39 CD 1/2" nom compression x 1/2" OD compression, chrome plated, blister card
- G2CR39 R 1/2" nom compression x 1/2" OD compression, rough brass

No-Lead Part Listing:

- G2CR09X C 1/2" nom compression x 1/4" OD compression, chrome plated
- G2CR09X C1 1/2" nom compression x 1/4" OD compression, chrome plated, window tray
- G2CR09X CD 1/2" nom compression x 1/4" OD compression, chrome plated, blister card
- G2CR09X R 1/2" nom compression x 1/4" OD compression, rough brass
- G2CR19X C 1/2" nom compression x 3/8" OD compression, chrome plated
- G2CR19X C1 1/2" nom compression x 3/8" OD compression, chrome plated, window tray
- G2CR19X CD 1/2" nom compression x 3/8" OD compression, chrome plated, blister card
- G2CR19X R 1/2" nom compression x 3/8" OD compression, rough brass
- G2CR19PXX C 1/2" nom compression w/ PEX stainless steel insert x 3/8" OD compression, chrome plated
- G2CR19L1X CB 1/2" nom compression x 3/8" OD compression, less outlet nut, chrome plated, bulk
- G2CR39X CD 1/2" nom compression x 1/2" OD compression, chrome plated, blister card



PART DIMENSIONS (Inches)		
Model	DIM A	DIM B
G2CR09	1.02	2.16
G2CR19	1.02	2.16
G2CR19L1	.74	2.16
G2CR19PX	1.02	2.16
G2CR39	1.11	2.16

Listings & Certifications:

- IAPMO listed to ASME A112.18.1 / CSA B125.1 (File # 0645)
- CSA listed to ASME A112.18.1 / CSA B125.1 (File # 204593)
- No-Lead product CSA listed to Low Lead Content Certification Program – Plumbing Products Class 6853-01



This specification and all information contained herein is the confidential and exclusive property of BrassCraft Manufacturing, and shall not be disclosed to others without the written consent of BrassCraft. This specification must be returned to BrassCraft if requested.



For Residential and Commercial Applications

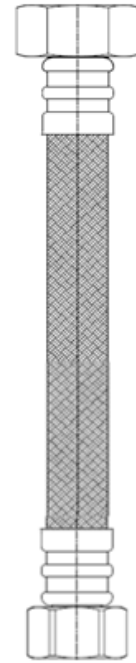
Job Name	Engineer / Architect
Job Location	Wholesaler
Submittal Date	Contractor

PLS1-** / PLS3-**A Stainless Steel Flexible Braided Faucet Water Connector - Compression Inlet x FIP Outlet

Use: For use only in potable water distribution systems in accessible locations only.

Part Listing:

- | | | |
|-------------------------------------|------------|---|
| <input type="checkbox"/> | PLS1-12A F | 3/8" compression x 1/2" FIP x 12" length, flag label |
| <input checked="" type="checkbox"/> | PLS1-16A F | 3/8" compression x 1/2" FIP x 16" length, flag label |
| <input type="checkbox"/> | PLS1-20A F | 3/8" compression x 1/2" FIP x 20" length, flag label |
| <input type="checkbox"/> | PLS1-24A F | 3/8" compression x 1/2" FIP x 24" length, flag label |
| <input type="checkbox"/> | PLS1-30A F | 3/8" compression x 1/2" FIP x 30" length, flag label |
| <input type="checkbox"/> | PLS1-36A F | 3/8" compression x 1/2" FIP x 36" length, flag label |
| <input type="checkbox"/> | PLS1-48A F | 3/8" compression x 1/2" FIP x 48" length, flag label |
| <input type="checkbox"/> | PLS1-60A F | 3/8" compression x 1/2" FIP x 60" length, flag label |
| <input type="checkbox"/> | PLS2-20A F | 7/16" compression x 1/2" FIP x 20" length, flag label |
| <input type="checkbox"/> | PLS3-12A F | 1/2" compression x 1/2" FIP x 12" length, flag label |
| <input type="checkbox"/> | PLS3-16A F | 1/2" compression x 1/2" FIP x 16" length, flag label |
| <input type="checkbox"/> | PLS3-20A F | 1/2" compression x 1/2" FIP x 20" length, flag label |
| <input type="checkbox"/> | PLS3-30A F | 1/2" compression x 1/2" FIP x 30" length, flag label |

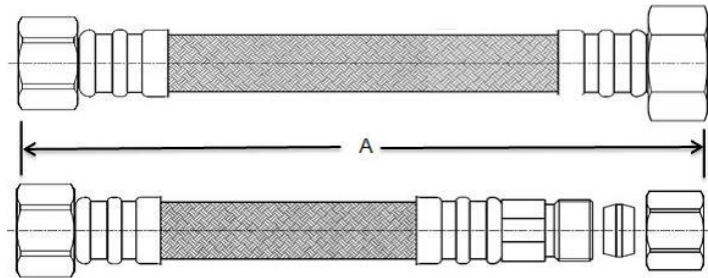


Operating Specifications		
Temperature	Pressure	Tubing Diameter
40°- 140° F, Intermittent to 180° F	125 PSI maximum	0.300" ID(0.510"OD)

MATERIAL SPECIFICATIONS	
Inner Hose	Reinforced PVC
Braiding	Stainless steel wire
Barb	Brass
Ferrule	Stainless steel
Nut	Brass
Washer	Rubber
Compression Nut	Brass

PART DIMENSIONS (Inches)	
Model	DIM. A
PLS1-12	12.0/13.0
PLS1-16	16.0/17.0
PLS1-20	20.0/21.0
PLS1-24	24.0/25.0
PLS1-30	30.0/31.0
PLS1-36	36.0/37.0

PART DIMENSIONS (Inches)	
Model	DIM. A
PLS1-48	48.0/49.0
PLS1-60	60.0/61.0
PLS2-20	20.0/21.0
PLS3-12	12.0/13.0
PLS3-16	16.0/17.0
PLS3-20	20.0/21.0
PLS3-30	30.0/31.0



Listings & Certifications:

- IAPMO listed to ASME A112.18.6 / CSA B125.6 (file # 5311)
- IAPMO listed to NSF 372 for Low-Lead Compliance (file #6624)
- IAPMO listed to NSF 61/9 (file #N-6632)



This specification and all information contained herein is the confidential and exclusive property of Brasscraft Manufacturing Co., and shall not be disclosed to others without the written consent of Brasscraft Mfg. Co. This specification must be returned to Brasscraft Mfg. Co. if requested.

S-4

PRODUCT SPECIFICATIONS

Elkay Lustertone™ Classic Stainless Steel, 30-3/4" x 18-1/2" x 5-3/8" Equal Double Bowl Undermount ADA Sink. Sink is manufactured from 18 gauge 304 Stainless Steel with a Lustrous Satin finish, Rear Center drain placement, and Bottom only pads.

Installation Type:	Undermount
Material:	304 Stainless Steel
Finish:	Lustrous Satin
Gauge:	18
Sound Deadening:	Bottom only pads
Number of Bowls:	2
Sink Dimensions:	30-3/4" x 18-1/2" x 5-3/8"
Bowl 1 Dimensions:	13-1/2" x 16" x 5-3/8"
Bowl 2 Dimensions:	13-1/2" x 16" x 5-3/8"
Drain Size:	3-1/2" (89mm)
Drain Location:	Rear Center
Minimum Cabinet Size:	36"
Mounting Hardware:	Undermount brackets sold separately
Template Included:	Yes
Cutout Template #:	1000001312

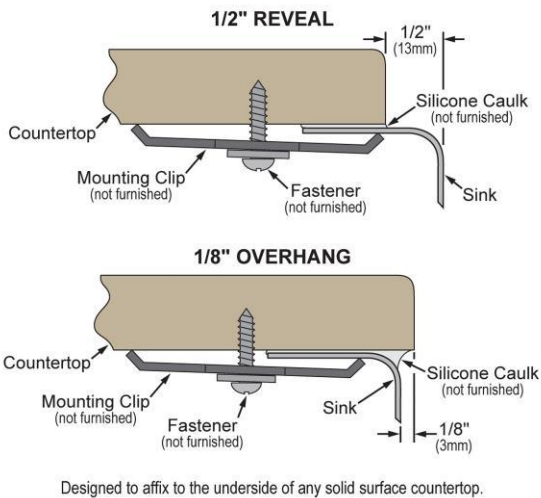
Template is available for download at [elkay.com](#). CAD software will be required to open the template.



A Century of Tradition and Quality. For more than 100 years, Elkay has been making innovative products and providing exceptional customer care. We take pride in offering plumbing products that make life easier, inspire change and leave the world a better place.

Product Compliance: ADA & ICC A117.1
ASME A112.19.3/CSA B45.4
Buy American Act

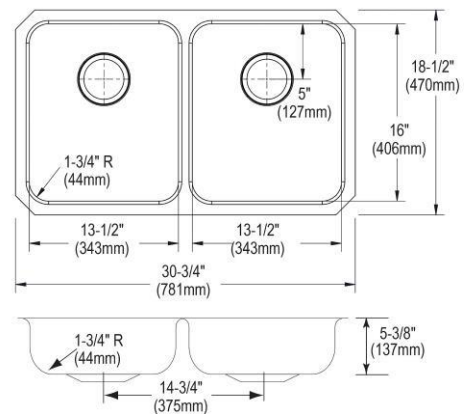
Installation Profile:



Sinks are listed by IAPMO® as meeting the applicable requirements of the Uniform Plumbing Code®, International Plumbing Code®, and National Plumbing Code of Canada.

[Clean and Care Manual \(PDF\)](#)
[Installation Instructions \(PDF\) - 1000005239](#)
[Warranty \(PDF\)](#)

Similar models are available with: 4-1/2" and 5" depths, Perfect Drain



PART: _____ QTY: _____
PROJECT: _____
CONTACT: _____
DATE: _____
NOTES: _____
APPROVAL: _____

In keeping with our policy of continuing product improvement, Elkay reserves the right to change product specifications without notice. Please visit [elkay.com](#) for the most current version of Elkay product specification sheets. This specification describes an Elkay product with design, quality, and functional benefits to the user. When making a comparison of other producers' offerings, be certain these features are not overlooked.

Features

- Quarter-turn washerless ceramic disc valves
- 5-3/16" (132 mm) spout reach
- Vandal-resistant aerated flow
- Lever handle
- Less drain
- 1.0 gal/min (3.8 l/m) maximum flow rate at 60 psi (4.14 bar).

Material

- Brass
- Brass valve bodies

Recommended Products/Accessories

K-23723 Faucet cleaner



ADA

CSA B651

OBC

Codes/Standards

ASME A112.18.1/CSA B125.1

NSF/ANSI/CAN 61

NSF/ANSI/CAN 372

All applicable US Federal and State material regulations

DOE - Energy Policy Act 1992

EPA WaterSense™

ADA

ICC/ANSI A117.1

CSA B651

OBC

KOHLER® One-Year Limited Warranty

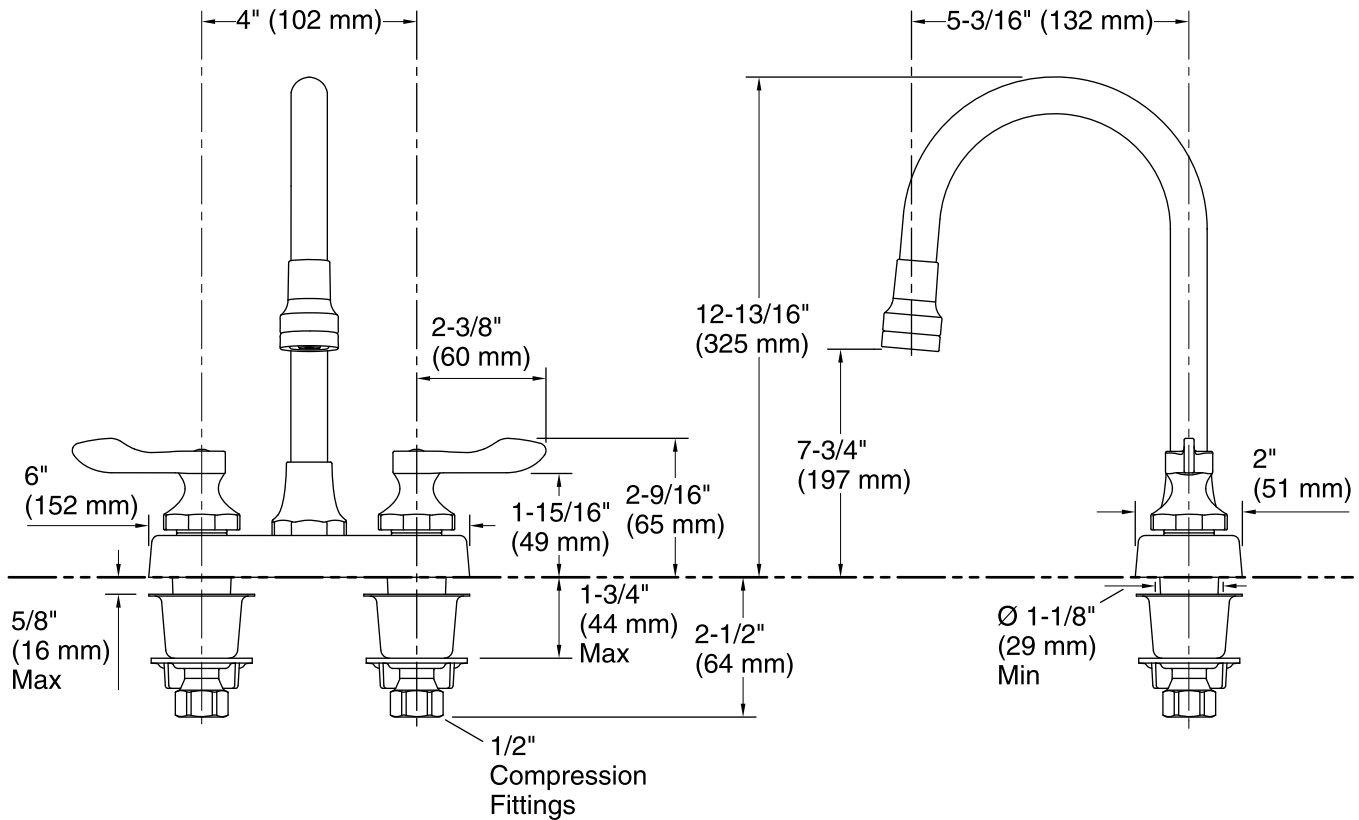
See website for detailed warranty information.

Available Colors/Finishes

Color tiles intended for reference only.

Color Code Description

 CP Polished Chrome



Technical Information

All product dimensions are nominal.

Faucet:

Flow rate: 1 gal/min (3.8 l/min)

Pressure: 60 psi (4.1 bar)

Spout:

Spout reach: 5-3/16" (132 mm)

Notes

Install this product according to the installation guide.

ADA compliant for handles only.

ADA, OBC, CSA B651 compliant when installed to the specific requirements of these regulations.



McGuire Manufacturing Co., Inc.

60 Grandview Court
Cheshire, Connecticut 06410
(203) 699-1801 Fax (203) 699-1813
customerservice@mcguiremfg.com mcguiremfg.com

PRODUCT SPECIFICATION

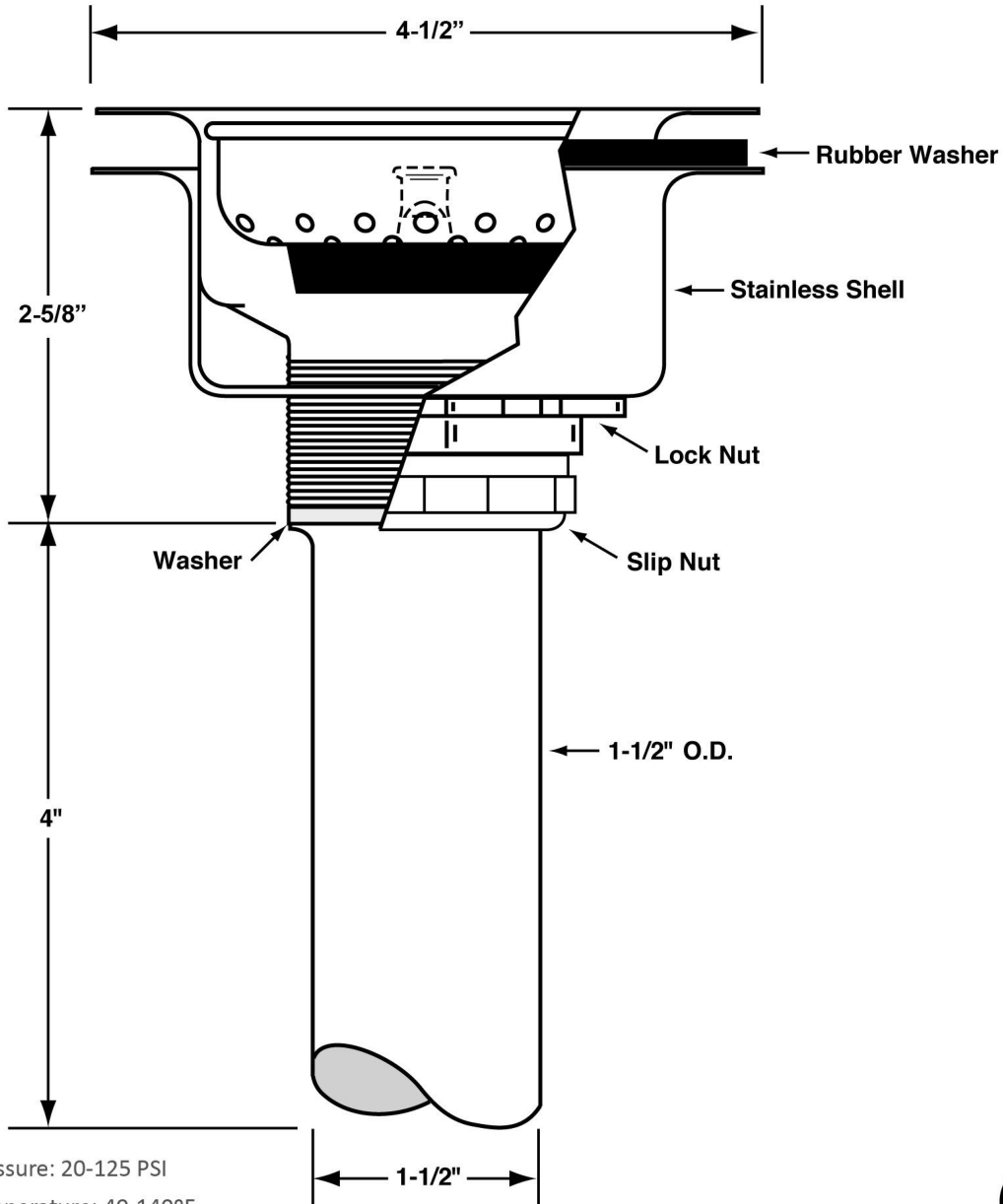
Part No.

151A

Stainless Steel
Basket Strainer

Job Name:

Submittal Number:



- Rated Operating Pressure: 20-125 PSI
- Rated Operating Temperature: 40-140°F
- Note: 180°F max. during temporary high-temperature system flush

See options and accessories section for details on product variations.



ASME A112.18.2/CSA B125.2

Specifications:

Heavy Duty Forged Stainless Steel Basket Strainer with 1-1/2" x 4" seamless brass tailpiece, die cast slip and lock nuts. Basket Strainer shall be in compliance with CSA or other recognized testing authority and bear both manufacturer and testing mark.



WARNING:

This product can expose you to chemicals including lead, which is known to the State of California to cause cancer, and birth defects or other reproductive harm. For more information go to www.P65Warnings.ca.gov.



**Dearborn®
Brass**

4675 W. 160th St.
Cleveland, Ohio 44135
Ph: (800) 321-9532
Fax: (800) 321-9535
www.dearbornbrass.com

SUBMITTAL SPECIFICATION

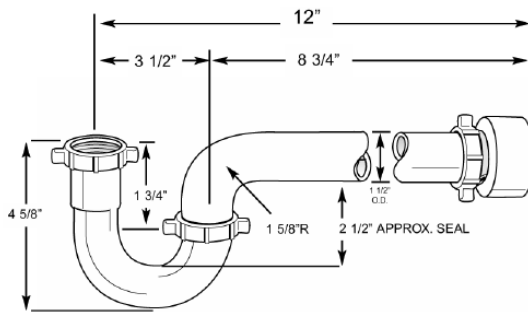
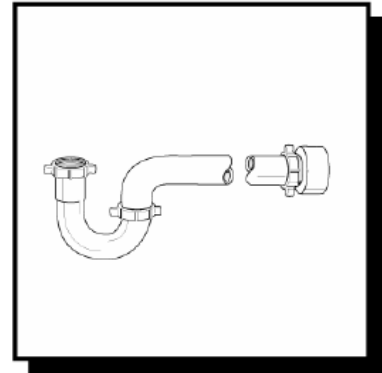
**PLASTIC TUBULAR
1-½" P-TRAP WITH THREADED ADAPTER**

Engineering Specification: Dearborn Brass Plastic Tubular 1-½" P-Traps with Threaded Adapter are designed for use in tubular drain applications. Options include PVC or ABS plastic adapter and True Blue Premium Washers for superior sealing. Available in white or black polypropylene plastic.

Job Reference

DESCRIPTION

- Made of polypropylene plastic
- Plastic Tubular P-Trap with Threaded Adapter
 - Plastic Tubular Quarter Bend
 - Plastic Tubular J-Bend
 - Schedule 40 Threaded Adapter
 - (3) Slip Joint Nuts
 - (1) 1-½" Washer
 - (1) 1-¼" x 1-½" Reducing Washer
- Reversible P-Trap includes reversible J-Bend
- Deep Flange P-Trap includes plastic deep flange



- Meets ASTM F 409
- IAPMO Listed



✓	Product No.	Description	Carton Quantity	Carton Weight (lbs)
	P9703W	1-½" P-Trap w/ Threaded PVC Adapter with True Blue Premium Washers – White		
	P9703BG	1-½" P-Trap w/ Threaded PVC Adapter & Reversible J-Bend – White, Bagged	25	19.4
	A9703WBG	1-½" P-Trap w/ Threaded PVC Adapter & Reversible J-Bend with True Blue Premium Washers –Black, Bagged	25	19.4
	P9704	1-½" P-Trap w/ Threaded PVC Adapter – White	25	11.8
	A9704	1-½" P-Trap w/ Threaded ABS Adapter – Black	25	11.7
	P9704A	1-½" P-Trap w/ Threaded ABS Adapter – White	25	11.8
	P9704AB	1-½" P-Trap w/ Threaded ABS Adapter – White, Bagged	25	19.2
X	P9704BG	1-½" P-Trap w/ Threaded PVC Adapter – White, Bagged	25	19.4
	P9704AWB	1-½" P-Trap w/ Threaded ABS Adapter & Reversible J-Bend with True Blue Premium Washers – White, Bagged	25	19.4
	A9704B	1-½" P-Trap w/ Threaded ABS Adapter – Black, Bagged	25	19.3
	P9704DF	1-½" P-Trap w/ Threaded PVC Adapter & Deep Flange– White	25	12.8
	A9704DF	1-½" P-Trap w/ Threaded ABS Adapter & Deep Flange – Black	25	12.6
	P9704DFB	1-½" P-Trap w/ Threaded PVC Adapter & Deep Flange – White, Bagged	25	21.2
	A9704WB	1-½" P-Trap w/ Threaded ABS Adapter & Reversible J-Bend with True Blue Premium Washers – Black, Bagged	25	19.4

For Residential and Commercial Applications

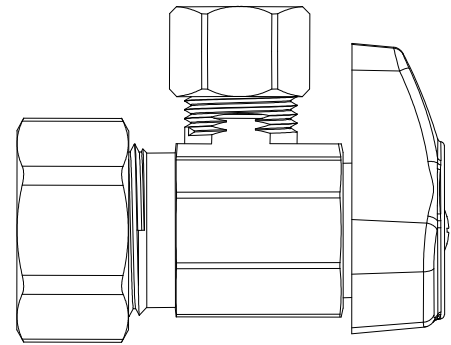
Job Name		Engineer / Architect	
Job Location		Wholesaler	
Submittal Date		Contractor	

G2CR09/ G2CR19/ G2CR39 1/4 Turn Angle Stop – Compression x Compression

Use: For use in potable water distribution systems. Not intended for recirculating water systems that produce continuous use temperatures above 115° F. For those applications, use our KT™ series ball stops.

Design Features:

- **One-piece shut-off mechanism** provides smooth on-off operation without freeze ups even after long periods of non-use
- **Positive 1/4 turn** shut off
- **Full-flow operation** with no waterway obstructions
- **Corrosion-resistant handle** is plated in an attractive chrome finish
- **Machined one-piece brass body** provides strength, durability, and long-lasting performance
- **Easy-to-remove handle** with screw attachment helps protect against accidental operation during rough-ins
- **100% Leak** tested
- **No Lead**
- **For use with** ASTM F876 PEX tubing, in ASTM F877 water distribution systems (parts containing PX and PXX only)
- **For use in** ASTM F877 water distribution systems as noted in Appendixes (parts containing PX and PXX only)



Operating Specifications:

Temperature: 40°- 140° F
Pressure: 125 PSI maximum

Standard

STOP MATERIAL SPECIFICATIONS	
Body	Brass
Stem Barrel	Santoprene
Stem Shaft	Glass-filled Polypropylene
O-ring	Rubber
Handle	Zinc die cast, chrome plated
Handle Screw	Zinc-plated steel
Compression Nut	Brass, chrome plated
Compression Sleeve	Brass
PEX Insert*	Stainless steel

No Lead

STOP MATERIAL SPECIFICATIONS	
Body	No-Lead brass
Stem Barrel	Santoprene
Stem Shaft	Glass-filled Polypropylene
O-ring	Rubber
Handle	Zinc die cast, chrome plated
Handle Screw	Zinc-plated steel
Compression Nut	Brass, chrome plated
Compression Sleeve	Brass
PEX Insert*	Stainless steel

*Where specified

This specification and all information contained herein is the confidential and exclusive property of BrassCraft Manufacturing, and shall not be disclosed to others without the written consent of BrassCraft. This specification must be returned to BrassCraft if requested.



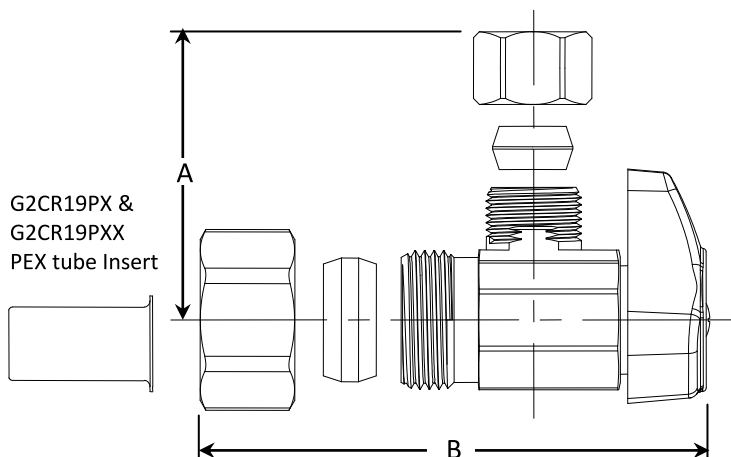
G2CR09/ G2CR19/ G2CR39 1/4 Turn Angle Stop – Compression x Compression

Standard Part Listing:

- G2CR09 C 1/2" nom compression x 1/4" OD compression, chrome plated
- G2CR09 C1 1/2" nom compression x 1/4" OD compression, chrome plated, window tray
- G2CR09 CD 1/2" nom compression x 1/4" OD compression, chrome plated, blister card
- G2CR09 R 1/2" nom compression x 1/4" OD compression, rough brass
- G2CR19 C 1/2" nom compression x 3/8" OD compression, chrome plated
- G2CR19 C1 1/2" nom compression x 3/8" OD compression, chrome plated, window tray
- G2CR19 CD 1/2" nom compression x 3/8" OD compression, chrome plated, blister card
- G2CR19 R 1/2" nom compression x 3/8" OD compression, rough brass
- G2CR19L1 CB 1/2" nom compression x 3/8" OD compression, less outlet nut, chrome plated, bulk
- G2CR19PX C 1/2" nom compression w/ PEX stainless steel insert x 3/8" OD compression, chrome plated
- G2CR39 C 1/2" nom compression x 1/2" OD compression, chrome plated
- G2CR39 C1 1/2" nom compression x 1/2" OD compression, chrome plated, window tray
- G2CR39 CD 1/2" nom compression x 1/2" OD compression, chrome plated, blister card
- G2CR39 R 1/2" nom compression x 1/2" OD compression, rough brass

No-Lead Part Listing:

- G2CR09X C 1/2" nom compression x 1/4" OD compression, chrome plated
- G2CR09X C1 1/2" nom compression x 1/4" OD compression, chrome plated, window tray
- G2CR09X CD 1/2" nom compression x 1/4" OD compression, chrome plated, blister card
- G2CR09X R 1/2" nom compression x 1/4" OD compression, rough brass
- G2CR19X C 1/2" nom compression x 3/8" OD compression, chrome plated
- G2CR19X C1 1/2" nom compression x 3/8" OD compression, chrome plated, window tray
- G2CR19X CD 1/2" nom compression x 3/8" OD compression, chrome plated, blister card
- G2CR19X R 1/2" nom compression x 3/8" OD compression, rough brass
- G2CR19PXX C 1/2" nom compression w/ PEX stainless steel insert x 3/8" OD compression, chrome plated
- G2CR19L1X CB 1/2" nom compression x 3/8" OD compression, less outlet nut, chrome plated, bulk
- G2CR39X CD 1/2" nom compression x 1/2" OD compression, chrome plated, blister card



PART DIMENSIONS (Inches)		
Model	DIM A	DIM B
G2CR09	1.02	2.16
G2CR19	1.02	2.16
G2CR19L1	.74	2.16
G2CR19PX	1.02	2.16
G2CR39	1.11	2.16

Listings & Certifications:

- IAPMO listed to ASME A112.18.1 / CSA B125.1 (File # 0645)
- CSA listed to ASME A112.18.1 / CSA B125.1 (File # 204593)
- No-Lead product CSA listed to Low Lead Content Certification Program – Plumbing Products Class 6853-01



This specification and all information contained herein is the confidential and exclusive property of BrassCraft Manufacturing, and shall not be disclosed to others without the written consent of BrassCraft. This specification must be returned to BrassCraft if requested.

BrassCraft®

For Residential and Commercial Applications

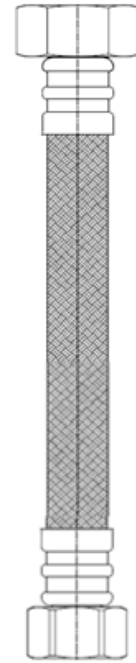
Job Name	Engineer / Architect
Job Location	Wholesaler
Submittal Date	Contractor

PLS1-** / PLS3-**A Stainless Steel Flexible Braided Faucet Water Connector - Compression Inlet x FIP Outlet

Use: For use only in potable water distribution systems in accessible locations only.

Part Listing:

- | | | |
|-------------------------------------|------------|---|
| <input type="checkbox"/> | PLS1-12A F | 3/8" compression x 1/2" FIP x 12" length, flag label |
| <input checked="" type="checkbox"/> | PLS1-16A F | 3/8" compression x 1/2" FIP x 16" length, flag label |
| <input type="checkbox"/> | PLS1-20A F | 3/8" compression x 1/2" FIP x 20" length, flag label |
| <input type="checkbox"/> | PLS1-24A F | 3/8" compression x 1/2" FIP x 24" length, flag label |
| <input type="checkbox"/> | PLS1-30A F | 3/8" compression x 1/2" FIP x 30" length, flag label |
| <input type="checkbox"/> | PLS1-36A F | 3/8" compression x 1/2" FIP x 36" length, flag label |
| <input type="checkbox"/> | PLS1-48A F | 3/8" compression x 1/2" FIP x 48" length, flag label |
| <input type="checkbox"/> | PLS1-60A F | 3/8" compression x 1/2" FIP x 60" length, flag label |
| <input type="checkbox"/> | PLS2-20A F | 7/16" compression x 1/2" FIP x 20" length, flag label |
| <input type="checkbox"/> | PLS3-12A F | 1/2" compression x 1/2" FIP x 12" length, flag label |
| <input type="checkbox"/> | PLS3-16A F | 1/2" compression x 1/2" FIP x 16" length, flag label |
| <input type="checkbox"/> | PLS3-20A F | 1/2" compression x 1/2" FIP x 20" length, flag label |
| <input type="checkbox"/> | PLS3-30A F | 1/2" compression x 1/2" FIP x 30" length, flag label |

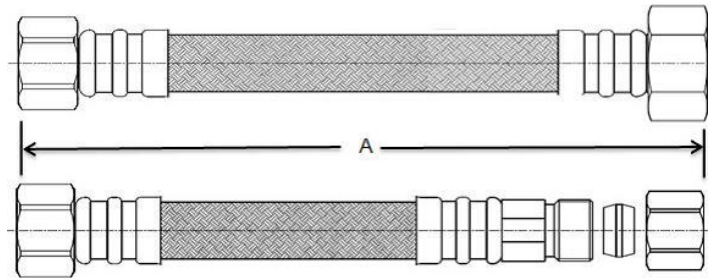


Operating Specifications		
Temperature	Pressure	Tubing Diameter
40°- 140° F, Intermittent to 180° F	125 PSI maximum	0.300" ID(0.510"OD)

MATERIAL SPECIFICATIONS	
Inner Hose	Reinforced PVC
Braiding	Stainless steel wire
Barb	Brass
Ferrule	Stainless steel
Nut	Brass
Washer	Rubber
Compression Nut	Brass

PART DIMENSIONS (Inches)	
Model	DIM. A
PLS1-12	12.0/13.0
PLS1-16	16.0/17.0
PLS1-20	20.0/21.0
PLS1-24	24.0/25.0
PLS1-30	30.0/31.0
PLS1-36	36.0/37.0

PART DIMENSIONS (Inches)	
Model	DIM. A
PLS1-48	48.0/49.0
PLS1-60	60.0/61.0
PLS2-20	20.0/21.0
PLS3-12	12.0/13.0
PLS3-16	16.0/17.0
PLS3-20	20.0/21.0
PLS3-30	30.0/31.0



Listings & Certifications:

- IAPMO listed to ASME A112.18.6 / CSA B125.6 (file # 5311)
- IAPMO listed to NSF 372 for Low-Lead Compliance (file #6624)
- IAPMO listed to NSF 61/9 (file #N-6632)



This specification and all information contained herein is the confidential and exclusive property of Brasscraft Manufacturing Co., and shall not be disclosed to others without the written consent of Brasscraft Mfg. Co. This specification must be returned to Brasscraft Mfg. Co. if requested.

SS-1



VERIFY ACCEPTABLE

**Florestone
Model FM
Utility Sink**

23 1/8" x 22 3/8" x 35 1/2"

FM-1 (1/Box):

FM-3 (3/Box):

Capacity

Weight:

30 lbs.

85 lbs.

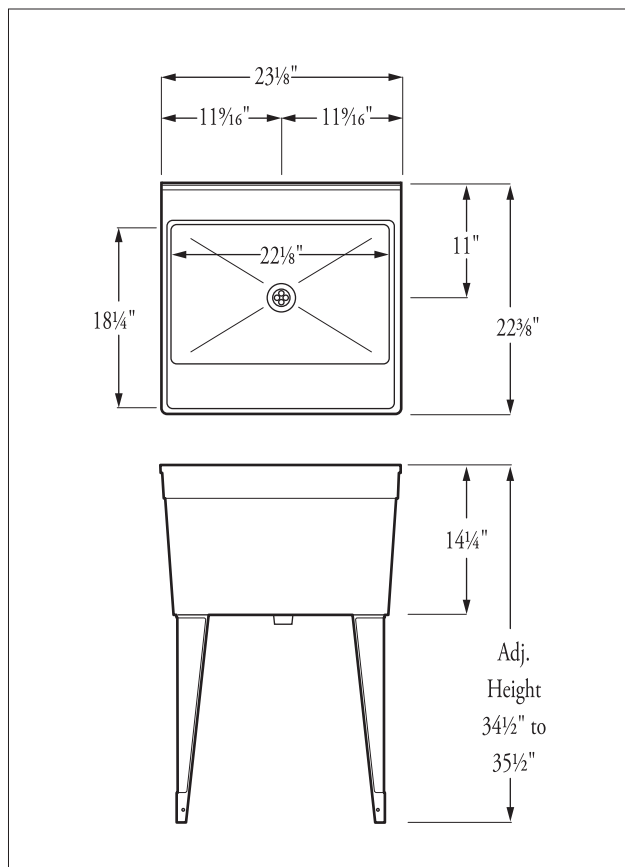
20 gallons

**Architect's
Specifications**

Furnish and install Utility Sink Model FM as manufactured by Florestone Products Co. Floor mounted sink to come with four (4) heavy duty molded legs and the hardware to attach legs to the sink, and drain plugs with hardware.

Color will be white and will be resistant to fading and abrasion.

Unit to have 1 1/2" drain opening.



Inside Tray Dimensions: 18 1/4" x 22 1/8"

Optional and Accessories

FM Accessory Kit

Set of Legs (4) – Heavy duty molded legs

Standards

I.A.P.M.O. Listed File 2647

ANSI-Z-124.6-97

CSA Test • Warnock Hersey Listed:

CAN/CSA-B45.0 – CAN/CSA-B45.5

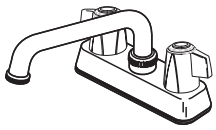


FLORESTONE PRODUCTS CO., INC.

2851 Falcon Drive • Madera, CA 93637

T. 559.661.4171 • T. 800.446.8827

F. 559.661.2070 • florestone.com



2131LF



Submitted Model No.: _____

Specific Features: _____

SPECIALTY FAUCETS

- Two Handle Laundry Faucet
- Deck Mount
- 2 or 3 Hole Sink Applications
- 4" (102 mm) Centerset

STANDARD SPECIFICATIONS:

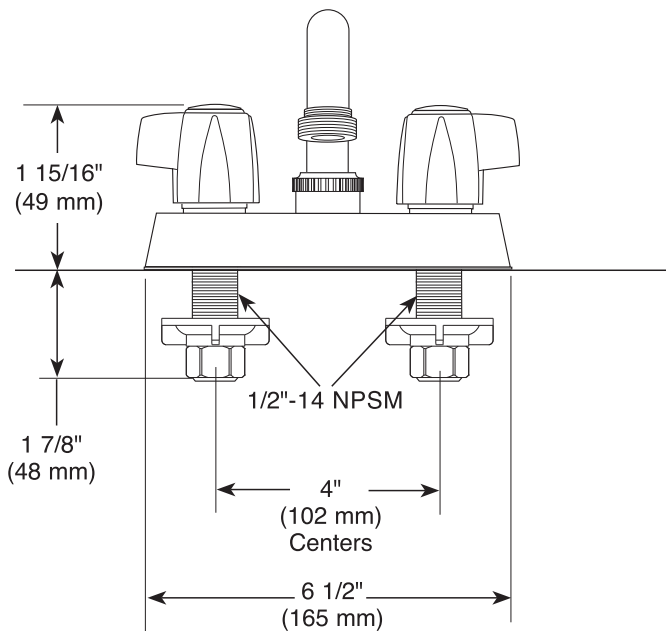
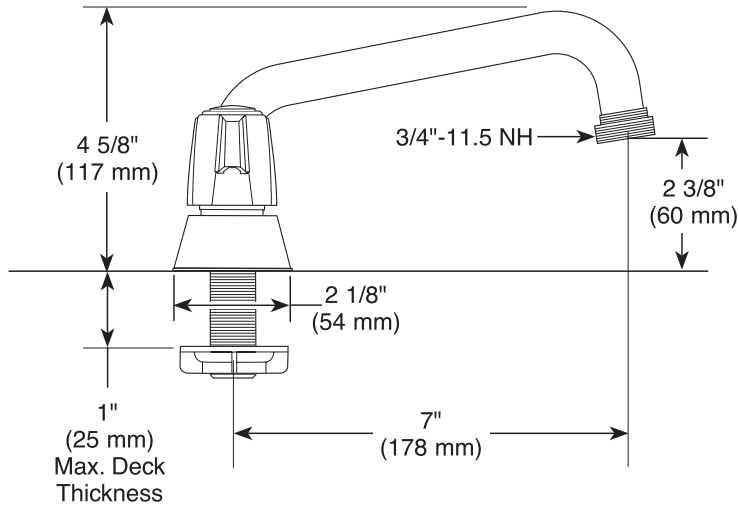
- Two handle deck faucets for exposed mounting on 2 or 3 hole sinks.
- Solid brass cast body.
- 4" (102 mm) Centerset.
- 7" (178 mm) long, 4 5/8" (117 mm) high spout swings 360°.
- Hot and cold stems are interchangeable.
- Control mechanism shall be of the rotating cylinder type with stainless steel plate and 90° rotation, with replaceable non-metallic seats.
- 1/2"-14 NPSM threaded male shanks.
- Spout has hose thread.

WARRANTY

- Lifetime Faucet and Finish Limited Warranty to the original consumer purchaser to be free from defects in material and workmanship.
- 5 Year Limited Warranty for usage in all industrial, commercial and business applications.

COMPLIES WITH:

- ASME A112.18.1 / CSA B125.1
- Indicates compliance to ICC/ANSI A117.1
- Verified compliant with .25% weighted average Pb content regulations.



55 E. 111th Street, Indianapolis, Indiana 46280
 350 South Edgeware Road, St. Thomas, ON N5P 4L1
 © 2016 Masco Corporation of Indiana

Delta reserves the right (1) to make changes in specifications and materials, and (2) to change or discontinue models, both without notice or obligation. Dimensions are for reference only. See full-line price book or www.deltafaucet.com for finish options and product availability.



**Dearborn®
Brass**

4675 W. 160th St.
Cleveland, Ohio 44135
Ph: (800) 321-9532
Fax: (800) 321-9535
www.dearbornbrass.com

SUBMITTAL SPECIFICATION

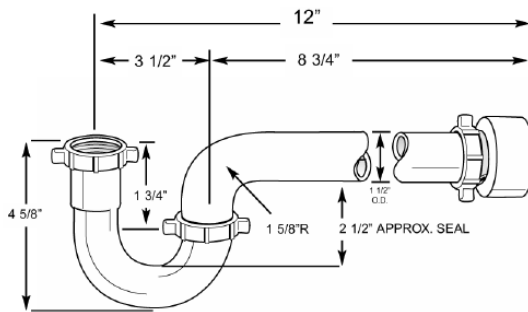
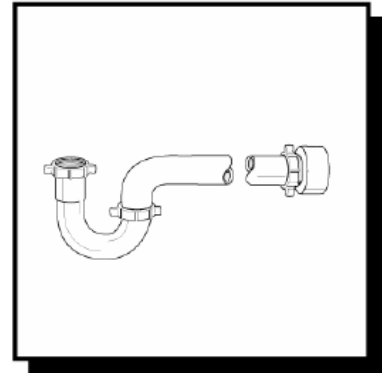
**PLASTIC TUBULAR
1-½" P-TRAP WITH THREADED ADAPTER**

Engineering Specification: Dearborn Brass Plastic Tubular 1-½" P-Traps with Threaded Adapter are designed for use in tubular drain applications. Options include PVC or ABS plastic adapter and True Blue Premium Washers for superior sealing. Available in white or black polypropylene plastic.

Job Reference

DESCRIPTION

- Made of polypropylene plastic
- Plastic Tubular P-Trap with Threaded Adapter
 - Plastic Tubular Quarter Bend
 - Plastic Tubular J-Bend
 - Schedule 40 Threaded Adapter
 - (3) Slip Joint Nuts
 - (1) 1-½" Washer
 - (1) 1-¼" x 1-½" Reducing Washer
- Reversible P-Trap includes reversible J-Bend
- Deep Flange P-Trap includes plastic deep flange



- Meets ASTM F 409
- IAPMO Listed



✓	Product No.	Description	Carton Quantity	Carton Weight (lbs)
	P9703W	1-½" P-Trap w/ Threaded PVC Adapter with True Blue Premium Washers – White		
	P9703BG	1-½" P-Trap w/ Threaded PVC Adapter & Reversible J-Bend – White, Bagged	25	19.4
	A9703WBG	1-½" P-Trap w/ Threaded PVC Adapter & Reversible J-Bend with True Blue Premium Washers –Black, Bagged	25	19.4
	P9704	1-½" P-Trap w/ Threaded PVC Adapter – White	25	11.8
	A9704	1-½" P-Trap w/ Threaded ABS Adapter – Black	25	11.7
	P9704A	1-½" P-Trap w/ Threaded ABS Adapter – White	25	11.8
	P9704AB	1-½" P-Trap w/ Threaded ABS Adapter – White, Bagged	25	19.2
X	P9704BG	1-½" P-Trap w/ Threaded PVC Adapter – White, Bagged	25	19.4
	P9704AWB	1-½" P-Trap w/ Threaded ABS Adapter & Reversible J-Bend with True Blue Premium Washers – White, Bagged	25	19.4
	A9704B	1-½" P-Trap w/ Threaded ABS Adapter – Black, Bagged	25	19.3
	P9704DF	1-½" P-Trap w/ Threaded PVC Adapter & Deep Flange– White	25	12.8
	A9704DF	1-½" P-Trap w/ Threaded ABS Adapter & Deep Flange – Black	25	12.6
	P9704DFB	1-½" P-Trap w/ Threaded PVC Adapter & Deep Flange – White, Bagged	25	21.2
	A9704WB	1-½" P-Trap w/ Threaded ABS Adapter & Reversible J-Bend with True Blue Premium Washers – Black, Bagged	25	19.4

For Residential and Commercial Applications

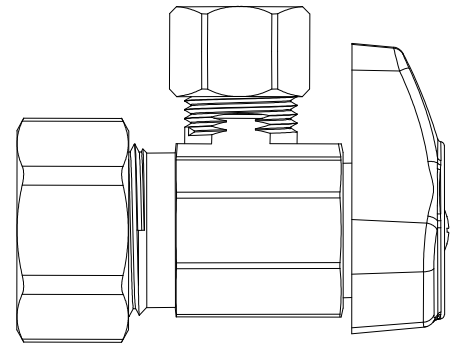
Job Name		Engineer / Architect	
Job Location		Wholesaler	
Submittal Date		Contractor	

G2CR09/ G2CR19/ G2CR39 1/4 Turn Angle Stop – Compression x Compression

Use: For use in potable water distribution systems. Not intended for recirculating water systems that produce continuous use temperatures above 115° F. For those applications, use our KT™ series ball stops.

Design Features:

- **One-piece shut-off mechanism** provides smooth on-off operation without freeze ups even after long periods of non-use
- **Positive 1/4 turn** shut off
- **Full-flow operation** with no waterway obstructions
- **Corrosion-resistant handle** is plated in an attractive chrome finish
- **Machined one-piece brass body** provides strength, durability, and long-lasting performance
- **Easy-to-remove handle** with screw attachment helps protect against accidental operation during rough-ins
- **100% Leak** tested
- **No Lead**
- **For use with** ASTM F876 PEX tubing, in ASTM F877 water distribution systems (parts containing PX and PXX only)
- **For use in** ASTM F877 water distribution systems as noted in Appendixes (parts containing PX and PXX only)



Operating Specifications:

Temperature: 40°- 140° F
Pressure: 125 PSI maximum

Standard

STOP MATERIAL SPECIFICATIONS	
Body	Brass
Stem Barrel	Santoprene
Stem Shaft	Glass-filled Polypropylene
O-ring	Rubber
Handle	Zinc die cast, chrome plated
Handle Screw	Zinc-plated steel
Compression Nut	Brass, chrome plated
Compression Sleeve	Brass
PEX Insert*	Stainless steel

No Lead

STOP MATERIAL SPECIFICATIONS	
Body	No-Lead brass
Stem Barrel	Santoprene
Stem Shaft	Glass-filled Polypropylene
O-ring	Rubber
Handle	Zinc die cast, chrome plated
Handle Screw	Zinc-plated steel
Compression Nut	Brass, chrome plated
Compression Sleeve	Brass
PEX Insert*	Stainless steel

*Where specified

This specification and all information contained herein is the confidential and exclusive property of BrassCraft Manufacturing, and shall not be disclosed to others without the written consent of BrassCraft. This specification must be returned to BrassCraft if requested.



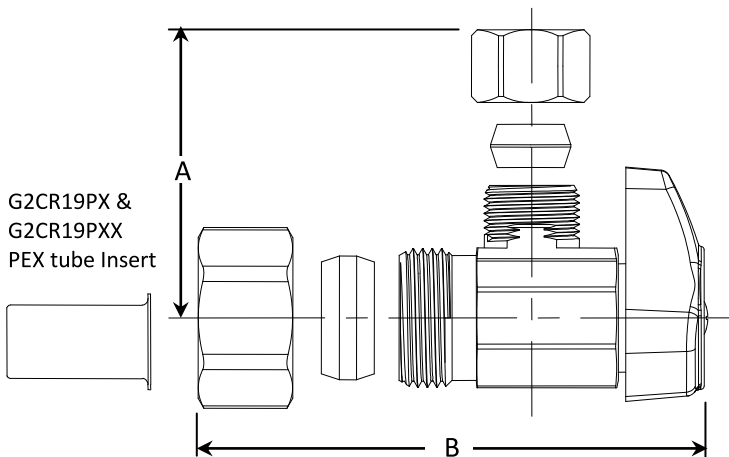
G2CR09/ G2CR19/ G2CR39 1/4 Turn Angle Stop – Compression x Compression

Standard Part Listing:

- G2CR09 C 1/2" nom compression x 1/4" OD compression, chrome plated
- G2CR09 C1 1/2" nom compression x 1/4" OD compression, chrome plated, window tray
- G2CR09 CD 1/2" nom compression x 1/4" OD compression, chrome plated, blister card
- G2CR09 R 1/2" nom compression x 1/4" OD compression, rough brass
- G2CR19 C 1/2" nom compression x 3/8" OD compression, chrome plated
- G2CR19 C1 1/2" nom compression x 3/8" OD compression, chrome plated, window tray
- G2CR19 CD 1/2" nom compression x 3/8" OD compression, chrome plated, blister card
- G2CR19 R 1/2" nom compression x 3/8" OD compression, rough brass
- G2CR19L1 CB 1/2" nom compression x 3/8" OD compression, less outlet nut, chrome plated, bulk
- G2CR19PX C 1/2" nom compression w/ PEX stainless steel insert x 3/8" OD compression, chrome plated
- G2CR39 C 1/2" nom compression x 1/2" OD compression, chrome plated
- G2CR39 C1 1/2" nom compression x 1/2" OD compression, chrome plated, window tray
- G2CR39 CD 1/2" nom compression x 1/2" OD compression, chrome plated, blister card
- G2CR39 R 1/2" nom compression x 1/2" OD compression, rough brass

No-Lead Part Listing:

- G2CR09X C 1/2" nom compression x 1/4" OD compression, chrome plated
- G2CR09X C1 1/2" nom compression x 1/4" OD compression, chrome plated, window tray
- G2CR09X CD 1/2" nom compression x 1/4" OD compression, chrome plated, blister card
- G2CR09X R 1/2" nom compression x 1/4" OD compression, rough brass
- G2CR19X C 1/2" nom compression x 3/8" OD compression, chrome plated
- G2CR19X C1 1/2" nom compression x 3/8" OD compression, chrome plated, window tray
- G2CR19X CD 1/2" nom compression x 3/8" OD compression, chrome plated, blister card
- G2CR19X R 1/2" nom compression x 3/8" OD compression, rough brass
- G2CR19PXX C 1/2" nom compression w/ PEX stainless steel insert x 3/8" OD compression, chrome plated
- G2CR19L1X CB 1/2" nom compression x 3/8" OD compression, less outlet nut, chrome plated, bulk
- G2CR39X CD 1/2" nom compression x 1/2" OD compression, chrome plated, blister card



PART DIMENSIONS (Inches)		
Model	DIM A	DIM B
G2CR09	1.02	2.16
G2CR19	1.02	2.16
G2CR19L1	.74	2.16
G2CR19PX	1.02	2.16
G2CR39	1.11	2.16

Listings & Certifications:

- IAPMO listed to ASME A112.18.1 / CSA B125.1 (File # 0645)
- CSA listed to ASME A112.18.1 / CSA B125.1 (File # 204593)
- No-Lead product CSA listed to Low Lead Content Certification Program – Plumbing Products Class 6853-01



This specification and all information contained herein is the confidential and exclusive property of BrassCraft Manufacturing, and shall not be disclosed to others without the written consent of BrassCraft. This specification must be returned to BrassCraft if requested.



For Residential and Commercial Applications

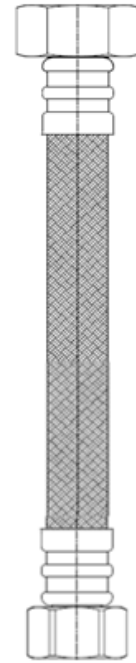
Job Name	Engineer / Architect
Job Location	Wholesaler
Submittal Date	Contractor

PLS1-** / PLS3-**A Stainless Steel Flexible Braided Faucet Water Connector - Compression Inlet x FIP Outlet

Use: For use only in potable water distribution systems in accessible locations only.

Part Listing:

- PLS1-12A F 3/8" compression x 1/2" FIP x 12" length, flag label
- PLS1-16A F 3/8" compression x 1/2" FIP x 16" length, flag label
- PLS1-20A F 3/8" compression x 1/2" FIP x 20" length, flag label
- PLS1-24A F 3/8" compression x 1/2" FIP x 24" length, flag label
- PLS1-30A F 3/8" compression x 1/2" FIP x 30" length, flag label
- PLS1-36A F 3/8" compression x 1/2" FIP x 36" length, flag label
- PLS1-48A F 3/8" compression x 1/2" FIP x 48" length, flag label
- PLS1-60A F 3/8" compression x 1/2" FIP x 60" length, flag label
- PLS2-20A F 7/16" compression x 1/2" FIP x 20" length, flag label
- PLS3-12A F 1/2" compression x 1/2" FIP x 12" length, flag label
- PLS3-16A F 1/2" compression x 1/2" FIP x 16" length, flag label
- PLS3-20A F 1/2" compression x 1/2" FIP x 20" length, flag label
- PLS3-30A F 1/2" compression x 1/2" FIP x 30" length, flag label

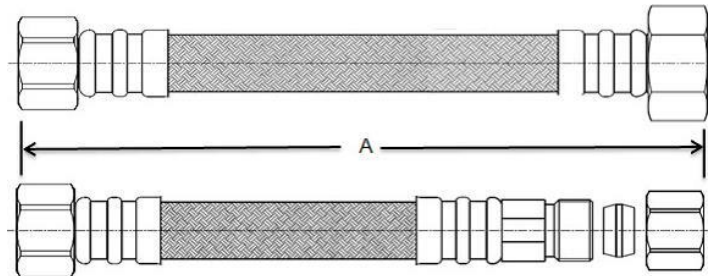


Operating Specifications		
Temperature	Pressure	Tubing Diameter
40°- 140° F, Intermittent to 180° F	125 PSI maximum	0.300" ID(0.510"OD)

MATERIAL SPECIFICATIONS	
Inner Hose	Reinforced PVC
Braiding	Stainless steel wire
Barb	Brass
Ferrule	Stainless steel
Nut	Brass
Washer	Rubber
Compression Nut	Brass

PART DIMENSIONS (Inches)	
Model	DIM. A
PLS1-12	12.0/13.0
PLS1-16	16.0/17.0
PLS1-20	20.0/21.0
PLS1-24	24.0/25.0
PLS1-30	30.0/31.0
PLS1-36	36.0/37.0

PART DIMENSIONS (Inches)	
Model	DIM. A
PLS1-48	48.0/49.0
PLS1-60	60.0/61.0
PLS2-20	20.0/21.0
PLS3-12	12.0/13.0
PLS3-16	16.0/17.0
PLS3-20	20.0/21.0
PLS3-30	30.0/31.0



Listings & Certifications:

- IAPMO listed to ASME A112.18.6 / CSA B125.6 (file # 5311)
- IAPMO listed to NSF 372 for Low-Lead Compliance (file #6624)
- IAPMO listed to NSF 61/9 (file #N-6632)



This specification and all information contained herein is the confidential and exclusive property of Brasscraft Manufacturing Co., and shall not be disclosed to others without the written consent of Brasscraft Mfg. Co. This specification must be returned to Brasscraft Mfg. Co. if requested.