

Quality People. Building Solutions.

Comfort Systems USA (Arkansas), Inc.
P.O. Box 16620
Little Rock, AR 72231
Phone 501-834-3320
Fax 501-834-5416

Date: 5/2/2023

Return Request: 5/12/2023

Project: LRSD Mann – Bathroom Renovations

Supplier: Falk

Manufacturer: Various

Submittal: Plumbing Fixtures

Submittal Number: 22 40 00-01

Drawing # and Installation: Plumbing Fixtures

ARCHITECT

Cromwell
1300 E. 6th Street
Little Rock, AR 72202
501-372-2900

ENGINEER

Cromwell
1300 E. 6th Street
Little Rock, AR 72202
501-372-2900

GENERAL CONTRACTOR

Baldwin & Shell Construction
1000 W. Capitol Ave.
Little Rock, AR 72201
501-374-8677

MECHANICAL SUBCONTRACTOR

Comfort Systems USA (Arkansas), Inc.
9924 Landers Rd.
N. Little Rock, AR 72117
501-834-3320

Notes:

CSUSA PROJECT NO.

23-2007

chowell@comfortar.com



223 THIRD STREET, HOT SPRINGS, AR
(501) 321-1231 FAX (501) 321-4015

DATE – AUGUST 1, 2023

OPERATION AND MAINTENANCE MANUAL

JOB NAME

**LRSD HORACE MANN MAGNET SCHOOL
RENOVATION
LITTLE ROCK, AR**

**PLUMBING CONTRACTOR
COMFORT SYSTEMS USA
NORTH LITTLE ROCK, AR**
WHOLESALE
PLUMBING & INDUSTRIAL SUPPLIES

FLUSH VALVES

INSTALLATION INSTRUCTIONS FOR EXPOSED SLOAN WATER CLOSET AND URINAL FLUSHOMETERS



Closet Flushometer for 1½” Top Spud

- MODELS 110/111, 113, 114, 115 & 116

Service Sink Flushometer for 1½” Top Spud

- MODEL 117



Urinal Flushometer for ¼” Top Spud

- MODEL 180

Urinal Flushometer for ¾” Top Spud

- MODEL 186



Closet Flushometer for 1½” Back Spud

- MODELS 120, 121 & 122

LIMITED WARRANTY

Unless otherwise noted, Sloan Valve Company warrants this product, manufactured and sold for commercial or industrial uses, to be free from defects in material and workmanship for a period of three (3) years (one (1) year for special finishes, SF faucets, PWT electronics and 30 days for PWT software) from date of first purchase. During this period, Sloan Valve Company will, at its option, repair, replace, or refund the purchase price of any product which fails to conform with this warranty under normal use and service. This shall be the sole and exclusive remedy under this warranty. Products must be returned to Sloan Valve Company, at customer's cost. No claims will be allowed for labor, transportation or other costs. This warranty extends only to persons or organizations who purchase Sloan Valve Company's products directly from Sloan Valve Company for purpose of resale. This warranty does not cover the life of the batteries.

THERE ARE NO WARRANTIES WHICH EXTEND BEYOND THE DESCRIPTION ON THE FACE HEREOF. IN NO EVENT IS SLOAN VALVE COMPANY RESPONSIBLE FOR ANY CONSEQUENTIAL DAMAGES OF ANY MEASURE WHATSOEVER.

PRIOR TO INSTALLATION

Before you install the Sloan Flushometer, be sure the items listed below are installed. Also, refer to the rough-in diagram below.

- Closet fixture
- Drain line
- Water supply line

IMPORTANT:

- **ALL PLUMBING SHOULD BE INSTALLED IN ACCORDANCE WITH APPLICABLE CODES AND REGULATIONS.**
- **WATER SUPPLY LINES MUST BE SIZED TO PROVIDE AN ADEQUATE VOLUME OF WATER FOR EACH FIXTURE.**
- **FLUSH ALL WATER LINES PRIOR TO MAKING CONNECTIONS.**

The Sloan Flushometer is designed to operate with 15 to 80 psi (103 to 552 kPa) of water pressure. **THE MINIMUM PRESSURE REQUIRED TO THE VALVE IS DETERMINED BY THE TYPE OF FIXTURE SELECTED.** Consult fixture manufacturer for minimum pressure requirements. Most High Efficiency water closets require a minimum flowing pressure of 25 psi (172 kPa). Many building codes and the ASME A112.19.2 fixture standard list Maximum static water pressure as 80 PSI (552 kPa).

TOOLS REQUIRED FOR INSTALLATION

- Straight blade screwdriver
- Sloan A-50 Super-Wrench™, Sloan A-109 Plier Wrench or smooth jawed spud wrench

!!! IMPORTANT !!!

PROTECT THE FINISH OF SLOAN FLUSHOMETERS – DO NOT USE TOOTHED TOOLS TO INSTALL OR SERVICE THESE VALVES. USE A SLOAN A-50 SUPER-WRENCH™, SLOAN A-109 PLIER WRENCH OR SMOOTH JAWED SPUD WRENCH TO SECURE ALL COUPLINGS. ALSO SEE “CARE AND CLEANING” SECTION OF THIS MANUAL.

!!! IMPORTANT !!!

WITH THE EXCEPTION OF CONTROL STOP INLET, DO NOT USE PIPE SEALANT OR PLUMBING GREASE ON ANY VALVE COMPONENT OR COUPLING!

!!! IMPORTANT !!!

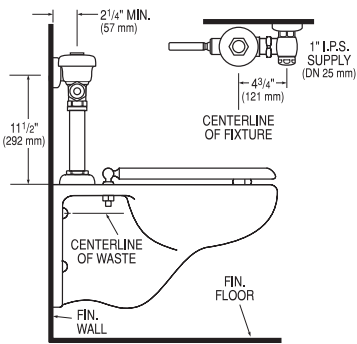
THIS PRODUCT CONTAINS MECHANICAL AND/OR ELECTRICAL COMPONENTS THAT ARE SUBJECT TO NORMAL WEAR. THESE COMPONENTS SHOULD BE CHECKED ON A REGULAR BASIS AND REPLACED AS NEEDED TO MAINTAIN THE VALVE'S PERFORMANCE.

If you have questions about how to install your Sloan flushometer, consult your local Sloan Representative or call Sloan Technical Support at:

1-888-SLOAN-14 (1-888-756-2614)

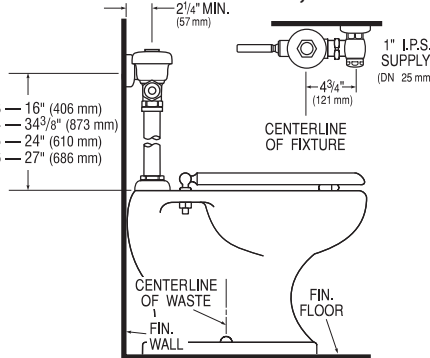
ROUGH-IN

MODEL 110/111

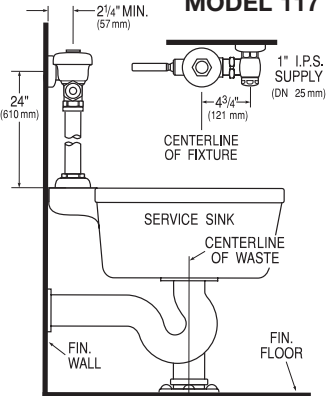


Model 113 — 16" (406 mm)
 Model 114 — 34 3/8" (873 mm)
 Model 115 — 24" (610 mm)
 Model 116 — 27" (686 mm)

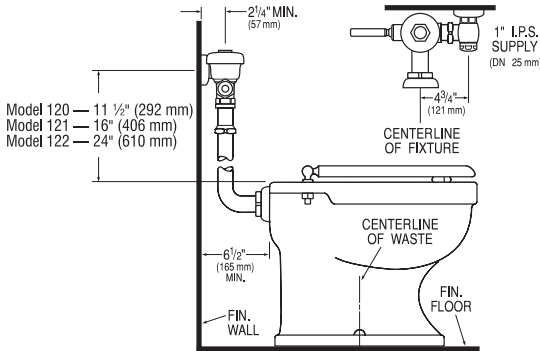
MODELS 113, 114, 115 & 116



MODEL 117

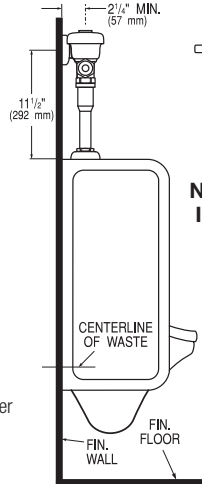


MODELS 120, 121, & 122



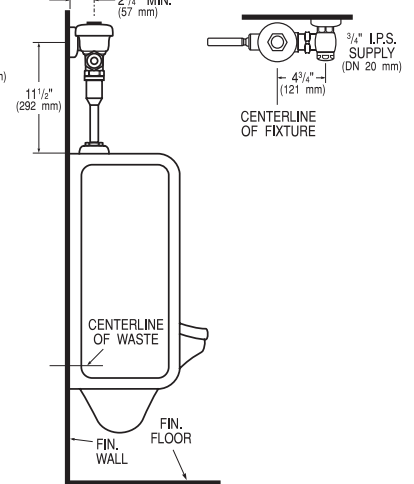
Model 120 — 11 1/2" (292 mm)
 Model 121 — 16" (406 mm)
 Model 122 — 24" (610 mm)

MODEL 180



NOTE: Requires 1" I.P.S. (DN 25 mm) Supply.

MODEL 186

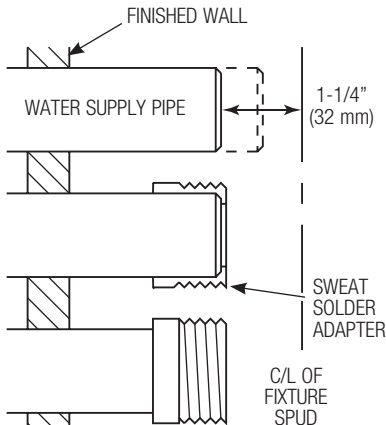


IMPORTANT NOTES:

- When mounted on an ADA accessible bowl, the rough-in to the supply inlet should be no higher than 37 1/2" or the handle will exceed maximum height allowances under ADA guidelines.
- New ADAAG Guidelines allow for Split or Offset Grab Bars, check with local authorities or reference section 604.5.2 of ADAAG.

1 - INSTALL OPTIONAL SWEAT SOLDER ADAPTER (ONLY IF YOUR SUPPLY PIPE DOES NOT HAVE A MALE THREAD)

A Measure from finished wall to C/L of fixture spud. Cut pipe 1" (32 mm) shorter than this measurement. Chamfer O.D. and I.D. of water supply pipe.



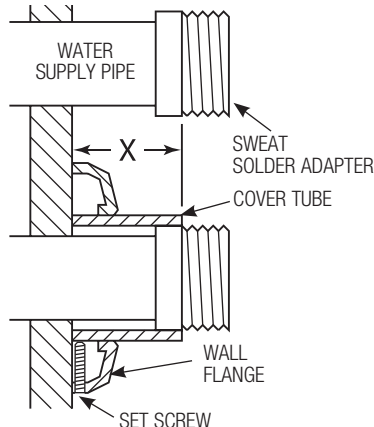
B Slide threaded adapter fully onto pipe.

C Sweat solder the adapter to pipe.

!!! IMPORTANT !!!
WITH THE EXCEPTION OF CONTROL STOP INLET, DO NOT USE PIPE SEALANT OR PLUMBING GREASE ON ANY VALVE COMPONENT OR COUPLING!

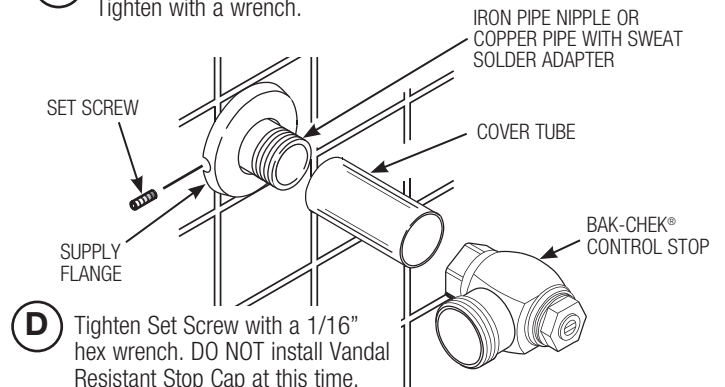
2 - INSTALL COVER TUBE, WALL FLANGE AND CONTROL STOP TO SUPPLY PIPE

A Measure from finished wall to first thread of adapter or threaded supply pipe (dimension "X"). Cut cover tube to this length.



B Slide cover tube over pipe. Slide wall flange over cover tube until against wall.

C Thread control stop onto pipe. Tighten with a wrench.

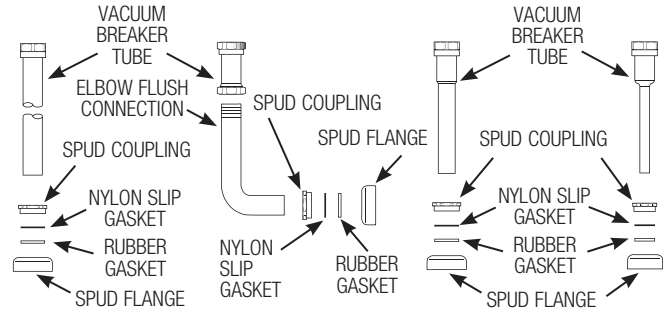


D Tighten Set Screw with a 1/16" hex wrench. DO NOT install Vandal Resistant Stop Cap at this time.

3 - INSTALL VACUUM BREAKER FLUSH CONNECTION

MODELS 110/111, 113, 114, 115, 116, 117 MODELS 120, 121, 122 MODEL 180 MODEL 186

- A** Slide spud coupling, nylon slip gasket, rubber gasket and spud flange over vacuum breaker tube.
- B** Insert tube into fixture spud.
- C** Hand tighten spud coupling onto fixture spud.



4 - INSTALL FLUSHOMETER

NOTE

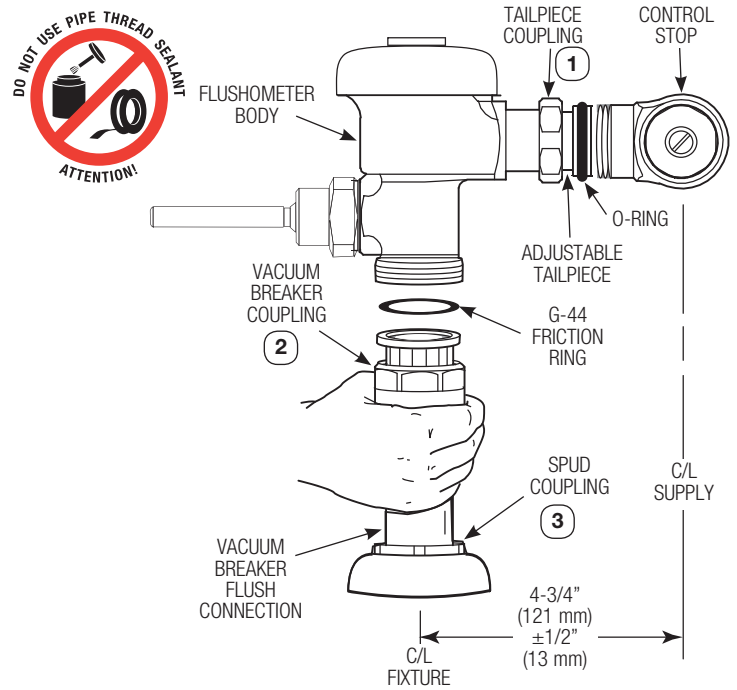
For high efficiency urinal flushometers (0.5, 0.25 and 0.125 gpf), it is necessary to first insert the flow control component into the tailpiece assembly. See the H1015A flow control kit and separate instructions for details on how to install.

- A** Lubricate tailpiece o-ring with water. Insert adjustable tailpiece into control stop. Tighten tailpiece coupling by hand.
- B** Align flushometer directly above the vacuum breaker flush connection by sliding the flushometer Body IN or OUT as needed. Tighten vacuum breaker coupling by hand.

NOTE

Maximum adjustment of the Sloan Adjustable Tailpiece is 1/2" (13 mm) IN or OUT from the standard 4-3/4" (121 mm) (centerline of Flushometer to centerline of Control Stop).
If roughing-in measurement exceeds 5-1/4" (133 mm), consult factory for longer tailpiece.

- C** Align flushometer body and securely tighten first the tailpiece coupling (1), then the vacuum breaker coupling (2), and finally the spud coupling (3). Use a wrench to tighten these couplings in the order shown.



5 - FLUSH OUT SUPPLY LINE

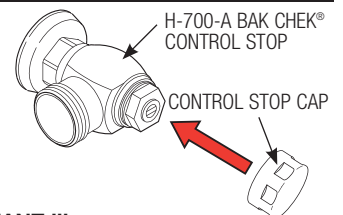
- A** Make sure control stop is CLOSED and remove flushometer outer cover.
- B** Remove inside cover and lift out inside parts assembly.

- C** Reinstall outside and inside cover wrench tight. Open control stop to flush supply line. Close control stop and remove outside and inside cover.
- D** Reinstall inside parts assembly, inside cover and outside cover wrench tight.

6 - ADJUST CONTROL STOP AND INSTALL VANDAL RESISTANT STOP CAP

- A** Open control stop COUNTERCLOCKWISE one FULL turn from closed position.
- B** Activate flushometer.

- C** Adjust control stop after each flush until the rate of flow delivered properly cleanses the fixture.
- D** Install vandal resistant control stop cap onto control stop.



!!! IMPORTANT !!!

Sloan's flushometers are engineered for quiet operation. Excessive water flow creates noise, while too little water flow may not satisfy the needs of the fixture. Proper adjustment is made when plumbing fixture is cleansed after each flush without splashing water out from the lip AND a quiet flushing cycle is achieved.

TROUBLESHOOTING

1. Valve does not function (no flush).

- A. Control stop or main valve is closed. Open control stop or main valve.
- B. Handle assembly is worn or damaged. Install handle repair kit or replace handle assembly.
- C. Relief valve is worn or damaged. Replace inside parts kit.

2. Volume of water is not sufficient to siphon fixture.

- A. Control stop is not open wide enough. Adjust control stop for desired delivery of water volume.
- B. Urinal flushometer parts inside a closet flushometer. Replace inside urinal Parts with proper closet flushometer parts.
- C. Low consumption flushometer installed on a higher consumption fixture. Replace inside parts kit with water saver kit.
- D. Water saver kit installed in old non-water saver bowl. Position refill head so that SIDE 1 is in the UP position.
- E. Water supply volume or pressure is inadequate. If no gauges are available to properly measure supply pressure or volume of water at the flushometer, then remove the relief valve from the inside parts kit, reassemble the flushometer and completely open the control stop.
 - If the fixture siphons, more water volume is required. If a 3.5 gpf inside parts kit is installed in the flushometer, then first flip the refill head (under the diaphragm) to obtain a 4.5 gpf volume. If this volume is still inadequate, remove the flow ring from the guide to obtain a 6.5 gpf kit. If additional flow is required, try a low pressure guide kit. **IMPORTANT – LAWS AND REGULATIONS PROHIBIT THE USE OF HIGHER FLUSHING VOLUMES THAN LISTED ON FIXTURE OR FLUSHOMETER.**
 - If the fixture does not siphon or if a low consumption fixture is installed, or if the above steps do not prove satisfactory, steps must be taken to increase the water supply pressure and/or volume. Contact the fixture manufacturer for minimum water supply requirements of the fixture.

3. Flushometer closes off immediately.

- A. Ruptured or damaged diaphragm. Replace inside parts kit.
- B. Enlarged by-pass orifice from corrosion or damage. Replace inside parts kit.

4. Length of flush is too short (short flush).

- A. Diaphragm assembly and guide assembly are not hand-tight. Screw the two assemblies hand-tight.
- B. Enlarged by-pass orifice from corrosion or damage. Replace inside parts kit.

- C. Urinal flushometer parts inside a closet flushometer. Replace inside urinal parts with proper closet flushometer parts.
- D. Low consumption flushometer installed on a higher consumption fixture. Replace inside parts kit with water saver kit.
- E. Handle assembly is damaged. Replace Handle

5. Length of flush is too long (long flush) or continuous.

- A. Relief valve is not seating properly or by-pass orifice is clogged because of foreign material, or by-pass orifice is closed by an invisible gelatinous film from "over-treated" water. Disassemble the working parts and wash thoroughly. **NOTE: Size of the orifice in the by-pass is of utmost importance for the proper metering of water into the upper chamber of the flushometer. Do not enlarge or damage this orifice.** Replace inside kit if cleaning does not correct problem.
- B. Supply line water pressure has dropped and is not sufficient to close the valve. Close control stop until pressure is restored.
- C. Closet flushometer parts inside a urinal flushometer. Replace inside closet parts with proper urinal flushometer parts.
- D. Inside cover is damaged. Replace inside cover.

6. Chattering noise is heard during flush.

- A. The segment diaphragm is installed upside-down. Replace the segment diaphragm to the proper position as instructed by markings on the diaphragm.
- A. Inside cover is damaged. Replace inside cover.

7. Handle Leaks.

- A. Handle gasket, seal or assembly is damaged. Replace as required.

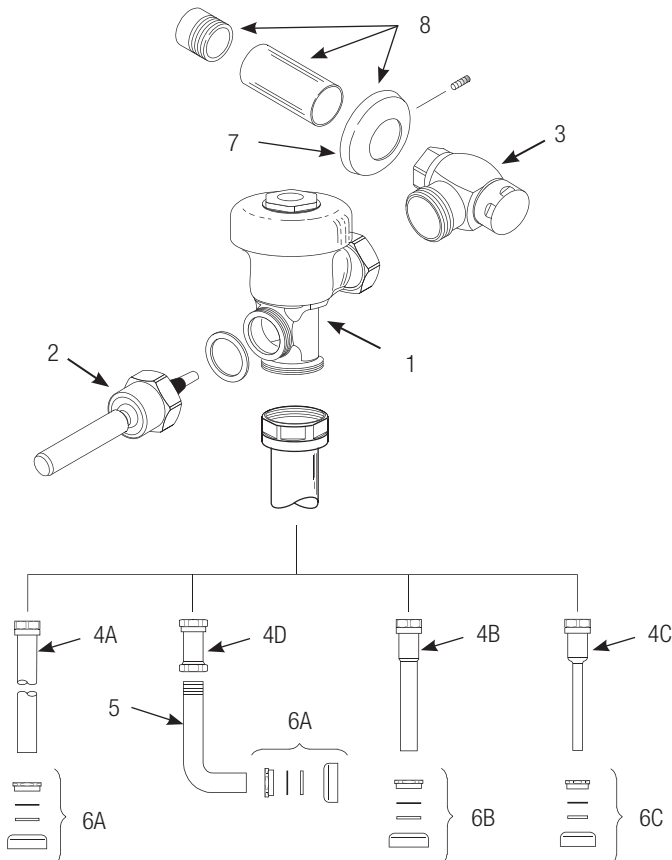
**If assistance is required, please contact
Sloan Technical Support at:
1-888-SLOAN-14 (1-888-756-2614)**

CARE AND CLEANING

DO NOT use abrasive or chemical cleaners (including chlorine bleach) to clean flushometers that may dull the luster and attack the chrome or special decorative finishes. Use ONLY mild soap and water, then wipe dry with clean cloth or towel.

While cleaning the bathroom tile, protect the flushometer from any splattering of cleaner. Acids and cleaning fluids will discolor or remove chrome plating.

PARTS LIST



| Item No. | Part No. | Description |
|----------|----------|--|
| 1 | † | Valve Assembly |
| 2 | B-73-A | ADA Compliant Handle Assembly |
| 3 | H-710-A | Bak-Chek® Control Stop |
| 4A | V-500-AA | 1½" (38 mm) x 9" (229 mm) Vacuum Breaker Assembly ‡ |
| 4B | V-500-AA | 1¼" (32 mm) x 9" (229 mm) Vacuum Breaker Assembly |
| 4C | V-500-AA | ¾" (19 mm) x 9" (229 mm) Vacuum Breaker Assembly |
| 4D | V-500-A | Vacuum Breaker Assembly |
| 5 | F-109 | 1½" (38 mm) Elbow Flush Connection |
| 6A | F-56-A | 1½" (38 mm) Spud Coupling Assembly |
| 6B | F-57-A | 1¼" (32 mm) Spud Coupling Assembly |
| 6C | F-58-A | ¾" (19 mm) Spud Coupling Assembly |
| 7 | F-7 | Supply Flange (Supplied when Valve is not Ordered with Sweat Solder Kit) |
| 8 | H-633-AA | 1" (25 mm) Sweat Solder Kit with Cast Set Screw Flange |
| | H-636-AA | ¾" (19 mm) Sweat Solder Kit with Cast Set Screw Flange |
| † | | Part number varies with valve model variation; consult factory. |
| ‡ | | Length varies with valve model variation; consult factory. |

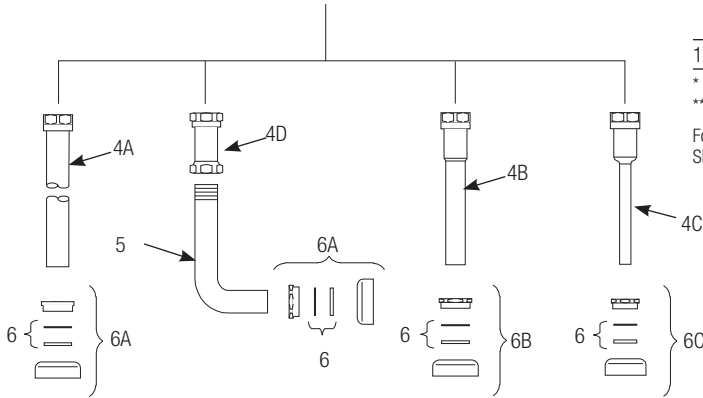
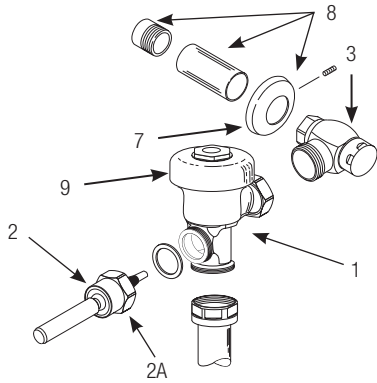
For optimum water conservation and flushometer performance, use only Genuine Sloan Parts.

NOTE: The information contained in this document is subject to change without notice.

SLOAN • 10500 SEYMOUR AVENUE • FRANKLIN PARK, IL 60131

Phone: 1-800-982-5839 • Fax: 1-800-447-8329 • www.sloanvalve.com

Sloan® Flushometer



PARTS LIST

| Item No. | Code No. | Part No. | Description |
|----------|---|----------|--|
| 1. | — | A-3-A | Valve Assembly – contact Tech Support for proper assembly |
| 2. | 0302390 | B-73-A | ADA Compliant Handle Assembly |
| 2A. | 0301082 | A-6 | CP Handle Coupling |
| 3. | — | H-710-A | Bak-Chek® Control Stop – 3/4" or 1" |
| 4A. | 5323007 | V-500-AA | 1-1/2" (38 mm) x 9" (229 mm) Vacuum Breaker Assembly ** – 6 per package |
| 4B. | 5323006 | V-500-AA | 1-1/4" (32 mm) x 9" (229 mm) Vacuum Breaker Assembly – 6 per package |
| 4C. | 5323005 | V-500-AA | 3/4" (19 mm) x 9" (229 mm) Vacuum Breaker Assembly – 6 per package |
| 4D. | — | V-500-A | Vacuum Breaker Assembly |
| 5. | 0396293 | F-109 | 1-1/2" (38 mm) Elbow Flush Connection |
| 6. | SEE SLIP JOINT GASKETS AND RINGS TABLE BELOW | | |
| 6A. | 0306145 | F-56-A | 1-1/2" (38 mm) Spud Coupling Assembly |
| 6B. | 0306142 | F-55-A | 1-1/4" (32 mm) Spud Coupling Assembly |
| 6C. | 0306102 | F-54-A | 3/4" (19 mm) Spud Coupling Assembly |
| 7. | — | F-7 | Supply Flange (Supplied when Valve is not Ordered with Sweat Solder Kit) |
| 8. | 3308782 | H-633-AA | 1" (25 mm) Sweat Solder Kit with Cast Set Screw Flange |
| | 3308788 | H-636-AA | 3/4" (19 mm) Sweat Solder Kit with Cast Set Screw Flange |
| 9. | 0378000PKSV-10 | | CP Sloan Cover |
| | 0378003PKSV-10-HE | | CP High Efficiency Sloan Cover |
| 10. | 3388015 | H-1015 | Flow Control Kit (not Shown)(HEU Only) |

* Part number varies with valve model variation; consult factory.

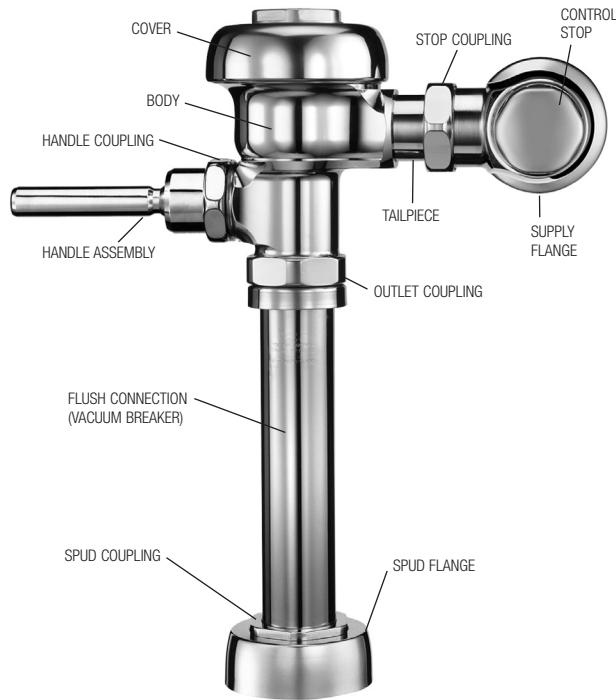
** Length varies with valve model variation; consult factory.

For optimum water conservation and flushometer performance, use only Genuine Sloan Parts.

ITEM 6. SLIP JOINT GASKETS AND RINGS

| Size | Code No. | Part No. | Description |
|-----------------|------------------------|----------|--------------------------------|
| 1-1/2" | 5306058 | F-3 | Red Friction Ring |
| | 5322001 | VBF-5 | Black Slip Joint Gasket |
| | 0319086/5319086 | S-30 | Flexible Seat |
| | 0319079 | S-21 | Rigid Seat (rubber over brass) |
| 1-1/2" x 1-1/4" | 0396062 | F-105 | Slip Joint Gasket – Rigid |
| 1-1/4" | 5306057 | F-3 | Red Friction Ring |
| | 5322176 | VBF-5 | Black Slip Joint Gasket |
| | 0307052/5307052 | G-21 | Rigid Seat (rubber over brass) |
| 1" | 5306056 | F-3 | Red Friction Ring |
| | 5306115 | F-5 | Black Slip Joint Gasket |
| 3/4" | 5306055 | F-3 | Red Friction Ring |
| | 5306113 | F-5 | Black Slip Joint Gasket |

Sloan® Flushometer



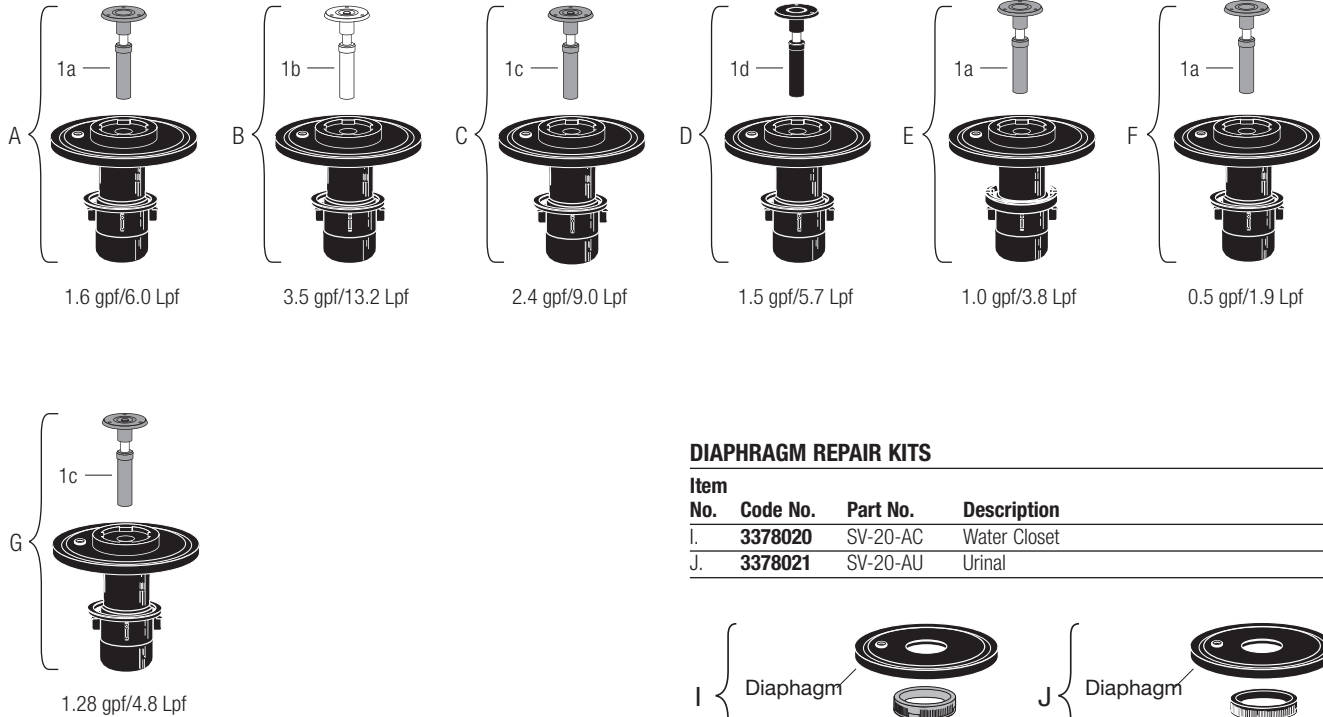
DIAPHRAGM INSIDE PARTS KITS (SEE ILLUSTRATION BELOW)

Refer to Parts List. Includes Relief Valve and Diaphragm Assembly

| Item No. | Code No. | Part No. | Application |
|----------|----------------|----------|---------------------------|
| A. | 3378041 | SV-41-A | 1.6 gpf/6.0 Lpf - Closet |
| B. | 3378038 | SV-38-A | 3.5 gpf/13.2 Lpf - Closet |
| C. | 3378044 | SV-44-A | 2.4 gpf/9.0 Lpf - Closet |
| D. | 3378037 | SV-37-A | 1.5 gpf/5.7 Lpf - Urinal |
| E. | 3378042 | SV-42-A | 1.0 gpf/3.8 Lpf - Urinal |
| F. | 3378043 | SV-43-A | 0.5 gpf/1.9 Lpf - Urinal |
| G. | 3378047 | SV-47-A | 1.28 gpf/4.8 Lpf - Closet |

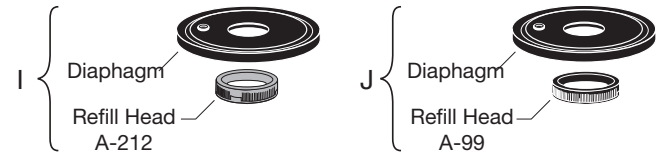
INSIDE COMPONENTS

| Item No. | Code No. | Part No. | Description |
|----------|----------------|----------|---|
| 1a. | 5301211 | A-19-ALC | Relief Valve, Green (Closet/Urinal-LC) – 12 per package |
| 1b. | 5301058 | A-19-AC | Relief Valve, White (Closet) – 12 per package |
| 1c. | 0301143 | A-19-AL | Relief Valve, Blue (9 Liter Closet) |
| 1d. | 5301059 | A-19-AU | Relief Valve, Black (Urinal) – 12 per package |



DIAPHRAGM REPAIR KITS

| Item No. | Code No. | Part No. | Description |
|----------|----------------|----------|--------------|
| I. | 3378020 | SV-20-AC | Water Closet |
| J. | 3378021 | SV-20-AU | Urinal |



Sloan® Flushometer

TROUBLESHOOTING GUIDE

ATTENTION INSTALLERS: With the exception of the control stop inlet, **DO NOT USE** pipe sealant or plumbing grease on any valve component or coupling! To protect the chrome or special finish of Sloan flushometers, **DO NOT USE** toothed tools to install or service these valves. Use our A-50 Super-Wrench or other smooth-jawed wrench to secure couplings. Regulations for low consumption fixtures (1.6 gpf/6.0 Lpf closets and 1.0 gpf/3.8 Lpf urinals) prohibit use of higher flush volumes.

1. Flushometer DOES NOT function (no flush).

- A. Control stop or main valve is closed. Open control stop or main valve.
- B. Handle assembly is worn. Install handle repair kit or replace handle assembly.
- C. Relief valve is worn. Replace inside parts kit.

2. Insufficient volume of water to adequately siphon fixture.

- A. Control stop not open enough. Adjust control stop for desired delivery of water volume.
- B. Urinal flushometer Parts inside a Closet flushometer. Replace inside urinal parts with proper closet flushometer parts.
- C. Low consumption flushometer installed on a non-low consumption fixture. Replace inside parts kit with water saver kit.
- D. Water saver kit installed in old, non-water saver bowl. Position refill head so that SIDE 1 is in the UP position.
- E. Water supply volume or pressure is inadequate. If no gauges are available to properly measure supply pressure or volume of water at the flushometer, then remove the relief valve from the inside parts kit, reassemble the flushometer and completely open the control stop.
 - If the fixture siphons, more water volume is required. If a 3.5 gpf inside parts kit is installed in the flushometer, then first flip the refill head (under the diaphragm) to obtain a 4.5 gpf volume. If this volume is still inadequate, remove the flow ring from the guide to obtain a 6.5 gpf kit. If additional flow is still required, try a low pressure guide kit. **IMPORTANT: LAWS AND REGULATIONS PROHIBIT THE USE OF HIGHER FLUSHING VOLUMES THAN LISTED ON FIXTURE OR FLUSHOMETER.**
 - If fixture does not siphon or if a Low Consumption fixture is installed, or if the above steps do not prove satisfactory, steps must be taken to increase the water supply pressure and/or volume. Contact the fixture manufacturer for minimum water supply requirements of the fixture.

3. Flushometer closes off immediately.

- A. Ruptured or damaged diaphragm. Replace inside parts kit.
- B. Enlarged bypass orifice from corrosion or damage. Replace inside parts kit.

4. Length of flush is too short (short flushing).

- A. Diaphragm assembly and guide assembly are not hand-tight. Screw the two assemblies hand-tight.
- B. Enlarged bypass orifice from corrosion or damage. Replace inside parts kit.
- C. Urinal flushometer parts inside a closet flushometer. Replace inside urinal parts with proper closet flushometer parts.
- D. Low consumption flushometer installed on a higher consumption fixture. Replace inside parts kit with water saver kit.
- E. Handle assembly is damaged. Replace handle.

5. Length of flush is too long (long flushing) or continuous.

- A. Relief valve is not seating properly or bypass orifice is clogged because of foreign material, or bypass orifice is closed by an invisible gelatinous film from "over-treated" water. Disassemble the working parts and wash thoroughly.

NOTE: SIZE OF ORIFICE IN THE BY-PASS IS EXTREMELY IMPORTANT FOR PROPER METERING OF WATER INTO THE UPPER CHAMBER OF THE FLUSHOMETER. DO NOT ENLARGE OR DAMAGE THIS ORIFICE. REPLACE INSIDE KIT IF CLEANING DOES NOT CORRECT PROBLEM.

- B. Supply line water pressure has dropped and is not sufficient to close the valve. Close control stop until pressure has been restored.
- C. Closet flushometer parts inside an urinal flushometer. Replace Inside closet parts with proper urinal flushometer parts.
- D. Inside cover is damaged. Replace inside cover.

6. Chattering noise is heard during flush.

- A. The segment diaphragm is installed upside-down. Replace the segment diaphragm to the proper position as instructed by markings on the diaphragm.
- B. Inside cover is damaged. Replace inside cover.

7. Handle Leaks.

- A. Handle gasket, seal or assembly is damaged. Replace as required.

CARE AND CLEANING INSTRUCTIONS

DO NOT USE abrasive or chemical cleaners (including chlorine bleach) to clean flushometers that may dull the luster and attack the chrome or special decorative finishes. Use **ONLY** mild soap and water, then wipe dry with a clean towel or cloth.

While cleaning the bathroom tile, protect the flushometer from any splattering of cleaner. Acids and cleaning fluids will discolor or remove chrome plating.

When assistance is required, please contact

Sloan Technical Support at: 1-888-SLOAN-14 (1-888-756-2614).

FAUCETS

Single Control Lavatory Faucet Installation Instructions

Recommended for base fittings: 420 Series and 420-T Series

**CHICAGO
FAUCETS®**
Geberit Group

Overview

Chicago Faucets deck mounted faucets feature cast brass bodies and precision cartridges for years of reliable operation.

Notice to the Installer

- Read this entire instruction sheet before installing to ensure proper installation.
- Installation must comply with local codes and ordinances.
- 420-T45 Series products have a maximum outlet temperature of 113°F (45°C), which may exceed the maximum temperature requirements of some plumbing codes.

Pressurized plumbing fixtures shall be installed in accordance with manufacturer's recommendations. The supply piping to these devices shall be securely anchored to the building structure to prevent installed device from unnecessary movement when operated by the user. Care shall be exercised when installing the device to prevent marring the exposed surface.

NOTE: The information in this manual is subject to change without notice.

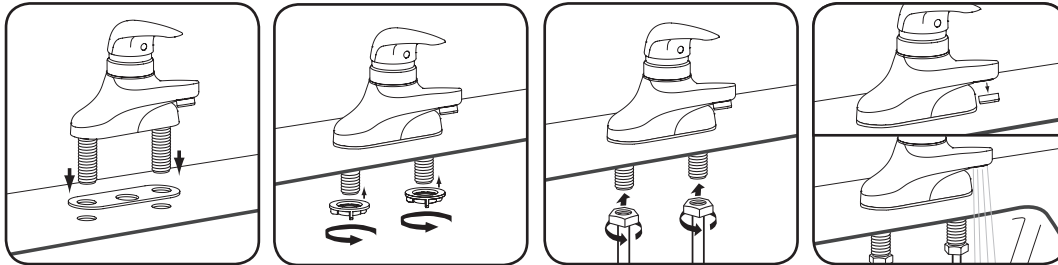
Please leave this manual with the facility manager after completing the faucet installation. This document contains information necessary for routine maintenance and servicing.

NOTE: Before installation, turn off water supplies to existing faucet and remove faucet if replacing. Clean faucet basin and clear away debris. Flush all supply lines before connecting to faucet. Failure to do so can result in debris clogging the inlets and/or cartridges.

NOTE: Before installing a new ceramic cartridge flush lines completely.

NOTE: Faucet must be serviced using only a Chicago Faucets recommended replacement outlet.

Installation Instructions

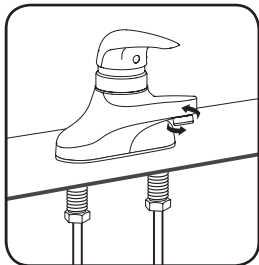


1. Position gasket and faucet.

2. Secure faucet.

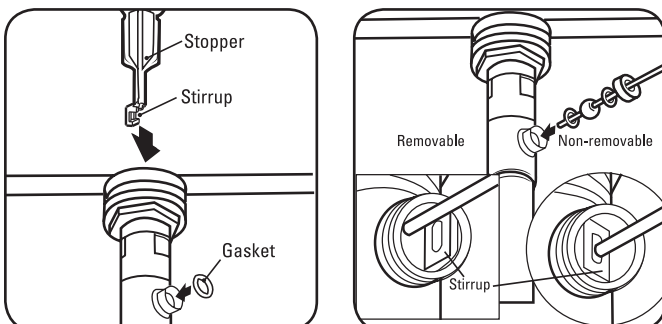
3. Attach supply lines.

4. Remove outlet and flush lines.



5. Reinstall outlet.

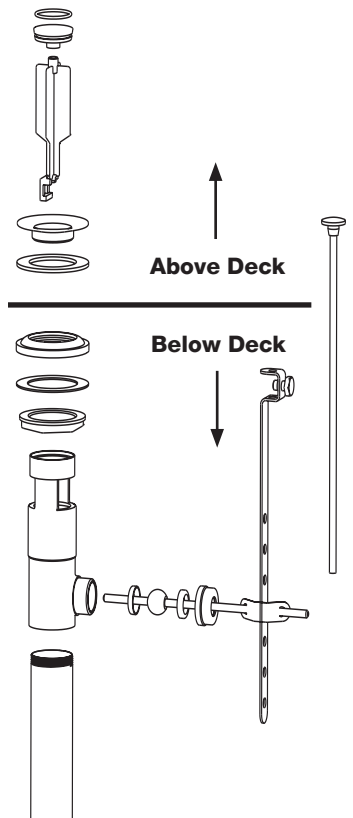
Waste Fitting



TempShield®

420-T products are ASSE 1070 certified to provide anti-scald safety measures.

Waste Fitting (420 Series Only)



Single Control Lavatory Faucet Installation Instructions

(continued)

**CHICAGO
FAUCETS**
Geberit Group

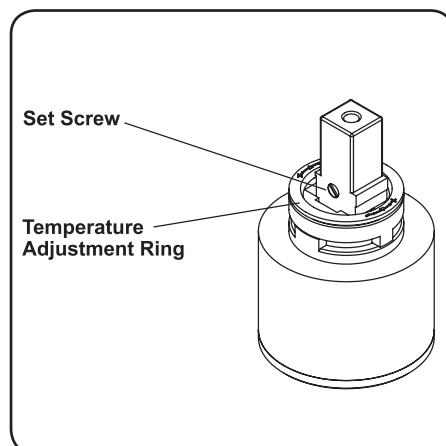
Temperature Adjustment

(420 Series Only)

Lift temperature adjustment ring off cartridge, and rotate clockwise to decrease hot water flow.

Volume Adjustment

Loosen set screw in back of cartridge stem to limit total water volume.



LIFETIME FAUCET WARRANTY — The "Faucet," defined as any metal cast, forged, stamped or formed portion of the Product, not including electronic or moving parts or other products separately covered by this Limited Warranty or water restricting components or other components, is warranted against material manufacturing defects for the life of the Product.

FIVE YEAR FAUCET WARRANTY — Certain Products and portions of the Product are warranted against material manufacturing defects for a period of five (5) years from the date of Product purchase. Products warranted against material manufacturing defects for a period of five (5) years from the date of Product purchase are referred to by the product numbers 42X, 43X, 15XX and E-Tronic™ - 4X, 5X, 6X, 7X, 8X and 9X. All zinc die cast portions of Product are warranted against material manufacturing defects for a period of five (5) years from the date of Product purchase.

THREE YEAR ELECTRONICS WARRANTY — Electronic components, including the solenoid, are warranted for three (3) years from the date of installation.

FIVE YEAR CARTRIDGE WARRANTY — The "Cartridge", defined as the metal portion of any Product typically referred to by the product numbers containing 1-099, 1-100, 1-310, 377X, 217X and 274X, excluding any rubber or plastic components, is warranted against material manufacturing defects for a period of five (5) years from the date of Product purchase. All Cartridges included in the Company's Single Control or Shower Products also are warranted against material manufacturing defects for a period of five (5) years from the date of Product purchase.

ONE YEAR FINISH WARRANTY - COMMERCIAL — For Products used in commercial applications, the finish of the Product is warranted against material manufacturing defects for a period of one (1) year from the date of Product purchase.

OTHER WARRANTIES — All other Products not covered above are warranted against material manufacturing defects for a period of one (1) year from the date of Product purchase.

Other restrictions and limitations apply. For complete warranty details, call Chicago Faucets Customer Service at 847-803-5000 or visit chicagofaucets.com.

The Chicago Faucet Company
2100 South Clearwater Drive
Des Plaines, IL 60018
Phone: 847/803-5000
Fax: 847/803-5454
Technical: 800/832-8783
www.chicagofaucets.com



**PLEASE LEAVE THIS
INSTRUCTION SHEET WITH THE
INSTALLED FAUCET**

28T9

WRITE PURCHASE MODEL NUMBER HERE FOR
FUTURE REFERENCE
ESCRIBA EL NÚMERO DEL MODELO COMPRADO AQUÍ
PARA REFERENCIA FUTURA
POUR RÉFÉRENCE FUTURE, INSCRIVEZ CI-DESSUS
LE N° DE MODÈLE DU PRODUIT ACHETÉ

MAINTENANCE

When performing routine maintenance, do not void your warranty by installing non-genuine parts. Use only authorized Cambridge Brass parts.

CARE INSTRUCTIONS

This CAMBRIDGE BRASS faucet is designed & engineered in accordance with the highest quality and performance standards. With proper care it will give years of trouble free service. Care should be given to the cleaning of this product. Although its finish is extremely durable, it can be **DAMAGED** by **ACIDIC CLEANERS** (eg. cleaners designed specifically for vitreous lavatories and water closets), **HARSH ABRASIVE** or **POLISH**. To clean, simply wipe with a damp cloth and blot dry with a soft cloth.

S.V.P., LAISSEZ CETTE FICHE D'INSTRUCTIONS AVEC LA ROBINETTERIE NOUVELLEMENT INSTALLÉE

ENTRETIEN

Lorsqu'un entretien de routine est effectué, n'annulez pas votre garantie en installant des pièces qui ne sont pas d'origine. Utiliser seulement des pièces Cambridge Brass.

INSTRUCTIONS DE NETTOYAGE

Cette robinetterie Cambridge Brass a été dessinée et conçue en conformité avec les plus hauts standards de qualité et de performance. Un entretien adéquat apportera plusieurs années d'usage sans problème. Une attention particulière devrait être apportée au nettoyage de ce produit. Bien que le fini soit extrêmement durable, il peut être endommagé par des nettoyeurs contenant des acides (ex: nettoyeurs conçus spécifiquement pour les lavabos et toilettes en porcelaine vitrifiée), des abrasifs ou pour le polissage. Pour nettoyer, essuyer simplement avec un chiffon humide et assécher avec un chiffon doux.

DEJE ESTA HOJA DE INSTRUCCIÓN CON LA LLAVE INSTALADA

MANTENIMIENTO

Cuando haga el mantenimiento habitual, no anule su garantía instalando piezas no genuinas. Sólomente use piezas autorizadas Cambridge Brass.

INSTRUCCIONES PARA EL CUIDADO

Esta llave CAMBRIDGE BRASS está diseñada y fabricada de acuerdo con los estándares más altos de calidad y funcionamiento. Con el cuidado apropiado le dará años de servicio sin problemas. Debe de darle cuidado a la limpieza de este producto. Aunque su acabado es extremadamente resistente, puede **DAÑARSE** con **LIMPIADORES ÁCIDOS** (ej. limpiadores diseñados específicamente para laboratorios vítreos e inodoros), **ABRASIVOS ÁSPEROS** o **PULIMENTO**. Para limpiar simplemente pásele un trapo húmedo y seque con un paño suave.

SERVICE SINK FAUCET

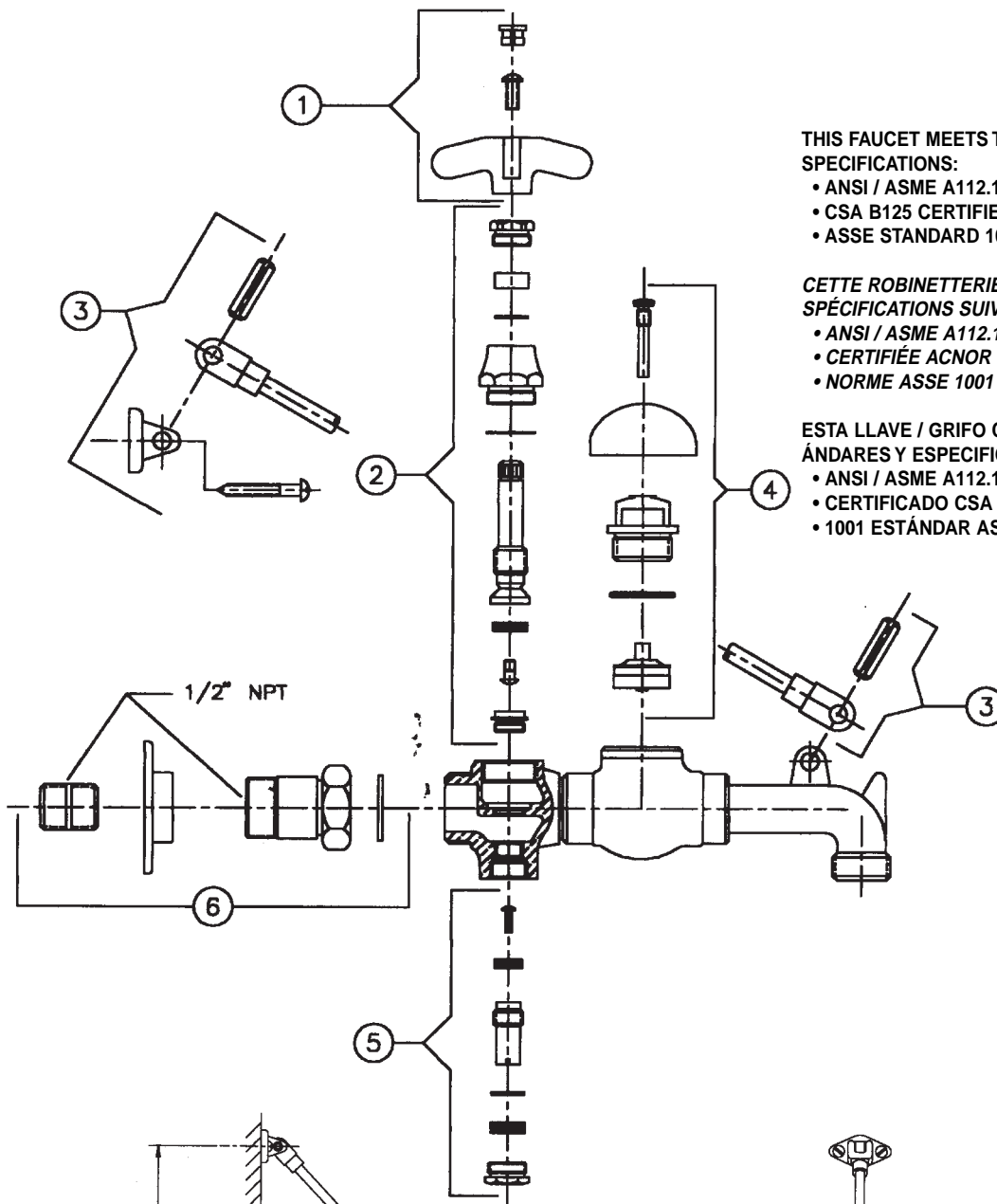
| # | PART # | DESCRIPTION |
|---|-------------------|---|
| 1 | 060027A | Cross handle with screw, red & blue index |
| 2 | 060034A | Stem structure complete with renewable seat |
| 3 | 060056A | Pail brace complete |
| 4 | 060302A | Vacuum Breaker Repair Parts Kit |
| 5 | 060058A | Integral stop stem cartridge complete |
| 6 | 060198A W16538 | Single shank kit Shank fibre washer |

ROBINETTERIE POUR ÉVIER DE SERVICE

| # | N° PIÈCE | DESCRIPTION |
|---|-------------------|--|
| 1 | 060027A | Manette en croix avec vis et ind. rouge et bleu |
| 2 | 060034A | Cartouche d'obturation complète avec siège remplaçable |
| 3 | 060056A | Support de bec avec crochet pour seau |
| 4 | 060302A | Nécessaire de pièces de réparation pour casse-vidé |
| 5 | 060058A | Cartouche d'obturation complète pour robinet d'arrêt incorporé |
| 6 | 060198A W16538 | Ensemble de raccord d'accouplement simple Rondelle de fibre pour raccord d'accouplement |

LLAVE/GRIFO PARA EL LAVADERO DE SERVICIO

| # | PARTE | DESCRIPCIÓN |
|---|-------------------|--|
| 1 | 060027A | Manija en cruz con tornillo, indice rojo y azul |
| 2 | 060034A | Estructura de la espiga completa con asiento renovable |
| 3 | 060056A | Barra Sujetadora |
| 4 | 060302A | Juego de heramientas de Reparación para el Rompevavio |
| 5 | 060058A | Cartucho de espiga con tope integral completo |
| 6 | 060198A W16538 | Juego de piezas para espiga sencilla Arandela de fibra para la espiga |



THIS FAUCET MEETS THE FOLLOWING STANDARDS AND SPECIFICATIONS:

- ANSI / ASME A112.18.1M
- CSA B125 CERTIFIED
- ASSE STANDARD 1001
- CSA B64.1.1
- IAPMO LISTED

CETTE ROBINETTERIE EST CONFORME AUX NORMES ET SPÉCIFICATIONS SUIVANTES:

- ANSI / ASME A112.18.1M
- CERTIFIÉE ACNOR B125
- NORME ASSE 1001
- ACNOR B64.1.1
- ENRIGISTRÉE IAPMO

ESTA LLAVE / GRIFO CUMPLE CON LOS SIGUIENTES ESTÁNDARES Y ESPECIFICACIONES:

- ANSI / ASME A112.18.1M
- CERTIFICADO CSA B125
- 1001 ESTÁNDAR ASSE
- CSA B64.1.1
- REGISTRADO EN LAPMP

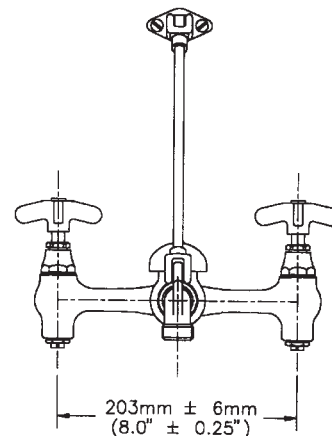
239mm ± 6mm
(9.40" ± 0.25")

- GARDEN HOSE
THREAD
- FILETS DE
BOYAU DE JARDIN
- ROSCA EN LA BOCA
DE SALIDA DE LA
MANGUERA DE
JARDÍN

152mm
(6.0")
- MINIMUM
- MINIMUM
- MÍNIMO

241mm ± 6mm
(9.48" ± 0.25")

FIXTURE FLOOD LEVEL
NIVEAU DE DÉBORDEMENT DE L'APPAREIL
NIVEL DE REBOSE PARA LAS PIEZAS DE ACCESORIO



WARRANTY

Delta Faucet, 420 Burbrook Place, London, Ontario, Canada N6A 4L6, warrants to the original purchaser that products manufactured by it, will be free from defects in material, finish and/or workmanship for a period of five (5) years from date shown on purchaser's invoice.

Delta Faucet will, at its' option, repair or replace any part which proves to be defective in material and/or workmanship during the warranty period under normal installation, water and service conditions, and use. If Delta Faucet concludes that the returned part was manufactured by Delta Faucet and is, in fact, defective, then Delta Faucet will honour the warranty stated herein.

LABOUR CHARGES AND/OR DAMAGES INCURRED IN THE INSTALLATION, REPAIR OR REPLACEMENT AS WELL AS CONSEQUENTIAL, SPECIAL, INDIRECT OR PUNITIVE DAMAGES CONNECTED THEREWITH ARE EXCLUDED AND WILL NOT BE PAID BY DELTA FAUCET.

THIS IS THE EXCLUSIVE WARRANTY MADE BY DELTA FAUCET WHICH DOES NOT MAKE ANY OTHER WARRANTY OF ANY KIND, INCLUDING ANY IMPLIED WARRANTIES OF MERCHANTABILITY OR FITNESS FOR A PARTICULAR PURPOSE.

Some states do not allow the exclusion or limitation of incidental or consequential damages, so the above limitation or exclusion may not apply to you.

This warranty is for commercial products only from Delta Faucet and Cambridge Brass and is void for any damage to the product due to misuse, abuse, neglect, accident, improper installation, any use violative of instructions furnished by Delta Faucet or any use of replacement parts other than genuine Delta Faucet parts.

GARANTIE

Delta Faucet, 420 Burbrook Place, London, Ontario, Canada, N6A 4L6, garantit à l'acheteur original que les produits qu'elle fabrique seront exempts de défauts de matériaux, finition ou fabrication pendant une période de cinq (5) ans à compter de la date indiquée sur la facture remise à cet acheteur.

Delta Faucet s'engage, à sa discrétion, à remplacer ou réparer toute pièce présentant un défaut de matériau ou de fabrication pendant la durée de la garantie, étant entendu que les conditions d'installation, la qualité de l'eau et les conditions de service, ainsi que l'utilisation sont normales. Si Delta Faucet arrive à la conclusion que le produit retourné a bien été fabriqué par Delta Faucet et présente bien un défaut, la présente garantie sera honorée.

LES FRAIS DE MAIN-D'OEUVRE ET/OU DOMMAGES LIÉS À L'INSTALLATION, AUX RÉPARATIONS OU AU REMPLACEMENT, AINSI QUE LES DOMMAGES DIRECTS, INDIRECTS, DE NATURE SPÉCIALE OU DISSUASIFS EN DÉCOULANT, SONT EXCLUS ET NE FERONT L'OBJET D'AUCUN PAIEMENT DE LA PART DE DELTA FAUCET.

LA PRÉSENTE GARANTIE EST LA SEULE QUI SOIT EXPRESSÉMENT OFFERTE PAR DELTA FAUCET, ET LA COMPAGNIE N'OFFRE AUCUNE AUTRE GARANTIE DE QUELQUE NATURE QUE CE SOIT, Y COMPRIS AUCUNE GARANTIE IMPLICITE AYANT TRAIT À LA QUALITÉ MARCHANDE OU À L'UTILISATION DU PRODUIT POUR UN USAGE PARTICULIER.

Certains états n'admettent pas l'exclusion ou la limitation des dommages directs ou indirects, de sorte que l'exclusion ou la limitation ci-dessus peuvent ne pas vous concerner.

Cette garantie ne s'applique qu'aux produits commerciaux offerts par Delta Faucet Company et Cambridge Brass et devient nulle et sans effet pour tout dommage aux produits, dû à une mauvaise utilisation, de la négligence, un accident, une installation inadéquate, toute utilisation contrevenant aux règles fournies par Delta Faucet ou tout usage de pièces de rechange autres que les pièces d'origine de Delta Faucet.

GARANTÍA

Delta Faucet, ubicada en 420 Burbrook Place, London, Ontario, Canada N6A 4L6, le garantiza al comprador original que los productos fabricados por esta compañía, estarán libres de defectos de material, acabado y/o fabricación por un período de cinco (5) años a partir de la fecha indicada en la factura del comprador.

Delta Faucet, a su discreción, reparará o reemplazará cualquier pieza que muestre estar defectuosa en material y/o fabricación, durante el período de garantía, bajo instalación, condiciones de agua, servicio y uso normal. Si Delta Faucet determina que la parte devuelta fue fabricada por Delta Faucet y está realmente defectuosa, entonces Delta Faucet reconocerá esta garantía.

LOS CARGOS POR LA LABOR Y/O DAÑOS INCURRIDOS EN LA INSTALACIÓN, REPARACIÓN O REPUESTO, COMO TAMBIÉN DAÑOS INCIDENTALES Y CONSECUENTES, ESPECIALMENTE DAÑOS INDIRECTOS O PUNITIVOS, CONECTADOS CON ESTOS ESTÁN EXCLUIDOS Y NO SERÁN PAGADOS POR DELTA FAUCET.

ESTA ES UNA GARANTÍA EXCLUSIVA OFRECIDA POR DELTA FAUCET, QUE NO HACE CUALQUIER OTRA GARANTÍA DE CUALQUIER TIPO, INCLUYENDO CUALQUIER GARANTÍA IMPLÍCITA MERCANTIL O DE CONVENIENCIA PARA UN PROPÓSITO PARTICULAR.

Algunos estados no permiten la exclusión o limitación de daños incidentales o consecuentes, de manera que la limitación o exclusión arriba escrita pueda no aplicarle.

Esta garantía es sólo para productos comerciales de Delta Faucet y Cambridge Brass y es nula por cualquier daño causado al producto por mal uso, abuso, negligencia, accidente, instalación inapropiada, cualquier uso que viole las instrucciones proporcionadas por Delta Faucet, o cualquier uso de piezas de repuesto que no sean las genuinas de Delta Faucet.

Box 5750, 420 Burbrook Place,
London, Ontario, Canada N6A 4L6
Tel. 1-800-567-3300 (ENG.)
Tél. 1-800-265-9425 (FR.)

Box 40980, 55 East 111th Street
Indianapolis, Indiana, 46280
Tel. (317) 848-1812
Website: www.deltafaucet.com

WATER COOLER



WATER COOLERS INSTALLATION/MAINTENANCE INSTRUCTIONS

A172.8FGVR Series Barrier Free, 14 Gage Stainless Steel, Enhanced Vandal Resistance, Bi-Level, Wall Mounted Water Cooler



**TECHNICAL ASSISTANCE TOLL FREE TELEPHONE NUMBER:
1.800.591.9360**

Technical Assistance E-Mail: fieldservice@acorneng.com

NOTES TO INSTALLER:

1. Please leave this documentation with the owner of the fixture when finished.
2. Please read this entire booklet before beginning the installation.
3. Check your installation for compliance with plumbing, electrical and other applicable codes.
4. **IMPORTANT:** Water supply to unit from RO Reverse Osmosis filtration systems will damage fixture components and void product Warranty.

Murdock assumes no responsibility for use of void or suspended data. © Copyright Murdock, City of Industry, CA Member of Morris Group International. Please visit www.murdockmfg.com for most current specifications.

COMPLIES WITH
STANDARDS



Federal
Public Law
111-280
(No Lead)



NSF/ANSI/CAN 61

ANSI/ASHRAE 18

murdock[®]
SINCE 1853

15125 Proctor Ave, City of Industry,
CA, 91746 U.S.A.
Phone 800-453-7465

Member of



7020-928-001 Date: 06/01/2023 A

www.murdockmfg.com

IMPORTANT

This fixture is intended to dispense water that has been lowered in temperature, but otherwise remains unchanged by the materials in the water cooler. It is common for electrical equipment to be grounded to water lines either within a structure or away from it. Every attempt should be made to prevent this kind of grounding from generating electrical feedback into the water cooler creating electrolysis. Electrolysis will cause a metallic taste or cause water metal content to increase.

NOTICE

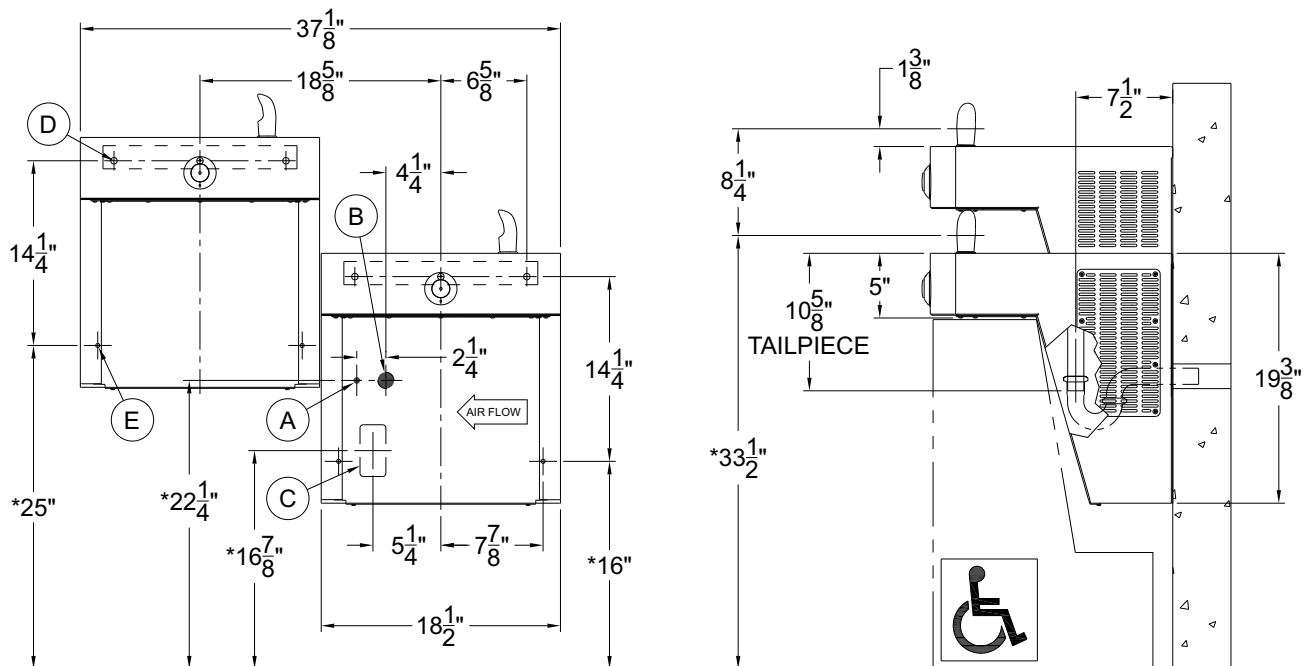
A dielectric coupling must be used to connect the water cooler to the water supply. A nonmetallic coupler is furnished with this water cooler to meet this requirement.

ROUGHING-IN AND DIMENSIONAL DRAWING

Prior to roughing consult with local, state, and federal codes for proper mounting height.

A172408FGVR Wall Mounted Drinking Fountain

- A. 3/8" NCT SUPPLY INLET
- B. WASTE OUTLET FOR 1-1/4" P-TRAP BY OTHERS
- C. ELECTRICAL SERVICE ROUGH
- D. Ø1/2" HANGER BRACKET PUNCHING, 3 PLACES FOR ANCHORING HARDWARE BY OTHERS
- E. Ø5/16" PUNCHING, 2 PLACES FOR ANCHORING HARDWARE BY OTHERS

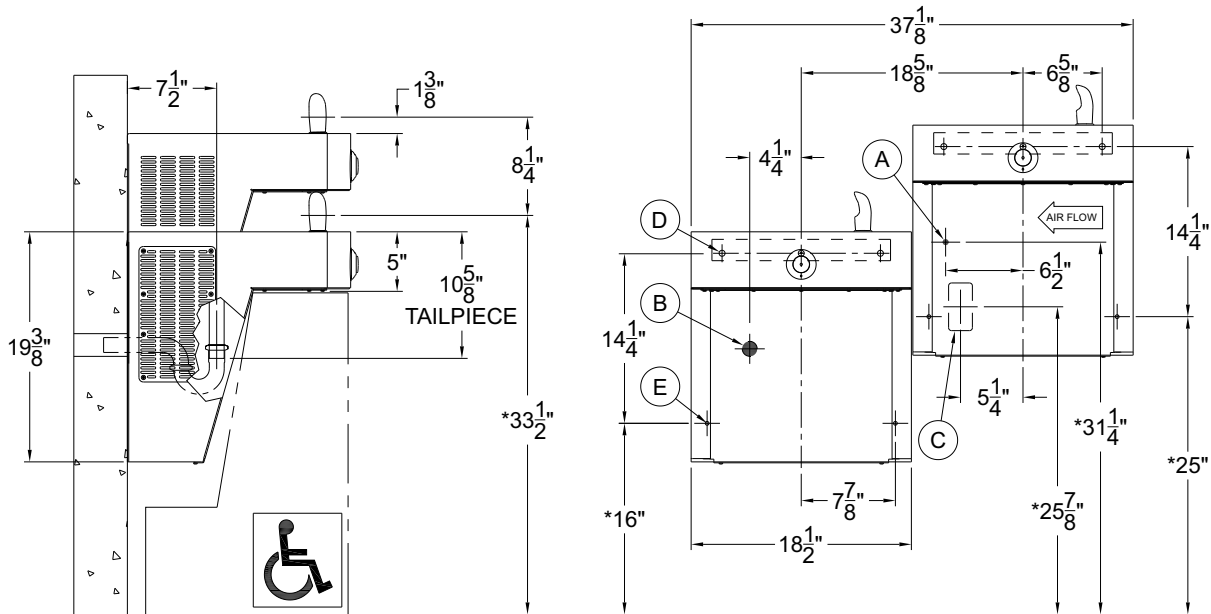


GENERAL NOTES:

1. ALL DIMENSIONS ARE IN INCHES [MM]
2. ALLOW 4 INCHES [102 MM] MINIMUM CLEARANCE PER SIDE FOR VENTILATION
- *3. DIMENSIONS SHOWN ARE FOR RECOMMENDED ADULT HEIGHT. ADJUST VERTICAL DIMENSIONS AS NECESSARY TO COMPLY WITH FEDERAL, STATE, & LOCAL CODES
4. STOP VALVE, P-TRAP, & ELECTRICAL OUTLET NOT SUPPLIED
5. IMPORTANT: COOLERS MUST BE ATTACHED TO WALL WITH APPROPRIATE WALL ANCHOR SCREWS

NOTES: Dimensions indicated * are for ADA frontal approach installation. Adjust vertical dimension * as required to comply with federal, state, and local codes. For Child ADA compliant parallel approach, decrease spout height to 30" maximum above finished floor. Provide clear floor space as required. Compliance is subject to the interpretation and requirements of the Local Code Authority.

A172408FGVR Wall Mounted Drinking Fountain- Reverse Bi-Level



PRIOR TO INSTALLATION:

Important: some options may slightly alter installation. To ensure proper installation review the manual thoroughly and verify rough-ins before beginning work. File this manual with the owner or maintenance personnel upon completion of installation.

- Fixture mounting requirements: industry standard wall construction, adequate to support the fixture and installer provided wall anchors sufficient to secure the fixture.
- Receptacle(s) must be wired to a GFCI protected circuit. Fixture must be earth grounded per NEC (National Electric Code).
- Inspect fixture and all parts from damages and all parts are bolted on.

IMPORTANT:

1. Waste P-Trap, Water Supply Service Angle Stop Valve and 2" x 4" Electrical Plug-In Receptacle to be supplied by others in accordance with local codes. A metallic p-trap (by others) must be used for the drain connection.
2. Provide 4" minimum clear space on fixture sides to allow for proper ventilation through cabinet louvers.
3. Water supply is 3/8" Outer Diameter copper tube. Waste is 1-1/4" Outer Diameter.
4. Completely flush supply lines of all foreign debris before connecting to fixture. Water cooler is designed to not cause problems with taste, odor, color, or sediment. Optional water filter (Wf1) is available should any of these problems arise from the water supply.
5. Do NOT solder tubes inserted into the coupler as damage to the o-ring may result.
6. All burrs must be removed from outside of cut tubes before inserting into coupler or other components.
7. Power supply must be identical in voltage, cycle and phase to that specified on the cooler data plate. Electrical outlet and furnished power cord with plug must be used to supply power to fixture. Do NOT wire compressor directly to the power supply.

8. This unit must be grounded per the requirements of applicable electrical codes.
9. Warranty is voided if installation is not made following current Acorn Engineering installation instructions and if components are assembled to the fixture that is not approved by Acorn Engineering.
10. Fixture is to operate within a water pressure range of 20 PSIG (138 kPa) to 105 PSIG (724 kPa). Warranty is void if the unit is allowed to operate outside the range of 20 PSIG (138 kPa) to 105 PSIG (724 kPa). **Consult with UPC and local codes for maximum allowable water pressures.**
11. Due to cold waste water, Acorn Engineering recommends that p-trap supplied by installer be insulated to prevent excessive condensation.
12. Per UPC 609.10- *All building water supply systems in which quick acting valves are installed shall be provided with devices to absorb the hammer caused by high pressure resulting from the quick closing of the valve. These pressure-absorbing devices shall be approved mechanical devices. Water pressure-absorbing devices will be installed as close as possible to the quick closing valve.*

INSTALLATION:

1. Mount hanger bracket to wall horizontally level as shown in Roughing-In and Dimensional Drawing. **Note:** Adjust height of bracket if bubbler outlet height is required to vary from that shown. Hanger Bracket **MUST** be securely anchored to wall with fasteners sufficient to support 3 times weight of cooler. If wall can not provide adequate support, order and install optional fixture support carrier.
2. Remove the bottom cover from the water cooler and set aside in a safe place. Save the screws in a secure location for re-use in later stages of installation.
3. Hang the water cooler on the hanger bracket, ensuring the bracket tabs engage AND seat in the slots in the back of the water cooler. Verify water cooler is level, left to right AND front to back from bottom of unit. **NOTE:** The bubbler stream may be adversely affected if unit is not square and level. Bottom of unit and louvers should be used as reference to verify unit is square and plumb.
4. Anchor water cooler to wall at other mounting points in base. Shim lower rear mounting points to level unit if necessary.
5. Thoroughly flush the 3/8" O.D. supply line and then connect water cooler to water supply angle stop valve (by others) with supplied 3/8" O.D. copper tube.
6. Make up 1-1/4" O.D. p-trap (by others) waste connection.

START UP:

1. **Do not connect electrical power to unit:** With Bottom Cover removed, turn on fixture water supply and check all connections for leaks.
2. Air within the Water Cooler system or the structure supply piping will cause an irregular Bubbler outlet stream until purged out by incoming water. Thoroughly flush and purge air from supply line by depressing the Pushbutton or activating infrared sensor, until steady water stream is achieved.
3. If water flow requires adjustment, insert a slotted narrow blade screwdriver through the hole centered on the pushbutton to the flow regulator. Turning clockwise will increase flow and turning counterclockwise will decrease flow.
4. Recheck all water and drain connections with water flowing through system.
5. With power still **NOT** connected, carefully manually rotate cooling fan to insure proper clearance and free fan action.
6. Plug Water Cooler into Electrical Outlet and make sure unit begins to function. **IMPORTANT:** After turning power on to initiate cooler and cool down, immediately purge (chiller) water by operating unit continuously for approx. 1 minute.

IMPORTANT! Thoroughly, inspect all unit connections for water leaks.

7. Assemble bottom cover to water cooler with screws furnished.

TROUBLE SHOOTING:

IMPORTANT: BEFORE MAKING ANY OF THE REPAIRS LISTED, MAKE SURE THE WATER COOLER IS DISCONNECTED FROM THE ELECTRICAL SUPPLY AND THE WATER SUPPLY VALVE IS SHUT OFF.

IMPORTANT : ASSUREZ-VOUS QUE LA FONTAINE D'EAU POTABLE RÉFRIGÉRÉE SOIT DÉBRANCHÉE DE LA PRISE DE COURANT MURALE ET QUE LE ROBINET D'ALIMENTATION D'EAU SOIT FERMÉ AVANT D'EFFECTUER LES RÉPARATIONS NÉCESSAIRES.

1. Adjustments:

- a. Cartridge – The water flow can be adjusted using a slotted narrow blade Screwdriver and turning clockwise to increase flow and counterclockwise to decrease flow.
- b. Bubbler Stream – Bubbler can be rotated slightly to direct the stream backwards or forwards. Adjust the stream to minimize splashing. Splashing may occur from Bubbler stream if the unit is not level. Shim lower mounting points, if necessary, to level Water Cooler.
- c. Cold Water Thermostat – **IMPORTANT:** Thermostat is Factory pre-set. Thermostat settings should never be field adjusted since damage to fixture may occur, voiding product Warranty.

2. Compressor Does Not Run

- a. Check the electrical receptacle for power and correct voltage. The incoming voltage must be within 10% of the rated voltage on the serial nameplate.
- b. The cold thermostat is accessible by removing the bottom access cover. If the cold thermostat capillary bulb loses its charge or becomes kinked it will fail in the open position causing a disruption of power to the compressor. Unplug the water cooler and using an ohm meter check for continuity across the two electrical terminals on the thermostat. Install a new thermostat if there is no continuity.
- c. Check for loose wires within the compressor box. The incoming power leads must be connected to the overload and relay.
- d. If all components check positive for continuity then test the wiring harness plug for continuity to see if there is a broken wire within the wiring harness insulation.

3. Compressor Runs – Water Is Warm

- a. The most common cause for a water cooler to run without producing cold water is a loss of refrigerant. The water cooler must be taken to a certified refrigerant technician for repairs.
- b. Make sure the condenser fan motor is operative. The fan blade must turn freely to help remove the heat of compression.
- c. An incorrect refrigerant charge, restriction or defective compressor (not pumping) will also cause the compressor to run without producing cold water. All these signs indicate a problem within the refrigeration system and the water cooler must be checked by an authorized service company.

4. Compressor Cycling On Overload Protector

- a. A dirty condenser or a blocked fan will cause a high head pressure and frequent cycling of the overload protector.
- b. Check the incoming voltage to make sure it is within 10% of the serial nameplate rating.
- c. A restriction or moisture in the system will also cause intermittent cycling. A certified refrigeration mechanic should be contacted in this situation.
- d. Change the overload or relay if defective.

5. Noisy Operation
 - a. Check to make sure the fan blade is rotating freely.
 - b. Make sure the water cooler is correctly mounted to the wall. Absence of the two lower mounting bolts may cause excess noise and vibration.
 - c. Check the compressor mounting to make sure the pins and clips are not rattling. If the compressor appears to be noisy internally, it must be replaced.
6. Restricted Or No Water Flow
 - a. Ensure water supply service stop valve is fully open.
 - b. Verify minimum 20 psig supply line flow pressure.
 - c. Check for twists or kinks in bubbler tubing.
 - d. Check the water inlet strainer. Sediment from the main supply can get trapped in the screen along with installation materials such as pipe dope and flux. The screen should be cleaned and checked on a regular basis and replace if needed.
NOTE: STRAINER SCREEN MUST BE IN PLACE FOR WATER TO FLOW.
 - e. The cartridge valve located in the water control assembly or bubbler can also become clogged with foreign material. The cartridge valve can only be replaced and not repaired.
 - f. Check flow adjustment. See start up note #3.
 - g. The water cooler may develop a freezing condition in which the water will become frozen inside the evaporator coil. This indicates a refrigeration problem or thermostat failure. Disconnect the electrical power and have the unit checked by a qualified technician.
7. Water Drip Or Will Not Shut Off:
 - a. Remove Pushbutton. Adjust flow regulator to the highest setting using a flat head screwdriver and turning clockwise. Check if water drip continues, if it is no longer dripping turn screwdriver counter-clockwise until you have desired flow rate. Assure that retaining nut is tighten to valve assembly, 25 in-lb torque is required. If issue still continues after adjusting flow and tightening retainer nut, replacement of the flow regulator cartridge will be required in the center or two holes in convolution of the water diaphragm. Remove and clean.

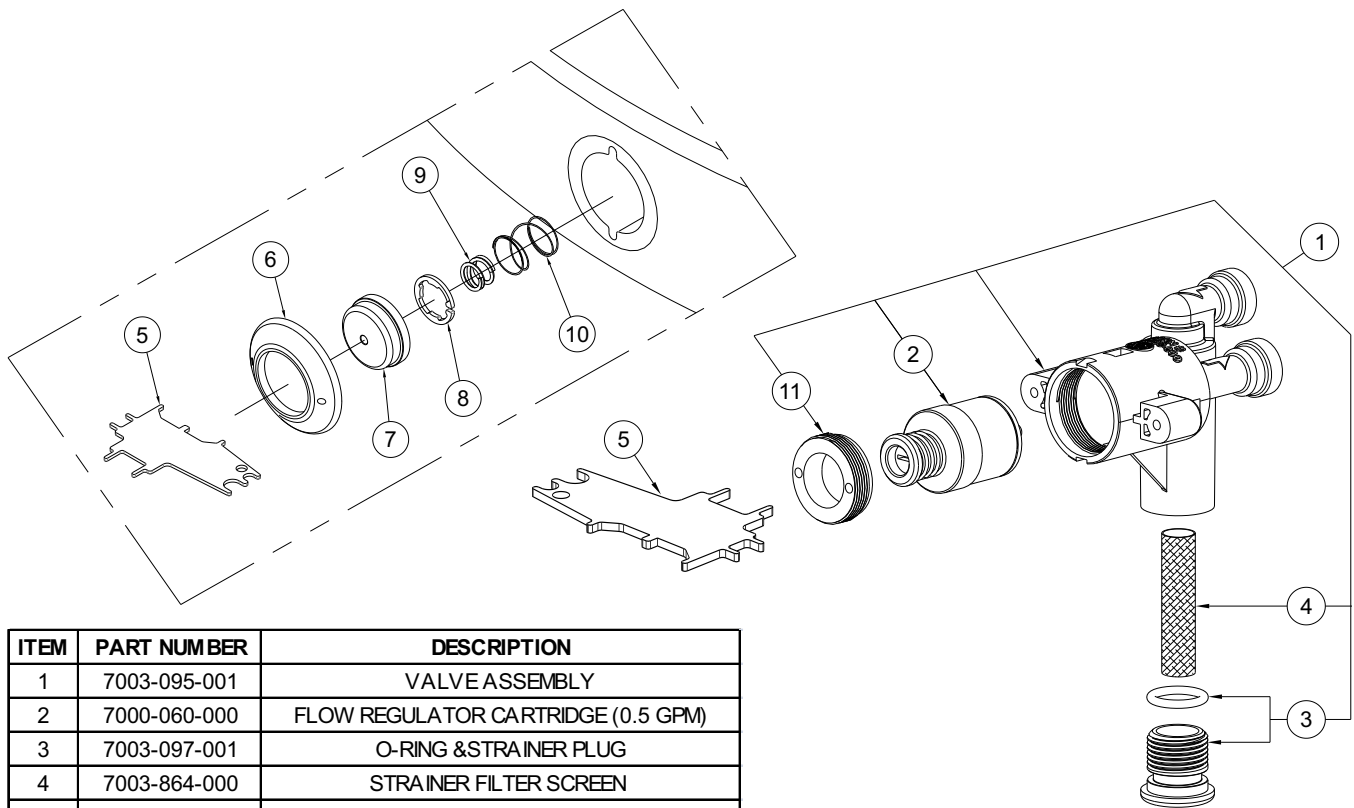
CLEANING & MAINTENANCE GUIDE:

1. Motors have lifetime lubrication and do not require scheduled maintenance.
2. Excess dirt or poor ventilation will cause the compressor overload protector to turn the compressor off and it will cycle on and off with no cold water coming out of bubbler. Periodically clean with vacuum cleaner, air hose or brush the condenser fins and cabinet ventilation louvers. In environments where dirt and dust is more prevalent, clean more frequently.
3. Periodically remove access panels and clean out in-line strainer.
4. Do NOT use harsh chemicals, abrasive or petroleum based cleaners. Use of these will void the Murdock warranty.
5. Exterior panels can be cleaned using mild household detergents or warm, soapy water. Extra care must be used cleaning chrome plated items and mirror finished stainless steel. They can scratch easily and should only be cleaned using a clean, soft cloth and mild soap with water or a mild glass cleaner.

CARTRIDGE REPLACEMENT/ STRAINER MAINTENANCE

Note: Use the -VR maintenance tool to perform the following:

1. Strainer plug ③ **must** be removed before cartridge replacement and strainer maintenance (no need to turn the water off at the angle stop). Some residual water will drain during plug removal.
2. Clean strainer ④ as needed using clean water.
3. Cartridge replacement - Rotate and remove -VR pushbutton escutcheon ⑥ to release pushbutton ⑦ and springs ⑨⑩ to access cartridge.
4. Remove cartridge retaining nut ⑪ . Remove and replace cartridge ②. When replacing cartridge be sure to align the inlet and outlet ports on the cartridge with the ports in the valve body.
5. Install item ⑪ using maintenance tool ⑤ (Be careful not to over tighten)
6. Install button assembly items ⑥⑦⑧⑨⑩ using maintenance tool ⑤. Insure springs are fully seated onto button.
7. Reinstall strainer ④ and plug ③ using maintenance tool ⑤.



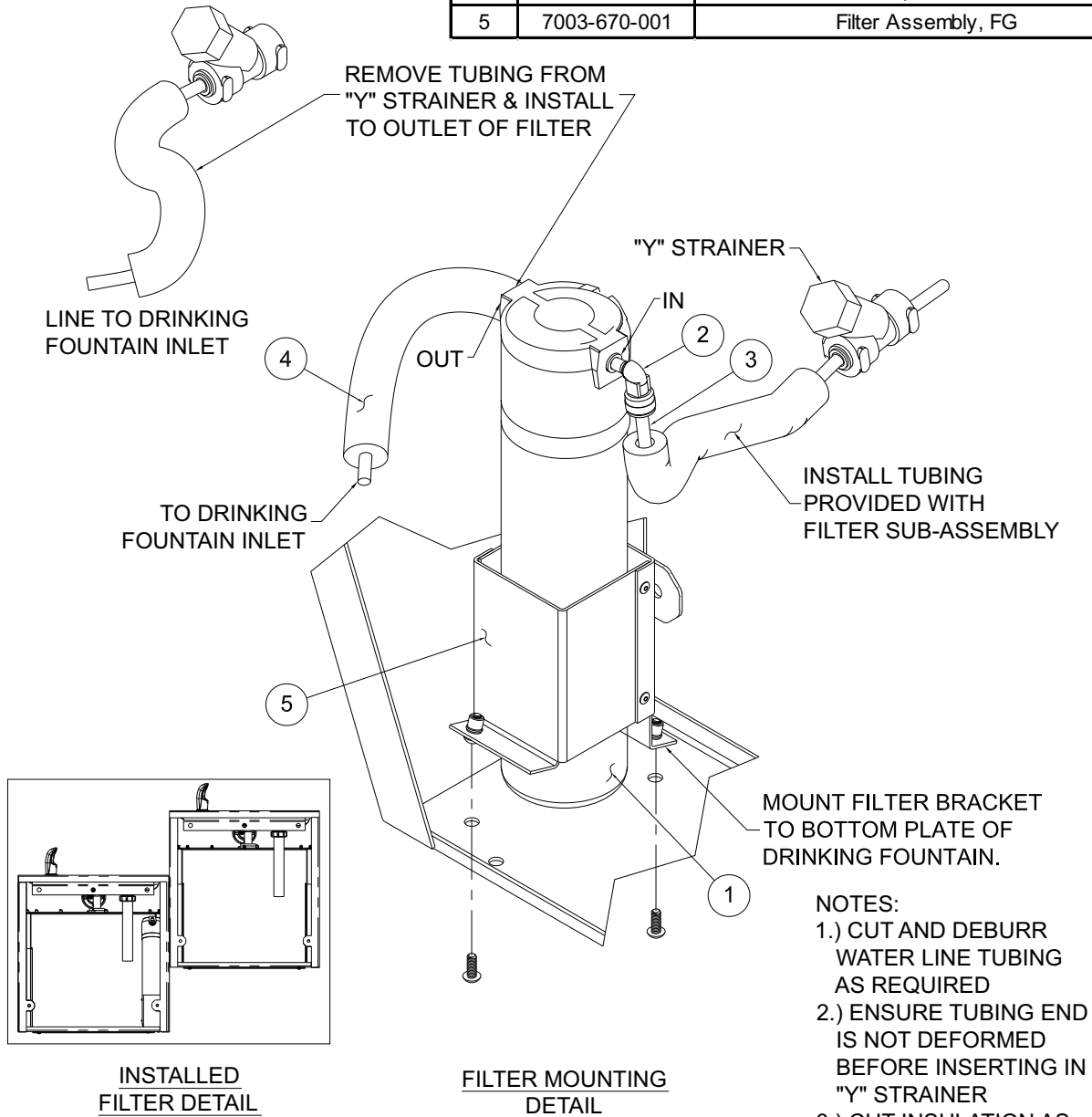
| ITEM | PART NUMBER | DESCRIPTION |
|------|--------------|-------------------------------------|
| 1 | 7003-095-001 | VALVE ASSEMBLY |
| 2 | 7000-060-000 | FLOW REGULATOR CARTRIDGE (0.5 GPM) |
| 3 | 7003-097-001 | O-RING & STRAINER PLUG |
| 4 | 7003-864-000 | STRAINER FILTER SCREEN |
| 5 | 7003-194-199 | (-VR) MAINTENANCE TOOL |
| 6 | 7003-197-199 | (-VR) PUSHBUTTON ESCUTCHEON, CHROME |
| 7 | 7003-196-199 | (-VR) PUSHBUTTON, CHROME |
| 8 | 7003-192-199 | (-VR) PUSHBUTTON SPRING SPACER |
| 9 | 7003-195-000 | (-VR) PUSHBUTTON OVERTRAVEL SPRING |
| 10 | 7003-193-000 | (-VR) PUSHBUTTON RETURN SPRING |
| 11 | 7000-052-000 | RETAINING NUT |

**NOTE: STRAINER FILTER SCREEN
MUST BE IN PLACE FOR
WATER TO FLOW.**

OPTIONAL -WF1 WATER FILTER

See the following page for models with -WF1 Water Filter (A172.8-FG-VR-WF1)

| ITEM | PART NUMBER | DESCRIPTION |
|------|--------------|--|
| 1 | 7012-311-000 | WF1 Filter 1500 Gal |
| 2 | 1895-709-000 | Elbow , Push in, 1/4" O.D. x 1/4" Stem |
| 3 | 2169-000-000 | 1/4" O.D. LLDPE Tubing, Blue |
| 4 | 7012-055-000 | Foam Pipe Insulation |
| 5 | 7003-670-001 | Filter Assembly, FG |

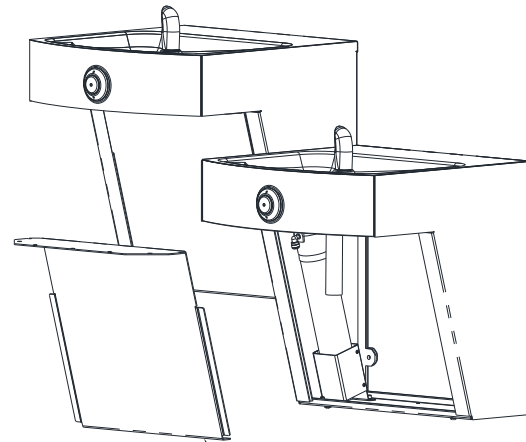


OPTIONAL -WF1 WATER FILTER

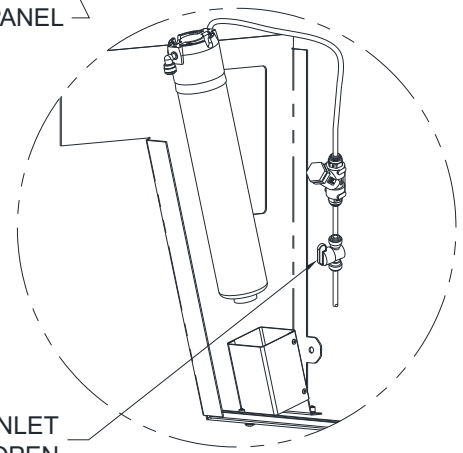
See the following page for models with -WF1 Water Filter (A172-FG-VR-WF1)

FILTER CARTRIDGE REPLACEMENT:

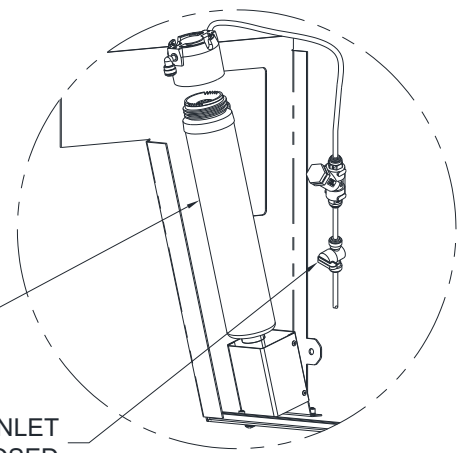
1. Remove access panel, this allows access to the filter and the water inlet valve (provided by others). Turn valve knob 1/4 turn clockwise to close.
2. Slowly lift water filter from the water filter bracket assembly.
3. With the water filter removed from the bracket assembly, hold the cap firmly. Turn the replaceable cartridge filter counterclockwise to remove.
4. Remove and replace the cartridge turning clockwise to secure.
5. Re-insert the water filter into the water filter bracket assembly.
6. Turn water inlet 1/4 turn knob 1/4 turn counterclockwise to open and test for leaks and proper operation before closing access panel.



ACCESS PANEL



WATER INLET VALVE OPEN



REPLACEMENT CARTRIDGE

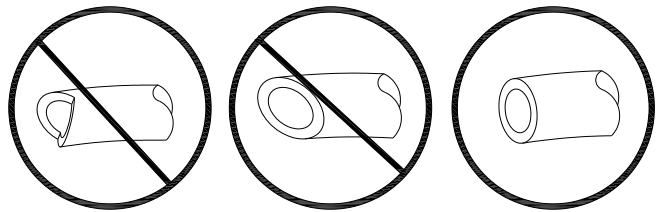
WATER INLET VALVE CLOSED

PUSH-IN FITTING INSTALLATION

NOTE: FITTINGS AND TUBE SHOULD BE KEPT CLEAN, BAGGED AND UNDAMAGED PRIOR TO INSTALLATION.

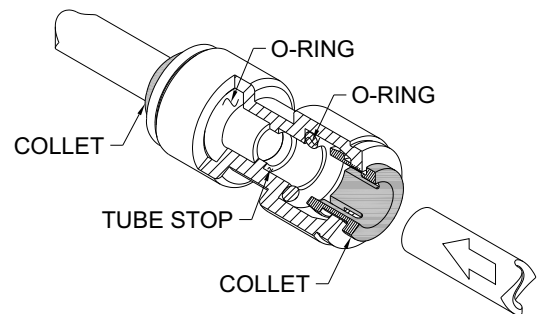
TO CUT TUBE:

Cut to fit length of 1/4" PE tubing and remove any burrs or sharp edges. Ensure that the outside diameter is free from score marks. Tube ends should be square.

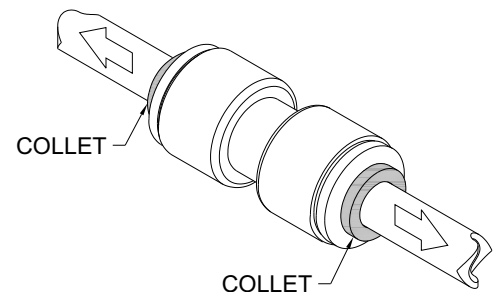


INSERTING THE TUBE:

1. Firmly and fully insert the tubing end into the push-in fitting up to the tube stop located approximately 1/2" deep.

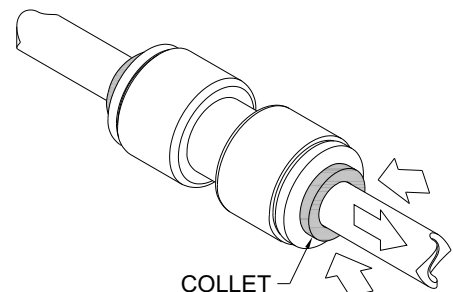


2. Pull on the fitted tubing to ensure it is secure. Tube should not come free from the fitting. Water test the connection assembly prior to leaving the site to ensure there are no leaks.




DISCONNECTING THE TUBE:

To disconnect the tube from the fitting ensure that the water line is depressurized. Push collet square towards the push-in fitting body and hold. While holding the collet in, pull on the PE tubing to remove from the push-in fitting.

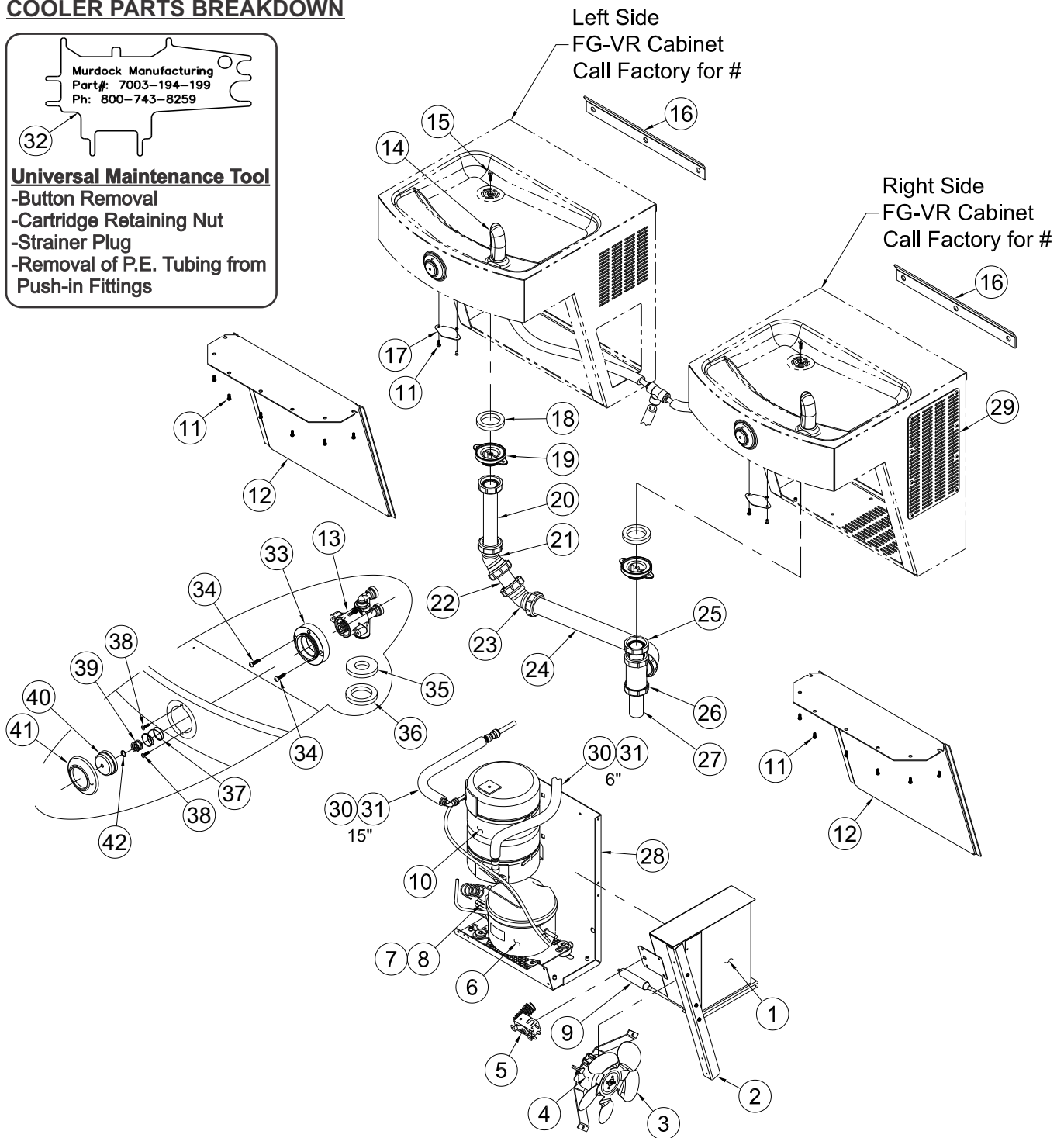


COOLER PARTS BREAKDOWN

Murdock Manufacturing
Part#: 7003-194-199
Ph: 800-743-8259



Universal Maintenance Tool
-Button Removal
-Cartridge Retaining Nut
-Strainer Plug
-Removal of P.E. Tubing from Push-in Fittings



Standard A171.8 series refrigerated ADA cooler shown. All 1/4" O.D. Plastic tubing (30) must be insulated with (31) foam insulation.

NOTE: See next page for table of part numbers corresponding to drawing above.

COOLER PARTS BREAKDOWN TABLE

NOTE: See previous page for fixture drawing corresponding to table of parts below.

| ITEM# | PART NUMBER | DESCRIPTION |
|-------|--------------|--|
| 1 | 7003-201-000 | CONDENSER |
| 2 | 7003-634-199 | FG-VR SUPPORT STRUT |
| 3 | 7003-355-000 | FAN BLADE |
| 4 | 7003-302-001 | FAN MOTOR |
| | 7012-062-000 | FAN MOTOR - 220V |
| 5 | 7003-250-000 | COLD CONTROL |
| 6 | 7012-801-000 | COMPRESSOR |
| | 7012-030-001 | COMPRESSOR - 220V |
| 7 | 7012-802-000 | START RELAY |
| | 7012-031-000 | START RELAY - 220 |
| 8 | 7012-803-000 | START CAPACITOR |
| | 7012-032-000 | START CAPACITOR - 220 |
| 9 | 7012-050-000 | FILTER / DRYER |
| 10 | 7003-115-001 | EVAPORATOR ASSEMBLY |
| 11 | 0112-002-000 | CENTER REJECT ALLEN BUTTON HEAD SCREW |
| 12 | 7003-681-199 | FG-VR STAINLESS STEEL KNEE PANEL |
| 13 | 7003-095-001 | VALVE ASSEMBLY |
| 14 | 7000-012-001 | STAINLESS STEEL BUBBLER ASSEMBLY |
| 15 | 0152-006-000 | CENTER REJECT ALLEN FLAT HEAD SCREW |
| 16 | 7012-803-000 | FG-VR HANGER BRACKET |
| 17 | 7003-681-299 | ACCESS PLATE, -VR AUTO-STOP |
| 18 | 7000-006-000 | FLAT DRAIN ADAPTER GASKET |
| 19 | 7000-005-199 | DRAIN ADAPTER |
| 20 | 7000-019-001 | WASTE TAILPIECE ASSEMBLY |
| 21 | 7003-073-000 | 1-1/4" x 1-1/2" COMPRESSION 45° ELBOW |
| 22 | 1758-043-299 | 1-1/2" O.D. x 3" LONG DRAIN TUBE |
| 23 | 7003-072-000 | 1-1/2" x 1-1/2" COMPRESSION 45° ELBOW |
| 24 | 1758-043-199 | 1-1/2" O.D. x 15" LONG WASTE ARM |
| 25 | 7000-032-001 | 1-1/4" x 1-3/4" LONG DRAIN TUBE ASSEMBLY |
| 26 | 7003-070-000 | 1-1/2" COMPRESSION TEE |
| 27 | 7000-032-299 | 1-1/4" O.D. BRASS WASTE TAILPIECE |
| 28 | 7003-300-005 | BACK PANEL ASSEMBLY |
| 29 | 7003-604-002 | ACCESS PANEL |
| 30 | 2169-000-000 | 1/4" O.D. TUBING |
| 31 | 7012-055-000 | TUBE INSULATION |
| 32 | 7003-194-199 | (-VR) MAINTENANCE TOOL |
| 33 | 7003-198-199 | (-VR) PUSHBUTTON MOUNTING SLEEVE |
| 34 | 0124-055-000 | #8x3/4 PHILLIPS ROUND HEAD SS SM SCREW |
| 35 | 7003-199-000 | AUTO-STOP CONDENSATION GASKET, UPPER |
| 36 | 7003-200-000 | AUTO-STOP CONDENSATION GASKET, LOWER |
| 37 | 7003-193-000 | (-VR) PUSHBUTTON RETURN SPRING |
| 38 | 0161-062-000 | #6-32 x 1/2" S/S PHIL FLAT HD SCREW |
| 39 | 7003-195-000 | (-VR) PUSHBUTTON OVERTRAVEL SPRING |
| 40 | 7003-196-199 | (-VR) PUSHBUTTON, CHROME |
| 41 | 7003-197-199 | (-VR) PUSHBUTTON ESCUTCHEON, CHROME |
| 42 | 7003-192-199 | (-VR) PUSHBUTTON SPRING SPACER |

Repairs must be made with Acorn Engineering parts only. Please order through your local representative or distributor. The phone number to locate your local representative is 1.800.591.9360.



CROMWELL

SUBMITTAL REVIEW FORM

1300 EAST 6TH STREET
LITTLE ROCK, AR 72202
PHONE: 501-372-2900
FAX: 501-372-0482

Reviewing is only for conformance with the design concepts of the Project and compliance with the information given in the contract documents. The Contractor is responsible for dimensions to be confirmed or correlated at the site; for information that pertains solely to the fabrication process, or to the means, methods, techniques, sequences, and procedures of construction; and for coordination of the work of all other trades

**JOB TITLE: LITTLE ROCK SCHOOL DISTRICT
BATHROOM RENOVATION
HORACE MANN MAGNET MIDDLE**
JOB NO: 2022-207
SUBMITTAL NO: 224000 Plumbing Fixtures
BY: Cameron McGee
DATE: 05-16-2023

| Item No. | Description (See contractor transmittal for corresponding description) | No Exception Taken | Make Corrections Noted | Revise and Resubmit | Not Accepted | Comments |
|----------|---|--------------------|------------------------|---------------------|--------------|----------|
| 1 | WC-1 | x | | | | |
| 2 | WC-2 | x | | | | |
| 3 | UR-1, UR-2 | x | | | | |
| 4 | UR Carrier | x | | | | |
| 5 | LV-1 | x | | | | |
| 6 | LV-2 | x | | | | |
| 7 | SH-1 | x | | | | |
| 8 | SH-2 | x | | | | |
| 9 | EWC-1 | x | | | | |
| 10 | EWC Carrier | x | | | | |
| 11 | EWC-2 | x | | | | |
| 12 | JS-1 | x | | | | |

3303 - LRSD MANN MIDDLE SCHOOL RESTROOM RENOVATION

1000 East Roosevelt Road
Little Rock, Arkansas 72206
United States

Baldwin & Shell Construction Co.
1000 West Capitol.
Little Rock, Arkansas 72201
United States
(501) 374-8677

Title

Plumbing Fixtures - Product Data

Submittal Manager

Jennifer Lytle

Spec Section

22 40 00 - Plumbing Fixtures

Type

Product Data

Number

22 40 00-1

Rev

0

Description

B. Product Data: Provide catalog illustrations of fixtures, sizes, rough-in dimensions, utility sizes, trim, and finishes.

General Contractor's review is for general conformance with contractual documents. Markings or comments shall not be construed as relieving the Subcontractor/Supplier from compliance with project plans & specifications. The Supplier or Subcontractor remains responsible for confirming & coordinating all quantities & dimensions.

BALDWIN & SHELL CONSTRUCTION CO.

By J. Lytle Date 5/5/23

WC-1



Wellcomme™ Ultra

Top spud flushometer bowl
K-96053

KOHLER is not listed as approved manufacturer. Please confirm this manuf. is acceptable as this product meets/exceeds specs requirements.

Features

- Elongated, Standard height bowl
- 1-1/2" (38 mm) top spud
- 10" x 7" (254 mm x 178 mm) water surface
- 2-1/8" (54 mm) fully glazed trapway
- 10" or 12" (254 or 305 mm) rough-in
- 1.0 gpf (3.8 lpf), 1.1 gpf (4.2 lpf), 1.28 (4.8 lpf), or 1.6 gpf (6.0 lpf) depending on flushometer specified
- Also available with antimicrobial finish K-96053-SS

Material

- Vitreous china

Technology

- Designed to outperform competitors in bowl cleanliness and plug resistance
- Maximum waste removal
- Engineered for toilet seat cover removal
- Excellent bowl rinse
- Engineered to flush effectively in buildings with low supply pressure and flow
- Maximum drain line carry at all flush volumes per ASME standard

Installation

- Replaces Wellcomme K-4350 and Wellworth K-4406. Height and footprint may vary

Included Components

Additional Components:

- Bolt cap accessory pack
- Spud



Codes/Standards

ASME A112.19.2/CSA B45.1
DOE - Energy Policy Act 1992
EPA WaterSense™
California Energy Commission (CEC)

KOHLER® One-Year Limited Warranty

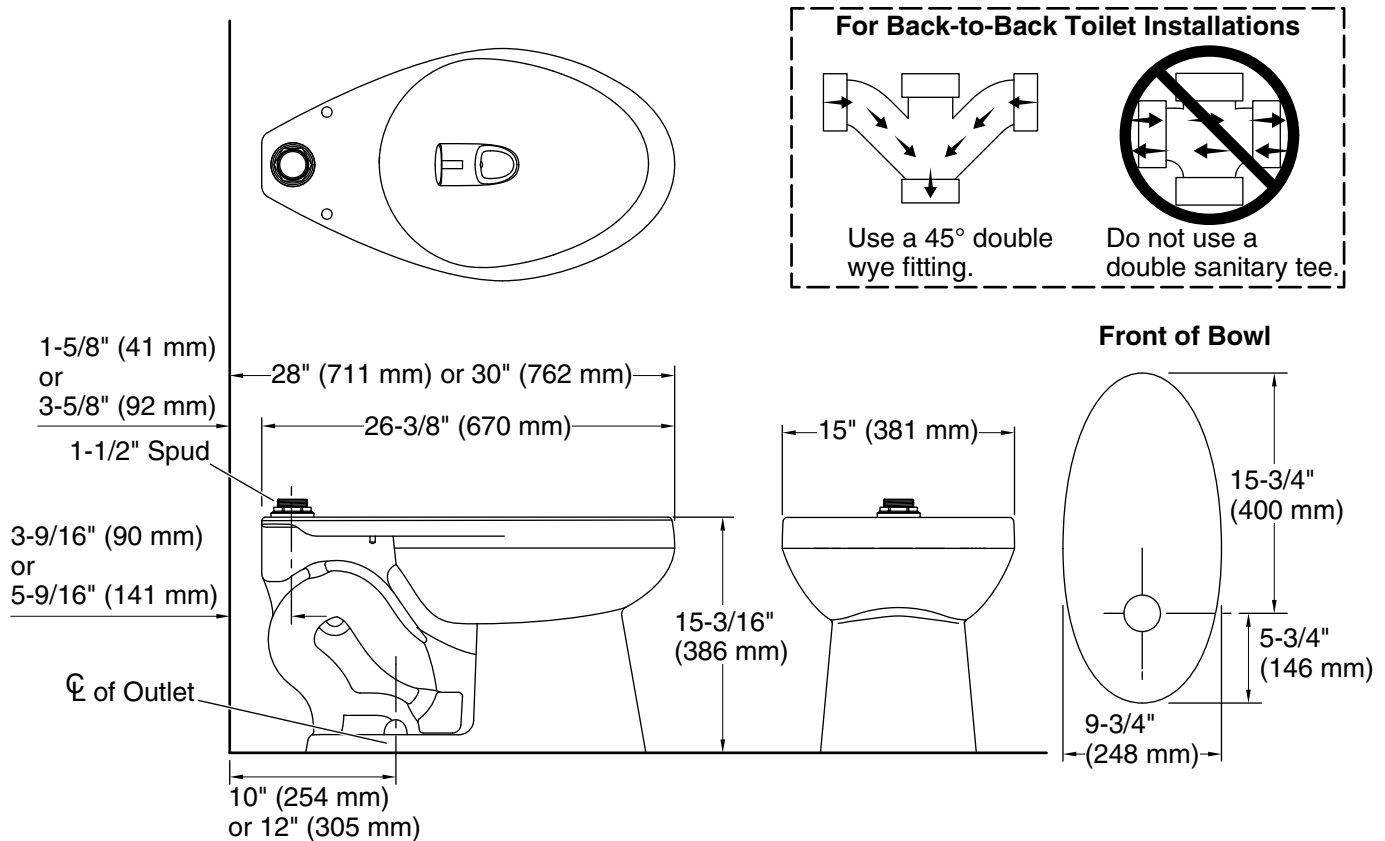
See website for detailed warranty information.

Available Colors/Finishes

Color tiles intended for reference only.

Color Code Description

| | | |
|--|----|--------------|
| | 0 | White |
| | 96 | Biscuit |
| | 7 | Black Black™ |



Technical Information

All product dimensions are nominal.

| | |
|-----------------------|----------------------------|
| Toilet type: | Floor-mount |
| Waste Outlet: | Floor |
| Bowl shape: | Elongated |
| Flush type: | Flushometer valve siphon |
| Spud size: | 1 1/2, Inlet, Top |
| Trap passageway: | 2-1/8" (54 mm) |
| Water surface size: | 10" x 7" (254 mm x 178 mm) |
| Rim to water surface: | 6" (152 mm) |
| Rough-in: | 12" (305 mm) |
| Seat-mounting holes: | 5-1/2" (140 mm) |

Fixture Supply Requirements

| | |
|-----------------------|--------------------|
| Min static pressure: | 35 psi (241.3 kPa) |
| Max static pressure: | 80 psi (551.6 kPa) |
| Min flowing pressure: | 25 psi (172.4 kPa) |

Notes

Install this product according to the installation instructions.

For back-to-back toilet installations: Use only a 45° double wye fitting.

If Fixture Supply Pressure is below 35 psi static, then fixture must be paired with a valve rated at 1.28 gpf or greater.

CODE NUMBER

3780010

DESCRIPTION

1.6 gpf, Dual-Filtered Fixed Bypass Diaphragm, Polished Chrome Finish, Fixture Connection Top Spud, Single Flush, Sloan® Exposed Manual Water Closet Flushometer.

DETAILS

- Flush Volume: 1.6 gpf (6.0 Lpf)
- Finish: Polished Chrome (CP)
- Valve: Diaphragm
- Bypass: Dual-Filtered Fixed Bypass Diaphragm (DFB)
- Valve Body Material: Semi-red Brass
- Fixture Type: Water Closet
- Fixture Connection: Top Spud
- Rough-In Dimension: 11 ½" (292mm)
- Spud Coupling: 1 ½" (38mm)
- Supply Pipe: 1" (25mm)

FEATURES

- High Chloramine Resistant PERMEX® Synthetic Rubber DFB Dual Filtered Bypass Diaphragm
- 1" I.P.S. Screwdriver Bak-Chek® Angle Stop with Vandal Resistant Stop Cap
- Vacuum Breaker with Flush Connection
- Spud Coupling and Spud Flange for 1½" Top Spud
- Sweat Solder Adapter with Cover Tube and Cast Wall Flange
- Non-Hold-Open Handle and No External Volume Adjustment to Ensure Water Conservation
- Diaphragm, Handle Packing and Vacuum Breaker Molded from PERMEX® Rubber Compound for Chloramine Resistance
- ADA Compliant Metal Oscillating Non-Hold-Open Handle



COMPLIANCES & CERTIFICATIONS



(UL Certified, ADA Compliant, cUPC Certified, BAA Compliant)

RECOMMENDED SPECIFICATION

Valve Body, Cover, Tailpiece and Control Stop shall be in conformance with ASTM Alloy Classification for Semi- Red Brass. Valve shall be in compliance with the applicable sections of ASSE 1037 and ANSI/ASME 112.19.2.

VALVE OPERATING PRESSURE (FLOWING)

15–80 PSI (103–552 kPa). Specific fixtures may require greater minimum flowing pressure - consult manufacturer requirements.

DOWNLOADS

- [Sloan Exposed Installation Instructions](#)
- [Sloan Exposed \(Spanish\) Installation Instructions](#)
- [Control Stop Repair and Maintenance Guide](#)
- [Flush Connections Flanges Repair and Maintenance Guide](#)
- [Tail Piece Repair and Maintenance Guide](#)
- [Sloan Flushometer Repair and Maintenance Guide](#)
- [Sloan/Regal ESS Repair and Maintenance Guide](#)
- [Flushometer Pressure gauges](#)
- [Additional Downloads](#)

NOTES

All information contained within this document subject to change without notice.

Looking for other variations of the SLOAN 111 product? [View the general spec sheet with all options.](#)

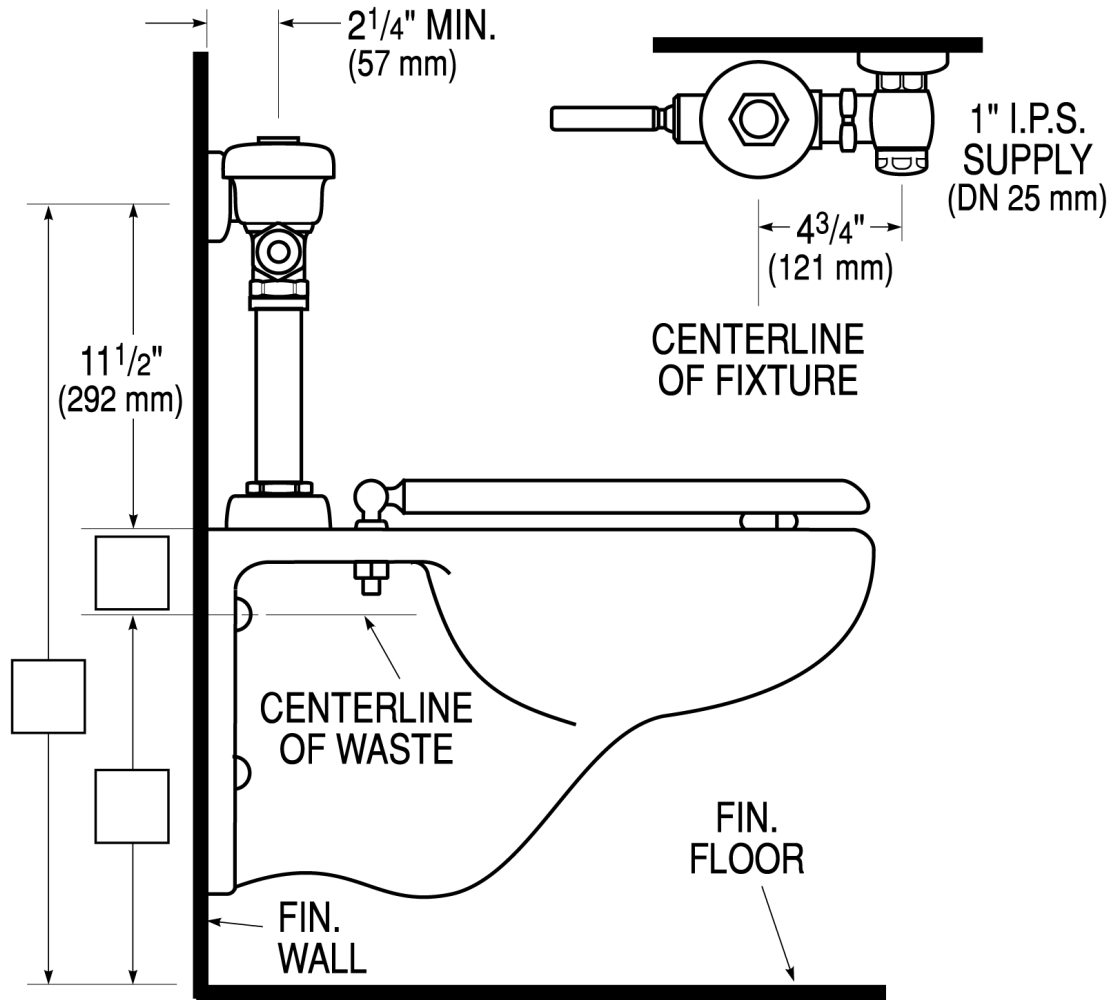
[Find a compatible urinal](#) for this flushometer.

[Find a compatible water closet](#) for this flushometer.

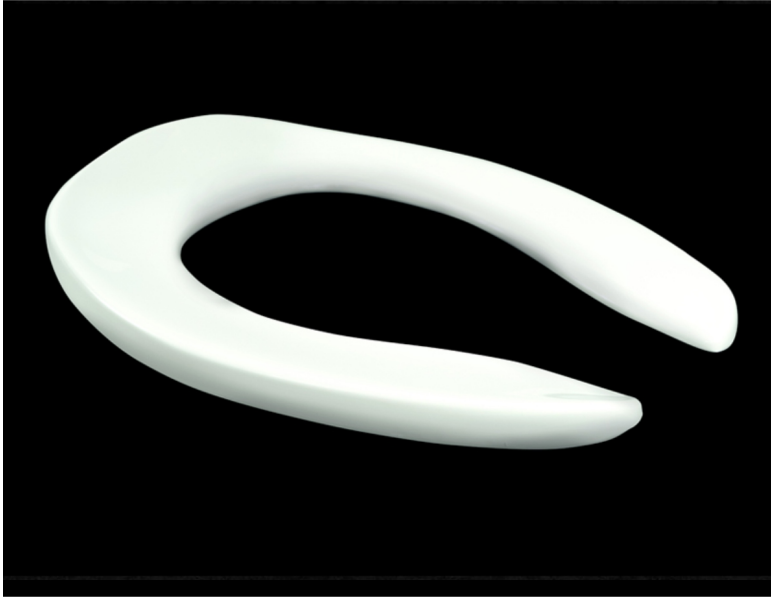
Sloan 10500 Seymour Ave, Franklin Park, IL 60131

Phone: 800.982.5839 • Fax: 800.447.8329 • sloan.com

ROUGH-IN



COMMERCIAL HEAVY DUTY



Product Specifications

| | |
|--------------------------|-----------------|
| Shape | Elongated |
| Seat Material | Polypropylene |
| Seat Form | Open front |
| Commercial Hinge | Yes |
| Bolt Material | Stainless steel |
| Hardware Material | Stainless Steel |
| Check Hinge | Yes |
| Cover | No |
| Custom Gasket | Yes |
| Color | White |

Warranty 1 year limited warranty

Available Colors

White, black, bone, biscuit,

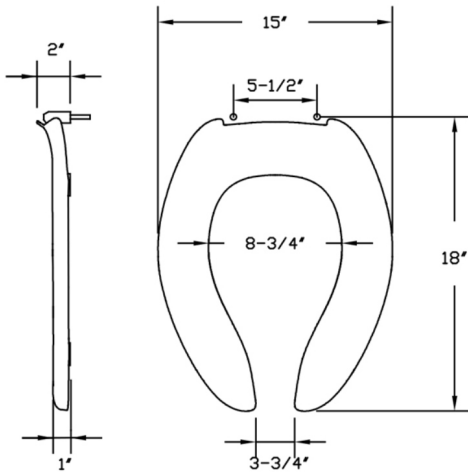
Features

Self Sustaining

Self Sustaining hinge holds commercial seats in place and avoids slamming.

Commercial Hinge

Includes commercial grade hinges. One piece solid metal hinge pin and bolt over molded with plastic.



Dimensions shown are nominal and may vary within a range of tolerance. Product specifications are subject to change without notice.

WC-2



KOHLER is not listed as approved manufacturer. Please confirm this manuf. is acceptable as this product meets/exceeds specs requirements.

Highcliff™ Ultra

Top spud flushometer bowl
K-96057

Features

- Elongated bowl offers added room and comfort
- 1-1/2" (38 mm) top spud
- 2-1/8" (54 mm) fully glazed trapway
- 10" x 7" (254 mm x 178 mm) water surface
- 1.0 gpf (3.8 lpf), 1.1 gpf (4.2 lpf), 1.28 (4.8 lpf), or 1.6 gpf (6.0 lpf) depending on flushometer specified
- Also available with antimicrobial finish K-96057-SS
- 10" or 12" (254 or 305 mm) rough-in
- Supports static load of 2,500 lbs

Material

- Vitreous china

Technology

- Designed to outperform competitors in bowl cleanliness and plug resistance
- Maximum waste removal
- Engineered for toilet seat cover removal
- Excellent bowl rinse
- Engineered to flush effectively in buildings with low supply pressure and flow
- Maximum drain line carry at all flush volumes per ASME standard

Installation

- Replaces Highcrest K-4302, Highcliff K-4368 and Highline K-4405. Height and footprint may vary

Included Components

Additional Components:
Bolt cap accessory pack
Spud



ADA **CSA B651** **OBC**

Codes/Standards

ASME A112.19.2/CSA B45.1
DOE - Energy Policy Act 1992
EPA WaterSense™
California Energy Commission (CEC)
ADA
ICC/ANSI A117.1
CSA B651
OBC

KOHLER® One-Year Limited Warranty

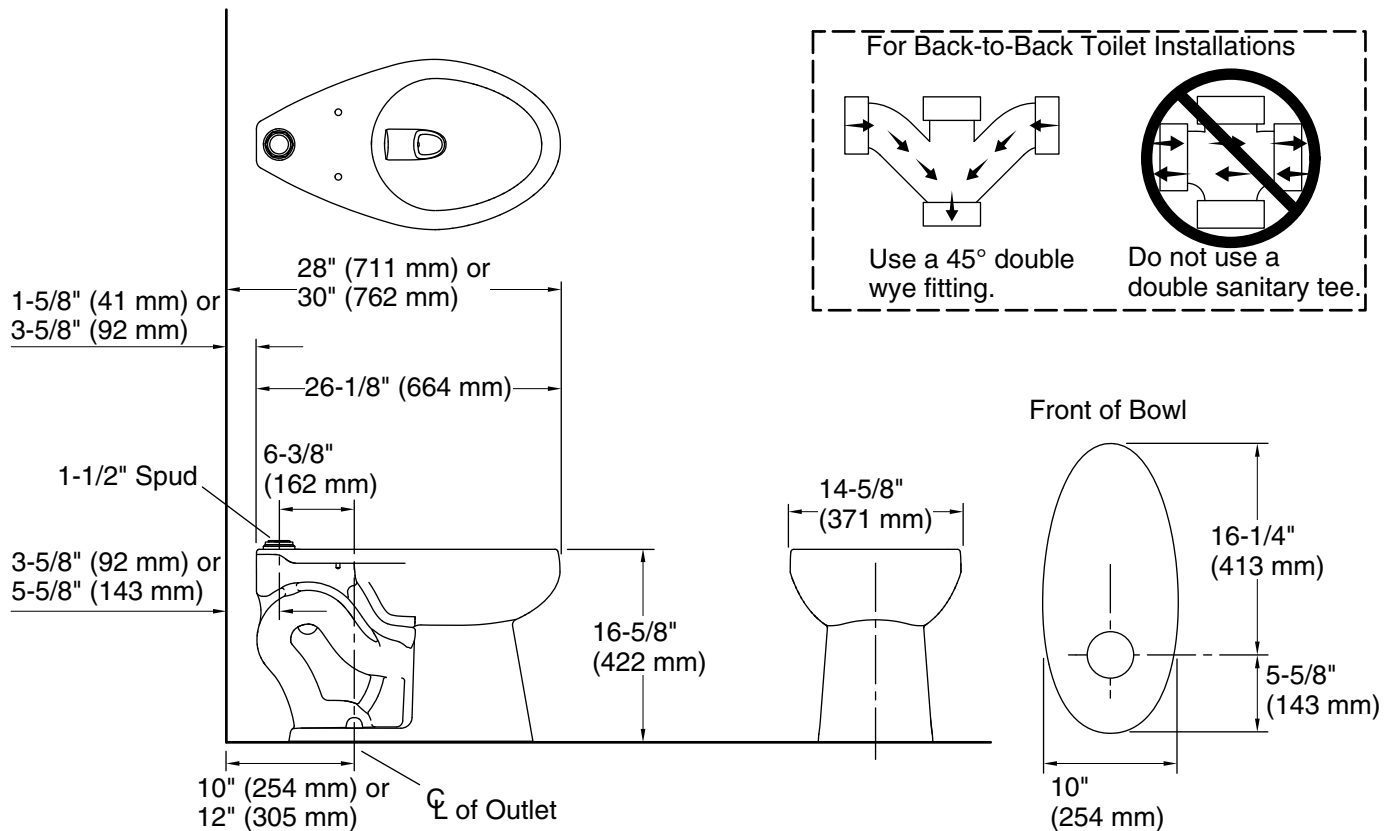
See website for detailed warranty information.

Available Colors/Finishes

Color tiles intended for reference only.

Color Code Description

| | | |
|--|----|--------------|
| | 0 | White |
| | 96 | Biscuit |
| | 7 | Black Black™ |



Technical Information

All product dimensions are nominal.

| | |
|-----------------------|----------------------------|
| Toilet type: | Floor-mount |
| Waste Outlet: | Floor |
| Bowl shape: | Elongated |
| Flush type: | Flushometer valve siphon |
| Spud size: | 1 1/2, Inlet, Top |
| Trap passageway: | 2-1/8" (54 mm) |
| Water surface size: | 10" x 7" (254 mm x 178 mm) |
| Rim to water surface: | 6" (152 mm) |
| Rough-in: | 12" (305 mm) |
| Seat-mounting holes: | 5-1/2" (140 mm) |

Fixture Supply Requirements

| | |
|-----------------------|--------------------|
| Min static pressure: | 35 psi (241.3 kPa) |
| Max static pressure: | 80 psi (551.6 kPa) |
| Min flowing pressure: | 25 psi (172.4 kPa) |

Notes

Install this product according to the installation instructions.

For back-to-back toilet installations: Use only a 45° double wye fitting.

ADA, OBC, CSA B651 compliant when installed to the specific requirements of these regulations.

Plumbing codes may require elongated toilets and elongated, open-front seats in public bathrooms.

Accessibility standards may require controls to be located on the open side of the toilet.

CODE NUMBER

3780010

DESCRIPTION

1.6 gpf, Dual-Filtered Fixed Bypass Diaphragm, Polished Chrome Finish, Fixture Connection Top Spud, Single Flush, Sloan® Exposed Manual Water Closet Flushometer.

DETAILS

- Flush Volume: 1.6 gpf (6.0 Lpf)
- Finish: Polished Chrome (CP)
- Valve: Diaphragm
- Bypass: Dual-Filtered Fixed Bypass Diaphragm (DFB)
- Valve Body Material: Semi-red Brass
- Fixture Type: Water Closet
- Fixture Connection: Top Spud
- Rough-In Dimension: 11 ½" (292mm)
- Spud Coupling: 1 ½" (38mm)
- Supply Pipe: 1" (25mm)

FEATURES

- High Chloramine Resistant PERMEX® Synthetic Rubber DFB Dual Filtered Bypass Diaphragm
- 1" I.P.S. Screwdriver Bak-Chek® Angle Stop with Vandal Resistant Stop Cap
- Vacuum Breaker with Flush Connection
- Spud Coupling and Spud Flange for 1½" Top Spud
- Sweat Solder Adapter with Cover Tube and Cast Wall Flange
- Non-Hold-Open Handle and No External Volume Adjustment to Ensure Water Conservation
- Diaphragm, Handle Packing and Vacuum Breaker Molded from PERMEX® Rubber Compound for Chloramine Resistance
- ADA Compliant Metal Oscillating Non-Hold-Open Handle



COMPLIANCES & CERTIFICATIONS



(UL Certified, ADA Compliant, cUPC Certified, BAA Compliant)

RECOMMENDED SPECIFICATION

Valve Body, Cover, Tailpiece and Control Stop shall be in conformance with ASTM Alloy Classification for Semi- Red Brass. Valve shall be in compliance with the applicable sections of ASSE 1037 and ANSI/ASME 112.19.2.

VALVE OPERATING PRESSURE (FLOWING)

15–80 PSI (103–552 kPa). Specific fixtures may require greater minimum flowing pressure - consult manufacturer requirements.

DOWNLOADS

- [Sloan Exposed Installation Instructions](#)
- [Sloan Exposed \(Spanish\) Installation Instructions](#)
- [Control Stop Repair and Maintenance Guide](#)
- [Flush Connections Flanges Repair and Maintenance Guide](#)
- [Tail Piece Repair and Maintenance Guide](#)
- [Sloan Flushometer Repair and Maintenance Guide](#)
- [Sloan/Regal ESS Repair and Maintenance Guide](#)
- [Flushometer Pressure gauges](#)
- [Additional Downloads](#)

NOTES

All information contained within this document subject to change without notice.

Looking for other variations of the SLOAN 111 product? [View the general spec sheet with all options.](#)

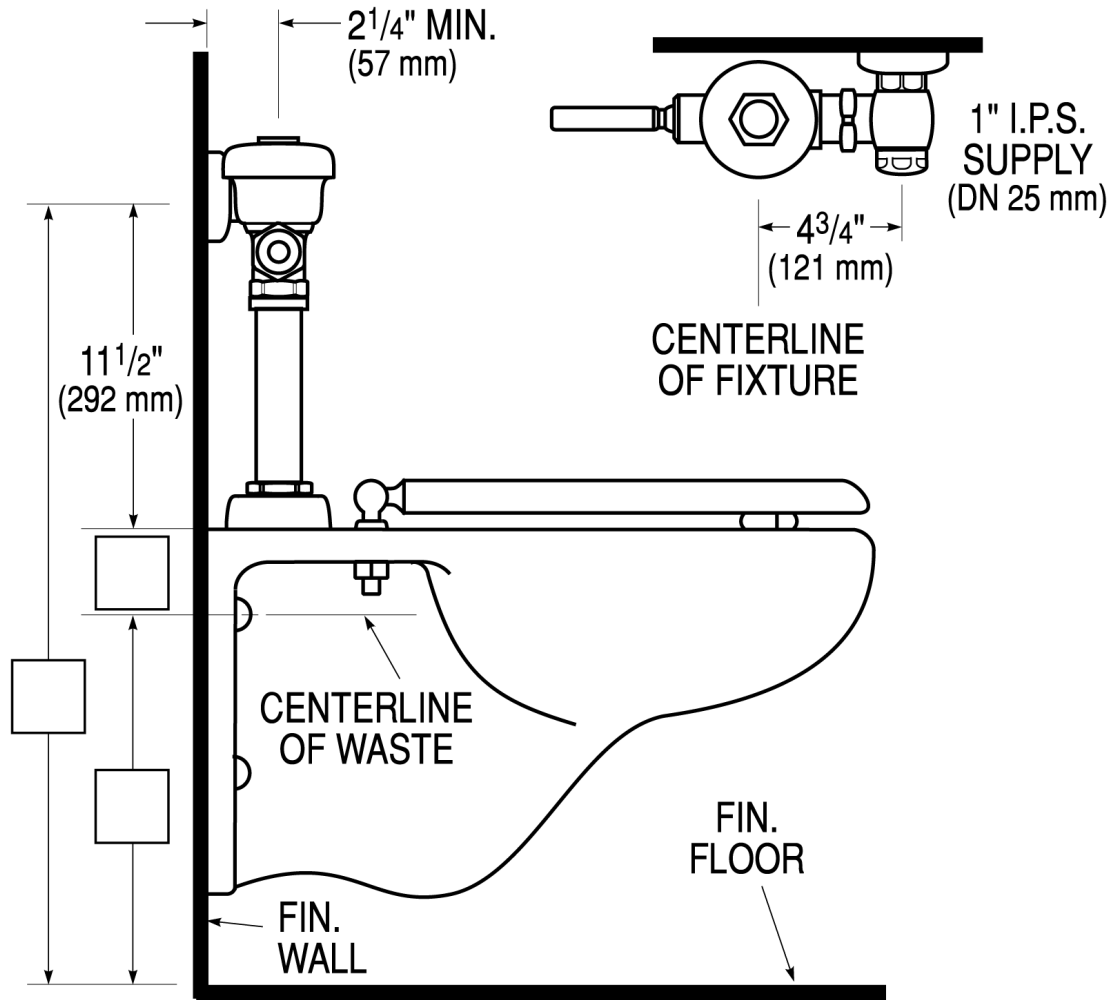
[Find a compatible urinal](#) for this flushometer.

[Find a compatible water closet](#) for this flushometer.

Sloan 10500 Seymour Ave, Franklin Park, IL 60131

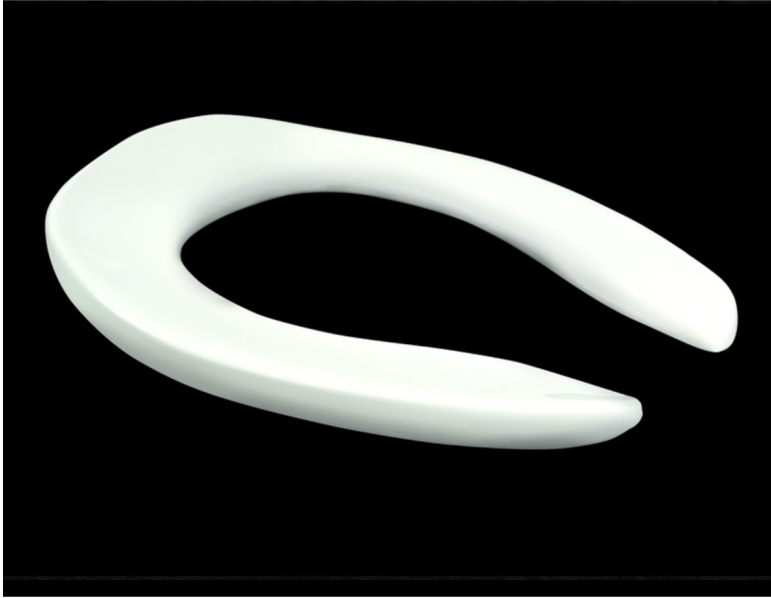
Phone: 800.982.5839 • Fax: 800.447.8329 • sloan.com

ROUGH-IN



Sloan 10500 Seymour Ave, Franklin Park, IL 60131
Phone: 800.982.5839 • Fax: 800.447.8329 • sloan.com

COMMERCIAL HEAVY DUTY



Product Specifications

| | |
|--------------------------|-----------------|
| Shape | Elongated |
| Seat Material | Polypropylene |
| Seat Form | Open front |
| Commercial Hinge | Yes |
| Bolt Material | Stainless steel |
| Hardware Material | Stainless Steel |
| Check Hinge | Yes |
| Cover | No |
| Custom Gasket | Yes |
| Color | White |

Warranty 1 year limited warranty

Available Colors

White, black, bone, biscuit,

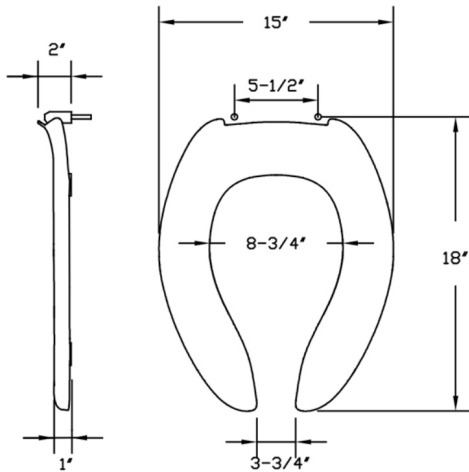
Features

Self Sustaining

Self Sustaining hinge holds commercial seats in place and avoids slamming.

Commercial Hinge

Includes commercial grade hinges. One piece solid metal hinge pin and bolt over molded with plastic.



Dimensions shown are nominal and may vary within a range of tolerance. Product specifications are subject to change without notice.

UR-1,2



Dexter™ Urinal K-5016-ET

KOHLER is not listed as approved manufacturer. Please confirm this manuf. is acceptable as this product meets/exceeds specs requirements.

Features

- Siphon jet
- 3/4" (19 mm) top spud
- 0.5 or 1.0 gpf (1.9 or 3.8 lpf) based on valve selected
- Siphon jet
- Includes inlet and outlet spuds and hangers
- Includes anti-backsplash wall
- 14-1/2" (368 mm) extended rim
- 0.5 or 1.0 gpf (1.9 or 3.8 lpf)

Material

- Vitreous china

Included Components

Additional Components:

- 2" outlet spud
- 3/4" inlet spud
- Hanger(s)



Codes/Standards

ASME A112.19.2/CSA B45.1
DOE - Energy Policy Act 1992
EPA WaterSense™
ADA
ICC/ANSI A117.1

KOHLER® One-Year Limited Warranty

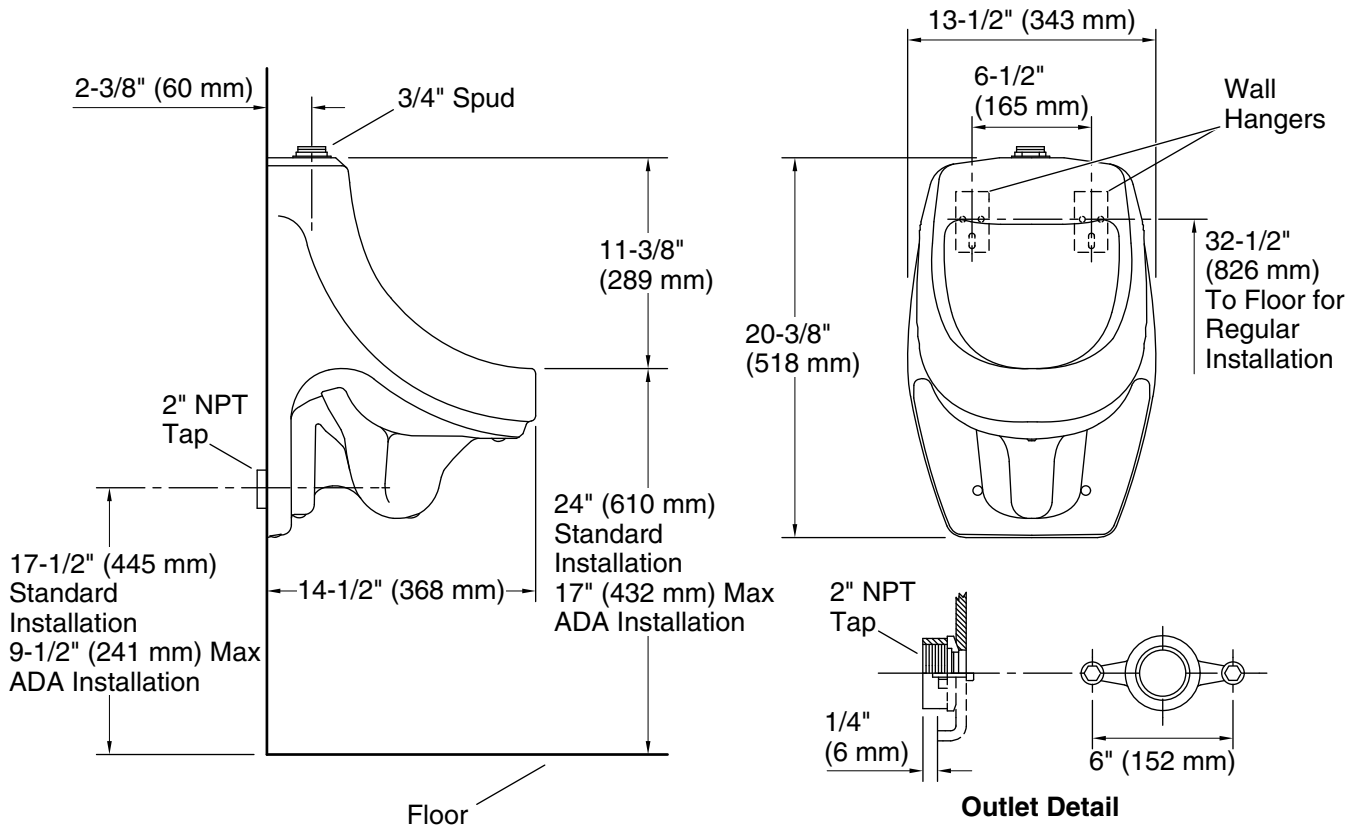
See website for detailed warranty information.

Available Colors/Finishes

Color tiles intended for reference only.

Color Code Description

| | | |
|--|----|--------------|
| | 0 | White |
| | 96 | Biscuit |
| | 7 | Black Black™ |



Technical Information

All product dimensions are nominal.

| | |
|--------------------------|------------------|
| Flush outlet technology: | Siphon jet |
| Spud size: | 3/4", Inlet, Top |
| Min. Water per Flush: | 0.5 gal (1.9 L) |
| Max. Water per Flush: | 1 gal (3.8 L) |

Designed for the above water use when installed with a water-saving flushometer.

Notes

Install this product according to the installation guide.

Refer to manufacturer's instructions and local codes for flushometer requirements.

Recommended ADA outlet spud height will account for normal product variation.

For ADA compliance, measurement must be 17" (432 mm) or less from the floor to the top of the lip.

ADA compliant when installed to the specific requirements of these regulations.

CODE NUMBER

3782645

DESCRIPTION

0.5 gpf, Dual-Filtered Fixed Bypass Diaphragm, Polished Chrome Finish, Fixture Connection Top Spud, Single Flush, Sloan® Exposed Manual Urinal Flushometer.

DETAILS

- Flush Volume: 0.5 gpf (1.9 Lpf)
- Finish: Polished Chrome (CP)
- Valve: Diaphragm
- Bypass: Dual-Filtered Fixed Bypass Diaphragm (DFB)
- Valve Body Material: Semi-red Brass
- Fixture Type: Urinal
- Fixture Connection: Top Spud
- Rough-In Dimension: 11 ½" (292mm)
- Spud Coupling: ¾" (19mm)
- Supply Pipe: ¾" (19mm)

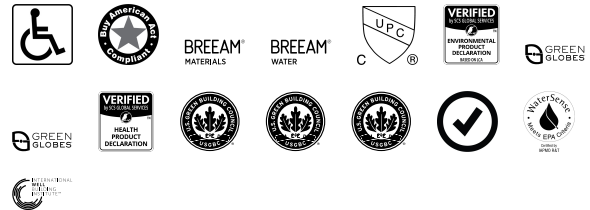
FEATURES

Quiet, Exposed, Diaphragm Type, Chrome Plated High Efficiency Urinal

- ¾" I.P.S. Screwdriver Bak-Chek® Angle Stop with Vandal Resistant Stop Cap
- Vacuum Breaker with Flush Connection
- Spud Coupling and Spud Flange for ¾" Top Spud
- Sweat Solder Adapter with Cover Tube and Cast Wall Flange
- Non-Hold-Open Handle and No External Volume Adjustment to Ensure Water Conservation
- High Efficiency flush accuracy
- Diaphragm, Handle Packing and Vacuum Breaker Molded from PERMEX® Rubber Compound for Chloramine Resistance
- ADA Compliant Metal Oscillating Non-Hold-Open Handle
- Dual Filtered Fixed Bypass Diaphragm



COMPLIANCES & CERTIFICATIONS



(ADA Compliant, BAA Compliant, BREEAM Materials Credit, BREEAM Water Credit, cUPC Certified, EPD, Green Globes Materials & Resources Credit, Green Globes Water Credit, HPD, LEED Materials & Resources EPD Credit, LEED Materials & Resources HPD Credit, LEED V4 Water Efficiency Credit, Satisfies LEED Credits, WaterSense Listed, WELL Building Standard)

RECOMMENDED SPECIFICATION

Valve Body, Cover, Tailpiece and Control Stop shall be in conformance with ASTM Alloy Classification for Semi- Red Brass. Valve shall be in compliance with the applicable sections of ASSE 1037 and ANSI/ASME 112.19.2.

VALVE OPERATING PRESSURE (FLOWING)

15–80 PSI (103–552 kPa). Specific fixtures may require greater minimum flowing pressure - consult manufacturer requirements.

DOWNLOADS

- [Sloan Exposed Installation Instructions](#)
- [Sloan Exposed \(Spanish\) Installation Instructions](#)
- [Control Stop Repair and Maintenance Guide](#)
- [Flush Connections Flanges Repair and Maintenance Guide](#)
- [Tail Piece Repair and Maintenance Guide](#)
- [Sloan Flushometer Repair and Maintenance Guide](#)
- [Flushometer Pressure gauges](#)
- [Additional Downloads](#)

NOTES

All information contained within this document subject to change without notice.

Looking for other variations of the SLOAN 186 product? [View](#)

Sloan 10500 Seymour Ave, Franklin Park, IL 60131

Phone: 800.982.5839 • Fax: 800.447.8329 • sloan.com

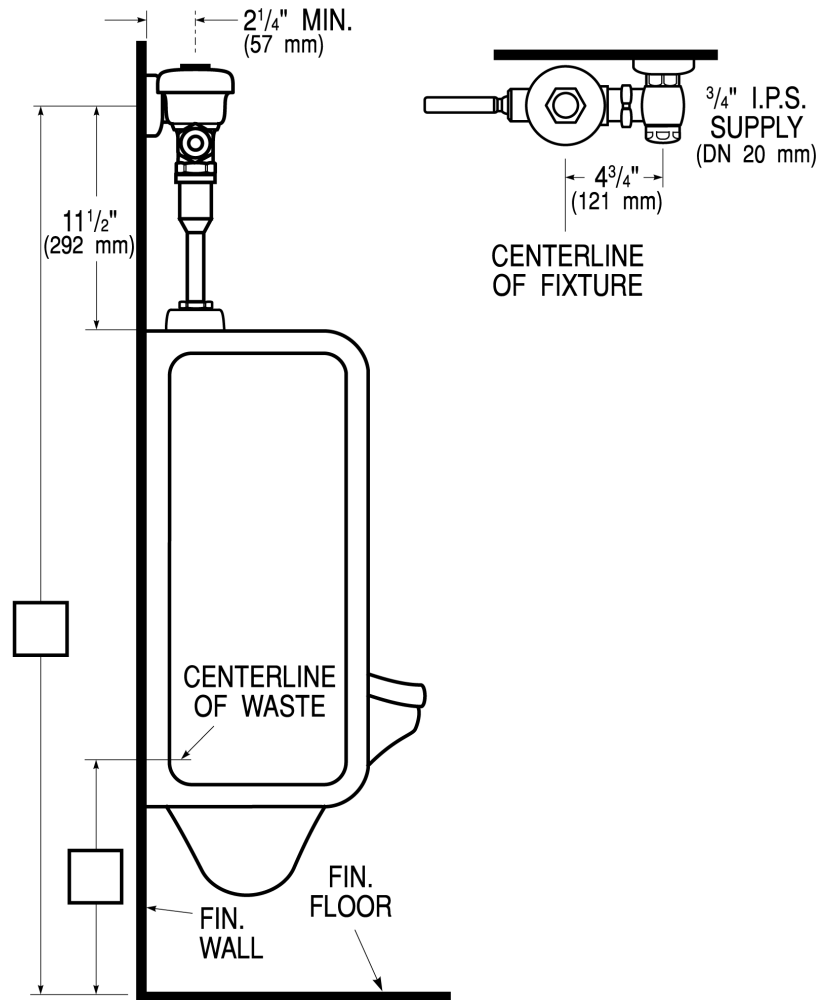
the general spec sheet with all options.

Find a compatible urinal for this flushometer.

Find a compatible water closet for this flushometer.

WaterSense compliant when used with a WaterSense compliant fixture

ROUGH-IN



Sloan 10500 Seymour Ave, Franklin Park, IL 60131
Phone: 800.982.5839 • Fax: 800.447.8329 • sloan.com

CARRIER

M



JAY R. SMITH MFG. CO.®
 MEMBER OF MORRIS GROUP INTERNATIONAL
 POST OFFICE BOX 3237
 MONTGOMERY, ALABAMA 36109-0237 (USA)
 TEL: 334-277-8520 FAX: 334-272-7396 www.jrsmith.com



MEMBER OF:

LOCATION

DRAWING NUMBER
S0634SIZE
ASCALE:
NONEDATE:
1-23-73

APPROVED BY:

CHECKED BY:
RPDRAWN BY:
JH

0634

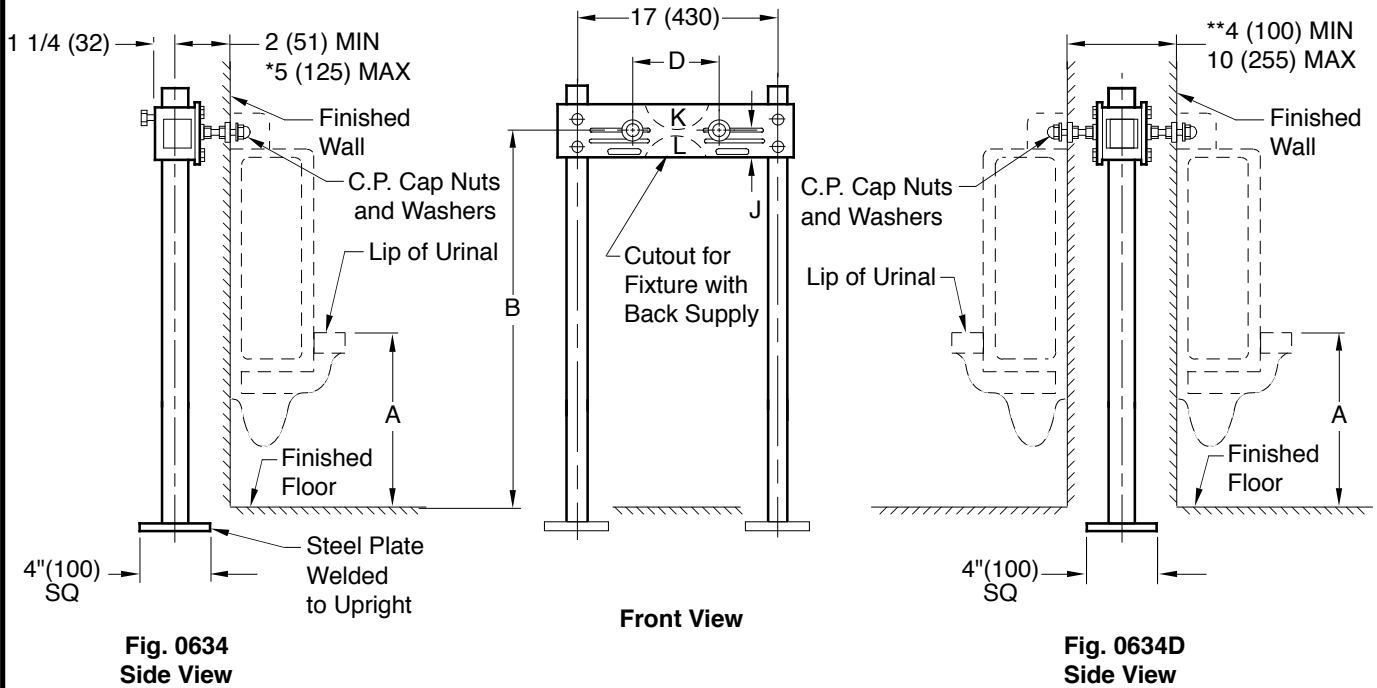
FIGURE
NUMBER

WE CAN ASSUME NO RESPONSIBILITY FOR USE OF SUPERSEDED OR VOID DATA

DIMENSIONS ARE SUBJECT TO MANUFACTURERS TOLERANCE AND CHANGE WITHOUT NOTICE

URINAL SUPPORTS FOR OFF-THE-FLOOR URINALS

WITH SUPPORTING STUDS FOR BLOWOUT AND WASHOUT URINALS



ROUGH-IN TABLE

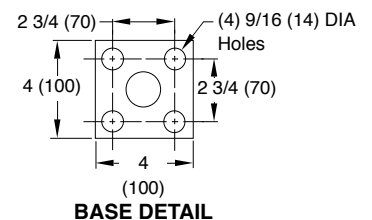
| FIXTURE MFG. | NAME | NUMBER | A | B | D | J | Cutout for (Inlet) | |
|--------------|-----------|-----------|----------|---------------|-------------|------------|--------------------|---|
| | | | | | | | K | L |
| Am. Std. | Allbrook | 6545.016 | 24 (610) | 36 1/8 (918) | 5 (125) | 2 (51) | - | X |
| Briggs | Rushton | B-6940, 1 | 24 (610) | 28 (710) | 7 (180) | 3 (76) | X | - |
| Case | Casco | 2325, 6 | 22 (560) | 42 (1065) | 6 (150) | 1 (25) | - | X |
| Crane | Expedio | 7-101, 3 | 22 (560) | 26 1/2 (675) | 5 (125) | 3 1/2 (89) | X | - |
| Crane | Expedio | 7-104 | 22 (560) | 26 1/2 (675) | 7 (180) | 2 (51) | - | - |
| Crane | Manhattan | 7-105, 8 | 22 (560) | 34 1/4 (870) | 5 (125) | 2 (51) | - | - |
| Crane | Santo | 7-111, 2 | 22 (560) | 34 1/4 (870) | 5 (125) | 2 (51) | - | - |
| U. Rundle | Colby | 4981 | 22 (560) | 33 1/4 (845) | 5 1/2 (140) | 2 (51) | - | - |
| U. Rundle | Celtic | 4989, 92 | 22 (560) | 42 1/2 (1080) | 7 (180) | 1 (25) | - | X |
| U. Rundle | Colburn | 4990 | 22 (560) | 33 1/2 (850) | 4 1/4 (110) | 2 (51) | - | - |
| U. Rundle | Challenge | 4993, 4 | 22 (560) | 42 3/4 (1085) | 7 (180) | 1 (25) | - | X |

NOTE: All support bases must be securely anchored to a rigid floor and/or other rigid substructure with (4) 1/2" bolts furnished by others.

NOTE: *This dimension can be increased when fixture support is to be installed behind the wall (specify when required and wall thickness).

**This dimension can be increased when required (specify wall thickness).

NOTE: Dimensions shown in parentheses are in millimeters.



| | | | | | | | |
|------|----------|-----------------------|-----|---------|--------|------------|---------------|
| M | 2-24-12 | Rev. Dim., Base Plate | TBW | TWK | WEIGHT | VOLUME | FIGURE NUMBER |
| L | 01/20/11 | Updated Logo | JJ | TW | POUNDS | CUBIC FEET | 0634 |
| K | 04/22/09 | Added Note | JJ | AM | | | |
| J | 01/11/00 | Revised Base Plate | JJ | BS | | | |
| REV. | DATE | DESCRIPTION | BY | CKD. BY | | | |



WARNING: Cancer and Reproductive Harm - www.P65Warnings.ca.gov

LV-1

KOHLER®

KOHLER is not listed as approved manufacturer. Please confirm this manuf. is acceptable as this product meets/exceeds specs requirements.

Kingston™
Wall-Mount Bathroom Sink
K-2005

Features

- Made from premium materials that withstand high-volume usage
- 21-1/4" (540 mm) x 18-1/8" (460 mm)
- Faucet sold separately
- Includes wall hanger

Material

- Vitreous china

Installation

- Wall-mount
- Drilled for concealed arm carrier installation

Included Components

Additional Components:
Hanger(s)



ADA

CSA B651

Codes/Standards

ASME A112.19.2/CSA B45.1
ADA
ICC/ANSI A117.1
CSA B651




KOHLER® One-Year Limited Warranty

See website for detailed warranty information.

Available Colors/Finishes

Color tiles intended for reference only.

Color Code Description

| | | |
|---|----|--------------|
|  | 0 | White |
|  | 96 | Biscuit |
|  | 7 | Black Black™ |

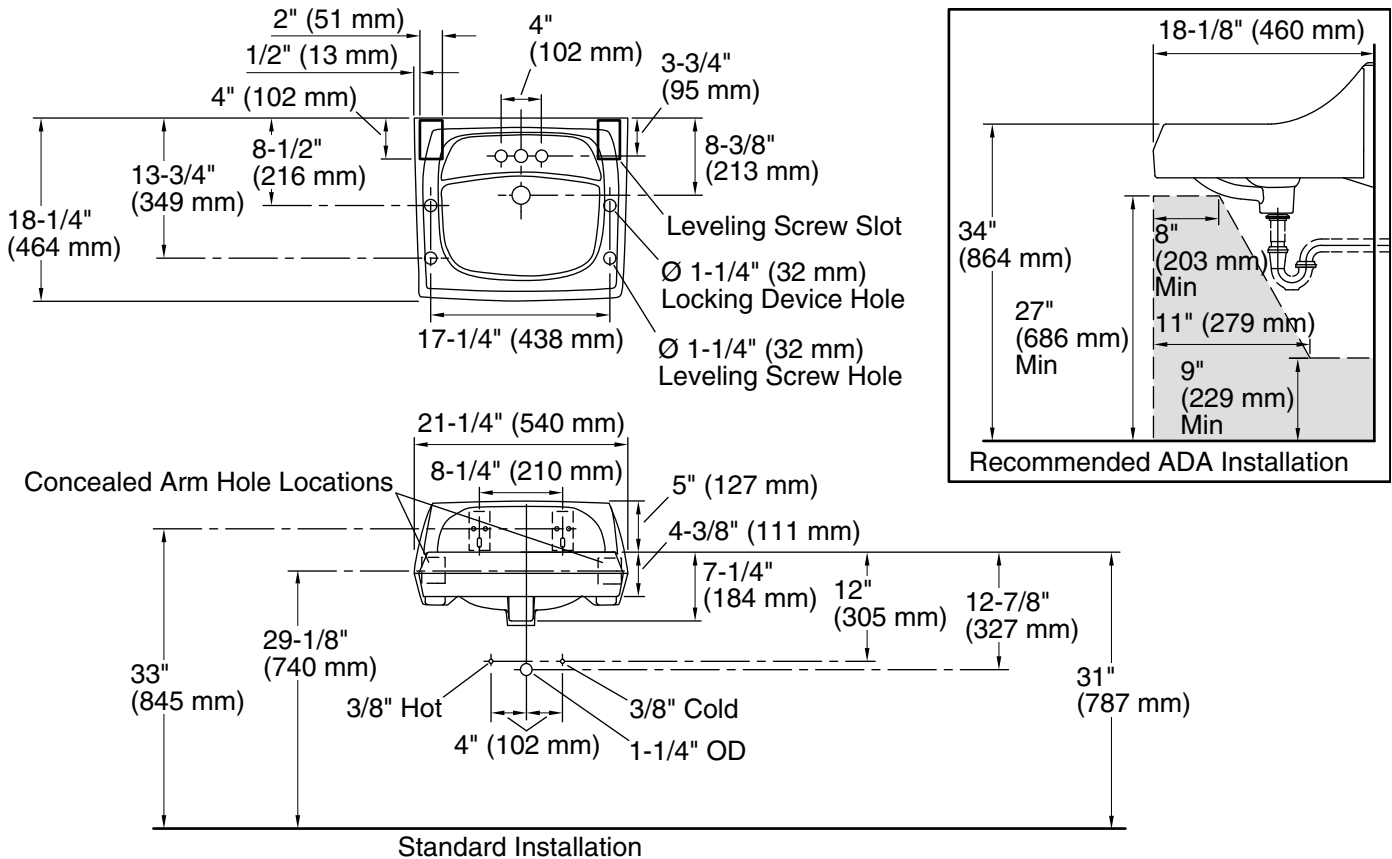
1-800-4KOHLER (1-800-456-4537)

Kohler Co. reserves the right to make revisions without notice to product specifications.

For the most current Specification Sheet, go to www.kohler.com.

4-3-2023 21:31 - US/CA

THE BOLD LOOK
OF **KOHLER®**



Technical Information

All product dimensions are nominal.

| | |
|-----------------------|--|
| Bowl configuration: | Single |
| Installation: | Wall-mount |
| Center(s): | 4 |
| Bowl area (Only): | Length: 16" (406 mm) Width: 10" (254 mm) With overflow: Yes Water depth: 3-1/8" (79 mm) |
| With overflow: | Yes |
| Number of deck holes: | 3 |
| Faucet hole spacing: | 4" (102 mm) |
| Soap/Lotion hole: | 1-1/4" (32 mm) |
| Drain hole: | 1-3/4" (44 mm) |

Notes

Install this product according to the installation instructions.

ADA, CSA B651 compliant when installed to the specific requirements of these regulations.

Manual Sink Faucets

420-T41E2805ABCP

Product Type

Deck-mounted manual faucet with built-in ASSE 1070 compliant scald protection

Features & Specifications

- 4" fixed centers
- Vandal Proof Pressure compensating Econo-Flo™ non-aerating laminar spray 0.5 GPM
- Vandal Proof 4-1/4" lever handle
- Ceramic cartridge with built-in check valve and thermostatic element
- ECAST® design provides durable cast brass construction with total lead content equal to or less than 0.25% by weighted average
- CFNow! Item Ships in 3 Days






Performance Specification

- Rated Operating Pressure: 20-125 PSI
- Rated Operating Temperature: Hot inlet temperature: 100°F-180°F (38°C-82°C). Maximum output temperature: 105°F (41°C) ±1°. Minimum approved flow rate for temp limiting: 0.5 GPM. Maximum Emergency Temperature Out at Cold Water Failure: 120°F (49°C)

Warranty

- 1-Year Limited Cartridge Warranty
- 5-Year Limited Faucet Warranty
- 1-Year Limited Finish Warranty

Codes & Standards

-  ASME A112.18.1/CSA B125.1
-  ADA ANSI/ICC A117.1
-  Certified per ASSE 1070 / ASME A112.1070 / CSA B125.70
-  NSF/ANSI 372 Low Lead Content
-  NSF/ANSI 61, Section 9

Job Name _____

Item Number _____

Section/Tag _____

Model Specified _____

Architect _____

Engineer _____

Contractor _____

Submitted as Shown Submitted with Variations

Date _____



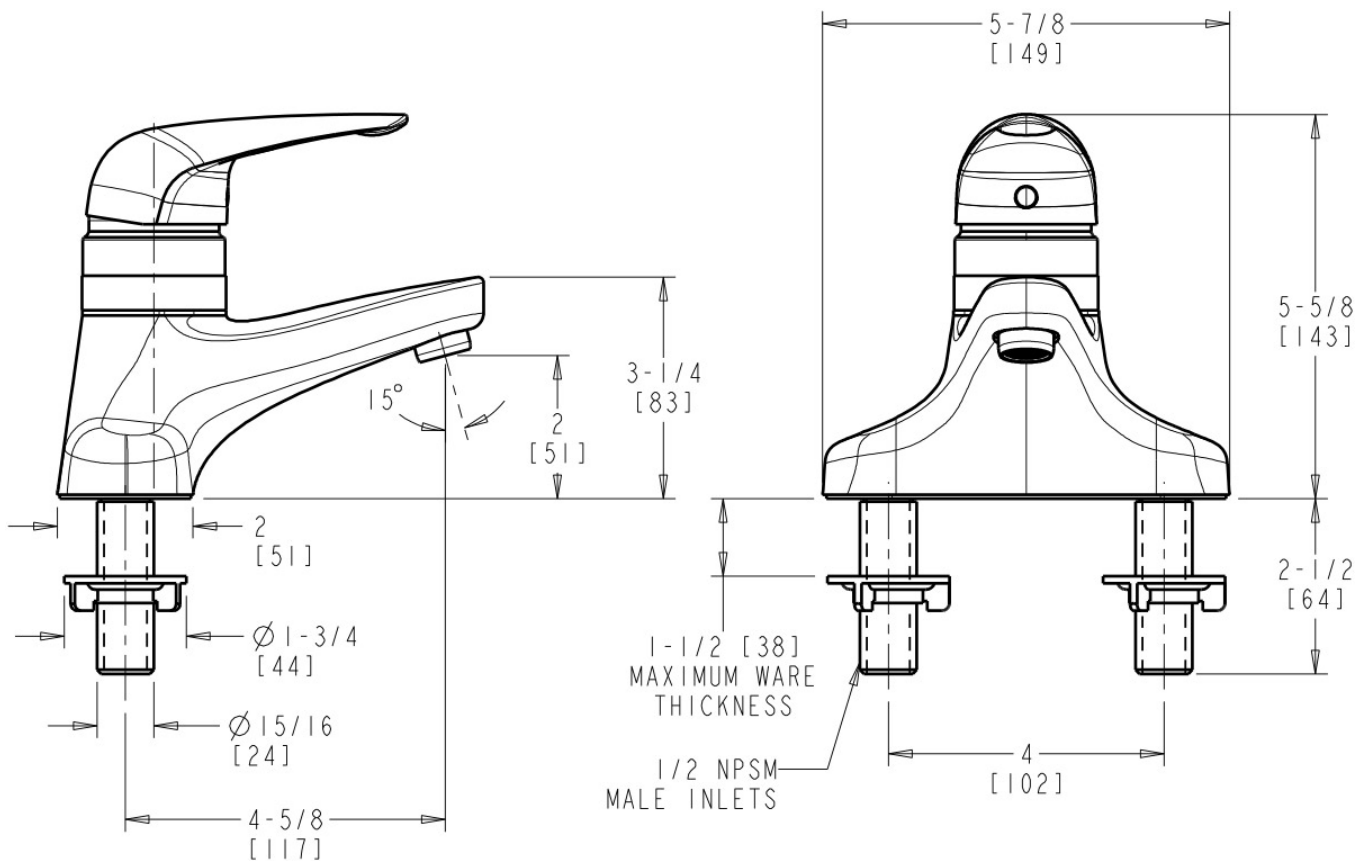
ECAST

ECAST products are intended for installation where state laws and local codes mandate lead content levels or in any location where lead content is a concern.

2100 South Clearwater Drive
Des Plaines, IL
P: 847/803-5000
F: 847/803-5454
Technical: 800/TEC-TRUE
www.chicagofaucets.com

Architect/Engineer Specification

Chicago Faucets No. 420-T41E2805ABCP, Sink Faucet for hot and cold water, single lever, deck-mounted with 4" fixed centers, chrome plated. Rigid, cast brass spout, 4-5/8" center-to-center. 0.5 GPM (1.9 L/min) vandal-proof, pressure compensating, non-aerating, laminar spray outlet. Ceramic mixing cartridge, includes thermostatic scald protection. Cartridge includes Integral inlet check valves to protect against cross-flow, 1/2" NPSM supply inlets for 3/8" or 1/2" flexible riser. ECAST® construction with less than 0.25% lead content by weighted average. This product meets ADA ANSI/ICC A117.1 requirements and is tested and certified to industry standards: ASME A112.18.1/CSA B125.1, ASSE 1070/ASME A112.1070/CSA B125.70, Certified to NSF/ANSI 61, Section 9, California Health and Safety Code 116875 (AB1953-2006), Vermont Bill S.152, and NSF/ANSI 372 Low Lead Content.



Operation and Maintenance

Installation should be in accordance with local plumbing codes. Flush all pipes thoroughly before installation. After installation, remove spout outlet or flow control and flush faucet thoroughly to clear any debris. Care should be taken when cleaning the product. Do not use abrasive cleaners, chemicals or solvents as they can result in surface damage. Use mild soap and warm water for cleaning and protecting the life of Chicago Faucet products. For specific operation and maintenance refer to the installation instructions and repair parts documents that are located at www.chicagofaucets.com.

Chicago Faucets, member of the Geberit Group, is the leading brand of commercial faucets and fittings in the United States, offering a complete range of products for schools, laboratories, hospitals, office buildings, food service, airports and sport facilities. Call 1.800.TECTRUE or 1.847.803.5000 Option 1 for installation or other technical assistance.



2100 South Clearwater Drive
Des Plaines, IL
P: 847/803-5000
F: 847/803-5454
Technical: 800/TEC-TRUE
www.chicagofaucets.com



McGuire Manufacturing Co., Inc.

60 Grandview Court
Cheshire, Connecticut 06410
(203) 699-1801 Fax (203) 699-1813
customerservice@mcguiremfg.com mcguiremfg.com

PRODUCT SPECIFICATION

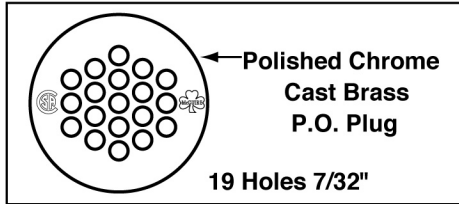
Part No.

155WC

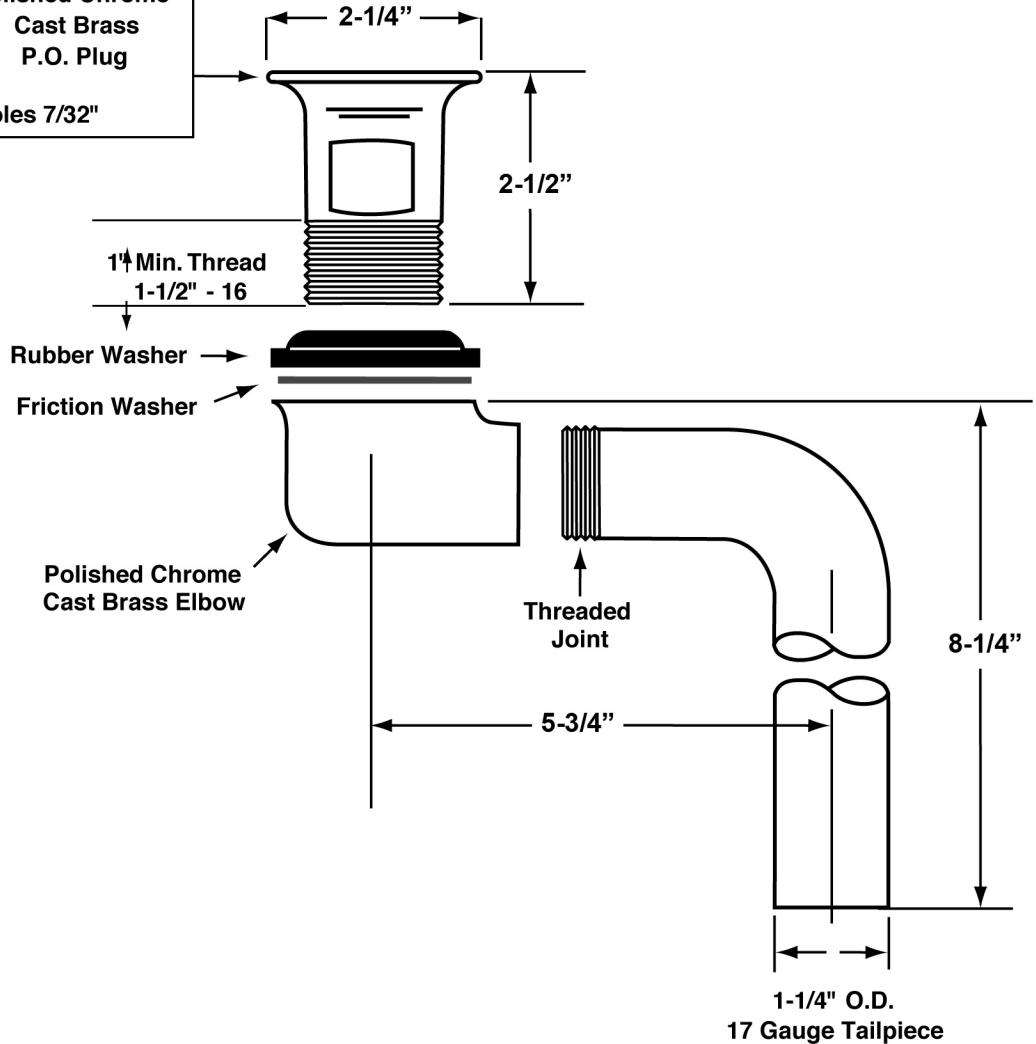
Offset Lavatory Grid Strainer

Job Name:

Submittal Number:



Polished Chrome
Cast Brass
P.O. Plug
19 Holes 7/32"



- Rated Operating Temperature: 40-140°F
- Note: 180°F max. during temporary high-temperature system flush

A.D.A.



ASME A112.18.2/CSA B125.2

Specifications:

Cast brass chrome plated offset wheelchair strainer with polished chrome cast brass elbow, 17GA 1-1/4" seamless brass offset tailpiece, rubber basin washer and fiber friction washer. Offset lavatory strainer shall be in compliance with CSA or other recognized testing authority and bear both manufacturer and testing mark.



WARNING:

This product can expose you to chemicals including lead, which is known to the State of California to cause cancer, and birth defects or other reproductive harm. For more information go to www.P65Warnings.ca.gov.



McGuire Manufacturing Co., Inc.

60 Grandview Court
 Cheshire, Connecticut 06410
 (203) 699-1801 Fax (203) 699-1813
 customerservice@mcguiremfg.com mcguiremfg.com

PRODUCT SPECIFICATION

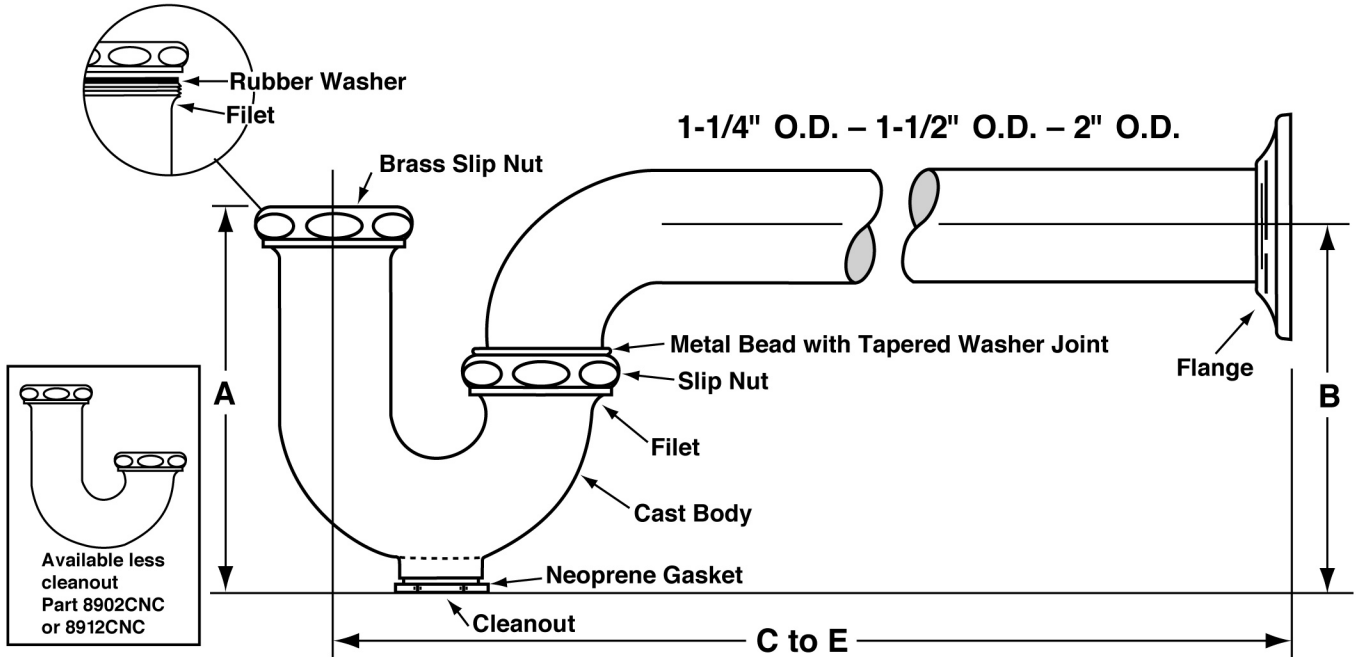
Part No.

8872C

**Cast Body P-Trap
 With or Without Cleanout**

Job Name:

Submittal Number:



PROFESSIONAL LINE

ROUGHING MEASUREMENTS

| NO. | TRAP DIMENSIONS | | A | B | C to E |
|-------|-----------------|--------|--------|--------|---------|
| | INLET | OUTLET | | | |
| 8872C | 1-1/4" | 1-1/4" | 4-1/2" | 4-1/4" | 11-1/2" |

- Rated Operating Temperature: 40-140°F
- Note: 180°F max. during temporary high-temperature system flush

**FED SPEC W.W.P. 541
 CAST BRASS P TRAP
 MINIMUM SEAL 2"**



See options and accessories section for details on product variations.

ASME A112.18.2/CSA B125-2

Specifications:

P-Trap shall be chrome plated cast brass body (with, without) cleanout, with 17 gauge seamless tubular wall bend, cast brass slip nuts. Reducing washers shall be used with reducing cast brass nut. With (shallow, deep, bell) (steel, brass) or (forged brass with set screw) flange.

P-Trap shall be McGuire "Classic" Professional Line

Trap shall be certified by CSA or other recognized testing authority. Trap shall bear manufacturer and testing marks.

! WARNING:

This product can expose you to chemicals including lead, which is known to the State of California to cause cancer, and birth defects or other reproductive harm. For more information go to www.P65Warnings.ca.gov.



McGuire Manufacturing Co., Inc.

60 Grandview Court
 Cheshire, Connecticut 06410
 (203) 699-1801 Fax (203) 699-1813
 customerservice@mcguiremfg.com mcguiremfg.com

PRODUCT SPECIFICATION

Part No.

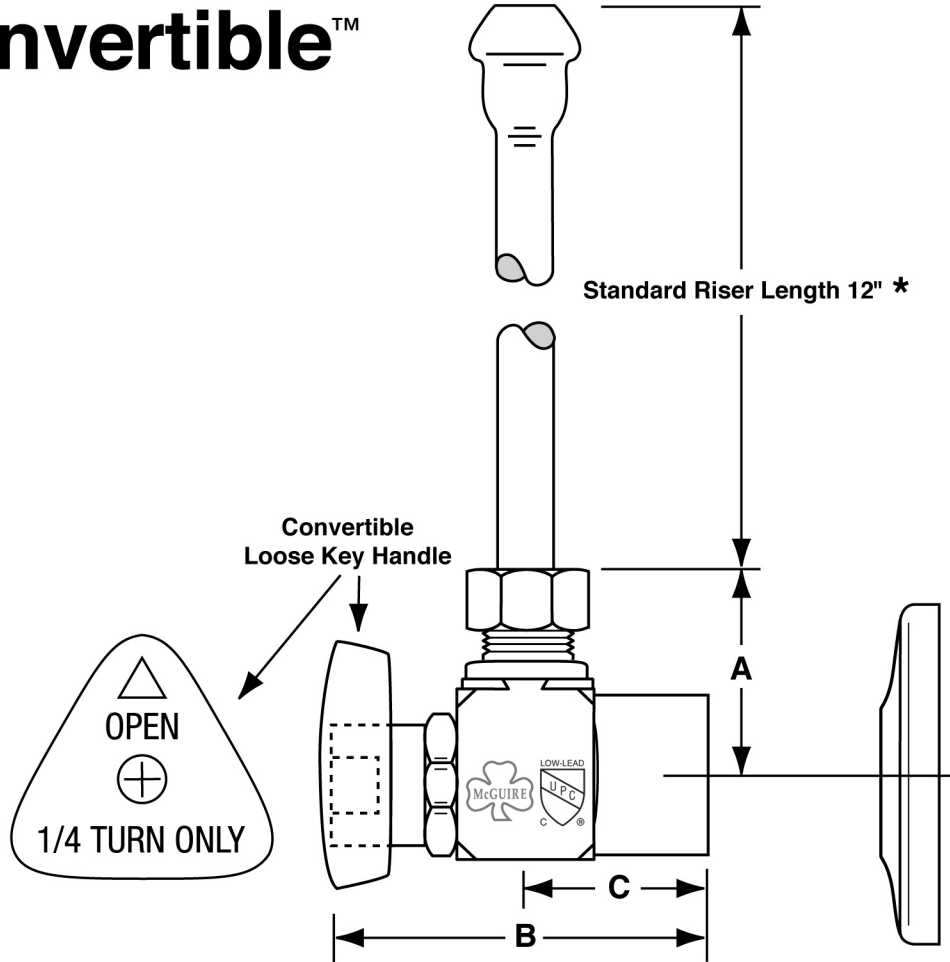
LFBV2165

**Quarter-Turn Brass
 Ball Valve Lavatory Supply**

Job Name:

Submittal Number:

Convertible™



| NO. | DESCRIPTION | ROUGHING MEASUREMENTS | | |
|----------|-------------------------|-----------------------|---------|----|
| | | A | B | C |
| LFBV2165 | 1/2" I.P.S. x 3/8" O.D. | 1-3/16" | 2-3/16" | 1" |

* See options and accessories section for details on product variations.



Specifications:

Supply kits shall include lead free chrome plated, commercial pattern Quarter-Turn Brass Ball Valve with convertible loose key handle, (chrome plated copper or braided stainless risers) and (shallow, deep, bell) (steel or brass) or (forged brass with set screw) flange. Inlet shall be (1/2) inch (IPS, sweat, compression). Outlet shall be (3/8) inch (compression). Supply kit shall be McGuire _____ . Supply kit shall be certified by recognized authority and bear manufacturer and testing mark.



WARNING:

This product can expose you to chemicals including lead, which is known to the State of California to cause cancer, and birth defects or other reproductive harm. For more information go to www.P65Warnings.ca.gov.

ADA-compliant undersink protection

Submittal Sheet

General Description:

LAV GUARD® 2E-Z Series waste and supply piping covers satisfy ADA compliance requirements. Built-in E-Z Grip internal fasteners and internal, E-Z Tear-To-Fit trimming feature allow for fast installation without tools. Series #100 E-Z kits are designed to fit on all tubular and cast brass P-trap assemblies. Series #400 kits are the "original" LAV GUARD design and fit schedule 40 ABS and PVC P-trap assemblies — regardless of their geometry or rotational offset. Valve cover completely encloses angle valve and supply tube for both handled and keyed type water stops.

| | |
|------------------------------------|---|
| Material | Molded vinyl |
| Nominal Wall | 1/8" constant |
| Durometer | 70 - 80 - Shore A |
| UV Protection | Will not fade or discolor |
| Durability | Virtually indestructible |
| Trimming (E-Z Series) | Internal, E-Z Tear-To-Fit trim feature |
| Fasteners (E-Z Series) | Internal E-Z Grip fasteners (reusable) |
| Color | China white |
| Paintability | Apply Latex paint |
| Burning Characteristics ASTM D-635 | Self extinguished 0 sec (ATB) 0 mm (AEB) |
| Bacteria/Fungus Resistance | ASTM G21 and G22/ Result: 0 growth |
| Maintenance | Use common detergents |

Antimicrobial Vinyl Minimizes Maintenance

Lav Guard 2 is molded from impact-resistant, stain-resistant, antimicrobial vinyl. Its smooth surface makes it exceptionally easy to clean and maintain.

Manufactured under one or more of the following U.S. or Canadian patents. Other patents pending.

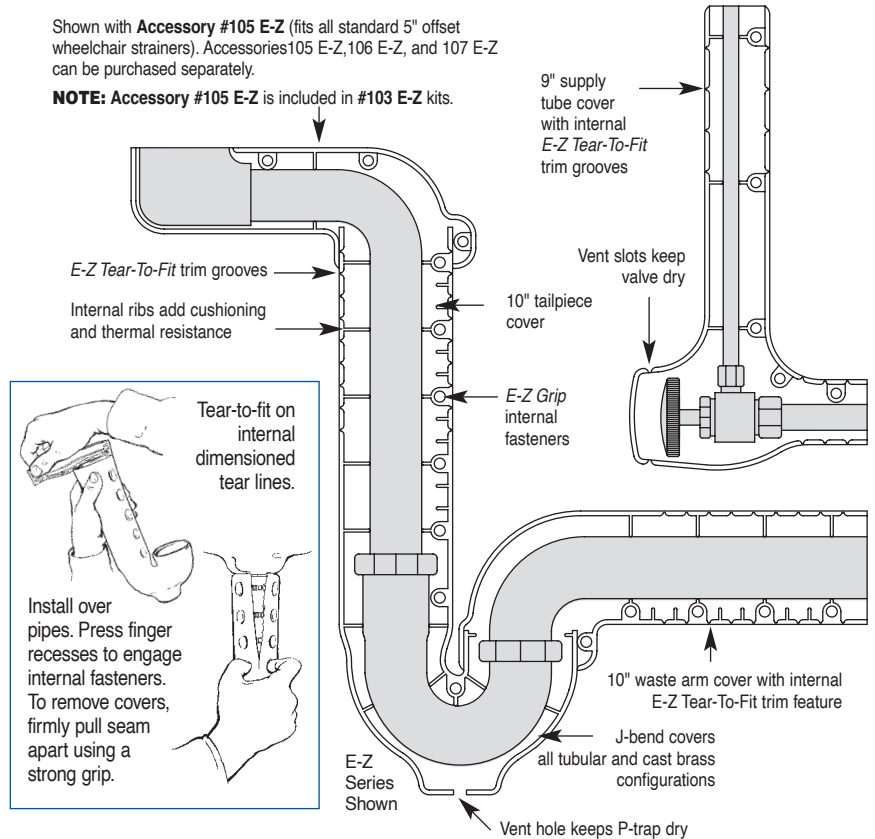
5,303,730 5,360,031 5,524,669 5,564,463 5,678,598 5,699,828 5,915,412
5,915,413 5,901,739 5,960,820 2,075,324 2,119,427 2,136,027 2,158,083



500 Distribution Parkway, Collierville, TN 38017 ▪ Phone: 800-888-8312 ▪ Fax: 901-853-5008 ▪ www.ipscorp.com

Shown with **Accessory #105 E-Z** (fits all standard 5" offset wheelchair strainers). Accessories 105 E-Z, 106 E-Z, and 107 E-Z can be purchased separately.

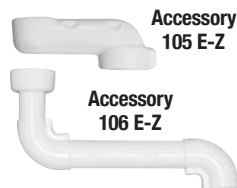
NOTE: Accessory #105 E-Z is included in #103 E-Z kits.



#100 E-Z Series (shown above right) for tubular and cast brass P-trap assemblies.

#400W* Series (original design) for schedule 40 P-trap assemblies.

| | | |
|---|---|--|
| <input type="checkbox"/> Model #99 E-Z One angle valve and supply cover | <input checked="" type="checkbox"/> Model #102 E-Z One P-trap cover, two angle valves and covers | <input type="checkbox"/> Accessory #105-K Kohler 6" offset |
| <input type="checkbox"/> Model #100 E-Z One P-trap cover | <input type="checkbox"/> Model #402W* One P-trap cover, two angle valves and covers | <input type="checkbox"/> Accessory #106 E-Z One basket strainer cover and offset waste cover (adjustable to 18") |
| <input type="checkbox"/> Model #400W* One P-trap cover | <input type="checkbox"/> Model #103 E-Z One P-trap cover, two angle valves and supply covers, one 5" offset tailpiece wheelchair strainer cover | <input type="checkbox"/> Accessory #107 E-Z Two basket strainer covers and center or end outlet waste cover (adjustable) |
| <input type="checkbox"/> Model #101 E-Z One P-trap cover, one angle valve cover | <input checked="" type="checkbox"/> Accessory #105 E-Z One 5" offset tailpiece wheelchair strainer assembly | <input type="checkbox"/> Accessory #Ex99 E-Z One 14" extension for water supply |
| <input type="checkbox"/> Model #401W* One P-trap cover, one angle valve cover | <p>*All #400W series items are the "original" LAV GUARD® design and construction. Specifications may change without notice.</p> | |



LAVATORY SUPPORTS WITH CONCEALED ARMS

FLOOR MOUNTED WITH "PRO-SET" UPRIGHTS

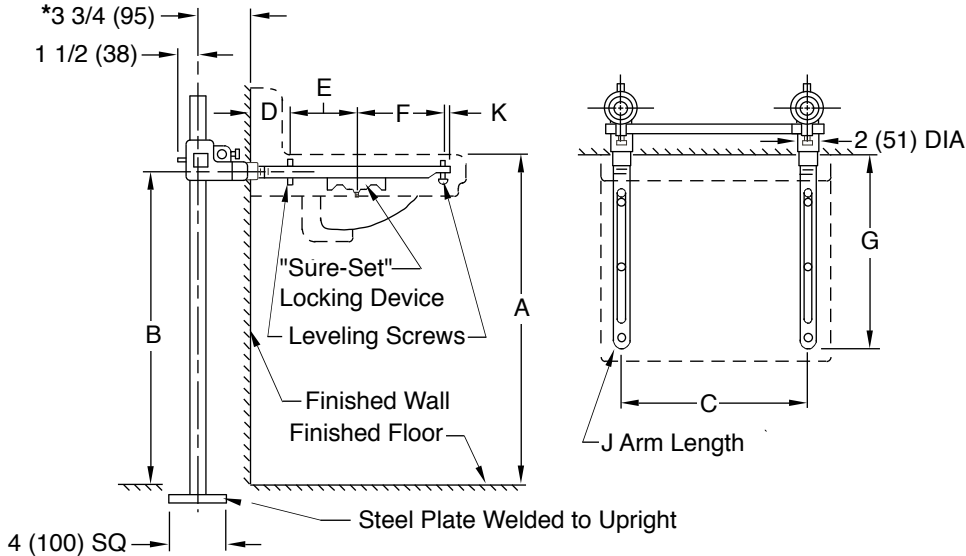
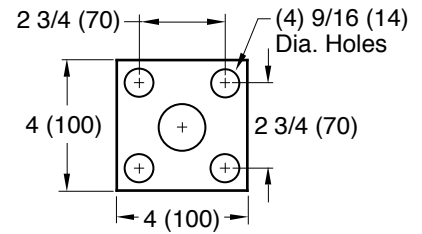


Fig. 0700 . . . FOR HIGH BACK LAVATORIES (shown)

NOTE: The rough-in dimensions listed on this drawing are based on current information available to Jay R. Smith by the fixture manufacturers. We recommend that you verify these dimensions with the fixture manufacturer. We will not accept responsibility for rough-in dimension changes by the fixture manufacturer.

NOTE: Dimensions shown in parentheses are in millimeters.



BASE DETAIL

ROUGHING-IN TABLE

| FIXTURE MFG. | NAME | NUMBER | SIZE | A | B | C | D | E | F | G | J | K |
|--------------|-----------------|--------------------|---------------------|----------|--------------|--------------|------------|-------------|-------------|--------------|--------------|----------|
| AM. STD. | LUCERNE | 0355.012 | 20 (510) x 18 (455) | 31 (785) | 29 1/4 (745) | 16 3/4 (425) | 4 (100) | 6 (150) | 6 (150) | 16 1/2 (420) | 19 (485) | 1/2 (13) |
| AM. STD. | LUCERNE | 0356.015 | 20 (510) x 18 (455) | 31 (785) | 29 1/4 (745) | 16 3/4 (425) | 4 (100) | 6 (150) | 6 (150) | 16 1/2 (420) | 19 (485) | 1/2 (13) |
| AM. STD. | LUCERNE | 0356.421 | 20 (510) x 18 (455) | 31 (785) | 29 1/4 (745) | 16 3/4 (425) | 4 (100) | 6 (150) | 6 (150) | 16 1/2 (420) | 19 (485) | 1/2 (13) |
| AM. STD. | MURRO | 0954.000 | 20 (510) x 21 (455) | 34 (865) | 32 3/8 (823) | 16 3/4 (425) | 4 (100) | 6 (150) | 6 (150) | 14 1/2 (370) | 17M (430) | 1/2 (13) |
| AM. STD. | MURRO | 0955.000 | 22 (560) x 21 (535) | 34 (865) | 32 3/8 (823) | 16 3/4 (425) | 4 (100) | 6 (150) | 4 (100) | 14 1/2 (370) | 17M (430) | 1/2 (13) |
| AM. STD. | MURRO | 0958.000 | 22 (560) x 21 (535) | 34 (865) | 32 3/8 (823) | 16 3/4 (425) | 4 (100) | 6 (150) | 4 (100) | 14 1/2 (370) | 17M (430) | 1/2 (13) |
| KOHLER | CHESAPEAKE | K-1722, 24, 28 | 19 (483) x 17 (432) | 31 (785) | 29 3/8 (746) | 15 3/8 (391) | 3 1/4 (83) | 5 1/4 (135) | 5 1/4 (135) | 14 1/4 (360) | 17M (430) | 1/2 (13) |
| KOHLER | CHESAPEAKE | K-1721, 23, 29 | 20 (510) x 18 (455) | 31 (785) | 29 7/8 (759) | 15 3/4 (400) | 3 1/4 (83) | 5 1/4 (135) | 5 1/4 (135) | 14 5/8 (371) | 17 1/4 (430) | 7/8 (22) |
| KOHLER | GREENWICH | K-2030, 1, 2, 4, 6 | 20 (510) x 18 (455) | 31 (785) | 29 (735) | 17 1/4 (440) | 3 1/4 (83) | 5 1/4 (135) | 5 1/4 (135) | 14 1/4 (360) | 16M (405) | 1/2 (13) |
| KOHLER | KINGSTON | K-2005, 6, 7 | 20 (510) x 18 (455) | 31 (785) | 29 1/8 (740) | 17 1/4 (440) | 2 5/8 (67) | 5 7/8 (149) | 5 1/4 (135) | 14 1/4 (360) | 16M (430) | 1/2 (13) |
| KOHLER | SOHO | K-2053, 4 | 20 (510) x 18 (455) | 31 (785) | 29 1/4 (745) | 16 1/2 (420) | 3 1/4 (83) | 5 1/4 (135) | 5 1/4 (135) | 14 1/4 (360) | 17M (430) | 1/2 (13) |
| TOTO | COMMERCIAL LAV. | LT 307 | 21 (533) x 18 (455) | 34 (864) | 33 1/4 (845) | 16 3/4 (425) | 3 3/4 (95) | 8 1/8 (206) | 4 1/2 (114) | 16 7/8 (429) | 19 (483) | 1/2 (13) |
| ZURN | LAV | Z5361, 4, 8 | 20 (510) x 18 (455) | 31 (785) | 29 1/2 (749) | 17 (432) | 3 1/4 (83) | 5 1/4 (135) | 5 1/4 (135) | 14 1/4 (360) | 17M (430) | 1/2 (13) |
| ZURN | LAV | Z5321, 4, 8, 9 | 23 (584) x 20 (510) | 34 (864) | 31 3/4 (806) | 16 3/4 (425) | 4 (100) | 7 (178) | 7 (178) | 18 1/2 (470) | 20 (510) | 1/2 (13) |

***NOTE:** This dimension can be increased when fixture support is to be installed behind the wall. (Specify when required and wall thickness).

DRAWING NUMBER S0700
 SIZE A
 SCALE: NONE
 DATE: 2-20-85
 APPROVED BY: SJM
 CHECKED BY: SJM
 DRAWN BY: CR
 DIMENSIONS ARE SUBJECT TO MANUFACTURERS TOLERANCE AND CHANGE WITHOUT NOTICE
 WE CAN ASSUME NO RESPONSIBILITY FOR USE OF SUPERSEDED OR VOID DATA
 FIGURE NUMBER 0700

| | | | | | | | |
|------|----------|---------------------------|----|---------|---------------|-------------------|---------------|
| K | 12/05/22 | Revised Roughing-in Table | KK | JT | WEIGHT POUNDS | VOLUME CUBIC FEET | FIGURE NUMBER |
| J | 09/27/10 | Updated Drawing | JJ | CL | | | 0700 |
| H | 11/23/05 | Revised Roughing-in Table | JJ | CL | | | |
| G | 03/19/04 | Revised Roughing-in Table | JJ | CL | | | |
| REV. | DATE | DESCRIPTION | BY | CKD. BY | | | |

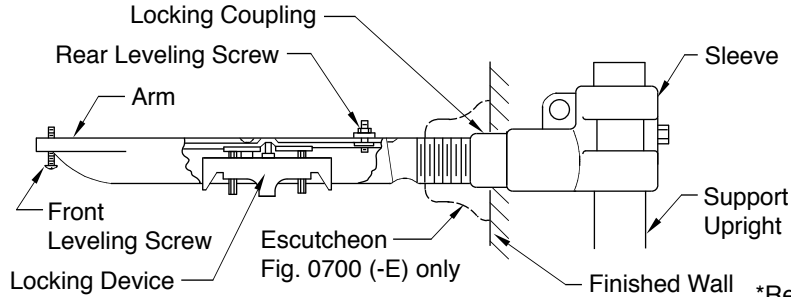
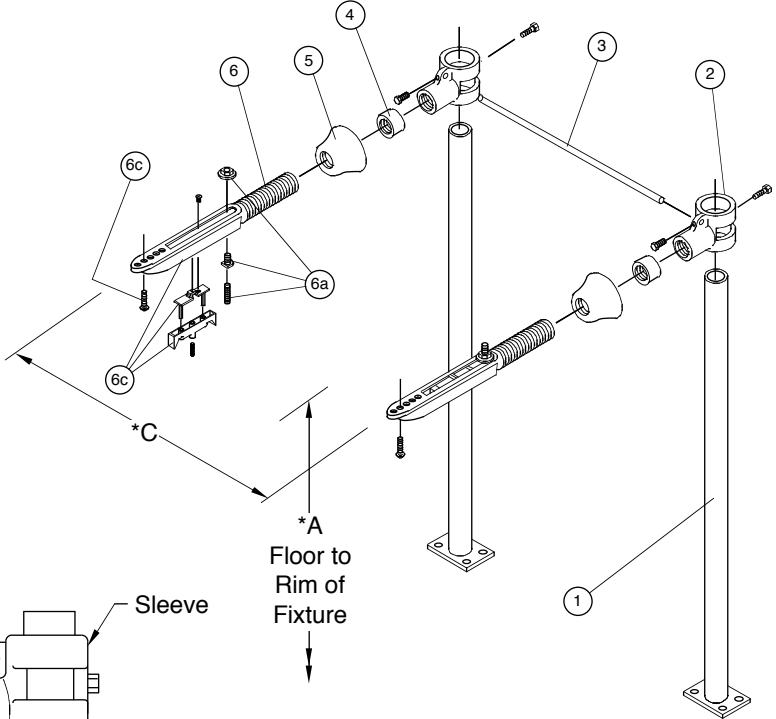
INSTALLATION INSTRUCTIONS FOR CONCEALED ARM CARRIERS

BEFORE starting rough-in be certain you:

- know correct fixture number and name
- have a copy of Smith submittal (rough-in) drawing with dimensions for fixture to be used.

NOTE: The rough-in dimensions listed on this drawing are based on current information available to Jay R. Smith by the fixture manufacturers. We recommend that you verify these dimensions with the fixture manufacturer. We will not accept responsibility for rough-in dimension changes by the fixture manufacturer.

| PART | QTY | DESCRIPTION |
|------|-----|---------------------------|
| 1 | 2 | Upright (w/welded base) |
| 2 | 2 | Sleeve Assembly |
| 3 | 1 | Alignment Bar |
| 4 | 2 | Locking Coupling |
| 5 | 2 | Escutcheon Fig. 0700 (-E) |
| 6 | 2 | Arm Assembly |
| 6a | 2 | Rear Leveling Screw Assy |
| 6b | 2 | Locking Device |
| 6c | 2 | Front Leveling Screw |



*Refer to Smith submittal drawing for these dimensions.

INSTALLATION INSTRUCTIONS FOR CONCEALED ARM CARRIERS

- Uprights (Part #1) must be spaced according to the "C" dimension (shown on the submittal drawing). Uprights should not be bolted rigidly to the floor at this time.
- Position sleeves (Part #2) by using the "B" dimension (shown on the submittal drawing). Secure to uprights with 5/16 (8)-18 hex head bolts (furnished) on the back of the sleeve.
- Slide alignment bar (Part #3) into the sleeves. Recheck the "C" dimension at the center of the uprights. Secure the alignment bar with 5/16 (8) hex head bolts (furnished). Uprights should now be bolted securely to the floor. Uprights must be plumb: if necessary, shim to compensate for uneven floors.
- Thread escutcheon (Part #5), Fig. 0700 (-E) only onto arm (Part #6). Thread locking coupling (Part #4) onto arm. Thread arms into sleeves (Part #2) to dimension "G" (shown on the submittal drawing). Lock arms in place by tightening locking coupling (Part #4). Recheck "C" dimension at the end of the arms.
- Rear leveling screw assemblies (Part #6a) must be set according to the "D" dimension (shown on the submittal drawing). Position the locking devices (Part #6b) to the "E" dimension (shown on the submittal drawing). Install the front leveling screws (Part #6c) to the "E" dimension (shown on the submittal drawing).
- Level lavatory with leveling screws as required and secure in place with locking device.

DRAWING NUMBER: S0700 INS
SIZE: A
SCALE: NONE
DATE: 8-8-85
APPROVED BY: KG
CHECKED BY: CR
DRAWN BY: VGD
FIGURE NUMBER: 0700, 0700 (-E)
INSTALLATION INSTRUCTIONS

WE CAN ASSUME NO RESPONSIBILITY FOR USE OF SUPERSEDED OR VOID DATA

DIMENSIONS ARE SUBJECT TO MANUFACTURERS TOLERANCE AND CHANGE WITHOUT NOTICE

| | | | | | | | |
|------|----------|--------------------|-----|---------|---------------|-------------------|--|
| REV. | DATE | DESCRIPTION | BY | CKD. BY | WEIGHT POUNDS | VOLUME CUBIC FEET | FIGURE NUMBER 0700, 0700 (-E) INSTALLATION INSTRUCTIONS |
| F | 10-7-13 | Revised Callouts | TBW | CL | | | |
| E | 09/27/10 | Updated Drawing | JJ | CL | | | |
| D | 2/16/01 | Revised Submittal | RN | | | | |
| C | 01/11/00 | Revised Base Plate | JJ | BS | | | |

LV-2

KOHLER®

KOHLER is not listed as approved manufacturer. Please confirm this manuf. is acceptable as this product meets/exceeds specs requirements.

Pennington™

20-1/4" oval drop-in bathroom sink
K-2196-4

Features

- 4" (102 mm) centerset faucet holes
- Oval basin
- Overflow drain

Material

- Vitreous china

Installation

- Drop-in



ADA

CSA B651

OBC

Codes/Standards

ASME A112.19.2/CSA B45.1

ADA

ICC/ANSI A117.1

CSA B651

OBC




KOHLER® One-Year Limited Warranty

See website for detailed warranty information.

Available Colors/Finishes

Color tiles intended for reference only.

| Color | Code | Description |
|-------|------|-------------|
|-------|------|-------------|

| | | |
|---|----|--------------|
|  | 0 | White |
|  | 96 | Biscuit |
|  | 7 | Black Black™ |

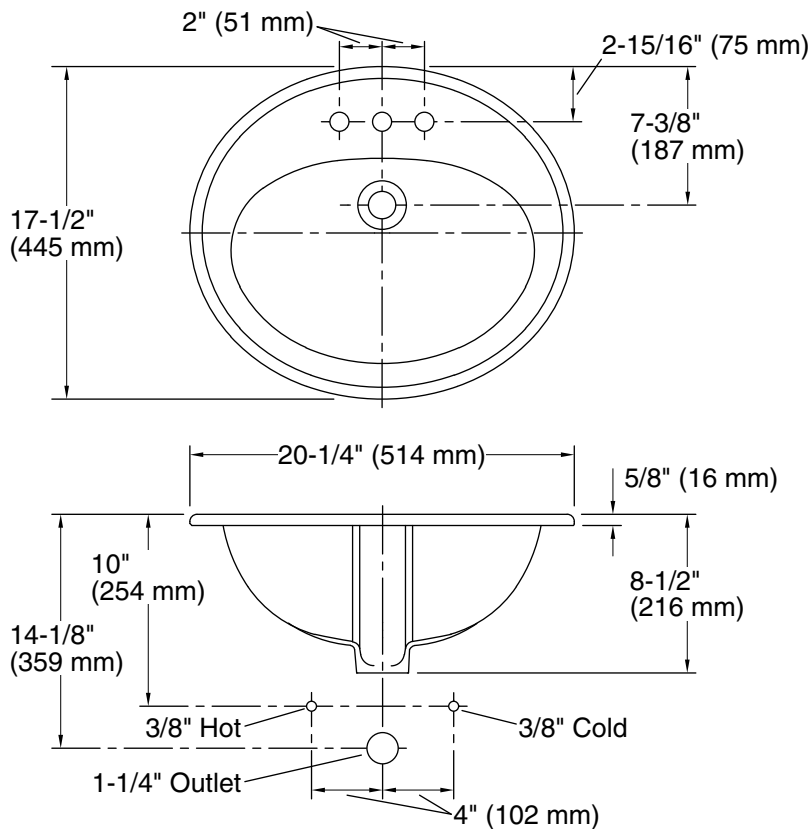
1-800-4KOHLER (1-800-456-4537)

Kohler Co. reserves the right to make revisions without notice to product specifications.

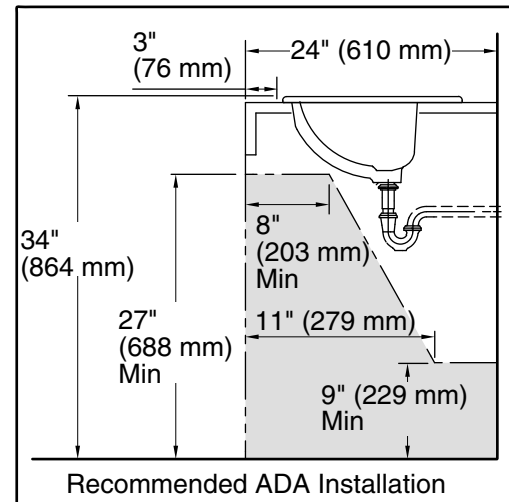
For the most current Specification Sheet, go to www.kohler.com.

4-3-2023 21:46 - US/CA/MX

THE BOLD LOOK
OF **KOHLER**®



Standard Installation



Recommended ADA Installation

Technical Information

All product dimensions are nominal.

| | |
|-----------------------|---|
| Bowl configuration: | Single |
| Installation: | Drop-in |
| Center(s): | 4 |
| Bowl area (Only): | Length: 16" (406 mm) Width: 11" (279 mm) With overflow: Yes Water depth: 4" (102 mm) |
| With overflow: | Yes |
| Number of deck holes: | 3 |
| Faucet hole spacing: | 4" (102 mm) |
| Faucet hole(s): | 1-1/4" (32 mm) |
| Drain hole: | 1-3/4" (44 mm) |
| Template: | 1002970-7, required, included |

Notes

Install this product according to the installation instructions.

NOTICE: Countertop manufacturer or cutter must use the cut-out template provided with the product, or a current one provided by Kohler Co. (call 1-800-4-KOHLER). Kohler Co. is not responsible for cutout errors when the incorrect cut-out template is used.

ADA, OBC, CSA B651 compliant when installed to the specific requirements of these regulations.

Manual Sink Faucets

420-T41E2805ABCP

Product Type

Deck-mounted manual faucet with built-in ASSE 1070 compliant scald protection

Features & Specifications

- 4" fixed centers
- Vandal Proof Pressure compensating Econo-Flo™ non-aerating laminar spray 0.5 GPM
- Vandal Proof 4-1/4" lever handle
- Ceramic cartridge with built-in check valve and thermostatic element
- ECAST® design provides durable cast brass construction with total lead content equal to or less than 0.25% by weighted average
- CFNow! Item Ships in 3 Days






Performance Specification

- Rated Operating Pressure: 20-125 PSI
- Rated Operating Temperature: Hot inlet temperature: 100°F-180°F (38°C-82°C). Maximum output temperature: 105°F (41°C) ±1°. Minimum approved flow rate for temp limiting: 0.5 GPM. Maximum Emergency Temperature Out at Cold Water Failure: 120°F (49°C)

Warranty

- 1-Year Limited Cartridge Warranty
- 5-Year Limited Faucet Warranty
- 1-Year Limited Finish Warranty

Codes & Standards

-  ASME A112.18.1/CSA B125.1
-  ADA ANSI/ICC A117.1
-  Certified per ASSE 1070 / ASME A112.1070 / CSA B125.70
-  NSF/ANSI 372 Low Lead Content
-  NSF/ANSI 61, Section 9

Job Name _____

Item Number _____

Section/Tag _____

Model Specified _____

Architect _____

Engineer _____

Contractor _____

Submitted as Shown

Submitted with Variations

Date _____



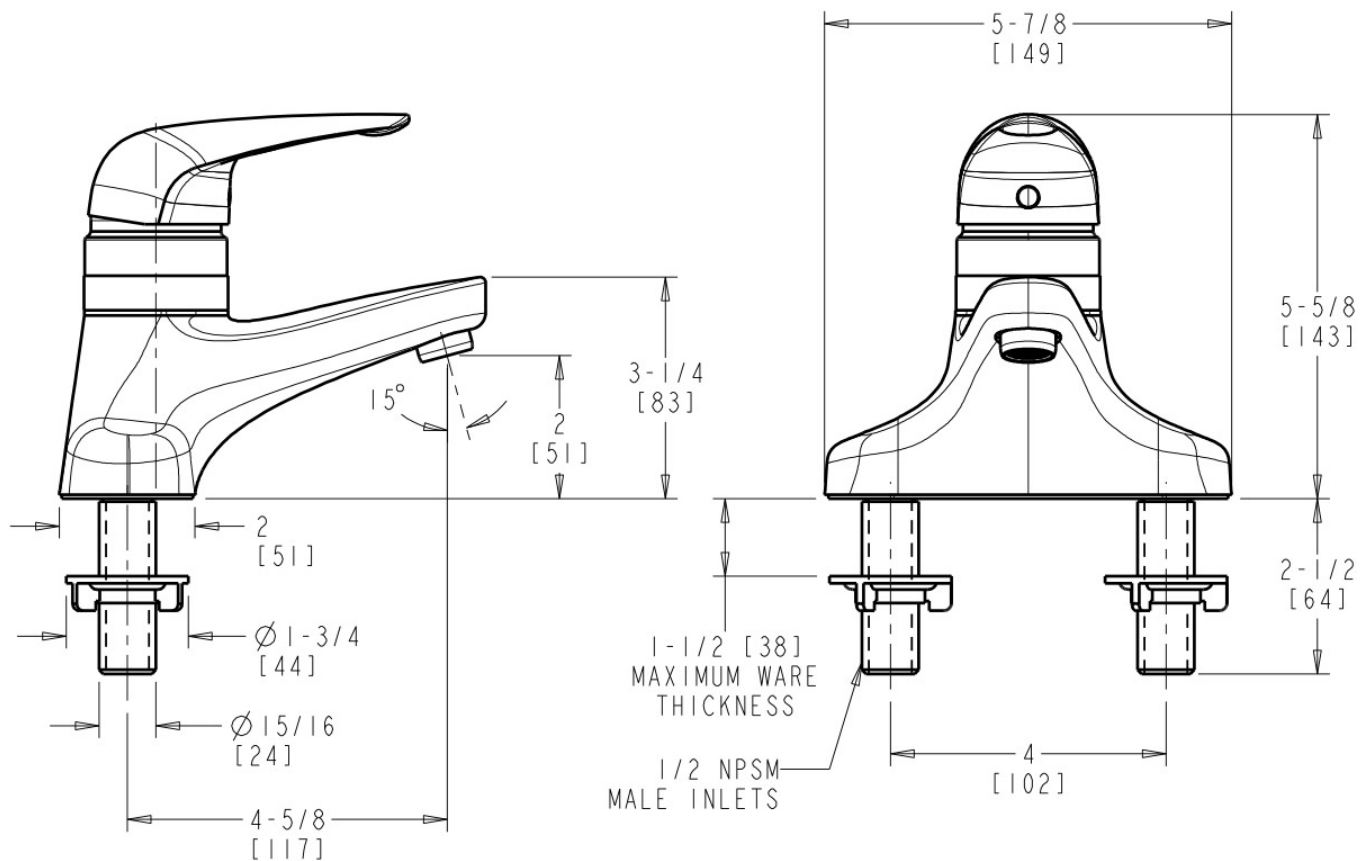
ECAST

ECAST products are intended for installation where state laws and local codes mandate lead content levels or in any location where lead content is a concern.

2100 South Clearwater Drive
Des Plaines, IL
P: 847/803-5000
F: 847/803-5454
Technical: 800/TEC-TRUE
www.chicagofaucets.com

Architect/Engineer Specification

Chicago Faucets No. 420-T41E2805ABCP, Sink Faucet for hot and cold water, single lever, deck-mounted with 4" fixed centers, chrome plated. Rigid, cast brass spout, 4-5/8" center-to-center. 0.5 GPM (1.9 L/min) vandal-proof, pressure compensating, non-aerating, laminar spray outlet. Ceramic mixing cartridge, includes thermostatic scald protection. Cartridge includes Integral inlet check valves to protect against cross-flow, 1/2" NPSM supply inlets for 3/8" or 1/2" flexible riser. ECAST® construction with less than 0.25% lead content by weighted average. This product meets ADA ANSI/ICC A117.1 requirements and is tested and certified to industry standards: ASME A112.18.1/CSA B125.1, ASSE 1070/ASME A112.1070/CSA B125.70, Certified to NSF/ANSI 61, Section 9, California Health and Safety Code 116875 (AB1953-2006), Vermont Bill S.152, and NSF/ANSI 372 Low Lead Content.



Operation and Maintenance

Installation should be in accordance with local plumbing codes. Flush all pipes thoroughly before installation. After installation, remove spout outlet or flow control and flush faucet thoroughly to clear any debris. Care should be taken when cleaning the product. Do not use abrasive cleaners, chemicals or solvents as they can result in surface damage. Use mild soap and warm water for cleaning and protecting the life of Chicago Faucet products. For specific operation and maintenance refer to the installation instructions and repair parts documents that are located at www.chicagofaucets.com.

Chicago Faucets, member of the Geberit Group, is the leading brand of commercial faucets and fittings in the United States, offering a complete range of products for schools, laboratories, hospitals, office buildings, food service, airports and sport facilities. Call 1.800.TECTRUE or 1.847.803.5000 Option 1 for installation or other technical assistance.



2100 South Clearwater Drive
Des Plaines, IL
P: 847/803-5000
F: 847/803-5454
Technical: 800/TEC-TRUE
www.chicagofaucets.com



McGuire Manufacturing Co., Inc.

60 Grandview Court
Cheshire, Connecticut 06410
(203) 699-1801 Fax (203) 699-1813
customerservice@mcguiremfg.com mcguiremfg.com

PRODUCT SPECIFICATION

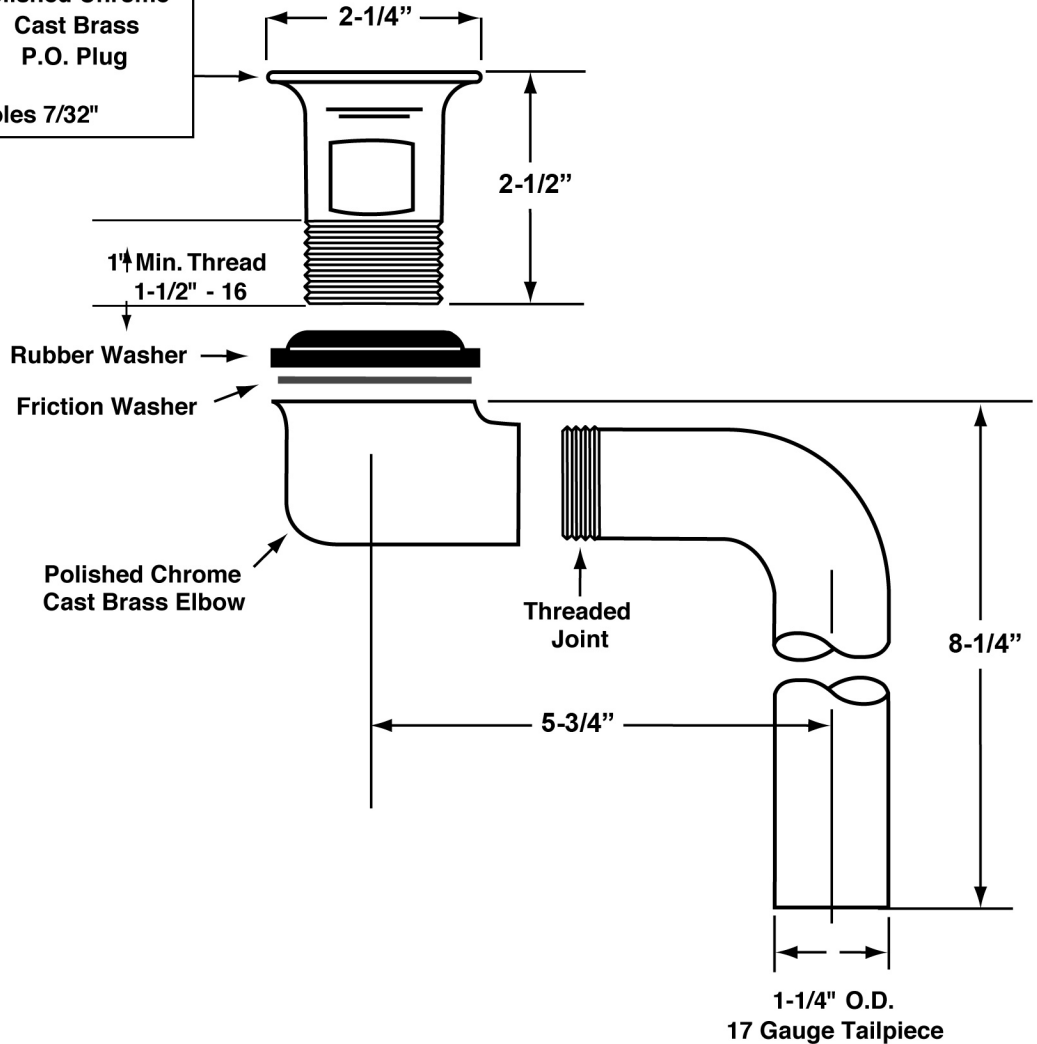
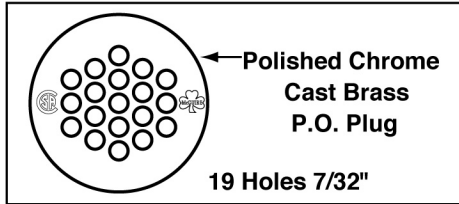
Part No.

155WC

Offset Lavatory Grid Strainer

Job Name:

Submittal Number:



- Rated Operating Temperature: 40-140°F
- Note: 180°F max. during temporary high-temperature system flush

A.D.A.



ASME A112.18.2/CSA B125.2

Specifications:

Cast brass chrome plated offset wheelchair strainer with polished chrome cast brass elbow, 17GA 1-1/4" seamless brass offset tailpiece, rubber basin washer and fiber friction washer. Offset lavatory strainer shall be in compliance with CSA or other recognized testing authority and bear both manufacturer and testing mark.



WARNING:

This product can expose you to chemicals including lead, which is known to the State of California to cause cancer, and birth defects or other reproductive harm. For more information go to www.P65Warnings.ca.gov.



McGuire Manufacturing Co., Inc.

60 Grandview Court
 Cheshire, Connecticut 06410
 (203) 699-1801 Fax (203) 699-1813
 customerservice@mcguiremfg.com mcguiremfg.com

PRODUCT SPECIFICATION

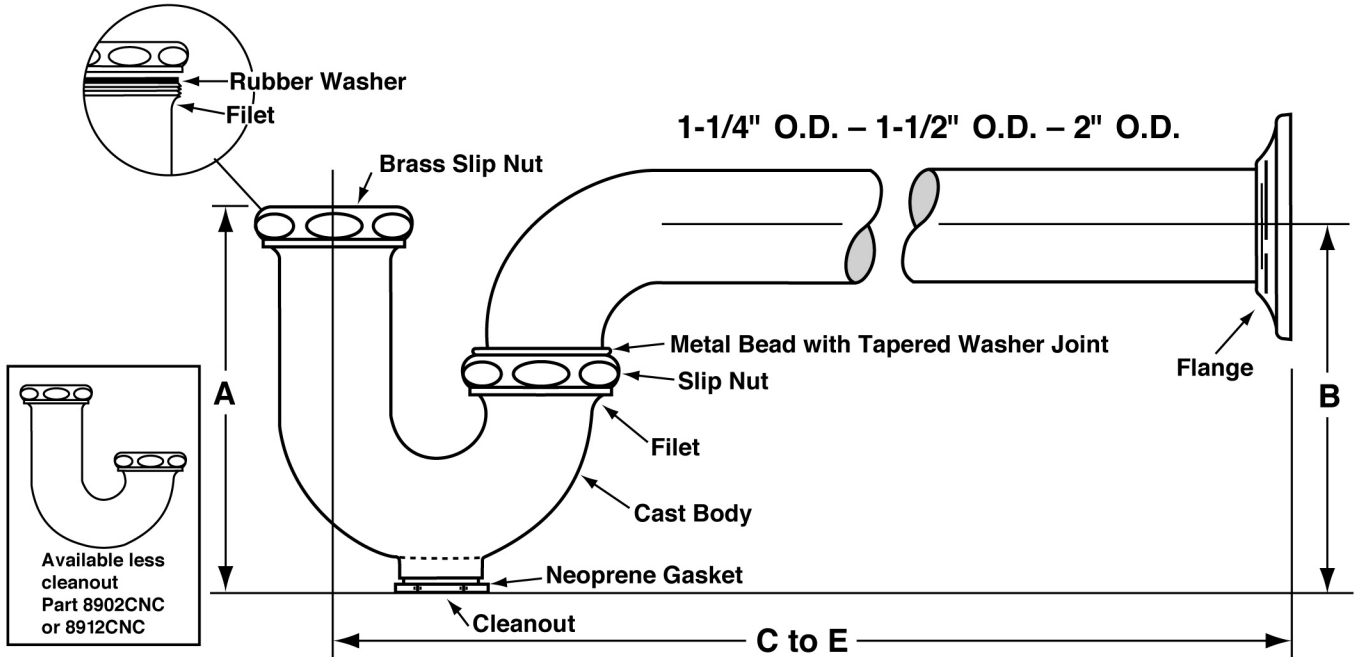
Part No.

8872C

**Cast Body P-Trap
 With or Without Cleanout**

Job Name:

Submittal Number:



PROFESSIONAL LINE

ROUGHING MEASUREMENTS

| NO. | TRAP DIMENSIONS | | A | B | C to E |
|-------|-----------------|--------|--------|--------|---------|
| | INLET | OUTLET | | | |
| 8872C | 1-1/4" | 1-1/4" | 4-1/2" | 4-1/4" | 11-1/2" |

- Rated Operating Temperature: 40-140°F
- Note: 180°F max. during temporary high-temperature system flush

**FED SPEC W.W.P. 541
 CAST BRASS P TRAP
 MINIMUM SEAL 2"**



See options and accessories section for details on product variations.

ASME A112.18.2/CSA B125-2

Specifications:

P-Trap shall be chrome plated cast brass body (with, without) cleanout, with 17 gauge seamless tubular wall bend, cast brass slip nuts. Reducing washers shall be used with reducing cast brass nut. With (shallow, deep, bell) (steel, brass) or (forged brass with set screw) flange.

P-Trap shall be McGuire "Classic" Professional Line

Trap shall be certified by CSA or other recognized testing authority. Trap shall bear manufacturer and testing marks.

! WARNING:

This product can expose you to chemicals including lead, which is known to the State of California to cause cancer, and birth defects or other reproductive harm. For more information go to www.P65Warnings.ca.gov.



McGuire Manufacturing Co., Inc.

60 Grandview Court
 Cheshire, Connecticut 06410
 (203) 699-1801 Fax (203) 699-1813
 customerservice@mcguiremfg.com mcguiremfg.com

PRODUCT SPECIFICATION

Part No.

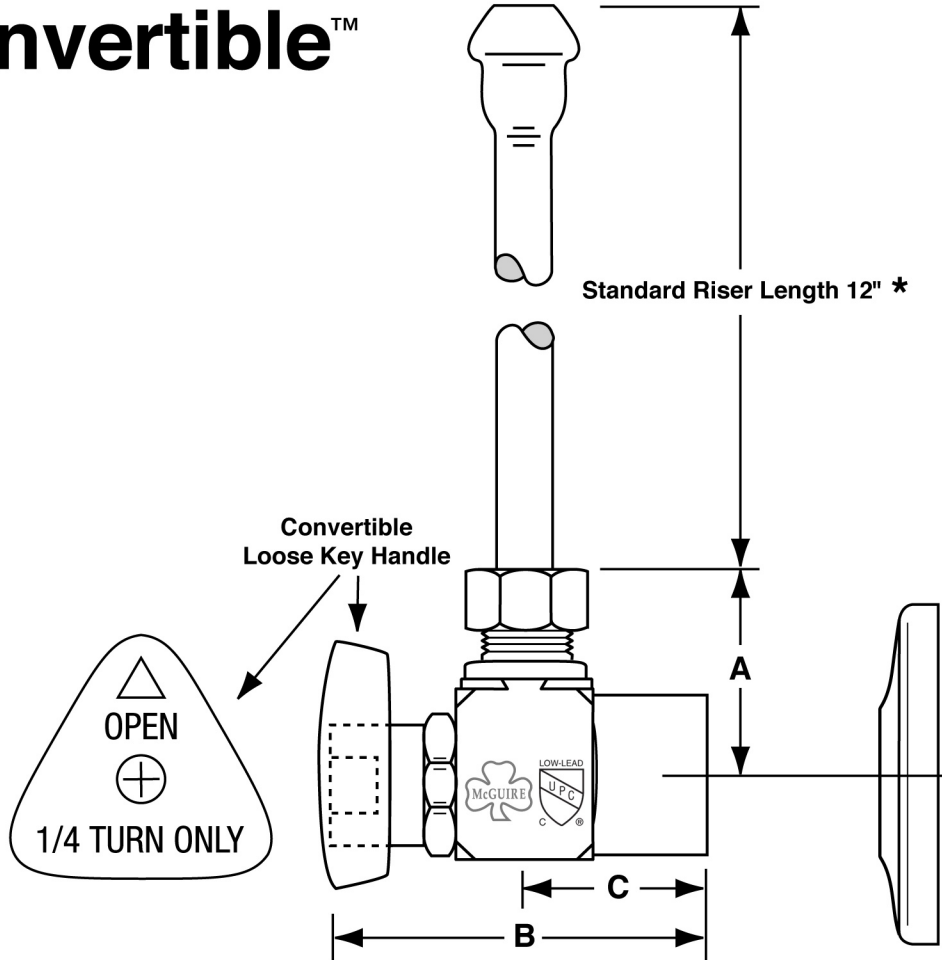
LFBV2165

**Quarter-Turn Brass
 Ball Valve Lavatory Supply**

Job Name:

Submittal Number:

Convertible™



| NO. | DESCRIPTION | ROUGHING MEASUREMENTS | | |
|----------|-------------------------|-----------------------|---------|----|
| | | A | B | C |
| LFBV2165 | 1/2" I.P.S. x 3/8" O.D. | 1-3/16" | 2-3/16" | 1" |

* See options and accessories section for details on product variations.



Specifications:

Supply kits shall include lead free chrome plated, commercial pattern Quarter-Turn Brass Ball Valve with convertible loose key handle, (chrome plated copper or braided stainless risers) and (shallow, deep, bell) (steel or brass) or (forged brass with set screw) flange. Inlet shall be (1/2) inch (IPS, sweat, compression). Outlet shall be (3/8) inch (compression). Supply kit shall be McGuire _____ . Supply kit shall be certified by recognized authority and bear manufacturer and testing mark.

! WARNING:

This product can expose you to chemicals including lead, which is known to the State of California to cause cancer, and birth defects or other reproductive harm. For more information go to www.P65Warnings.ca.gov.

ADA-compliant undersink protection

Submittal Sheet

General Description:

LAV GUARD® 2E-Z Series waste and supply piping covers satisfy ADA compliance requirements. Built-in E-Z Grip internal fasteners and internal, E-Z Tear-To-Fit trimming feature allow for fast installation without tools. Series #100 E-Z kits are designed to fit on all tubular and cast brass P-trap assemblies. Series #400 kits are the "original" LAV GUARD design and fit schedule 40 ABS and PVC P-trap assemblies — regardless of their geometry or rotational offset. Valve cover completely encloses angle valve and supply tube for both handled and keyed type water stops.

| | |
|------------------------------------|---|
| Material | Molded vinyl |
| Nominal Wall | 1/8" constant |
| Durometer | 70 - 80 - Shore A |
| UV Protection | Will not fade or discolor |
| Durability | Virtually indestructible |
| Trimming (E-Z Series) | Internal, E-Z Tear-To-Fit trim feature |
| Fasteners (E-Z Series) | Internal E-Z Grip fasteners (reusable) |
| Color | China white |
| Paintability | Apply Latex paint |
| Burning Characteristics ASTM D-635 | Self extinguished 0 sec (ATB) 0 mm (AEB) |
| Bacteria/Fungus Resistance | ASTM G21 and G22/ Result: 0 growth |
| Maintenance | Use common detergents |

Antimicrobial Vinyl Minimizes Maintenance

Lav Guard 2 is molded from impact-resistant, stain-resistant, antimicrobial vinyl. Its smooth surface makes it exceptionally easy to clean and maintain.

Manufactured under one or more of the following U.S. or Canadian patents. Other patents pending.

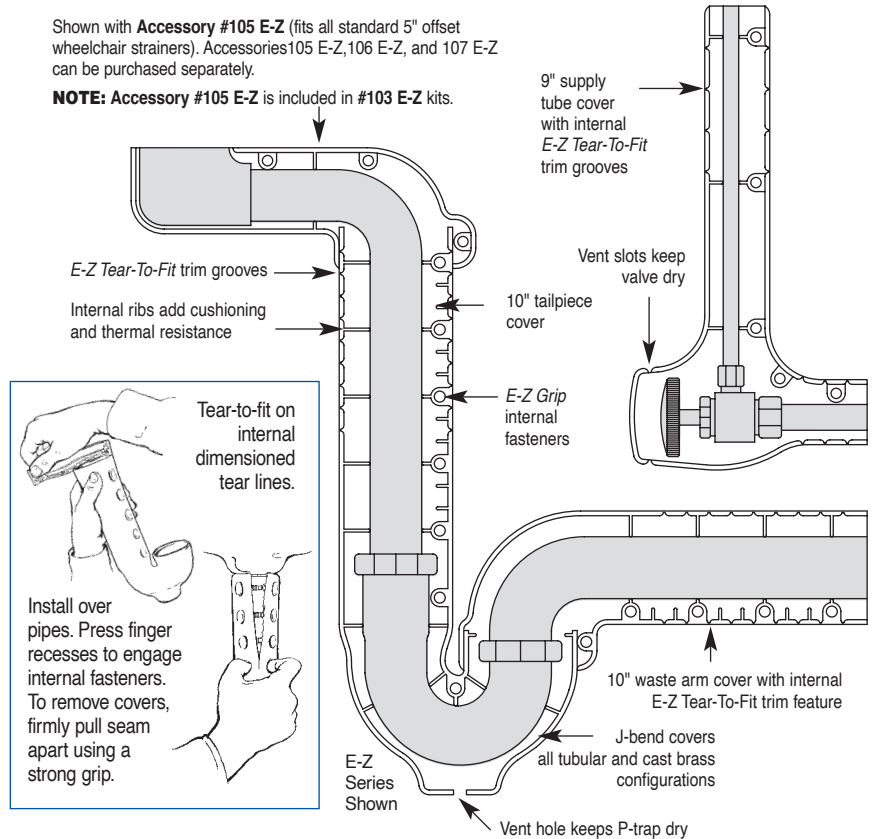
5,303,730 5,360,031 5,524,669 5,564,463 5,678,598 5,699,828 5,915,412
5,915,413 5,901,739 5,960,820 2,075,324 2,119,427 2,136,027 2,158,083



500 Distribution Parkway, Collierville, TN 38017 ▪ Phone: 800-888-8312 ▪ Fax: 901-853-5008 ▪ www.ipscorp.com

Shown with **Accessory #105 E-Z** (fits all standard 5" offset wheelchair strainers). Accessories 105 E-Z, 106 E-Z, and 107 E-Z can be purchased separately.

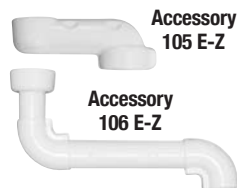
NOTE: Accessory #105 E-Z is included in #103 E-Z kits.



#100 E-Z Series (shown above right) for tubular and cast brass P-trap assemblies.

#400W* Series (original design) for schedule 40 P-trap assemblies.

| | | |
|---|---|--|
| <input type="checkbox"/> Model #99 E-Z One angle valve and supply cover | <input checked="" type="checkbox"/> Model #102 E-Z One P-trap cover, two angle valves and covers | <input type="checkbox"/> Accessory #105-K Kohler 6" offset |
| <input type="checkbox"/> Model #100 E-Z One P-trap cover | <input type="checkbox"/> Model #402W* One P-trap cover, two angle valves and covers | <input type="checkbox"/> Accessory #106 E-Z One basket strainer cover and offset waste cover (adjustable to 18") |
| <input type="checkbox"/> Model #400W* One P-trap cover | <input type="checkbox"/> Model #103 E-Z One P-trap cover, two angle valves and supply covers, one 5" offset tailpiece wheelchair strainer cover | <input type="checkbox"/> Accessory #107 E-Z Two basket strainer covers and center or end outlet waste cover (adjustable) |
| <input type="checkbox"/> Model #101 E-Z One P-trap cover, one angle valve cover | <input checked="" type="checkbox"/> Accessory #105 E-Z One 5" offset tailpiece wheelchair strainer assembly | <input type="checkbox"/> Accessory #Ex99 E-Z One 14" extension for water supply |
| <input type="checkbox"/> Model #401W* One P-trap cover, one angle valve cover | <small>*All #400W series items are the "original" LAV GUARD® design and construction. Specifications may change without notice.</small> | |



SH-1

PAM®II-ST COMBINATIONS

51-1D

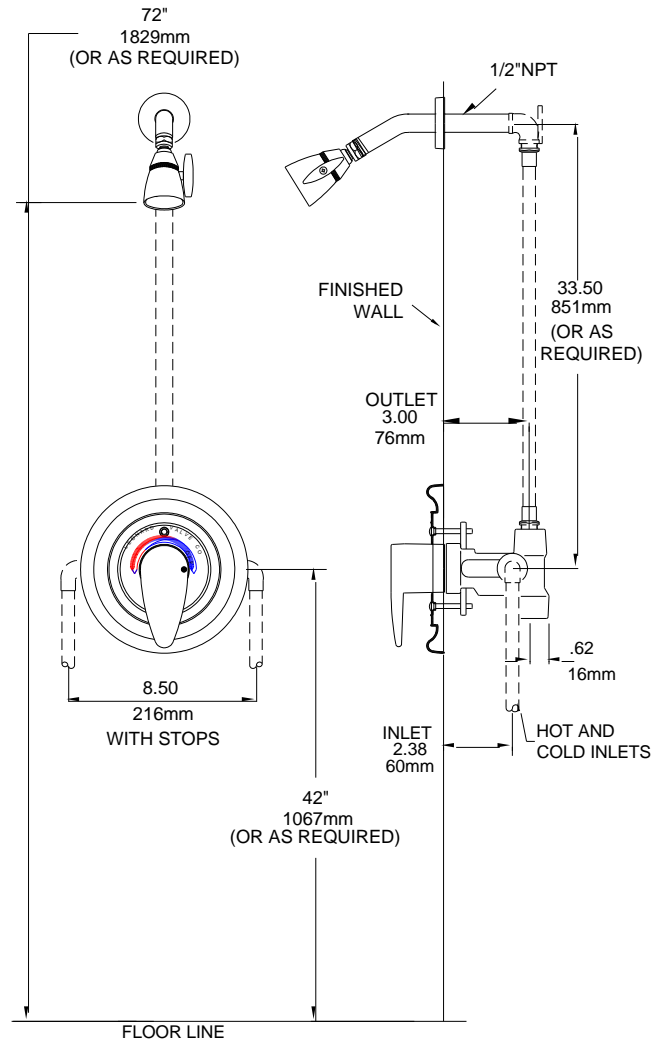

PAM®II-ST Pressure Actuated Mixer

- Durable stainless steel balancing piston to equalize hot and cold supply pressures.
- Built-in shutoff for single handle operation
- Removable one piece upper and lower valve seat
- Internal parts of bronze and stainless steel
- Cast wall flange and lever handle, polished chrome plated
- Maximum operating pressure: 125 PSIG (860KPA)
- Adjustable high temperature limit stop set for 110°F* (43°C)
- Color coded dial, Off through Hot, with directional indicators
- ½” inlets and outlets
- Angle checkstops, copper tube connection
- Plasterguard/thin wall mounting bracket included.
- H-02 Shower head, ball joint adjustable spray, arm and flange, 2.5 GPM, (9.5l/min)

ASSE · 1016 Certified
CSA-Certified


Note: Leonard Valve Company reserves the right of product, or design modifications without notice or obligation.

Note: All piping and fittings not furnished by manufacturer.



| | |
|----------------------------|------------------|
| Engineer's Approval | Job # _____ |
| | Arch/Eng. _____ |
| | Contractor _____ |



1360 Elmwood Avenue, Cranston, RI 02910 USA
 Phone: 401.461.1200 Fax: 401.941.5310
 Email: info@leonardvalve.com
 Web Site: <http://www.leonardvalve.com>

SH-2

7600 Showermaster®

76-3A

1/2" inlets & outlet
CONCEALED PIPING
7600 Thermostatic Showermaster®

- Tub/shower installation
- Copper encapsulated thermostat assembly with brass shuttle, compensates for temperature fluctuations induced by water temperature and pressure changes
- Built-in shutoff for single handle operation
- Maximum operating pressure: 125 PSI (860 KPA)
- Adjustable high temperature limit stop set for 110°F (43°C)
- Dial, Off through Hot, with directional indicators
- 1/2" inlets and outlet
- 501P(G) Hand Shower (2.5GPM, 9.5 l/min), with glide rail, double check valve assembly, elbow and flange
- D2L-Diverter valve, for switching from shower head to hand shower.
- H-02 ball joint, adjustable spray shower head 2.5 GPM, 9.5 l/min.

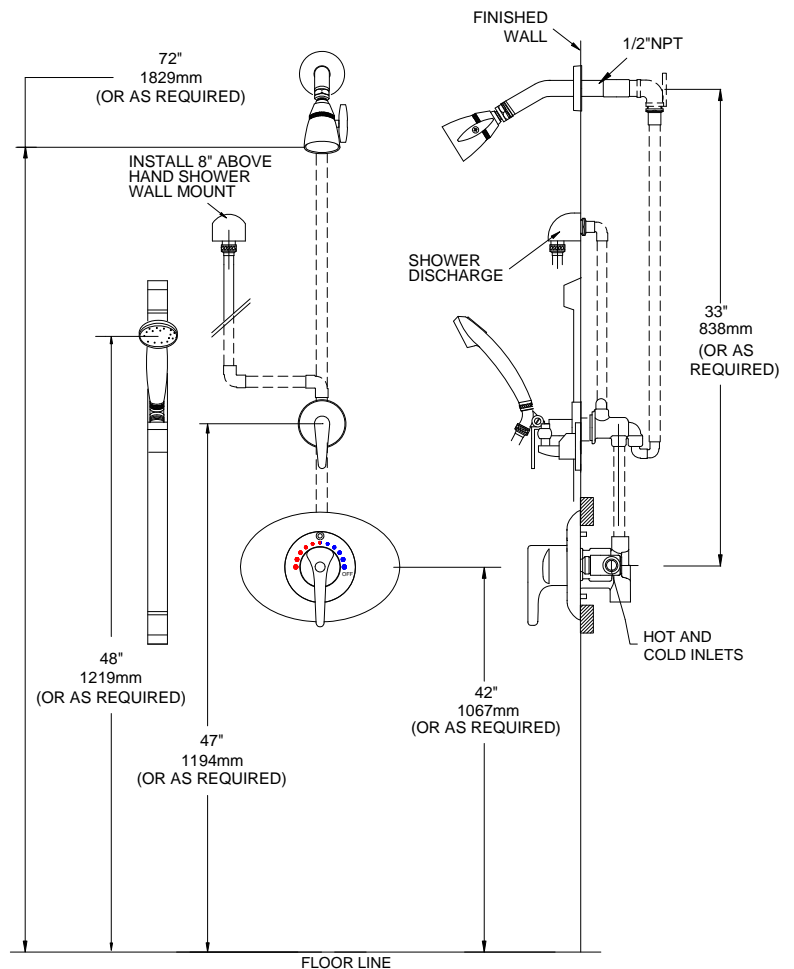
VALVE IS ASSE 1016 TYPE T LISTED
VALVE IS CSA LISTED


WARNING: This product can expose you to chemicals including lead, which is known to the State of California to cause cancer. For more information, go to www.P65Warnings.Ca.gov

Note: Leonard Valve Company reserves the right of product, or design modifications without notice or obligation.

Note: All piping and fittings not furnished by manufacturer.

| | |
|----------------------------|------------------|
| Engineer's Approval | Job # _____ |
| | Arch/Eng. _____ |
| | Contractor _____ |



All Leonard Model 7600 Thermostatic Shower Valves have limitations. Please keep in mind that per the ASSE 1016-2011 Performance Standard, Harmonized along with ASME and CSA, it dictates inlet conditions of equal pressures, 45 PSI on both Hot and Cold Inlets, in addition to a Hot supply temperature range of 140 deg F-180 deg F. Significant deviations from those conditions stated above will alter performance expectations.

EWC-1

Murdock is not listed as approved manufacturer. Please confirm this manuf. is acceptable as this product meets/exceeds specs requirements.

murdock[®]
SINCE 1853

WATER COOLER/BOTTLE FILLER

A172.8-UG-BF Series

BASE MODEL A172408F-UG-BF
BARRIER-FREE, UNIVERSAL BI-LEVEL, WALL MOUNTED WATER COOLER WITH PUSHBUTTON OR SENSOR OPERATED BOTTLE FILLER

STANDARD FEATURES

Electric Water Cooler

- Rough-Ins Match Other Manufacturer's for Easy Replacement
- EZ Door[®] Filter, 30-Second Filter Replacement Option
- Child Or Adult Ada Compliant (When Properly Installed)
- Apron and One-Piece Bottom Wrapper is Satin Finish Or Gray Powder Coat Finish
- Flexible, Low Flow, Antimicrobial, Anti-Rotation, Non-Squirt Bubbler
- Auto-Stop Allows Cartridge And Strainer Service Without Removing Cooler Deck To Access Water Supply Stop
- Universal Bi-level Can Be Installed Left High Or Right High With No Additional Parts.
- Lead Free

Bottle Filler

- Hands-Free Sensor Operation or Pushbutton Operated
- ADA Compliant
- 100-Mesh Inlet Strainer
- 120VAC/9.0VDC Plug-In Transformer, With -BF12 Only
- Laminar Flow Water Supply
- 1 GPM Fill Rate
- -BF12 Sensor Has a 20 Seconds Maximum Run Time

SUGGESTED SPECIFICATIONS

Electric Water Cooler

Model A172108F-UG-BF is a bi-level, self-contained, pressure Water Cooler that delivers a minimum of **8.0 GPH** (30.3 LPH) of water at 50°F (10°C) cooled from 80°F (26.7°C) inlet water and 90°F (32.2°C) ambient. Unit shall be activated from an Antimicrobial front Pushbutton using less than 5 pounds of force. Bubbler shall deliver a 0.3 GPM flow, have an Antimicrobial Flexible Guard with an integrally designed non-squirt feature and operate on a water pressure range of 20-105 PSIG. Basin shall be constructed from 304 Stainless Steel and have an Integral Drain. Cabinet shall be either Galvanized or Galvannealed Steel with Gray Powder Coat Finish or Stainless Steel with Satin Finish. Cooling system shall use R-134a Refrigerant and be Capillary Tube regulated. Unit shall be listed by Underwriters Laboratories for both the US and Canada and is to be compliant to ANSI/ASHRAE 18. Unit shall be certified to Public Law 111-380 (NO-LEAD) and NSF/ANSI/CAN 61. Fixture meets ADA, ADA Standing Person, and ADA Child requirements when mounted appropriately. Unit shall still deliver ambient water temperature to the Bubbler in the absence of electrical power as long as there is a pressurized water supply.

Bottle Filler -BF11

Bottle Filling unit shall include Pushbutton Operated activation.

Bottle Filler -BF12

Bottle Filling unit shall include Sensor Operated activation with a 20 second maximum run time. LED Lights illuminate the Bottle Fill area and brighten when a bottle is detected. Optional -BCD (Bottle Counter Display) indicates the quantity of 16 oz disposable Plastic Bottles saved from a land fill and also displays the Water Filter status.

Bottle Filler housing construction will be 20 gauge Stainless Steel with a satin finish and will also include components manufactured from Antimicrobial, impact resistant ABS. Bottle Filler shall provide approximately 1 GPM flow rate with a Laminar Flow Spout to minimize splashing.

Complies with the following standards:



NSF/ANSI/CAN 61

ANSI/ASHRAE 18

(220V Compressor Only)



Model A172408F-UG-BF12-BCD Shown
PATENT# 10,100,933
PATENT# D873,606



Maintenance Advantage[®]
Water Cooler by Murdock Manufacturing

"RATED FOR INDOOR USE ONLY"

| Model Number | GPH* | Rated Watts | Full Load Amps | Approx. Shipping Weight |
|--------------|------|-------------|----------------|-------------------------|
| A172408F-UG | 8.0 | 335 | 4.1 | 178 lbs. |

* GPH of 50°F water at 90°F ambient room temperature and 80°F inlet water temperature
Compressor motor operates on 115 Volt / 60 Hz single phase.

MODEL:

(Must Specify)

FLEXIBLE BUBBLER

- A172108F-UG Gray Finish Cooler
- A172408F-UG Satin Stainless Finish (Shown)

STAINLESS STEEL BUBBLER

- A172108S-UG Gray Finish Cooler
- A172408S-UG Satin Stainless Finish

MUST SPECIFY BOTTLE FILLER: Satin Finish (only)

- BF11 Bottle Filler with Pushbutton Operation
- BF12 Bottle Filler with Sensor Operation
- BF12-BAT Bottle Filler with Battery Operated Sensor Operation (N/A With -BCD)
- BF12-BCD Bottle Filler with Sensor Operation with Bottle Counter Display

OPTIONS:

(Additional costs may apply.)

- LOGO Customer Specified Logo / Graphics
- 220V 220 Volt / 50 Hz or 60Hz Compressor

ACCESSORIES:

(Additional costs may apply. Accessory items are packaged separately.)

- WF1EZ 1500-Gallon Capacity EZ Door[®] Filter¹
30-Second Replacement (Patent Pending)
- WF3 3000-Gallon Capacity Water Filter¹
- SK5 Cane Detection Skirt for Upper Unit¹
(Skirt finish provided to match model selected)

NOTES:

1 - Refer to Supplemental Submittal Sheet for Details.

Compatible Mounting Support Carrier

Jay R. Smith Mfg. Co. Figure # 0834-4P <https://www.JRSmith.com>

WARNING: Cancer and Reproductive Harm - www.P65Warnings.ca.gov

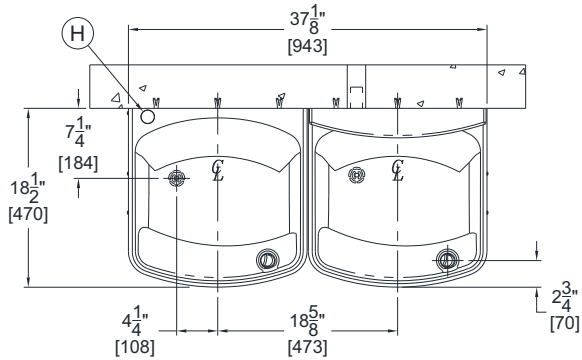
MURDOCK MFG. • 15125 Proctor Avenue • City of Industry, CA 91746 USA
Phone 800-453-7465 or 626-333-2543 • Fax 626-855-4860 • www.murdockmfg.com

Member of
MORRIS GROUP
INTERNATIONAL

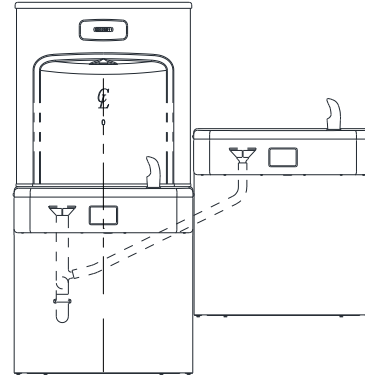
A172.8-UG-BF

REVISED: 01/31/2023

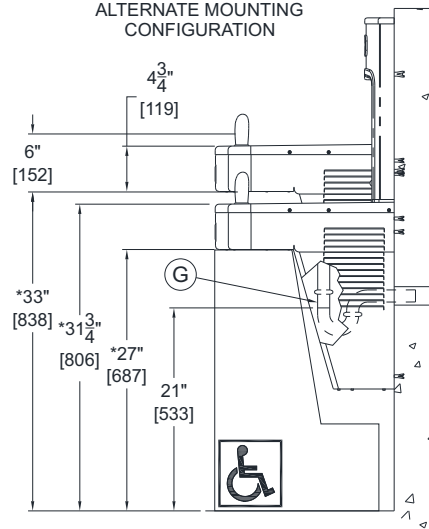
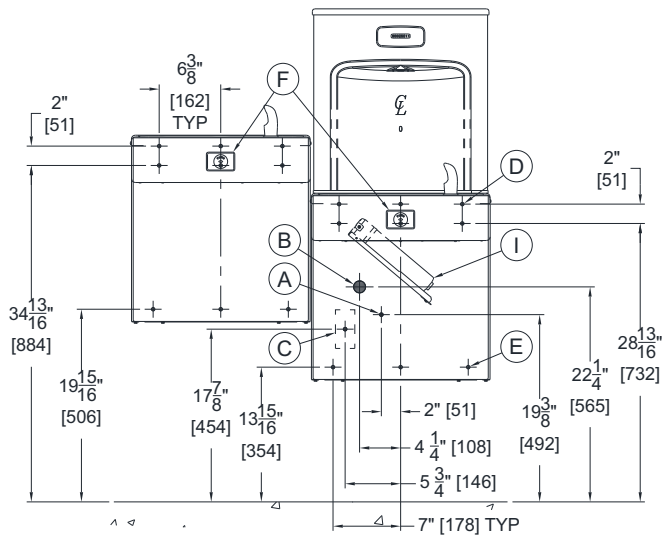
A172.8-UG-BF Series
BASE MODEL A172408F-UG-BF
BARRIER FREE, WALL MOUNTED UNIVERSAL
BI-LEVEL ELECTRIC WATER COOLER WITH
BOTTLE FILLER



A172100F-UG-BF12 SHOWN



ALTERNATE MOUNTING CONFIGURATION



GENERAL NOTES:

1. ALL DIMENSIONS ARE IN INCHES [MM]
2. ALLOW 4 INCHES [102MM] MINIMUM CLEARANCE PER SIDE FOR VENTILATION
- *3. DIMENSIONS SHOWN ARE FOR ADA ADULT HEIGHT. ADJUST VERTICAL DIMENSIONS AS NECESSARY TO COMPLY WITH FEDERAL, STATE & LOCAL CODES
4. STOP VALVE, P-TRAP & ELECTRICAL OUTLET NOT SUPPLIED
5. IMPORTANT: COOLERS MUST BE ATTACHED TO WALL WITH APPROPRIATE ANCHOR SCREWS

- A. 3/8" O.D. SUPPLY INLET
- B. WASTE OUTLET FOR P-TRAP BY OTHERS FOR PROVIDED 1-1/4" O.D. TAILPIECE
- C. ELECTRICAL SERVICE ROUGH
- D. Ø3/8" HANGER BRACKET PUNCHING, 6 PLACES FOR ANCHORING HARDWARE BY OTHERS
- E. Ø1/4" PUNCHING, 3 PLACES FOR ANCHORING HARDWARE BY OTHERS
- F. PUSHBUTTON CARTRIDGE
- G. 1-1/4" [32] O.D. TAILPIECE FOR P-TRAP BY OTHERS
- H. REMOVABLE PLUG FOR BOTTLE FILLER (-BF11 OR -BF12 ONLY)
- I. OPTIONAL -WF1EZ, EZ DOOR® FILTER

IMPORTANT: Dimensions are shown for reference only. Refer to product Installation Manual for complete details prior to Rough-in.

SELECTION SUMMARY & APPROVAL FOR MANUFACTURING

| | |
|--|----------------|
| Model Number & Options _____ | Quantity _____ |
| Company _____ | |
| Contact _____ | Title _____ |
| Signature (Approval for Manufacturing) _____ | Date _____ |

All dimensions are subject to manufactures tolerance of plus or minus 1/2" nominal and subject to change without notice. Murdock assumes no responsibility for use of void or superseded data. Dimensions may change with the addition of optional accessories. Murdock Mfg.™, Member of Morris Group International™. Please visit www.murdockmfg.com for most current specifications.



McGuire Manufacturing Co., Inc.

60 Grandview Court
 Cheshire, Connecticut 06410
 (203) 699-1801 Fax (203) 699-1813
 customerservice@mcguiremfg.com mcguiremfg.com

PRODUCT SPECIFICATION

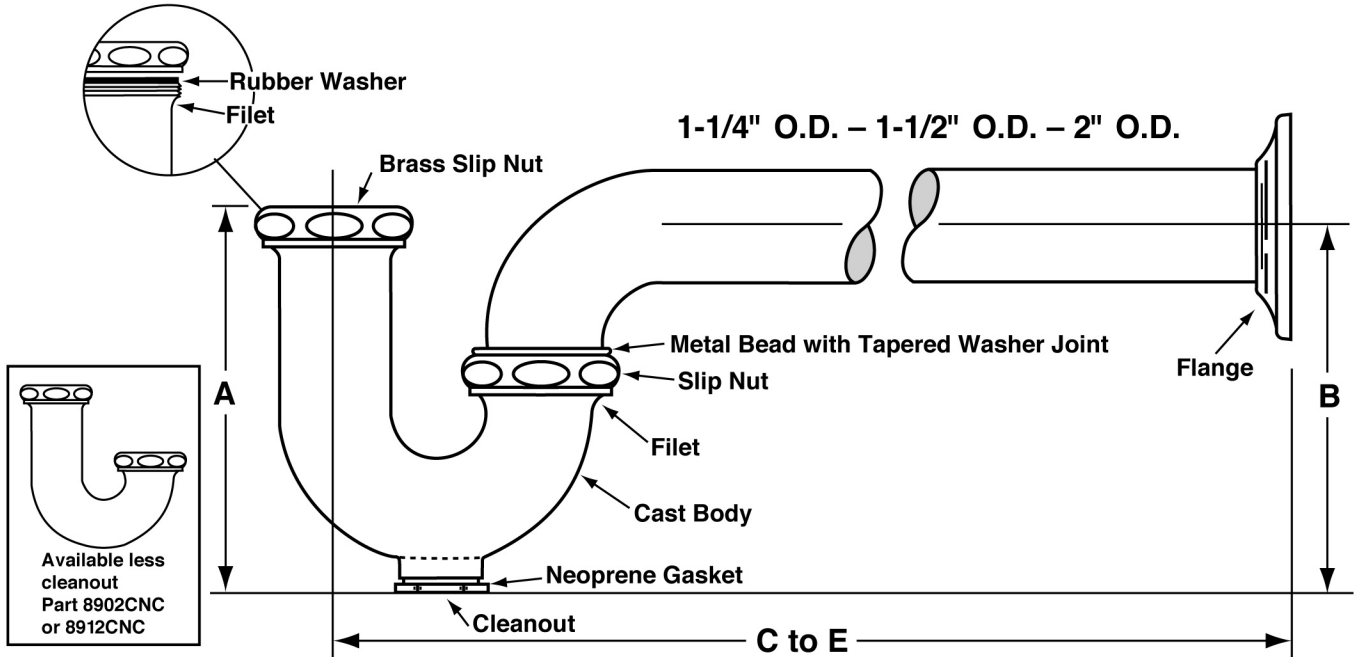
Part No.

8872C

**Cast Body P-Trap
 With or Without Cleanout**

Job Name:

Submittal Number:



PROFESSIONAL LINE

ROUGHING MEASUREMENTS

| NO. | TRAP DIMENSIONS | | A | B | C to E |
|-------|-----------------|--------|--------|--------|---------|
| | INLET | OUTLET | | | |
| 8872C | 1-1/4" | 1-1/4" | 4-1/2" | 4-1/4" | 11-1/2" |

- Rated Operating Temperature: 40-140°F
- Note: 180°F max. during temporary high-temperature system flush

**FED SPEC W.W.P. 541
 CAST BRASS P TRAP
 MINIMUM SEAL 2"**



See options and accessories section for details on product variations.

ASME A112.18.2/CSA B125-2

Specifications:

P-Trap shall be chrome plated cast brass body (with, without) cleanout, with 17 gauge seamless tubular wall bend, cast brass slip nuts. Reducing washers shall be used with reducing cast brass nut. With (shallow, deep, bell) (steel, brass) or (forged brass with set screw) flange.

P-Trap shall be McGuire "Classic" Professional Line

Trap shall be certified by CSA or other recognized testing authority. Trap shall bear manufacturer and testing marks.

! WARNING:

This product can expose you to chemicals including lead, which is known to the State of California to cause cancer, and birth defects or other reproductive harm. For more information go to www.P65Warnings.ca.gov.



McGuire Manufacturing Co., Inc.

60 Grandview Court
 Cheshire, Connecticut 06410
 (203) 699-1801 Fax (203) 699-1813
 customerservice@mcguiremfg.com mcguiremfg.com

PRODUCT SPECIFICATION

Part No.

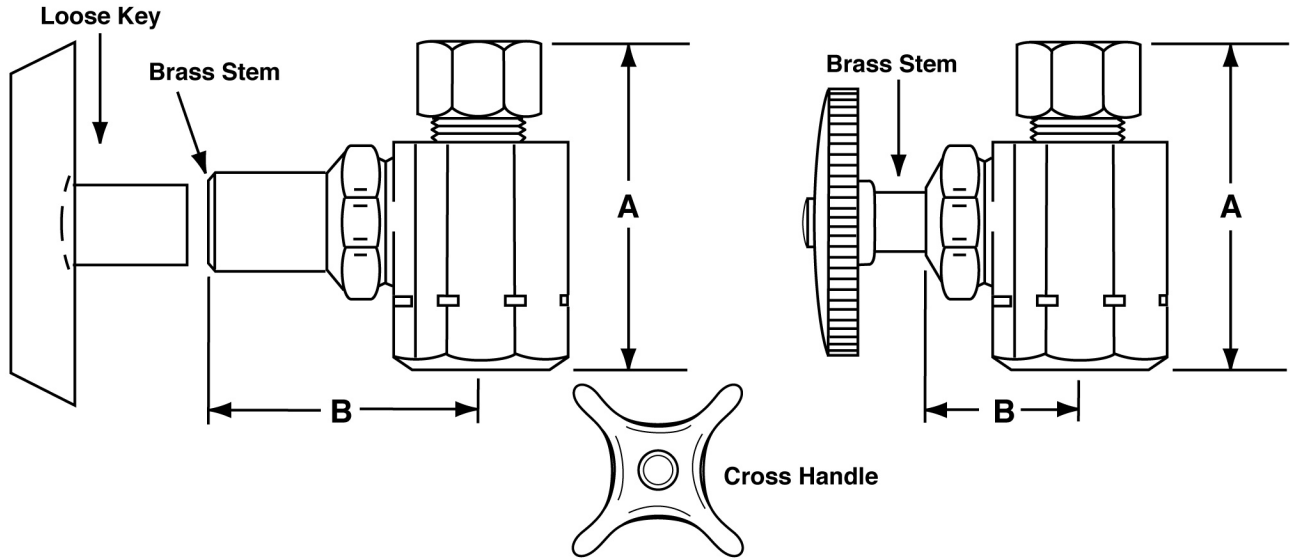
LFST12

**Straight Supply Stop
 I.P.S. x O.D.**

Job Name:

Submittal Number:

Pipe To Compression



| NO. | DESCRIPTION | ROUGHING MEASUREMENTS | |
|--------|-------------------------|-----------------------|------|
| | | A | B |
| LFST12 | 1/2" I.P.S. x 3/8" O.D. | 1-15/16" | 7/8" |

- Rated Operating Pressure: 20-125 PSI
- Rated Operating Temperature: 40-140°F
- Note: 180°F max. during temporary high-temperature system flush

LK designates *Loose Key*

X designates *Heavy Brass Cross Handle*

See options and accessories section for details on product variations.



Specifications:

Chrome plated brass, Supply Valve with full turn brass stem. Inlet shall be (3/8, 1/2) inch (IPS, sweat, compression). Outlet shall be (3/8, 1/2) inch (IPS, compression). Supply stop valve shall be McGuire. Supply stop valve shall be certified by CSA or other recognized testing authority and bear manufacturer and testing mark. Stop to be certified to 200 psi line pressure.



WARNING:

This product can expose you to chemicals including lead, which is known to the State of California to cause cancer, and birth defects or other reproductive harm. For more information go to www.P65Warnings.ca.gov.

CARRIER



FIXTURE SUPPORTS

SPECIFICATION SHEET

Meets ASME Standard A112.6.1M

TAG

Project

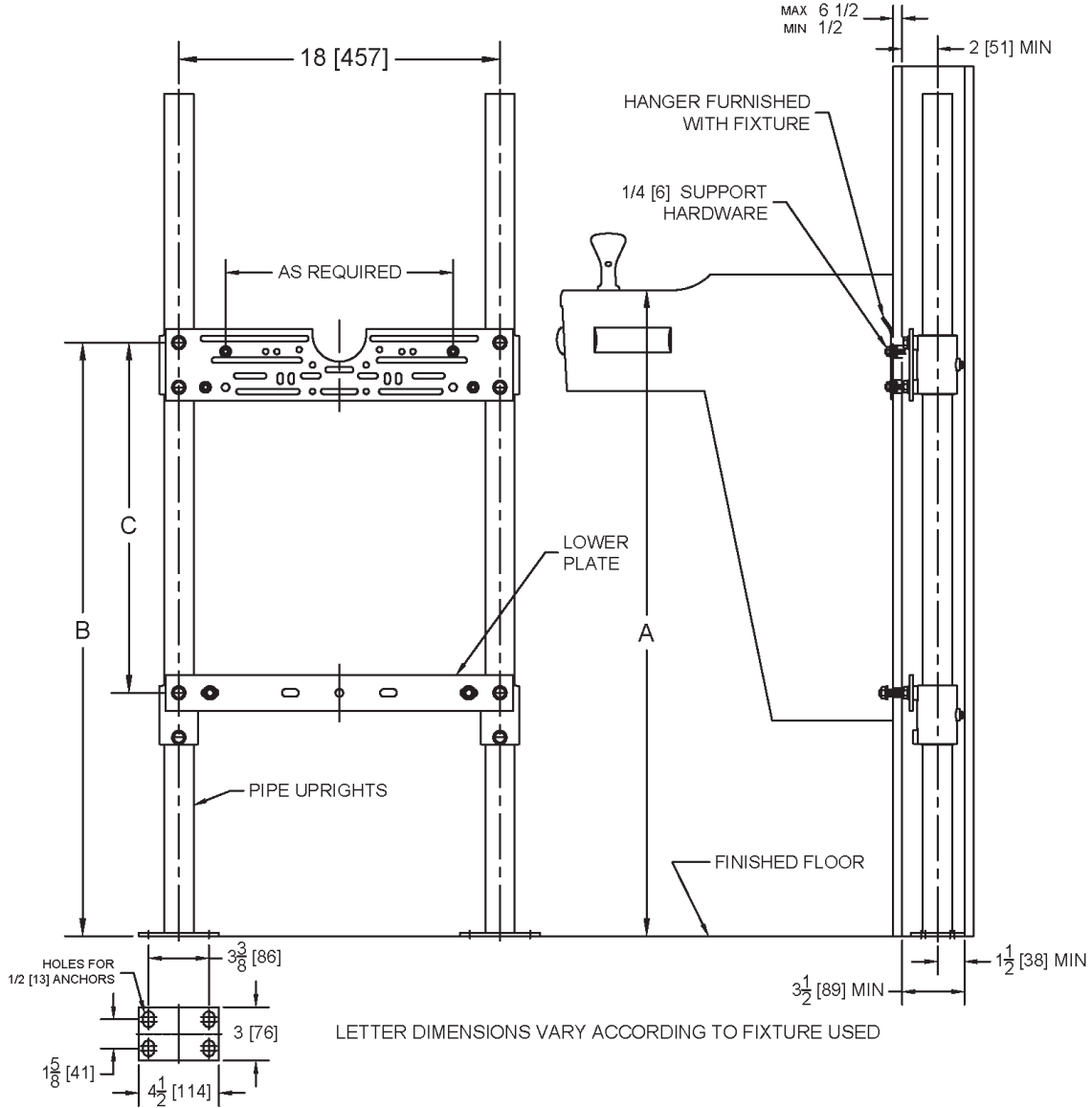
Engineer

Mechanical

403 Wall Mount Water Cooler / Drinking Fountain Support (Plate Style) - Asme Load Rating - Type III 200 Lbs.

Regularly Furnished: Wall mounted water cooler / drinking fountain support provides a rigid system with upper hanger plate and lower support plate. Comes complete with painted cast iron header couplings, universal floor mounted round 47" [1194] long uprights with welded base foot supports, corrosion resistant fixture hanger support studs and hardware.

DIMENSIONS ARE SUBJECT TO MANUFACTURERS TOLERANCE AND CHANGE WITHOUT NOTICE WE CAN ASSUME NO RESPONSIBILITY FOR USE OF SUPERSEDED OR VOID DATA



WARNING: Cancer and Reproductive Harm - www.P65Warnings.ca.gov

| • | Model | Wt. Lbs. [kg] | Style |
|---|----------|---------------|--------------|
| | 403 | 31.0 [14] | Single |
| | 403-D ** | 37.0 [17] | Back-to-Back |

| Suffix Options | | |
|----------------|--|---|
| Suffix | Description | • |
| BL | Bi-Level Water Cooler / Drinking Fountain Support * | |
| BFS | Additional Support for Bottle Filling Station * | |
| LBP | Less Lower Support Plate * | |
| M3 | Vandal Proof Hardware * | |
| M4 | Longer Hardware for Thicker Walls (Specify Wall Thickness) * | |
| M60 | 60" [1524] Long Uprights * | |
| M36 | 2" [51] Square Uprights * | |

* Dimensions vary from illustration. ** Specify Fixture Manufacturer and Model Number on Order. Refer to Carrier Selector for specific dimensions.

| Wade Specification Drainage Operation | | 116 Maple St. • Commerce, TX 75428 | | | Ph: 800-638-9537 | wadedrains.com | |
|---------------------------------------|------|------------------------------------|---------|----------|------------------|----------------|--|
| Drawing Number | W403 | Date | 12-5-22 | C.N. No. | Revision | 0 | |

EWC-2

Murdock is not listed as approved manufacturer. Please confirm this manuf. is acceptable as this product meets/exceeds specs requirements.

murdock[®]
SINCE 1853

WATER COOLERS

A172.8FGVR Series

BASE MODEL A172408S-FG-VR

Barrier Free, 14 Gage Stainless Steel,
Enhanced Vandal Resistance,
Bi-level, Wall Mounted Water Cooler
STANDARD FEATURES

- Child or Adult ADA Compliant (when properly installed)
- 14 gage stainless steel apron, basin and front access panel
- Lead-Free Stainless Steel, anti-rotation, non-squirt bubblers
- 100 mesh inlet strainer
- Vandal resistant screws
- Hanging bracket provided
- Auto-stop allows service of cartridge and strainer without shutting off water supply

SUGGESTED SPECIFICATIONS

Model A172408S-FG-VR is a self-contained, enhanced vandal resistant bi-level pressure water cooler that shall deliver a minimum of **8.0 GPH** (30.3 LPH) of water at 50°F (10°C) cooled from 80°F (26.7°C) inlet water and 90° (32.2°C) ambient. Units shall be activated by chrome plated brass front pushbuttons by using less than 5 pounds of force. Bubblers shall be Lead-Free Stainless Steel with an integrally designed non-squirt feature and operate on a water pressure range of 20-105 psig. **Unit shall be constructed from 14 gage, 304 stainless steel** with an integral drain and the louvers shall have a stainless steel protective screen. Cooling system shall use R-134a refrigerant and be capillary tube controlled. Unit shall be listed by Underwriters Laboratories for both the US and Canada and is to be compliant to ANSI/ASHRAE 18. Unit shall be certified to Public Law 111-380 (NO-LEAD) and NSF/ANSI/CAN 61. Fixture meets ADA, ADA Standing Person, and ADA Child requirements when mounted appropriately. Unit shall be listed by Underwriters Laboratories for both the US and Canada, compliant to the Air Conditioning and Refrigeration Institute Standard 1010.

| Model Number | GPH* | Rated Watts | Full Load Amps | Approx. Shipping Weight |
|----------------|------|-------------|----------------|-------------------------|
| A172408S-FG-VR | 8.0 | 400 | 4.1 | 140 lbs. |

* GPH of 50°F water at 90°F ambient room temperature and 80°F inlet water temperature
Compressor motor operates on 115 Volt / 60 Hz single phase.

Complies with the following standards:



NSF/ANSI/CAN 61

ANSI/ASHRAE 18

⚠ WARNING: Cancer and Reproductive Harm - www.P65Warnings.ca.gov



Model A172408S-FG-VR Shown
PATENT# 10,100,933

Maintenance Advantage[®]
Water Cooler by Murdock Manufacturing

"RATED FOR INDOOR USE ONLY"

MODEL:

(Must Specify)

- A172408S-FG-VR Satin Stainless Finish

OPTIONS:

(Additional costs may apply.)

- RBL Reverse bi-level
 -LOGO Customer Specified Logo / Graphics
 -220V 220 Volt / 50 Hz or 60Hz Compressor

ACCESSORIES:

(Additional costs may apply. Accessory items are packaged separately.)

- CSC3 Concealed Support Carrier
 -WF1 1500-Gallon Capacity Water Filter ¹
 -WF3 3000-Gallon Capacity Water Filter ¹
 -SK9 Cane Detection Skirt for Upper Unit ¹
(Skirt finish provided to match model selected)

NOTES:

1 - Refer to Supplemental Submittal Sheet for Details.

MURDOCK MFG. • 15125 Proctor Avenue • City of Industry, CA 91746 USA
Phone 800-453-7465 or 626-333-2543 • Fax 626-855-4860 • www.murdockmfg.com

Member of
MORRIS GROUP
INTERNATIONAL

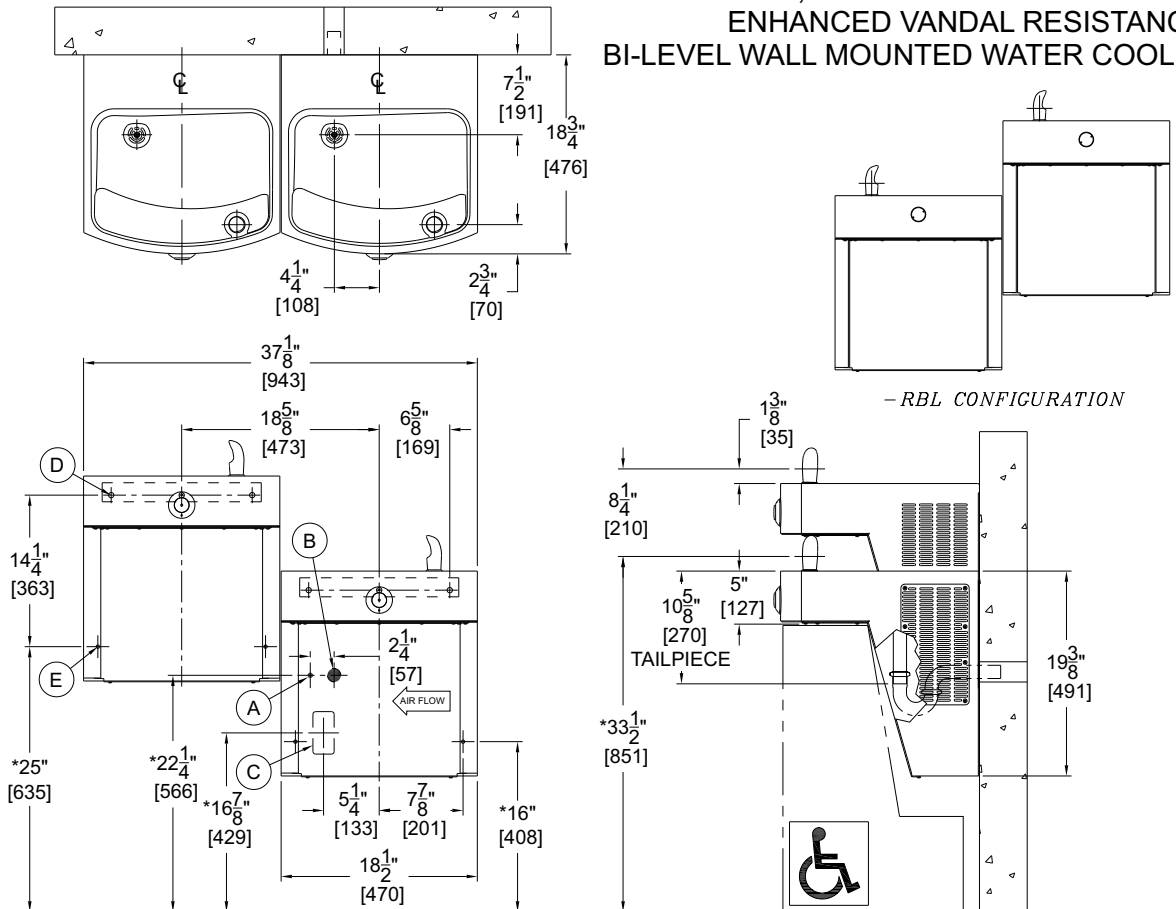
A172.8FGVR

Revised: 02/07/2023



WATER COOLERS

A172.8FGVR Series BASE MODEL A172408S-FG-VR BARRIER FREE, 14 GAGE STAINLESS STEEL, ENHANCED VANDAL RESISTANCE, BI-LEVEL WALL MOUNTED WATER COOLER



- RBL CONFIGURATION

GENERAL NOTES:

1. ALL DIMENSIONS ARE IN INCHES [MM]
 2. ALLOW 4 INCHES [102 MM] MINIMUM CLEARANCE PER SIDE FOR VENTILATION
 - *3. DIMENSIONS SHOWN ARE FOR RECOMMENDED ADULT HEIGHT. ADJUST VERTICAL DIMENSIONS AS NECESSARY TO COMPLY WITH FEDERAL, STATE, & LOCAL CODES
 4. STOP VALVE, P-TRAP, & ELECTRICAL OUTLET NOT SUPPLIED
 5. IMPORTANT: COOLERS MUST BE ATTACHED TO WALL WITH APPROPRIATE WALL ANCHOR SCREWS
- A. 3/8" NCT SUPPLY INLET
 - B. WASTE OUTLET FOR 1-1/4" P-TRAP BY OTHERS
 - C. ELECTRICAL SERVICE ROUGH
 - D. Ø3/8" HANGER BRACKET PUNCHING, 3 PLACES FOR ANCHORING HARDWARE BY OTHERS
 - E. Ø1/4" PUNCHING, 2 PLACES FOR ANCHORING HARDWARE BY OTHERS

IMPORTANT: Dimensions are shown for reference only. Refer to product Installation Manual for complete details prior to Rough-in.

| | | | |
|---|--|----------------|--|
| SELECTION SUMMARY & APPROVAL FOR MANUFACTURING | Model Number & Options _____ | Quantity _____ | All dimensions are subject to manufactures tolerance of plus or minus 1/2" nominal and subject to change without notice. Murdock assumes no responsibility for use of void or superseded data. Dimensions may change with the addition of optional accessories. Murdock Mfg.™, Member of Morris Group International™. Please visit www.murdockmfg.com for most current specifications. |
| | Company _____ | | |
| | Contact _____ | Title _____ | |
| | Signature (Approval for Manufacturing) _____ | Date _____ | |

MURDOCK MFG. • 15125 Proctor Avenue • City of Industry, CA 91746 USA
Phone 800-453-7465 or 626-333-2543 • Fax 626-855-4860 • www.murdockmfg.com





McGuire Manufacturing Co., Inc.

60 Grandview Court
 Cheshire, Connecticut 06410
 (203) 699-1801 Fax (203) 699-1813
 customerservice@mcguiremfg.com mcguiremfg.com

PRODUCT SPECIFICATION

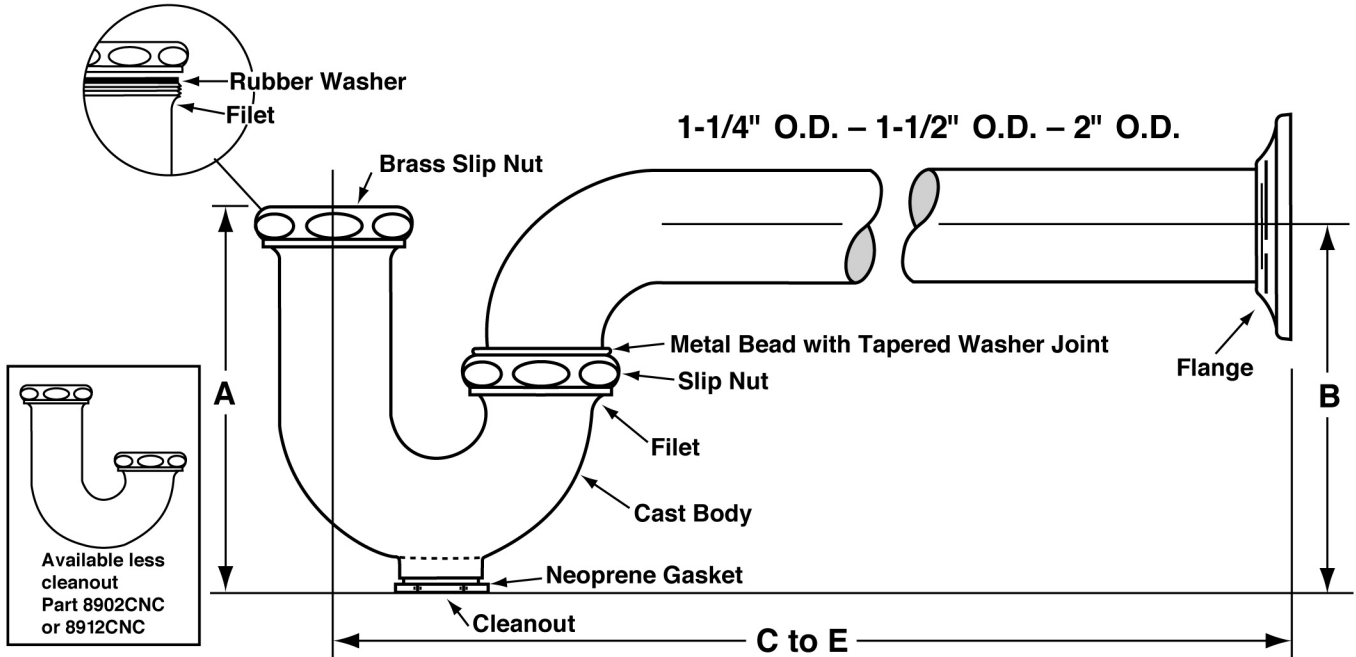
Part No.

8872C

**Cast Body P-Trap
 With or Without Cleanout**

Job Name:

Submittal Number:



PROFESSIONAL LINE

ROUGHING MEASUREMENTS

| NO. | TRAP DIMENSIONS | | A | B | C to E |
|-------|-----------------|--------|--------|--------|---------|
| | INLET | OUTLET | | | |
| 8872C | 1-1/4" | 1-1/4" | 4-1/2" | 4-1/4" | 11-1/2" |

- Rated Operating Temperature: 40-140°F
- Note: 180°F max. during temporary high-temperature system flush

**FED SPEC W.W.P. 541
 CAST BRASS P TRAP
 MINIMUM SEAL 2"**



See options and accessories section for details on product variations.

ASME A112.18.2/CSA B125-2

Specifications:

P-Trap shall be chrome plated cast brass body (with, without) cleanout, with 17 gauge seamless tubular wall bend, cast brass slip nuts. Reducing washers shall be used with reducing cast brass nut. With (shallow, deep, bell) (steel, brass) or (forged brass with set screw) flange.

P-Trap shall be McGuire "Classic" Professional Line

Trap shall be certified by CSA or other recognized testing authority. Trap shall bear manufacturer and testing marks.

! WARNING:

This product can expose you to chemicals including lead, which is known to the State of California to cause cancer, and birth defects or other reproductive harm. For more information go to www.P65Warnings.ca.gov.



McGuire Manufacturing Co., Inc.

60 Grandview Court
 Cheshire, Connecticut 06410
 (203) 699-1801 Fax (203) 699-1813
 customerservice@mcguiremfg.com mcguiremfg.com

PRODUCT SPECIFICATION

Part No.

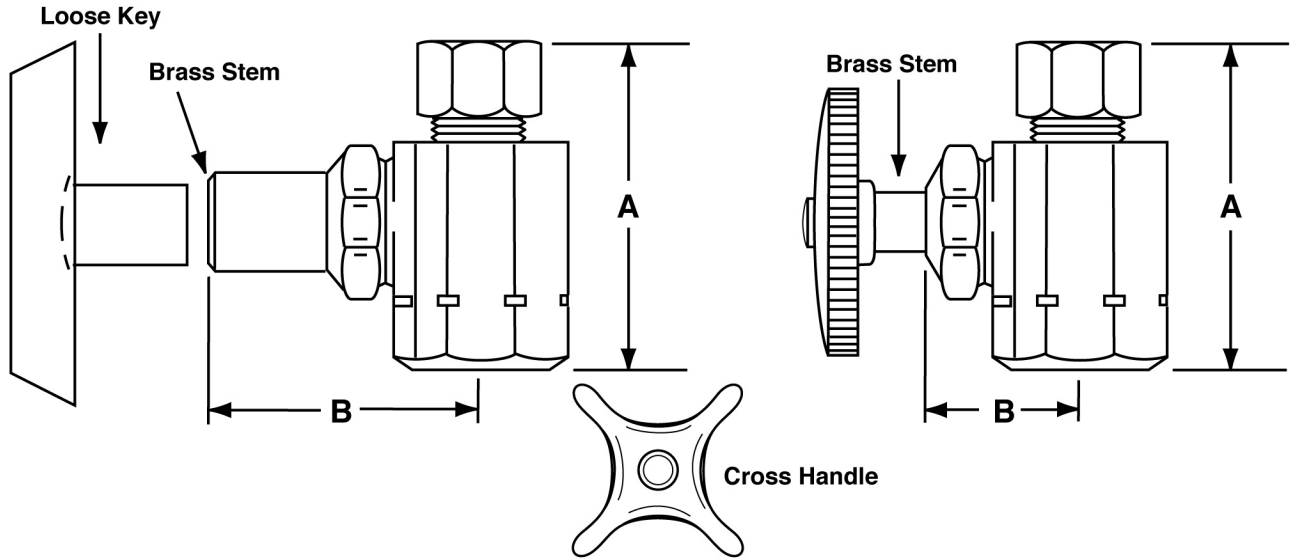
LFST12

**Straight Supply Stop
 I.P.S. x O.D.**

Job Name:

Submittal Number:

Pipe To Compression



| NO. | DESCRIPTION | ROUGHING MEASUREMENTS | |
|--------|-------------------------|-----------------------|------|
| | | A | B |
| LFST12 | 1/2" I.P.S. x 3/8" O.D. | 1-15/16" | 7/8" |

- Rated Operating Pressure: 20-125 PSI
- Rated Operating Temperature: 40-140°F
- Note: 180°F max. during temporary high-temperature system flush

LK designates *Loose Key*

X designates *Heavy Brass Cross Handle*

See options and accessories section for details on product variations.



Specifications:

Chrome plated brass, Supply Valve with full turn brass stem. Inlet shall be (3/8, 1/2) inch (IPS, sweat, compression). Outlet shall be (3/8, 1/2) inch (IPS, compression). Supply stop valve shall be McGuire. Supply stop valve shall be certified by CSA or other recognized testing authority and bear manufacturer and testing mark. Stop to be certified to 200 psi line pressure.



WARNING:

This product can expose you to chemicals including lead, which is known to the State of California to cause cancer, and birth defects or other reproductive harm. For more information go to www.P65Warnings.ca.gov.

CARRIER



FIXTURE SUPPORTS

SPECIFICATION SHEET

Meets ASME Standard A112.6.1M

TAG

Project

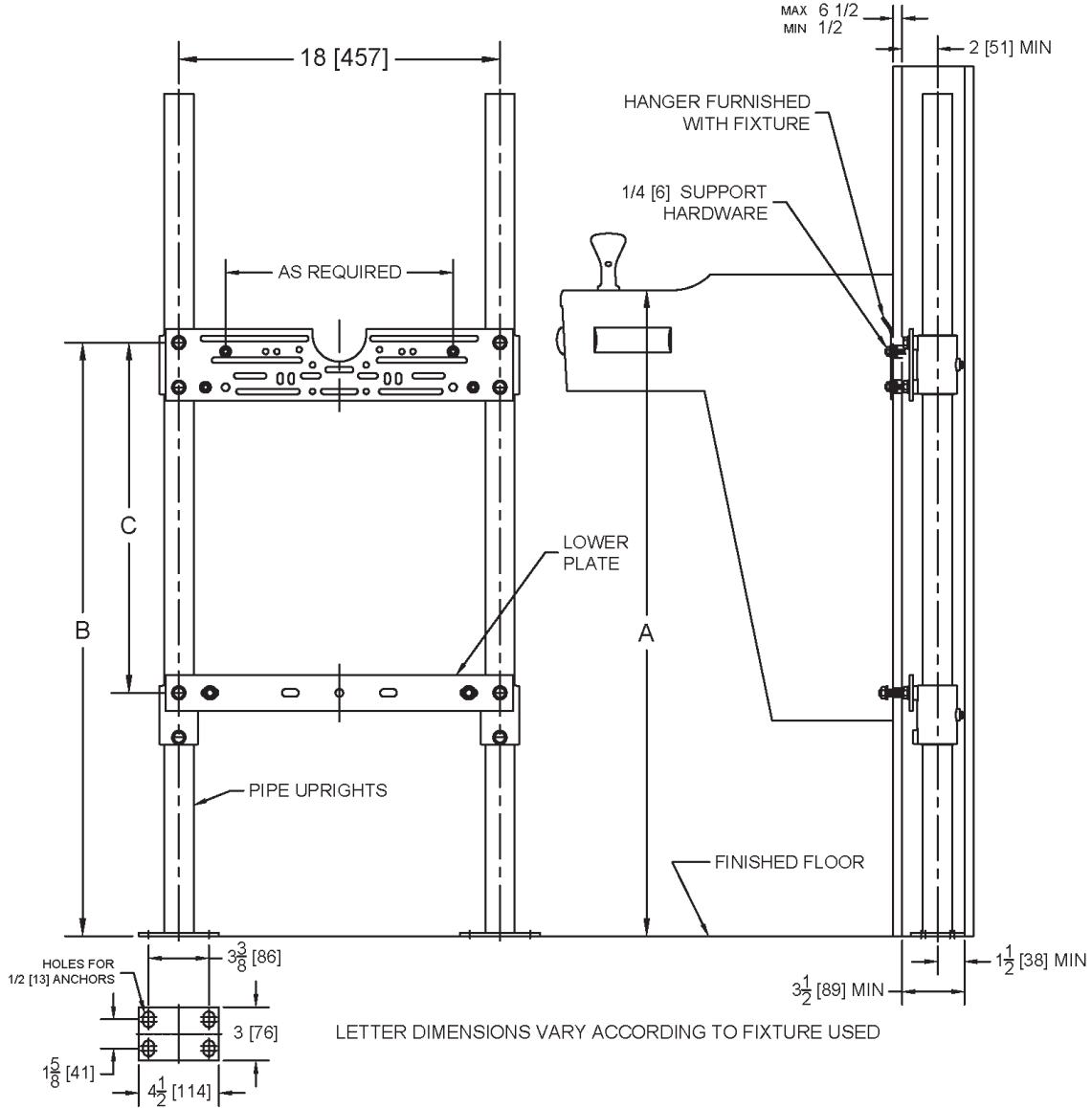
Engineer

Mechanical

403 Wall Mount Water Cooler / Drinking Fountain Support (Plate Style) - Asme Load Rating - Type III 200 Lbs.

Regularly Furnished: Wall mounted water cooler / drinking fountain support provides a rigid system with upper hanger plate and lower support plate. Comes complete with painted cast iron header couplings, universal floor mounted round 47" [1194] long uprights with welded base foot supports, corrosion resistant fixture hanger support studs and hardware.

DIMENSIONS ARE SUBJECT TO MANUFACTURERS TOLERANCE AND CHANGE WITHOUT NOTICE WE CAN ASSUME NO RESPONSIBILITY FOR USE OF SUPERSEDED OR VOID DATA



⚠ WARNING: Cancer and Reproductive Harm - www.P65Warnings.ca.gov

| • | Model | Wt. Lbs. [kg] | Style |
|---|----------|---------------|--------------|
| | 403 | 31.0 [14] | Single |
| | 403-D ** | 37.0 [17] | Back-to-Back |

| Suffix Options | | |
|----------------|--|---|
| Suffix | Description | • |
| BL | Bi-Level Water Cooler / Drinking Fountain Support * | |
| BFS | Additional Support for Bottle Filling Station * | |
| LBP | Less Lower Support Plate * | |
| M3 | Vandal Proof Hardware * | |
| M4 | Longer Hardware for Thicker Walls (Specify Wall Thickness) * | |
| M60 | 60" [1524] Long Uprights * | |
| M36 | 2" [51] Square Uprights * | |

* Dimensions vary from illustration. ** Specify Fixture Manufacturer and Model Number on Order. Refer to Carrier Selector for specific dimensions.

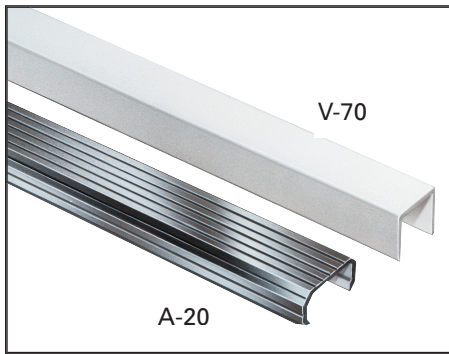
| Wade Specification Drainage Operation | | 116 Maple St. • Commerce, TX 75428 | | | Ph: 800-638-9537 | | wadedrains.com | |
|---------------------------------------|------|------------------------------------|---------|----------|------------------|----------|----------------|--|
| Drawing Number | W403 | Date | 12-5-22 | C.N. No. | | Revision | 0 | |

JS-1

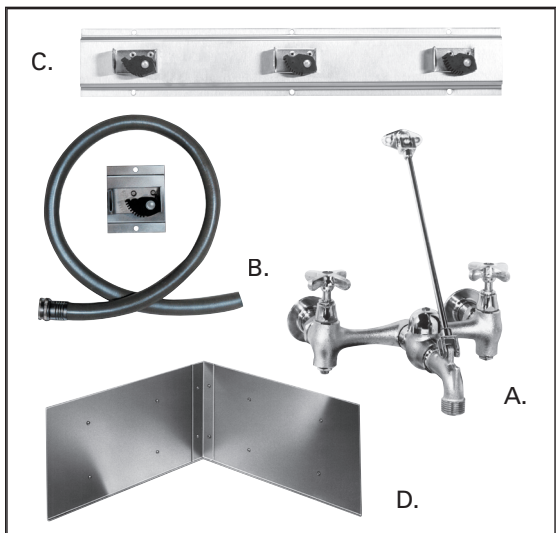
Model No. () Size (), as manufactured by Stern-Williams Co., Inc. Shoulders shall not be less than 8" high inside measurement, and not less than 1-1/4" wide. Drain shall be cast brass with stainless steel strainer cast integral and shall provide for a caulked lead connection not less than 1" deep to a 3" pipe. Receptor composed of pearl grey marble chips and white Portland cement ground smooth, grouted and sealed to resist stains.

An optional anodized extruded aluminum or vinyl bumper guard is offered for exposed sides. Cap to be attached on the job.

STERN
WILLIAMS
MTB®
ARCHITECTURAL
SPECIFICATIONS



| MODEL | SIZE | ALUMINUM OR VINYL CAP FOR EXPOSED SIDES | | |
|--|---|---|---|---|
| MTB SQUARE BASIN | | | | |
| <input checked="" type="checkbox"/> MTB-2424 | 24"x24"x10" | <input type="checkbox"/> CAP ON 1 SIDE | <input type="checkbox"/> CAP ON 2 SIDES | <input type="checkbox"/> CAP ON 3 SIDES |
| MTB RECTANGULAR BASIN | | | | |
| <input type="checkbox"/> MTB-3624 | 36"x24"x10" | <input type="checkbox"/> CAP ON 1 SIDE | <input type="checkbox"/> CAP ON 2 SIDES | <input type="checkbox"/> CAP ON 3 SIDES |
| A-20 | Aluminum bumper guards | | | |
| V-70 | Vinyl bumper guards | | | |
| -SS | Stainless steel caps, cast integral during production | | | |

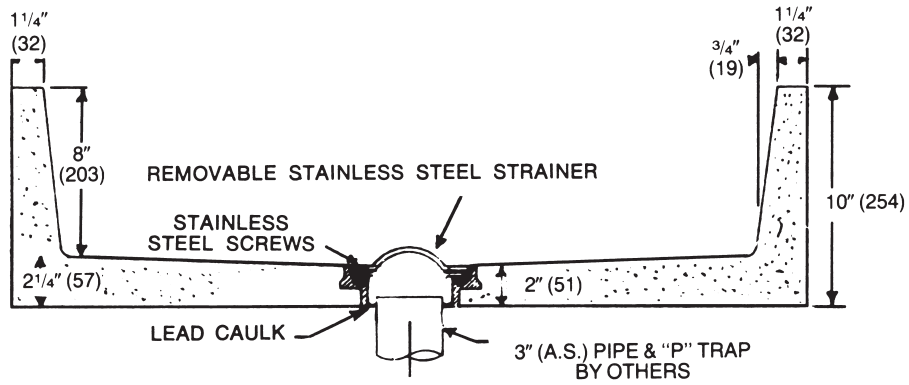


QUALITY OPTIONAL FITTINGS

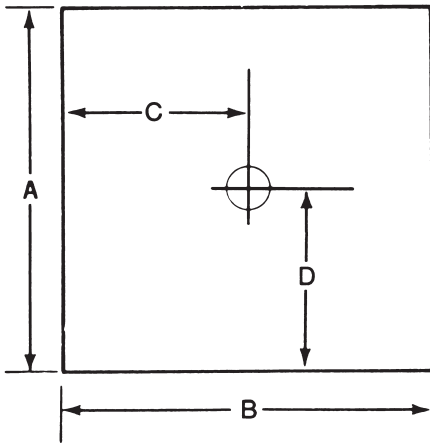
- A. **T-10-VB** Mop-Service sink fitting with vacuum breaker, adjustable top brace, 3/4" hose thread on spout with bucket hook inlets 8" on center, chrome finish.
- T-15 VB** same as above with polished chrome finish.
- B. **T-35** Hose and wall hook. Hose 36" long, with 3/4" chrome couplings. Wall bracket of stainless steel.
- C. **T-40** Stainless Steel Mop Hanger of stainless steel with #4 finish. . . 24" long, with 3 rubber spring loaded grips.
- D. **BP** Splash Catcher Panels of 20 ga. type 304 stainless steel.

JOB ARCHITECT
LOCATION ENGINEER

CROSS SECTION

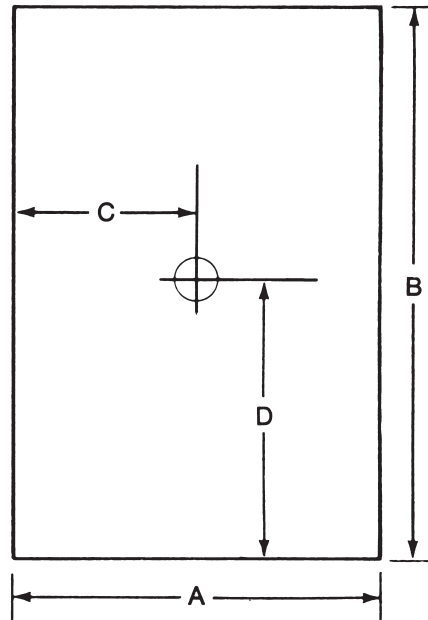


ROUGH-IN



MTB SQUARE BASIN

| MODEL | SIZE | A | B | C | D |
|----------|-----------------|-----|-----|-----|-----|
| MTB-2424 | Inches 24x24x10 | 24 | 24 | 12 | 12 |
| MTB-2424 | MM 610x610x250 | 610 | 610 | 305 | 305 |



MTB RECTANGULAR BASIN

| MODEL | SIZE | A | B | C | D |
|----------|-----------------|-----|-----|-----|-----|
| MTB-3624 | Inches 36x24x10 | 24 | 36 | 12 | 18 |
| MTB-3624 | MM 915x610x250 | 610 | 915 | 305 | 457 |

Note: All dimensions subject to manufacturing variance of plus or minus 1/4" (6 MM).

Wallmount Service Sink Faucets

TECK[®]
COMMERCIAL

DELTA[®]

SPECIFICATION: (EXAMPLE)

- **CAST BRASS** wallmount service sink faucet
- Two handle
- Integral stops
- **Rough chrome plated finish**
- Pail hook
- Inline vacuum breaker
- Hose-end spout
- Wall brace
- Color indexed metal cross handles

28T9

203mm (8") centers

28T9-AC

140mm (5.5") to 267mm (10.5") adjustable centers

28T9



Engineer/Architect Approval

Model Specified:

Approval:

Date:

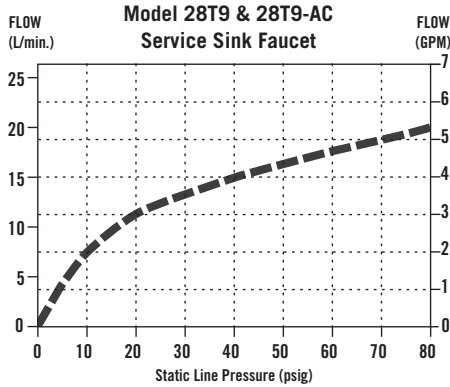


APPROVALS:

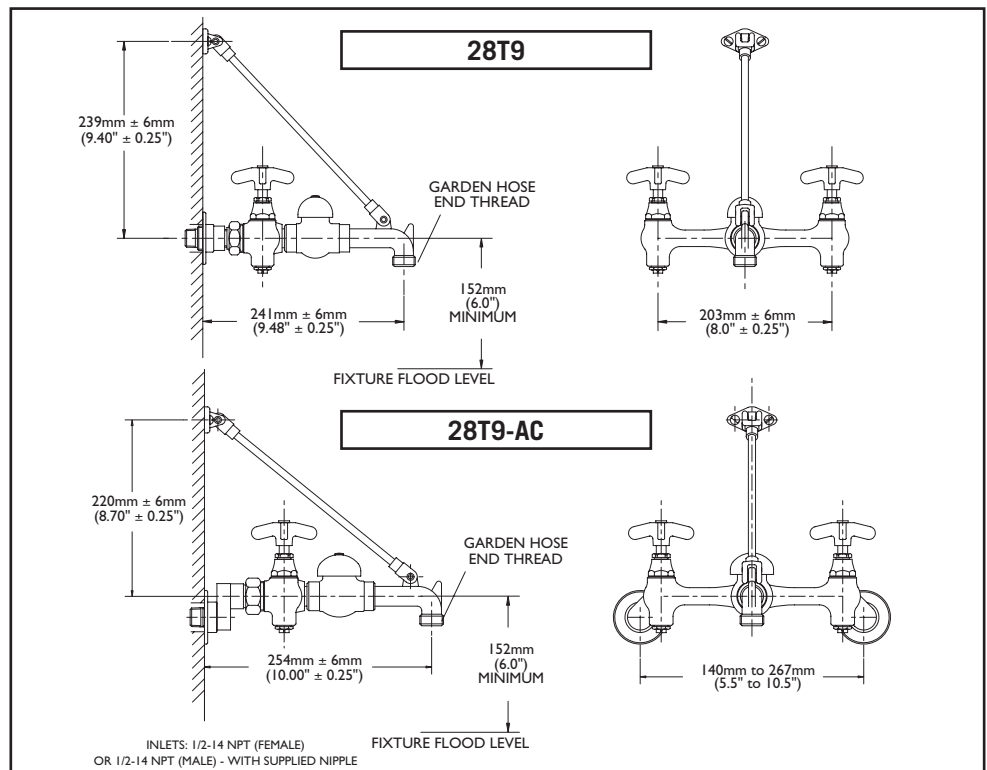
- Certified to ASME A112.18.1/CSA B125.1 including integral back siphonage protection compliant with CSA B64.1.1 and ASSE 1001

Not for potable water.

FLOW RATE vs PRESSURE



NOTE: Flow shown is through one side only, full open.



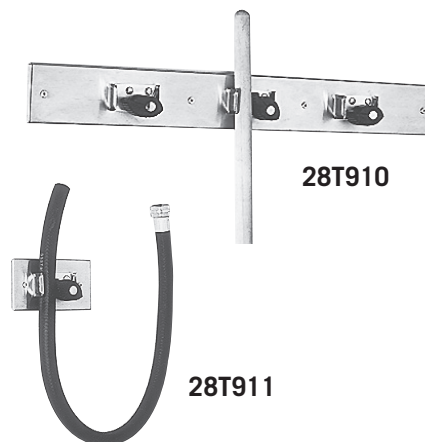
HOSE AND MOP HOLDER ACCESSORIES

28T910

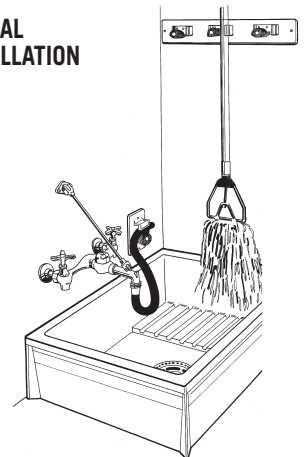
- Stainless steel mop hanger
- 76mm x 660mm (3" x 26")
- Three spring loaded rubber grip holders.

28T911

- Heavy duty 1219mm (48") long reinforced hose
- Brass coupling
- Stainless steel hanger bracket
- 76mm x 127mm (3" x 5") with rubber grip.



TYPICAL INSTALLATION



Note: Measurements may vary ± 6mm (0.25")

Refer to www.specselect.com for individual models.

Note: Use this page as a product submittal sheet.

SW *Splash Catcher*[®] BACK PANELS

Avoid complaints about damaged
or deteriorating wallboard.

Add "BP" to your mop sink specifications.

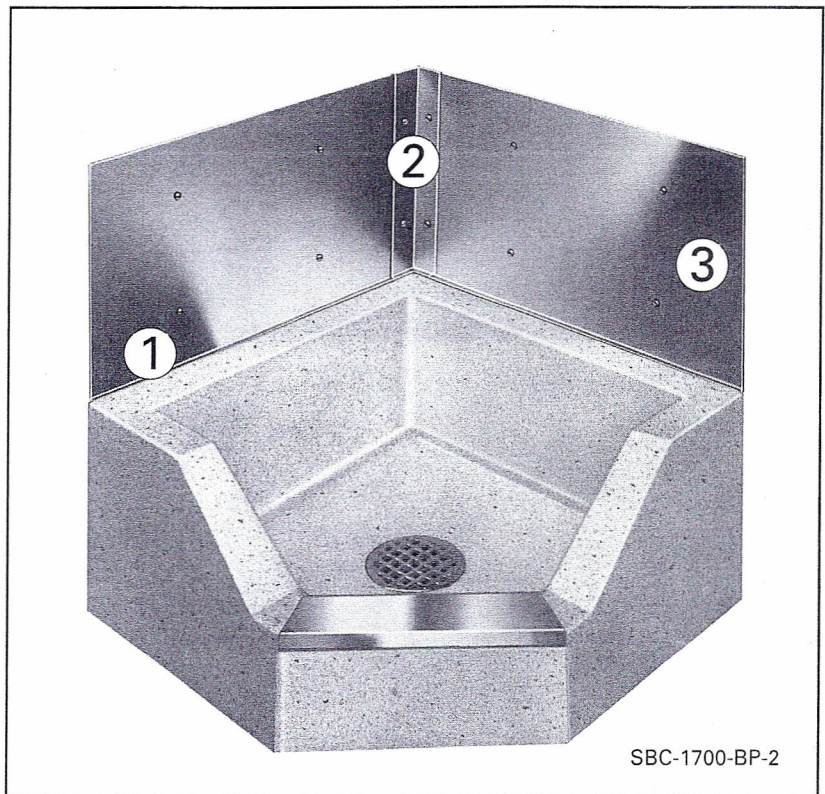
STERN-WILLIAMS
Stainless Steel panels
cover the critical
12 inches of wallboard
just above the mop sink.

The unfinished wallboard being used
in maintenance closets today
cannot withstand the conditions
that exist there. But you can
prevent problems before they begin.

TO SPECIFY:

Add suffix "BP" to the Stern-Williams
model number, along with the number of
walls. For example, Corlow corner model
with front drop is "SBC-1700-BP-2"

Panel material is type 304, 20-gauge
Stainless Steel, meeting Commercial
Standard CS-243-62.



1. Channel water into the mop sink, protecting the face of the wallboard against splashing, and protecting the raw lower edge against seepage.
2. Cover and protect the seam-taped corners, preventing loosening and curling of seam tape.
3. Protect wallboard against the impact of equipment and the carelessness of maintenance workers.

Stern-Williams is your most complete source for mop sinks and accessories.

• We produce mop sinks. We help you avoid problems.

STERN-WILLIAMS CO., INC. • P.O. Box 8004 • Shawnee Mission, Kansas 66208 USA
Telephone: (913) 362-5635 • Fax: (913) 362-6689 • Web address: www.sternwilliams.com