

*Quality People. Building Solutions.*

Comfort Systems USA (Arkansas), Inc.  
P.O. Box 16620  
Little Rock, AR 72231  
Phone 501-834-3320  
Fax 501-834-5416

**Date:** 1/17/2024

**Return Request:** 1/27/2024

**Project:** Academies of Math & Science Little Rock

**Supplier:** Dollar Sheet Metal

**Manufacturer:** Various

**Submittal:** Dampers

**Submittal Number:** 23 00 00-13

**Drawing # and Installation:** Mechanical Drawings

**ARCHITECT**

Lewis Architects Engineers  
11225 Huron Lane, Suite 104  
Little Rock, AR 72211  
501-223-9302

**ENGINEER**

Lewis Architects Engineers  
11225 Huron Lane, Suite 104  
Little Rock, AR 72211  
501-223-9302

**GENERAL CONTRACTOR**

Clark Contractors  
15825 Cantrell Rd.  
Little Rock, AR 72223  
501-223-9302

**MECHANICAL SUBCONTRACTOR**

Comfort Systems USA (Arkansas), Inc.  
9924 Landers Rd.  
N. Little Rock, AR 72117  
501-834-3320

Notes:

**CSUSA PROJECT NO.**

**23-1028**

[jon@comfortar.com](mailto:jon@comfortar.com)

9924 Landers Rd.  
No. Little Rock, AR 72117

# Dace Mfg.

orders@dacemfg.co

SUBMITTAL

Feb 2015

## ROUND MANUAL BALANCE DAMPER

MODEL: RMBD CO3

### Purpose Description:

The round manual balancing damper is used to regulate air flow in pipe.

### CONSTRUCTION:

**BARREL:** (B) 6" long, beaded & tapered.

**ALL DIAMETERS:** (A) sized 1/8" under nominal

### BODY MATERIAL:

26 gauge standard

### OPTIONS:

24 gauge steel

22 gauge steel

SS 304

### DAMPER BLADES:

26 gauge standard

### OPTIONS:

24 GA,

22 GA steel,

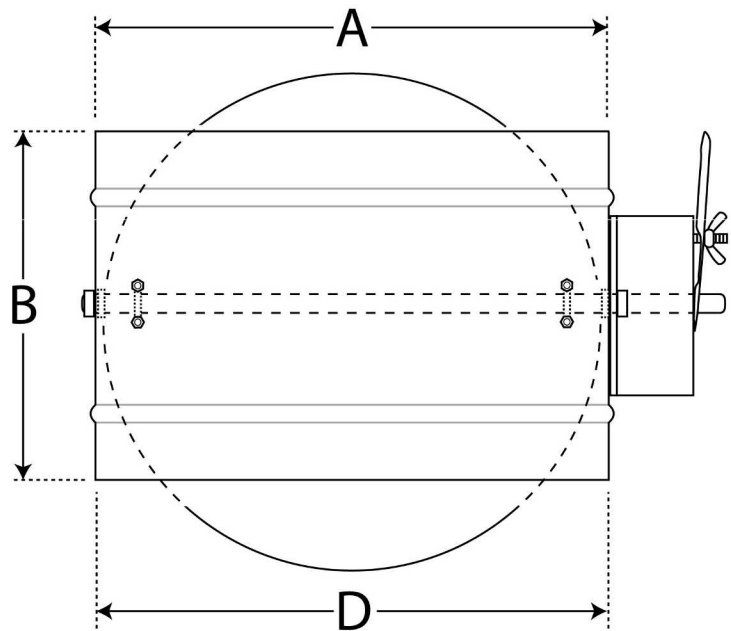
20 gauge—16 gauge steel

SS 304

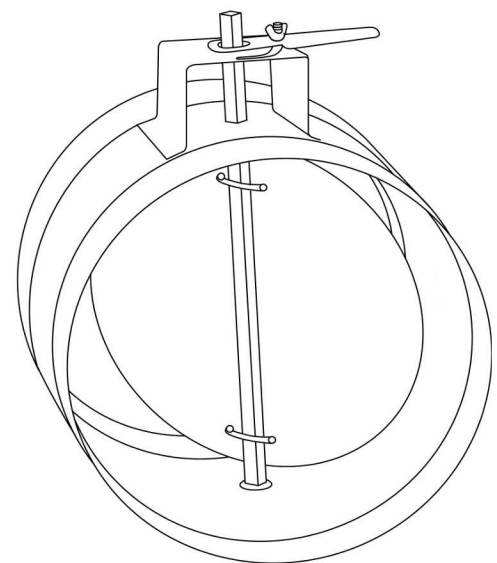
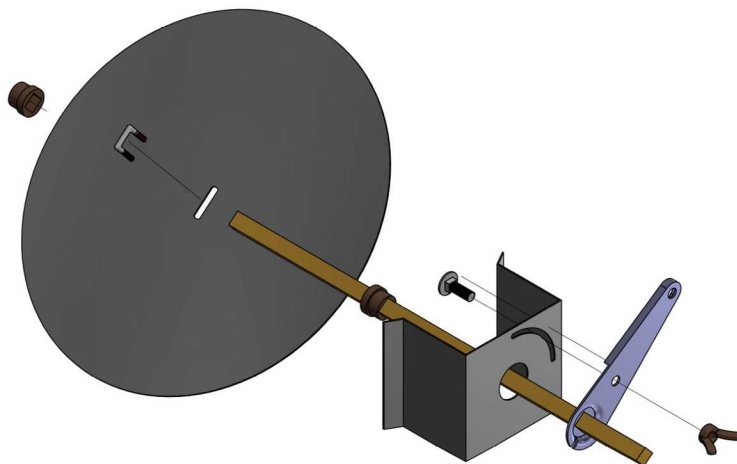
### DAMPER CONTROL:

CO3 - 2" raised handle, locking quadrant, 3/8" square continuous rod, 'U' bolts, nylon bearings

All stainless steel option



## RMBD-CO3



# Dace Mfg.

orders@dacemfg.co

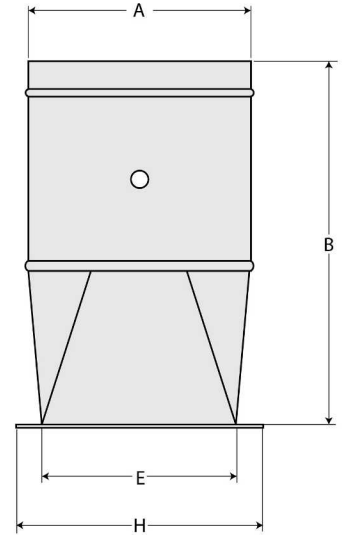
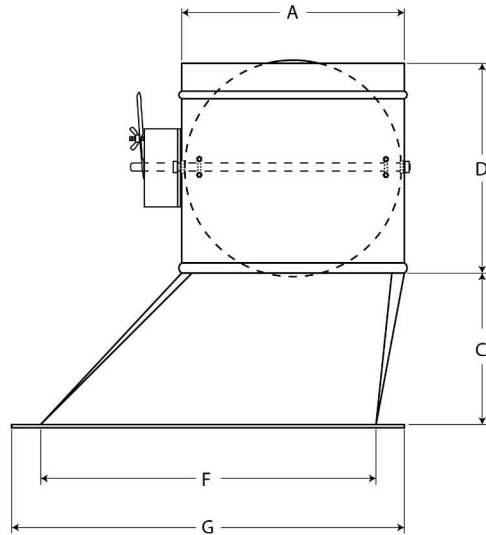
SUBMITTAL

Feb 2016

SIDE TAKEOFF FITTING w DAMPER

MODEL: STOD CO3

## HIGH EFFICIENCY TAKEOFF



SIZE	A	B	C	D	E	F	G	H
5	4 7/8	12	6	6	5	9	11	7
6	5 7/8	12	6	6	5	9	11	7
7	6 7/8	12	6	6	6	11	13	8
8	7 7/8	12	6	6	6	12	14	8
9	8 7/8	12	6	6	7	13	15	9
10	9 7/8	12	6	6	8	14	16	10
12	11 7/8	12	6	6	10	16	18	12
14	13 7/8	12	6	6	12	18	20	14
16	15 7/8	12	6	6	14	20	22	16
18	17 7/8	12	6	6	16	22	24	18
20	19 7/8	12	6	6	18	24	26	20

### STANDARD CONSTRUCTION DETAILS

- 26 gauge G90/60 corrosion resistant steel
- 1" flange with die formed corners & pre punched mounting holes
- entire unit is spot welded, SMACNA 3" WG minimum
- adhesive coated rubber perimeter gasket
- CO3 damper control: a 2" raised locking quadrant, 3/8" sq. axle, nylon bearings, fastened to the damper with U bolts.

### OPTIONS IN CONSTRUCTION

- material 24 ga, 22 ga galvanized steel,
- all aluminum or all stainless steel