

Quality People. Building Solutions.

Comfort Systems USA (Arkansas), Inc.
P.O. Box 16620
Little Rock, AR 72231
Phone 501-834-3320
Fax 501-834-5416

Date: 1/17/2024

Return Request: 1/27/2024

Project: Academies of Math & Science Little Rock

Supplier: Airetech

Manufacturer: Greenheck

Submittal: Exhaust Fans

Submittal Number: 23 00 00-07

Drawing # and Installation: Mechanical Drawings

ARCHITECT

Lewis Architects Engineers
11225 Huron Lane, Suite 104
Little Rock, AR 72211
501-223-9302

ENGINEER

Lewis Architects Engineers
11225 Huron Lane, Suite 104
Little Rock, AR 72211
501-223-9302

GENERAL CONTRACTOR

Clark Contractors
15825 Cantrell Rd.
Little Rock, AR 72223
501-223-9302

MECHANICAL SUBCONTRACTOR

Comfort Systems USA (Arkansas), Inc.
9924 Landers Rd.
N. Little Rock, AR 72117
501-834-3320

Notes:

CSUSA PROJECT NO.

23-1028

jon@comfortar.com

9924 Landers Rd.
No. Little Rock, AR 72117

SUBMITTAL

Job Name: **Academics of Math and Sciences LR EQ**

Architect: Lewis Architects Engineers

Engineer: Lewis Architects

Consultant: Dan Allison

Contractor: Comfort Systems USA

Elevation: (ft) 256

Date: 1/11/2024

Submitted By: Nick Moore

AIRETECH CORPORATION - 2364

7631 NORTHSORE PL

NORTH LITTLE ROCK, AR 72118

US

Phone: (501)280-0404

Fax:

Email Address: forrest@airetechcorp.com



P.O. Box 410 Schofield, WI 54476 (715) 359-6171 FAX (715) 355-2399 www.greenheck.com

Model: SP-A250

Ceiling Exhaust Fan

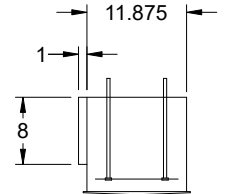
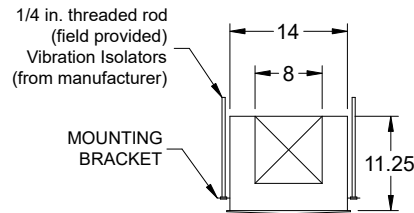
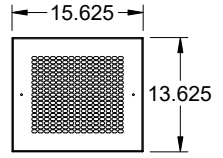
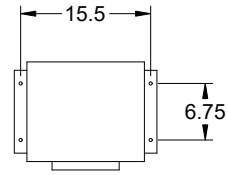
Tags: EF-1 EF-2 EF-6 EF-7

Standard Construction Features:

- Corrosion resistant galvanized steel scroll and housing - Sound absorbing insulation - White designer non-yellowing grille - Rectangular outlet duct collar with integral spring loaded backdraft damper - Double inlet forward curved wheel - Plug type disconnect - Adjustable mounting brackets - Field rotatable discharge

Selected Options & Accessories:

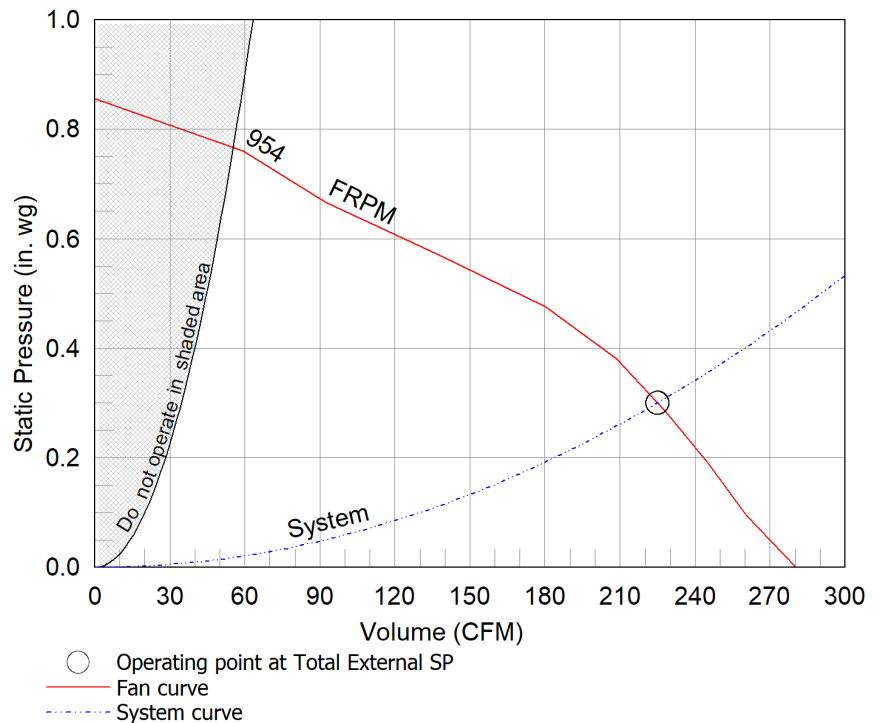
Motor rated for continuous use
Motor with Thermal Overload
Motor with CSA Approval
Motor with 40 Degree C Ambient Temperature
UL/cUL 507 Listed - Electric Fan
Solid State Speed Control, 6 Amp, Mounted and Wired Internally
Isolation Kit, (PN: VI KIT-SP/CSP), Shipped Loose
Adjustable easy installation mounting bracket
Energy Star Certified
Aluminum Grille, (PN: 486006) Shipped Loose
Polypropylene Wheel Material
Can Be Used to Comply with: ASHRAE 62.2, California Title 24, and Washington State Energy Code



Dimensional	
Quantity	4
Weight w/o Acc's (lb)	24
Weight w/ Acc's (lb)	27

Performance	
Requested Volume (CFM)	225
Actual Volume (CFM)	225
Total External SP (in. wg)	0.3
Fan RPM	954
* FLA (A)	0.56
Elevation (ft)	256
Airstream Temp.(F)	70
Air Density (lb/ft3)	0.074
Sones	2.5

Motor	
Motor Mounted	Yes
** Input Watts (W)	83
Voltage/Cycle/Phase	115/60/1
Enclosure	ODP



Notes:

All dimensions shown are in units of in.
*FLA is approximate and will vary slightly with the motor.
Sones - calculated using AMCA 301 at 5 ft
** Wattage is approximate and may vary between motors.

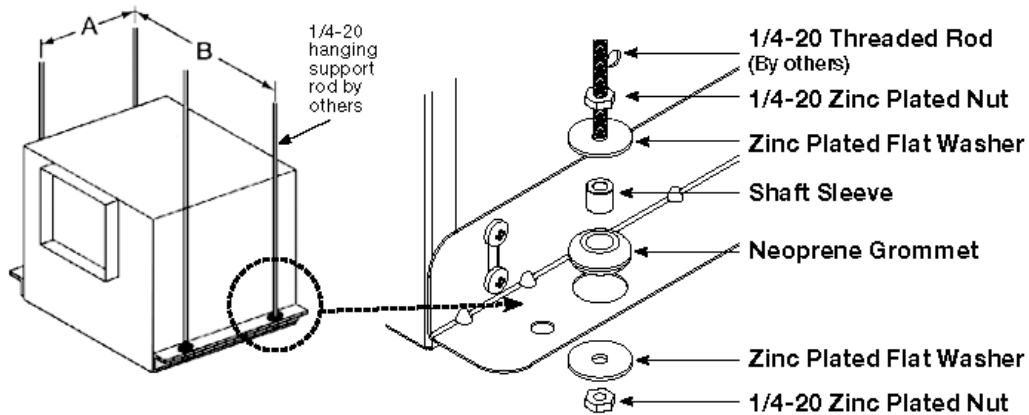


Isolation Kit

Type: Hanging

Standard Construction Features:

- Neoprene vibration isolation for hanging installation - Kit includes four isolators and all hardware necessary for mounting one unit except for the 0.25 in. x 20 in. threaded rod to be supplied by others - Fan mounting brackets include prepunched mounting holes for ease of installation



Unit Size	A	B
B50-B200	4 1/2 (114)	15 5/8 (397)
A50-A190	5 1/2 (140)	14 5/8 (371)
A200-A390	6 3/4 (171)	15 1/2 (394)
A410, A510, A710, A780	9 1/4 (235)	19 5/8 (498)
A700	5 1/2 (140)	25 1/8 (638)
A900 - A1050, A1410 - A1550	9 1/4 (235)	25 3/8 (645)
A1750, A2150	9 1/4 (235)	36 3/4 (933)
A3600	9 1/4 (235)	48 5/8 (1235)
All dimensions shown in inches (millimeters).		

Description	Qty
Neoprene Grommets	4
1 x 32 Zinc Plated Nuts	8
Zinc Plated Flat Washers	8
3/8 x 3/16 Shaft Sleeves	4

Model: SP-B110

Ceiling Exhaust Fan

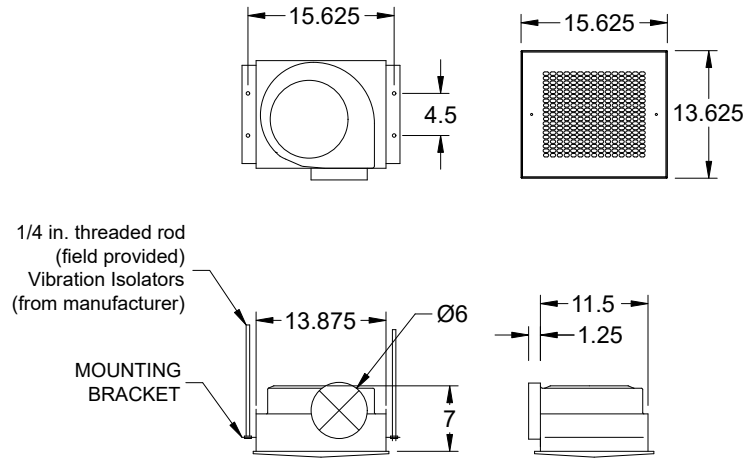
Tags: EF-3 EF-5 EF-8 EF-9 EF-10 EF-15 EF-18 EF-20 EF-21 EF-22 EF-23 EF-24 EF-25

Standard Construction Features:

- Corrosion resistant galvanized steel scroll and housing - White designer non-yellowing grille - Round outlet duct collar with integral backdraft damper - Single inlet forward curved wheel - Plug type disconnect - Adjustable mounting brackets

Selected Options & Accessories:

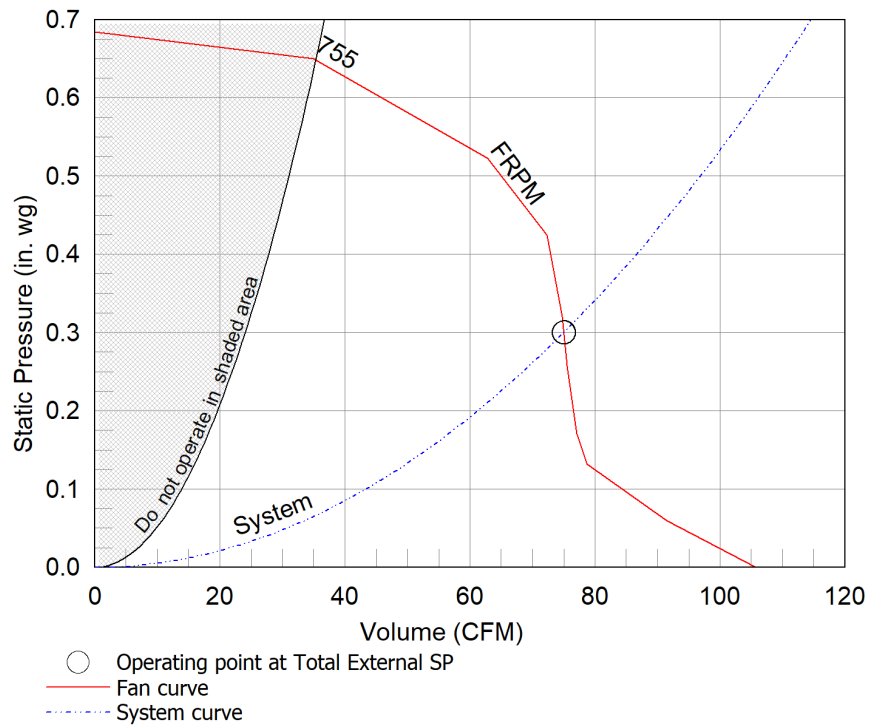
- Motor rated for continuous use
- Motor with Thermal Overload
- Motor with CSA Approval
- Motor with 40 Degree C Ambient Temperature
- UL/cUL 507 Listed - Electric Fan
- Solid State Speed Control, 6 Amp, Mounted and Wired Internally
- Round Duct Connection
- Isolation Kit, (PN: VI KIT-SP/CSP), Shipped Loose
- Adjustable easy installation mounting bracket
- Aluminum Grille, (PN: 486006) Shipped Loose
- Polypropylene Wheel Material
- Can Be Used to Comply with: ASHRAE 62.2 and Washington State Energy Code



Dimensional	
Quantity	13
Weight w/o Acc's (lb)	10
Weight w/ Acc's (lb)	13

Performance	
Requested Volume (CFM)	75
Actual Volume (CFM)	75
Total External SP (in. wg)	0.3
Fan RPM	755
* FLA (A)	1.15
Elevation (ft)	256
Airstream Temp.(F)	70
Air Density (lb/ft3)	0.074
Sones	0.6

Motor	
Motor Mounted	Yes
** Input Watts (W)	80
Voltage/Cycle/Phase	115/60/1
Enclosure	ODP



Notes:

- All dimensions shown are in units of in.
- *FLA is approximate and will vary slightly with the motor.
- Sones - calculated using AMCA 301 at 5 ft
- ** Wattage is shown at free air.
- ** Wattage is approximate and may vary between motors.

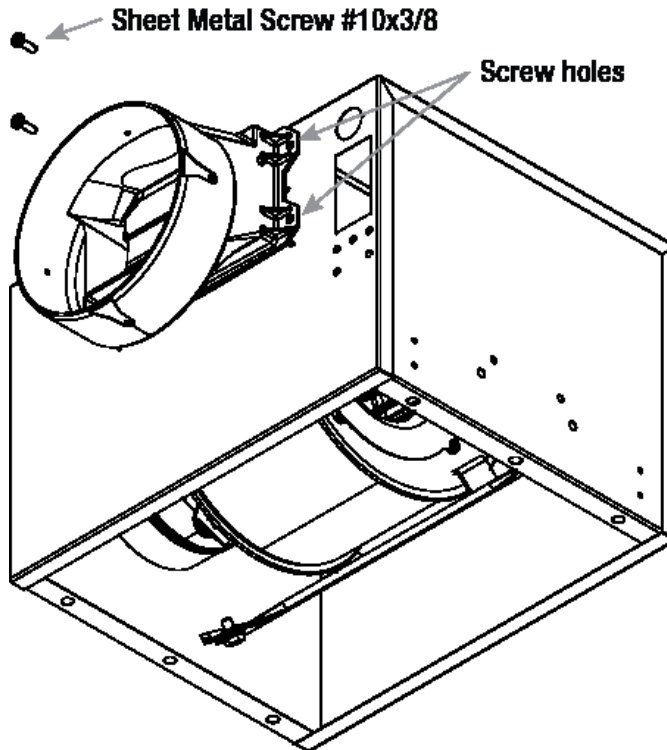


Round Duct Connector

Model: RDC

Standard Construction Features:

-Constructed of Polypropylene - Replaces the square discharge duct connector and damper using the existing mounting holes



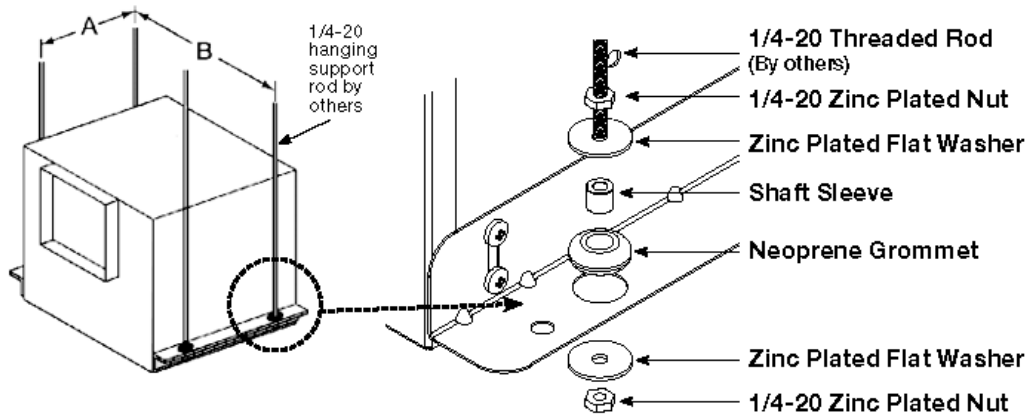
Notes: All dimensions shown are in units of in.

Isolation Kit

Type: Hanging

Standard Construction Features:

- Neoprene vibration isolation for hanging installation - Kit includes four isolators and all hardware necessary for mounting one unit except for the 0.25 in. x 20 in. threaded rod to be supplied by others - Fan mounting brackets include prepunched mounting holes for ease of installation



Unit Size	A	B
B50-B200	4 1/2 (114)	15 5/8 (397)
A50-A190	5 1/2 (140)	14 5/8 (371)
A200-A390	6 3/4 (171)	15 1/2 (394)
A410, A510, A710, A780	9 1/4 (235)	19 5/8 (498)
A700	5 1/2 (140)	25 1/8 (638)
A900 - A1050, A1410 - A1550	9 1/4 (235)	25 3/8 (645)
A1750, A2150	9 1/4 (235)	36 3/4 (933)
A3600	9 1/4 (235)	48 5/8 (1235)
All dimensions shown in inches (millimeters).		

Description	Qty
Neoprene Grommets	4
1 x 32 Zinc Plated Nuts	8
Zinc Plated Flat Washers	8
3/8 x 3/16 Shaft Sleeves	4

Model: SP-B150

Ceiling Exhaust Fan

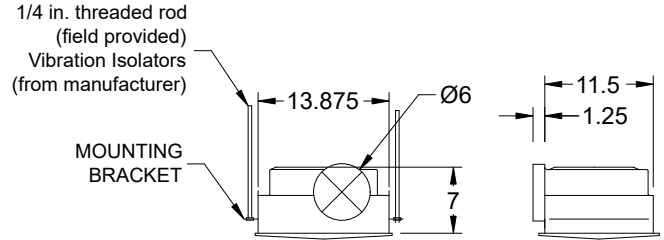
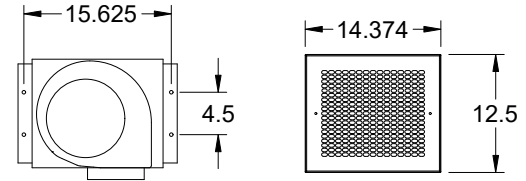
Tags: EF-4 EF-11 EF-14 EF-19 EF-26

Standard Construction Features:

- Corrosion resistant galvanized steel scroll and housing - White designer non-yellowing grille - Round outlet duct collar with integral backdraft damper - Single inlet forward curved wheel - Plug type disconnect - Adjustable mounting brackets

Selected Options & Accessories:

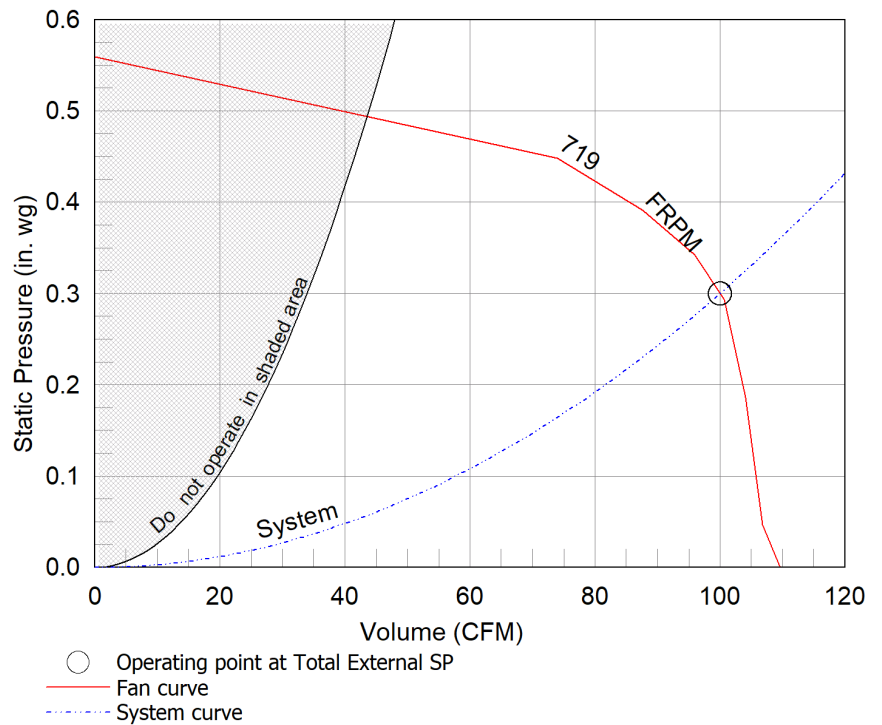
- Motor rated for continuous use
- Motor with Thermal Overload
- Motor with CSA Approval
- Motor with 40 Degree C Ambient Temperature
- UL/cUL 507 Listed - Electric Fan
- Solid State Speed Control, 6 Amp, Mounted and Wired Internally
- Round Duct Connection
- Isolation Kit, (PN: VI KIT-SP/CSP), Shipped Loose
- Adjustable easy installation mounting bracket
- Aluminum Grille, (PN: 486006) Shipped Loose
- Polypropylene Wheel Material
- Can Be Used to Comply with: ASHRAE 62.2 and Washington State Energy Code



Dimensional	
Quantity	5
Weight w/o Acc's (lb)	10
Weight w/ Acc's (lb)	13

Performance	
Requested Volume (CFM)	100
Actual Volume (CFM)	100
Total External SP (in. wg)	0.3
Fan RPM	719
* FLA (A)	1.8
Elevation (ft)	256
Airstream Temp.(F)	70
Air Density (lb/ft3)	0.074
Sones	1.1

Motor	
Motor Mounted	Yes
** Input Watts (W)	128
Voltage/Cycle/Phase	115/60/1
Enclosure	ODP



Notes:

- All dimensions shown are in units of in.
- *FLA is approximate and will vary slightly with the motor.
- Sones - calculated using AMCA 301 at 5 ft
- ** Wattage is shown at free air.
- ** Wattage is approximate and may vary between motors.

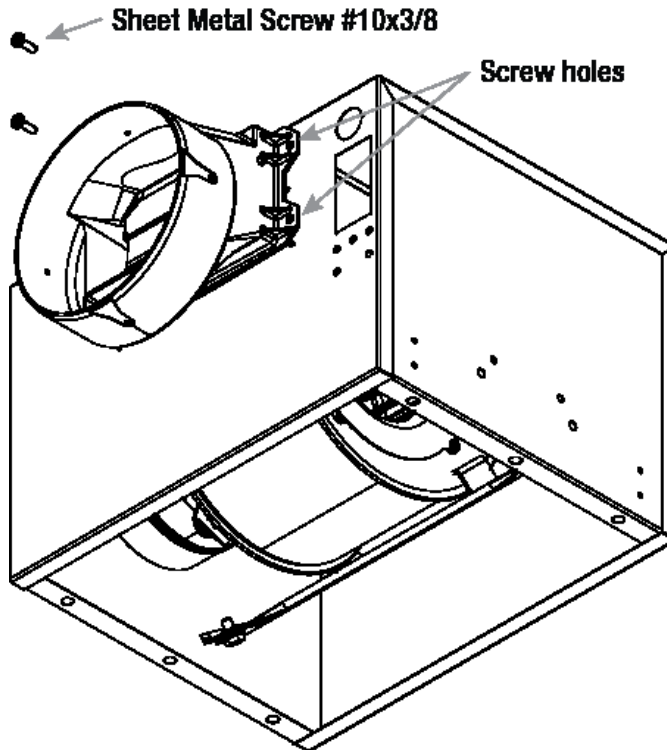


Round Duct Connector

Model: RDC

Standard Construction Features:

-Constructed of Polypropylene - Replaces the square discharge duct connector and damper using the existing mounting holes



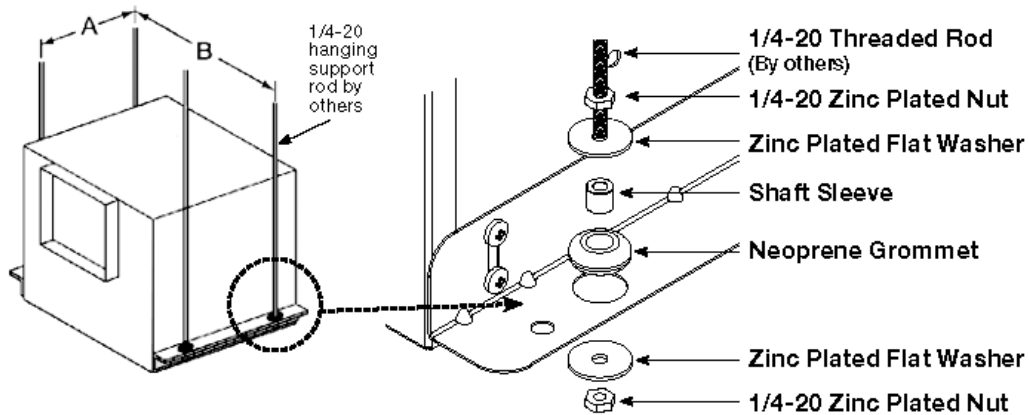
Notes: All dimensions shown are in units of in.

Isolation Kit

Type: Hanging

Standard Construction Features:

- Neoprene vibration isolation for hanging installation - Kit includes four isolators and all hardware necessary for mounting one unit except for the 0.25 in. x 20 in. threaded rod to be supplied by others - Fan mounting brackets include prepunched mounting holes for ease of installation



Unit Size	A	B
B50-B200	4 1/2 (114)	15 5/8 (397)
A50-A190	5 1/2 (140)	14 5/8 (371)
A200-A390	6 3/4 (171)	15 1/2 (394)
A410, A510, A710, A780	9 1/4 (235)	19 5/8 (498)
A700	5 1/2 (140)	25 1/8 (638)
A900 - A1050, A1410 - A1550	9 1/4 (235)	25 3/8 (645)
A1750, A2150	9 1/4 (235)	36 3/4 (933)
A3600	9 1/4 (235)	48 5/8 (1235)

All dimensions shown in inches (millimeters).

Description	Qty
Neoprene Grommets	4
1 x 32 Zinc Plated Nuts	8
Zinc Plated Flat Washers	8
3/8 x 3/16 Shaft Sleeves	4

Model: CSP-A390

Inline Cabinet Fan

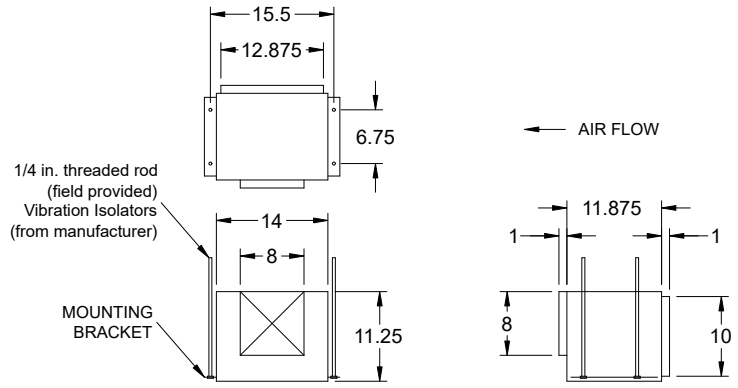
Tags: EF-12 EF-13 EF-16 EF-17

Standard Construction Features:

- Corrosion resistant galvanized steel scroll and housing - Sound absorbing insulation - Rectangular inlet and outlet duct collar - Outlet with integral spring loaded back draft damper - Double inlet forward curved wheel - Plug type disconnect - Adjustable mounting brackets - Field rotatable discharge

Selected Options & Accessories:

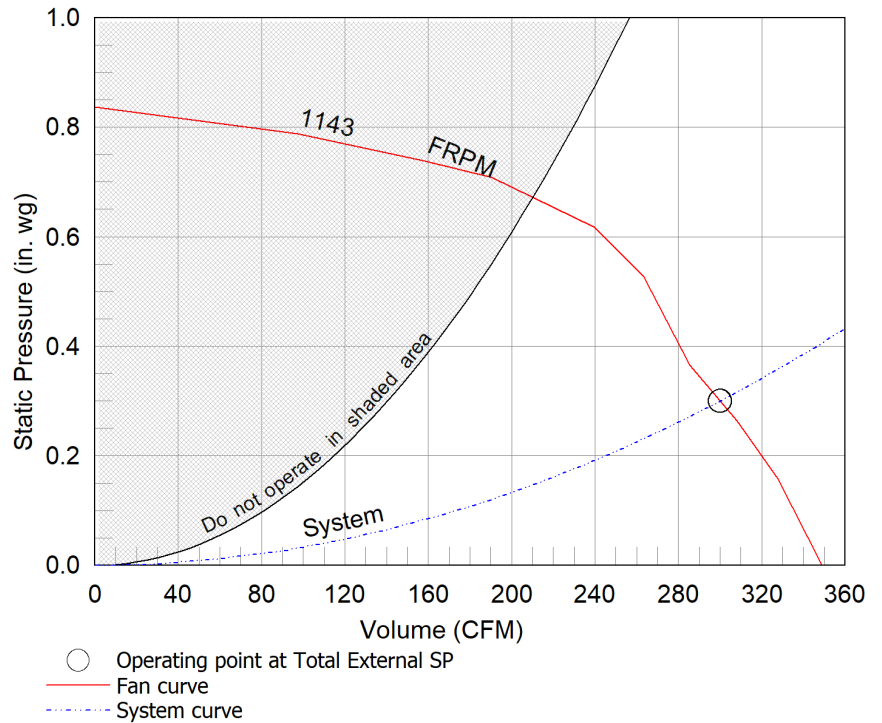
Motor rated for continuous use
 Motor with Thermal Overload
 Motor with CSA Approval
 Motor with 40 Degree C Ambient Temperature
 UL/cUL 507 Listed - Electric Fan
 Solid State Speed Control, 6 Amp, Mounted and Wired Internally
 Isolation Kit, (PN: VI KIT-SP/CSP), Shipped Loose
 Adjustable easy installation mounting bracket
 Polypropylene Wheel Material



Dimensional	
Quantity	4
Weight w/o Acc's (lb)	23
Weight w/ Acc's (lb)	25

Performance	
Requested Volume (CFM)	300
Actual Volume (CFM)	300
Total External SP (in. wg)	0.3
Fan RPM	1143
* FLA (A)	1.42
Elevation (ft)	256
Airstream Temp.(F)	70
Air Density (lb/ft3)	0.074
Sones	1.5

Motor	
Motor Mounted	Yes
** Input Watts (W)	87
Voltage/Cycle/Phase	115/60/1
Enclosure	ODP



Notes:

All dimensions shown are in units of in.
 *FLA is approximate and will vary slightly with the motor.
 Sones - calculated using AMCA 301 at 5 ft
 ** Wattage is approximate and may vary between motors.

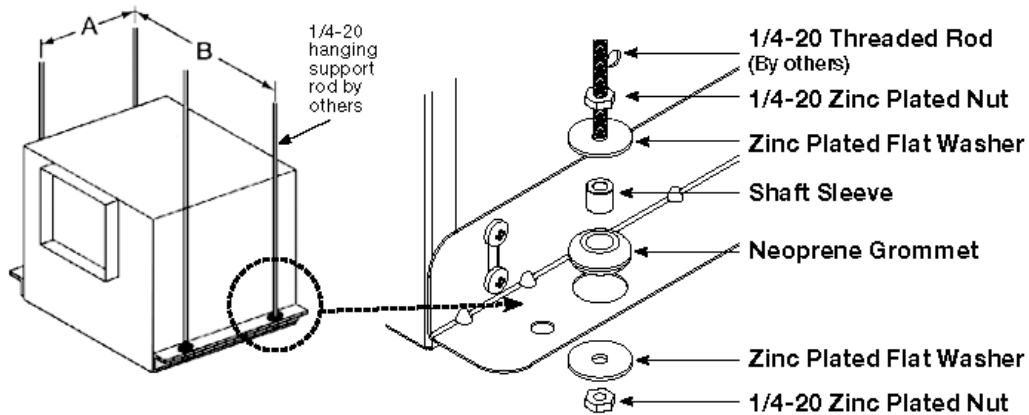


Isolation Kit

Type: Hanging

Standard Construction Features:

- Neoprene vibration isolation for hanging installation - Kit includes four isolators and all hardware necessary for mounting one unit except for the 0.25 in. x 20 in. threaded rod to be supplied by others - Fan mounting brackets include prepunched mounting holes for ease of installation



Unit Size	A	B
B50-B200	4 1/2 (114)	15 5/8 (397)
A50-A190	5 1/2 (140)	14 5/8 (371)
A200-A390	6 3/4 (171)	15 1/2 (394)
A410, A510, A710, A780	9 1/4 (235)	19 5/8 (498)
A700	5 1/2 (140)	25 1/8 (638)
A900 - A1050, A1410 - A1550	9 1/4 (235)	25 3/8 (645)
A1750, A2150	9 1/4 (235)	36 3/4 (933)
A3600	9 1/4 (235)	48 5/8 (1235)
All dimensions shown in inches (millimeters).		

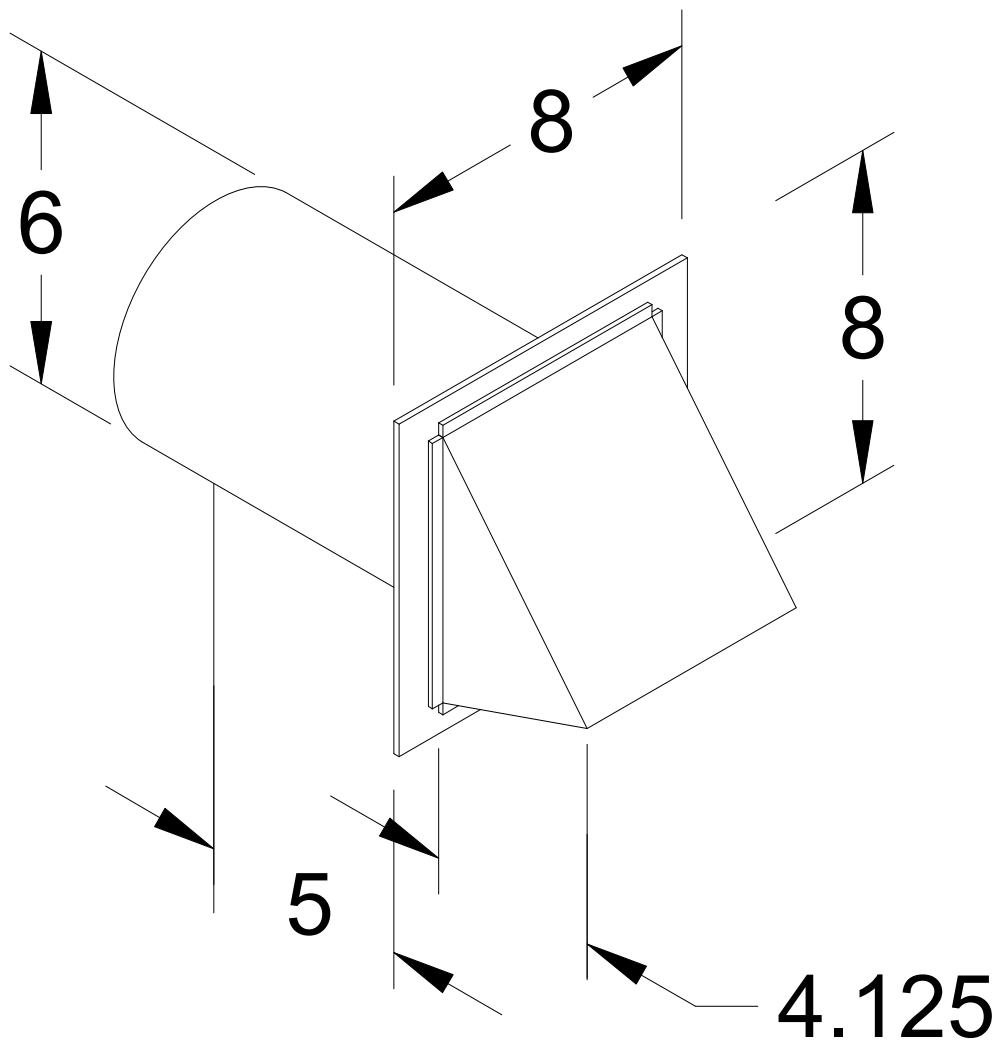
Description	Qty
Neoprene Grommets	4
1 x 32 Zinc Plated Nuts	8
Zinc Plated Flat Washers	8
3/8 x 3/16 Shaft Sleeves	4

WC-6

Standard Construction Features:

- Aluminum construction - Designed for outside wall applications - Built in damper.

Qty.	7	
Wall Cap Size:	6	
Coating Color:	Sierra Tan (GF118)	Verify Standard Color Required



Notes: All dimensions shown are in units of in.