

*Quality People. Building Solutions.*

Comfort Systems USA (Arkansas), Inc.  
P.O. Box 16620  
Little Rock, AR 72231  
Phone 501-834-3320  
Fax 501-834-5416

**Date:** 11/8/2023

**Return Request:** 11/15/2023

**Project:** LRCC Healthscope Building

**Supplier:** Comfort Systems USA (Arkansas), Inc.

**Manufacturer:** Various

**Submittal:** Plumbing Piping

**Submittal Number:**

**Drawing # and Installation:** Plumbing Drawings

**ARCHITECT**

Johnson Architects  
2725 Cantrell Rd.  
Little Rock, AR 72202  
501-374-7700

**ENGINEER**

EECI, Inc.  
10 Corporate Hill Drive, Suite 100  
Little Rock, AR 72205  
501-244-0511

**GENERAL CONTRACTOR**

CBM Construction  
401 N. Victory St.  
Little Rock, AR 72201  
501-945-0829

**MECHANICAL SUBCONTRACTOR**

Comfort Systems USA (Arkansas), Inc.  
9924 Landers Rd.  
N. Little Rock, AR 72117  
501-834-3320

Notes:

**CSUSA PROJECT NO.**

**23-1027**

[jon@comfortar.com](mailto:jon@comfortar.com)

Pipe Valve & Fitting Schedule - LRCC Healthscope Building				
System	Spec Section	Pipe	Fittings	Joint
Domestic Water - Above Grade		Type L Hard Copper; ASTM B88	Wrought Copper; ASME B.16.22/Pro Press Fittings	Lead-Free Solder; ASTM B32/Mechanical Press
Sanitary Sewer - Above Grade		Hubless Cast Iron; ASTM A888/CISPI 301	Hubless Cast Iron; ASTM A888/CISPI 301	Standard Hubless Band; ASTM C1277/CISPI 310
Sanitary Sewer - Below Grade		Schedule 40 PVC DWV; ASTM D2655	PVC DWV; ASTM D2655/ASTM D3311	Solvent Weld (Glue & Primer); ASTM D2564

# Lead-Free Bronze Ball Valves

**Features:** Silicon Performance Bronze® Alloy • Two-Piece Body • Full Port • Blowout-Proof Stem

**Approvals:** MSS SP-110/145 • IAPMO/ANSI Z1157 • NSF/ANSI 61/372-8 Commercial Hot 180°F

**Size range:** ¼" - 3"

**Pressure rating:** 600 PSI non-shock cold working pressure

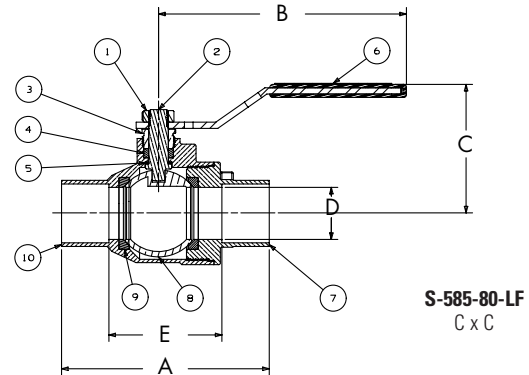
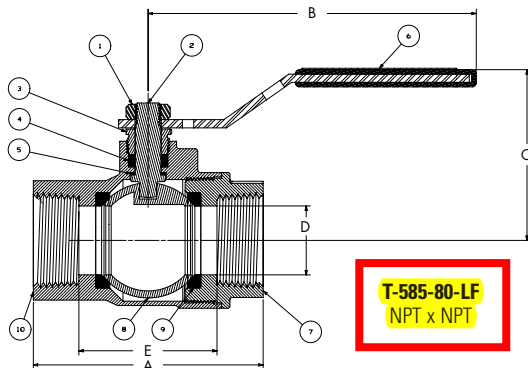
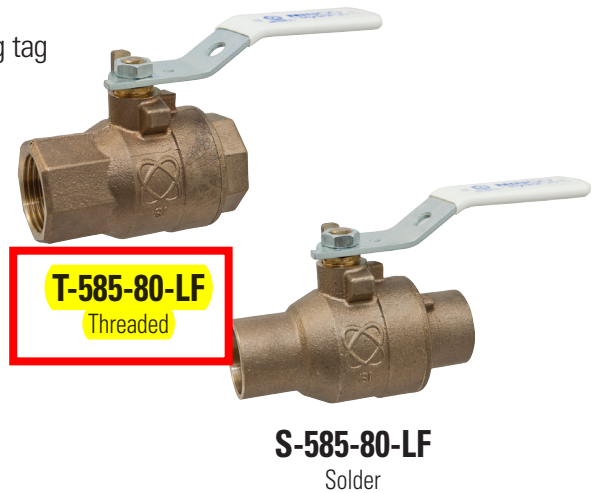
**Maximum pressure / temperature:** 100 PSI at 300° F

Lead-free markings: Double oval in body casting, white handle and blue hang tag



## MATERIAL LIST

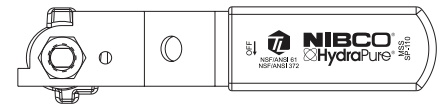
PART	SPECIFICATION
1. Handle Nut	Zinc Plated Steel
2. Stem	Silicon Bronze ASTM B371 Alloy C69300
3. Pack Gland	Brass ASTM B16 Alloy C36000
4. Packing, Stem	Virgin PTFE
5. Washer, Thrust	Reinforced PTFE
6. Handle	Zinc Plated Steel Clear Chromate Plastisol Coated
7. End Piece	Silicon Bronze ASTM B584 Alloy C87600
8. Seat Ring (2)	Reinforced PTFE
9. Ball	DZR Brass SAE J461 C46500 (¼"-1") Stainless Steel ASTM A276 S31600 or ASTM A351CF8M (1¼"-3")
10. Body	Silicon Bronze ASTM B584 Alloy C87600



## DIMENSIONS—WEIGHTS—QUANTITIES

### Dimensions

SIZE	T-585-80-LF		S-585-80-LF		T-585-80-LF		S-585-80-LF		T-585-80-LF		S-585-80-LF		Master Ctn.	Qty.						
	A	A	B	C	D	E	E	E	E	Lbs.	Kg.	Lbs.			Kg.					
¼	8	1.78	45	1.83	46	3.96	101	1.86	47	0.31	8	1.00	25	1.21	31	0.43	0.19	0.40	0.18	24
⅜	10	1.79	45	1.97	50	3.96	101	1.85	47	0.38	10	1.80	46	1.21	31	0.44	0.20	0.41	0.19	24
½	15	2.23	57	2.4	61	3.96	101	1.96	50	0.5	13	1.16	29	1.40	36	0.65	0.30	0.56	0.25	80
¾	20	2.78	71	3.16	80	4.76	121	2.28	58	0.75	19	1.68	43	1.66	42	1.20	0.55	1.02	0.46	60
1	25	3.34	85	3.99	101	4.76	121	2.48	63	1	25	2.00	51	2.17	55	1.63	0.74	1.50	0.68	40
1¼	32	3.75	95	4.13	105	6.75	171	3.10	79	1.25	32	2.39	61	2.19	56	2.87	1.30	2.41	1.09	20
1½	40	4.26	108	4.97	126	6.75	171	3.32	84	1.5	38	2.89	73	2.79	71	3.83	1.74	3.62	1.64	10
2	50	4.80	122	6.02	153	6.75	171	3.56	90	2	51	3.40	86	3.34	85	5.57	2.53	5.54	2.51	6
2½	65	6.00	152	7.21	183	8.06	205	4.40	112	2.50	64	4.12	105	4.27	108	13.70	6.21	12.80	5.80	2
3	76	6.5	165	8	202	8.06	205	4.65	118	2.95	75	4.46	113	4.62	117	14.30	6.49	12.50	5.67	2



### Handle Markings

### Handle Options:

- Stainless Steel Lever
- NIB-Seal®
- NIB-Seal® Locking Lever
- Locking Lever
- Stainless Steel Locking Lever
- Memory Stop
- Extended Lever w/ Memory Stop
- Round
- Wing
- Horizontal and Vertical Chain



**WARNING:** This product can expose you to chemicals including lead, which is known to the State of California to cause cancer and birth defects or other reproductive harm. For more information go to [www.P65Warnings.ca.gov](http://www.P65Warnings.ca.gov).

LEAD-FREE: Weighted average lead content ≤ 0.25%