

Quality People. Building Solutions.

Comfort Systems USA (Arkansas), Inc.
P.O. Box 16620
Little Rock, AR 72231
Phone 501-834-3320
Fax 501-834-5416

Date: 11/8/2023

Return Request: 11/15/2023

Project: LRCC Healthscope Building

Supplier: Sanders Supply

Manufacturer: Various

Submittal: Plumbing Fixtures

Submittal Number:

Drawing # and Installation: Plumbing Drawings

ARCHITECT

Johnson Architects
2725 Cantrell Rd.
Little Rock, AR 72202
501-374-7700

ENGINEER

EECI, Inc.
10 Corporate Hill Drive, Suite 100
Little Rock, AR 72205
501-244-0511

GENERAL CONTRACTOR

CBM Construction
401 N. Victory St.
Little Rock, AR 72201
501-945-0829

MECHANICAL SUBCONTRACTOR

Comfort Systems USA (Arkansas), Inc.
9924 Landers Rd.
N. Little Rock, AR 72117
501-834-3320

Notes:

CSUSA PROJECT NO.

23-1027

jon@comfortar.com

Little Rock Children's Clinic

Little Rock, AR

Comfort Systems USA

North Little Rock, AR

Plumbing Submittals

Sanders Supply



Hot Springs, AR

November 7, 2023

Little Rock Children's Clinic

Plumbing Fixture Schedule Index

<u>TAB</u>	<u>Description</u>
L-1	Lavatory ADA
WC-1	Water Closet ADA
S-1	Sink
FD-1	Floor Drain
WB-1	Washer Box
FCO	Floor Cleanout
WHA	Water Hammer Arrestor

L-1

Lucerne™ Wall-Hung Lavatory

- Wall-hung sink
- Vitreous china
- Front overflow
- D-shaped bowl
- Self-draining deck area with contoured back and side splash shields
- Faucet ledge
- Compliant with Texas Accessibility Standard (TAS) for children age group 13 and up

Faucet holes on 203 mm (8") centers:

- 0356.028** For exposed bracket support (by others)
- 0356.015** For wall hanger (included) or concealed arms support (by others)
- 0356.915** For wall hanger (included) or concealed arms support (by others) less overflow
- 0356.037** For wall hanger (included) or concealed arms support (by others) with extra 35 mm (1-3/8") hole for soap/lotion dispenser (by others) on right-hand side

Faucet holes on 102 mm (4") centers:

- 0355.027** For exposed bracket support (by others)
- 0355.012** For wall hanger (included) or concealed arms support (by others)
- 0355.912** For wall hanger (included) or concealed arms support (by others) less overflow
- 0355.056** For wall hanger (included) or concealed arms support (by others) with extra 35 mm (1-3/8") hole for soap/lotion dispenser (by others) on left-hand side
- 0355.034** For wall hanger (included) or concealed arms support (by others) with extra 35 mm (1-3/8") hole for soap/lotion dispenser (by others) on right-hand side
- 0355.041** With two holes spaced 343 mm (13-1/2") in back splash for 10 mm (3/8") bolts (by others)

Single center faucet hole:

- ~~0356.041~~ For exposed bracket support (by others)
- 0356.421** For wall hanger (included) or concealed arms support (by others)
- ~~0356.921~~ For wall hanger (included) or concealed arms support (by others) less overflow
- 0356.439** For wall hanger (included) or concealed arms support (by others) with single faucet hole on right
- 0356.066** For exposed bracket support (by others) with single faucet hole on right
- 0356.115** For wall hanger (included) or concealed arms support (by others) with extra 35 mm (1-3/8") hole for soap/lotion dispenser (by others) on left-hand side
- 0356.137** For wall hanger (included) or concealed arms support (by others) with extra 35 mm (1-3/8") hole for soap/lotion dispenser (by others) on right-hand side



0355.012



0356.041

SEE FOLLOWING PAGES FOR ROUGHING-IN DIMENSIONS

Compliance Certifications -

Meets or Exceeds the Following Specifications:

- ASME A112.19.2 / CSA B45.1 for Vitreous China Fixtures

Nominal Dimensions:

540 x 464 mm
(21-1/4" x 18-1/4")

Bowl sizes:

379 mm (14-7/8") wide
254 mm (10") front to back
165 mm (6-1/2") deep

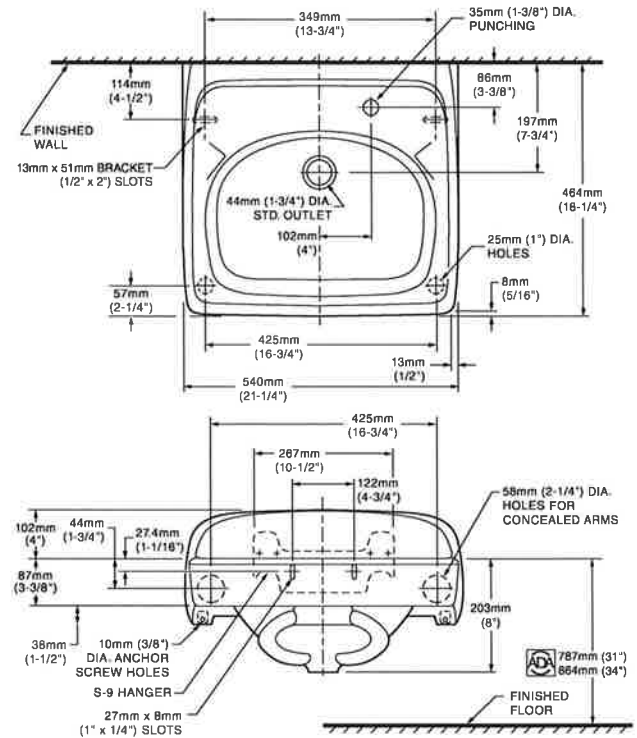
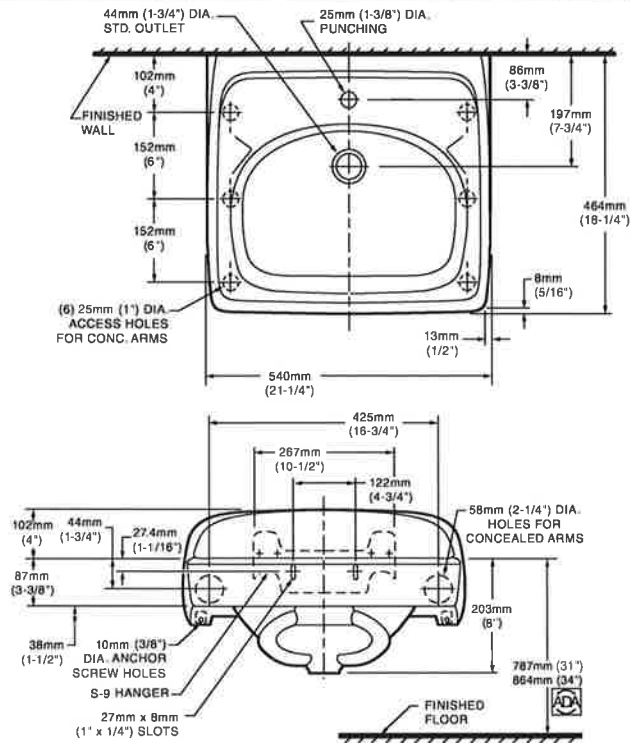
To Be Specified:

- Color: White
- Faucet:
- Faucet Finish:
- Supplies:
- 1-1/4" Trap:
- Bracket Support (by others):
- Concealed Arms Support (by others):



SINGLE CENTER HOLE CONFIGURATIONS
 All Wall Hanger (included) or Concealed Arm Configurations

SINGLE CENTER HOLE ON RIGHT CONFIGURATIONS
 All Wall Hanger (included) or Concealed Arm Configurations



NOTES:

* DIMENSIONS SHOWN FOR LOCATION OF SUPPLIES AND "P" TRAP ARE SUGGESTED. PROVIDE SUITABLE REINFORCEMENT FOR ALL WALL SUPPORTS. FITTINGS NOT INCLUDED AND MUST BE ORDERED SEPARATELY. CONCEALED ARM SUPPORT AS REQUIRED TO BE FURNISHED BY OTHERS.

IMPORTANT: Dimensions of fixtures are nominal and may vary within the range of tolerances established by ANSI Standard A112.19.2. These measurements are subject to change or cancellation. No responsibility is assumed for use of superseded or voided pages.



MEETS THE AMERICANS WITH DISABILITIES ACT GUIDELINES AND ANSI A117.1 ACCESSIBLE AND USABLE BUILDINGS AND FACILITIES - CHECK LOCAL CODES.

Top of front rim mounted 864mm (34") from finished floor.



T&S BRASS AND BRONZE WORKS, INC.

2 Saddleback Cove / P.O. Box 1088
Travelers Rest, SC 29690

Model No.

EC-3102

Item No.

Travelers Rest, SC: 800-476-4103 • Simi Valley, CA: 800-423-0150 • Fax: 864-834-3518 • www.tsbrass.com



ADA Compliant

This Space for Architect/Engineer Approval

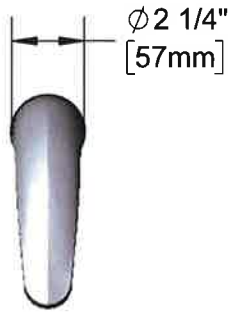
Job Name _____ Date _____

Model Specified _____ Quantity _____

Customer/Wholesaler _____

Contractor _____

Architect/Engineer _____



2.2 GPM [8.3 L/min]
Vandal Resistant Aerator

Solid Cast Brass Body w/
Polish Chrome Plated Finish

1/2" NPSM x 1/4" NPSM
18" [457mm] Flexible
Stainless Steel Hose

Mounting
Surface

24" [610mm]
Sensor Cable

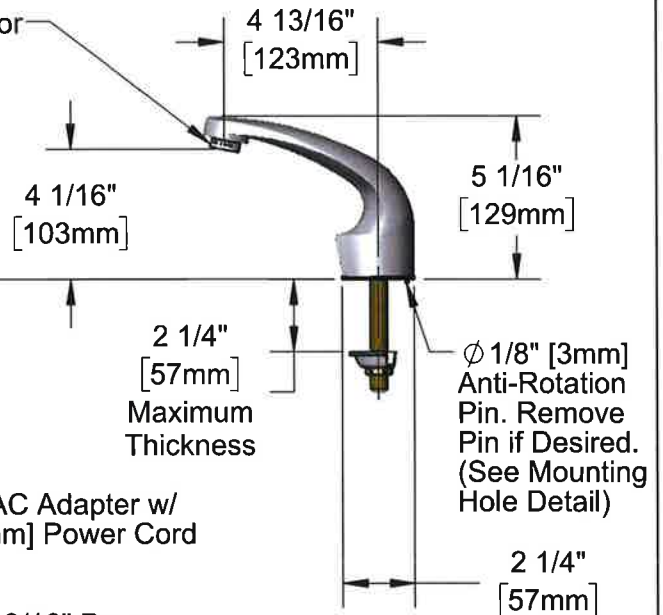
Removable
Strainer

100-240 VAC Adapter w/
72" [1830mm] Power Cord

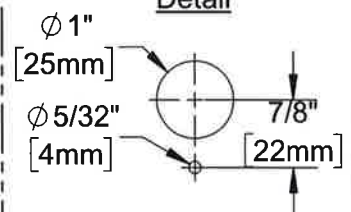
4" x 4 3/8" x 2 3/16" Deep
[102mm x 111mm x 56mm]
Water Resistant Control Module Box (Grey)
w/ Internal Flow Control Setting Switches,
AC or DC Operated w/ (4) AA Batteries.
Hardwire Capable Using Terminals on Back

(2) 3/8" Compression x 1/2" NPSM
18" [457mm] Flexible Stainless Steel
Supply Hoses

Temperature Mixing
Valve w/ Integral Check Valves



Mounting Hole Detail



Product Specifications:

Chrome Plated Brass Electronic Faucet: Single Hole, Deck Mount, Cast Spout w/ 2.2 GPM VR Aerator, AC/DC Control Module w/ Internal Flow Control Setting Switches, Temperature Control Mixing Valve w/ Integral Check Valves & 18" Hot & Cold Supply Stop Flexible Connector Hoses

Product Compliance:

ASME A112.18.1 / CSA B125.1
NSF 61 - Section 9
NSF 372 (Low Lead Content)
ANSI A117.1 (ADA)
UL 1951



T&S BRASS AND BRONZE WORKS, INC.

2 Saddleback Cove / P.O. Box 1088
Travelers Rest, SC 29690

Model No.

EC-3102

Item No.

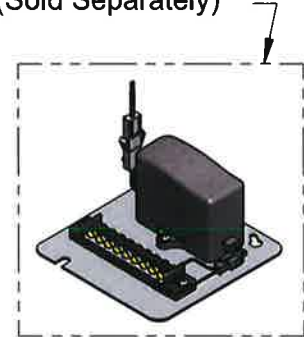
Travelers Rest, SC: 800-476-4103 • Simi Valley, CA: 800-423-0150 • Fax: 864-834-3518 • www.tsbrass.com

ITEM NO.	SALES NO.	DESCRIPTION
1	B-0199-08	VR 2.2 GPM Aerator, 13/16-27 UN Male w/ Key
2	015425-45	Vandal Resistant Key
* 3	019174-45	Sensor Cable Assembly
4	016297-45	Inlet Hose, Faucet, 1/2" NPSM-F x 1/4" NPSM-F
5	EC-FILTER	Replacement Filter
* 6	019944-45	ChekPoint Control Module w/ Filter Tee
* 7	5EF-0002C	AC Adapter - US Plug
8	5EF-0005	Supply Hose, 9/16-24 Female x 1/2" NPSM
9	5EF-0006	Temperature Mixing Valve

* For Versions Prior to 2021, Consult with T&S Customer Service



A Maximum of (8) ChekPoint Faucets can be Hardwire Connected and Powered by EC-HARDWIRE ChekPoint Hardwire AC Transformer. (Sold Separately)



Flow Control DIP Switches are Located Behind Battery Compartment Cover.

* Switches are Set to DEFAULT Position:

- Auto Time Out = 15 Seconds
- Shut Off Delay = 1 Second
- Auto Flush = OFF
- Metering Mode = OFF

***Available Water Flow Control Selections:**

- Auto Time Out: 15 sec, 30 sec, 45 sec, 60 sec, 3 min, 20 min
- Shut Off Delay: 1 sec, 10 sec, 15 sec, 30 sec
- Auto Flush (30 Seconds After Every 12 Inactive Hours): ON or OFF
- Metering Mode: ON or OFF

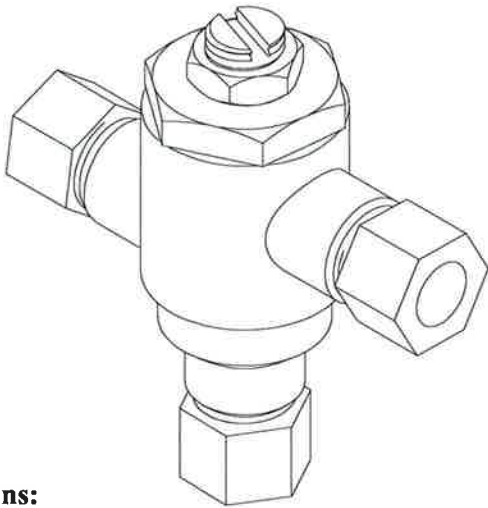
Product Specifications:

Chrome Plated Brass Electronic Faucet: Single Hole, Deck Mount, Cast Spout w/ 2.2 GPM VR Aerator, AC/DC Control Module w/ Internal Flow Control Setting Switches, Temperature Control Mixing Valve w/ Integral Check Valves & 18" Hot & Cold Supply Stop Flexible Connector Hoses

Product Compliance:

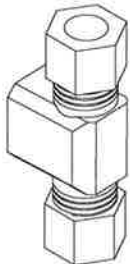
ASME A112.18.1 / CSA B125.1
NSF 61 - Section 9
NSF 372 (Low Lead Content)
ANSI A117.1 (ADA)
UL 1951

170A-LF

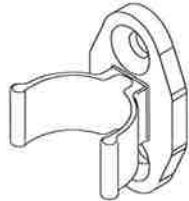


Options:

- STSTL REC- Stainless steel cabinet, #4 finish, recessed
- STSTL EXP- Stainless steel cabinet, #4 finish, exposed
- BWE REC- Steel cabinet, baked white, recessed
- BWE EXP- Steel cabinet, baked white, exposed
- BP- Cold water By-Pass (shipped loose)
- BRKT- mounting bracket (shipped loose)
- CP- Chrome plated finish



BP option



BRKT option



WARNING: This product can expose you to chemicals including lead, which is known to the State of California to cause cancer. For more information, go to www.P66941.htm

* This product is certified to meet Low Lead requirements of wetted surface area containing less than 0.25% lead by weight

Application:

The Model 170A-LF is a high performance thermostatic temperature limiting device used to supply single outlets. Can be used to supply one sensor faucet or one two handle manual faucet.

Features:

- Certified to ASSE 1070 to control down to 0.25 GPM
- Eco-Mix Certified Lead-Free* construction
- Integral inlet checks and stainless steel screens
- Vandal resistant locknut to prevent accidental adjustment
- Easy 3/8" tubing or flex hose installation

Specifications:

- Minimum flow: 0.25 GPM (0.95 l/Min) Certified to ASSE
- Maximum flow: 4 GPM
- Maximum pressure: 125 PSI (8.6 BAR)
- Maximum hot water temperature: 180°F (82°C)
- Hot water inlet temperature range: 120-180°F (49-82°C)
- Cold water inlet temperature range: 33-80°F (1-27°C)
- Temperature adjustment range: 95-120°F (35-49°C)

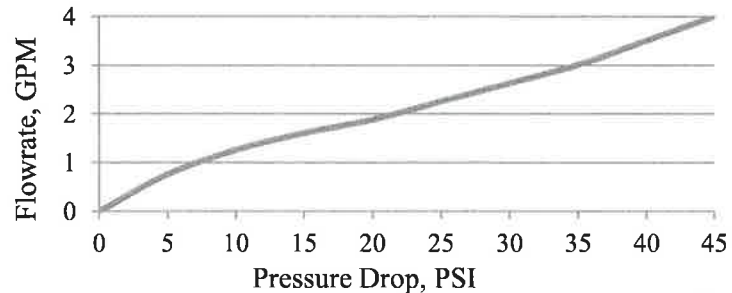
Certifications:

ASSE 1070-2015 

CSA B125.70-15 

Certified to NSF61 thru the ASSE 1070 testing process

PRESSURE DROP						
5	10	15	20	30	45	PSI
.35	.70	1.05	1.4	2.1	3.1	BAR
0.75	1.25	1.6	1.88	2.63	4	GPM
2.84	4.73	6.06	7.1	10	15	L/MIN



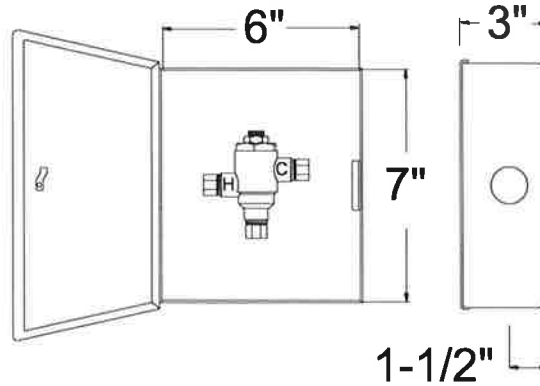
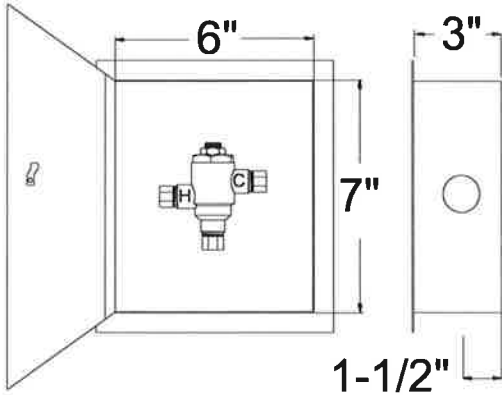
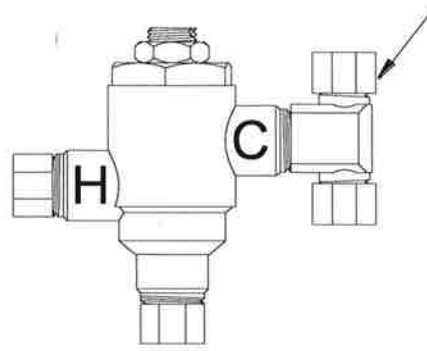
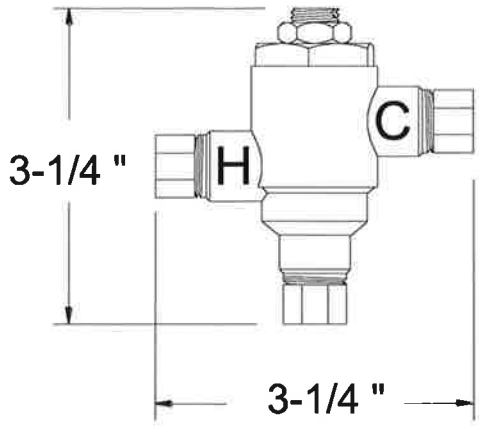
1360 Elmwood Avenue, Cranston, RI 02910 USA
 Phone: 401.461.1200 Fax: 401.941.5310
 Email: usa@leonardvalve.com
 Web Site: <http://www.leonardvalve.com>

Engineer's Approval

Job # _____

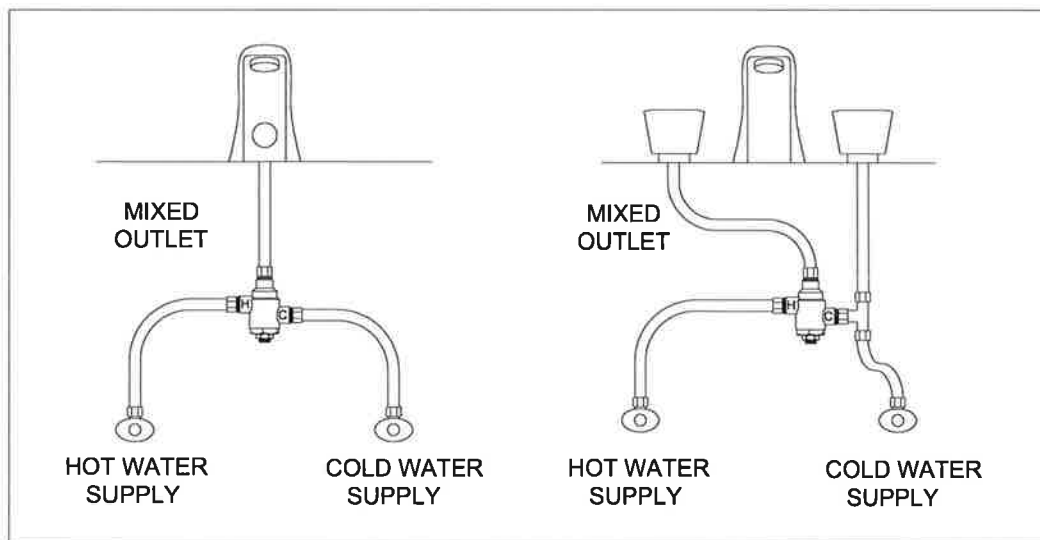
Arch/Eng. _____

Contractor _____



170A-LF-REC

170A-LF-EXP



170A-LF

170A-LF-BP



Note: Leonard Valve Company reserves the right of product, or design modifications without notice or obligation.

1360 Elmwood Avenue, Cranston, RI 02910 USA

Phone: 401.461.1200 Fax: 401.941.5310

© 2020 Leonard Valve Company
Printed in USA

Email: info@leonardvalve.com

Web Site: <http://www.leonardvalve.com>

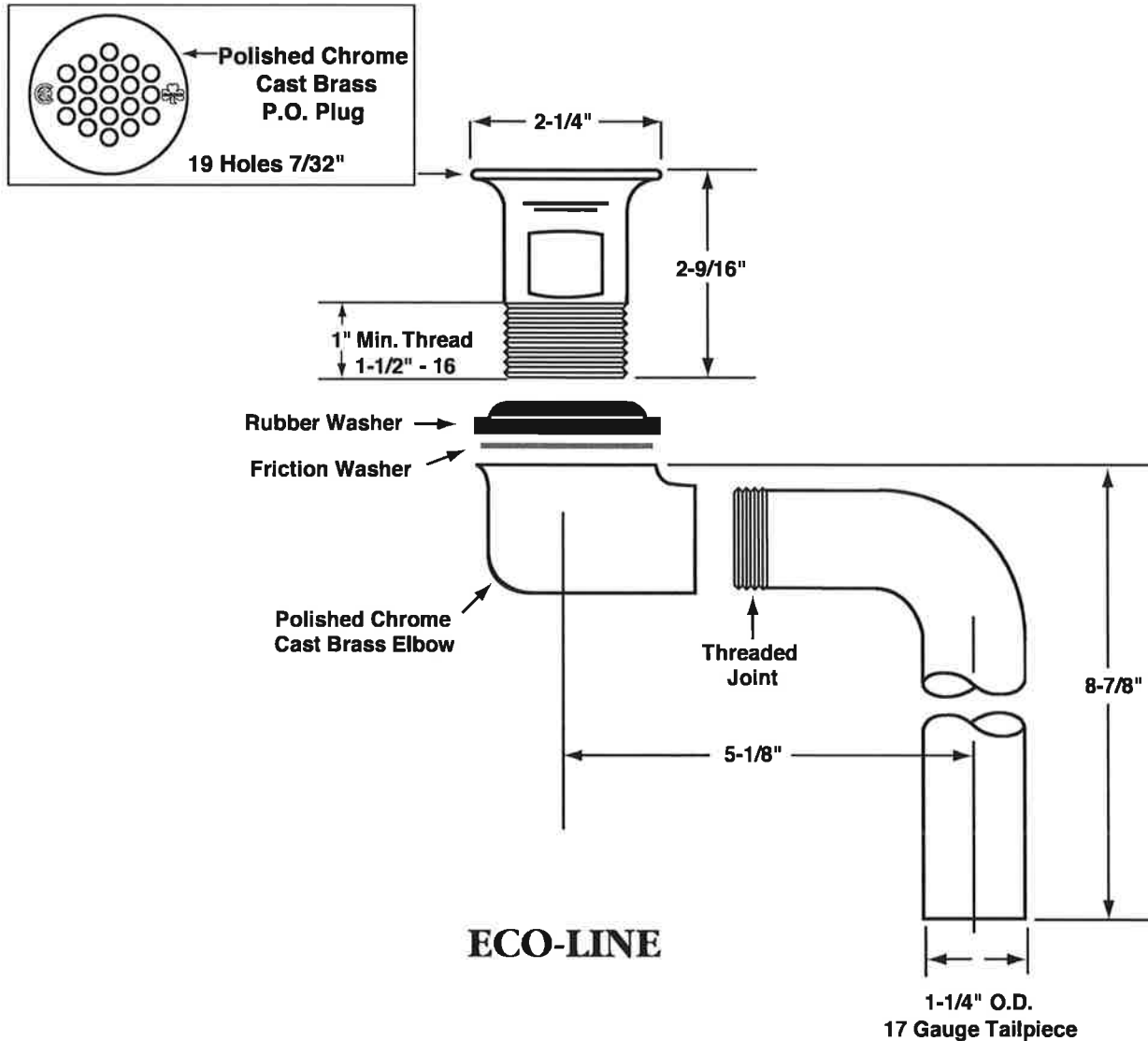


McGuire Manufacturing Co., Inc.
60 Grandview Court
P.O. Box 746 ♣ Cheshire, CT 06410
203-699-1801 ♣ Fax: 203-699-1813
www.mcguiremfg.com
PRODUCT SPECIFICATION

Part No.
155WCECO
Offset Lavatory
Grid Strainer

Job Name:

Submittal Number:



Specifications:

Cast Brass Chrome Plated Offset Wheelchair Strainer with polished chrome cast brass elbow, 17 gauge 1-1/4 inch seamless brass offset tailpiece, heavy rubber basin washer and fiber friction washer. Offset lavatory strainer shall be in compliance with CSA or other recognized testing authority and bear both manufacturer and testing mark.



McGuire Manufacturing Co., Inc.

60 Grandview Court
 Cheshire, Connecticut 06410
 (203) 699-1801 Fax (203) 699-1813
 customerservice@mcguiremfg.com mcguiremfg.com

Part No.

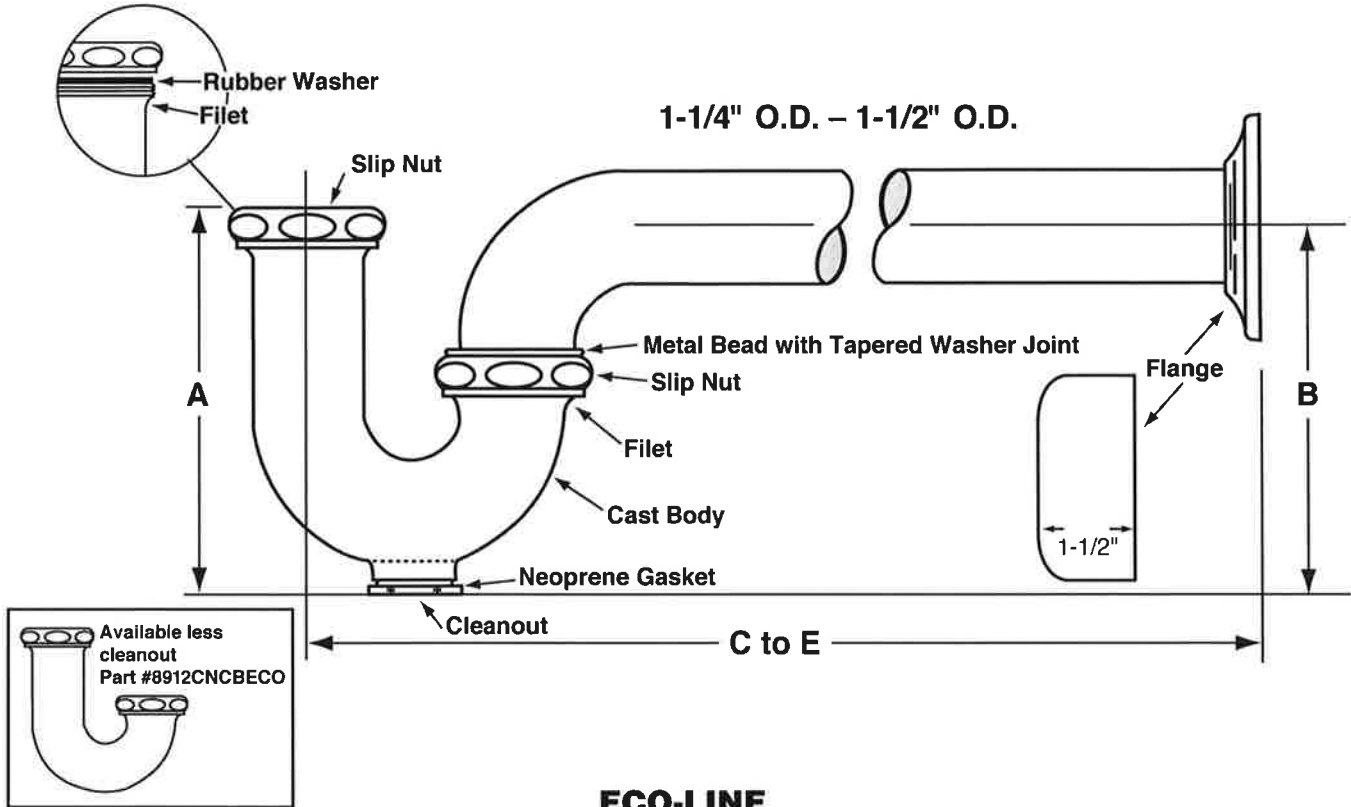
C8872CECO

**Cast Body P-Trap With
 or Without Cleanout**

PRODUCT SPECIFICATION

Job Name:

Submittal Number:



ECO-LINE

ROUGHING MEASUREMENTS							
MODEL NO.	TRAP DIMENSIONS		A	B	C to E	FLANGE	SLIP NUT
	INLET	OUTLET					
C8872CECO	1-1/4"	1-1/4"	4-1/2"	4-1/2"	10"	Shallow	Zinc

**FED SPEC W.W.P. 541
 CAST BRASS P-TRAP
 MINIMUM SEAL 2"**



ASME A112.18.2/CSA B125.2

Specifications:

Chrome plated P-Trap shall be cast brass body, with or without cleanout, with 17 gauge seamless tubular wall bend and flange.



WARNING:

This product can expose you to chemicals including lead, which is known to the State of California to cause cancer, and birth defects or other reproductive harm. For more information go to www.P65Warnings.ca.gov.



McGuire Manufacturing Co., Inc.

60 Grandview Court
 P.O. Box 746 • Cheshire, CT 06410
 203-699-1801 • Fax: 203-699-1813
 www.mcguiremfg.com

PRODUCT SPECIFICATION

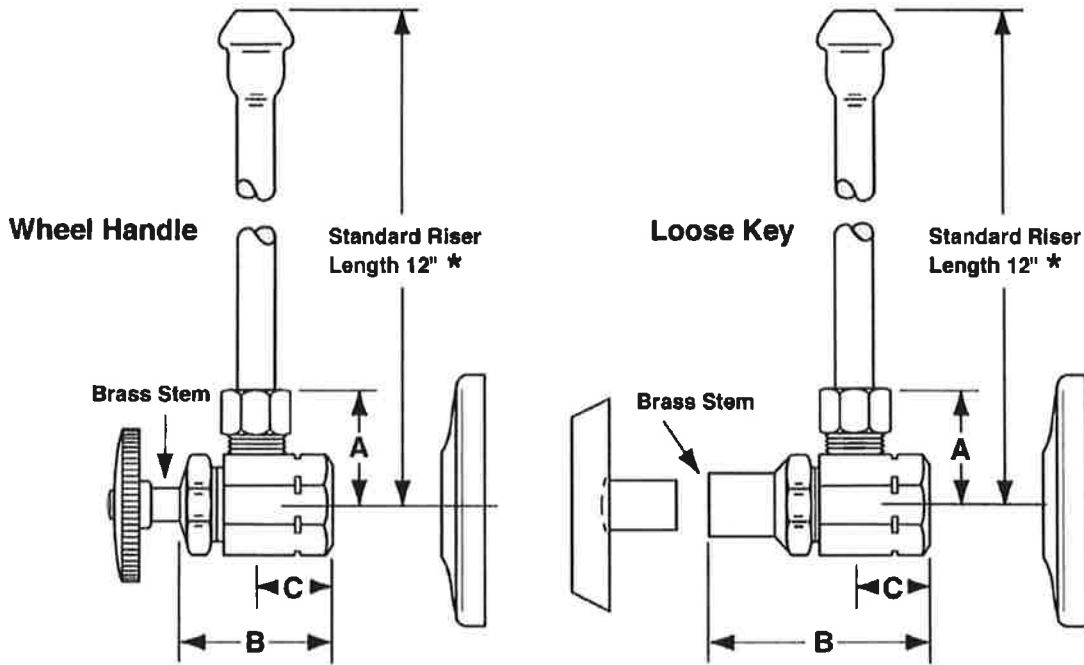
Part No.

**LF2165, LF2165LK,
 LF2167, LF2167LK**

**Lavatory Supply
 1/2" I.P.S. x O.D.**

Job Name: _____

Submittal Number: _____



NO.	DESCRIPTION	ROUGHING MEASUREMENTS		
		A	B	C
LF2165	1/2" I.P.S. x 3/8" O.D.	1-3/16"	1-1/2"	3/4"
LF2165LK	1/2" I.P.S. x 3/8" O.D.	1-3/16"	2-1/4"	3/4"
LF2167	1/2" I.P.S. x 1/2" O.D.	1-3/16"	1-1/2"	3/4"
LF2167LK	1/2" I.P.S. x 1/2" O.D.	1-3/16"	2-1/4"	3/4"

LK designates Loose Key

* See options and accessories section for details on product variations.



Specifications:

Supply kit shall include low lead chrome plated brass supply stop valves with full turn brass stem, no plastic, (12, 15, 20) inch chrome plated risers and (shallow, deep, bell) (steel, brass) or (forged brass with set screw) flange. Inlet shall be (3/8, 1/2) inch (IPS, compression). Outlet shall be (3/8, 1/2) inch compression. Supply kit shall be McGuire _____. Supply kit shall be low lead certified by recognized authority and bear manufacturer and testing mark.



COMBINATION KIT: ONE TRAP, TWO SUPPLY STOP PROTECTORS, AND ONE OFFSET DRAIN PROTECTOR

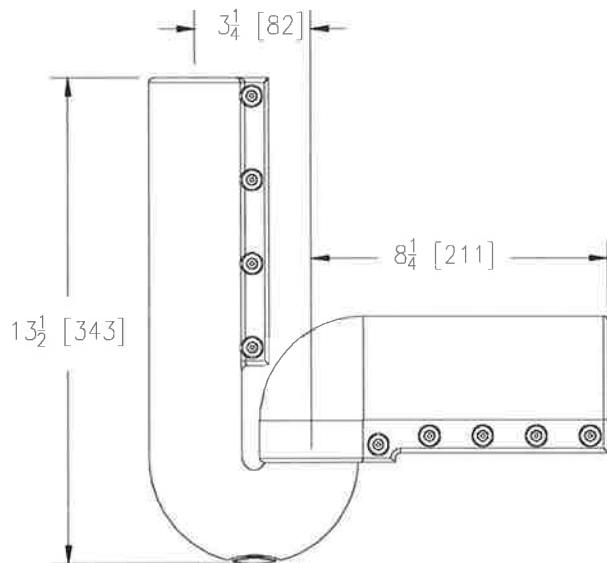
Z8946-3-NT

TAG _____

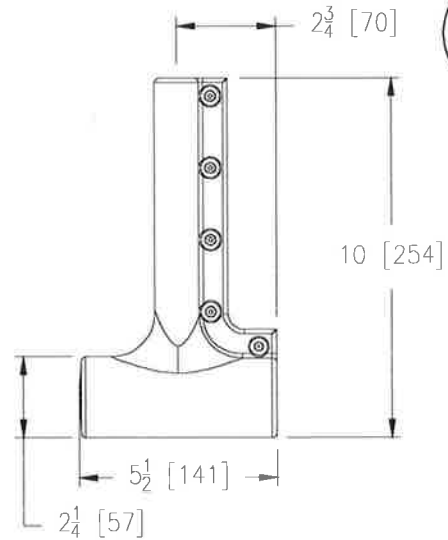


ENGINEERING SPECIFICATION: ZURN Z8946-3-NT Combination Kit: One trap protector, two supply stop protectors and one offset drain protector, satin white PVC resin. Antimicrobial, resists thermal transfer, and is ADA compliant. Trap protector fits both tubular and semi-cast P traps.

Patent Pending



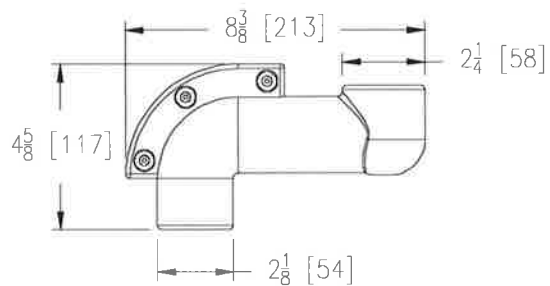
TRAP PROTECTOR



SUPPLY STOP PROTECTOR



PRESS HERE TO CLOSE



OFFSET DRAIN PROTECTOR

ZURN INDUSTRIES, LLC. ♦ COMMERCIAL BRASS OPERATION ♦ 5900 ELWIN BUCHANAN DRIVE ♦ SANFORD NC 27330

Phone: 1-800-997-3876 ♦ Fax: 919-775-3541 ♦ World Wide Web: www.zurn.com

In Canada: ZURN INDUSTRIES LIMITED ♦ 3544 Nashua Drive ♦ Mississauga, Ontario L4V1L2 ♦ Phone: 905-405-8272 Fax: 905-405-1292

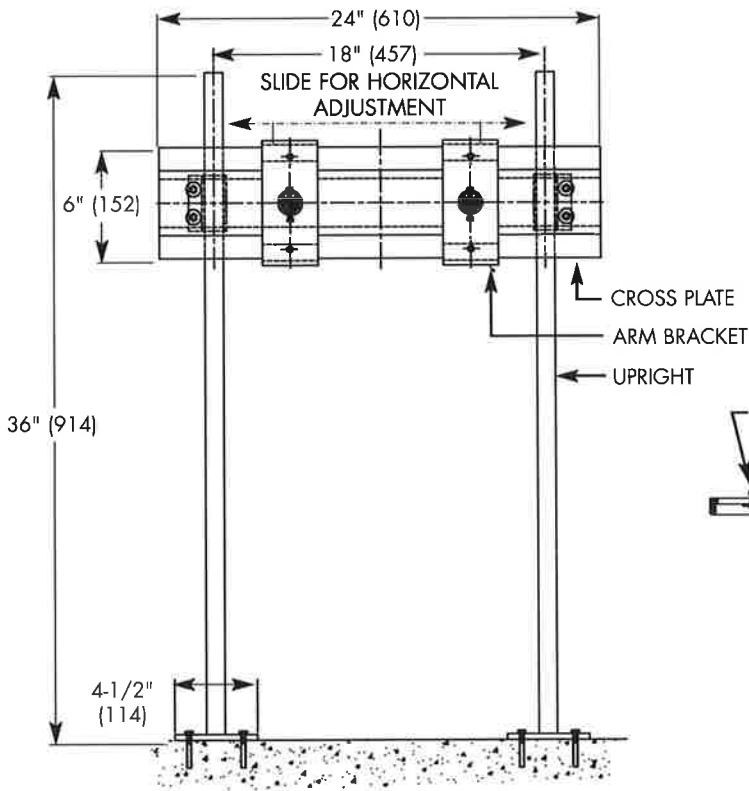


TCA-411

Tag: L-1

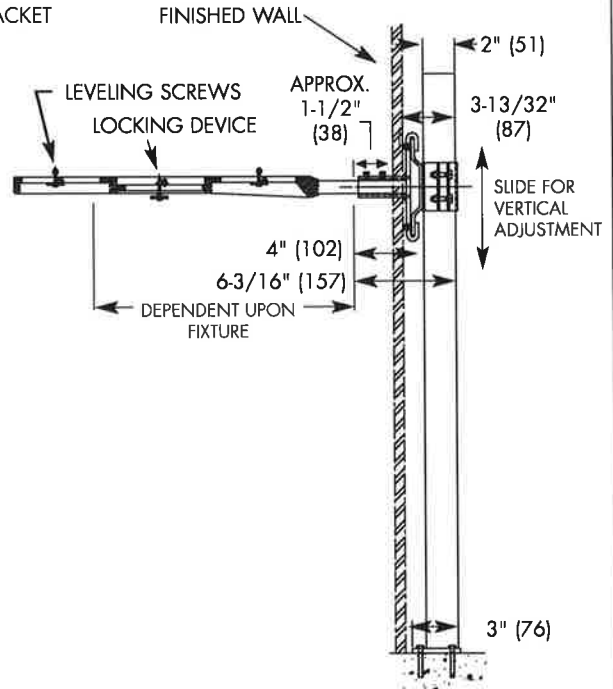
Floor Mounted Concealed Arm "Track" Lavatory Carrier

SPECIFICATION: Watts Drainage TCA-411 epoxy coated floor mounted concealed arm track lavatory carrier with heavy gauge steel offset uprights with welded feet, steel cross plate with integral mounting brackets, sliding adjustable arm brackets, and adjustable cast iron concealed arms with mounting clips, leveling screws, and basin locking device.



Options (Select One or More)	
Suffix	Description
-M42	42" Long Carrier Leg <input type="checkbox"/>
-M54	2" Chrome Plated Escutcheons, Single <input type="checkbox"/>
-M55	4" Chrome Plated Escutcheons, Single <input type="checkbox"/>
-M60	Knee Operated Valve Support Plate Single <input type="checkbox"/>

NOTE: ANCHOR LEGS TO CONCRETE FLOOR WITH MINIMUM 1/2" (13) ANCHOR BOLTS (BY OTHERS)



*Patent Pending

Job Name LR Children's Clinic Contractor Comfort Systems USA
 Job Location LR Contractor's P.O. No. _____
 Engineer EECI Representative Sanders Supply

WATTS Drainage reserves the right to modify or change product design or construction without prior notice and without incurring any obligation to make similar changes and modifications to products previously or subsequently sold. See your WATTS Drainage representative for any clarification. Dimensions are subject to manufacturing tolerances.



Specification Drainage Products

USA: 100 Watts Road, Spindale, NC, 28160-2298; TEL: 828-288-2179 TOLL-FREE: 1-800-338-2581 www.watts.com

WC-1



Madera™ FloWise® 16-1/2" Height Elongated Flushometer Toilet

VITREOUS CHINA LESS EVERCLEAN®

BARRIER FREE

Madera™ FloWise® 16-1/2" Height Elongated LESS EverClean®

- Floor mount flushometer valve toilet
- Vitreous china
- High Efficiency, Low Consumption. Operates in the range of 1.1 gpf to 1.6 gpf (4.2 Lpf to 6.0 Lpf)
- Meets definition of HET (High Efficiency Toilet) when used with a high efficiency flush valve (1.1, 1.28 gpf or 1.6 / 1.1 gpf dual flush)
- Fully glazed 2-1/8" trapway
- Elongated bowl
- 10" or 12" roughing-in
- 16-1/2" rim height for accessible application
- Condensation channel
- Powerful direct-fed siphon jet action
- 10" x 12" water surface area
- 1-1/2" inlet spud
- 2 bolt caps included
- Tested to support static weight load of 2,500 lbs. (1,134 kg)



SEE REVERSE FOR ROUGHING-IN DIMENSIONS

- ➔ **3043.001** Elongated bowl only, top spud
- ~~3248.001~~ Elongated bowl only, top spud with slotted rim for bedpan holding
- 3249.001** Elongated bowl only, back spud

Component Parts:

- 047007-0070A** Inlet Spud (furnished with bowl)
- 034783-0200A** Bolt caps with retainers (furnished with bowl)

Nominal Dimensions:

718 x 356 x 419mm
(28-1/4" x 14" x 16-1/2")

Fixture only, less seat and flush valve

Compliance Certifications -

Meets or Exceeds the Following Specifications:

- ASME A112.19.2 / CSA B45.1 for Vitreous China Fixtures

System MaP* Score:

- 1,000 grams of miso @ 1.1 gpf, 1.28 gpf or 1.6 gpf when used with an American Standard flush valve

* Maximum Performance (MaP) testing performed by IAPMO R&T Lab. MaP Report conducted by Veritec Consulting, Inc. and Koeller and Company.

OPERATING PRESSURE:

25 psi (flowing) - 80 psi (static)

FLOW REQUIREMENT:

25 gpm (94.6 L/min.)

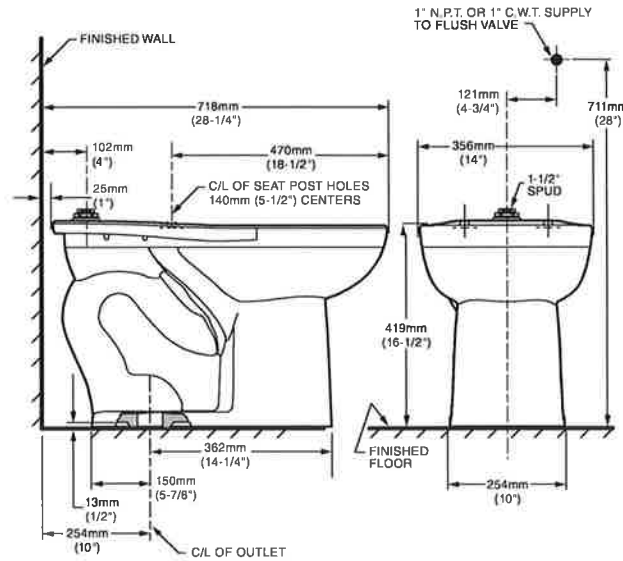
To Be Specified:

- Color: White
- Seat:
 - American Standard #5901.100 Heavy duty open front less cover
 - American Standard #5901.100SS Extra heavy duty open front less cover with EverClean®
- Flushometer Valve:

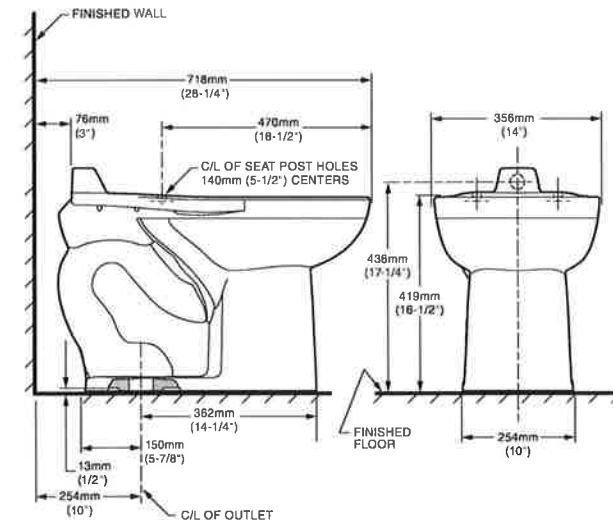
MEETS THE AMERICANS WITH DISABILITIES ACT GUIDELINES AND ANSI A117.1 REQUIREMENTS FOR ACCESSIBLE AND USABLE BUILDING FACILITIES - CHECK LOCAL CODES.



3043.001/3248.001



3249.001



NOTES:
 PRODUCT 3043 SHOWN, 3248 SAME EXCEPT WITH SLOTTED RIM FOR BED PAN HOLDING.
 TO COMPLY WITH AREA CODE GOVERNING THE HEIGHT OF VACUUM BREAKER ON THE FLUSHOMETER VALVE, THE PLUMBER MUST VERIFY DIMENSIONS SHOWN FOR SUPPLY ROUGHING.
 THIS TOILET DESIGNED TO ROUGH-IN AT A MINIMUM DIMENSION OF 254MM (10") AND A MAXIMUM DIMENSION OF 305MM (12") FROM FINISHED WALL TO C/L OF OUTLET.
 FLUSHOMETER VALVE NOT INCLUDED WITH FIXTURE AND MUST BE ORDERED SEPARATELY. FLUSHOMETER VALVE REQUIREMENTS FOR 12" (305MM) ROUGH-IN: SWEAT EXTENSION NIPPLE IS REQUIRED. REFER TO VALVE MANUFACTURER AND LOCAL CODES.

IMPORTANT: Dimensions of fixtures are nominal and may vary within the range of tolerances established by ANSI Standard A112.19.2. These measurements are subject to change or cancellation. No responsibility is assumed for use of superseded or voided pages.

TOTO®

TET1LA

ECOPOWER® High-Efficiency Toilet Flush Valve, 1.28 GPF

FEATURES

- 1.28 GPF
- Self-powered hydroelectric flush valve system
- No minimum daily usage requirement
- Durable chrome plated body with tamper-proof screws and solid bronze valve body
- Self-cleaning piston valve with 360° filter screen
- Neutral rough-in and adjustable tail piece connection
- True mechanical flush override
- Smart sensor with self-adjusting detection range
- 6-second detection time to prevent ghost flushing
- For toilet with 1-1/2" top spud inlet
- Exposed flush valve with 1" angle stop and 1-1/2" vacuum breaker set
- ADA compliant

MODELS

- ➔ TET1LA32#CP
- TET1LAR#CP (1.28 GPF flush valve)
 - VB0932#CP (1-1/2" vacuum breaker tube, 1" angle stop)

COLORS/FINISHES

- ➔ #CP Polished Chrome

OPTIONAL ACCESSORIES

- Z-4000-J - Adapter for ground joint angle stops

CODES/STANDARDS

- Meets or exceeds ASSE 1037, CSA B125.3
- Certifications: IAPMO(cUPC), EPA WaterSense, ASSE, State of Massachusetts, and others
- Code Compliance: UPC, IPC, NSPC, NPC Canada, and others
- Complies with CA Title 20 regulations and CalGreen when used with a 1.28 GPF water closet
- ADA compliant
- Complies with CA Prop 65 warning requirements



 **ECOPOWER**

 **Auto Flush**



Piston Valve

PRODUCT SPECIFICATION

TOTO® Model No. _____

Product shall be 1.28 GPF. Product shall be an automatic infrared sensor-activated, toilet flush valve. Product shall use hydropower, ECOPOWER flush valve system. Product shall have durable chrome plated body with tamper-proof screws and solid bronze valve body. Product shall have smart sensor with self-adjusting detection range. Product shall have neutral rough-in and adjustable tail piece connection. Product shall have smart sensor with self-adjusting detection range. Product shall have true mechanical flush override. Product shall have 6-second detection time to prevent ghost flushing. Product shall have piston with debris screen and solenoid with self-cleaning mechanism. Product shall be ADA compliant.

TET1LA

ECOPOWER® High-Efficiency Toilet Flush Valve, 1.28 GPF

SPECIFICATIONS

- Material: Bronze casting
- Power supply: ECOPOWER
- Sensor detection time: Factory setting at six (6) seconds minimum
- Sensor detection range: Self-adjusting to environment
- Discharge quantity: Preset to 1.28 GPF/ 4.8 LPF
- Operating temperature: 32°-104°F (0°-40°C)
- Water supply pressure: 35 psi - 125 psi*
- Water supply connection: 1" NPT
- Warranty: Three year limited

*Water pressures over 80 psi are not recommended for most plumbing fixtures. Check your local plumbing code for details.

INSTALLATION NOTES

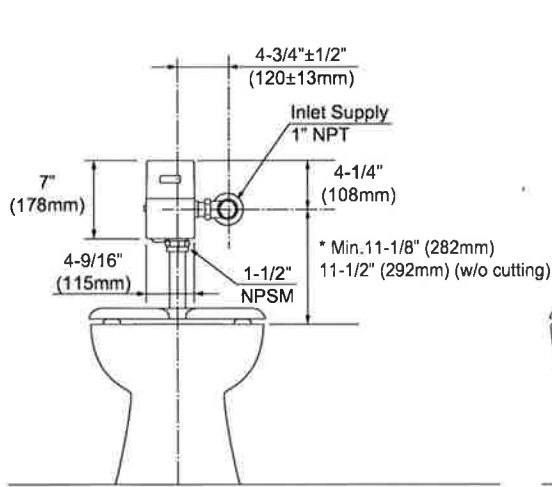
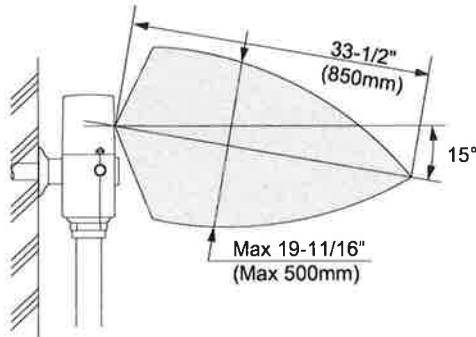
For commercial applications only.
Warning: Failure to properly adjust angle stop to the appropriate level can potentially cause property damage.

For detailed installation instructions, please refer to the installation manual.

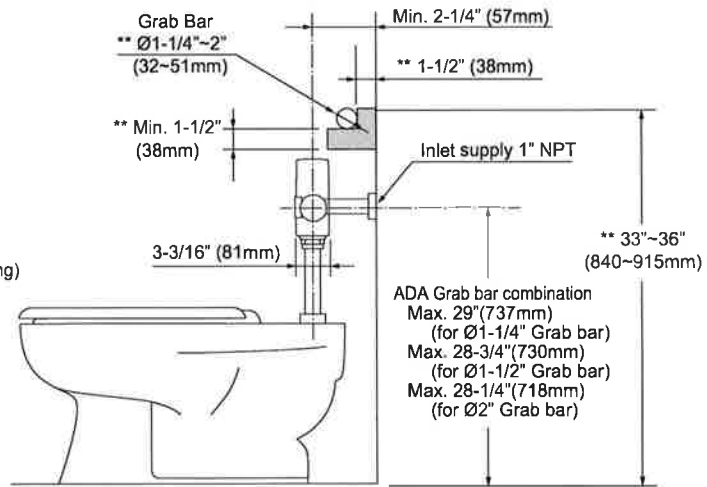
Max flow rate to be used with TET1LA: 1.28 GPF

Confirm with local codes and standards for floor drain requirement. Adjust control stop for proper flow rate to the fixture.

DIAGRAM



* Check local codes



** ADA 2010 Section 609

TOTO

These dimensions and specifications are subject to change without notice

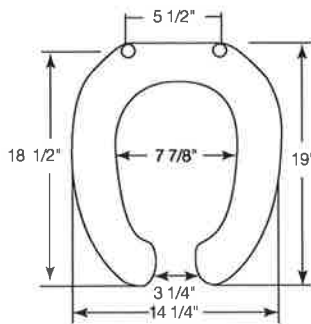


COMMERCIAL PLASTIC SEATS

MODEL 2155CT

- ELONGATED SEAT, OPEN FRONT LESS COVER
- SOLID PLASTIC
- DURAGUARD® ANTIMICROBIAL AGENT
- STA-TITE®, COMMERCIAL FASTENING SYSTEM™

DuraGuard®
ANTIMICROBIAL



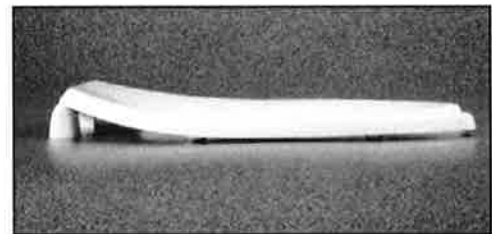
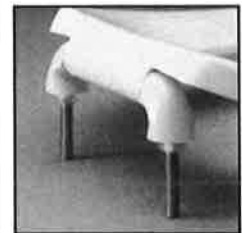
Ring thickness is 13/16"
Ring thickness including the bumper is 1"
Height of the seat is 2-1/4"

Seats shall be No. _____ as manufactured by Church Seats. Seats shall contain DuraGuard®, an antimicrobial agent. Seats shall be heavy weight and injection molded of solid plastic. Seats shall be open front less cover for elongated bowl and feature large molded-in bumpers. Seats shall have STA-TITE®, Commercial Fastening System™, featuring concealed check hinges with 300 Series stainless steel posts and pintles that stop seat 11 degrees beyond vertical. Color to be white.

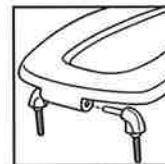
Hinges shall be 2155CT / 2155SSCT.
(Circle model based on description below.)

2155CT Concealed check hinge stops seat 11° beyond vertical.

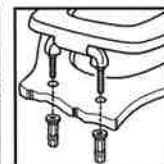
2155SSCT Self-sustaining, concealed stainless steel check hinge holds seat in any raised position up to 11° beyond vertical.



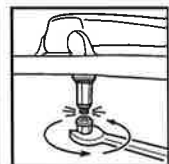
STA-TITE®



Assemble hinges.



Finger-tighten fastening nuts.



Using wrench, tighten until lower portion shears off.

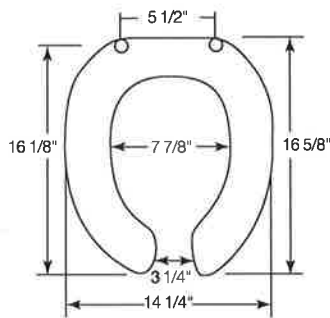


COMMERCIAL PLASTIC SEATS

MODEL 2055CT

- ROUND SEAT, OPEN FRONT LESS COVER
- SOLID PLASTIC
- DURAGUARD® ANTIMICROBIAL AGENT
- STA-TITE®, COMMERCIAL FASTENING SYSTEM™

DuraGuard®
ANTIMICROBIAL



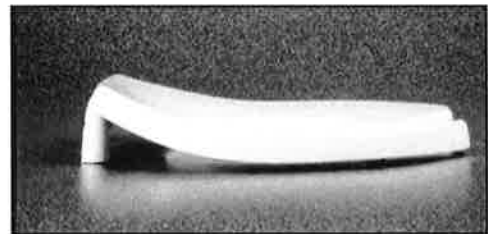
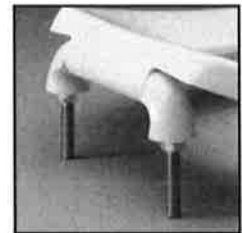
Ring thickness is 13/16"
Ring thickness including the bumper is 1"
Height of the seat is 2-1/4"

Seats shall be No. _____ as manufactured by Church Seats. Seats shall contain DuraGuard®, an antimicrobial agent. Seats shall be heavy weight and injection molded of solid plastic. Seats shall be open front less cover for round bowl and feature large molded-in bumpers. Seats shall have STA-TITE®, Commercial Fastening System™, featuring concealed check hinges with 300 Series stainless steel posts and pintles that stop seat 11 degrees beyond vertical. Color to be white.

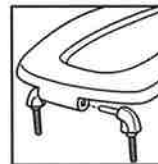
Hinges shall be 2055CT / 2055SSCT.
(Circle model based on description below.)

2055CT Concealed check hinge stops seat 11° beyond vertical.

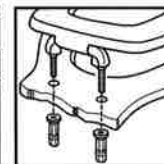
2055SSCT Self-sustaining, concealed stainless steel check hinge holds seat in any raised position up to 11° beyond vertical.



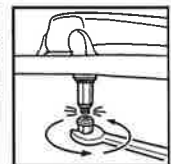
STATITE™



Assemble hinges.



Finger-tighten fastening nuts.



Using wrench, tighten until lower portion shears off.

S-1

PRODUCT SPECIFICATIONS

Elkay Lustertone™ Classic Stainless Steel 19-1/2" x 19" x 7-1/2" Single Bowl Drop-in Sink. Sink is manufactured from 18 gauge 304 Stainless Steel with a Lustrous Satin finish, Center drain placement, and Bottom only pads.

Installation Type:	Drop-in
Material:	304 Stainless Steel
Finish:	Lustrous Satin
Gauge:	18
Sound Deadening:	Bottom only pads
Number of Bowls:	1
Sink Dimensions:	19-1/2" x 19" x 7-1/2"
Bowl 1 Dimensions:	16" x 13-1/2" x 7-3/8"
Drain Size:	3-1/2" (89mm)
Drain Location:	Center
Minimum Cabinet Size:	24"
Mounting Hardware:	Part # 64090012 included for countertops up to 3/4" (19mm) thick
Template Included:	No
Cutout Template #:	1000001259

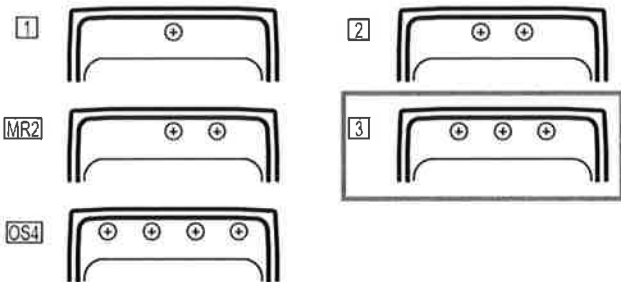
Template is available for download at elkay.com. CAD software will be required to open the template.

Cutout Dimensions for Drop-in Installation:

18-7/8" x 18-3/8" (479mm x 467mm) with 1-1/2" (38mm) corner radius

Hole Drilling Configurations:

1-1/2" (38mm) Diameter Faucet Holes on 4" (102mm) Centers



A Century of Tradition and Quality. For more than 100 years, Elkay has been making innovative products and providing exceptional customer care. We take pride in offering plumbing products that make life easier, inspire change and leave the world a better place.



Product Compliance: ASME A112.19.3/CSA B45.4



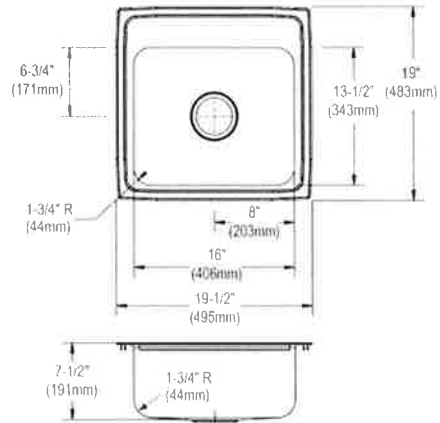
Sinks are listed by IAPMO® as meeting the applicable requirements of the Uniform Plumbing Code®, International Plumbing Code®, and National Plumbing Code of Canada.

[Clean and Care Manual \(PDF\)](#)

[Installation Instructions \(PDF\) - 1000005236](#)

[Warranty \(PDF\)](#)

Similar models are available with: 4" 4-1/2" 5" 6" and 6-1/2" depths, Quick-Clip Mounting System



PART: _____ QTY: _____
 PROJECT: _____
 CONTACT: _____
 DATE: _____
 NOTES: _____
 APPROVAL: _____

In keeping with our policy of continuing product improvement, Elkay reserves the right to change product specifications without notice. Please visit elkay.com for the most current version of Elkay product specification sheets. This specification describes an Elkay product with design, quality, and functional benefits to the user. When making a comparison of other producers' offerings, be certain these features are not overlooked.



T&S BRASS AND BRONZE WORKS, INC.

2 Saddleback Cove / P.O. Box 1088
Travelers Rest, SC 29690

Model No.

B-2866-05

Item No.

Travelers Rest, SC: 800-476-4103 • Simi Valley, CA: 800-423-0150 • Fax: 864-834-3518 • www.tsbrass.com

This Space for Architect/Engineer Approval

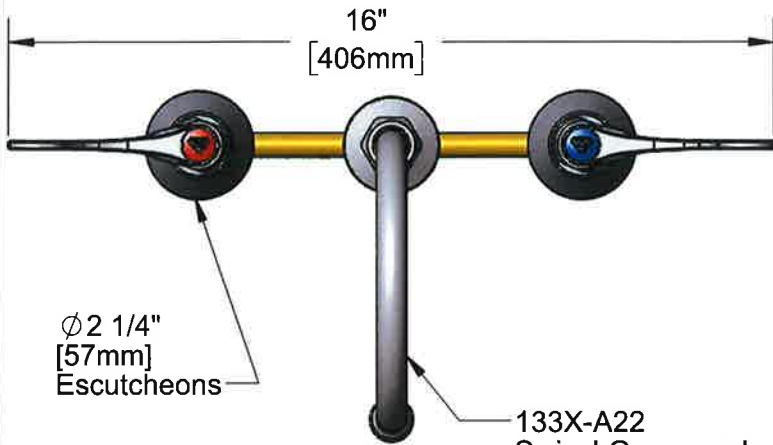
Job Name _____ Date _____

Model Specified _____ Quantity _____

Customer/Wholesaler _____

Contractor _____

Architect/Engineer _____

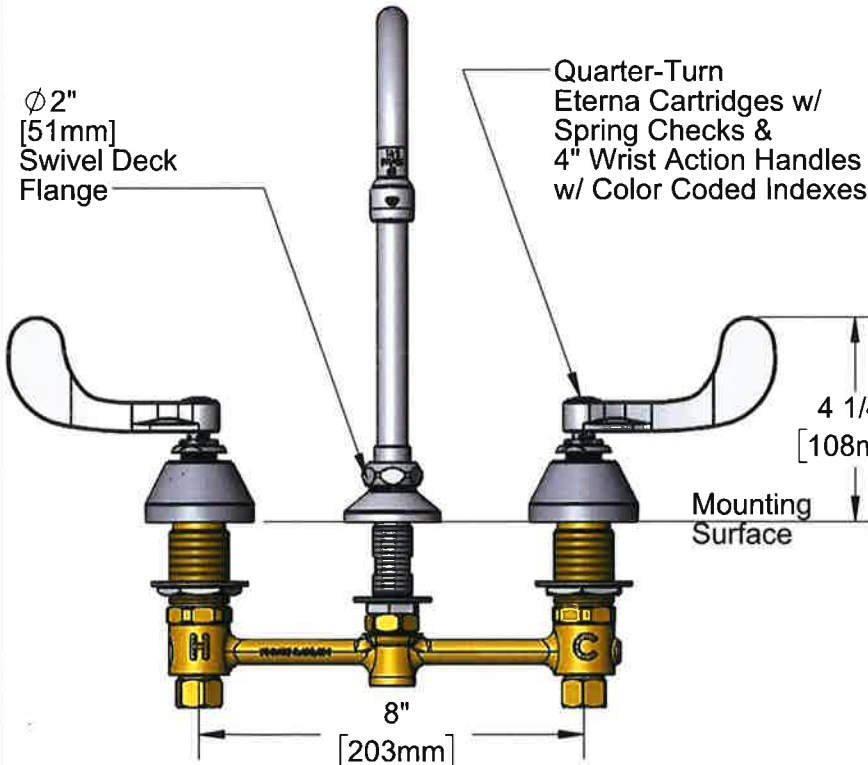


Ø 2 1/4"
[57mm]
Escutcheons

133X-A22
Swivel Gooseneck w/
2.2 GPM Aerator.
Rigid Conversion Requires
014200-45 Lock Washer
(Included)



ADA Compliant



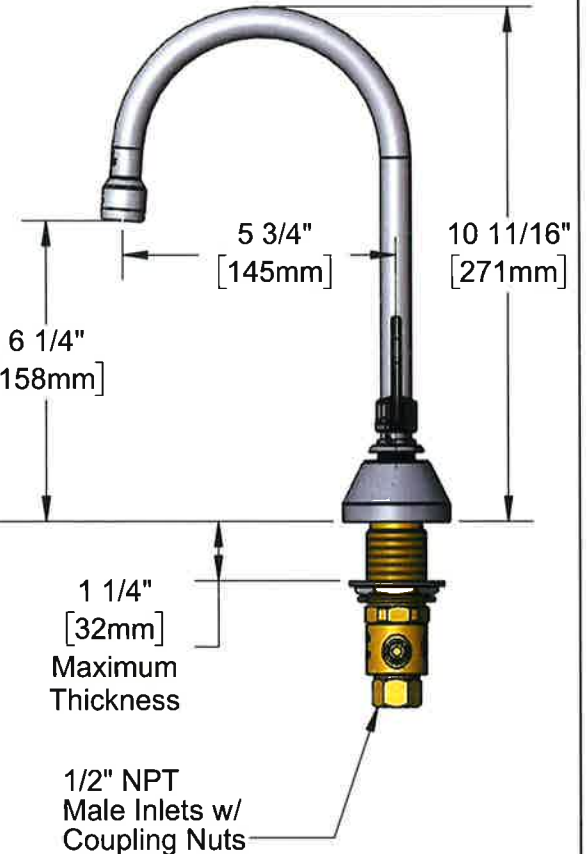
Ø 2"
[51mm]
Swivel Deck
Flange

Quarter-Turn
Eterna Cartridges w/
Spring Checks &
4" Wrist Action
Handles
w/ Color Coded Indexes

4 1/4"
[108mm]

Mounting
Surface

8"
[203mm]



6 1/4"
[158mm]

5 3/4"
[145mm]

10 11/16"
[271mm]

1 1/4"
[32mm]
Maximum
Thickness

1/2" NPT
Male Inlets w/
Coupling Nuts

Rough-In Requirement:
Center Shank: Ø 1" [25mm] Mounting Hole
Hot/Cold Sides: Ø 1 1/2" [38mm] Mounting Holes

Product Specifications:
8" Concealed Widespread EasyInstall Mixing Faucet, 4" Wrist Action
Handles, Quarter-Turn Eterna Cartridges w/ Spring Checks & 5 3/4"
Rigid/Swivel Gooseneck w/ 2.2 GPM Aerator & 1/2" NPT Male Inlets

Product Compliance:

ASME A112.18.1 / CSA B125.1
NSF 61 - Section 9
NSF 372 (Low Lead Content)
ANSI A117.1 (ADA)



T&S BRASS AND BRONZE WORKS, INC.

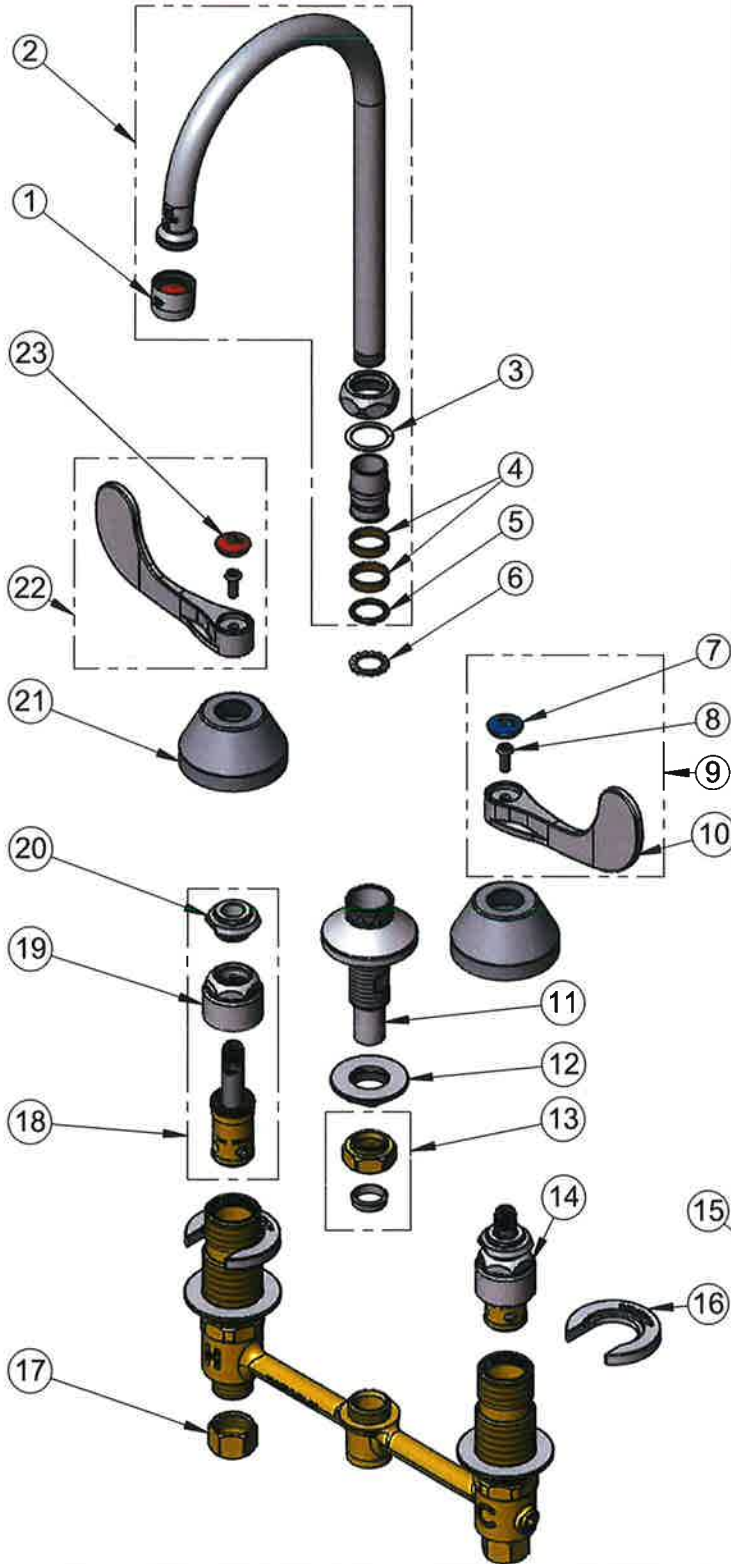
2 Saddleback Cove / P.O. Box 1088
Travelers Rest, SC 29690

Model No.

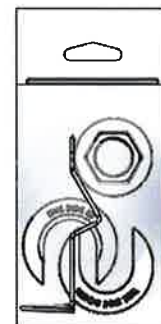
B-2866-05

Item No.

Travelers Rest, SC: 800-476-4103 • Simi Valley, CA: 800-423-0150 • Fax: 864-834-3518 • www.tsbrass.com



ITEM NO.	SALES NO.	DESCRIPTION
1	B-0199-01	2.2 GPM Aerator, 55/64-27 UN Female
2	133X-A22	5 3/4" Swivel Gooseneck w/ 2.2 GPM Aerator
3	009538-45	Swivel Washer
4	011429-45	Swivel Sleeves (2)
5	001074-45	O-Ring
6	014200-45	Star Washer, Anti-Rotation
7	018506-19NS	Blue Button Index, Press-in
8	000925-45	Lab Handle Screw
9	B-WH4C-NS	Wrist Action Handle, Screw & Cold Index
10	B-WH4-NS	Wrist Action Handle - New Style
11	016754-40NS	EasyInstall CWS Swivel Center Shank
12	016742-45	Center Flange Nut
13	016745-45	Compression Nut & Fitting
14	016752-40NS	EasyInstall, CWS Quarter-Turn Eterna Cartridge w/ Spring Check, LTC
15	016777-45	CWS Hanger
16	016749-45	Sidebody C-Washer
17	000958-20	Coupling Nut
18	016753-40NS	EasyInstall, CWS Quarter-Turn Eterna Cartridge w/ Spring Check, RTC
19	016743-25	CWS Eterna Bonnet
20	009002-40NS	Packing Assembly (New Style)
21	001257-40NS	Bell Escutcheon
22	B-WH4H-NS	Wrist Action Handle, Screw & Hot Index
23	001193-19NS	Red Button Index, Press-in



017245-40
Installation Repair Kit
Includes #12, (2)#16, & #15

Product Specifications:
8" Concealed Widespread EasyInstall Mixing Faucet, 4" Wrist Action Handles, Quarter-Turn Eterna Cartridges w/ Spring Checks & 5 3/4" Rigid/Swivel Gooseneck w/ 2.2 GPM Aerator & 1/2" NPT Male Inlets

Product Compliance:
ASME A112.18.1 / CSA B125.1
NSF 61 - Section 9
NSF 372 (Low Lead Content)
ANSI A117.1 (ADA)



McGuire Manufacturing Co., Inc.
60 Grandview Court
P.O. Box 746 ♣ Cheshire, CT 06410
203-699-1801 ♣ Fax: 203-699-1813
www.mcguiremfg.com

PRODUCT SPECIFICATION

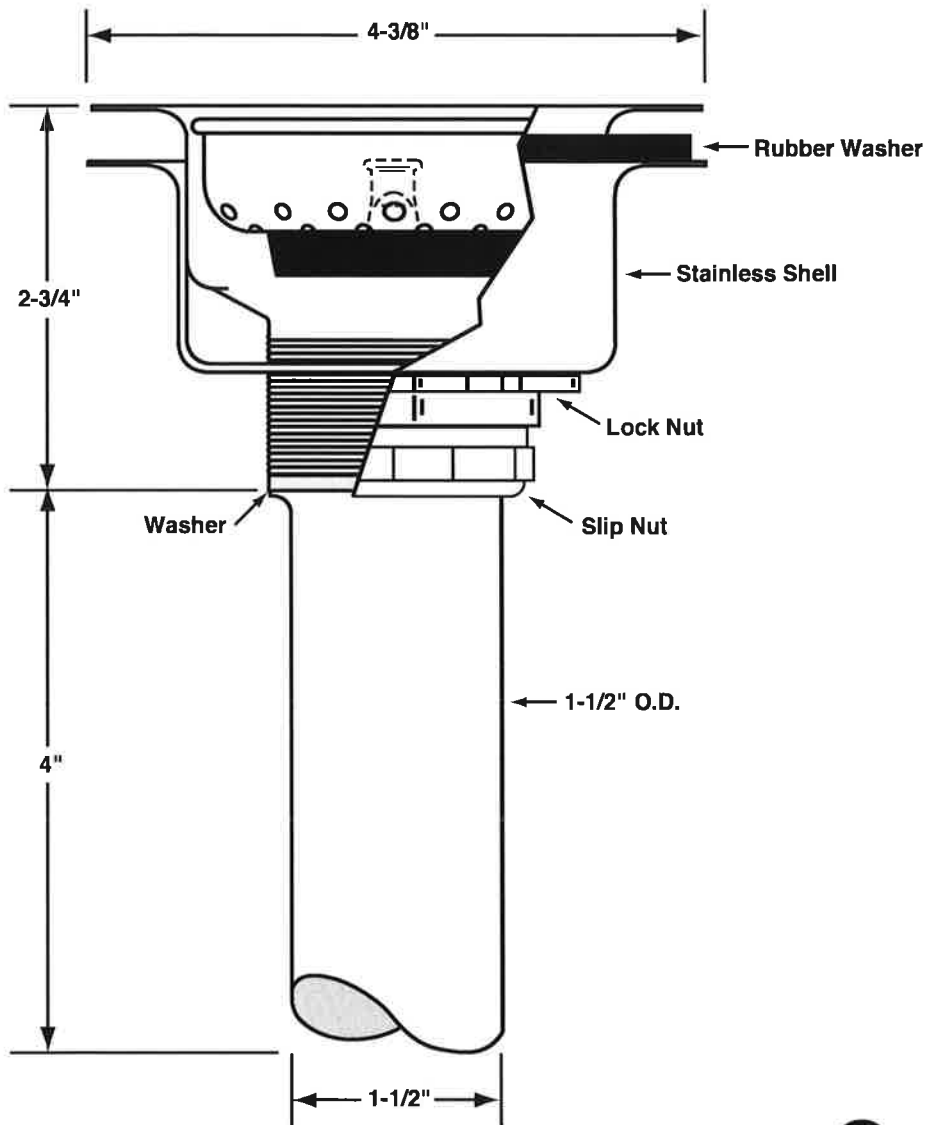
Part No.

151A

**Stainless Steel
Basket Strainer**

Job Name:

Submittal Number:



See options and accessories section for details on product variations.

Specifications:

Heavy Duty Forged Stainless Steel Basket Strainer with 1-1/2" x 4" seamless brass tailpiece, die cast slip and lock nuts. Basket Strainer shall be in compliance with CSA or other recognized testing authority and bear both manufacturer and testing mark.



McGuire Manufacturing Co., Inc.

60 Grandview Court
 Cheshire, Connecticut 06410
 (203) 699-1801 Fax (203) 699-1813
 customerservice@mcguiremfg.com mcguiremfg.com

PRODUCT SPECIFICATION

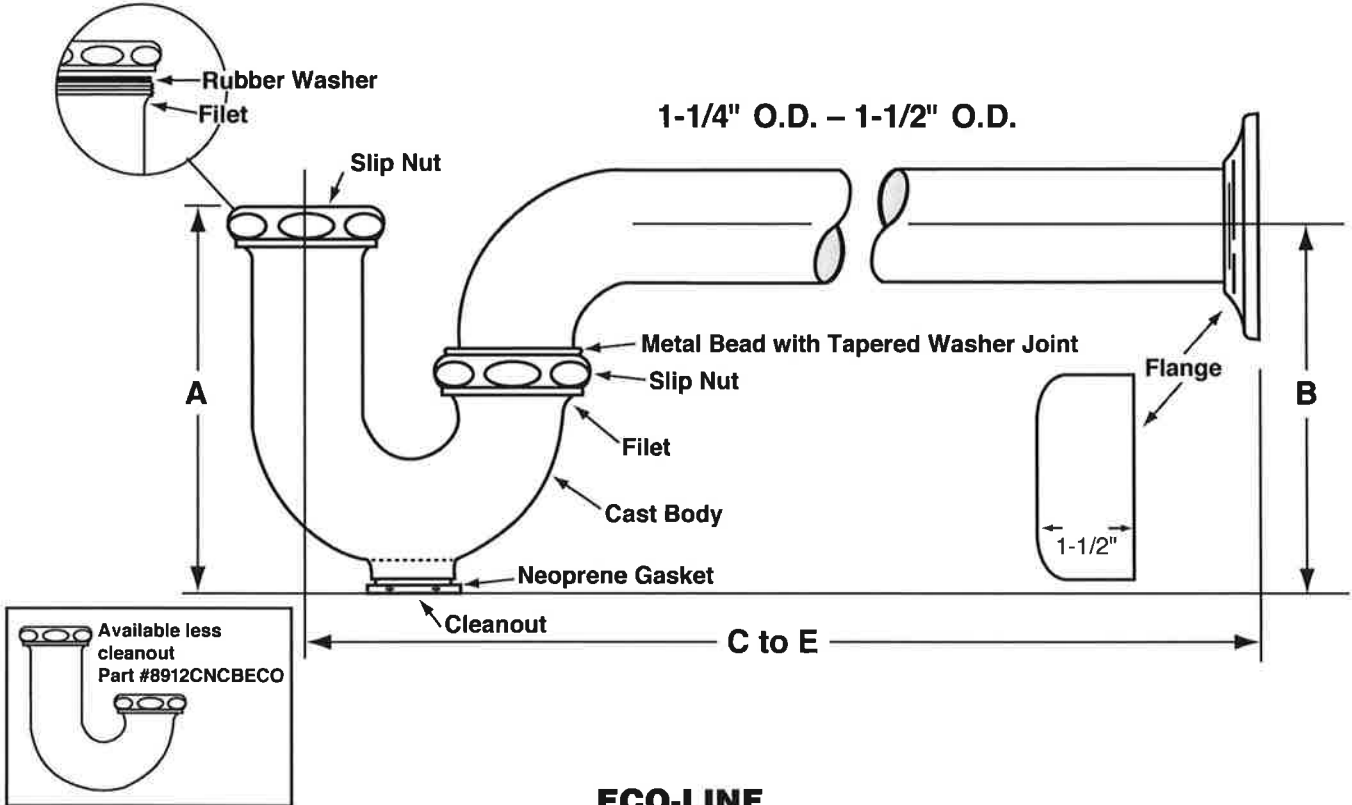
Part No.

C8912CECO

**Cast Body P-Trap With
 or Without Cleanout**

Job Name:

Submittal Number:



ECO-LINE

ROUGHING MEASUREMENTS							
MODEL NO.	TRAP DIMENSIONS		A	B	C to E	FLANGE	SLIP NUT
	INLET	OUTLET					
C8912CECO	1-1/2", 1-1/4"	1-1/2"	5"	5"	10-1/2"	Shallow	Zinc

**FED SPEC W.W.P. 541
 CAST BRASS P-TRAP
 MINIMUM SEAL 2"**



ASME A112.18.2/CSA B125.2

Specifications:

Chrome plated P-Trap shall be cast brass body, with or without cleanout, with 17 gauge seamless tubular wall bend and flange.



WARNING:

This product can expose you to chemicals including lead, which is known to the State of California to cause cancer, and birth defects or other reproductive harm. For more information go to www.P65Warnings.ca.gov.



McGuire Manufacturing Co., Inc.

60 Grandview Court
 P.O. Box 746 • Cheshire, CT 06410
 203-699-1801 • Fax: 203-699-1813
 www.mcguiremfg.com

PRODUCT SPECIFICATION

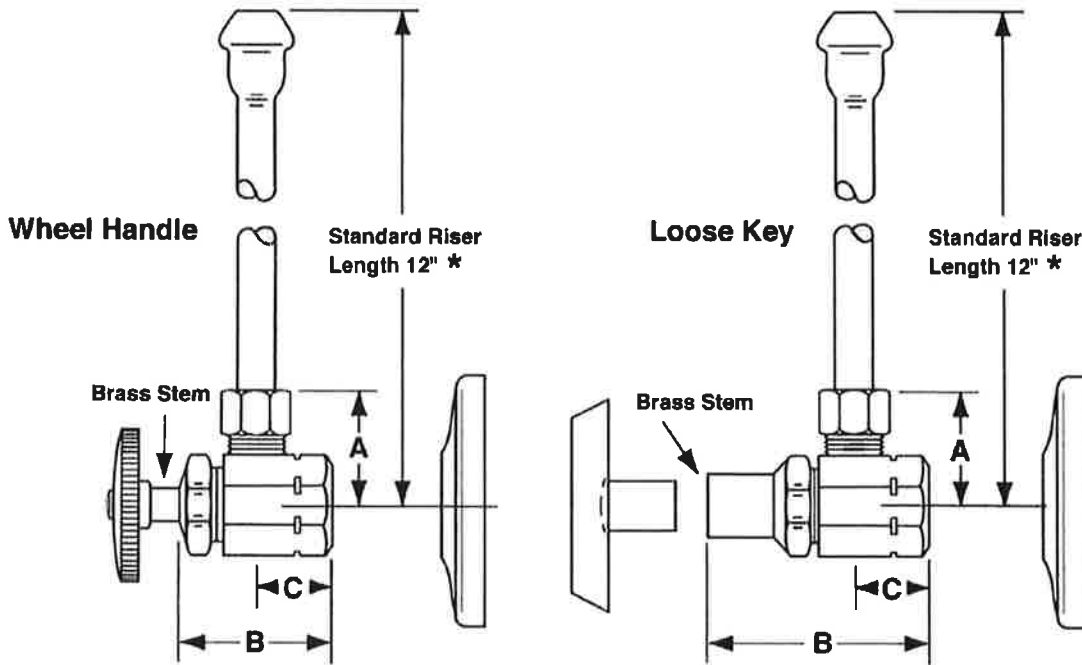
Part No.

**LF2165, LF2165LK,
 LF2167, LF2167LK**

**Lavatory Supply
 1/2" I.P.S. x O.D.**

Job Name:

Submittal Number:



NO.	DESCRIPTION	ROUGHING MEASUREMENTS		
		A	B	C
LF2165	1/2" I.P.S. x 3/8" O.D.	1-3/16"	1-1/2"	3/4"
LF2165LK	1/2" I.P.S. x 3/8" O.D.	1-3/16"	2-1/4"	3/4"
LF2167	1/2" I.P.S. x 1/2" O.D.	1-3/16"	1-1/2"	3/4"
LF2167LK	1/2" I.P.S. x 1/2" O.D.	1-3/16"	2-1/4"	3/4"



LK designates Loose Key

* See options and accessories section for details on product variations.



Specifications:

Supply kit shall include low lead chrome plated brass supply stop valves with full turn brass stem, no plastic, (12, 15, 20) inch chrome plated risers and (shallow, deep, bell) (steel, brass) or (forged brass with set screw) flange. Inlet shall be (3/8, 1/2) inch (IPS, compression). Outlet shall be (3/8, 1/2) inch compression. Supply kit shall be McGuire _____. Supply kit shall be low lead certified by recognized authority and bear manufacturer and testing mark.

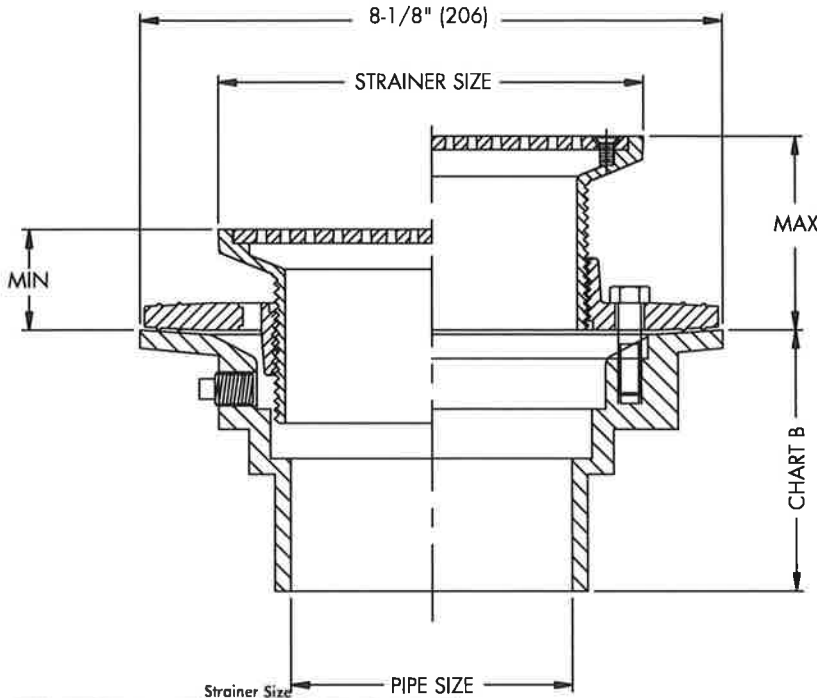
FD-1



FD-100-A
Tag: FD-1

Floor Drain with Round Strainer

SPECIFICATION: Watts Drainage FD-100-A epoxy coated cast iron floor drain with anchor flange, reversible clamping collar with primary & secondary weepholes, adjustable round nickel bronze strainer, and no hub (standard) outlet.



Str. Dia.	Min.	Max.	Load Rating	Free Area Sq. In.
5"(127)	13/16"(21)	3-1/4"(83)	*MD	8
6"(152)	7/8"(22)	3-3/8"(86)	*MD	9
7"(178)	11/16"(17)	3-1/4"(83)	*MD	12
8"(203)	7/8"(22)	3-1/4"(83)	*MD	18
10"(254)	1-1/4"(32)	3-1/4"(83)	*HD	28

* The load classifications are in accordance with the American National Standards ASME A112.21.1M ASME Ratings are as follows:
MD - Safe Live Load 2000-4999 lbs. (900-2250kg)
HD - Safe Live Load 5000-7499 lbs. (2250-3375kg)
The above categories are given as a guide only. Please consult factory.

Chart B

	Sid.	P	T	X	60/61
Pipe Size	No Hub	Push On	Female Thread	Inside Caulk	PVC/ABS
2"(51)	3-5/8"(92)	4-1/4"(108)	4-1/4"(108)	4-1/2"(114)	4"(102)
3"(76)	3-5/8"(92)	4-1/4"(108)	4-1/4"(108)	4-1/2"(114)	4"(102)
4"(102)	3-5/8"(92)	4-1/4"(108)	4-1/4"(108)	4-1/2"(114)	4"(102)
6"(152)	3-1/2"(89)				

Components

B3 B3-XYC
A FC-1

Pipe Sizing (Select One)

Suffix	Description	
2	2"(51) Pipe Size	<input type="checkbox"/>
3	3"(76) Pipe Size	<input type="checkbox"/>
4	4"(102) Pipe Size	<input type="checkbox"/>
6	6"(152) No Hub Only	<input type="checkbox"/>

Outlet Type (Select One)

Suffix	Description	
NH	No Hub (MJ)	<input type="checkbox"/>
P	Push On	<input checked="" type="checkbox"/>
T	Threaded Outlet	<input type="checkbox"/>
X	Inside Caulk	<input type="checkbox"/>

Strainer (Select One)

Suffix	Description	
A5	5"(127) Diameter, Nickel Bronze	<input checked="" type="checkbox"/>
A6	6"(152) Diameter, Nickel Bronze	<input type="checkbox"/>
A7	7"(178) Diameter, Nickel Bronze	<input type="checkbox"/>
A8	8"(203) Diameter, Nickel Bronze	<input type="checkbox"/>
A10	10"(254) Diameter, Nickel Bronze	<input type="checkbox"/>

Options (Select One or More)

Suffix	Description	
-5	Sediment Bucket	<input type="checkbox"/>
-6	Vandal Proof	<input type="checkbox"/>
-7	Trap Primer Tapping	<input checked="" type="checkbox"/>
-8	Backwater Valve (2", 3", 4" Only)	<input type="checkbox"/>
-13	Galvanized Body	<input type="checkbox"/>
-15	Strainer Extension (DD-50)	<input type="checkbox"/>
-F4-50	4" Round Cast Iron Funnel	<input type="checkbox"/>
-F4-1	4" Round Nickel Bronze Funnel	<input type="checkbox"/>
-F6-1	6" Round Nickel Bronze Funnel	<input type="checkbox"/>
-G-50	4x9" Oval Cast Iron Funnel	<input type="checkbox"/>
-G-1	4x9" Oval Nickel Bronze Funnel	<input type="checkbox"/>
-SO	Side Outlet	<input type="checkbox"/>

Optional Body Material

Suffix	Description	
-60	PVC Body w/Socket Outlet	<input type="checkbox"/>
-61	ABS Body w/Socket Outlet	<input type="checkbox"/>

Job Name LR Children's Clinic Contractor Comfort Systems USA
 Job Location LR Contractor's P.O. No. _____
 Engineer ECCI Representative Sanders Supply

WATTS Drainage reserves the right to modify or change product design or construction without prior notice and without incurring any obligation to make similar changes and modifications to products previously or subsequently sold. See your WATTS Drainage representative for any clarification. Dimensions are subject to manufacturing tolerances.



Specification Drainage Products

USA: 100 Watts Road, Spindale, NC, 28160-2298; TEL: 828-288-2179 TOLL-FREE: 1-800-338-2581 www.watts.com

Location: FD-1

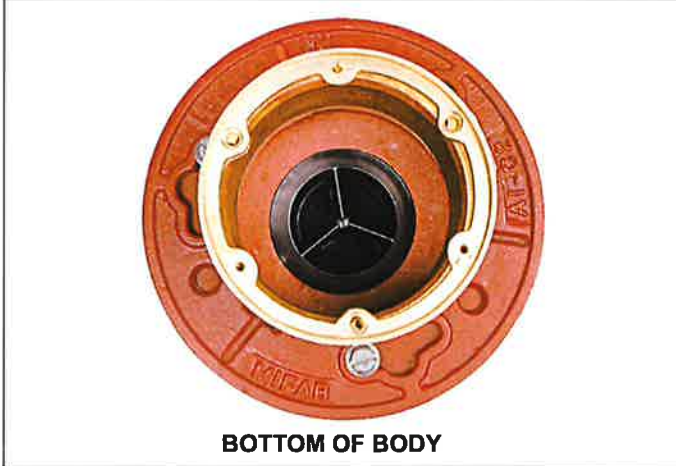
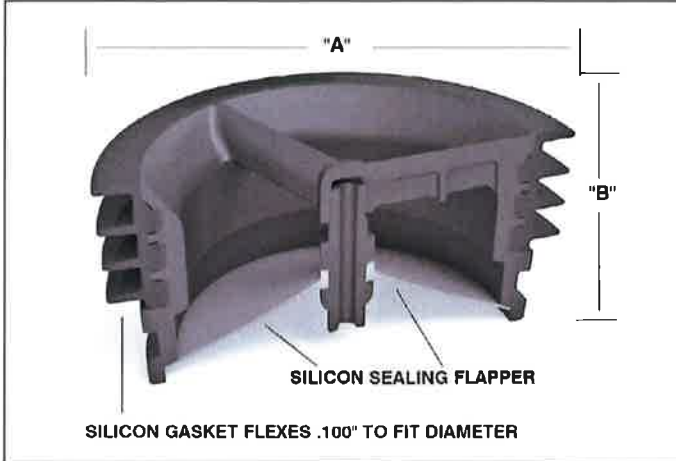


MI-GARD®

FLOOR DRAIN TRAP SEAL

Specification: MIFAB® MI-GARD® Series inline floor drain trap seal with UV resistant ABS plastic frame, silicon rubber sealing flapper and four flexible sealing ribs. Tested and certified to the ASSE 1072 Standard and listed with IAPMO and I.P.C. Specify connection size (1 1/2", 2", 3", 3 1/2", 4" or 6"). 10 year warranty is included.

Function: Used in the outlet connections of floor drain bodies, or the inside of floor drain strainers to seal the opening to prevent odors, sewer gases, and insects from entering up through the floor drain grate. The MI-GARD®'s four flexible silicone sealing ribs ensure easy installation into openings that have variations in size. The MI-GARD® will open to allow drainage and close when there is no water flow.



MODEL NO.	"A" (PIPE SIZE)	"B" (HEIGHT)
○ MI-GARD-1.5	1-1/2" (38)	2" (51)
○ MI-GARD-2	2" (51)	2" (51)
○ MI-GARD-3	3" (76)	2" (51)
○ MI-GARD-3.5	3 1/2" (89)	2" (51)
○ MI-GARD-4	4" (102)	2" (51)
○ MI-GARD-6	6" (152)	2" (51)

MI-GARD® prevents the following from entering through the top of floor drains:

- Odors and sewer gases
- Insects

Not intended to be used in lieu of a trap seal primer. 6" MI-GARD not IAPMO certified. Note:

The MI-GARD-6 is designed in accordance with industry standards but is not listed. MI-GARD Floor Drain Trap Seals are in compliance with International Plumbing Code (I.P.C.)



MI-GARD-1.5

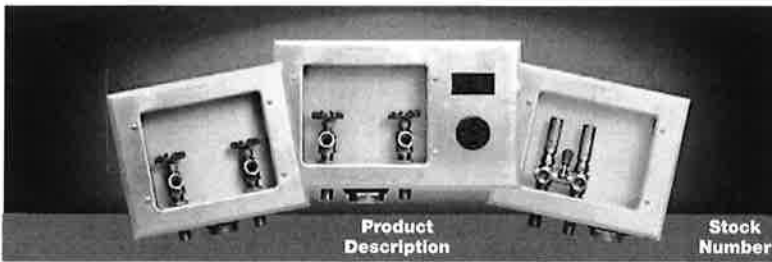
CALIFORNIA PROPOSITION 65 WARNING. This product contains chemicals known to the State of California to cause cancer and birth defects or other reproductive harm.

Job Name: LR Children's Clinic Page No: _____

Section No: _____ Contractor: Comfort Systems USA

Schedule No: _____ Purchase Order No: _____

WB-1



**Product
Description**

**Stock
Number**

**Model
Number**

**UPC
BarCode**

**Cu. Ft./
Case**

**Units/
Case**

**Lbs./
Case**

**1-800-889-8312
Fax 901-853-5008**

GUY GRAY ORIGINAL WASHING MACHINE OUTLET BOXES

- 20 Gauge Box / 20 Gauge Faceplate
- Available with 110 Volt and 220 Volt Electrical Outlets
- 4-Wire Available on Models Designated With NW Prefix

- Available with 1/4 Turn Ball Valves, 1/4 Turn Ball Valves with Hammer Arresters, Single Lever or Domestic Valves

- G90 Hot Dipped Galvanized Steel (Unpainted)
- Male Threaded Drain Fitting & Locknut Included

GUY GRAY "B" SERIES

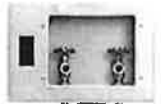
CENTER DRAIN GALVANIZED WASHING MACHINE OUTLET BOXES

1/2" MIP/Sweat Conx. Valve - 1 1/2" Threaded Drain	82026	B150	012181-820261	1.940	6	39
1/2" MIP/Sweat Conx. Valve - 2" Threaded Drain	82032	B200	012181-820322	1.940	6	39
Top Mount 1/2" MIP/Sweat Conx. Valves - 2" Threaded Drain	82036	BB200TS	012181-820360	1.940	6	41
Domestic Valve w/1/2" Pex conx. - 2" Threaded Drain	81974	B200X	012181-819746	1.940	6	39
Domestic Valve w/1/2" CPVC conx. - 2" Threaded Drain	81975	B200C	012181-819753	1.940	6	39



CENTER DRAIN GALVANIZED WASHING MACHINE OUTLET BOXES W/DUPLEX RECEPTACLE

1/2" MIP/Sweat Valve - 2" Threaded Drain - 3 Wire Receptacle	82033	BE200	012181-820339	2.280	6	45
Top Mount 1/2" MIP/Sweat - 2" Threaded Drain-3 Wire Receptacle	82037	BBE200TS	012181-820377	2.280	6	46



CENTER DRAIN GALVANIZED WASHING MACHINE OUTLET BOXES W/DUPLEX & DRYER RECEPTACLES

1/2" MIP/Sweat Valve - 1 1/2" Threaded Drain - 3 Wire Receptacle	82028	BED150	012181-820285	2.620	6	51
1/2" MIP/Sweat Valve - 2" Threaded Drain - 3 Wire Receptacle	82034	BED200	012181-820346	2.620	6	53
Top Mount 1/2" MIP/Sweat - 2" Threaded Drain-3 Wire Receptacle	82038	BBED200TS	012181-820384	2.620	6	50



CENTER DRAIN GALVANIZED WASHING MACHINE OUTLET BOXES W/DUPLEX & DRYER RECEPTACLES ON RIGHT

1/2" MIP/Sweat Valve - 2" Threaded Drain - 3 Wire Receptacle	82142	NWBED2003	012181-821428	2.620	6	52
1/2" MIP/Sweat Valve - 2" Threaded Drain - 4 Wire Receptacle	82035	NWBED2004	012181-820353	2.620	6	55
1/2" Qtr. Turn Sweat Valve - 2" Threaded Drain - 4 Wire Receptacle	88079	NWBEDQT2004	012181-880791	2.620	6	30



RIGHT DRAIN GALVANIZED WASHING MACHINE OUTLET BOXES

1/2" MIP/Sweat Conx. Valve - 1 1/2" Threaded Drain	82030	FB150	012181-820308	1.940	6	38
1/2" MIP/Sweat Conx. Valve - 2" Threaded Drain	82039	FB200	012181-820391	1.940	6	38
1/2" MIP/Sweat Conx. Single Lever Valve - 1 1/2" Threaded Drain	82031	WB150	012181-820315	1.940	6	45
1/2" MIP/Sweat Conx. Single Lever Valve - 2" Threaded Drain	82043	WB200	012181-820438	1.940	6	41



RIGHT DRAIN GALVANIZED WASHING MACHINE OUTLET BOXES WITH HAMMER ARRESTERS VALVES

Single Lever Valve w/Hammer Arresters - 2" Drain	82048	WB200HA	012181-820483	1.940	6	45
Single Lever Valve w/Hammer Arresters - 2" Drain/Top Supply	82049	WB200HATM	012181-820490	1.940	6	45



RIGHT DRAIN GALVANIZED WASHING MACHINE OUTLET BOXES W/DUPLEX RECEPTACLE

1/2" MIP/Sweat Valve - 2" Thrded Drain - 3 Wire Receptacle	82040	FBE200	012181-820407	2.280	6	43
1/2" MIP/Sweat Single Lvr Valve - 2" Thrded Drain - 3 Wire Receptacle	82044	WBE200	012181-820445	2.280	6	52
1/2" MIP/Sweat Valve w/Arrstrs - 2" Thrded Drain - 3 Wire Receptacle	82047	WBE200HA	012181-824076	2.280	6	52



RIGHT DRAIN GALVANIZED WASHING MACHINE OUTLET BOXES W/DUPLEX & DRYER RECEPTACLE

1/2" MIP/Sweat Valve - 2" Thrded Drain - 3 Wire Receptacle	82041	FBED200	012181-820414	2.620	6	50
1/2" MIP/Sweat Single Lvr Valve - 2" Thrded Drain - 3 Wire Receptacle	82045	WBED200	012181-820452	2.620	6	53



RIGHT DRAIN GALVANIZED WASHING MACHINE OUTLET BOXES W/DUPLEX & DRYER RECEPTACLE ON RIGHT

1/2" MIP/Sweat Valves - 2" Thrded Drain - 4 Wire Receptacle	82042	NWFBED2004	012181-820421	2.620	6	54
1/2" MIP/Sweat Single Lvr Valves - 2" Thrded Drain - 3 Wire Receptacle	82046	NWNBED2003	012181-820469	2.620	6	62
1/2" MIP/Sweat Single Lvr Valves - 2" Thrded Drain - 4 Wire Receptacle	82144	NWNBED2004	012181-821442	2.620	6	62



FCO

Engineering Specification

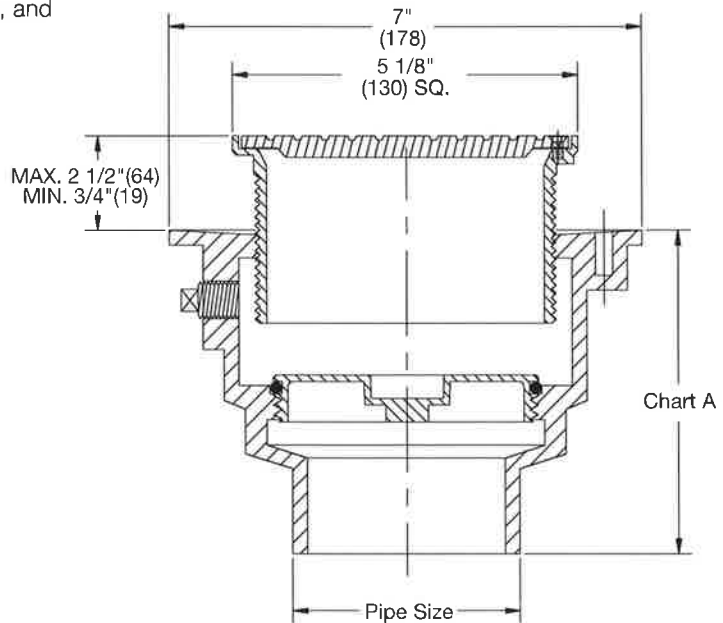
Job Name **LR Children's Clinic**
 Job Location **LR**
 Engineer **ECCI**
 Approval _____
 Tag **FCO**

Contractor **Comfort Systems USA**
 Approval _____
 Contractor's P.O. No. _____
 Representative **Sanders Supply**

CO-1200-R Floor Cleanout with Heavy Duty Round Stainless Steel Top

Specification

Watts CO-1200-R epoxy coated cast iron floor cleanout with 5"(127) round adjustable gasketed heavy duty stainless steel top, removable gas tight gasketed brass cleanout plug, and no hub (standard) outlet.



Pipe Sizing		
Suffix	Description	
2	2"(51) Pipe Size	<input type="checkbox"/>
3	3"(76) Pipe Size	<input type="checkbox"/>
4	4"(102) Pipe Size	<input type="checkbox"/>

Outlet Type		
Suffix	Description	
NH	No Hub (MJ)	<input type="checkbox"/>
P	Push On	<input checked="" type="checkbox"/>
X	Inside Caulk	<input type="checkbox"/>

Options		
Suffix	Description	
-6	Vandal Proof	<input type="checkbox"/>
-13	Galvanized Body	<input type="checkbox"/>
-28	304 SS Body & Plug	<input type="checkbox"/>

Optional Body Material		
Suffix	Description	
-60	PVC Body w/Poly Plug	<input type="checkbox"/>
-61	ABS Body w/Poly Plug	<input type="checkbox"/>

Load Rating
*HD

Chart A

	NH(MJ)	P	60/61
Pipe Size	No Hub	Push On	PVC/ABS
2"	4 1/2"(114)	5 1/2"(140)	4"(102)
3"	4 1/2"(114)	5 1/2"(140)	4"(102)
4"	4 3/4"(121)	5 1/2"(140)	4"(102)

NOTICE

* The load classifications are in accordance with the American National Standards ASME A112.6.3. ASME Ratings are as follows:
 HD - Safe Live Load 5000-7499 lbs.(2250-3375kg)
 The above categories are given as a guide only.
 Please consult factory.

NOTICE

The information contained herein is not intended to replace the full product installation and safety information available or the experience of a trained product installer. You are required to thoroughly read all installation instructions and product safety information before beginning the installation of this product.

Watts product specifications in U.S. customary units and metric are approximate and are provided for reference only. For precise measurements, please contact Watts Technical Service. Watts reserves the right to change or modify product design, construction, specifications, or materials without prior notice and without incurring any obligation to make such changes and modifications on Watts products previously or subsequently sold.



WHA

Engineering Specification

Job Name LR Children's Clinic
 Job Location LR
 Engineer EECI
 Approval _____

Contractor Comfort Systems USA
 Approval _____
 Contractor's P.O. No. _____
 Representative Sanders Supply

LF15M2-DR Series

Water Hammer Arrestor

Specification

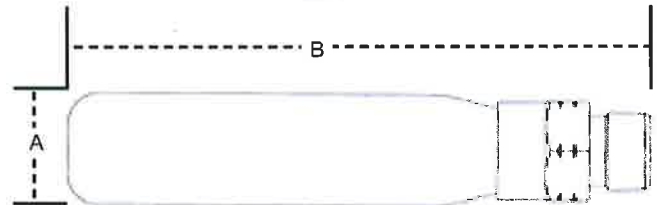
Watts LF15M2-DR Series lead free* pre-charged copper water hammer arrestor with polypropylene piston, EPDM o-ring seal, and brass NPT threaded connection.

Operating Pressure

Designed to operate on all domestic and commercial lines up to 150 psi (10.6 bar) working pressure.

Temperature Range

33°F to 180°F (0.5°C to 82°C)



Call customer service if you need assistance with technical details.

Size	Connection	Dimensions				PDI Size	Fixture Units
		A		B			
	Threaded	in.	mm	in.	mm.		
LF15M2-A-DR	1/2"	1 1/8	28.5	5 15/16	150.9	A	1-11
LF15M2-B-DR	3/4"	1 3/8	34.9	8 9/16	218.0	B	12-32
LF15M2-C-DR	1"	1 5/8	41.3	8 13/16	223.5	C	33-60
LF15M2-D-DR	1"	2 1/8	54.0	9 15/16	252.5	D	61-113
LF15M2-E-DR	1"	2 1/8	54.0	12 11/16	322.5	E	114-154
LF15M2-F-DR	1"	2 5/8	66.7	11 5/32	283.5	F	155-330

NOTICE

The information contained herein is not intended to replace the full product installation and safety information available or the experience of a trained product installer. You are required to thoroughly read all installation instructions and product safety information before beginning the installation of this product.

Watts product specifications in U.S. customary units and metric are approximate and are provided for reference only. For precise measurements, please contact Watts Technical Service. Watts reserves the right to change or modify product design, construction, specifications, or materials without prior notice and without incurring any obligation to make such changes and modifications on Watts products previously or subsequently sold.



USA: T: (800) 338-2581 • Watts.com
Canada: T: (888) 208-8927 • Watts.ca
Latin America: T: (52) 55-4122-0138 • Watts.com