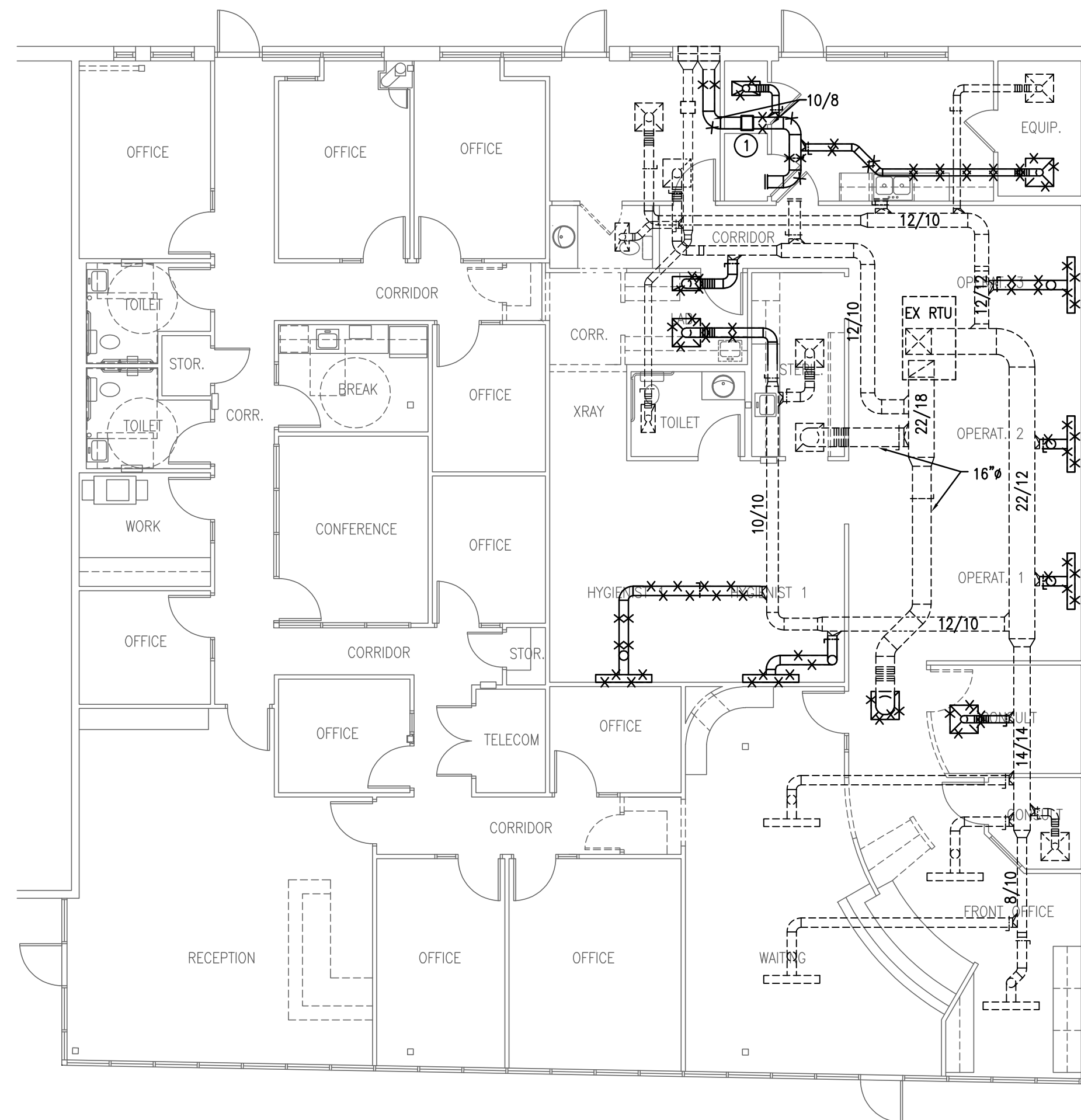
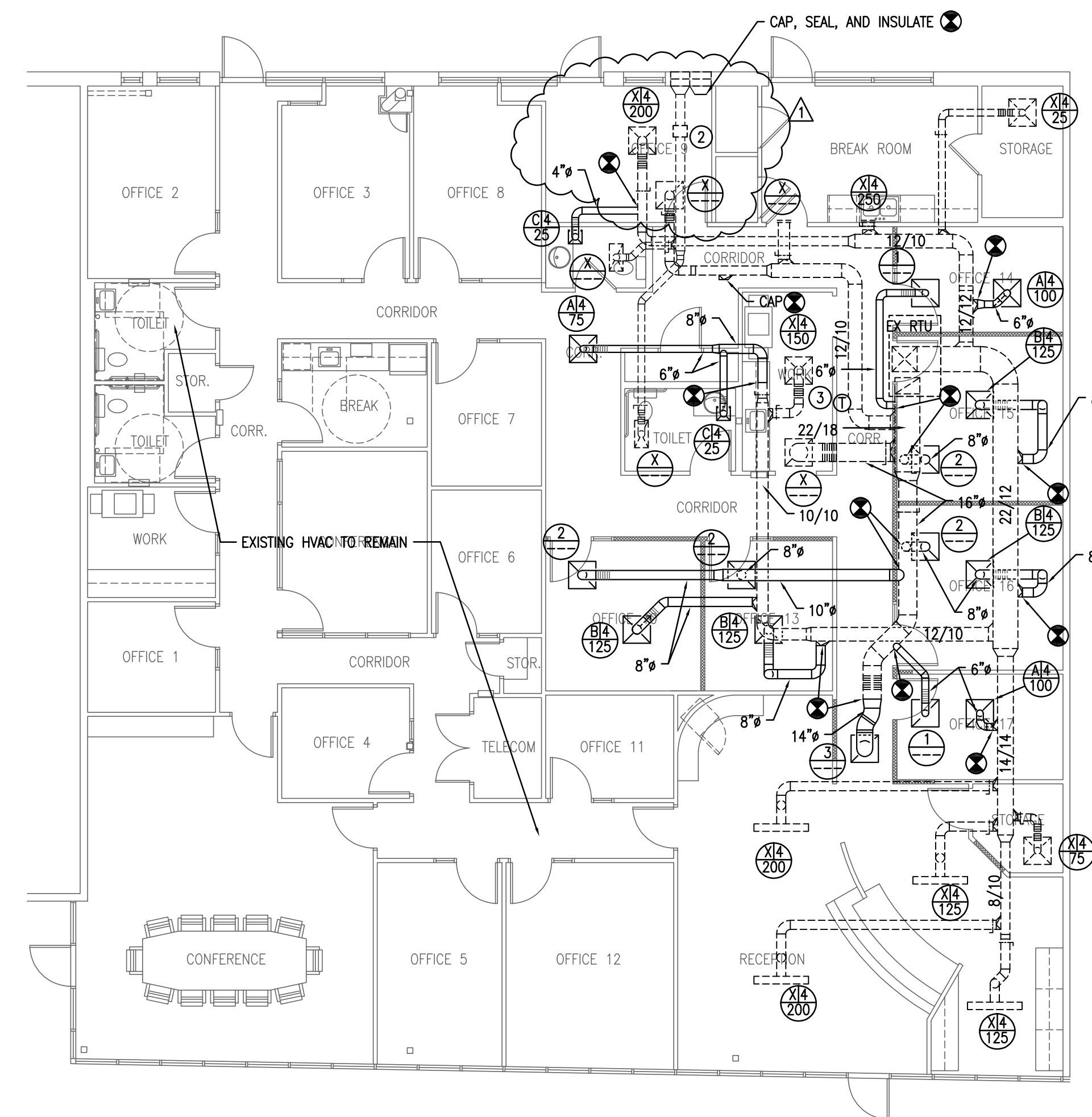


MECHANICAL NOTES

- ALL WORK MUST COMPLY WITH THE REQUIREMENTS OF LOCAL CODES AND ORDINANCES. WHERE INSPECTIONS ARE REQUIRED BY AUTHORITIES HAVING JURISDICTION, WORK MUST NOT BE CONCEALED UNTIL INSPECTIONS AND TESTING ARE COMPLETED AND ACCEPTED.
- CONTRACTOR MUST BECOME THOROUGHLY FAMILIAR WITH THE REQUIREMENTS OF THE GENERAL NOTES AS WELL AS ALL OTHER NOTES SHOWN ON THE CONTRACT DOCUMENTS. VISIT THE SITE TO ESTABLISH THE EXISTING CONDITIONS PRIOR TO BID AND PRIOR TO ANY DUCT, PIPE OR EQUIP. FABRICATION. SYSTEMS MUST BE ERECTED USING CONTRACTOR'S FIELD MEASUREMENTS FOR COORDINATION WITH EQUIPMENT, STRUCTURE, FIRE PROTECTION & ELEC. CONDITIONS IN THE SPACE.
- ALL CONTRACT DOCUMENTS ARE DIAGRAMMATIC AND INDICATE THE GENERAL ARRANGEMENTS OR GEOMETRICAL RELATIONSHIPS OF EQUIPMENT AND SERVICES. THEY ARE NOT INTENDED TO SPECIFY OR SHOW EVERY OFFSET, SEQUENCE, DEVICE, OPTION, FITTING, OR COMPONENT. DO NOT SCALE DRAWINGS.
- INFORMATION AND COMPONENTS SHOWN ON DIAGRAMS OR DETAILS, BUT NOT SHOWN ON PLANS, AND VICE VERSA, MUST BE PROVIDED AS IF EXPRESSLY REQUIRED BY BOTH.
- EXCEPT WHERE INDICATED OTHERWISE, THE NOTATION OR DESCRIPTION OF ANY ITEM IN THE CONTRACT DOCUMENTS CARRIES WITH IT THE INSTRUCTION TO FURNISH AND INSTALL THE ITEM, WHETHER OR NOT THIS INSTRUCTION IS EXPLICITLY STATED.
- COORDINATE PLACEMENT OF ALL MECHANICAL RELATED EQUIPMENT AND DEVICES WITH OTHER TRADES. DO NOT POSITION OR INSTALL ANY MECHANICAL EQUIP. OR DEVICES IN ANY SYSTEM IN SUCH A WAY THAT IT WILL BE INACCESSIBLE OR UNMAINTAINABLE AFTER CONSTRUCTION IS COMPLETED. PROVIDE DUCT ACCESS DOORS AT FIRE DAMPERS, ETC.
- NO OTHER TRADES ARE ALLOWED TO BE SUPPORTED FROM MATERIALS, EQUIPMENT OR DEVICES INSTALLED BY THE MECHANICAL TRADES. LIKEWISE, ALL WORK INSTALLED BY THE MECHANICAL TRADES MUST BE SUPPORTED FROM THE STRUCTURE ABOVE, FROM WALLS, OR FROM THE FLOOR UNLESS OTHERWISE INDICATED.
- REPLACE OR REPAIR ALL ARCHITECTURAL FEATURES REMOVED OR DAMAGED DURING THE COURSE OF THE WORK. REPAIR OR REPLACEMENT MUST, AS A MINIMUM, EQUAL ORIGINAL CONDITION. SPECIAL CARE MUST BE TAKEN ON THE ROOFS TO PREVENT DAMAGE. ANY DAMAGE MUST BE PROMPTLY REPAIRED AT NO EXPENSE TO THE OWNER. COMPLY WITH BONDING REQUIREMENTS OF THE ROOFING MANUFACTURER.
- ALL MECHANICAL WORK MUST BE INSTALLED HIGH AS POSSIBLE SO AS TO MAINTAIN THE MAXIMUM POSSIBLE CLEARANCE ABOVE FINISHED FLOOR FOR TENANT FINISH-OUT.
- CEILING MOUNTED LIGHTING AND ELECTRICAL REQUIREMENTS TAKE PRECEDENCE OVER CEILING MOUNTED MECHANICAL REQUIREMENTS. SEE ARCHITECTURAL REFLECTED CEILING PLANS FOR CEILING GRID AND LIGHTING LAYOUT FOR COORDINATION OF FINAL AIR DEVICE LOCATIONS.
- FABRICATION AND INSTALLATION OF HVAC WORK IS TO COMPLY WITH SMACNA AND ALL APPLICABLE CODES.
- DUCT SIZES SHOWN ON PLANS INDICATE MINIMUM REQUIRED CLEAR INSIDE DIMENSIONS. ADJUST DUCT SIZES FOR LINER THICKNESS WHERE APPLICABLE OR WHERE SHOWN. SEE NOTES AND/OR SPECIFICATIONS FOR INSULATION TYPE AND STANDARDS.
- PROVIDE DUCT TRANSITIONS AS REQUIRED AT EQUIPMENT AND DEVICE CONNECTIONS WHERE DUCT SIZES INDICATED DIFFER FROM THE DUCT CONNECTION SIZE OR DUCT COLLAR.
- BALANCE MECHANICAL SYSTEMS TO PROVIDE INDICATED FLOWS. SEE SPECIFICATIONS FOR OTHER TEST AND BALANCE REQUIREMENTS. SUBMIT FINAL BALANCE REPORT OF MECHANICAL SYSTEMS (AIRFLOW ONLY) FOR REVIEW.



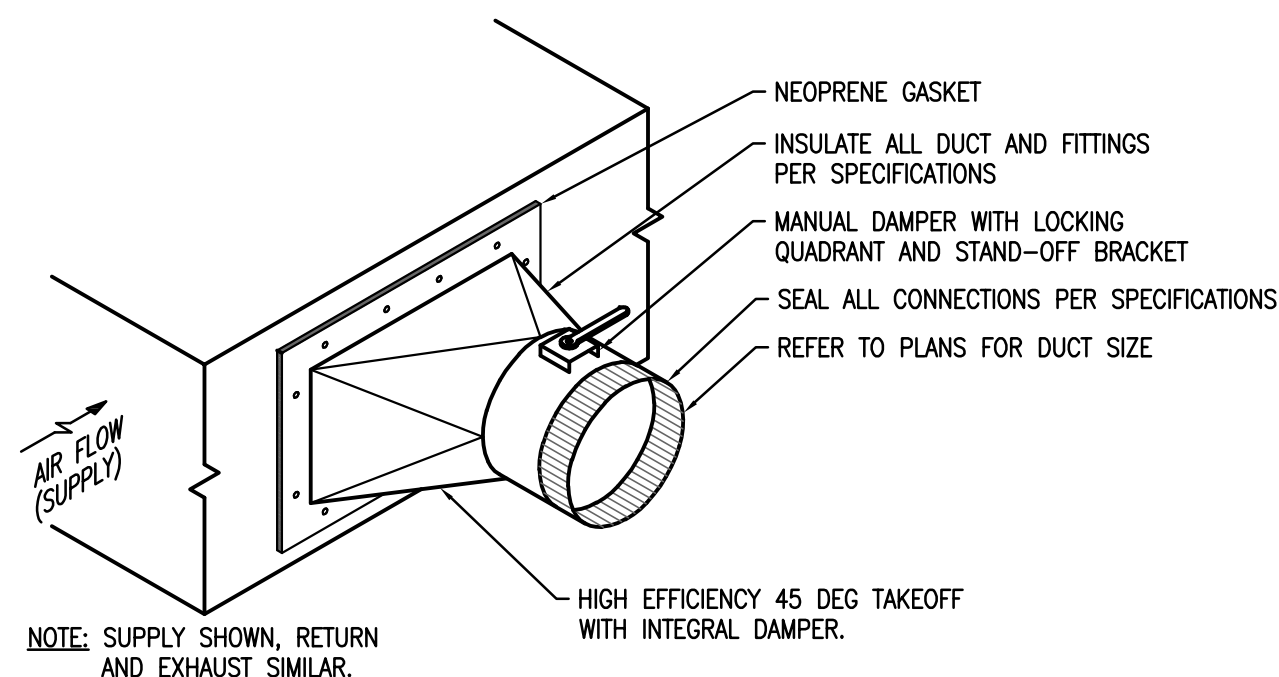
1 MECHANICAL DEMOLITION PLAN
SCALE: 1/8" = 1'-0"



2 MECHANICAL PLAN
SCALE: 1/8" = 1'-0"

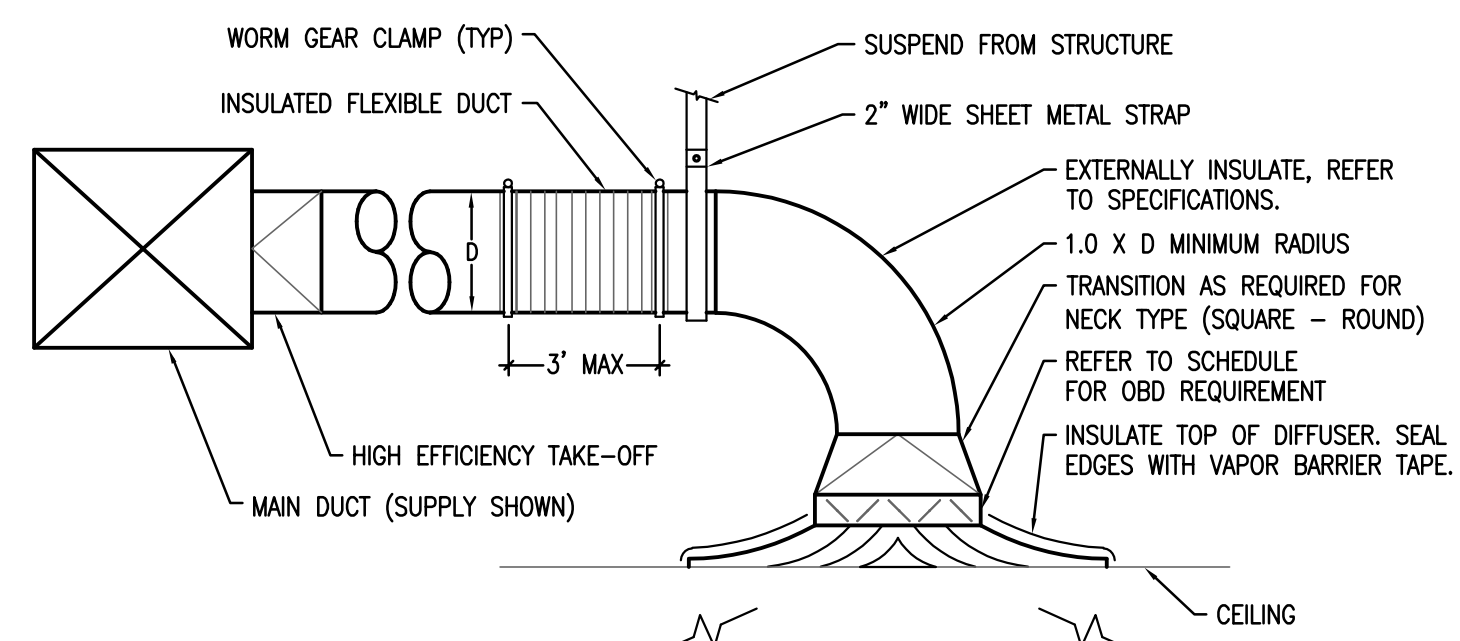
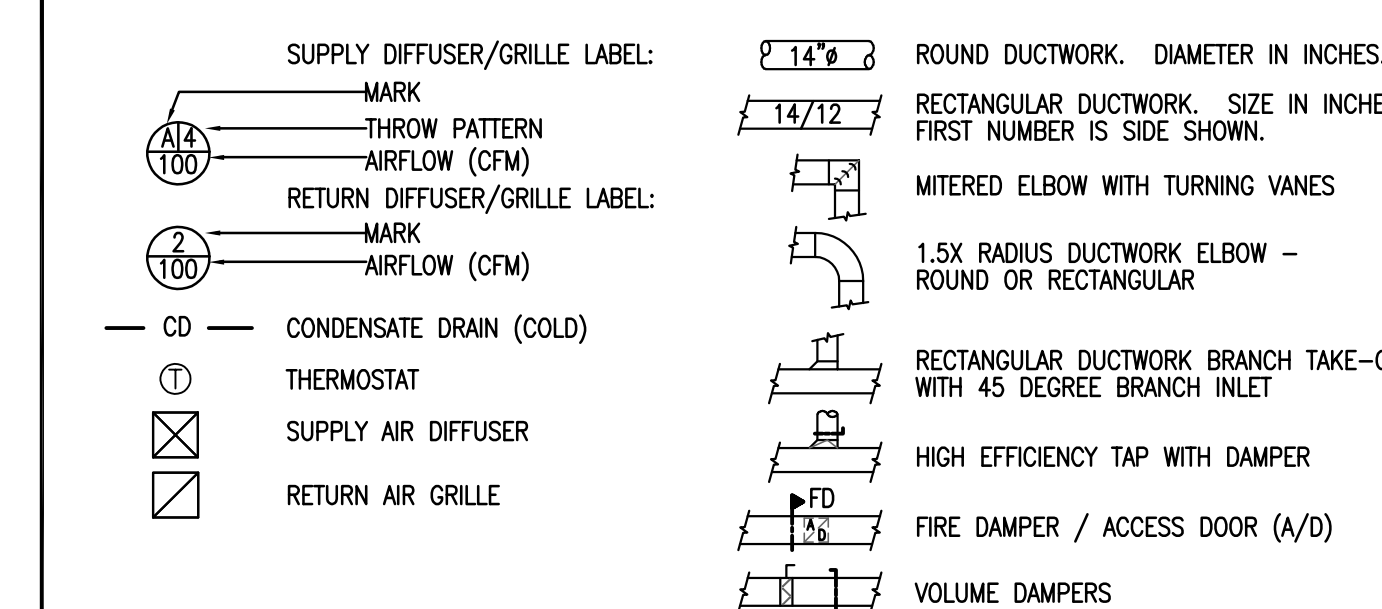
KEYED NOTES:

- REMOVE EXISTING IN-LINE EXHAUST FAN AND ASSOCIATED DUCTWORK, POWER, CONTROL, ETC.
- EXISTING EXHAUST FAN TO REMAIN.
- EXISTING THERMOSTAT TO REMAIN



3 ROUND DUCT TAKE-OFF DETAIL
SCALE: NONE

MECHANICAL LEGEND



4 CEILING DIFFUSER DETAIL
SCALE: NONE

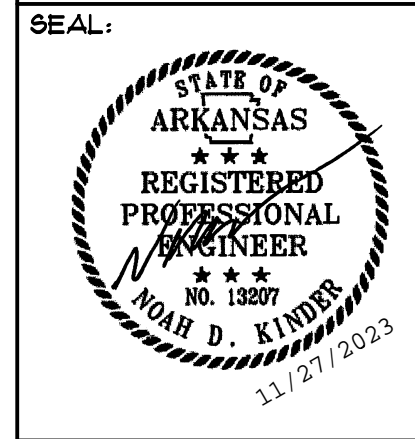
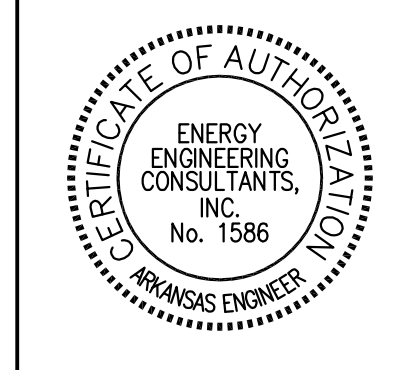
AIR DEVICES

MARK	REFERENCE PRODUCT	USE	MAXIMUM AIRFLOW (CFM)	TYPE	STYLE	NECK SIZE (INCHES)	FACE SIZE (INCHES)	MAXIMUM APD (INCHES W.C.)	MAXIMUM N.C. RATING	MATERIAL	FINISH	PROVIDE OBD	REMARKS
A	PRICE SCD	SUPPLY	100	CEILING	LOUVERED	6" Ø	24 x 24	0.03	25	STEEL	WHITE	YES	
B	PRICE SCD	SUPPLY	225	CEILING	LOUVERED	8" Ø	24 x 24	0.04	25	STEEL	WHITE	YES	
C	PRICE SCD	SUPPLY	100	CEILING	LOUVERED	6" Ø	12 x 12	0.03	25	STEEL	WHITE	YES	
1	PRICE 80	RETURN / EXHAUST	100	CEILING	EGGCRATE	6 x 6	24 x 24	-0.04	20	ALUMINUM	WHITE	NO	PROVIDE WITH 6"Ø ADAPTER
2	PRICE 80	RETURN / EXHAUST	225	CEILING	EGGCRATE	8 x 8	24 x 24	-0.04	20	ALUMINUM	WHITE	NO	PROVIDE WITH 8"Ø ADAPTER
3	PRICE 80	RETURN / EXHAUST	750	CEILING	EGGCRATE	14 x 14	24 x 24	-0.05	20	ALUMINUM	WHITE	NO	PROVIDE WITH 14"Ø ADAPTER
X													EXISTING GRILLE TO REMAIN. BALANCE AS INDICATED.

NOTES:

- ACCEPTABLE MANUFACTURERS: KRUEGER, METALAIR, PRICE, TITUS, AND TUTTLE & BAILEY.
- ALL CEILING DIFFUSERS SHALL BE 4-WAY THROW UNLESS OTHERWISE INDICATED ON PLANS.
- COORDINATE WITH ARCHITECTURAL ROOM FINISH SCHEDULES FOR DEVICE FRAMING REQUIREMENTS.
- PROVIDE OPPOSED BLADE DAMPERS AT ALL BRANCH TAKE-OFFS EVEN IF OBD'S ARE INDICATED FOR AIR DEVICES.
- PROVIDE SQUARE TO ROUND TRANSITIONS AS REQUIRED FOR CONNECTION TO GRILLES.

EECI
ENERGY ENGINEERING CONSULTANTS, INC.
10 CORPORATE HILL DR., STE. 100
LITTLE ROCK, AR 72205
PH: (501) 244-0511
FX: (501) 244-0241



SMALL AND ASSOCIATES
LITTLE ROCK, ARKANSAS

REVISIONS:
11/27/2023
DATE:
10-02-2023
PROJECT NUMBER:
203033
DRAWING NUMBER:

M1.1