

Quality People. Building Solutions.

Comfort Systems USA (Arkansas), Inc.
P.O. Box 16620
Little Rock, AR 72231
Phone 501-834-3320
Fax 501-834-5416

Date: 3/9/2023

Return Request: 3/19/2023

Project: Ritz Theater – Phase 3

Supplier: Sanders Supply

Submittal: Plumbing Fixtures

Submittal Number: 22 40 00-01

Drawing # and Installation: Plumbing Drawings

ARCHITECT

SCM Architects
1400 Kirk Road, Suite 220
Little Rock, AR 72223
501-224-3055

ENGINEER

Pettit & Pettit
201 E. Markham St, #400
Little Rock, AR 72201
501-374-3731

GENERAL CONTRACTOR

Clark Contractors
15825 Cantrell Rd.
Little Rock, AR 72223
501-868-3133

MECHANICAL SUBCONTRACTOR

Comfort Systems USA (Arkansas), Inc.
9924 Landers Rd.
N. Little Rock, AR 72117
501-834-3320

Notes:

CSUSA PROJECT NO.

23-1004

jon@comfortar.com

P-1

INSTALLATION INSTRUCTIONS

FLOOR MOUNTED BOTTOM OUTLET FLUSH VALVE TOILETS



ALL 16-1/2" RIGHT HEIGHT® TOILETS MEET ADA GUIDELINES:



Meets the American Disabilities Act Guidelines and ANSI A117.1 Requirements for the Physically Challenged

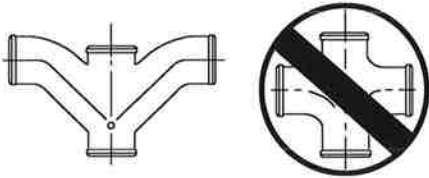
Thank you for selecting American Standard – the benchmark of fine quality for over 100 years. To ensure this product is installed properly, please read these instructions carefully before you begin. (Certain installations may require professional help.) Also be sure your installation conforms to local codes.

⚠ CAUTION: PRODUCT IS FRAGILE. TWO PEOPLE ARE RECOMMENDED FOR HANDLING TO AVOID BREAKAGE AND POSSIBLE INJURY!
NOTE: For proper operation product requires a minimum of 30 psi working line pressure

RECOMMENDED TOOLS AND MATERIALS

Putty Knife	Regular Screwdriver	Sealant	Carpenters Level
Adjustable Wrench	Phillips Screwdriver	Tape Measure	Flush Valve

BACK-TO-BACK INSTALLATION

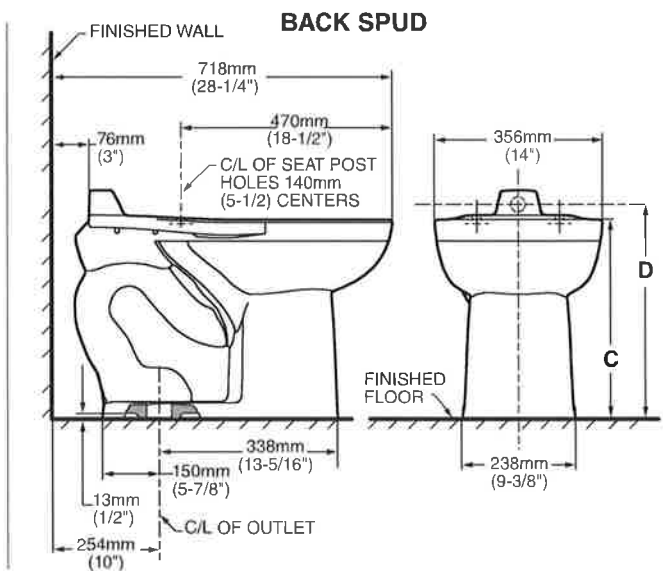
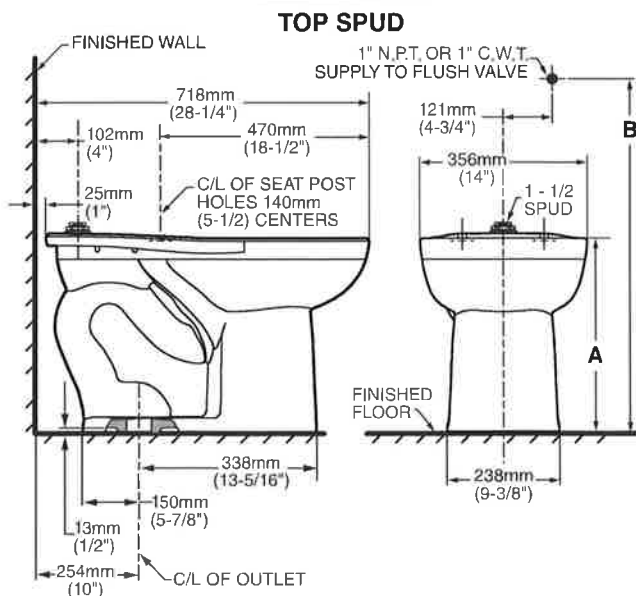


Recommended fitting type for back-to-back installations.

Depending upon your plumbing and venting conditions, the flow from this toilet in a back-to-back installation may create a vacuum on the system and draw water from the opposing bowl. The National Standards Plumbing Code prohibits the use of a cross fitting for drainage as throw over is possible. The code does approve a directional "Y" style fitting with proper venting to direct the water downward and away from the other toilet.

1 Pictures may not exactly define contour of china.

TOP SPUD		BOWL TYPE	BACK SPUD	
A	B		C	D
381mm (15")	673mm (26-1/2")	NORMAL HEIGHT 15"	381mm (15")	400mm (15-3/4")
419mm (16-1/2")	711mm (28")	RIGHT HEIGHT® 16-1/2"	419mm (16-1/2")	438mm (17-1/4")
356mm (14")	673mm (26-1/2")	YOUTH HEIGHT 14"	—	—



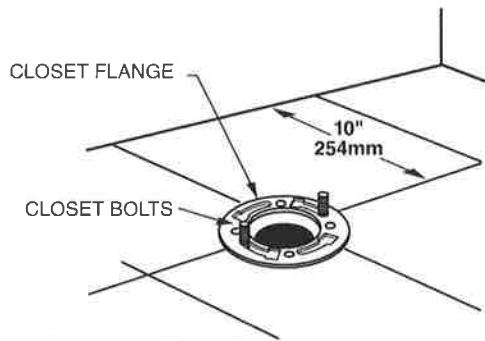
7601166-10064

Product names listed herein are trademarks of AS America, Inc.
© AS Americas Inc., 2019

7301166-100 Rev. 4 9/19

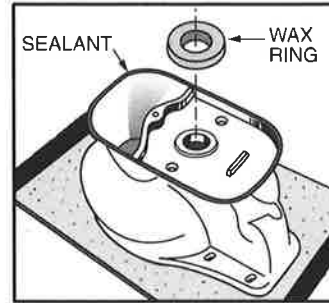
USE FOR FUTURE SAVE

2

**INSTALL CLOSET BOLTS**

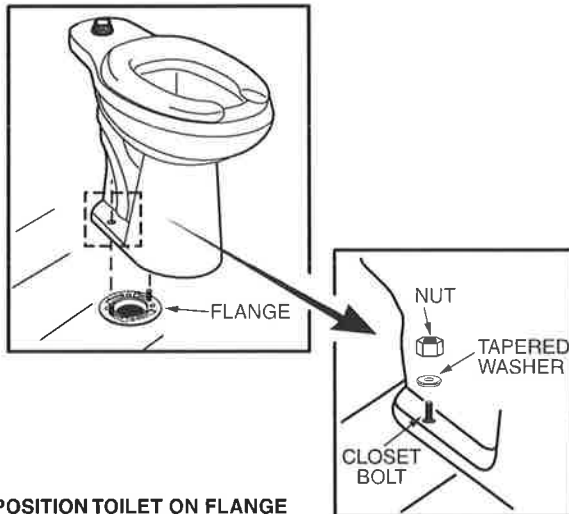
Install closet bolts in flange channel, turn 90°, and slide into place 6" (152 mm) apart and parallel to wall.

3

**INSTALL WAX SEAL**

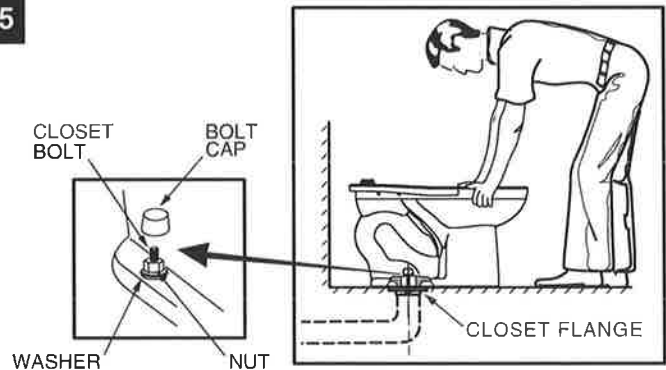
Invert toilet on floor (cushion to prevent damage), and install wax ring evenly around waste flange (horn), with tapered end of ring facing toilet. Apply a thin bead of sealant around toilet base.

4

**POSITION TOILET ON FLANGE**

- Unplug floor waste opening and install toilet on closet flange so bolts project through mounting holes.
- Loosely install retainer washers and nuts. Side of washers marked "THIS SIDE UP" must face up!

5

**INSTALL TOILET**

- Position toilet squarely to wall and, with a rocking motion, press bowl down fully on wax ring and flange. Alternately tighten nuts until toilet is firmly seated on floor.
 - CAUTION:**
DO NOT OVERTIGHTEN NUTS OR BASE MAY BE DAMAGED!
- Install caps on washers. (If necessary, cut bolt height to size before installing caps.)
- Smooth off the bead of sealant around base. Remove excess sealant.

AS AMERICA, INC. ONE YEAR LIMITED WARRANTY

If inspection of this AS America, Inc. ("American Standard") plumbing product, within one year after its initial purchase, confirms that it is defective in materials or workmanship, American Standard will repair or, at its option, exchange the product for a similar model.

This limited warranty applies only to the original purchaser and installation of these products. In the event of a limited warranty claim, proof of purchase will be required—save sales receipt.

This limited warranty does not apply to local building code compliance. Since local building codes vary considerably, the purchaser of this product should check with a local building or plumbing contractor to insure local code compliance before installation.

This limited warranty is void if the product has been moved from its initial place of installation; if it has been subjected to faulty maintenance, abuse, misuse, accident or other damages; if it was not installed in accordance with American Standard's instructions; or if it has been modified in a manner inconsistent with the product as shipped by American Standard.

American Standard's option to repair or exchange the product under this limited warranty does not cover any labor or other costs of removal or installation. IN NO EVENT WILL AMERICAN STANDARD BE LIABLE FOR THE COST OF REPAIR OR REPLACEMENT OF ANY INSTALLATION MATERIALS, INCLUDING BUT NOT LIMITED TO, TILES, MARBLE, ETC. American Standard will not be responsible for any other incidental or consequential damages attributable to a product defect or to the repair or exchange of a defective product, all of which are expressly excluded from this limited warranty. This limited warranty does not cover any liability for consequential or incidental damages, all of which are hereby expressly disclaimed, or the extension beyond the duration of this limited warranty of any implied limited warranties, including those of merchantability or fitness for an intended purpose. (Some states or provinces do not allow the exclusion or limitation of implied limited warranties, so this exclusion may not apply to you.)

This limited warranty gives you specific legal rights. You may have other statutory rights that vary from state to state or from province to province, in which case this limited warranty does not affect such statutory rights.

In the United States:
American Standard Brands
1 Centennial Ave
Piscataway, New Jersey 08854
Attention: Director of Customer Care
For residents of the United States, warranty information may also be obtained by calling the following toll free number: (800) 442-1902
www.americanstandard.com

In Canada:
LIXIL Canada, ULC
5900 Avebury Rd.
Mississauga, Ontario
Canada L5R 3M3
Toll Free: (800) 387-0369
www.americanstandard.ca

In Mexico:
American Standard B&K Mexico
S. de R.L. de C.V.
Via Morelos #330
Col. Santa Clara
Ecatepec 55540 Edo. Mexico
Toll Free: 01-800-839-1200
www.americanstandard.com.mx

THIS WARRANTY IS NOT TRANSFERABLE FROM ORIGINAL CONSUMER PURCHASER.



Aquaflush®

Z6000 Series

Aquaflush Exposed Flushometer

Installation, Operation, Maintenance and Parts Manual

Patented and Patents Pending



Z6000



Z6003



Aquaflush Exposed Closet/Urinal Systems

Z6000	Z6014
Z6001	Z6017
Z6003	Z6096
Z6010	Z6099

NOTICE: READ ENTIRE MANUAL PRIOR TO INSTALLING PRODUCT.

⚠ **WARNING:** Cancer and Reproductive Harm - www.P65Warnings.ca.gov

⚠ **ADVERTENCIA:** Cáncer y daño reproductivo - www.P65Warnings.ca.gov

⚠ **AVERTISSEMENT:** Cancer et effets néfastes sur la reproduction - www.P65Warnings.ca.gov

LIMITED WARRANTY

All goods sold hereunder are warranted to be free from defects in material and factory workmanship for a period of three years from the date of purchase. Decorative finishes warranted for one year. We will replace at no costs goods that prove defective provided we are notified in writing of such defect and the goods are returned to us prepaid at Sanford, NC, with evidence that they have been properly maintained and used in accordance with instructions. We shall not be responsible for any labor charges or any loss, injury or damages whatsoever, including incidental or consequential damages. The sole and exclusive remedy shall be limited to the replacement of the defective goods. Before installation and use, the purchaser shall determine the suitability of the product for his intended use and the purchaser assume all risk and liability whatever in connection therewith. Where permitted by law, the implied warranty of merchantability is expressly excluded. If the products sold hereunder are "consumer products," the implied warranty of merchantability is limited to a period of three years and shall be limited solely to the replacement of the defective goods. All weights stated in our catalogs and listed are approximate and are not guaranteed.

NOTE: The information in this manual is subject to change at any time without notice. Installations may be performed at different times of construction by different individuals. For this reason, these instructions should be left on-site with the facility or maintenance manager.

Aquaflush® Rough-In, Product Specification, Models and Options

ENGINEERING SPECIFICATION: ZURN Aquaflush Exposed Closet Flush Valve – Exposed, quiet diaphragm-type, chrome-plated flushometer valve with a polished exterior. Complete with a chloramine resistant, dual seal diaphragm with a clog resistant by-pass. The valve is ADA compliant with a non-hold open and no leak handle feature, high back pressure vacuum breaker, one-piece hex coupling nut, adjustable tailpiece, spud coupling, and flange for top spud connection. Control stop has internal siphon-guard protection. Internal seals are made of chloramine resistant materials.

Z6000PL Aquaflush Plus is furnished as specified above and includes sweat solder kit, vandal-resistant stop cap, and cast wall flange with setscrew.

MODELS

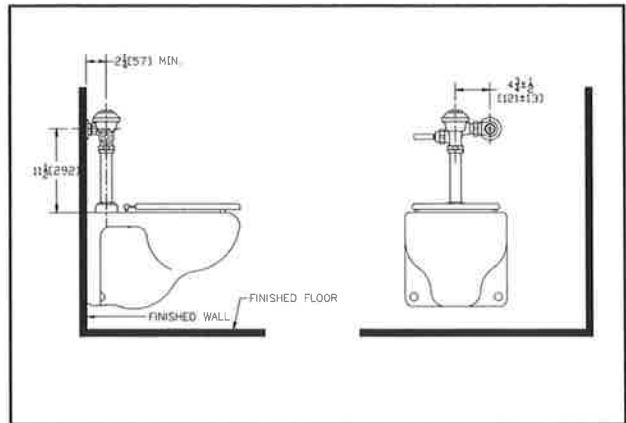
Z6000 – 1-1/2" Water Closet Valve with top spud connection.
 Z6010 – 1-1/2" Water Closet Valve with back spud connection.
 Z6001 – 1-1/4" Urinal Valve with top spud connection.
 Z6003 – 3/4" Urinal Valve with top spud connection.

FLOWS

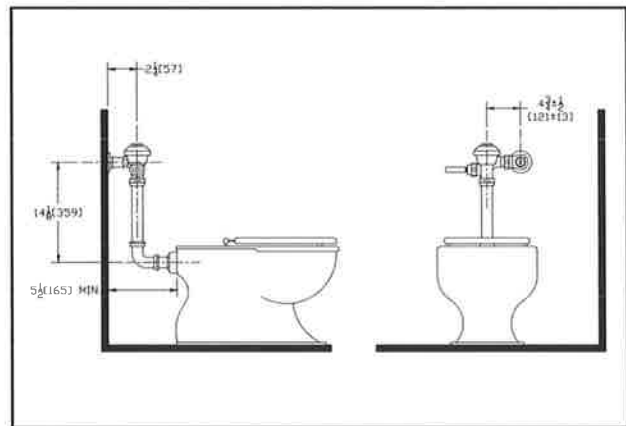
-FF Full Flow
 3.0 Gal. for Urinal, 4.5 Gal. for Water Closet
 -HET High Efficiency Toilet (PL Only)
 1.28 Gal. for Water Closet
 -WS1 Low Consumption
 1.0 Gal. for Urinal, 1.6 Gal. for Water Closet
 -WS 1.5 Gal. for Urinal, 3.5 Gal. for Water Closet
 -ULF 0.125 Gal. for Urinal (PL Only)

OPTIONS

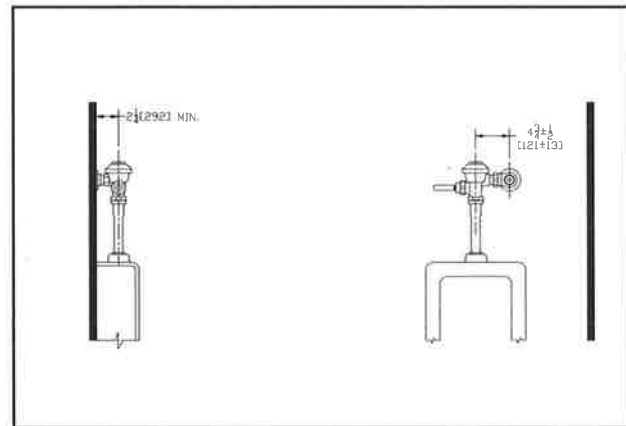
___-BG BioCare Handle
 ___-H Handle on Front of Flush Valve
 ___-L 1" [25] Metal Push Button
 ___-L3 3" [76] Metal Push Button
 ___-VC Vandal-Resistant Stop Cover
 ___-YB Sweat Solder Kit
 ___-YC Cast Wall Flange
 ___-YJ Split Ring Pipe Support
 ___-YK Solid Ring Pipe Support
 ___-YO Bumper on Stop Angle



Models: Z6000, Z6000-1, Z6000-2, Z6000-3,
 -HET (High Efficiency) 1.28 Gal.
 -WS1 (Water Saver) 1.6 Gal. Low Consumption



Models: Z6010, Z6010-1, Z6010-2,
 -HET (High Efficiency) 1.28 Gal.
 -WS1 (Water Saver) 1.6 Gal. Low Consumption



Models: Z6001 (1-1/4" urinal flush valve)
 Z6003 (3/4" urinal flush valve)
 -WS1 (Water Saver) 1.0 Gal. Low Consumption
 -ULF (Ultra Low Flow) 0.125 Gal.

Sweat Solder Adaptor Installation Instructions

Important:

- All plumbing is to be installed according to state and local codes and regulations.
- Water supply lines need to allow proper water flow for each fixture.
- Flush all lines of any **debris** before making connections.
- Do not use pipe sealant or plumbing grease on any fitting other than the control stop inlet.

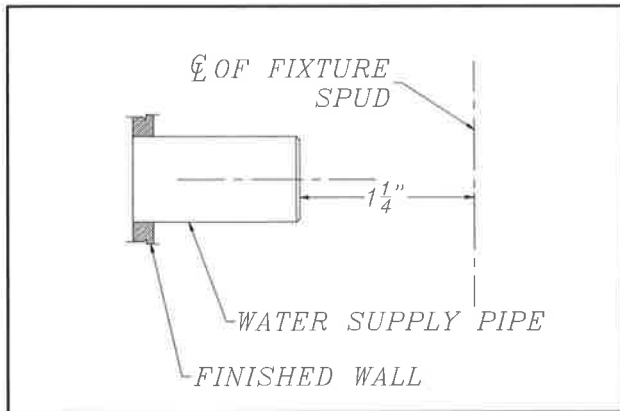
The Aquaflush valve is designed to operate under various water pressures with a recommended range between 10 and 100 psi (69 to 689 kPa). Each Zurn valve is tested for proper performance at the factory before being shipped. Consult the product pages of the catalog for available flow options.

Most low consumption fixtures (1.28 and 1.6 gallon) require a minimum of 25 psi running pressure through the valve to obtain proper evacuation. Please be sure to consult fixture manufacturer on minimum running water supply requirements for proper evacuation.

When installing your quality Zurn valve it is recommended that to protect the polished finish you do not use a toothed wrench. This will cause gouges and scratches on your valve.

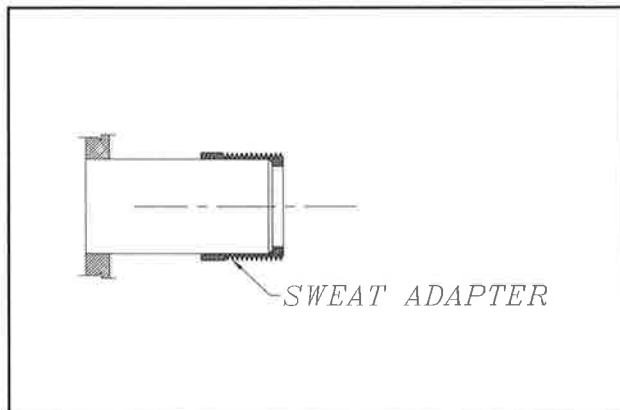
STEP NO. 1

Measure distance from finished wall to center line of fixture spud; cut water supply pipe 1-1/4" shorter than this measurement. Chamfer O.D. and I.D.



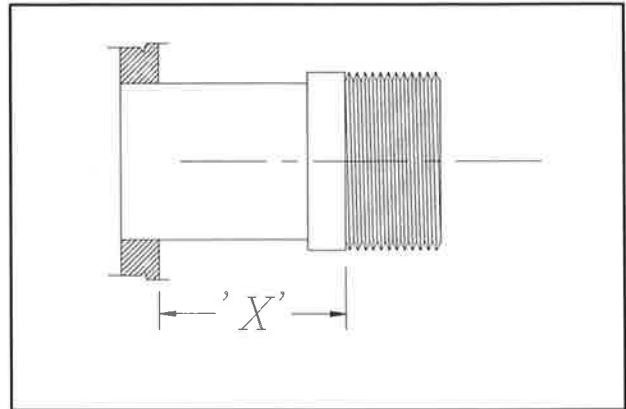
STEP NO. 2

Slide threaded adaptor onto supply pipe until shoulder stops on end of pipe. Then sweat-solder the adaptor to water supply pipe.



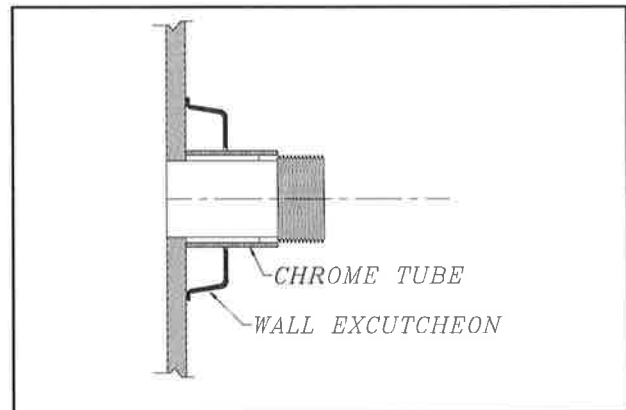
STEP NO. 3

Measure from finished wall to first thread of adaptor for length of chrome tube. Cut chrome tube this length 'x'.



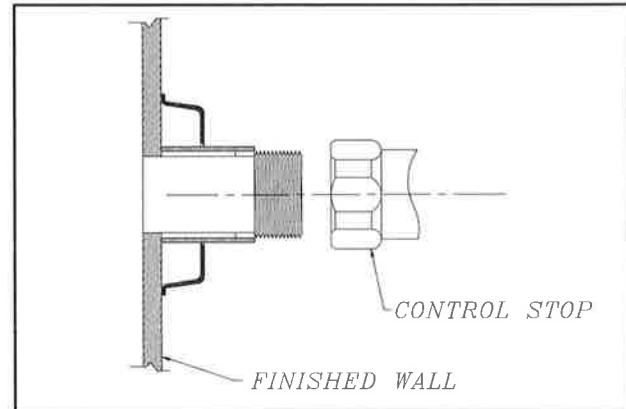
STEP NO. 4

Slide wall escutcheon over chrome tube and slide both chrome tube and wall escutcheon over supply pipe pushing the wall escutcheon all the way to the wall.



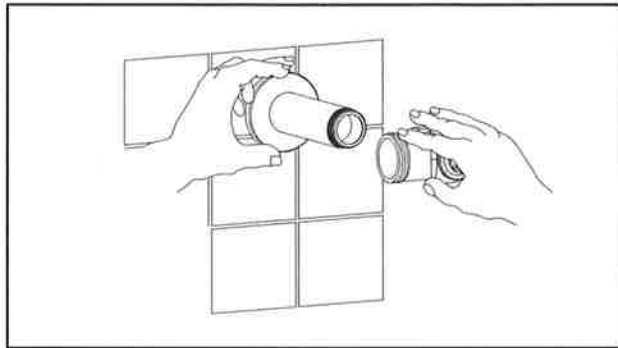
STEP NO. 5

Screw control stop onto water supply water adaptor.

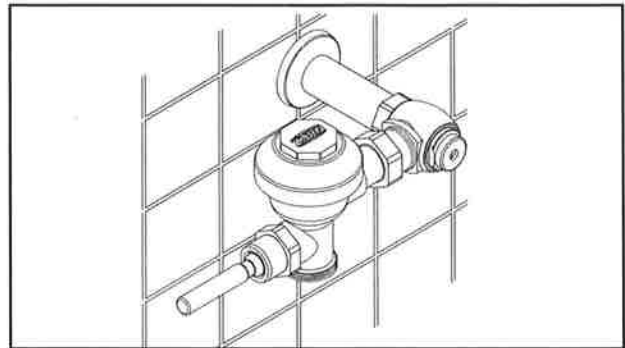


Aquaflush® Installation Instructions

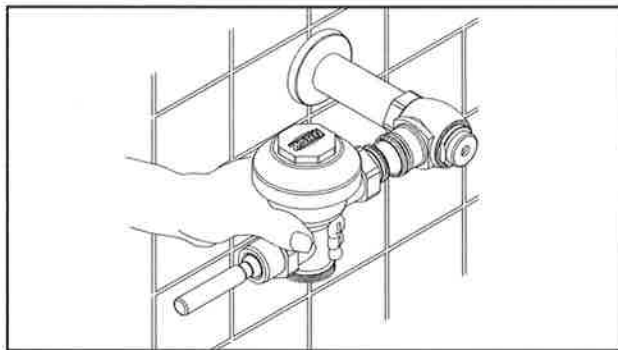
1. Install stop valve assembly using proper size supply escutcheon and sweat solder adapter kit if applicable (see 1). Thread sealing compounds should be used on male NPT threads only.



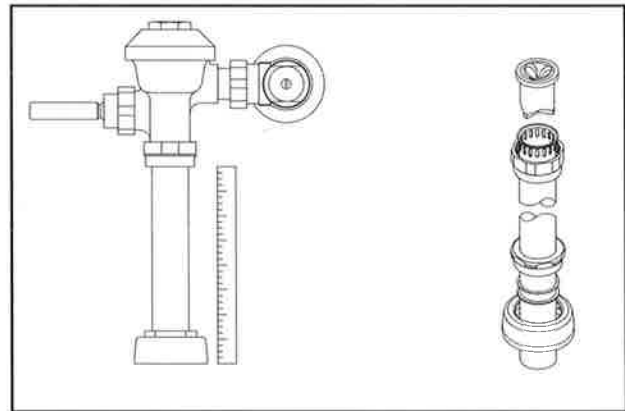
3. Insert the flush valve tailpiece into the stop valve and hand tighten the lock nut to the stop valve. Plumb the entire unit (see 3).



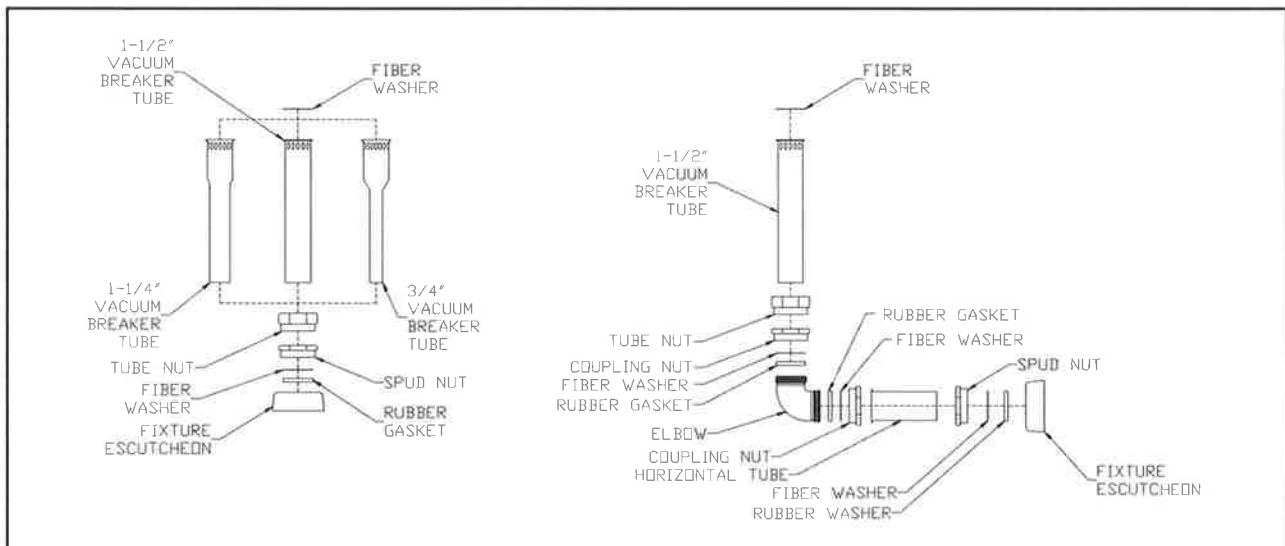
2. Prior to inserting the flush valve tailpiece into stop valve, be certain that the O-ring seal is located in O-ring seal groove at the end of the tailpiece and the locking nut and locking snap ring are located as shown below (see 2). Care should be taken not to damage the O-ring when inserting the tailpiece into the stop valve. If lubrication is needed, wetting the O-ring with water will be sufficient.



4. Determine the length of vacuum breaker tube required to join the flush valve and fixture spud. Cut the vacuum breaker tube, if required, to this length (see 4a). Assemble the vacuum breaker tube assembly and spud nut assembly to the flush valve and fixture spud (see 4b).

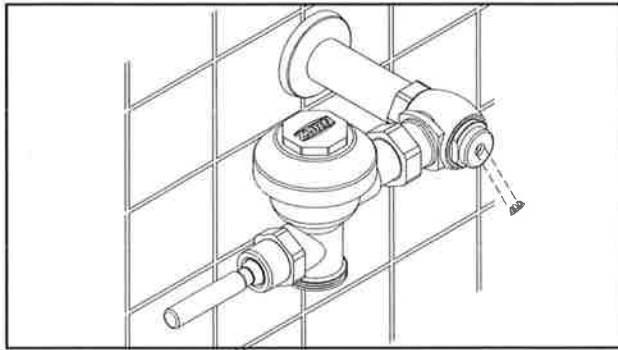


5. Hand tighten spud nut and vacuum breaker tube nut to fixture and flush valve. Adjust the valve assembly for plumb. Tighten fixture spud nut, vacuum breaker tube nut and lock nut with a wrench.



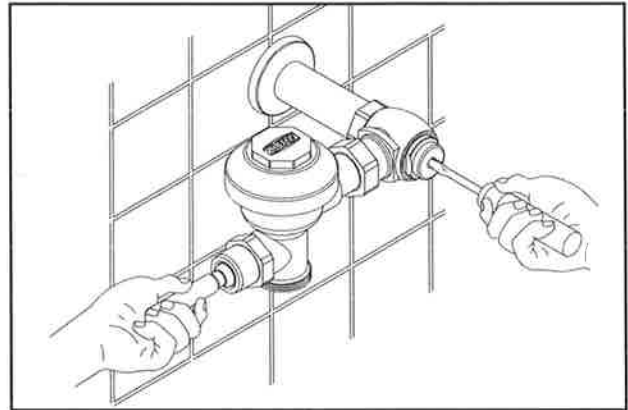
Aquaflush® Installation Instructions

6. When all flush valves are connected to the fixtures and water pressure is available, it is recommended that the supply piping be flushed to remove dirt, pipe chips, etc. from system. Before the water is turned on, be sure all stop valves to the flush valves are closed off tight. The stop valves can be opened and closed by using the adjusting screw located at the center of the stop valve cap, behind the stop snap cap screw cover if already installed (see 6a). Stop valve adjustments can only be made by using the adjusting screw. **It is not necessary to remove the stop valve cap when making adjustments. If for any reason it becomes necessary to remove the stop valve cap, be certain the water is shut off at the main supply valve.**



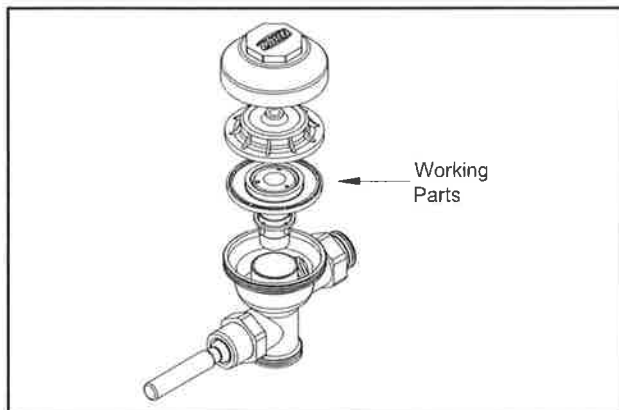
This procedure should also be followed when the system has been drained for some time, as occurs in athletic fields, recreation parks, etc.

7. The Aquaflush flush valves are preset for fixture volume as marked on the valve cartons. The valve does not require regulation for variation in water pressure within its operating range. To set the flush valve for proper operation, gradually adjust the stop valve open, using the adjusting screw, while actuating the valve until the rate of water flow into the fixture is not excessive, yet is sufficient enough to adequately evacuate the waste. The final setting for urinals should be such that the fixture will not overflow when the valve is actuated in succession. The stop snap cap screw cover should be secured after final adjustments have been made.



Use the following procedure to flush out the supply piping:

- A. Remove the main valve body cover.
- B. Remove the working parts from the flush valve (shown in 6b).
- C. Replace the main valve body cover and plastic cover without reinstalling the working parts.
- D. Open the stop valve by using the stop adjusting screw, and flush out all debris from pipe and connections.
- E. Shut stop, open cover, replace the working parts, replace plastic cover and main valve body cover and tighten.

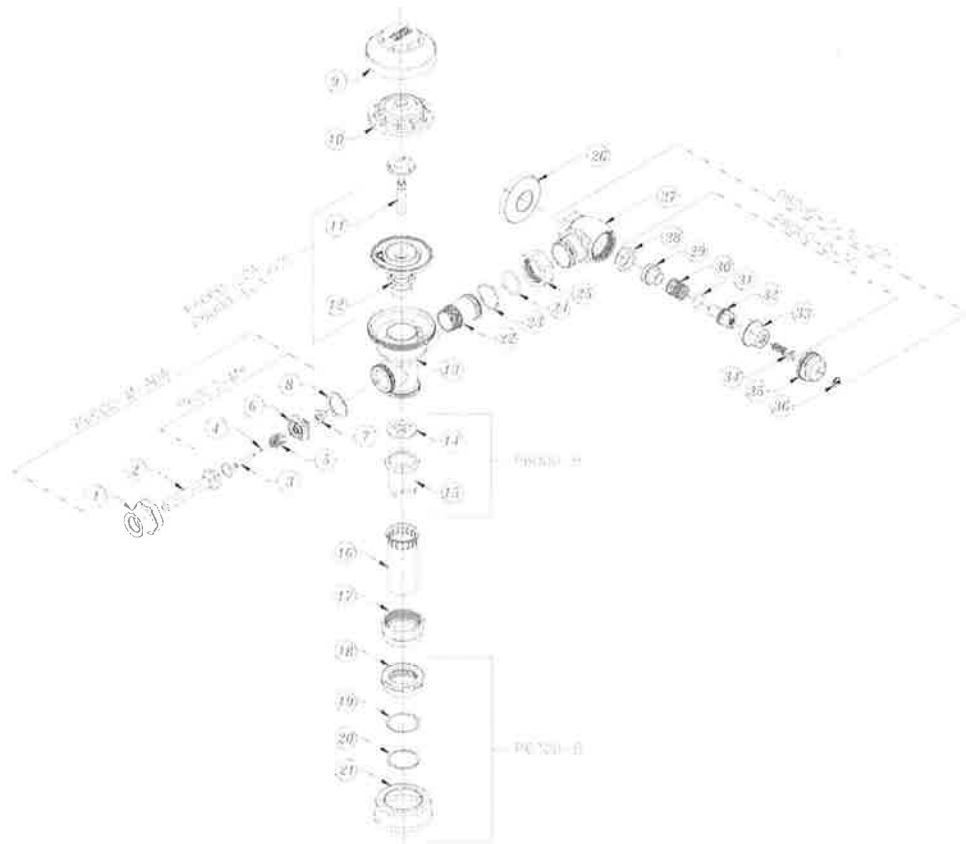




Aquaflush™ Exposed Repair Kits

Part Identification

1. Handle Nut
2. Handle
3. Actuator Rod
4. Handle O-Ring
5. Handle Spring
6. Handle Seal Retainer
7. Handle Seal
8. Handle Gasket
9. Valve Body Cover
10. Plastic Wrap
11. Trip Mechanism
12. Diaphragm Assembly
13. Valve Body
14. Vacuum Breaker Insert
15. Vacuum Breaker Duckbill
16. Vacuum Breaker Tube
17. Vacuum Breaker Tube Nut
18. Spud Nut
19. Spud Friction Washer
20. Spud Sleeve
21. Spud Escutcheon
22. Tailpiece
23. Snap Ring
24. Tailpiece O-Ring
25. Locking Nut
26. Wall Flange
27. Stop Body
28. Piston Seal
29. Piston Seal
30. Stop Spring
31. Guide O-Ring
32. Piston Guide
33. Guide Holder
34. Adjusting Screw
35. Stop Cap
36. Snap Cap Screw Cover



Covers and Repair Kits	Product No.
Outside Cover - CP - Item 9	P6000-LL-CP
Inside Cover - Item 10	P6000-L
HET Water Closet Kit - 1.28 gal. flush (PL Only)	P6000-ECA-HET
ULF Urinal Kit - 0.125 gal. flush (PL Only)	P6000-EUA-ULF
Low Consumption Closet Kit - 1.6 gal. flush	P6000-ECR-WS1
Water Saving Closet Kit - 3.5 gal. flush	P6000-ECR-WS
Full Flow Closet Kit - 4.5 gal. flush	P6000-ECR-FF
Low Consumption Urinal Kit - 1.0 gal. flush	P6000-EUR-WS1
Water Saving Urinal Kit - 1.5 gal. flush	P6000-EUR-WS
Full Flow Urinal Kit - 3.0 gal. flush	P6000-EUR-FF

Repair Parts - Inside Parts	Product No.
Urinal Relief Valve - Item 11	P6000-EU13
Closet Relief Valve - Item 11	P6000-EC13

Aquaflush Rebuild Kits	Product No.
Closet and Urinal Rebuild Kits Include Items 3-8, 11, 12, 24, 28-34	P6000-EC-WS-RK P6000-EC-WS1-RK P6000-EU-WS-RK P6000-EU-WS1-RK

Handle Assembly and Repair Kits	Product No.
ADA Handle Assembly (Side) Includes Items 1-8	P6000-M-ADA
Handle Repair Kit (Side) Includes Items 4-8	P6000-MK
Handle Seal Includes Item 8	P6000-M9
Handle Gasket Includes Item 9	P6000-M10
Repair Kit for Front Operation - Exposed Includes Items 4-9	P6000-MHK
Handle Assembly (Front) Includes Items 2-9	P6000-MH

Control Stop Repair Kit and Parts	Product No.
Control Stop Repair Kit for 1" and 3/4"	P6000-D-SD
Includes Items 28-34	
Seal Seat for 1" and 3/4", Includes Item 24	P6000-D42
VP Control Stop Repair Kit for 1" and 3/4"	P6000-D-VP
Sweat Solder Connection with Cast Wall Flange	P6000-YB

Adjustable Tailpieces	Product No.
Adjustable Tailpiece for Standard Flush Valve Includes Items 22-25	P6000-J1
Tailpiece Coupling Assembly Includes Items 23-25	P6000-K
Tailpiece Locking Ring Includes Item 23	P6000-C30
Tailpiece O-Ring Includes Item 24	P6000-C31
Coupling Nut Includes Item 25	P6000-C32

Flush Connections and Spud Coupling Kits	Product No.
Flush Tube Assembly for Flush Valves Includes Items 14-17. Specify diameter and length.	P6000-A
Vacuum Breaker Repair Kit Includes Items 14-15	P6000-B-HP
Spud Coupling Assembly Includes Items 18-21. Specify size.	P6000-H-CP

Aquaflush® Trouble Shooting Guide

Problem	Cause*	Corrective Action*
Valve will not operate.	1.) Stop valve is closed. 2.) Supply valve is closed.	1.) Open stop valve. 2.) Open supply valve.
Insufficient volume of water to adequately siphon fixture.	"1.) Stop valve is not open enough. 2.) Urinal trip mechanism installed in wrong kit, urinal for closet. 3.) Insufficient volume or pressure at supply.	1.) Open stop valve for desired volume of water. 2.) Replace urinal part with proper closet valve part. 3.) If gauges are not available to measure supply pressure or volume of water at the valve, completely remove the working parts and open the stop valve to allow water to pass through the empty valve. If the supply is adequate to siphon the fixture, the guide ring (#16) may be removed from the guide assembly to provide additional flow (see page 5). Should this prove unsatisfactory, steps should be taken to increase the pressure and/or supply.
Flush valve shuts off too quickly.	1.) Damaged or punctured diaphragm. 2.) Enlarged by-pass orifice. "	1.) Install new P6000-EUR or P6000-ECR replacement kit to remedy the problem. (#12 thru #17) 2.) Install new P6000-EUR or P6000-ECR replacement kit to remedy the problem. (#12 thru #17) "
Valve is short flushing.	1.) Diaphragm kit is not matched to the fixture. 2.) Urinal trip mechanism (black #12) is in the closet flush valve.	"1.) Install the proper P6000-EUR or P6000-ECR replacement kit to remedy the problem. (#12 thru #17) 2.) Install closet trip mechanism (white #12).
Valve is flushing too long or not shutting off.	1.) Trip mechanism not seating properly due to foreign material between trip mechanism and retainer disc. 2.) By-pass orifice is plugged or partially plugged. 3.) Line pressure is not adequate to force trip mechanism to seal. 4.) Cracked cover. (#11)	1.) Disassemble parts and rinse thoroughly. 2.) Examine by-pass orifice and clean if necessary being certain not to enlarge orifice opening. 3.) Pressure is inadequate or has dropped below minimum operating range. Steps should be taken to increase the line pressure. 4.) Replace cover with new one.
Water splashes out of fixture.	1.) Supply volume is more than is necessary. 2.) Lime accumulation on vortex or spreader holes of fixture.	1.) Adjust downward on control stop. 2.) Remove the lime build up.
Flush is not considered quiet.	1.) Control stop may not be adjusted for quiet operation. 2.) Fixture may be contributing to noise. 3.) Piping system may be source of noise.	1.) Adjust the control stop for quiet operation keeping in mind the fixture evacuation requirements. 2.) Check noise created by fixture by placing a cover over the bowl opening to separate valve noise from bowl noise. If it is determined the fixture is too noisy consult with fixture manufacturer. 3.) High pressure in the system can sometimes be controlled by the stop valve. Other sources of noise may be the absence of air chambers and shock arrestors, loose pipes, improper size pipes, etc. In these cases the building engineer should be consulted.
Handle assembly leaking.	1.) Handle assembly is not tight.	1.) Tighten handle assembly.

Care of Chrome Plated Surfaces

The suggested cleaning of chrome plated surfaces is simply to clean them with mild soap and water, then dry. Commercial cleaning compounds are never recommended.

Seasonal Use

Valves used in installations subject to shut down because of cold and freezing conditions should be maintained in the following manner. After the main supply has been shut off and the water drained from the system, remove the stop valve cap and stop valve internals to allow the water to drain from the flush valve itself.

*See previous page for numerical references.



ZURN INDUSTRIES, LLC COMMERCIAL BRASS OPERATION, 5900 ELWIN BUCHANAN DRIVE, SANFORD, NC, U.S.A. 27330
PHONE: 1-800-997-3876 FAX: 919/775-3541 www.zum.com
ZURN INDUSTRIES LIMITED 3544 NASHUA DRIVE, MISSISSAUGA, ONTARIO L4V 1L2 PHONE: 905/405-8272 FAX: 905/405-1292

This website uses cookies to improve user experience. By using our website you consent to all cookies in accordance with our Cookie Policy.

[READ MORE](#)



[Representative Listing](#)

[Product Spec Sheets](#)

[Spec Catalog](#)

[Features & Benefits Videos](#)

[Installation Videos](#)

[Warranty](#)

[Contact Us](#)

Warranty

Warranty Statement

All products are guaranteed against defects in material and workmanship for a period of one (1) year from date of purchase.

This guarantee does not apply to any compression molded wood, solid wood, decorator, or economy residential plastic toilet seats used in nonresidential installations, including hotels and motels.

This guarantee does not apply to any toilet seats which are modified in any way or used on any type of installation or unit other than conventional water closets. We assume no liability for toilet seats modified or installed on anything other than conventional water closets.

TOILETSEATS.COM

Copyright © 2022 Toiletseats.com All rights reserved.

P-2

INSTALLATION INSTRUCTIONS CARE AND MAINTENANCE

WALL HUNG SINK

American Standard

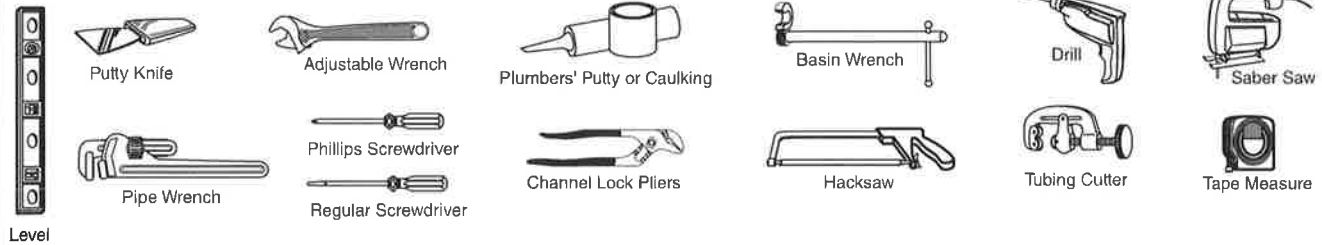
NOTE: For installation of models using concealed or exposed arms, follow instruction provided by arms manufacturer.

Thank you for selecting American Standard - the benchmark of fine quality for over 100 years. To ensure this product is installed properly, please read these instructions carefully before you begin. (Certain installations may require professional help.) Also be sure your installation conforms to local codes.

▲ CAUTION: PRODUCT IS FRAGILE. TO AVOID BREAKAGE AND POSSIBLE INJURY HANDLE WITH CARE!
NOTE: Pictures may not exactly define contour of china and components.

OBSERVE LOCAL PLUMBING AND BUILDING CODES

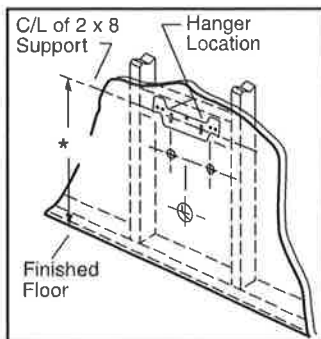
Recommended Tools & Materials



Level

1 Provide suitable reinforcement behind finished wall for lavatory hanger mounting screws. *Determine horizontal center line location of support from the table listed in Step 2. (Make sure support bottom extends to lavatory back wall bottom.)

NOTE: If replacing an existing sink be certain to shut off water supply before removing old sink.

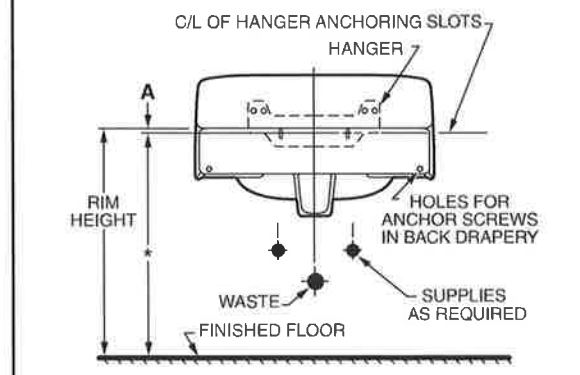


2 Determine the desired rim height (for example 32") then select from the Table at right the height of the hanger mounting bolts centerline

EXAMPLE:

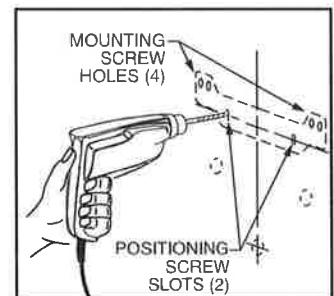
For Comrade:
32" - 2-1/2" = 29-1/2"

TABLE		
Part #	Model	Distance "A"
0124	Comrade	- 2-1/2" (64mm)
0321	Declyn	- 2-3/4" (70mm)
0355/0356	Lucerne	- 1" (25mm)
0372/0373	Penlyn	- 1/8" (3mm)
4867/4869	Regalyn	+ 2-3/4" (70mm)
9024	Decorum 18-1/4" x 20-1/16"	- 3-11/16" (93mm)
9134	Decorum 20-1/2" x 21-1/4"	- 3-11/16" (93mm)



3 Position hanger according to Step 2, making sure its center is aligned with the waste hole centerline. Mark the hanger screw locations through its mounting holes.

4 Drill pilot holes in positioning screw slots of hanger. **Note:** Some models are supplied with anchor screws, or steel hangers for lavatory installations. Other models are not provided with mounting hardware which can be purchased at local hardware outlets. Lavatories with bottom anchor screw holes should be secured with anchor screws in addition to hangers.



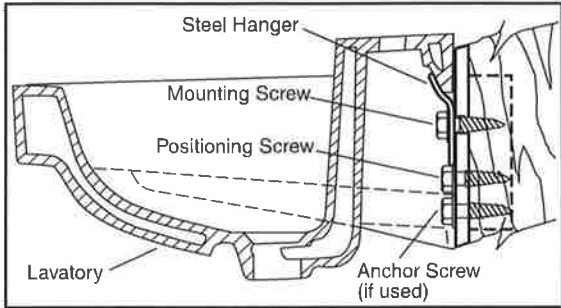
SAVE FOR FUTURE USE



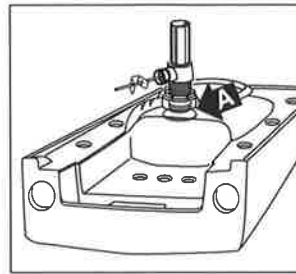
Product names listed herein are trademarks of AS America, Inc.
© AS America, Inc. 2019

730427-100 Rev. 6 8/19

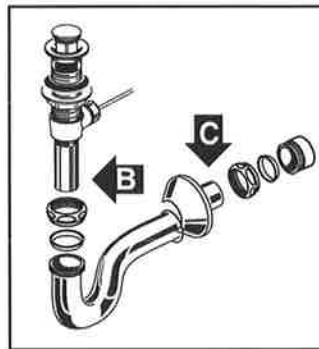
5 Affix hanger to wall (hand tighten only). Mount lavatory for positioning, level the deck, and mark bottom anchor screw holes (if applicable). Remove lavatory, tighten the hanger positioning screws and drill pilot holes for anchor screws and 4 mounting screws. Install and tighten the mounting screws.



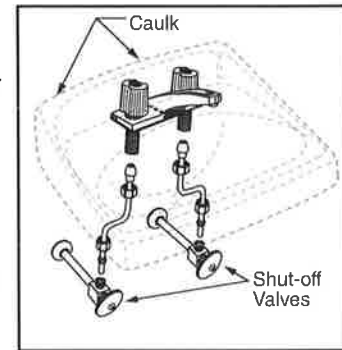
6 Following manufacturers instructions, install faucet and drain assembly. (Not included). Be certain to apply a bead of sealing putty on the underside of the drain (Part "A") in order to ensure a watertight seal between the lavatory and drain. Remove excess putty after installing drain on lavatory.



7 Return the fitted lavatory to the installed position. Connect trap to drain assembly hand tight to check alignment. It may be necessary to cut off part of the tailpiece (area "B") or part of the horizontal leg of the trap (area "C").



8 Secure lavatory on hanger as shown in 5. Insert and tighten anchor screws if applicable. Connect hot and cold supply lines to the shut-off valves. Tighten trap joints for watertight assembly. Apply a bead of caulk around the edge which contacts the wall as shown.



9 Installing Optional Shroud

Position semi-pedestal/shroud under basin and secure to wall using 2" (51mm) screws.

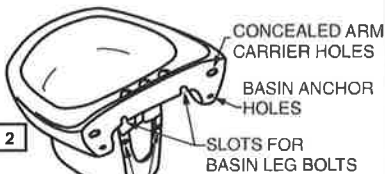


FIGURE 2

SEMI-PEDESTAL/SHROUD*
ANCHOR HOLES
*SHROUD SOLD SEPARATELY

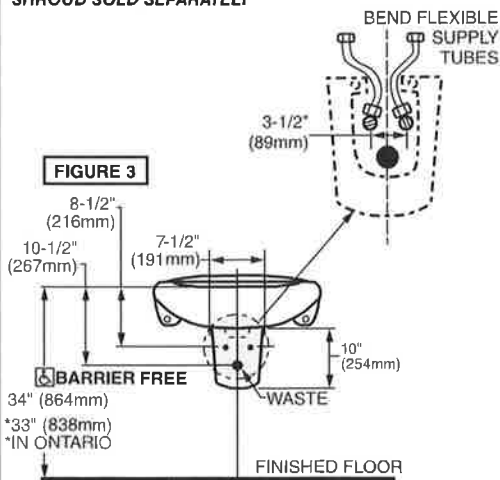


FIGURE 3

AS AMERICA, INC. ONE YEAR LIMITED WARRANTY

If inspection of this AS America, Inc. ("American Standard") plumbing product, within one year after its initial purchase, confirms that it is defective in materials or workmanship, American Standard will repair or, at its option, exchange the product for a same or similar model.

This limited warranty applies only to the original purchaser and installation of these products. In the event of a limited warranty claim, proof of purchase will be required—save sales receipts.

This limited warranty does not apply to local building code compliance. Since local building codes vary considerably, the purchaser of this product should check with a local building or plumbing contractor to ensure local code compliance before installation.

This limited warranty will be void if the product has been moved from its initial place of installation; if it has been subjected to faulty maintenance, abuse, misuse, accident or other damage; if it was not installed in accordance with American Standard's instructions; or if it has been modified in a manner inconsistent with the product as shipped by American Standard.

American Standard's option to repair or exchange the product under this limited warranty does not cover any labor or other costs of removal or installation including any costs of any surrounding material such as tile or marble. American Standard is not responsible for any other incidental or consequential damages attributed to a product defect or to the repair or exchange of a defective product, all of which are expressly excluded from the warranty. This limited warranty does not cover the extension beyond the duration of this limited warranty of any implied limited warranties, including those of merchantability or fitness for an intended purpose. (Some states or provinces do not allow the exclusion or limitation of implied warranties, so this exclusion may not apply to you.)

This limited warranty gives you specific legal rights. You may have other statutory rights that vary from state to state or from province to province, in which case this limited warranty does not affect such statutory rights.

For service under this warranty, it is suggested that a claim be made through the contractor or dealer from or through whom the product was purchased, or that a service request (including a description of the product model and of the defect) be sent to the following address:

In the United States:
American Standard Brands,
1 Centennial Ave
Piscataway, New Jersey 08854
Attention: Director of Consumer Affairs
For residents of the United States, warranty information may also be obtained by calling the following toll free number: (800) 442-1902
www.americanstandard.com

In Canada:
LIXIL Canada ULC
5900 Avebury Road
Mississauga, Ontario
Canada L5R 3M3
Toll Free: (800) 387-0369
www.americanstandard.ca

In Mexico:
Customer Service Manager
AS Maquila, S.A. de C.V.
Via Morelos #330
Col. Santa Clara
Ecatepec 55540 Edo. Mexico
www.americanstandard.com.mx

THIS WARRANTY IS NOT TRANSFERABLE FROM ORIGINAL CONSUMER PURCHASER.



RELIABILITY BUILT IN™

Limited One Year Warranty

T&S warrants to the original purchaser (other than for purposes of resale) that such product is free from defects in material and workmanship for a period of one (1) year from the date of purchase. During this one-year warranty period, if the product is found to be defective, T&S shall, at its options, repair and/or replace it. To obtain warranty service, products must be returned to...

*T&S Brass and Bronze Works, Inc.
Attn: Warranty Repair Department
2 Saddleback Cove
Travelers Rest, SC 29690*

Shipping, freight, insurance, and other transportation charges of the product to T&S and the return of repaired or replaced product to the purchaser are the responsibility of the purchaser. Repair and/or replacement shall be made within a reasonable time after receipt by T&S of the returned product. This warranty does not cover items which have received secondary finishing or have been altered or modified after purchase, or for defects caused by physical abuse to or misuse of the product, or shipment of the products.

Any express warranty not provided herein, and any remedy for Breach of Contract which might arise, is hereby excluded and disclaimed. Any implied warranties of merchantability or fitness for a particular purpose are limited to one year in duration. Under no circumstances shall T&S be liable for loss of use or any special consequential costs, expenses or damages.

Some states do not allow limitations on how long and implied warranty lasts or the exclusion or limitation of incidental or consequential damages, so the above limitations or exclusions may not apply to you. Specific rights under this warranty and other rights vary from state to state.

P/N: 098-013122-45 Rev.5
Date: 03-09-11
Drawn: TEH
Checked: DMH 03-11-11
Approved: JHB 03-16-11

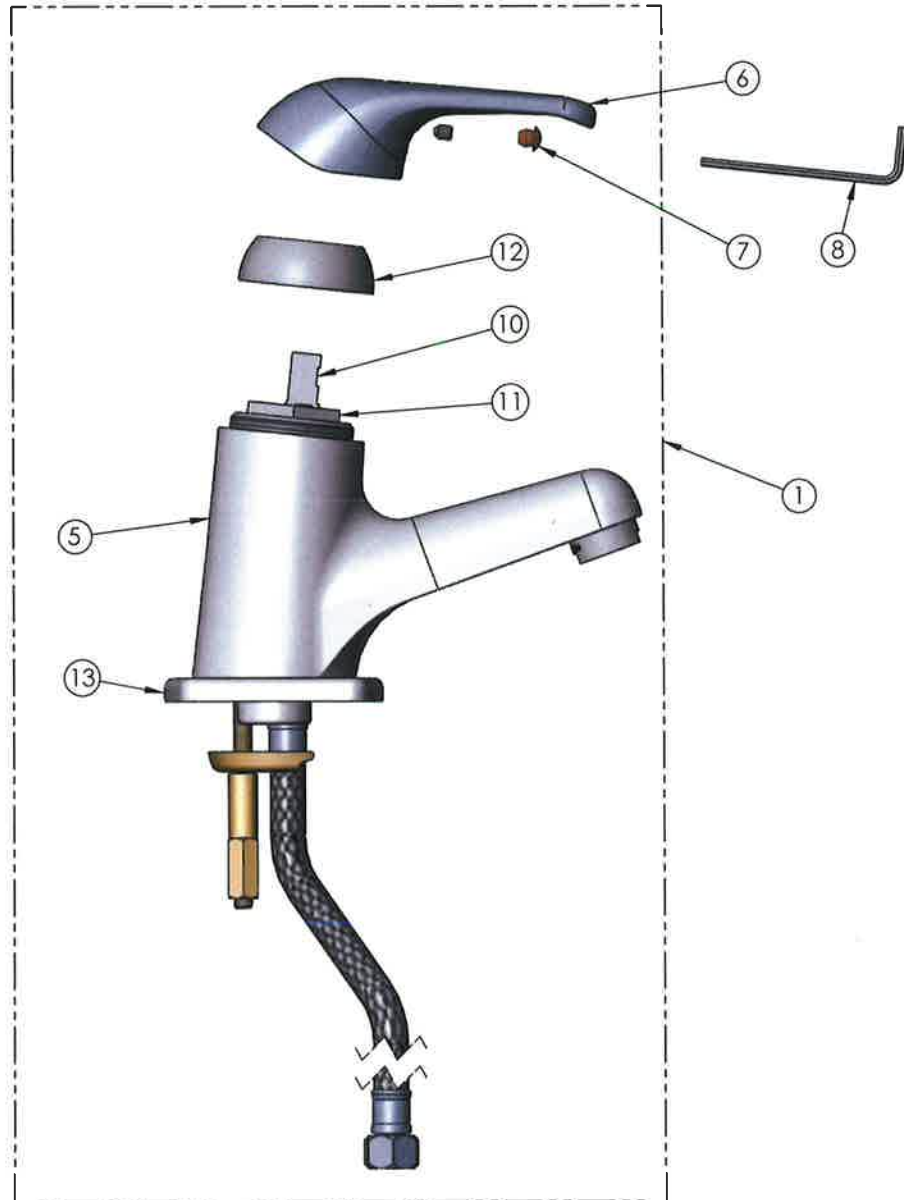
Installation and Maintenance Instructions



B-2701, B-2703, B-2710 & B-2711 SERIES SINGLE LEVER FAUCETS (with or without Pop-Up)

Exploded View

B-2701 & B-2703 Series



Part Number Guide

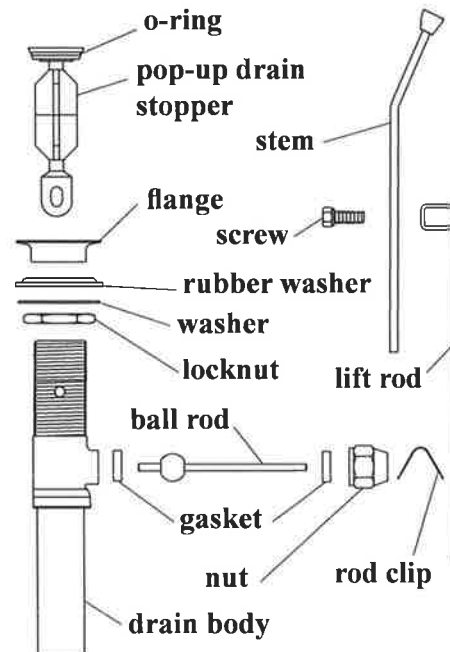
1	Asm, Single Lever Rigid Base Faucet	B-2701
	Asm, Single Lever Rigid Base Faucet w/ 4" Deckplate	B-2703
	Asm, Single Lever Faucet w/ Pop-Up Drain	B-2710
	Asm, Single Lever Faucet	B-2711
2	Gasket, Waterproof	014167-45
3	Lock Washer	000999-45
4	Lock Nut	016673-45
	Kit, Lock Washer and Lock Nut	014166-45
5	Faucet Body	N/A
6	Handle	013113-45
7	Plug	014173-45
8	3/32" or 2.5mm Hex Key (not included)	017267-45
9	Pop-Up Drain	B-0898
10	Cartridge, Metal Stem w/ Temperature Limit Stop	013111-45
11	Retaining Nut	016663-45
12	Retaining Ring	016661-45
13	4" Deckplate	013824-40

General Instructions

Faucet Installation (B-2701 & B-2703)

(Refer to diagram on page 2)

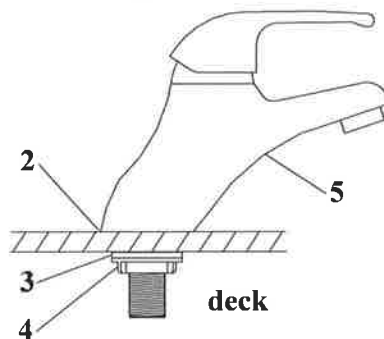
1. Shut off water supply lines. Drill a 1-1/2" diameter hole in countertop where no.5 will be installed.
2. Clean countertop and bottom of no.5. Apply putty to bottom of no.5.
3. If installing no.13, apply putty to bottom contact face of no.13.
4. With no.14 and no.15 removed place hoses and threaded rod at bottom of no.5 through the 1-1/2" diameter hole.
5. Place no.14 and no.15 on threaded rod and tighten.
6. Connect water supply and check for leaks.



Faucet Installation (B-2710 & B-2711)

(Refer to diagram below)

1. Shut off water supply and drain lines. Clean sink surface thoroughly.
2. Install no.5 with no.2 on top of the deck or sink.
3. Place no.3 and no.4 on the shank of no.5 and tighten fully.

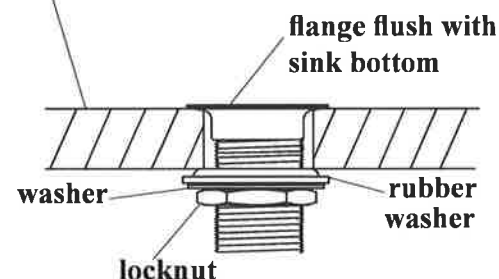
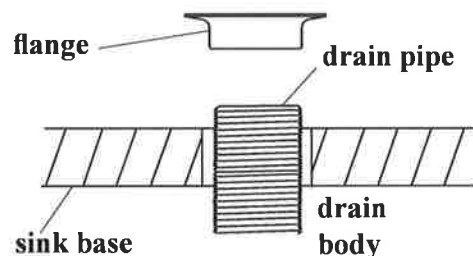


4. Connect water supply lines and check for leaks.

Pop-Up Valve Installation

1. Remove **pop-up drain stopper**, with **o-ring** and **flange**, from **pop-up assembly**.
2. Remove **rod clip**, **lift rod**, **rod guide nut** and **rod ball assembly** from **drain body**.

3. Insert **drain body** from bottom of sink drain hole, reassemble **flange** to **drain body**, tightening as far possible.



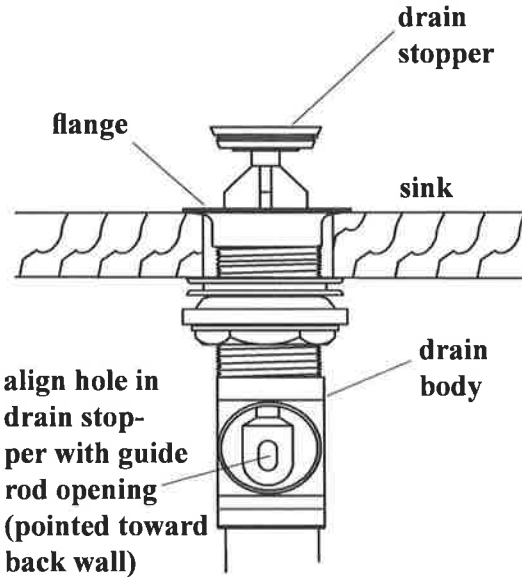
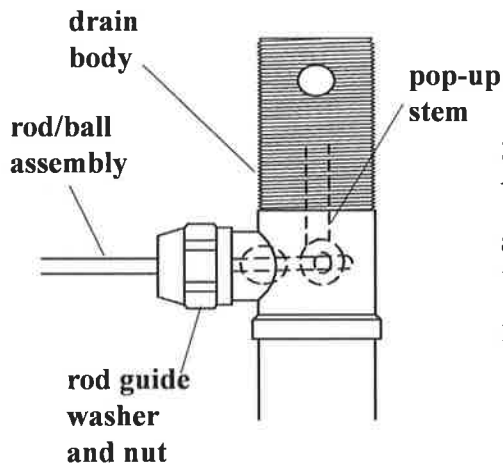
4. Slide **rubber washer** on **drain pipe** up against bottom of sink. Tighten **washer** and **locknut** firmly against base for a tight seal.

General Instructions

5. Replace **pop-up drain stopper** in **drain body**, with 'o'-ring in place, and align stopper hole with guide and opening.

6. Reinsert **rod ball assembly** back into **drain body** and through hole in **drain stopper**.

7. Insert **pop-up stem** through hole in faucet body. Attach **lift rod** to **pop-up stem** by inserting **stem** through hole in **lift rod**. Reassemble **rod guide**, **washer** and **nut**, and tighten firmly.

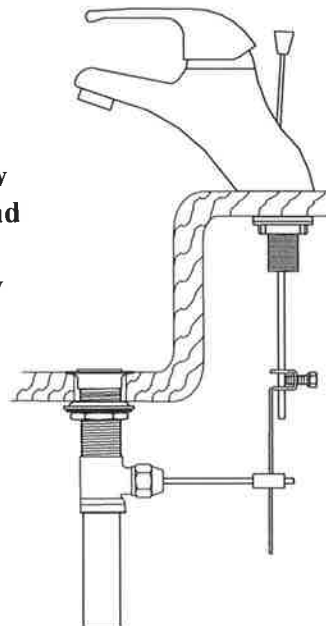


8. Adjust **pop-up stem** to correct height by opening drain, and sliding **lift rod** and **rod clip** at the same time onto **rod/ball assembly**. Readjust **lift rod screw** if necessary, hand-tighten.

9. Make connection to supply lines.

10. Turn on water supply and check for leaks.

Side view
faucet and
pop-up
assembly



General Instructions

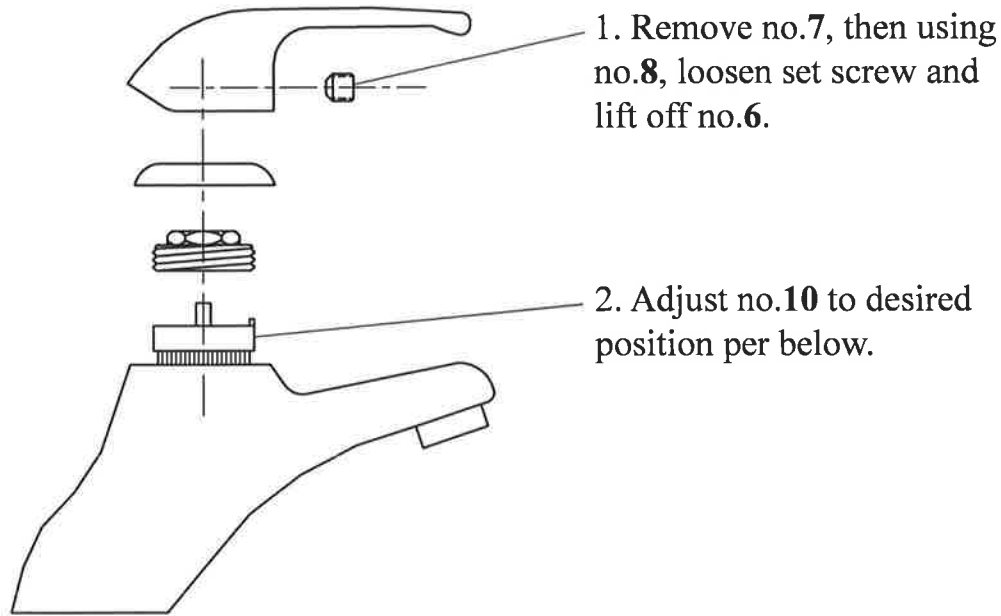


Figure 1

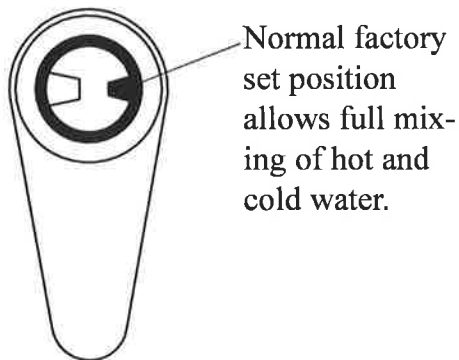


Figure 2

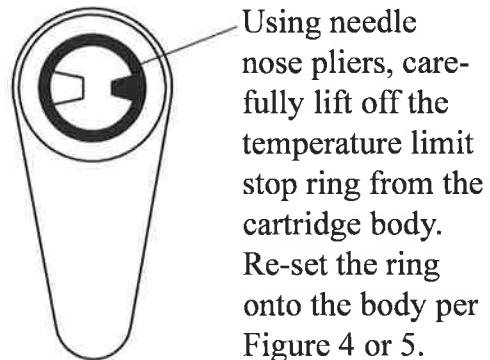


Figure 3

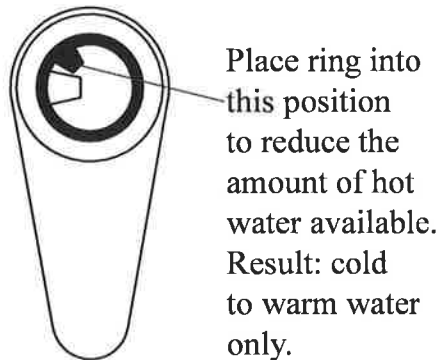


Figure 4

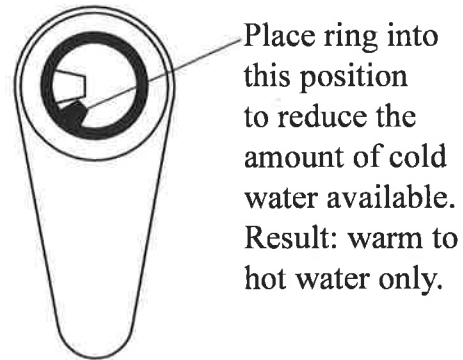


Figure 5

Maintenance:

1. To change no.10, remove no.7 by hand.
2. Insert no.8 into hole of no.6 and loosen set screw of no.6. Remove no.6.
3. Unscrew no.12 and remove.
4. Unscrew no.11 and remove.
5. Remove no.10 and replace with new no.10.
6. Replace no.11, no.12 and no.6 and tighten set screw.
7. Replace no.7.

Mantenimiento:

1. Para cambiar la parte No.10, remueva a mano la parte No.7.
2. Ensarte la parte No.8 en el hueco de la parte No.6 y afloje el tornillo presión de la parte No.6. Remueva la parte No.6.
3. Destornille la parte No.12 y remuévala.
4. Destornille la parte No.11 y remuévala.
5. Remueva la parte No.10 y reemplace con una parte nueva No.10.
6. Reemplace la parte No.11, No.12 y la parte No.6. Apriete el tornillo de presión.
7. Reemplace la parte No.7.



**B-2730 & B-2731
Single Lever
Faucets**

T&S BRASS AND BRONZE WORKS, INC.

A firm commitment to application-engineered plumbing products

2 Saddleback Cove, P.O. Box 1088
Travelers Rest, SC 29690
Phone: (864) 834-4102
Fax: (864) 834-3518
E-mail: tsbrass@tsbrass.com

T & S Brass-Europe
'De Veenhoeve'
Oude Nieuwveenseweg 84
2441 CW Nieuwveen
The Netherlands



RELIABILITY BUILT IN™



a Bead Industries, Inc. company

Warranty, Terms and Return Policies

TERMS: All sales are subject to credit approval. Terms are 2% ten days – net 30.

RETURNED GOODS: Requests for returning purchased items are subject to factory approval.

A Returned Goods Authorization (RGA) must be obtained from the factory prior to any return. Returned merchandise must be in their original cartons, listed in our current List Price Sheet and in clean saleable condition.

Restocking charge:

- Material that was shipped within 18 months of the return request is subject to a 25% restocking charge.
- Material that was shipped more than 18 months of the return request but less than 3 years is subject to a 50% restocking charge.
- Material returned more than 18 months after it was shipped is not subject to any stock rotation agreement.
- Material that was shipped more than 3 years before the return request is not returnable.
- Invoice dates as well as dates on packaging will control.

The restocking charge may be reduced if a new order of equal value is placed at the time the RGA is requested:

- 25% may be reduced to 15%
- 50% may be reduced to 35%

MINIMUM RETURN POLICY:

Return requests less than \$200 net will be charged \$50 processing fee in lieu of any restocking charge.

INVOICE:

We reserve the right to invoice all merchandise at prices in effect at time of shipment.

NO MINIMUM ORDER:

Orders less than \$200 list will be invoiced at list price less 35% (.65 multiplier).

McGuire Manufacturing Co., Inc.

60 grandview court • cheshire • ct • 06410

tel 203-699-1801 • fax 203-699-1813

mcguiremfg.com

customerservice@mcguiremfg.com

FREIGHT:

We will pay freight on shipments within the continental United States when the order (pre-tax) totals more than \$2200 net. We select the method of shipment and carrier when we pay the freight.

Limited Warranty Information

McGuire Manufacturing Co., Inc. (McGuire) warrants its product to be free from defects in material and workmanship for the period indicated below by product type measure from the date of purchase:

ITEM	WARRANTY PERIOD
Brass products	15 years
ProWrap	5 years
Eco P-Traps, Eco Strainers and Valve Strainers	1 year
Stainless Steel products	1 year
Lite Commercial P-Traps	1 year

McGuire's sole responsibility will be to replace, at no additional charge, any product which proves to be defective within the applicable warranty period. Shipping costs for product located outside the continental United States will be the sole responsibility of the customer. Duties and taxes, if levied, shall be the sole responsibility of the customer.

The above Limited Warranty shall not apply if the product has been damaged due to abuse, misuse, improper installation, accident, or other cause not within McGuire's control.

THE ABOVE LIMITED WARRANTY IS THE SOLE AND EXCLUSIVE WARRANTY. ALL OTHER WARRANTIES ARE DISCLAIMED, WHETHER EXPRESSED OR IMPLIED, INCLUDING BUT NOT LIMITED TO, ANY IMPLIED WARRANTIES OF MERCHANTABILITY OR FITNESS FOR A PARTICULAR PURPOSE. IN NO EVENT SHALL MCGUIRE BE RESPONSIBLE OR LIABLE FOR ANY SPECIAL INCIDENTAL, OR CONSEQUENTIAL DAMAGES OR LOSSES ARISING FROM THE USE OF THIS PRODUCT.

McGuire may, at its option, alter the contents of this LIMITED WARRANTY at anytime. These changes will affect products manufactured after the effective date of this policy.

McGuire Manufacturing Co., Inc.

60 grandview court • cheshire • ct • 06410

tel. 203-699-1801 • fax 203-699-1813

mcguiremfg.com

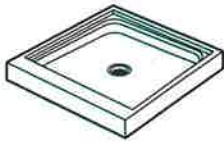
customerservice@mcguiremfg.com

P-3

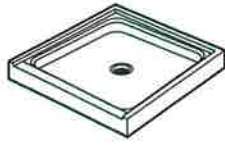
Installation Instructions – Terrazzo Precast Shower Floors & Mop Basins

FIAT PRODUCTS

DO NOT STACK OR STORE TERRAZZO FLAT



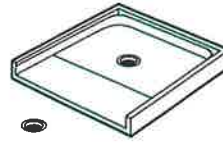
MONTEREY



SIERRA



GIBRALTAR



ADAT, ADAW, WTR
WHEELCHAIR ACCESS



MOP SERVICE BASIN

1. REMOVE CRATE AT INSTALLATION POINT. DO NOT ROCK TERRAZZO ON EDGES IN ORDER TO PREVENT DAMAGES TO CORNERS.
2. CHECK ALL SIDES OF PRODUCT FOR TRANSPORTATION DAMAGES.
 - A: WIPE FACE OF THE TERRAZZO WITH A WATERED CLOTH.
 - B: AFTER WATER EVAPORATES, CHECK FOR CRACKS OR DAMAGE.

NOTE: FIAT PRODUCTS IS NOT RESPONSIBLE FOR SHOWER INSTALLATIONS ADHERING TO A.D.A. GUIDELINES. CHECK LOCAL AUTHORITY FOR CODE AND INSTALLATION REQUIREMENTS.

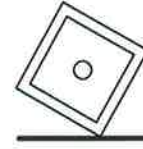
LEVEL PRODUCT CAREFULLY

- 2A. ESTABLISH PROPER CLEARANCE BETWEEN UNIT AND WALL. PLACE A 1/2" LAYER OF MORTAR WHERE THE SHOWER FLOOR IS TO BE INSTALLED. THIS PROCEDURE IS REQUIRED BY FIAT TO PROVIDE SUPPORT OF THE UNIT IN CASE THE SUB FLOOR IS UNEVEN. LAYER OF GROUT SHOULD BE AT LEAST 1/4" THICK AND COVER ENTIRE AREA UNDER THE UNIT.
- 2B. ADAT AND ADAW SHOWERS ARE FOR A.D.A. OR PHYSICALLY CHALLENGED USE. THE SHOWER ENTRY SHOULD BE NO MORE THAN 1/4" HIGHER THAN THE FINISHED FLOOR OF THE ROOM. THE ADAT SHOWER SHOULD BE INSTALLED INTO A RECESSED PIT 2 INCHES DEEP TO MEET CODE REQUIREMENTS.
- 2C. IT IS RECOMMENDED THAT A FLOOR DRAIN AT OR NEAR THE ENTRANCE TO ALL ADAT, ADAW AND WTR SHOWER FLOORS BE INCLUDED.

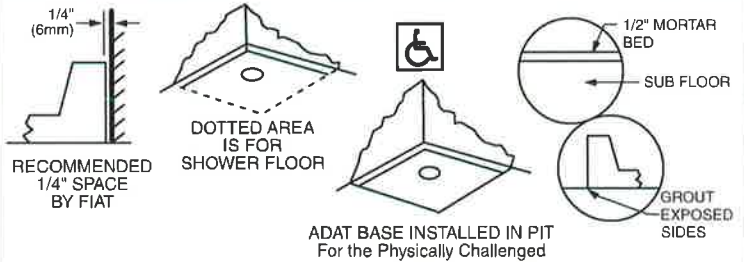
DO NOT LIFT SHOWER BY FLANGE



REMOVE CRATE WITH CARE



DO NOT STAND ON END



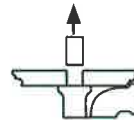
FAILURE TO INSTALL TERRAZZO ON A 1/2" MORTAR BED WILL VOID WARRANTY.

WARNING

3. DO NOT DROP UNIT OVER EXPOSED PIPE. IT IS ADVISABLE TO REMOVE DRAIN PIPE AND SET UNIT IN PLACE. INSERT PIPE THROUGH DRAIN IN FLOOR BACK INTO "P" TRAP.
 - TIGHTEN METAL CONNECTIONS WITH AN INTERNAL PIPE WRENCH.
 - IF USING PLASTIC WASTE PIPE, FIT AND SOLVENT WELD.



DO NOT DROP ON PIPE

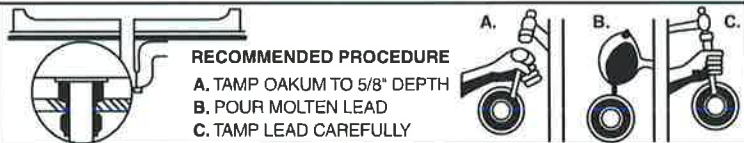


REMOVE PIPE FROM TRAP

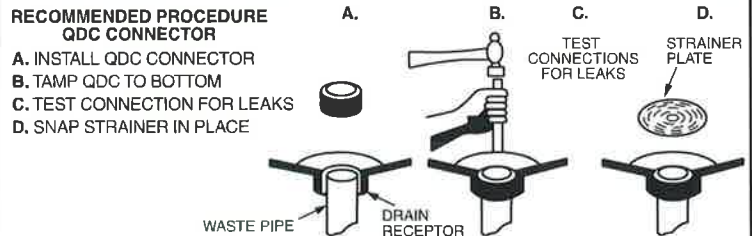


REINSERT PIPE & TIGHTEN WITH AN INTERNAL WRENCH

- 4A. METHOD OF DRAIN CONNECTION: METAL WASTE PIPE
 - USE OAKUM AND MOLTEN LEAD.
 - THIS LEAD CAULKED JOINT PERMITS LIMITED MOVEMENTS SUCH AS NORMAL STRUCTURAL SETTLEMENT WITHOUT LEAKAGE.

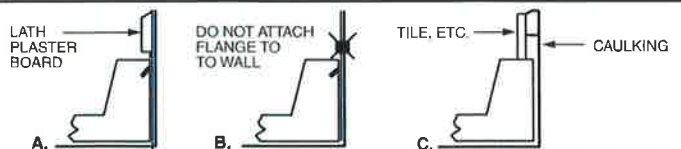


- 4B. METHOD OF DRAIN CONNECTION: PLASTIC WASTE PIPE
 - WHEN USING PLASTIC WASTE PIPE, IT IS NECESSARY TO USE THE QDC QUICK DRAIN CONNECTOR.
 - INSTALL PIPE THROUGH RECEPTOR.
 - LUBRICATE QDC CONNECTOR WITH SOAP, STRETCH QDC CONNECTOR OVER PIPE WITH LETTERS FACING UP.
 - TAMP CONNECTOR WITH A HAMMER AND PIECE OF WOOD. WORK AROUND CONNECTOR WITH A SERIES OF BLOWS UNTIL IT BOTTOMS. TOP OF PIPE SHOULD BE EVEN WITH TOP OF CONNECTOR.



WARNING: MODELS WITH TILING FLANGE OPTIONS

- 5A. DO NOT LET ROUGH WALL MATERIAL OVERLAP FLANGE.
- 5B. DO NOT ATTACH FLANGE TO BUILDING.
- 5C. LET FINISHED WALL (TILE, ETC) OVERLAP AND REST ON SHOULDER.



Sealers - New Installations

Immediately following installation of a new floor or thorough cleaning of an older floor, the floor can be sealed with a penetrating sealer. Such sealers are available at paint or tile stores and **must** state that they are approved for use on Terrazzo products. Sealers are not permanent and can be reapplied (after a thorough cleaning) approximately once a year, or as recommended by the manufacturer of the sealer.

RECOMMENDED CLEANING & MAINTENANCE PROCEDURES FOR TERRAZZO PRECAST SHOWER FLOORS AND MOP SERVICE BASINS

Regular Cleaning

To maintain the original terrazzo surface appearance, clean regularly with a liquid detergent such as Joy, Liquid Ajax, or Spic n Span (for the latter, prepare a solution containing 1/2 cup of Spic n Span in a gallon of water). Scrub with a stiff bristled, non-metallic scrub brush and then rinse thoroughly.

NOTE: Do not use any acid (ie, muratic) or cleaning agents that contain acid.

Special or Unusual Conditions

- A. Scum on Surface caused by soap, makeup, etc.:** Use a cleaning powder, such as Ajax, plus lots of elbow grease.
- B. Surface cleaning:** Heel marks, plaster, etc. may require abrasive removal. This can be done with a wet emery cloth. If emery cloth is ineffective, use an 80 to 100 grit aluminum oxide coated paper. Abrasive cloth or paper will result in a very faint grinding away of the floor surface.
- C. Penetrated stains:** Stains such as caused by oil, putty, etc., may be removed by scouring with a cleanser and then soaking floor overnight, if need be, with a commercial bleach such as Linco, etc.

FIAT PRODUCTS® LIMITED ONE YEAR WARRANTY

FIAT Products, LLC offers a limited warranty on FIAT Products to the original Purchaser consumer, both residential and commercial. These products shall be free of defects in material and workmanship for a period of One Year.

Under this warranty FIAT Products will, at its sole discretion, upon receipt of a written claim and proof of purchase, either (1) repair the product, (2) replace the product or any part therein with a FIAT Product of equal or similar type and size, or (3) refund to the consumer the wholesale price of the product received by FIAT Products. If FIAT Products elects to refund the wholesale price to the consumer, FIAT Products shall have no further obligation to its wholesale customer, or any contractor with respect to such product. Goods proven to be defective will be replaced after proper inspection, but no claims for damages incurred or for work done thereon will be allowed. Replacements when supplied will be shipped at no cost to the consumer.

This warranty **does not apply** to local building code compliance. Since local building codes vary considerably, the purchaser of the product should check with a local building or plumbing contractor to ensure local code compliance before installation.

This warranty **will be void** if:

1) the product has been moved from its initial place of installation; 2) if it has been subjected to faulty maintenance, abuse, misuse, accident or other damage; 3) if it was not installed in accordance with FIAT Products instructions; or 4) if it has been modified in a manner inconsistent with the product as shipped by FIAT Products.

This warranty **DOES NOT COVER** any damages caused by the use of non-approved cleaners, improper installations or excessive abuse.

FIAT Products' right to repair or exchange the product under this warranty does not cover any labor or other costs of removal or installation including any costs of any surround material such as tile or marble.

FIAT Products is not responsible for any other incidental or consequential damages attributed to a product defect or to the repair or exchange of a defective product, all of which are expressly excluded from this warranty. (Some states or provinces do not allow the exclusion or limitation of implied warranties, so this exclusion may not apply to you.)

This warranty gives you specific rights. You may have other statutory rights that may vary from state to state or province to province, in which case this warranty does not affect such statutory rights.

In the United States & Canada:

FIAT Products, LLC
4515 E. 139th Street
Grandview, MO 64030
Attention: Customer Care Manager
www.fiatproducts.com

THIS WARRANTY IS NOT TRANSFERABLE FROM ORIGINAL CONSUMER PURCHASER.



Limited One Year Warranty

T&S warrants to the original purchaser (other than for purposes of resale) that such product is free from defects in material and workmanship for a period of one (1) year from the date of purchase. During this one-year warranty period, if the product is found to be defective, T&S shall, at its options, repair and/or replace it. To obtain warranty service, products must be returned to...

*T&S Brass and Bronze Works, Inc.
Attn: Warranty Repair Department
2 Saddleback Cove
Travelers Rest, SC 29690*

Shipping, freight, insurance, and other transportation charges of the product to T&S and the return of repaired or replaced product to the purchaser are the responsibility of the purchaser. Repair and/or replacement shall be made within a reasonable time after receipt by T&S of the returned product. This warranty does not cover items which have received secondary finishing or have been altered or modified after purchase, or for defects caused by physical abuse to or misuse of the product, or shipment of the products.

Any express warranty not provided herein, and any remedy for Breach of Contract which might arise, is hereby excluded and disclaimed. Any implied warranties of merchantability or fitness for a particular purpose are limited to one year in duration. Under no circumstances shall T&S be liable for loss of use or any special consequential costs, expenses or damages.

Some states do not allow limitations on how long an implied warranty lasts or the exclusion or limitation of incidental or consequential damages, so the above limitations or exclusions may not apply to you. Specific rights under this warranty and other rights vary from state to state.

P/N: 098-009518-45 Rev.2

Date: 05-15-06

Drawn: TEH

Checked: DHL 07-13-06

Approved: JHB 07-13-06

Installation and Maintenance Instructions



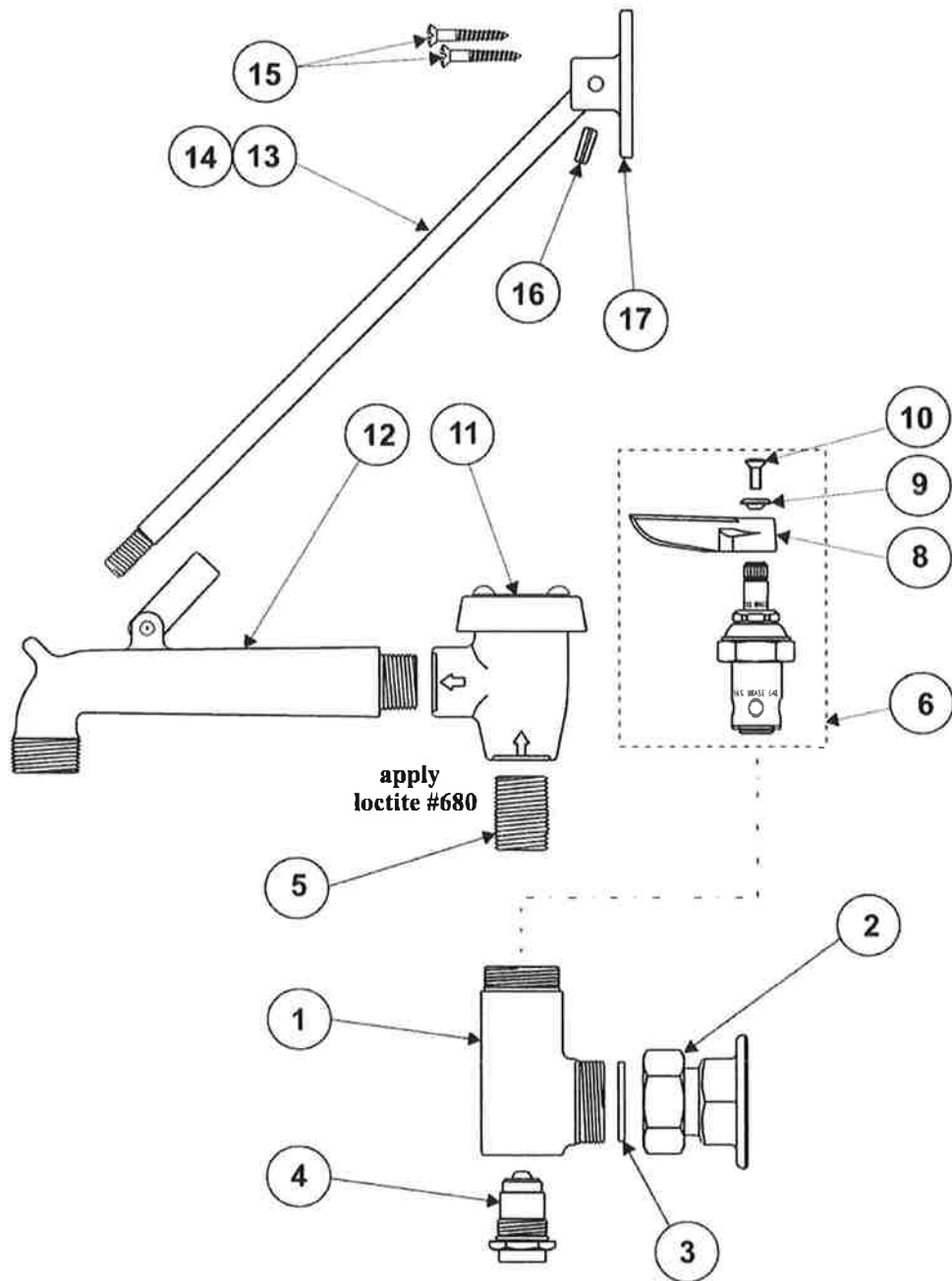
Surgical Sink and Service Sink Faucets with Built-In Stops B-0665-BST Series

**Deutsch: Installations- und
Wartungsanleitun-
gen**

**Español: la Instalación y las
Instrucciones de
Mantenimiento**

**Français: les Instructions
d'Installation et
d'Entretien**

Exploded View



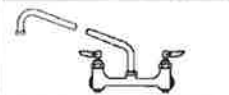
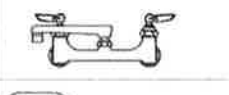
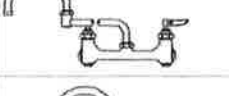
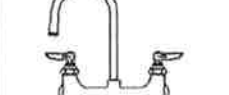


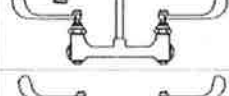
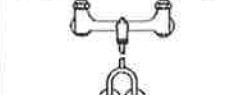
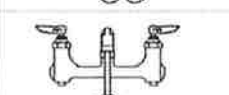
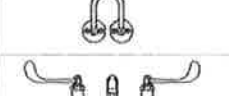
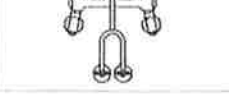
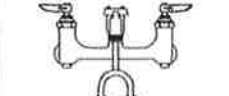
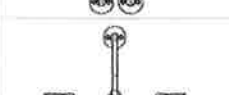
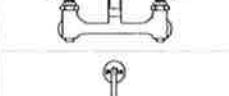
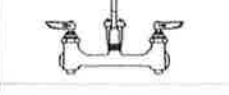



* Some items are listed for instructional purposes and may not be sold as separate parts.

Part Number Guide

Service Sink Faucet Assemblies

1	Asm, Base Faucet	B-0665-BSTP
	Body, Faucet	*
2	Asm, Flange Coupling	002893-40
3	Washer, Coupling Flange	001019-45
4	Asm, BST Spindle & Insert	163A
5	Nipple, Close 1/2 HWL	002534-25
6	Asm, Eterna w/ Spring Checks & Handle (Cold)	002711-40
	Asm, Eterna w/ Spring Checks & Handle (Hot)	002712-40
8	Handle, Lever (Blank)	001638-45
9	Index, Button (Red / Hot)	001661-45
	Index, Button (Blue / Cold)	001660-45
10	Screw, Handle	000922-45
11	Asm, Vacuum Breaker, 1/2"	B-0969
12	Spout	*
13	Asm, Upper Nozzle Support	009546-40
14	Rod, Support	005060-40
15	Screw, Wall Mount	000915-45
16	Pin, Coiled 3/16" x 1/2" S.S.	004713-25
17	Flange	003007-40

Models with Built-In Stops (-BST)

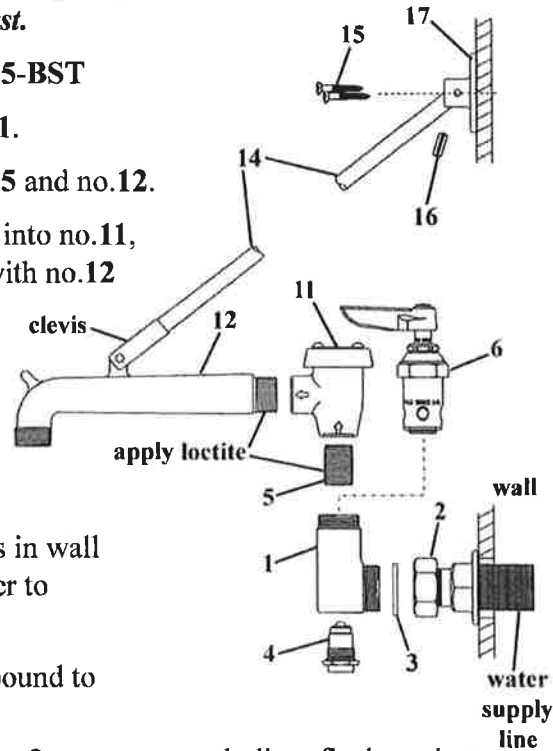
	B-0230-BST Sink mixing faucet with 18" swing nozzle; lever handles
	B-0231-BST Sink mixing faucet with 12" swing nozzle; lever handles
	B-0232-BST Sink mixing faucet with 16" swing nozzle; lever handles
	B-0234-BST Sink mixing faucet with 6" cast spout; lever handles
	B-0265-BST Combo sink faucet w/ 18" double-joint swing nozzle
	B-0266-BST Combo sink faucet w/ 15" double-joint swing nozzle
	B-0267-BST Combo sink faucet w/ 12" double-joint swing nozzle
	B-0330-BST Combo sink faucet w/ rigid gooseneck; lever handles
	B-0331-BST Combo sink faucet w/ swivel gooseneck; lever handles
	B-0350-BST Surgical sink fct w/rigid gooseneck; 6" WH; rosespray
	B-0351-BST Surgical sink fct w/rigid gooseneck; 6" WH; stream reg.
	B-0352 & -04 Surgical sink fct w/rigid GN; 6" & 4" WH; rosespray
	B-0353 & -04 Surgical sink fct w/rigid GN; 6" & 4" WH; stream reg.
	B-0363 Service sink fct w/VB nozzle; 6" WH; bottom brace
	B-0650-BSTP Service sink fct w/pail hook nzl; btm brace; polished
	B-0650-BSTR Service sink fct w/pail hook nzl; btm brace; rough
	B-0652 Service sink fct; 6" wrist-action handles; bottom brace
	B-0655-BSTP Service sink fct w/VB nozzle; bottom brace; polished
	B-0655-BSTR Service sink fct w/VB nozzle; bottom brace; rough
	B-0657-BST Service sink fct w/VB nozzle; 6" WH; bottom brace
	B-0660-BSTP Service sink fct w/pail hook nozzle; top brace; polished
	B-0660-BSTR Service sink fct w/pail hook nozzle; top brace; rough
	B-0665-BSTP Service sink fct w/VB & pail hook; top brace; polished
	B-0665-BSTR Service sink fct w/VB & pail hook; top brace; rough
	B-0674-BSTP Service sink fct w/VB & pail hook nozzle; polished
	B-0674-BSTR Service sink fct w/VB & pail hook nozzle; rough

General Instructions

Note: This is a general instructional example of units using -BST. Nozzles should be installed on unit first.

Nozzle Installation: ex. model B-0665-BST

1. Remove no.6 from both sides of no.1.
2. Apply Loctite #680 to threads of no.5 and no.12.
3. Insert no.12 into no.11. Thread no.5 into no.11, then rotate no.11 into no.1 until tight with no.12 facing front of sink.
4. Replace no.6 into no.1 following nozzle installation.



Faucet Installation:

5. Shut off water supply and drain lines. Drill (2) two 7/8" [2.2 cm] holes in wall or backsplash of sink, 8" [20 cm] center to center, where you are installing no.1.
6. Apply teflon tape or pipe joint compound to threads of water supply lines.
7. Remove no.2 from no.1 and attach no.2 to water supply lines flush against wall. Tighten by hand. *Trim supply lines if necessary.*
8. Attach no.1 to no.2, adjusting center to center fit by turning no.2 if needed. *Make sure no.3 remains in place.* Tighten no.2 firmly with a wrench.
9. Turn on water supply and check for leaks.

Upper Nozzle Support Installation:

10. Attach no.14 to no.12 by screwing no.14 into *clevis* on no.12.
11. Position no.17 against wall. Mark holes and secure no.17 to wall using no.15.

Adjusting Built-in Stops:

Insert a screwdriver to adjust no.4 at the base of no.1 on each side. *Water should be turned on for this procedure.*

Close Stop
turn clockwise



Open Stop
turn counter-clockwise

no.4 adjusting screw



Bottom view of faucet body and Built-in Stop

P-4



Technical Sheet

Versacooler® II with VersaFilter

- PGF8ACSL
- PGFACSL

Suggested Specification

Model PGF8ACSL shall deliver 8.0 gph of 50° F water at 90° F ambient and 80° F inlet water per ASHRAE 18 testing. Model PGFACSL is a non-refrigerated drinking fountain and delivers ambient water. Shall have VersaFilter for taste, odor, lead and chlorine reduction. Shall include four antimicrobial copper push pads. Basin shall be designed to eliminate splashing and standing water. Water saver bubbler to reduce waste water by 50% and shall have flexible guard and operate between 20 and 100 PSI. Cabinet finish shall be brushed stainless steel or sandstone on galvanized steel. Shall use R-134a refrigerant. Shall comply with ANSI 117.1 and ADA. Shall be listed by Underwriters Laboratories to US and Canadian standards. Shall comply with NSF/ANSI 61 and NSF/ANSI 372.



Models

- PGF8ACSL delivers 8.0 gallons of chilled drinking water per hour
- PGFACSL is a non-refrigerated fountain

Standard Features

- Universal design allows for universal installation
- Filtration system for taste, odor, lead and chlorine reduction
- Built-in 100 micron strainer stops particles before they enter the waterway
- Waterways are Lead-Free in materials & construction
- Flexible and one-piece water saver bubbler
- Stainless steel top and heavy duty galvanized steel frame
- Four antimicrobial copper push pads per side
- External stream height adjustment
- Mechanical activation

Finishes

- Standard cabinet finish: Greystone powder coated paint on galvanized steel
- Optional finishes: Sandstone powder coated paint; Stainless steel (at additional cost)

Installation

- Prior to roughing consult with local, state and federal codes for proper mounting height
- Shipped with complete instructions and wall mounting bracket
- Removable side and front panels provide easy access for installation

Options

- Push handle glass fillers (029603-004)
- One piece chrome plated brass bubbler (036700-001)
- Cane apron (035174-001)
- Filter replacement cartridge (033879-001)

Limited 5-Year Warranty

(Continental limits of the United States and Canada)
Five years on the sealed refrigeration system and most component parts. Detailed warranty certificate enclosed with each water cooler; sample available upon request.

Export Warranty

One year on components parts. Detailed warranty certificate enclosed with each drinking fountain; sample copy available upon request.

Certifications/Compliance

- Antimicrobial Copper - EPA Registration No. 89187-3
- Certified to UL 399 and CAN/CSA C22.2 No.120 (electric water coolers only)
- Product Certified to NSF/ANSI Standard 61-G & 372 and conforms with the lead content requirements for "Lead Free" plumbing as defined by California, Vermont, Maryland, and Louisiana state laws and the U.S. Safe Drinking Water Act.
- These water coolers comply with the requirements of ADA (Americans with Disabilities Act) when properly installed.



WARNING:
Cancer and Reproductive Harm
www.P65Warnings.ca.gov



Model	50° F Drinking Water 90° F Ambient Air Temp*			Hot'N Cold™ Model	115 Volts, 60 HZ			Glass Filler Acc. Option	Cabinet Color Finish	Net Wt. Approx.
	Rated Capacity GPH	Base Rate GPH	Pre-Cool- er		Compr. HP	Full Load Amps	Rated Watts			
PGF8ACSL	8.0	8.0	No	No	1/4	4.6	460	Yes	Yes	95 Lbs
PGFACSL				Fountain Only				Yes	Yes	65 Lbs

*Industry standard rating condition 80° F inlet water temperature

Specifications subject to change without notice



Illustrated Parts Breakdown

**Models: P8AC, PG8AC
P8ACSL, PG8ACSL**



SPECIFICATIONS:

Models: P8AC, PG8AC

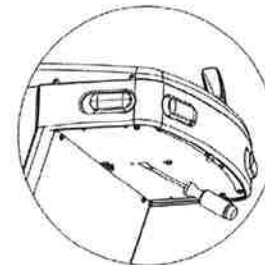
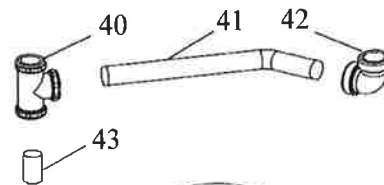
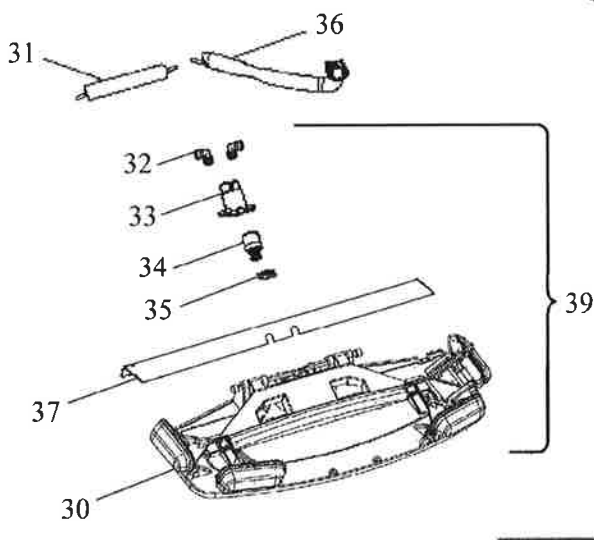
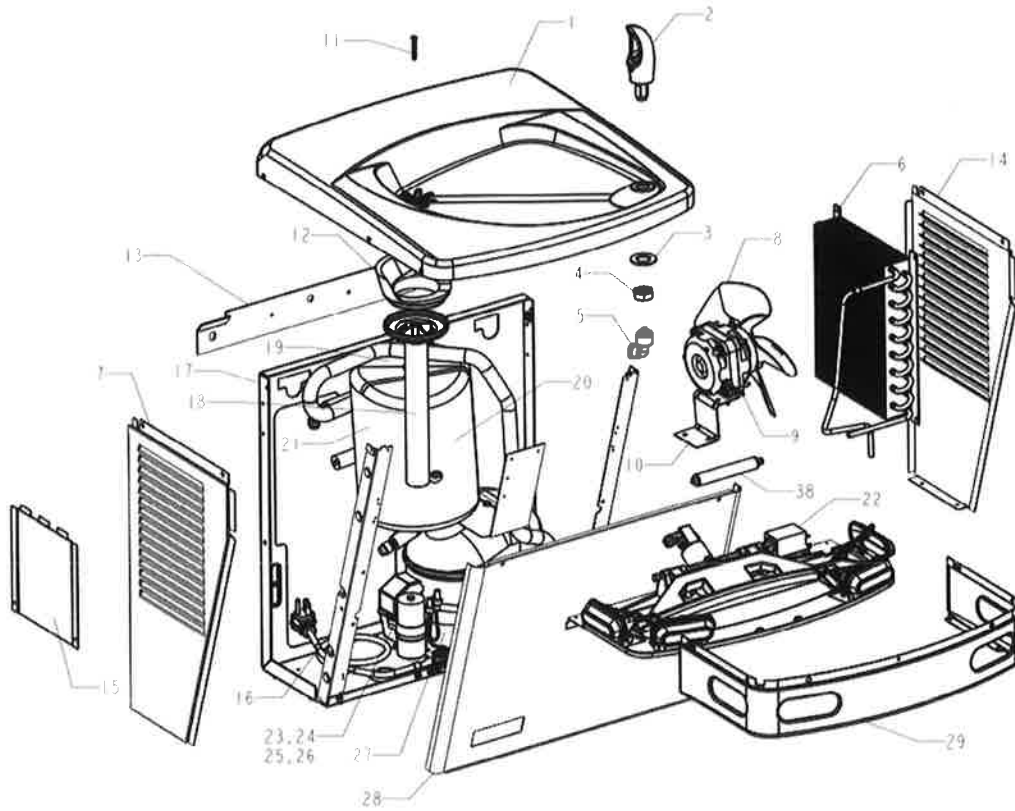
Voltage	115VAC±10%/1 PH/60 Hertz
Size	17 5/8" W, 18 5/8" D, 18 29/32" H
Shipping Weight (Approx)	59 lbs.
Cold Water Capacity*	8 GPH
Compressor	1/4 hp
Refrigerant	134a
Compressor (Full Load) - Huayi	4.4 amps
Refrigerant Charge - Huayi	3.95 OZ
Compressor (Full Load) - Danfoss	4.8 amps
Refrigerant Charge - Danfoss	4.75 OZ

Models: P8ACSL, PG8ACSL

Voltage	115VAC±10%/1 PH/60 Hertz
Size	35 1/4" W, 18 5/8" D, 24 29/32" H
Shipping Weight (Approx)	84 lbs.
Cold Water Capacity*	8 GPH
Compressor	1/4 hp
Refrigerant	134a
Compressor (Full Load) - Huayi	4.4 amps
Refrigerant Charge - Huayi	3.95 OZ
Compressor (Full Load) - Danfoss	4.8 amps
Refrigerant Charge - Danfoss	4.75 OZ

*Room Temperature 90°F; Supply Water Temperature 80°F; Drinking Water Temperature 50°F.

Specifications subject to change without notice.



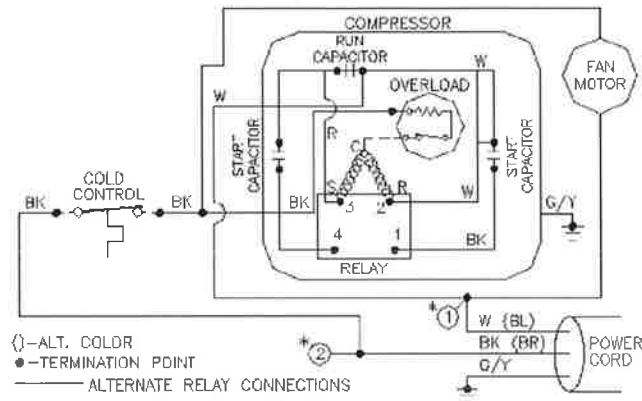
To adjust stream height, insert a 1/8" Flat blade screwdriver into the slotted hole as shown. The screwdriver will engage the stream height adjuster in the cartridge plunger. Turn clockwise to increase stream height, or ccw to reduce stream height.

Parts List

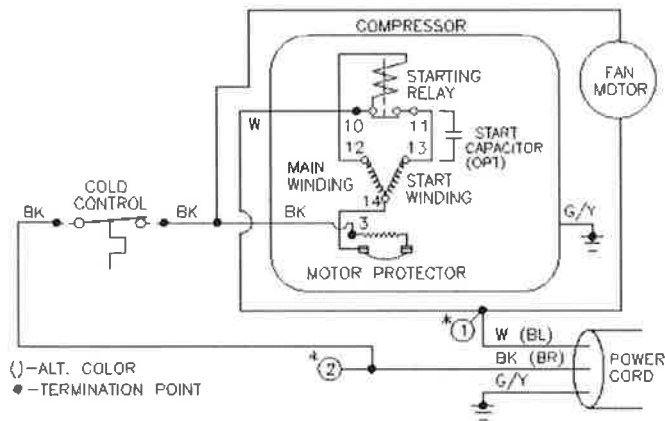
Item #	Description	PG8AC	PG8ACS	PGACS
1	Top, New Design - Requires 031756-003 Waste Drain Gasket	038934-101	038934-101	038934-101
2	Bubbler, Antimicrobial	035607-111	035607-111	035607-111
3	Washer, Undertop	028706-030	028706-030	028706-030
4	Locknut	026824-019	026824-019	026824-019
5	Bubbler Nut W/JG	036026-001	036026-001	036026-001
6	Condenser	031766-201	031766-201	N/A
7	Side Panel, Left Sandstone	035080-009	035080-309	035080-009
	Side Panel, Left Greystone	035080-001	035080-301	035080-001
	Side Panel, Left Stainless Steel	035080-010	035080-310	035080-010
8	Blade, Fan - (H3XX & D3X1 series)	024033	024033	N/A
	Blade, Fan - (D3X3 & D3X4 Series) Included with 038813-001 Fan Motor	038773-002	038773-002	N/A
9	Motor, Fan - (H3XX & D3X1 series)	027354-036	027354-036	N/A
	Motor, Fan - (D3X3 & D3X4 Series) Includes 038773-002 Fan Blade	038813-001	038813-001	N/A
10	Bracket, Fan Motor	036478-001	036478-001	N/A
11	Drain Screw	036049-002	036049-002	036049-002
12	Waste Gasket - (H3XX & D3X1 series)	031756-002	031756-002	031756-002
	Waste Gasket - (D3X3 & D3X4 Series) for new top design 038934-101	031756-003	031756-003	031756-003
13	Hanger Bracket	031363-002	031363-002	031363-002
14	Side Panel, Right Sandstone	035081-009	035081-009	035081-309
	Side Panel, Right Greystone	035081-001	035081-001	035081-301
	Side Panel, Right Stainless Steel	035081-010	035081-010	035081-310
15	Patch Plate, Sandstone	N/A	036142-009	036142-009
	Patch Plate, Greystone	N/A	036142-001	036142-001
	Patch Plate, Stainless Steel	N/A	036142-010	036142-010
16	Service Cord	036820-001	036820-001	N/A
17	Frame	035089-001	035089-001	035089-001
18	Waste Assy	036011-001	036011-002	036009-002
19	Insulation Right Cooling Tank	035088-001	035088-001	N/A
20	Insulation Left Cooling Tank	035088-002	035088-002	N/A
21	Cooling Tank, Insulated - Huayi	033469-055-SP	033469-055-SP	N/A
	Cooling Tank, Insulated - (D300, D3X1 & D3X3 Series)	033469-001	033469-001	N/A
	Cooling Tank, Insulated - (D3X4 Series)	033469-060	033469-060	N/A
22	Cold Control	027040-039	027040-039	N/A
23	Relay - Huayi	036056-003	036056-003	N/A
	Relay/Overload Combo - Danfoss	032836-007	032836-007	N/A
24	Overload - Huayi	036055-003	036055-003	N/A
25	Start Capacitor - 60 MFD - Huayi	027956-008	027956-008	N/A
	Start Capacitor - Danfoss	027956-004	027956-004	N/A
26	Run Capacitor - 25 MFD - Huayi	027956-009	027956-009	N/A
27	Compressor Assy. - Huayi	036115-001	036115-001	N/A
	Compressor Assy. - Danfoss	033425-006	033425-006	N/A
28	Front Panel, Sandstone	035079-009	035079-009	035079-009
	Front Panel, Greystone	035079-001	035079-001	035079-001
	Front Panel, Stainless Steel	035079-010	035079-010	035079-010
29	Front Nosepiece, Sandstone	035077-009	035077-009	035077-009
	Front Nosepiece, Greystone	035077-001	035077-001	035077-001
	Front Nosepiece, Stainless Steel	035077-010	035077-010	035077-010
30	Activation Assy.	035412-005-SP	035412-005-SP	035412-005-SP
31	Waterline, Tank to Valve	035504-011-SP	035504-011-SP	N/A
	Waterline, Inlet to Valve or Tank	035504-010-SP	035504-010-SP	035504-010-SP
32	Union Elbow Fitting JG	028481-101	028481-101	028481-101
33	Cartridge Holder	035990-001	035990-001	035990-001
34	Cartridge	029967-005	029967-005	029967-005
	Cartridge	029967-002	029967-002	029967-002
35	Retaining Nut, Cartridge	A020957	A020957	A020957
36	Waterline, Valve to Bubbler	035504-013-SP	035504-013-SP	035504-013-SP
37	Shelf	035078-002	035078-002	035078-002
38	Drier	034343-003	034343-003	N/A
39	Activation Shelf	035092-110	035092-110	035092-110
40	Waste Tee	N/A	N/A	A020968
41	Waste Arm Assy.	N/A	N/A	026980-004
42	Waste Elbow	N/A	N/A	A020967
43	Waste Extension Tube	N/A	N/A	036010-016
Parts Not Shown				
	Strainer, In-Line	033264-003	033264-003	033264-003
	Supply Tube Extension	N/A	N/A	032312-001
	Screw, T15	031875-003	031875-003	031875-003
	Insert, Nameplate OASIS	020850	020850	020850

Wiring Diagram: P8AC, PG8AC P8ACSL, PG8ACSL

- H3 Series



- D3 Series



OASIS International

222 East Campus View Blvd. - Columbus, OH 43235 U.S.A.
 614/861-1350 - Fax: 614/322-4557
www.oasiscoolers.com

OWNER'S COPY

OASIS Water Cooler 5-Year Limited Warranty Effective for Serial Numbers beginning with 0940 and Higher

FIRST YEAR:

The Manufacturer promises the original purchaser (user) to repair, replace, credit or, at the Manufacturer's option, to replace any part of this water cooler which proves to be inoperative due to a defect in material or workmanship under normal use, for a period of one year from the date of original installation or for a period of eighteen (18) months after date of shipment from the factory, whichever occurs first. During the one year warranty, the Manufacturer will either replace, credit, or repair, through its approved service center or factory repair department, provide labor and parts necessary to correct such inoperative condition at no charge, if the water cooler has been installed and operated in accordance with the written instructions furnished with the water cooler. If it becomes necessary to ship the inoperative water cooler to the approved service center or factory repair department, the Manufacturer will pay the transportation charges both ways via common carrier. Local delivery charges are not covered.

The cost of labor required to disconnect and reconnect plumbing and electrical connections will be the responsibility of the user (owner).

SECOND THRU FIFTH YEARS:

The Manufacturer promises in the Second thru Fifth years to repair, credit (Pro-rated Value Based on the Remaining Warranty Period), or at its option, to replace any part of the sealed refrigeration system (compressor, condenser, evaporator, and interconnecting refrigerant lines) which prove to be inoperative due to a defect in material or workmanship. The Manufacturer will provide the labor at no charge through its approved service center or the factory repair department to install such parts of the sealed refrigeration system.

If it becomes necessary to ship the inoperative water cooler to the approved service center, the Manufacturer will pay the transportation charge both ways via common carrier. Local delivery charges are not covered.

The cost of labor to diagnose a sealed refrigeration system failure or the cost of labor required to disconnect and reconnect plumbing and electrical connections, will be the responsibility of the user (owner).

GENERAL PROVISIONS AND EXCLUSIONS:

This warranty applies only within the Continental Limits of the United States of America and Canada.

This warranty does not apply and no agreement, either expressed or implied, shall be applicable if the affixed serial number is removed, defaced or obliterated.

This warranty does not apply if service of the sealed refrigeration system or parts furnished as original equipment by the Manufacturer are not obtained from an approved service center or the factory.

This warranty does not apply to any water components that become inoperative due to liming conditions.

This warranty does not apply to any water cooler or components that become inoperable because of a failure to satisfy standards or regulations adopted by any government or agency thereof subsequent to the date of shipment from the factory.

This warranty does not cover performance, failure or damages of any part resulting from external causes such as alterations, abuse, misuse, misapplication, corrosion or acts of God. This warranty does not apply to non-refrigerated water fountains, cuspidors, dispensers and accessories, nor the following models: VP13FSN; ER2-RR; TPK; ER2; R1P. These products and models have individual warranties.

WARNING

The warranty and the Underwriters' Laboratory listing for this machine are automatically voided if this machine is altered, modified, or combined with any other machine or device. Alteration or modification of this machine may cause serious flooding and/or hazardous electrical shock or fire.

Except as set forth herein, the Manufacturer makes no other warranty, guarantee or agreement expressed, implied or statutory, including any implied warranty of merchantability or fitness for a particular purpose.

The foregoing is in lieu of all other agreements expressed, implied or statutory and all other obligations or liabilities of the Manufacturer. The Manufacturer does not assume or authorize any person to assume any obligations of liability in connection with this product. In no event will the Manufacturer be liable for special or consequential damages or for any delay in the performance of this agreement due to causes



OASIS is a Certified Women's Business Enterprise
© 2011 LVD Acquisition, LLC
OASIS is a registered trademark of LVD Acquisition, LLC dba Oasis International

For Customer Service and Technical Helpline call:

800.646.2747

Or visit us online at:

oasiscoolers.com | oasis-parts.com

REVIEW OF PLUMBING SUBMITTALS

Project: Phase III Restoration of the Ritz Theater
Location: Malvern, Arkansas **P&P Job No.** 22-024
Date of Receipt: Monday, March 27, 2023
Date of Review: Tuesday, March 28, 2023
Reviewed by: Terry Jacks
Email: tjacks@pettitinc.com

Signed: 

Checking is for conformance with the design concept of the Project and compliance with the information given in the Contract Documents. The Contractor is responsible for dimensions to be confirmed and correlated at the job site; for information that pertains solely to the fabrication processes or to techniques of construction; and for coordination of the work of all trades.

Item	Approval Status		Comments
Section 22 05 19 -Meters and Gauges	Approved as Corrected	○	-Provide hot water glass thermometers with range 30 degrees - 180 degrees F with 2 degree F scale divisions (0 degrees - 160 degrees Celsius) with 1 degree Celsius scale divisions. -Provide chilled water glass thermometers with range 30 degrees - 100 degrees F with 2 degrees F scale divisions (0 degrees-100 degrees Celsius) with 1 degree Celsius scale divisions. -Provide hot water dial type thermometers with range 0 degrees - 220 degrees F (-10 degrees - 110 degrees C).
Section 22 00 00 -Firestopping	Approved as Corrected	○	- Contractor to verify all sizes, quantities, and coordinate the use of firestopping materials in all fire rated separations. Coordinate fire barriers with architectural drawings. Coordinate the use of appropriate fire stopping materials for the applications and ensure that the UL listed materials are installed per manufacturer's specifications.
Section 22 05 53 -Plumbing Identification	Approved as Corrected	○	-Arrow banding tape shall overlap the pipe lable and fully lap the piping as shown on the product specification sheet.
Section 22 07 19 -Plumbing Piping insulation	Approved as Corrected	○	- Insulate fittings, joints, and valves with molded insulation of like material and thickness as adjacent pipe. High temp insulation inserts not approved.
Section 22 10 05 -Plumbing Piping	Approved	✓	-None
Section 22 10 06 -Plumbing Piping Specialties RPZ	Approved	✓	-None

Section 22 10 06 -Plumbing Piping Specialties PRV	Approved	✓	-None
Section 22 10 06 -Plumbing Piping Specialties FD-1	Approved as Corrected	○	-Provide floor drains with vandal proof installation.
Section 22 10 06 -Plumbing Piping Specialties FCO	Approved	✓	-None
Section 22 10 06 -Plumbing Piping Specialties WCO	Approved	✓	-None
Section 22 30 00 -Plumbing Equipment WH-1	Approved	✓	-None
Section 22 40 00 -Plumbing Fixtures WC-1	Approved As Corrected	○	- Trip lever to be installed on wide side of room per ADA requirements.
Section 22 40 00 -Plumbing Fixtures L-1	Approved	✓	-None
Section 22 40 00 -Plumbing Fixtures SS-1	Approved	✓	-None
Section 22 40 00 -Plumbing Fixtures EWC-1	Approved	✓	-None
Section 23 00 00 -Electric Unit Heater			-Refer to Mechanical HVAC Submittals for status.



Note:

Submittal Review Comment Transmittal



Date: 3/10/2023

Project Name: Phase II Restoration of the Ritz Theater

Project No.: 19114.02

Owner: Arkansas State University Three Rivers

Contractor: Clark Contractors, LLC

Attn: Terry Jacks

Submittal: 22 10 05 Plumbing Piping

- Accepted
- Accepted as Noted
- Revise and Resubmit
- Not Accepted

By: Ryan Biles, AIA

Items Specified:

- A. 22 05 19 Meters & Gauges
- B. 22 00 00 Firestopping
- C. 22 05 53 Plumbing Identification
- D. 22 07 19 Plumbing Piping Insulation
- E. 22 10 05 Plumbing Piping
- F. 22 10 06 Plumbing Piping Specialties
- G. 22 40 00 Plumbing Fixtures
- H. 23 00 00 Electric Unit Heater

Acceptance is subject to the provisions of the General Conditions of the Contract for Construction AIA Document A201.

Submittal Comments:

- **Please review for compliance with Div. 22 specifications and Plumbing Drawings and return to SCM via email**

Attachments:

23-0310 Division 22 submittals not yet reviewed by architect

By: **Ryan Biles, AIA**

J:\2019\19114.02 Ritz Theater Phase III\1800 Submittals\DIV 22\TO MEP\23-0310_RitzTheaterPh3_SUBMITTAL_Div 22_TO PETTIT.docx

WC-1



Madera™ FloWise® 16-1/2" Height Elongated Flushometer Toilet

VITREOUS CHINA LESS EVERCLEAN®

BARRIER FREE

Madera™ FloWise® 16-1/2" Height Elongated LESS EverClean®

- Floor mount flushometer valve toilet
- Vitreous china
- High Efficiency, Low Consumption. Operates in the range of 1.1 gpf to 1.6 gpf (4.2 Lpf to 6.0 Lpf)
- Meets definition of HET (High Efficiency Toilet) when used with a high efficiency flush valve (1.1, 1.28 gpf or 1.6 / 1.1 gpf dual flush)
- Fully glazed 2-1/8" trapway
- Elongated bowl
- 10" or 12" roughing-in
- 16-1/2" rim height for accessible application
- Condensation channel
- Powerful direct-fed siphon jet action
- 10" x 12" water surface area
- 1-1/2" inlet spud
- 2 bolt caps included
- Tested to support static weight load of 2,500 lbs. (1,134 kg)



SEE REVERSE FOR ROUGHING-IN DIMENSIONS

System MaP* Score:

- 1,000 grams of miso @ 1.1 gpf, 1.28 gpf or 1.6 gpf when used with an American Standard flush valve

* Maximum Performance (MaP) testing performed by IAPMO R&T Lab. MaP Report conducted by Veritec Consulting, Inc. and Koeller and Company.

OPERATING PRESSURE:

25 psi (flowing) - 80 psi (static)

FLOW REQUIREMENT:

25 gpm (94.6 L/min.)

Component Parts:

- 047007-0070A Inlet Spud (furnished with bowl)
- 034783-0200A Bolt caps with retainers (furnished with bowl)

Nominal Dimensions:

718 x 356 x 419mm
(28-1/4" x 14" x 16-1/2")

Fixture only, less seat and flush valve

Compliance Certifications -

Meets or Exceeds the Following Specifications:

- ASME A112.19.2 / CSA B45.1 for Vitreous China Fixtures

MEETS THE AMERICANS WITH DISABILITIES ACT GUIDELINES AND ANSI A117.1 REQUIREMENTS FOR ACCESSIBLE AND USABLE BUILDING FACILITIES - CHECK LOCAL CODES.

- 3043.001 Elongated bowl only, top spud
- ~~3248.001 Elongated bowl only, top spud with slotted rim for bedpan holding~~
- 3249.001 Elongated bowl only, back spud

To Be Specified:

- Color: White
- Seat:
 - American Standard #5901.100 Heavy duty open front less cover
 - American Standard #5901.100SS Extra heavy duty open front less cover with EverClean®
- Flushometer Valve:



ENVIRONMENTAL
PRODUCT
DECLARATION

CEC



When used with
1.1 or 1.28 gpf
toilet flush valves

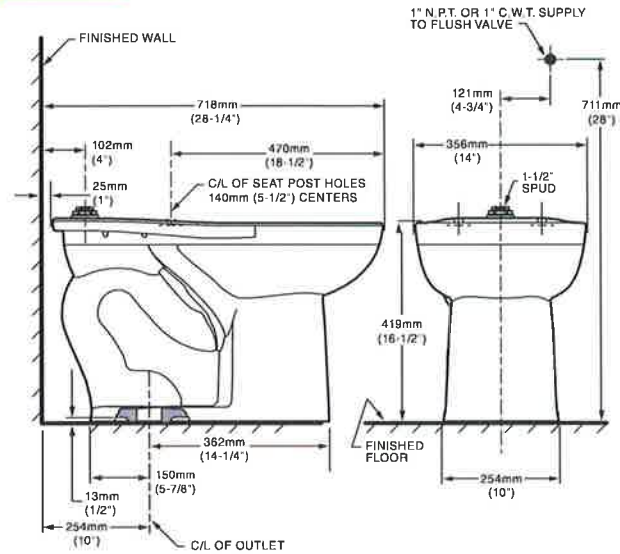


EVERCLEAN

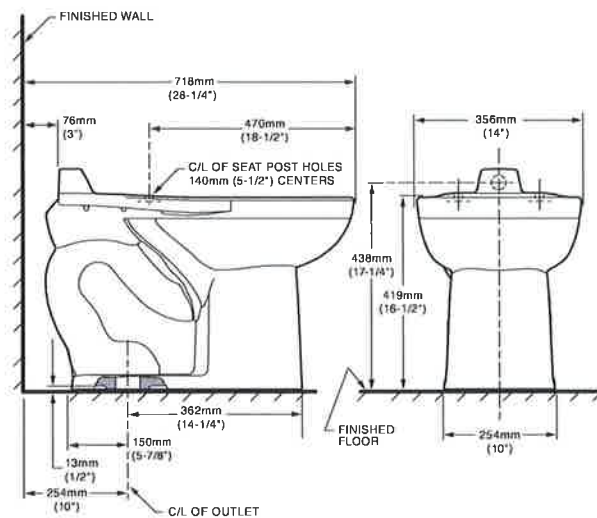


WATER
EFFICIENT

3043.001/3248.001



3249.001



NOTES:
 PRODUCT 3043 SHOWN, 3248 SAME EXCEPT WITH SLOTTED RIM FOR BED PAN HOLDING.
 TO COMPLY WITH AREA CODE GOVERNING THE HEIGHT OF VACUUM BREAKER ON THE FLUSHOMETER VALVE, THE PLUMBER MUST VERIFY DIMENSIONS SHOWN FOR SUPPLY ROUGHING.
 THIS TOILET DESIGNED TO ROUGH-IN AT A MINIMUM DIMENSION OF 254MM (10") AND A MAXIMUM DIMENSION OF 305MM (12") FROM FINISHED WALL TO C/L OF OUTLET.
 FLUSHOMETER VALVE NOT INCLUDED WITH FIXTURE AND MUST BE ORDERED SEPARATELY. FLUSHOMETER VALVE REQUIREMENTS FOR 12" (305MM) ROUGH-IN: SWEAT EXTENSION NIPPLE IS REQUIRED. REFER TO VALVE MANUFACTURER AND LOCAL CODES.

IMPORTANT: Dimensions of fixtures are nominal and may vary within the range of tolerances established by ANSI Standard A112.19.2. These measurements are subject to change or cancellation. No responsibility is assumed for use of superseded or voided pages.



Z6000

Exposed Flush Valve for Water Closets

TAG WC-1

Architectural/Engineering Specification:

Exposed, quiet diaphragm-type, chrome plated flushometer valve with a polished exterior. Complete with a chloramine resistant, dual seal diaphragm with a clog resistant by-pass. The valve is ADA compliant with a non-hold open and no leak handle feature. Internal seals are made of chloramine resistant materials.

Product Features:

- Control Stop has internal siphon-guard protection, sweat solder kit, wall flange with set screw.
- High back pressure vacuum breaker with one piece hex coupling nut
- Chloramine resistant Internal seals
- Adjustable tailpiece
- Spud coupling and flange for top spud connection



Valve Height Options:

	Product No.	A
<input checked="" type="checkbox"/>	Z6000	11 1/2" [292]
<input type="checkbox"/>	Z6000-1	16" [406]
<input type="checkbox"/>	Z6000-2	24" [610]
<input type="checkbox"/>	Z6000-3	27" [686]

Compliance and Certification:

- ADA Compliant



*This product should be used with a WaterSense labeled counterpart with a compatible flow volume to ensure that the entire system meets the requirements for water efficiency and performance.

Flow Options:

	Flush Volume	Dual Flush	WaterSense* Labeled
<input type="checkbox"/> -ONE**	1.1 gpf		✓
<input type="checkbox"/> -HET**	1.28 gpf		✓
<input checked="" type="checkbox"/> -WS1	1.6 gpf	1.6/1.1 gpf	
<input type="checkbox"/> -Standard	3.5 gpf	3.5/2.4 gpf	

Suffix Options:

- BG BioCare Handle
- DF Dual Flush Handle (See Chart Above)
- H Handle on Front of Flush Valve
- L 1" [25] Metal Push Button
- VC Vandal Resistant Stop Cover
- YJ Split Ring Pipe Support
- YK Solid Ring Pipe Support

Upgrade Options:

- PL **Aquaflush Plus** - includes Vandal Resistant Stop Cover and Proprietary Dezincification resistant low lead brass alloy body.
- TFB Triple Filter By-pass

** Not available w/-TFB

Architectural/Engineering Approval

The information contained in this document is subject to change without notice. Please contact Zurn for most up to date information.

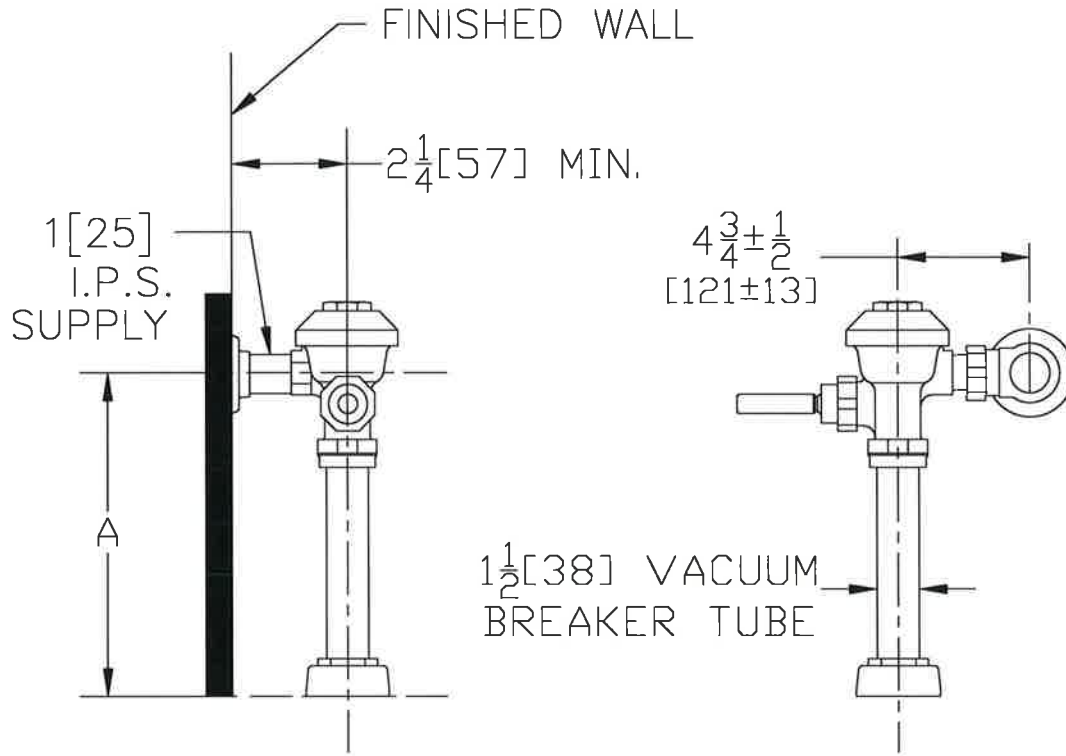


Z6000

Exposed Flush Valve for Water Closets

TAG _____

Rough-in/Overview dimensions



Rev. B | Date: 11/08/22 | C.N. No. 144844 | Prod./Dwg. No. SS Z6000

Patent zurn.com/patents

US 1.855.0NE.ZURN CANADA 1.877.892.5216

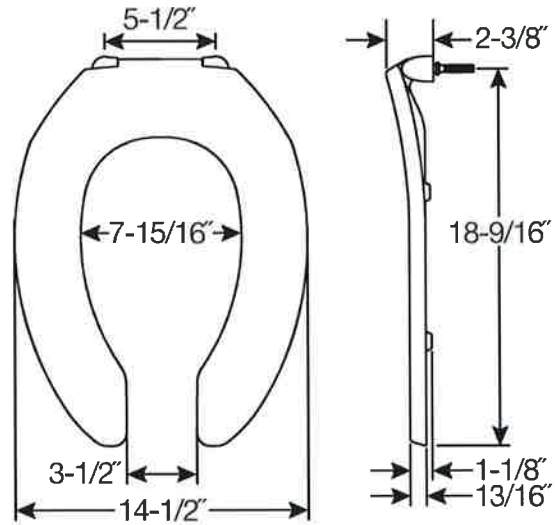
ZURN.COM

by **ZURN ELKAY** Water Solutions



295CT / 295SSCT

COMMERCIAL HEAVY-DUTY
PLASTIC TOILET SEAT



FEATURES:

- **STA-TITE® Commercial Fastening System™**
Eliminates callbacks for loosened seats

SPECIFICATIONS:

Size: Elongated

Material: Plastic

Style: Open Front less Cover

Ring Bumpers: Four

Hinges: Plastic Non Self-Sustaining Check Hinges (295CT) or Self-Sustaining Check Hinges (295SSCT) with Non-Corroding 300 Series Stainless Steel Posts and Pintles

Hardware: STA-TITE® Commercial Fastening System™

Codes & Standards:



Complies with
IAPMO/ANSI Z124.5
Performance Standards
Heavy-Duty Commercial



Proudly Made in the USA

Eco-Friendly



L-1

Lucerne™ Wall-Hung Lavatory

- Wall-hung sink
- Vitreous china
- Front overflow
- D-shaped bowl
- Self-draining deck area with contoured back and side splash shields
- Faucet ledge
- Compliant with Texas Accessibility Standard (TAS) for children age group 13 and up

Faucet holes on 203 mm (8") centers:

- 0356.028** For exposed bracket support (by others)
- 0356.015** For wall hanger (included) or concealed arms support (by others)
- 0356.915** For wall hanger (included) or concealed arms support (by others) less overflow
- 0356.037** For wall hanger (included) or concealed arms support (by others) with extra 35 mm (1-3/8") hole for soap/lotion dispenser (by others) on right-hand side

Faucet holes on 102 mm (4") centers:

- 0355.027** For exposed bracket support (by others)
- 0355.012** For wall hanger (included) or concealed arms support (by others)
- 0355.912** For wall hanger (included) or concealed arms support (by others) less overflow
- 0355.056** For wall hanger (included) or concealed arms support (by others) with extra 35 mm (1-3/8") hole for soap/lotion dispenser (by others) on left-hand side
- 0355.034** For wall hanger (included) or concealed arms support (by others) with extra 35 mm (1-3/8") hole for soap/lotion dispenser (by others) on right-hand side
- 0355.041** With two holes spaced 343 mm (13-1/2") in back splash for 10 mm (3/8") bolts (by others)

Single center faucet hole:

- 0356.041** For exposed bracket support (by others)
- 0356.421** For wall hanger (included) or concealed arms support (by others)
- ~~**0356.921** For wall hanger (included) or concealed arms support (by others) less overflow~~
- 0356.439** For wall hanger (included) or concealed arms support (by others) with single faucet hole on right
- 0356.066** For exposed bracket support (by others) with single faucet hole on right
- 0356.115** For wall hanger (included) or concealed arms support (by others) with extra 35 mm (1-3/8") hole for soap/lotion dispenser (by others) on left-hand side
- 0356.137** For wall hanger (included) or concealed arms support (by others) with extra 35 mm (1-3/8") hole for soap/lotion dispenser (by others) on right-hand side



0355.012



0356.041

SEE FOLLOWING PAGES FOR ROUGHING-IN DIMENSIONS

Compliance Certifications -

Meets or Exceeds the Following Specifications:

- ASME A112.19.2 / CSA B45.1 for Vitreous China Fixtures

Nominal Dimensions:

540 x 464 mm
(21-1/4" x 18-1/4")

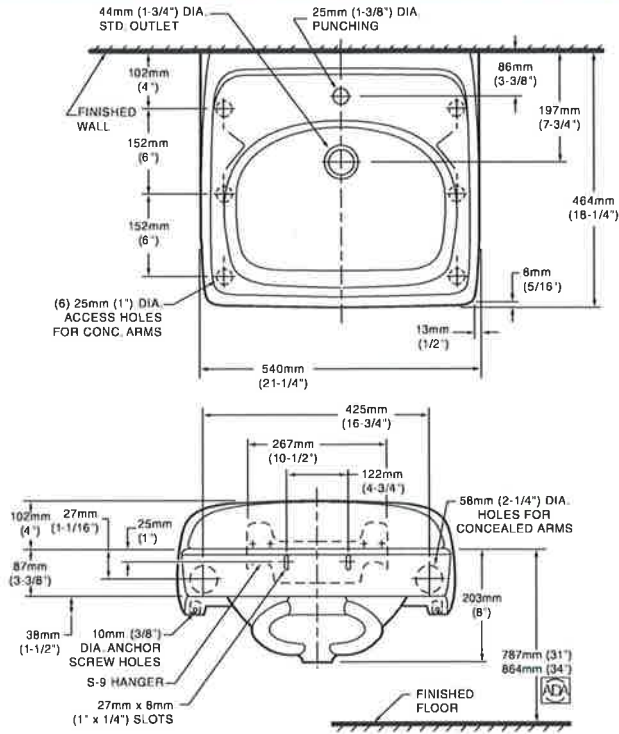
Bowl sizes:

379 mm (14-7/8") wide
254 mm (10") front to back
165 mm (6-1/2") deep

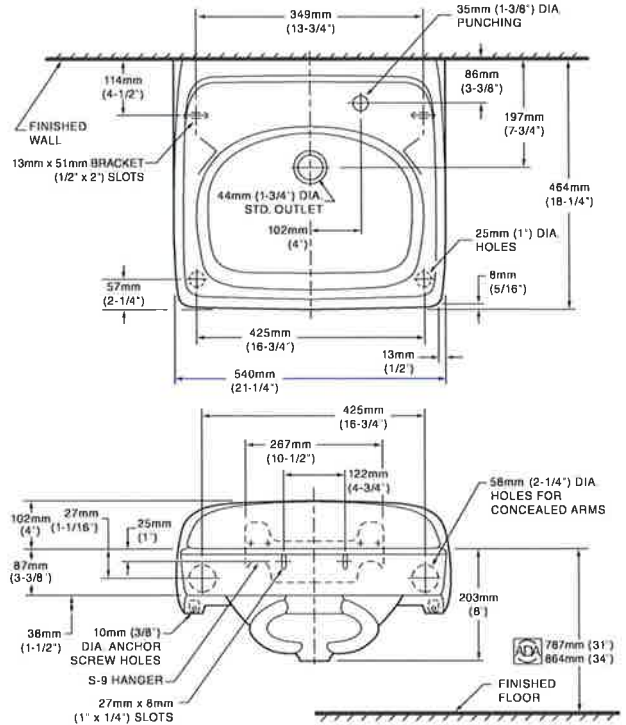
To Be Specified:

- Color: White
- Faucet:
- Faucet Finish:
- Supplies:
- 1-1/4" Trap:
- Bracket Support (by others):
- Concealed Arms Support (by others):

SINGLE CENTER HOLE CONFIGURATIONS
All Wall Hanger (included) or Concealed Arm Configurations



SINGLE CENTER HOLE ON RIGHT CONFIGURATIONS
All Wall Hanger (included) or Concealed Arm Configurations



NOTES:

* DIMENSIONS SHOWN FOR LOCATION OF SUPPLIES AND "P" TRAP ARE SUGGESTED. PROVIDE SUITABLE REINFORCEMENT FOR ALL WALL SUPPORTS. FITTINGS NOT INCLUDED AND MUST BE ORDERED SEPARATELY. CONCEALED ARM SUPPORT AS REQUIRED TO BE FURNISHED BY OTHERS.

IMPORTANT: Dimensions of fixtures are nominal and may vary within the range of tolerances established by ANSI Standard A112.19.2. These measurements are subject to change or cancellation. No responsibility is assumed for use of superseded or voided pages.



MEETS THE AMERICANS WITH DISABILITIES ACT GUIDE-LINES AND ANSI A117.1 ACCESSIBLE AND USABLE BUILDINGS AND FACILITIES - CHECK LOCAL CODES.
Top of front rim mounted 864mm (34") from finished floor.



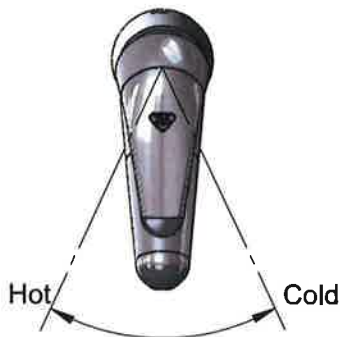
T&S BRASS AND BRONZE WORKS, INC.
 2 Saddleback Cove / P.O. Box 1088
 Travelers Rest, SC 29690

Model No.

B-2701

Item No.

Travelers Rest, SC: 800-476-4103 • Simi Valley, CA: 800-423-0150 • Fax: 864-834-3518 • www.tsbrass.com



This Space for Architect/Engineer Approval

Job Name _____ Date _____

Model Specified _____ Quantity _____

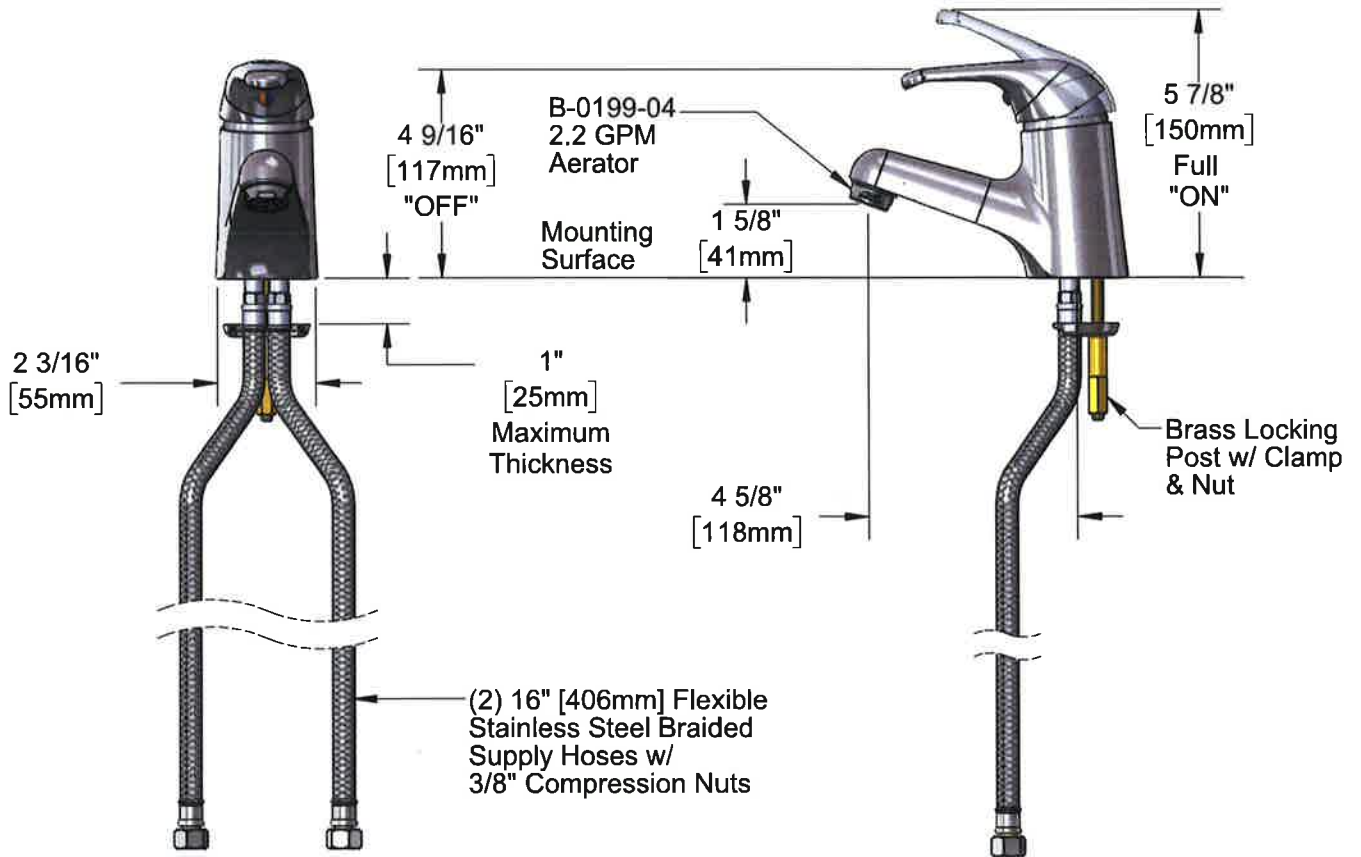
Customer/Wholesaler _____

Contractor _____

Architect/Engineer _____



ADA Compliant



Rough-in Requirement:
 $\phi 1 \frac{1}{2}$ " [38mm] Mounting Hole

Product Specifications:
 Single Hole Single Lever Deck Mount Faucet, Ceramic Cartridge, Temperature Limit Stop, 2.2 GPM Aerator & 16" Flexible Stainless Steel Braided Supply Hoses

Product Compliance:
 ASME A112.18.1 / CSA B125.1
 NSF 61 - Section 9
 NSF 372 (Low Lead Content)
 ANSI A117.1 (ADA)



T&S BRASS AND BRONZE WORKS, INC.

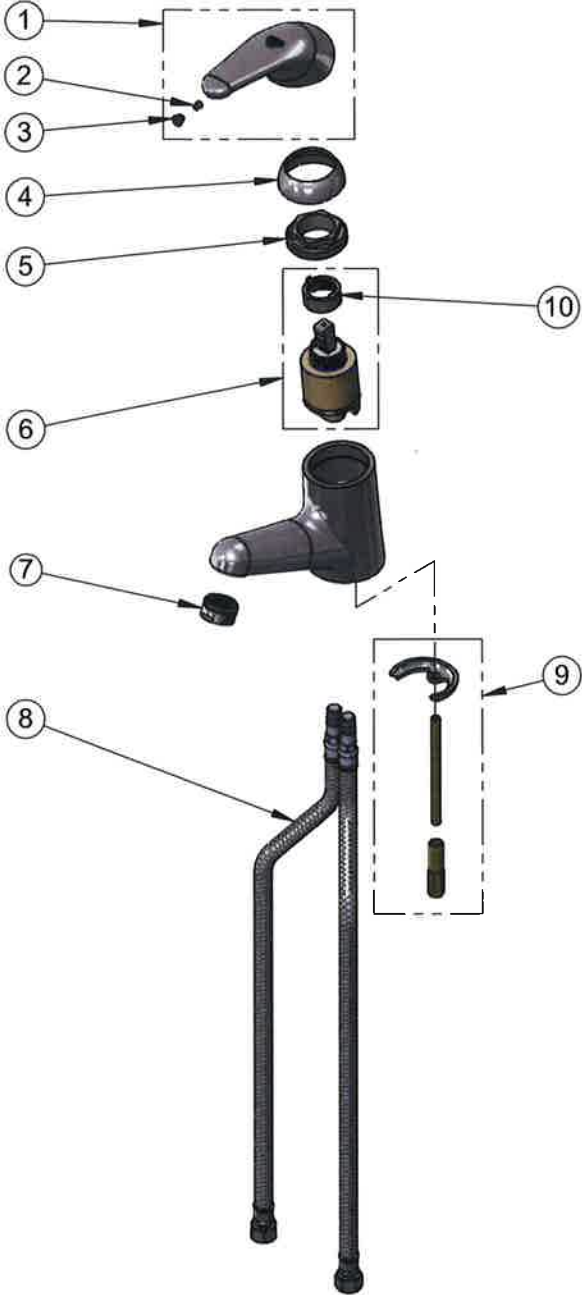
2 Saddleback Cove / P.O. Box 1088
Travelers Rest, SC 29690

Model No.

B-2701

Item No.

Travelers Rest, SC: 800-476-4103 • Simi Valley, CA: 800-423-0150 • Fax: 864-834-3518 • www.tsbrass.com



ITEM NO.	SALES NO.	DESCRIPTION
1	013113-45	Single Lever Handle
2	016675-45	Set Screw
3	014173-45	Temperature Index
4	016661-45	Trim Ring
5	016663-45	Locking Nut
6	013111-45	Ceramic Cartridge w/ Temperature Limit Stop
7	B-0199-04	2.2 GPM Aerator, 15/16-27 Male
8	016879-45	(2) 16" Flexible Stainless Steel Braided Supply Hoses, w/ 3/8" Compression Nuts
9	019116-45	Mounting Hardware Kit
10	015400-45	Temperature Limit Stop

Product Specifications:

Single Hole Single Lever Deck Mount Faucet, Ceramic Cartridge, Temperature Limit Stop, 2.2 GPM Aerator & 16" Flexible Stainless Steel Braided Supply Hoses

Product Compliance:

ASME A112.18.1 / CSA B125.1
NSF 61 - Section 9
NSF 372 (Low Lead Content)
ANSI A117.1 (ADA)

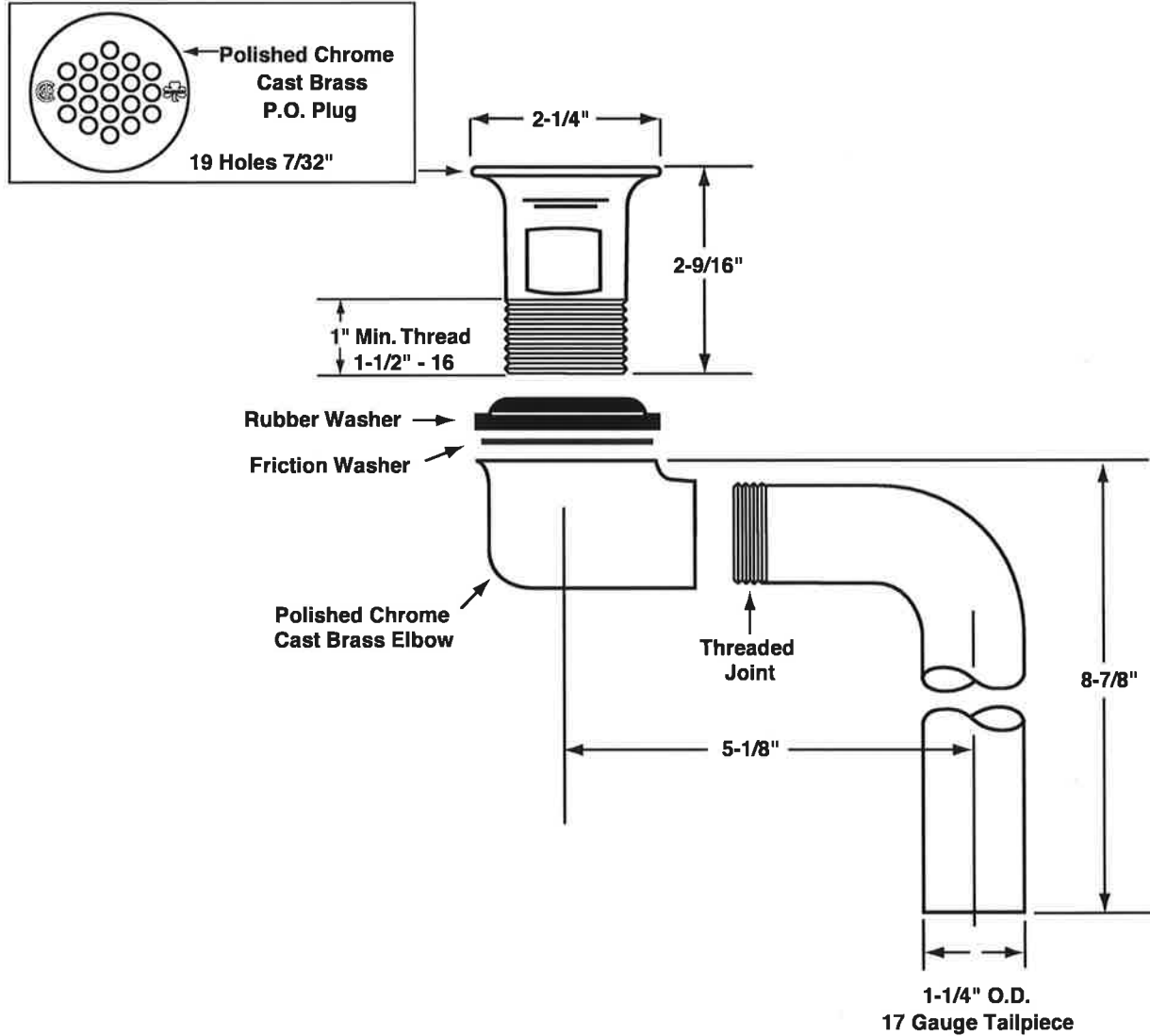


McGuire Manufacturing Co., Inc.
60 Grandview Court
P.O. Box 746 ♣ Cheshire, CT 06410
203-699-1801 ♣ Fax: 203-699-1813
www.mcguiremfg.com
PRODUCT SPECIFICATION

Part No.
155WC
**Offset Lavatory
Grid Strainer**

Job Name:

Submittal Number:



See options and accessories section for details on product variations.



Specifications:

Cast Brass Chrome Plated Offset Wheelchair Strainer with polished chrome cast brass elbow, 17 gauge 1-1/4 inch seamless brass offset tailpiece, heavy rubber basin washer and fiber friction washer. Offset lavatory strainer shall be in compliance with CSA or other recognized testing authority and bear both manufacturer and testing mark.



McGuire Manufacturing Co., Inc.

60 Grandview Court
 P.O. Box 746 • Cheshire, CT 06410
 203-699-1801 • Fax: 203-699-1813
 www.mcguiremfg.com

PRODUCT SPECIFICATION

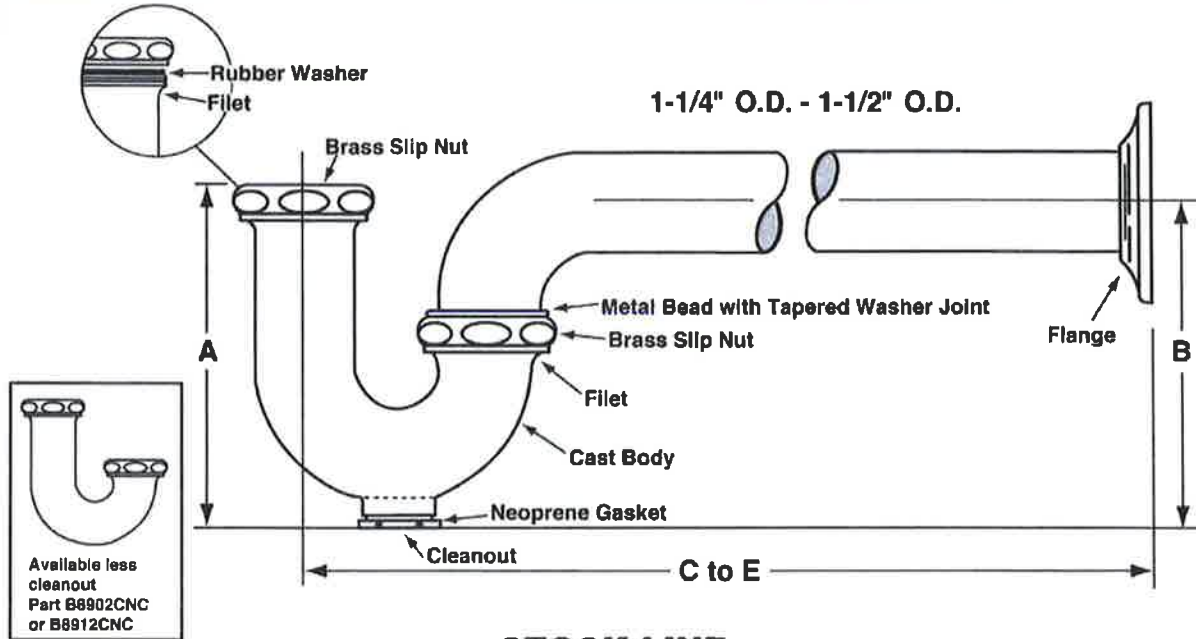
Part No.

**B8872, B8902, B8902CNC,
 B8912, B8912CNC,
 C8872, C8902, C8912**

**Cast Body P-Trap
 With or Without Cleanout**

Job Name:

Submittal Number:



STOCK LINE

ROUGHING MEASUREMENTS					
NO.	TRAP DIMENSIONS		A	B	C to E
	INLET	OUTLET			
B8872	1-1/4"	1-1/4"	5"	4-1/2"	10"
C8872	1-1/4"	1-1/4"	5"	4-1/2"	10"
B8902	1-1/4"	1-1/2"	5"	4-1/2"	10-1/2"
B8902CNC	1-1/4"	1-1/2"	4-5/8"	4-1/8"	10-1/2"
C8902	1-1/4"	1-1/2"	5"	4-1/2"	10-1/2"
B8912	1-1/2"	1-1/2"	5"	4-1/2"	10-1/2"
B8912CNC	1-1/2"	1-1/2"	4-5/8"	4-1/8"	10-1/2"
C8912	1-1/2"	1-1/2"	5"	4-1/2"	10-1/2"

**FED SPEC W.W.P. 541
 CAST BRASS P TRAP
 MINIMUM SEAL 2"**

Note: Prefix "C" indicates die cast slip nuts.

See options and accessories section for details on product variations.

Specifications:

P-Trap shall be chrome plated cast brass body (with, without) cleanout, with 17 gauge seamless tubular wall bend, slip nuts. Reducing washers shall be used with reducing cast brass nut. With (shallow, deep, bell) (steel, brass) or (forged brass with set screw) flange. P-Trap shall bear manufacturer and testing mark.



McGuire Manufacturing Co., Inc.

60 Grandview Court
P.O. Box 746 • Cheshire, CT 06410
203-699-1801 • Fax: 203-699-1813
www.mcguiremfg.com

PRODUCT SPECIFICATION

Part No.

**Options for
P-Traps**

Job Name:

Submittal Number:

CAST BODY P-TRAP OPTIONS

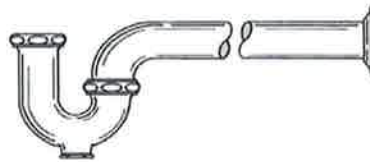
WALL BEND OPTIONS-

Add suffix to part number.

15 - 15" C to E (1-1/4" and 1-1/2" only)

18 - 18" C to E (1-1/4" and 1-1/2" only)

GJ - Ground joint wallbend
Custom sizes available.



FLANGE OPTIONS-

Add suffix to part number.

F - Forged Brass, set screw, chrome plated

DF - Deep Flange, (bell type) chrome plated brass

SDF - Deep Flange, (bell type) chrome plated steel

B - Box Flange, chrome plated wrought steel

BF - Box Flange, chrome plated brass

STANDARD FINISH OPTIONS-

Add suffix to part number.

C - Polished Chrome

S - Satin Chrome

Custom finishes available.

Options available for McGuire "Classic" Professional Line only.



McGuire Manufacturing Co., Inc.

60 Grandview Court
 P.O. Box 746 • Cheshire, CT 06410
 203-699-1801 • Fax: 203-699-1813
 www.mcguiremfg.com

PRODUCT SPECIFICATION

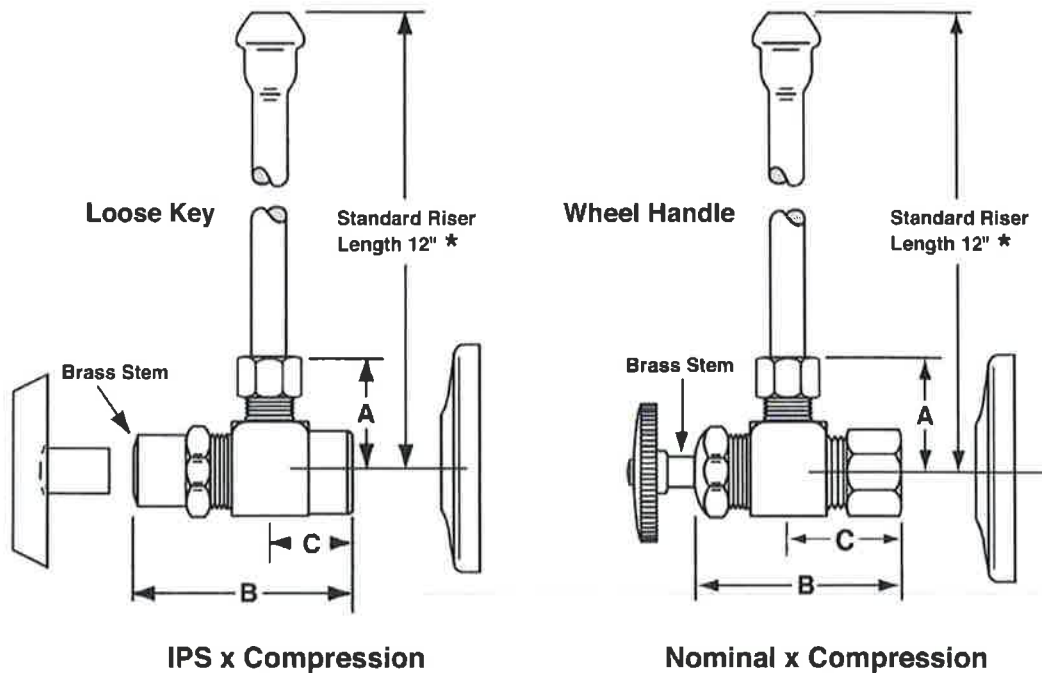
Part No.

LFH2165, **LFH2165LK**
 LFH2167, LFH2167LK,
 LFH2165CC, LFH2165CCLK

**AB1953 Compliant
 Heavy Lavatory Supply**

Job Name: _____

Submittal Number: _____



NO.	DESCRIPTION	ROUGHING MEASUREMENTS		
		A	B	C
LFH2165	1/2" IPS x 3/8" OD, Wheel Handle	1-3/8"	1-15/16"	1"
LFH2165LK	1/2" IPS x 3/8" OD, Loose Key	1-3/8"	2-5/8"	1"
LFH2167	1/2" IPS x 1/2" OD, Wheel Handle	1-3/8"	1-15/16"	1"
LFH2167LK	1/2" IPS x 1/2" OD, Loose Key	1-3/8"	2-5/8"	1"
LFH2165CC	1/2" Nominal x 3/8" OD, Wheel Handle	1-3/8"	2-1/4"	1-3/8"
LFH2165CCLK	1/2" Nominal x 3/8" OD, Loose Key	1-3/8"	2-15/16"	1-3/8"

LK designates *Loose Key*

* See options and accessories section for details on product variations.



Specifications:

Supply kit shall include heavy pattern chrome plated AB1953 compliant supply stop valves with full turn brass stem, no plastic, (12, 15, 20) inch chrome plated risers and (shallow, deep, bell) (steel, brass) or (forged brass with set screw) flange. Inlet shall be 1/2 inch (IPS, compression). Outlet shall be (3/8, 1/2) inch compression. Supply kit shall be McGuire _____ . Supply shall be AB1953 certified by recognized authority and bear manufacturer and testing mark.



McGuire Manufacturing Co., Inc.

60 Grandview Court
 Cheshire, Connecticut 06410
 (203) 699-1801 Fax (203) 699-1813
 customerservice@mcguiremfg.com mcguiremfg.com

PRODUCT SPECIFICATION

Part No.

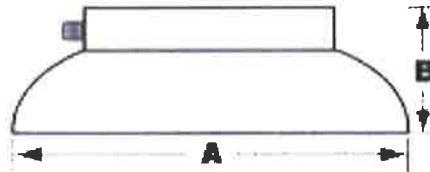
All Cast Brass Nipples and Set Screw Flanges

Job Name: _____

Submittal Number: _____



NO.	SIZE
1127	1-1/4" x 6"
2127	1-1/2" x 6"
3127	2" x 6"



NO.	SIZE	A	B
127038	3/8" I.P.S.	2.39"	.73"
127050	1/2" I.P.S.	2.25"	.7"
127058	5/8" O.D. (1/2" Copper)	2.39"	.73"
127069	11/16" O.D.	2.39"	.73"
127075	3/4" I.P.S.	2.25"	.7"
127078	7/8" O.D. (3/4" Copper)	2.25"	.7"
127100	1" I.P.S.	2.75"	.9"
1271251	1-1/4" I.P.S.	2.765"	.95"
1271250	1-1/4" O.D.	2.95"	1"
1271501	1-1/2" I.P.S.	2.95"	.9"
1271500	1-1/2" O.D.	2.95"	1"
1271580	1-5/8" O.D. (1-1/2" Copper)	2.8"	.9"
1271720	1-23/32" O.D.	Discontinued	
1272001	2" I.P.S.	3.675"	.9"
1272000	2" O.D.	3.3"	.95"

NO.	SIZE
N038015	3/8" x 1-1/2"
N038020	3/8" x 2"
N038030	3/8" x 3"
N038035	3/8" x 3-1/2"
N038040	3/8" x 4"
N038045	3/8" x 4-1/2"
N038050	3/8" x 5"
N038055	3/8" x 5-1/2"
N038060	3/8" x 6"
N038065	3/8" x 6-1/2"
N038100	3/8" x 10"
N038120	3/8" x 12"
N038150	3/8" x 15"
N038200	3/8" x 20"
N038240	3/8" x 24"
N050030	1/2" x 3"
N050040	1/2" x 4"
N050050	1/2" x 5"
N050055	1/2" x 5-1/2"
N050060	1/2" x 6"
N050080	1/2" x 8"
N125060	1-1/4" x 6"
N150060	1-1/2" x 6"
N200060	2" x 6"

Specifications:

All Cast Brass Nipples and Set Screw Flanges for use with P-Traps, supplies and shower arms. Highly polished and heavy chrome plated.



WARNING:

This product can be exposed to ultraviolet (UV) light, which is known to the State of California to cause cancer and birth defects or other reproductive harm. For more information go to: www.P669.com/prop65



COMBINATION KIT: ONE TRAP, TWO SUPPLY STOP PROTECTORS, AND ONE OFFSET DRAIN PROTECTOR

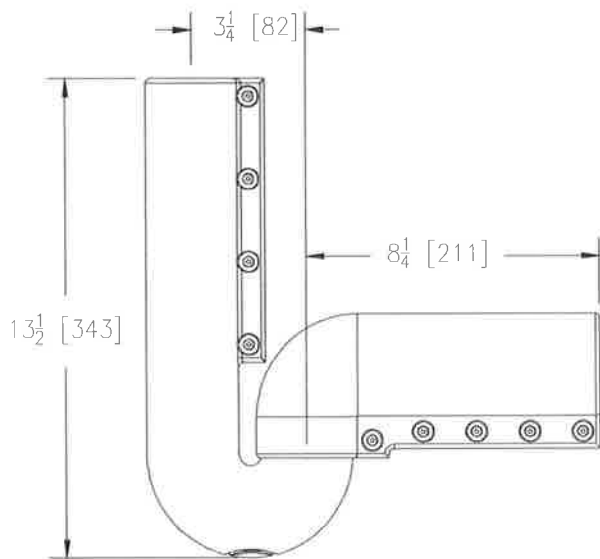
Z8946-3-NT

TAG _____

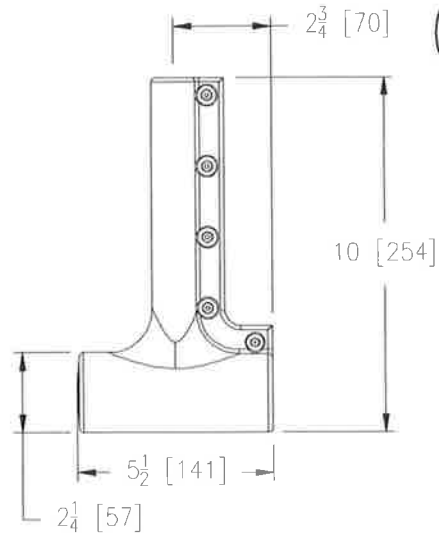


ENGINEERING SPECIFICATION: ZURN Z8946-3-NT Combination Kit: One trap protector, two supply stop protectors and one offset drain protector, satin white PVC resin. Antimicrobial, resists thermal transfer, and is ADA compliant. Trap protector fits both tubular and semi-cast P traps.

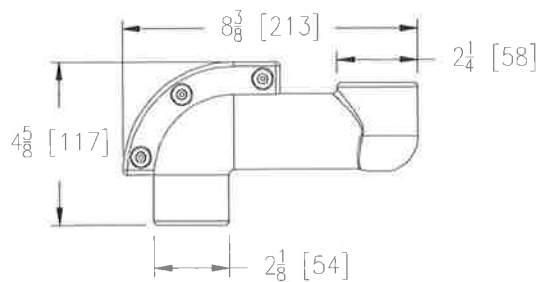
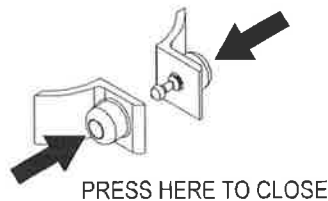
Patent Pending



TRAP PROTECTOR



SUPPLY STOP PROTECTOR



OFFSET DRAIN PROTECTOR

ZURN INDUSTRIES, LLC. ♦ COMMERCIAL BRASS OPERATION ♦ 5900 ELWIN BUCHANAN DRIVE ♦ SANFORD NC 27330

Phone: 1-800-997-3876 ♦ Fax: 919-775-3541 ♦ World Wide Web: www.zurn.com

In Canada: ZURN INDUSTRIES LIMITED ♦ 3544 Nashua Drive ♦ Mississauga, Ontario L4V1L2 ♦ Phone: 905-405-8272 Fax: 905-405-1292

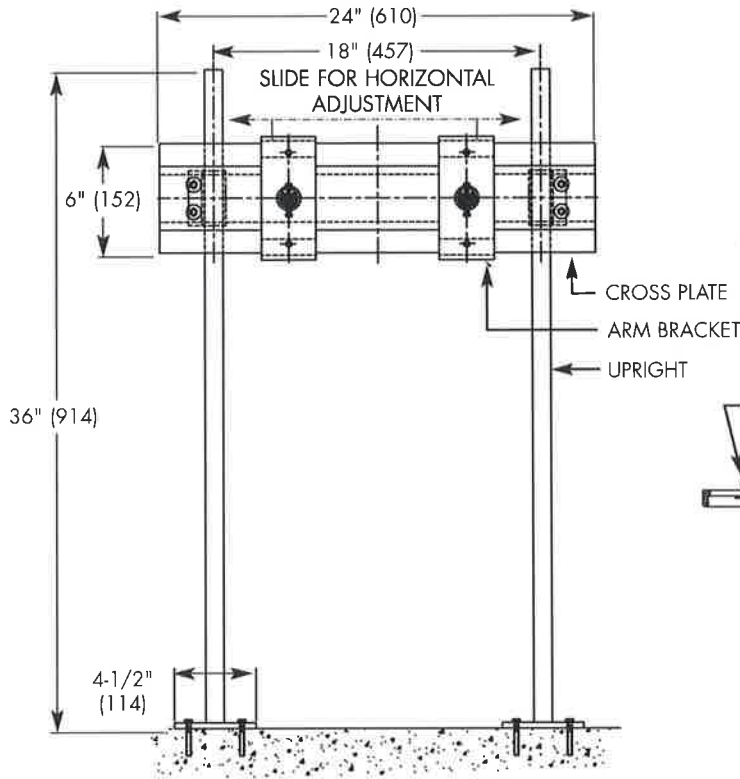


TCA-411

Floor Mounted Concealed Arm "Track" Lavatory Carrier

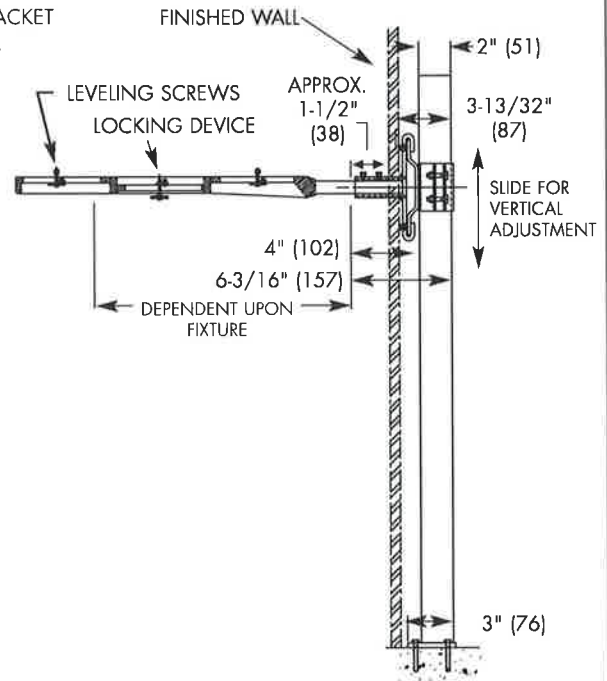
Tag: L-1

SPECIFICATION: Watts Drainage TCA-411 epoxy coated floor mounted concealed arm track lavatory carrier with heavy gauge steel offset uprights with welded feet, steel cross plate with integral mounting brackets, sliding adjustable arm brackets, and adjustable cast iron concealed arms with mounting clips, leveling screws, and basin locking device.



Options (Select One or More)		
Suffix	Description	
-M42	42" Long Carrier Leg	<input type="checkbox"/>
-M54	2" Chrome Plated Escutcheons, Single	<input type="checkbox"/>
-M55	4" Chrome Plated Escutcheons, Single	<input type="checkbox"/>
-M60	Knee Operated Valve Support Plate Single	<input type="checkbox"/>

NOTE: ANCHOR LEGS TO CONCRETE FLOOR WITH MINIMUM 1/2" (13) ANCHOR BOLTS (BY OTHERS)



*Patent Pending

Job Name Ritz Theater Contractor Comfort Systems USA
 Job Location Malvern Contractor's P.O. No. _____
 Engineer Pettit and Pettit Representative Sanders Supply

WATTS Drainage reserves the right to modify or change product design or construction without prior notice and without incurring any obligation to make similar changes and modifications to products previously or subsequently sold. See your WATTS Drainage representative for any clarification. Dimensions are subject to manufacturing tolerances.



Specification Drainage Products

USA: 100 Watts Road, Spindale, NC, 28160-2298; TEL: 828-288-2179 TOLL-FREE: 1-800-338-2581 www.watts.com

SS-1

**TERRAZZO
12" MOP SERVICE BASIN**

- One piece, precast terrazzo made of black and white marble chips in gray portland cement to produce a compressive strength not less than 3000 P.S.I. seven days after casting.
- Terrazzo surface shall be ground and polished with all air holes or pits grouted and excess removed.
- Shoulders shall be not less than 12" high outside and 10" inside at lowest wall. Shoulder width not less than 2" on all sides with a 1/4" pitch towards the inside.
- Standard drain body is stainless steel cast integrally and provides for a caulked lead connection not less than 1" deep to a 3" pipe.
- Stainless steel strainer # 1453BB

Options

- QDC quick drain connectors
- Integral galvanized tiling flanges available at no additional charge.
- Stainless steel tiling flanges available with up-charge. Must be custom order.
- Chrome plated brass drain or Vandal proof drain. Must be custom order.

- **TSB100, TSB300, TSB500, TSB700 Series** with stainless steel caps on all curbs
- TSB200, TSB400, TSB600, TSB800 Series** with plain curbs
- TSBC6000, TSBC6001, TSBC6002 Neo-corner Series** with plain curbs
- TSBC6010, TSBC6011, TSBC6012 Neo-corner Series** with stainless steel caps on all curbs

Optional Components:

- 830AA Mop Service Basin Fitting**
- **832AA Hose & Hose Bracket**
- 1239BB Aluminum Bumperguard** with Vinyl Insert
- 833AA Silicone Sealant**
- **MSG Wall Guards - Stainless Steel**
 - Wall Guards are manufactured of heavy gauge stainless steel and help protect walls adjacent to Mop Basin. Two panels are required for corner installations. Optional third panel is required for a recessed installation. (MSG2424: MSG2828; MSG3232; MSG3624; MSG3636)

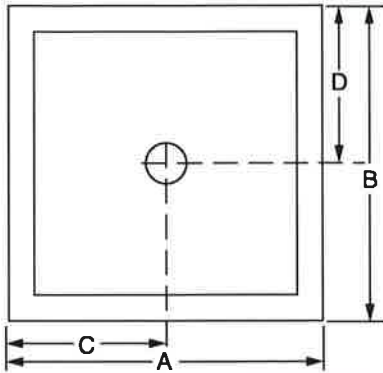


Shown: TSB500

SEE REVERSE FOR ROUGHING-IN DIMENSIONS

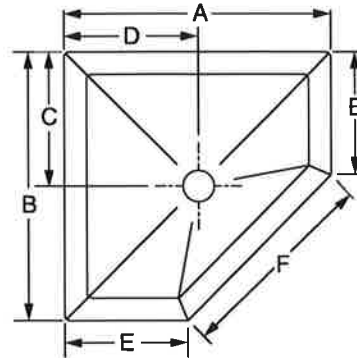
NOTES: Terrazzo Mop Basins **must** be installed on a 1/2" layer of mortar in order that the mop basin be level and to prevent cracking. Failure to install terrazzo without a mortar bed will void the warranty. Installations require a 1/4" clearance between mop basin and wall.

CERTIFICATIONS:



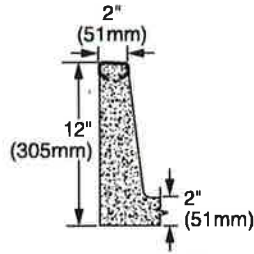
Series TSB100
With Stainless Steel Caps On All Curbs

MODEL	SIZE	A	B	C	D
TSB100	24" x 24" x 12"	24	24	12	12
TSB300	32" x 32" x 12"	32	32	10	10
TSB500	36" x 36" x 12"	36	36	18	18
TSB700	36" x 24" x 12"	36	24	18	12

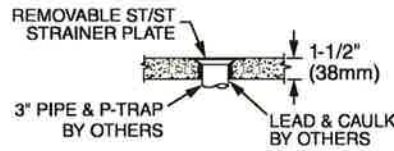


Series TSBC6010
With Stainless Steel Caps On All Curbs

MODEL	SIZE	A	B	C	D	E	F
TSBC6010	24" x 24" x 12"	24	24	12	12	11	18-1/4
TSBC6011	32" x 32" x 12"	32	32	12	12	14	25-3/8
TSBC6012	36" x 36" x 12"	36	36	12	12	18	25-3/8



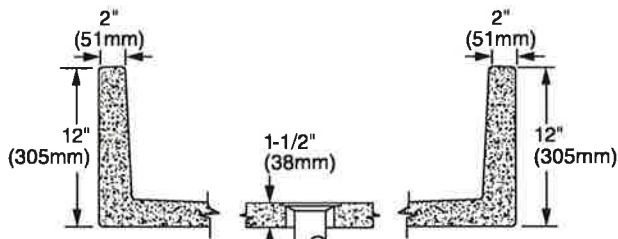
ST/ST CAP DETAIL



SECTION THRU DRAIN

Series TSB200
With Plain Curbs

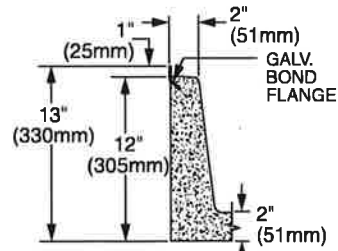
MODEL	SIZE	A	B	C	D
TSB200	24" x 24" x 12"	24	24	12	12
TSB400	32" x 32" x 12"	32	32	16	16
TSB600	36" x 36" x 12"	36	36	18	18
TSB800	36" x 24" x 12"	36	24	18	12



(LEAD CAULK & 3" PIPE "P" TRAP BY OTHERS)

Series TSBC6000
With Plain Curbs

MODEL	SIZE	A	B	C	D	E	F
TSB6000	24" x 24" x 12"	24	24	12	12	11	18-1/4
TSB6001	32" x 32" x 12"	32	32	12	12	14	25-3/8
TSB6002	36" x 36" x 12"	36	36	12	12	18	25-3/8



OPTIONAL GALV. TILING FLANGE

IMPORTANT: Roughing in dimensions may vary 1/2" and are subject to change or cancellation without prior notice.

Molded Stone[®] Mop Service Basins

FIAT



These rugged molded stone mop service basins are manufactured from the SMC process under the highest quality standards. The quality control molding is achieved in matched metal dies under intense heat and pressure with the result being a one-piece, dependable homogeneous product. Color is White.

SPECIFICATIONS

- 10" (254) high walls with 1" (25) wide shoulders. Model MSB-3624 includes an integrally molded shelf 10 9/16" (268) wide
- Stainless steel factory installed drain body complete with a QDC-3 joint connector for a 3" (76) drain pipe
- A combination dome strainer and stainless steel lint basket is included

Ces robustes cuves d'entretien de vadrouilles molded stone sont fabriquées grâce au procédé SMC selon les normes de qualité les plus rigoureuses afin d'en assurer la durabilité et d'éliminer les problèmes après l'installation. Le moulage se fait dans des matrices métalliques jumelées, à haute température et sous une forte pression, ce qui assure un produit homogène et fiable d'une seule pièce. La couleur est le blanc.

CARACTÉRISTIQUES

- Côtés de 10 po (254) avec épaulement de 1 po (25). Le modèle MSB-3624 comprend une tablette moulée intégrée de 10 9/16 po (268)
- Renvoi en acier inoxydable avec raccord QDC-3 pour tuyau de renvoi de 3 po (76)
- Crépine en coupole et filtre à charpie en acier inoxydable combinés compris

DIMENSIONS

MSB-3624

- ▲ 36" x 24" x 10" (914 x 610 x 254)
- ▲ Shipping weight / Poids à l'expédition: 70 lbs (32 kg)

MSB-2424

- ▲ 24" x 24" x 10" (610 x 610 x 254)
- ▲ Shipping weight / Poids à l'expédition: 50 lbs (23 kg)

OPTIONAL EQUIPMENT / ÉQUIPEMENT FACULTATIF

<p>830 AA – Wall mounted service faucet, chrome plated with vacuum breaker, integral stops, adjustable wall brace, pail hook and 3/4" (19) hose thread on spout. Body inlets 8" (203) center to center, four arm handles. Centre of spout outlet from back of wall flange 9 3/8" (238). CSA approved</p>		<p>830 AA – Robinet de service mural chromé avec coupe-vide, dispositif d'arrêt intégré, attache murale réglable et filets pour boyau 3/4 po (19) sur le bec. Conduites d'alimentation à 8 po (203) de centre à centre et clés à quatre ailettes. 9 3/8 po (238) entre le centre du bec et l'arrière de la bride murale. Homologué par L'ANCOR</p>																																								
<p>889 CC – Mop Bracket, 24" (610) long x 3" (76) wide, stainless steel with three (3) rubber grips</p>		<p>889 CC – crochet pour vadrouille, 24 po (610) de long par 3 po (76) de large, en acier inoxydable et muni de trois pinces à outils en caoutchouc</p>																																								
<p>E-77-AA – Vinyl bumper guards in 24" or 36" length</p>		<p>E-77-AA – butoirs en vinyle en 24 po ou 36 po de long</p>																																								
<p>1453 BB – Flat stainless steel strainer</p>		<p>1453 BB – Crépine plate en acier inoxydable pour utilisation résidentielle</p>																																								
<p>Quick Drain Connectors (QDC's)</p> <table border="1"> <thead> <tr> <th>For Use With</th> <th>QDC 3.2</th> <th>QDC 3SN</th> <th>QDC 3XH</th> <th>QDC 4</th> </tr> </thead> <tbody> <tr> <td>1/2" NPT</td> <td>•</td> <td>•</td> <td>•</td> <td>•</td> </tr> <tr> <td>3/4" NPT</td> <td>•</td> <td>•</td> <td>•</td> <td>•</td> </tr> <tr> <td>1" NPT</td> <td>•</td> <td>•</td> <td>•</td> <td>•</td> </tr> </tbody> </table>	For Use With	QDC 3.2	QDC 3SN	QDC 3XH	QDC 4	1/2" NPT	•	•	•	•	3/4" NPT	•	•	•	•	1" NPT	•	•	•	•		<p>Raccord rapide pour tuyau d'écoulement (QDC's)</p> <table border="1"> <thead> <tr> <th>For Use With</th> <th>QDC 3.2</th> <th>QDC 3SN</th> <th>QDC 3XH</th> <th>QDC 4</th> </tr> </thead> <tbody> <tr> <td>1/2" NPT</td> <td>•</td> <td>•</td> <td>•</td> <td>•</td> </tr> <tr> <td>3/4" NPT</td> <td>•</td> <td>•</td> <td>•</td> <td>•</td> </tr> <tr> <td>1" NPT</td> <td>•</td> <td>•</td> <td>•</td> <td>•</td> </tr> </tbody> </table>	For Use With	QDC 3.2	QDC 3SN	QDC 3XH	QDC 4	1/2" NPT	•	•	•	•	3/4" NPT	•	•	•	•	1" NPT	•	•	•	•
For Use With	QDC 3.2	QDC 3SN	QDC 3XH	QDC 4																																						
1/2" NPT	•	•	•	•																																						
3/4" NPT	•	•	•	•																																						
1" NPT	•	•	•	•																																						
For Use With	QDC 3.2	QDC 3SN	QDC 3XH	QDC 4																																						
1/2" NPT	•	•	•	•																																						
3/4" NPT	•	•	•	•																																						
1" NPT	•	•	•	•																																						



T&S BRASS AND BRONZE WORKS, INC.

2 Saddleback Cove / P.O. Box 1088
Travelers Rest, SC 29690

Model No.

B-0665-BSTP

Item No.

Travelers Rest, SC: 800-476-4103 • Simi Valley, CA: 800-423-0150 • Fax: 864-834-3518 • www.tsbrass.com



ADA Compliant

This Space for Architect/Engineer Approval

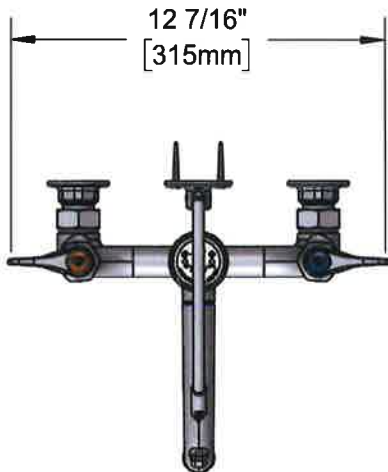
Job Name _____ Date _____

Model Specified _____ Quantity _____

Customer/Wholesaler _____

Contractor _____

Architect/Engineer _____



Support Rod w/
Wall Bracket &
Mounting Screws

Items Not Shown
for Clarity

B-0969
1/2" NPT Vacuum
Breaker

Quarter-Turn
Eterna Cartridges w/
Spring Check &
Lever Handles w/
Color Coded Indexes

Garden Hose
Male Outlet

Ø 2" [51mm]
Flanges w/
1/2" NPT
Female Inlets

Built-In Service
Stops

Mounting
Surface

14 5/16"
[364mm]

3 15/16"
[100mm]

8"
[203mm]
Adjustable From
7 3/4" to 8 1/4"
[197mm to 210mm]

2 11/16"
[68mm]

9 1/8"
[232mm]

Product Specifications:

8" Wall Mount Service Sink, Quarter-Turn Eterna Cartridges w/ Spring Checks, Lever Handles, Upper Support Rod, Built-In Stops, Garden Hose Male Outlet, Polished Chrome Finish, 1/2" NPT Vacuum Breaker & 1/2" NPT Female Inlets

Product Compliance:

ASME A112.18.1 / CSA B125.1
NSF 61 - Section 9
NSF 372 (Low Lead Content)
ANSI A117.1 (ADA)
ASSE 1001 (VB)



T&S BRASS AND BRONZE WORKS, INC.

2 Saddleback Cove / P.O. Box 1088
Travelers Rest, SC 29690

Model No.

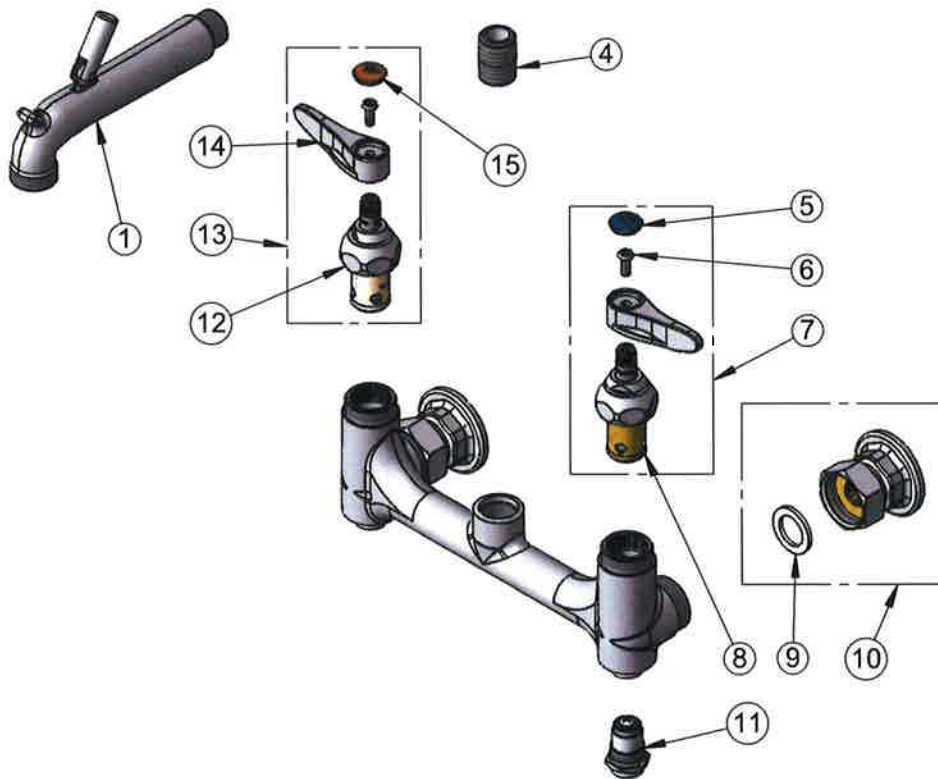
B-0665-BSTP

Item No.

Travelers Rest, SC: 800-476-4103 • Simi Valley, CA: 800-423-0150 • Fax: 864-834-3518 • www.tsbrass.com



ITEM NO.	SALES NO.	DESCRIPTION
1	009545-40	Spout w/ Male GH Outlet & Upper Clevis - Polished Chrome
2	009546-40	Upper Support Rod
3	B-0969	1/2" NPT Vacuum Breaker
4	002534-25	Close Nipple, 1/2" NPT
5	018506-19NS	Blue Button Index, Press-in
6	000925-45	Lab Handle Screw
7	002711-40NS	Quarter-Turn Eterna Cartridge w/ Spring Check, Handle, Blue Index & Screw, LTC
8	012442-40NS	Quarter-Turn Eterna Cartridge w/ Spring Check, LTC
9	001019-45	Coupling Nut Washer
10	00AA	1/2" NPT Female Eccentric Flange
11	163A	Built-in Service Stop
12	012443-40NS	Quarter-Turn Eterna Cartridge w/ Spring Check, RTC
13	002712-40NS	Quarter-Turn Eterna Cartridge w/ Spring Check, Handle, Red Index & Screw, RTC
14	001638-45NS	Lever Handle (New Style)
15	001193-19NS	Red Button Index, Press-in



Product Specifications:
8" Wall Mount Service Sink, Quarter-Turn Eterna Cartridges w/ Spring Checks, Lever Handles, Upper Support Rod, Built-In Stops, Garden Hose Male Outlet, Polished Chrome Finish, 1/2" NPT Vacuum Breaker & 1/2" NPT Female Inlets

Product Compliance:
ASME A112.18.1 / CSA B125.1
NSF 61 - Section 9
NSF 372 (Low Lead Content)
ANSI A117.1 (ADA)
ASSE 1001 (VB)

EWC-1



UNIVERSAL BARRIER-FREE VERSACOOLER® II WITH VERSAFILTER & HANDS FREE VERSAFILLER®

Energy and Water Conservation Technology

PGF8EBFSL, PGFEBFSL

Suggested Specification

Model PGF8EBFSL shall deliver 8.0 gph of 50° F degree water at 90° F ambient and 80° F inlet water. Model PEBFSL is a non-refrigerated drinking fountain and delivers ambient water. Shall include VersaFiller Sports Bottle Filler with hands free activation; units shall have four antimicrobial copper push pads to activate the manual flow of water for the cooler. VersaFiller components contain Freshield®, which utilizes a silver-based antimicrobial compound that reduces the growth of micro-organisms and mildew to protect the surfaces from discoloration, odors and degradation. Basin shall be designed to eliminate splashing and standing water. Shall have VersaFilter for taste, odor, lead and chlorine reduction. Water saver bubbler reduce waste water by 50% and shall have flexible guard and operate between 20 and 100 PSI. Cabinet finish shall be sandstone on galvanized steel or brushed stainless steel. Shall use R-134a refrigerant. Shall comply with ANSI 117.1 and ADA. Shall be listed by Underwriters Laboratories to US and Canadian standards. Shall comply with ANSI/NSF 61 and NSF/ANSI 372.

Models

- PGF8EBFSL delivers 8.0 gallons of chilled drinking water per hour.
- PGFEBFSL is a non-refrigerated fountain.

Standard Features

- VersaFilter for taste, odor, lead and chlorine reduction
- Built-in 100 micron strainer stops particles before they enter the waterway.
- Waterways are Lead-Free in materials & construction
- Flexible one-piece water saver bubbler
- Stainless steel top and heavy duty galvanized steel frame
- High efficiency cooling system and refrigerant R-134a
- Four antimicrobial copper push pads
- External stream height adjustment on lower unit
- Hand free VersaFiller
- Built in filter monitor and bottle counter

Finishes

- Standard cabinet finish: Sandstone powder coated paint on galvanized steel
- Optional finishes (at additional cost): Stainless steel and optional greystone powder coated paint

Installation

- Prior to roughing consult with local, state and federal codes for proper mounting height
- Shipped with complete instructions and wall mounting bracket
- Removable side and front panels provide easy access for installation.

Options (at additional cost)

- One piece chrome plated brass bubbler (036700-001)
- Flow switch for fountain (038035-001)
- Filter replacement cartridge (033879-001)

Limited 5-Year Warranty

(Continental limits of the United States and Canada) Five years on the sealed refrigeration system and most component parts. Detailed warranty certificate enclosed with each water cooler; sample available upon request.

Export Warranty

One year on components parts. Detailed warranty certificate enclosed with each drinking fountain; sample copy available upon request.

Certifications/Compliance

- Antimicrobial Copper - EPA Registration No. 89187-3
- Oasis International Electric Water Coolers are listed by Underwriters Laboratories Inc. and comply with both U.S. and Canadian Requirements.
- Product Certified to NSF/ANSI Standard 61-G & 372 and conforms with the lead content requirements for "Lead Free" plumbing as defined by California, Vermont, Maryland, and Louisiana state laws and the U.S. Safe Drinking Water Act.
- This unit complies with ARI standard 1010 Testing, Operating and Rating requirements (electric water coolers only).
- These water coolers comply with the requirements of ADA (Americans with Disabilities Act) when properly installed.

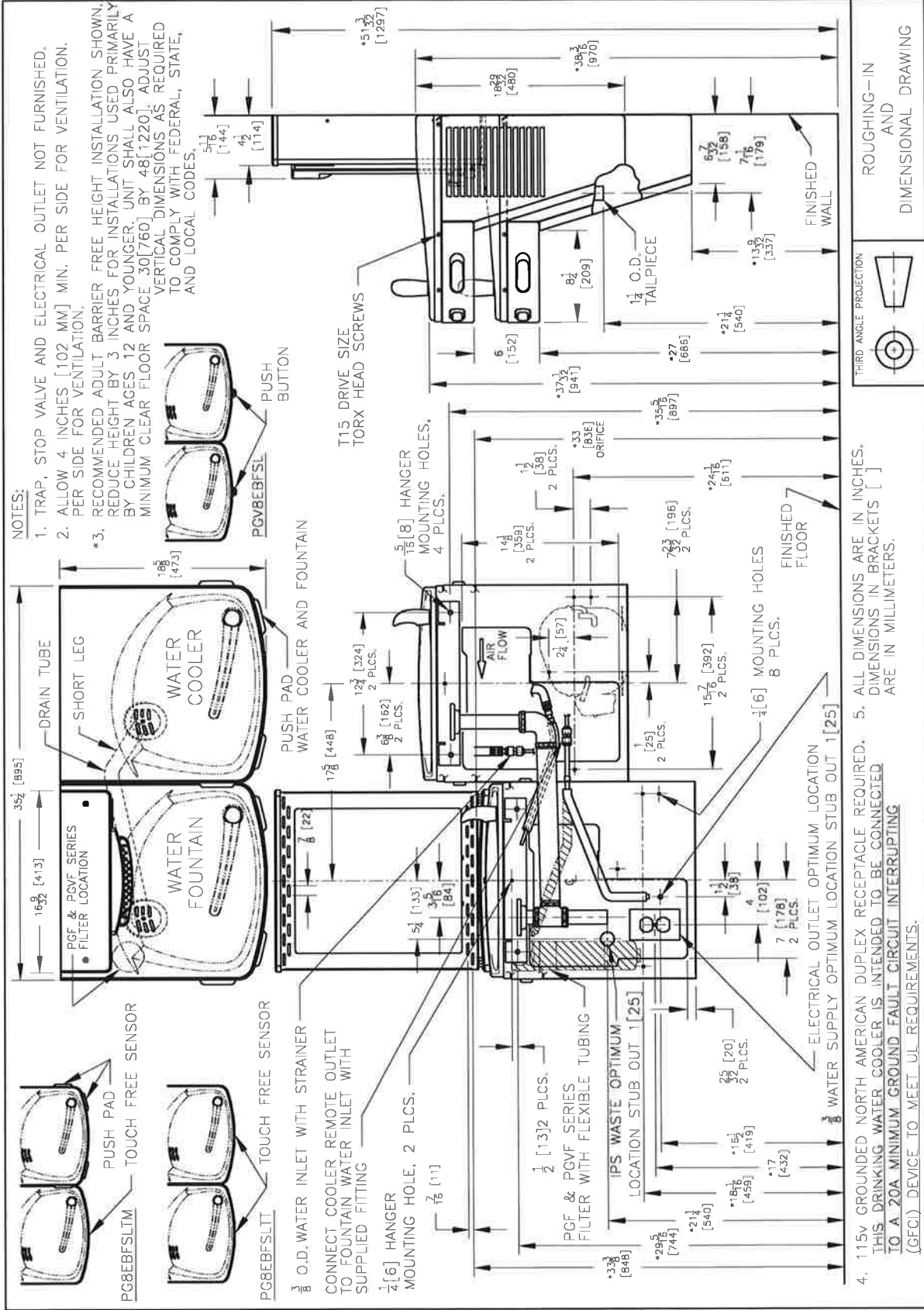


Model	50° F Drinking Water 90° F Ambient Air Temp*			Hot/N Cold Model	115 Volts, 60 HZ			Glass Filler Acc. Option	Cabinet Color Finish	Net Wt. Approx
	Rated Capacity GHP	Base Rate GHP	Pre-Cooler		Compr. HP	Full Load Amps	Rated Watts			
PGF8EBFSL	8.0	8.0	No	No	1/4	4.4	450	No	Yes	100 Lbs
PGFEBFSL	Fountain Only							No	Yes	66 Lbs

* Industry Standard Rating Condition 80° F inlet water temperature

Specifications subject to change without notice

OASIS® VERSACOOLER® II



Rev. 01/2015
 Oasis International | 222 East View Campus View Blvd. | Columbus, OH 43235
 For customer service and technical assistance call: 800.950.3226



www.oasiscoolers.com

Oasis is a registered trademark of LYVD Acquisition, LLC dba Oasis International
 © 2015 LYVD Acquisition



McGuire Manufacturing Co., Inc.

60 Grandview Court
 P.O. Box 746 • Cheshire, CT 06410
 203-699-1801 • Fax: 203-699-1813
 www.mcguiremfg.com

PRODUCT SPECIFICATION

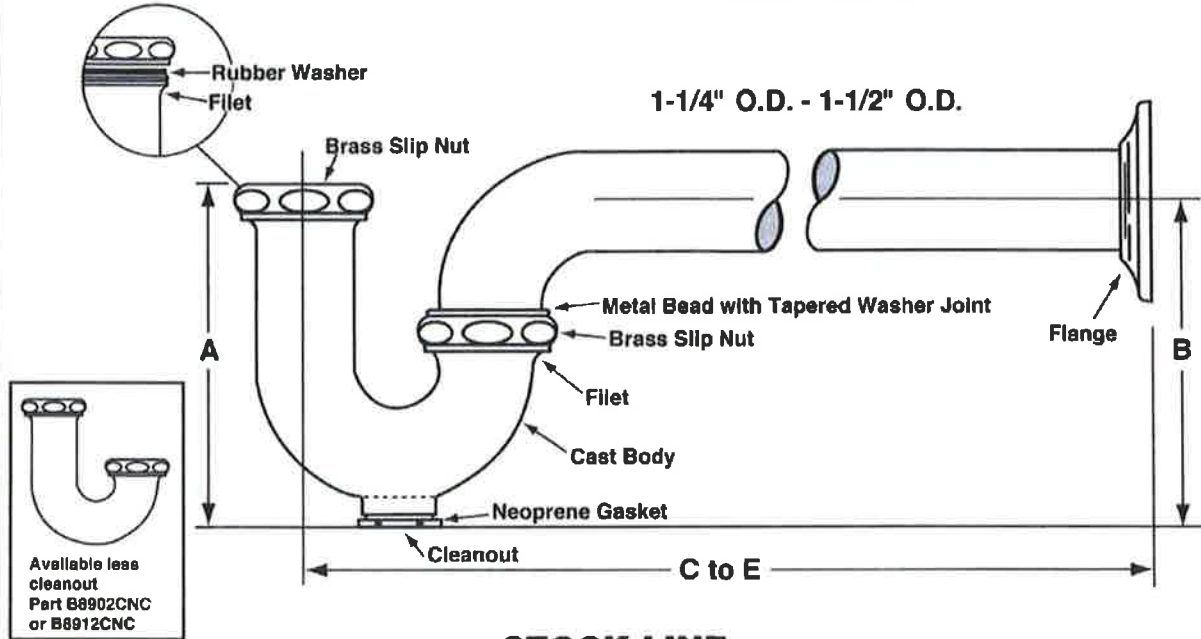
Part No.

**B8872, B8902, B8902CNC,
 B8912, B8912CNC,
 C8872, C8902, C8912**

**Cast Body P-Trap
 With or Without Cleanout**

Job Name: _____

Submittal Number: _____



STOCK LINE

ROUGHING MEASUREMENTS						
NO.	TRAP DIMENSIONS		A	B	C to E	
	INLET	OUTLET				
B8872	1-1/4"	1-1/4"	5"	4-1/2"	10"	
C8872	1-1/4"	1-1/4"	5"	4-1/2"	10"	
B8902	1-1/4"	1-1/2"	5"	4-1/2"	10-1/2"	
B8902CNC	1-1/4"	1-1/2"	4-5/8"	4-1/8"	10-1/2"	
C8902	1-1/4"	1-1/2"	5"	4-1/2"	10-1/2"	
B8912	1-1/2"	1-1/2"	5"	4-1/2"	10-1/2"	
B8912CNC	1-1/2"	1-1/2"	4-5/8"	4-1/8"	10-1/2"	
C8912	1-1/2"	1-1/2"	5"	4-1/2"	10-1/2"	

Note: Prefix "C" indicates die cast slip nuts.

**FED SPEC W.W.P. 541
 CAST BRASS P TRAP
 MINIMUM SEAL 2"**

See options and accessories section for details on product variations.

Specifications:

P-Trap shall be chrome plated cast brass body (with, without) cleanout, with 17 gauge seamless tubular wall bend, slip nuts. Reducing washers shall be used with reducing cast brass nut. With (shallow, deep, bell) (steel, brass) or (forged brass with set screw) flange. P-Trap shall bear manufacturer and testing mark.



McGuire Manufacturing Co., Inc.

60 Grandview Court
P.O. Box 746 • Cheshire, CT 06410
203-699-1801 • Fax: 203-699-1813
www.mcguiremfg.com

PRODUCT SPECIFICATION

Part No.

**Options for
P-Traps**

Job Name:

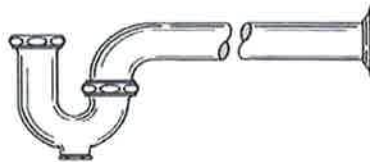
Submittal Number:

CAST BODY P-TRAP OPTIONS

WALL BEND OPTIONS-

Add suffix to part number.

- 15** - 15" C to E (1-1/4" and 1-1/2" only)
- 18** - 18" C to E (1-1/4" and 1-1/2" only)
- GJ** - Ground joint wallbend
Custom sizes available.



FLANGE OPTIONS-

Add suffix to part number.

- F** - Forged Brass, set screw, chrome plated
- ~~**DF** - Deep Flange, (bell type) chrome plated brass~~
- SDF** - Deep Flange, (bell type) chrome plated steel
- B** - Box Flange, chrome plated wrought steel
- BF** - Box Flange, chrome plated brass

STANDARD FINISH OPTIONS-

Add suffix to part number.

- C** - Polished Chrome
- ~~**S** - Satin Chrome~~
- Custom finishes available.

Options available for McGuire "Classic" Professional Line only.



McGuire Manufacturing Co., Inc.
 60 Grandview Court
 P.O. Box 746 • Cheshire, CT 06410
 203-699-1801 • Fax: 203-699-1813
 www.mcguiremfg.com

PRODUCT SPECIFICATION

Part No.

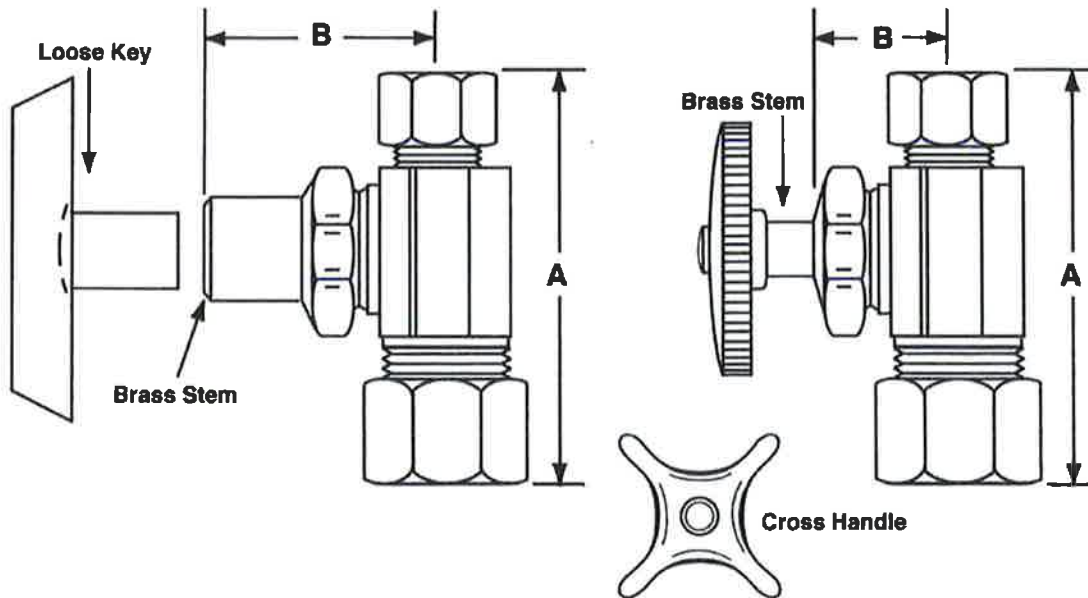
LFST17, **LFST17LK**, LFST17X,
 LFST18, LFST18LK, LFST18X

**Straight Supply Stop
 Nominal x O.D.**

Job Name: _____

Submittal Number: _____

Compression to Compression



NO.	DESCRIPTION	ROUGHING MEASUREMENTS	
		A	B
LFST17	1/2" Nominal x 3/8" O.D.	2-1/4"	7/8"
LFST17LK	1/2" Nominal x 3/8" O.D.	2-1/4"	1-5/8"
LFST17X	1/2" Nominal x 3/8" O.D.	2-1/4"	7/8"
LFST18	1/2" Nominal x 1/2" O.D.	2-1/4"	7/8"
LFST18LK	1/2" Nominal x 1/2" O.D.	2-1/4"	1-3/4"
LFST18X	1/2" Nominal x 1/2" O.D.	2-1/4"	7/8"

LK designates *Loose Key*

X designates *Heavy Brass Cross Handle*

See options and accessories section for details on product variations.

ASME A112.18.1-2011/CSA B125.1-11



Specifications:

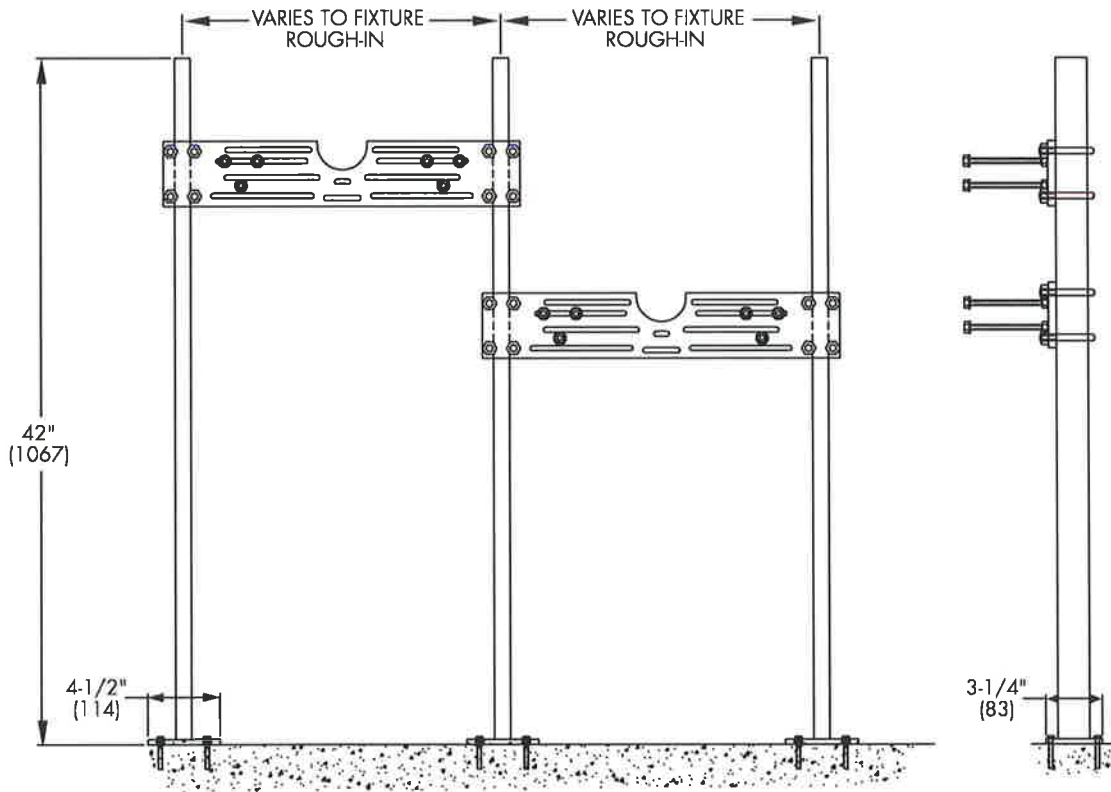
Chrome plated brass, supply stop valve with full turn brass stem. Inlet shall be (3/8, 1/2) inch (IPS, sweat, compression). Outlet shall be (3/8, 1/2) inch (IPS, compression). Supply stop valve shall be McGuire _____. Supply stop valve shall be certified by recognized testing authority and bear manufacturer and testing mark.



CA-431-1
Tag: EWC-1

**Floor Mounted Plate Type
Lavatory/Water Cooler Carrier**

SPECIFICATION: Watts Drainage CA-431-1 floor mounted bi-level water cooler carrier with heavy gauge steel uprights with integral welded feet, universal steel hanger support plate, and plated hardware.



Note: Anchor legs to concrete floor with minimum 1/2" (13) anchor bolts (by others).

Job Name Ritz Theater Contractor Comfort Systems USA
 Job Location Malvern Contractor's P.O. No. _____
 Engineer Pettit and Pettit Representative Sanders Supply

WATTS Drainage reserves the right to modify or change product design or construction without prior notice and without incurring any obligation to make similar changes and modifications to products previously or subsequently sold. See your WATTS Drainage representative for any clarification. Dimensions are subject to manufacturing tolerances.



Specification Drainage Products

USA: 100 Watts Road, Spindale, NC, 28160-2298; TEL: 828-288-2179 TOLL-FREE: 1-800-338-2581 www.watts.com