

Quality People. Building Solutions.

Comfort Systems USA (Arkansas), Inc.
P.O. Box 16620
Little Rock, AR 72231
Phone 501-834-3320
Fax 501-834-5416

Date: 12/1/2022
Return Request: 12/11/2022
Project: New Dormitories – Bldg. 6
Supplier: Little Rock Winnelson
Manufacturer: Various
Submittal: Security Plumbing Fixtures
Submittal Number: 22 46 00-01
Drawing # and Installation: Plumbing Drawings

ARCHITECT

Stocks Mann Architects
401 W. Capitol, Suite 402
Little Rock, AR 72201
501-370-9207

ENGINEER

Bernhard TME
1 Allied Drive #2600, Building 2
Little Rock, AR 72202
501-666-6776

GENERAL CONTRACTOR

Alessi Keyes Construction
10623 Maumelle Blvd.
N. Little Rock, AR 72113
501-225-6699

MECHANICAL SUBCONTRACTOR

Comfort Systems USA (Arkansas), Inc.
9924 Landers Rd.
N. Little Rock, AR 72117
501-834-3320

Notes:

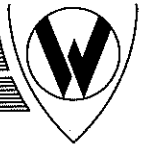
CSUSA PROJECT NO.

22-102

jon@comfortar.com

ALESSI KEYES CONSTRUCTION
REVIEWED FOR GENERAL COMPLIANCE
WITH CONTRACT DOCUMENTS
Charley Dawson 1/19/2023

SH-1 SHOWER

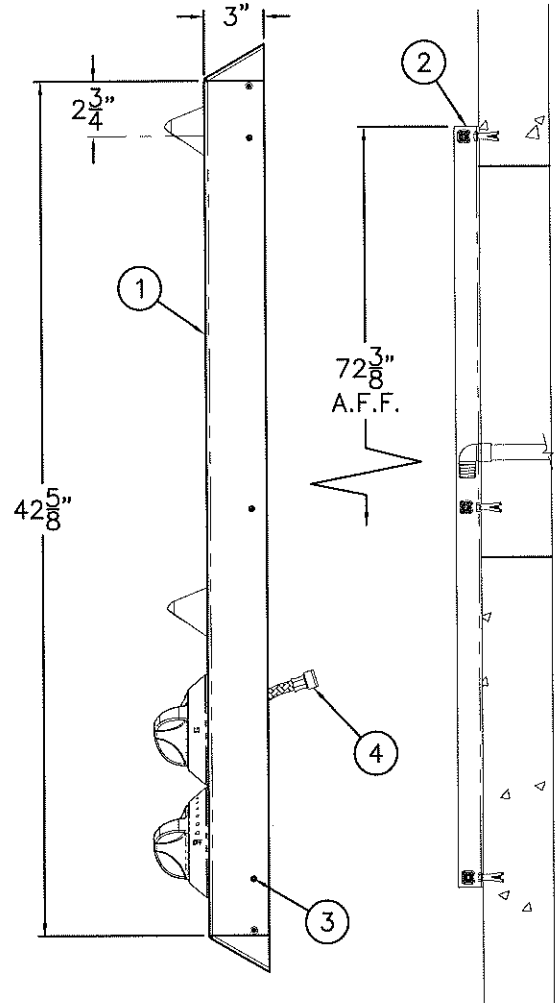
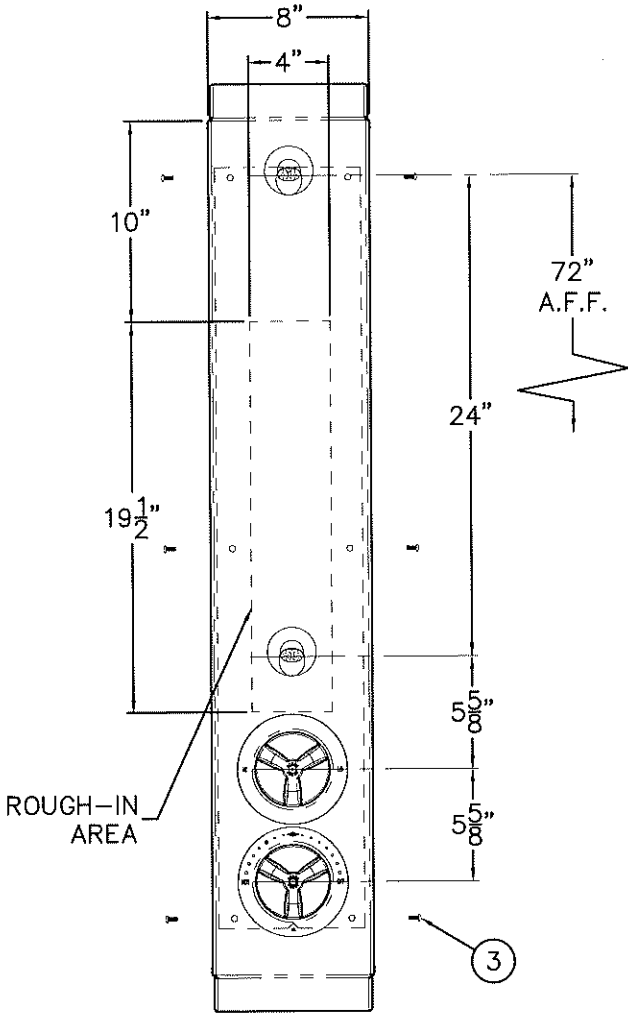


REFERENCE DRAWINGS

TEMPERATURE ADJUSTMENT	9900-007-W01
------------------------	--------------

NOTE:

MAXIMUM RECOMMENDED WORKING PRESSURE IS 125 PSI.
 MAXIMUM INLET WATER TEMPERATURE IS 180° F.
 OUTLET IS TEMPERATURE FACTORY SET AT A 110° F.



WARNING:

PRIOR TO COMPLETING INSTALLATION SUPPLY LINES MUST BE FLUSHED OF ALL FOREIGN MATERIAL SUCH AS PIPE DOPE, CHIPS, SOLDER, ETC. VALVE MUST BE DRAINED PRIOR TO BEING SUBJECTED TO FREEZING TEMPERATURES.

INSTALLATION INSTRUCTIONS:

- A- DISASSEMBLE SHOWER HOUSING ASSEMBLY ① FROM WALL MOUNTING FRAME ② BY REMOVING VANDAL RESISTANT SCREWS ③ FROM THE HOUSING.
- B- INSTALL MOUNTING FRAME ② AT DESIRED HEIGHT AND ANCHOR FRAME TO WALL USING HARDWARE BY OTHERS.
- C- PROVIDE SUPPLY ROUGH-INS IN THE AREA INDICATED. THOROUGHLY FLUSH SUPPLY LINES.

- D- MAKE UP SUPPLY CONNECTIONS TO 1/2" NPS HOSE END INLETS ④ WHILE SUPPORTING HOUSING OFF THE FLOOR. NOTE: SUPPLY INLET CONNECTION WILL ACCOMMODATE A 1/2" NPT MALE ADAPTER.
- E- ASSEMBLE THE SHOWER HOUSING ① TO THE MOUNTING FRAME ② USING SCREWS PROVIDED.



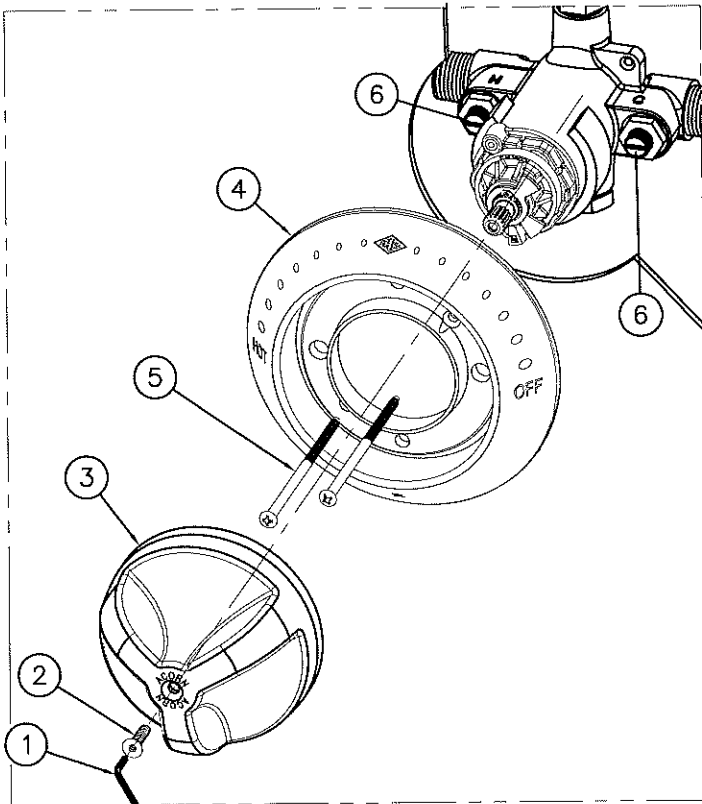
WHITEHALL MANUFACTURING
 P.O. BOX 3527 Industry, CA 91744
 15125 Proctor Ave Industry, CA 91746
 (626) 968-6681 FAX (626) 855-4862

TITLE **LIGATURE RESISTANT SURFACE MOUNTED SHOWER *WH458-FH-CSH**

MANUFACTURE DATE
AUGUST 2014
TO PRESENT

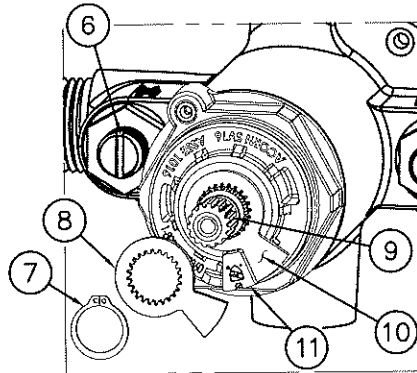
DATE ISSUED
08/22/14
 DATE REVISED

DRAWING NUMBER
9918-038-001

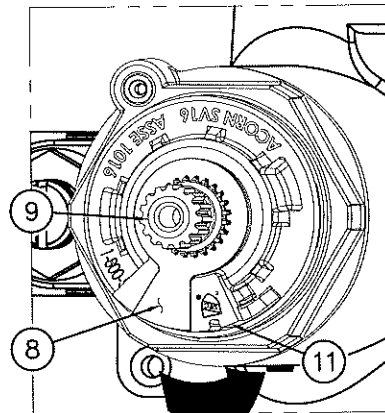


DETAIL A

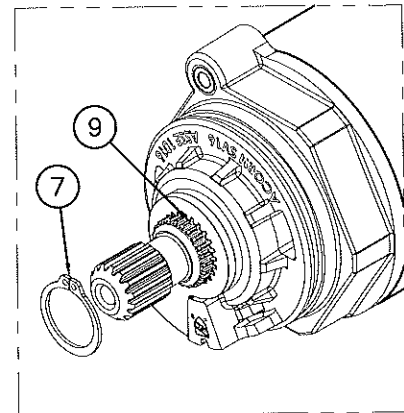
REFERENCE DRAWINGS	
ASSEMBLIES	NUMBER
T/P VALVE	9975-005-W02



DETAIL B



DETAIL C



DETAIL D

INSTRUCTIONS:

SEE DETAIL A

A-REMOVE TRI-LEVER HANDLE TRIM: SEE DETAIL A

- a- USING CENTER REJECT ALLEN WRENCH ① REMOVE HANDLE SCREW ② AND HANDLE ③.
- b- REMOVE ESCUTCHEON ④ BY REMOVING SCREWS ⑤.

TEMPERATURE ADJUSTMENT:

- B-ENSURE MAIN WATER SUPPLY IS ON.
- C-ENSURE CHECK STOPS ⑥ ARE OPEN.
- D-ENSURE VALVE IS IN THE OFF POSTION.
- E-USING SNAP RING PLIERS REMOVE RETAINING RING ⑦ AND THE FIRST TEMPERATURE LIMIT WASHER ⑧ ONLY FROM VALVE STEM ⑨. SEE DETAIL B.

NOTE: IF SECOND TEMPERATURE LIMIT WASHER ⑩ COMES OFF, RESETTING OF THE OFF STOP MAY BE REQUIRED, KEY AS CLOSE AS POSSIBLE ON THE COUNTER-CLOCKWISE SIDE OF BONNET STOP ⑪. USING HANDLE ③ SLIGHTLY OPEN AND CLOSE VALVE TO ENSURE WATER WILL SHUT OFF. DETAIL B.

TEMPERATURE ADJUSTMENT, CONTINUED:

- F- USING HANDLE ③ TURN VALVE STEM ⑨ COUNTER-CLOCKWISE TO INCREASE HOT, CHECKING OUTLET TEMPERATURE UNTIL DESIRED TEMPERATURE IS REACHED, (RECOMMENDED 105° TO 110°). SLIDE FIRST TEMPERATURE LIMIT WASHER ⑧ OVER VALVE STEM ⑨ AND ENSURE SIDE OF WASHER RESTS AS CLOSE AS POSSIBLE TO CLOCKWISE SIDE OF BONNET LIMIT STOP ⑪. DETAIL C.
- G- WITH VALVE IN THE "ON" POSTION AND WATER RUNNING, USING SNAP RING PLIERS INSTALL RETAINING RING ⑦. ENSURE RETAINING RING ⑦ IS INSERTED PROPERLY INTO GROOVE ON VALVE STEM ⑨. DETAIL D.
- H- REINSTALL TRIM IN REVERSE ORDER.



WHITEHALL MANUFACTURING
P.O. BOX 3527 Industry, CA 91744
15125 Proctor Ave Industry, CA 91746
(626) 968-6881 FAX (626) 855-4862

TITLE **T/P TEMP/PRESS BALANCING MIXING VALVE - TEMPERATURE ADJUSTMENT**

MANUFACTURE DATE
AUGUST 2014
PRESENT

DATE ISSUED
08/20/14
DATE REVISED
09/01/16 A

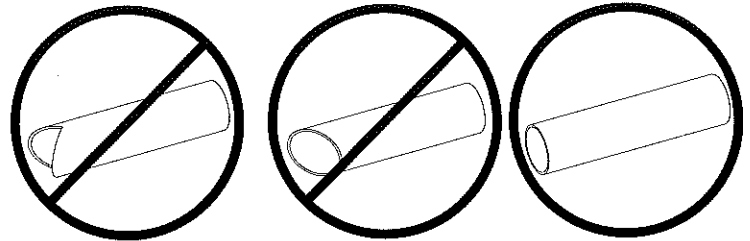
DRAWING NUMBER
9900-007-W01



PUSH-IN FITTING INSTALLATION:

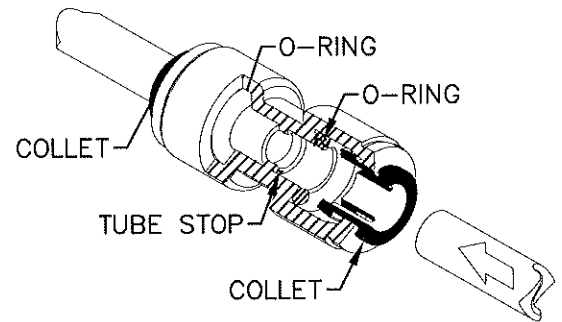
NOTE: FITTING AND TUBE SHOULD BE KEPT CLEAN, BAGGED AND UNDAMAGED PRIOR TO INSTALLATION.

Cut to fit length of 1/4" PE tubing and any burrs or sharp edges. Ensure that the outside diameter is free from score marks. Tube ends should be square.

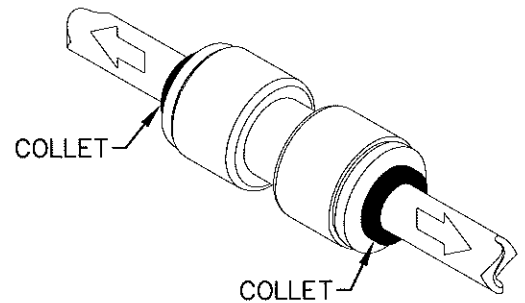


INSERTING THE TUBE:

1. Firmly and fully insert the tubing end into the push-in fitting up to the tube stop located approximately 1/2" deep.

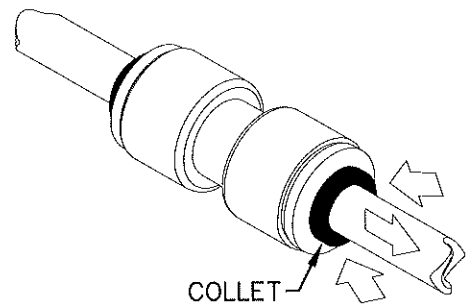


2. Pull on the fitted tubing to ensure it is secure. Tube should not come free from the fitting. Water test the connection assembly prior to leaving the site to ensure there are no leaks.



DISCONNECTING THE TUBE:

To disconnect the tube from the fitting ensure that the water is depressurized. Push collet square towards the push-in fitting body and hold. While holding the collet in, pull on the PE tubing to remove from the push-in fitting.



WHITEHALL MANUFACTURING
P.O. BOX 3527 Industry, CA 91744
15125 Proctor Ave Industry, CA 91746
(826) 968-6681 FAX (826) 855-4882

TITLE **PUSH-IN FITTING INSTALLATION**

MANUFACTURE DATE
OCTOBER 2013
TO PRESENT

DATE ISSUED
10/15/13
DATE REVISED

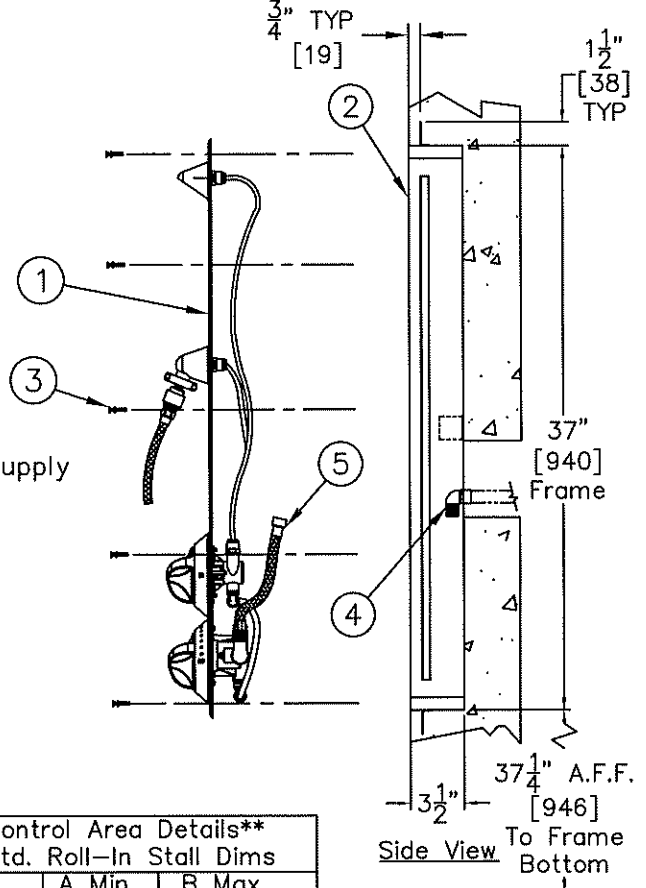
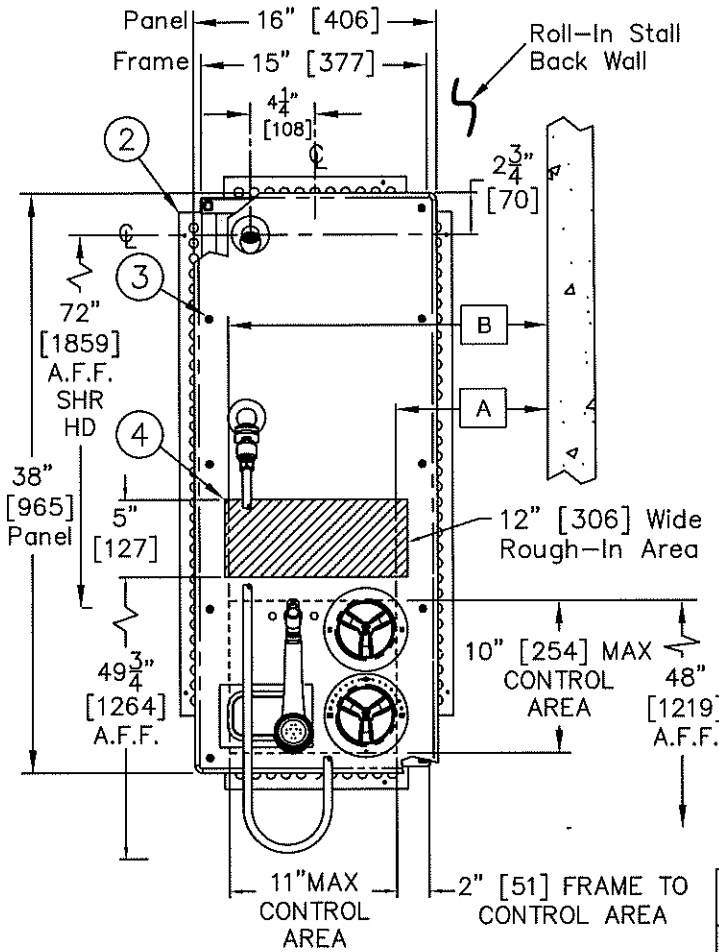
DRAWING NUMBER
9905-005-001

SH-2 SHOWER



REFERENCE DRAWINGS			
SHOWER HEAD	9970-140-001	T/P VALVE(SHOWN)	9975-005-002
HAND SHOWER	9918-043-001	T/P VALVE ADJUST	9900-007-001
DIVERTER	9975-080-002		

REFER TO ACCESSIBILITY GUIDELINES FOR COMPLETE INSTALLATION REQUIREMENTS. THIS FIXTURE COMPLIES WITH CBC REQUIREMENTS AND ADA ACCESSIBILITY GUIDELINES WHEN INSTALLED CORRECTLY. *ADA/CBC DIM SHOWN IS ROLL-IN STALL WITH SEAT.



Front View Roll-In Type Compartment Shown
Model # WH418ADA-WHCHS-R Shown

RIGHT HAND VALVE ORIENTATION SHOWN
LEFT HAND VALVE ORIENTATION OPPOSITE

Control Area Details**			
Std. Roll-In Stall Dims			
	A Min.	B Max.	
ADA	0"	*27"	686
CBC	16"[406]	27"	[686]

**ADA dim shown is Roll-In Stall with Seat.
Refer to Guidelines for complete details.

INSTALLATION INSTRUCTIONS:

- A- DISASSEMBLE SHOWER PANEL ASSEMBLY ① FROM WALL MOUNTING FRAME ② BY REMOVING VANDAL RESISTANT SCREWS ③ FROM THE PANEL.
- B- PREPARE WALL AND OPENING FOR MOUNTING FRAME NOTE PLASTER FLANGES PROVIDED ON ALL 4 SIDES. PROVIDE SUPPLY ROUGH-INS ④ WHERE INDICATED.
- C- INSTALL MOUNTING FRAME ②. FRAME BOTTOM MUST BE AT 37-1/4" ABOVE FINISHED FLOOR WITH THE FACE FLUSH WITH THE FINISHED WALL. ENSURE POSITION CONFORMS W/ACCESSIBILITY REQUIREMENTS.

- D- THOROUGHLY FLUSH WATER SUPPLY INLETS. MAKE UP SUPPLY CONNECTIONS TO 1/2" NPS ⑤ END INLETS WHILE SUPPORTING PANEL OFF THE FLOOR. NOTE: SUPPLY INLET CONNECTION WILL ACCOMMODATE A 1/2" NPT MALE ADAPTER.
- E- ASSEMBLE THE SHOWER PANEL ① TO THE MOUNTING FRAME ② USING SCREWS PROVIDED.

NOTE:
MAXIMUM RECOMMENDED WORKING PRESSURE IS 100 PSI, 130' F INLET TEMPERATURE & 105' F MAXIMUM OUTLET TEMPERATURE.

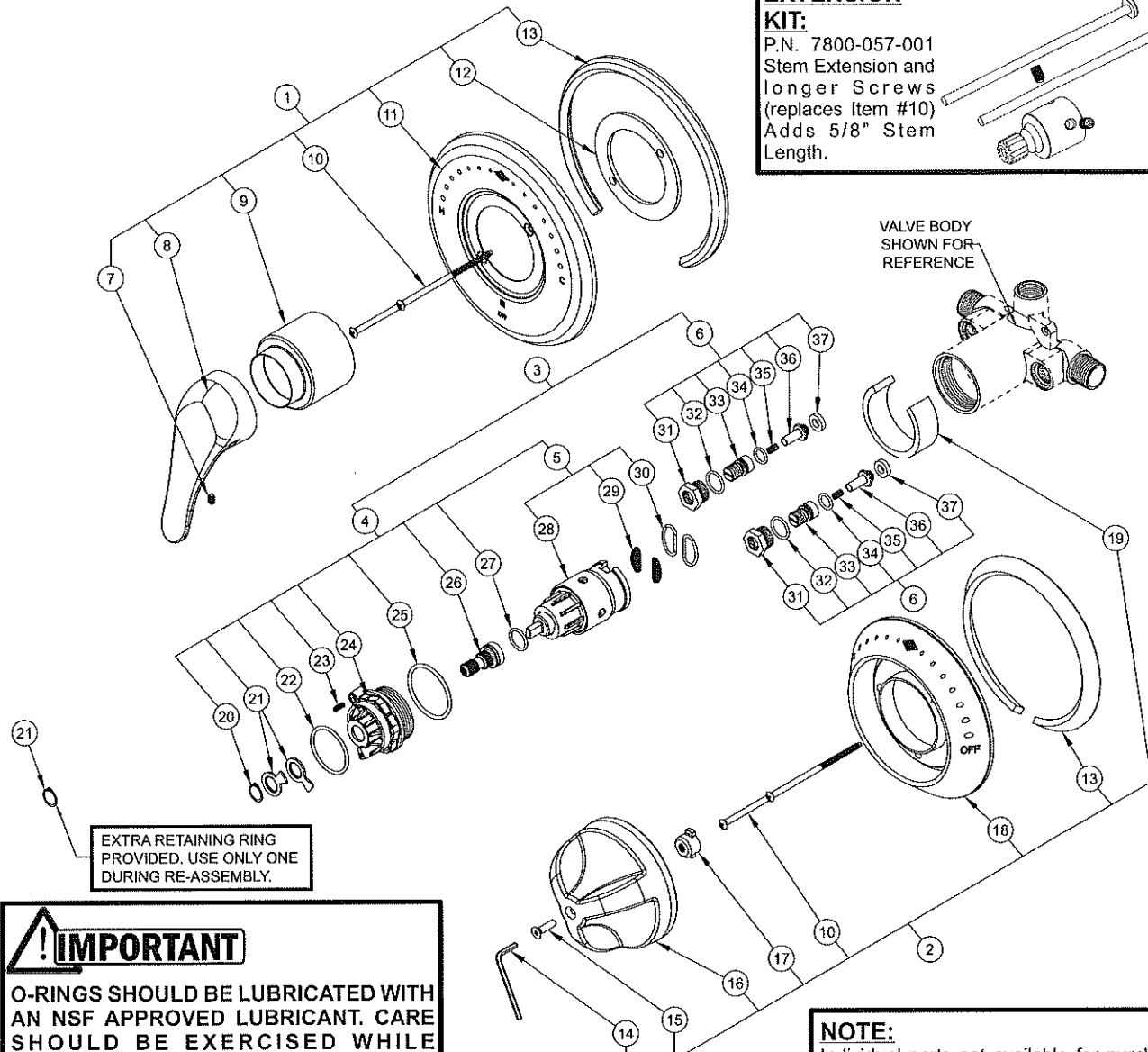
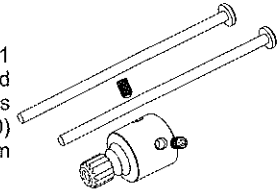
WARNING:
PRIOR TO COMPLETING INSTALLATION SUPPLY LINES MUST BE FLUSHED OF ALL FOREIGN MATERIAL SUCH AS PIPE DOPE, CHIPS SOLDER ETC. VALVE MUST BE DRAINED PRIOR TO BEING SUBJECTED TO FREEZING TEMPERATURES.

<p>WHITEHALL MANUFACTURING P.O. BOX 3527 Industry, CA 91744 15125 Proctor Ave Industry, CA 91748 (626) 968-6681 FAX (626) 855-4862</p>	<p>TITLE LIGATURE RESISTANT WALL SHOWER, WH418ADA-WHCHS SERIES</p>		
	<p>MANUFACTURE DATE</p> <p>MARCH 2022</p> <p>TO PRESENT</p>	<p>DATE ISSUED</p> <p>03/01/23</p>	<p>DRAWING NUMBER</p> <p>9918-045-001</p>
		<p>DATE REVISED</p>	

REPAIR PARTS:

STEM EXTENSION KIT:

P.N. 7800-057-001
Stem Extension and longer Screws (replaces Item #10)
Adds 5/8" Stem Length.



EXTRA RETAINING RING PROVIDED. USE ONLY ONE DURING RE-ASSEMBLY.

!IMPORTANT
O-RINGS SHOULD BE LUBRICATED WITH AN NSF APPROVED LUBRICANT. CARE SHOULD BE EXERCISED WHILE INSERTING COMPONENTS INTO VALVE BODY DURING RE-ASSEMBLY.

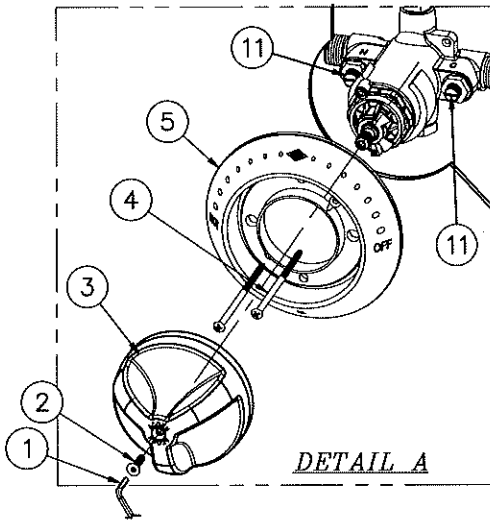
NOTE:
Individual parts not available for purchase, sold in Repair Kits only. Parts called out for reference only.

ITEM	KIT NUMBER	DESCRIPTION	ITEM	KIT NUMBER	DESCRIPTION
1	7800-503-001	TRIM REPLACEMENT, LEVER HANDLE	4	7800-502-001	CARTRIDGE & BONNET REPLACEMENT
2	7800-186-001	TRIM REPLACEMENT, LIGATURE RESISTANT	5	7800-175-001	CARTRIDGE REPLACEMENT
3	7800-500-001	COMPLETE REBUILD KIT	6	7800-504-001	CHECK-STOP REBUILD KIT

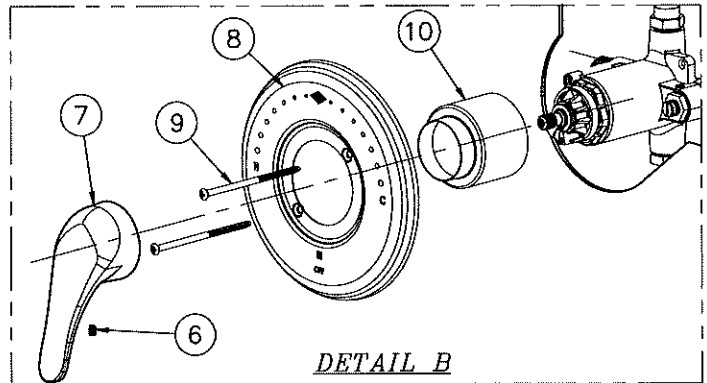
ITEM	DESCRIPTION	ITEM	DESCRIPTION	ITEM	DESCRIPTION
7	CUP POINT SET SCREW	18	LIGATURE RESISTANT ESCUTCHEON	29	STAINLESS STEEL SCREENS (x2)
8	LEVER HANDLE	19	SLEEVE GASKET (SV16 ONLY)	30	CARTRIDGE SCREEN O-RINGS (x2)
9	VALVE SLEEVE	20	RETAINING RING (x2)	31	CHECK CAP (x2)
10	OVAL HEAD SCREWS (x2)	21	TEMPERATURE STOP RINGS (x2)	32	CHECK CAP O-RING (x2)
11	ESCUTCHEON, LEVER HANDLE	22	EXTERNAL BONNET O-RING	33	CHECK ADJUST SCREW (x2)
12	TRIM PLATE CENTER GASKET	23	SET SCREW	34	CHECK ADJUST SCREW O-RING (x2)
13	ESCUTCHEON GASKET	24	VALVE BONNET	35	CHECK SPRING (x2)
14	5/32" CENTER REJECT ALLEN WRENCH	25	BONNET O-RING	36	CHECK PLUNGER (x2)
15	LIGATURE RESISTANT HANDLE SCREW	26	VALVE STEM	37	CHECK SEAL (x2)
16	LIGATURE RESISTANT HANDLE	27	VALVE STEM O-RING		
17	STEM INSERT	28	CARTRIDGE		



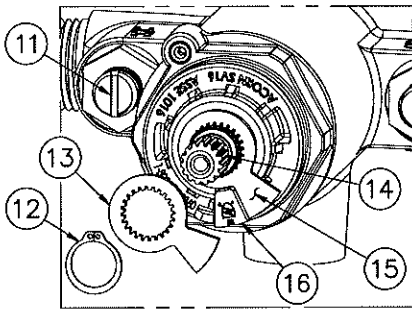
REFERENCE DRAWINGS	
ASSEMBLIES	NUMBER
T/P VALVE	9975-005-002



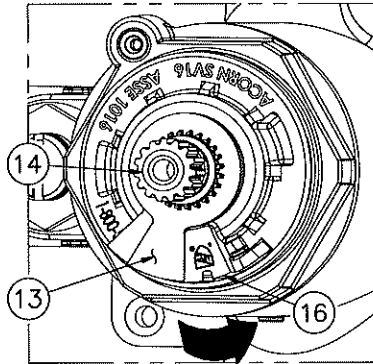
DETAIL A



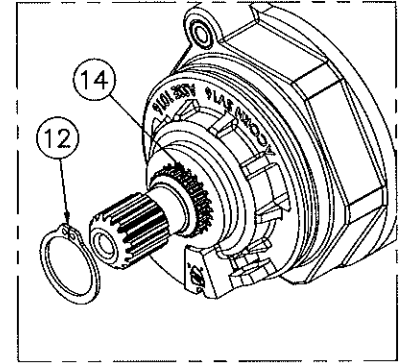
DETAIL B



DETAIL C



DETAIL D



DETAIL E

INSTRUCTIONS:

A—REMOVE TRI-LEVER HANDLE TRIM: SEE DETAIL A

a—USING CENTER REJECT ALLEN WRENCH ① REMOVE HANDLE SCREW ② AND REMOVE HANDLE ③.

b—REMOVE ESCUTCHEON ④ BY REMOVING SCREWS ⑤.

FOR OPTIONAL -LVR LEVER HANDLE TRIM: SEE DETAIL B

a—REMOVE SET SCREW ⑥ AND HANDLE ⑦.

b—REMOVE ESCUTCHEON ⑧ BY REMOVING SCREWS ⑨.

c—PULL OFF VALVE SLEEVE ⑩.

TEMPERATURE ADJUSTMENT:

B—ENSURE MAIN WATER SUPPLY IS ON.

C—ENSURE CHECK STOPS ⑪ ARE OPEN.

D—ENSURE VALVE IS IN THE OFF POSITION.

E—USING SNAP RING PLIERS REMOVE RETAINING RING ⑫ AND THE FIRST TEMPERATURE LIMIT WASHER ⑬ ONLY FROM VALVE STEM ⑭. SEE DETAIL C.

NOTE: IF SECOND TEMPERATURE LIMIT WASHER ⑮ COMES OFF, RESETTING OF THE OFF STOP MAY BE REQUIRED, KEY AS CLOSE AS POSSIBLE ON THE COUNTER-CLOCKWISE SIDE OF BONNET STOP ⑯. USING HANDLE ③ OR ⑦ SLIGHTLY OPEN AND CLOSE VALVE TO ENSURE WATER WILL SHUT OFF. DETAIL C.

TEMPERATURE ADJUSTMENT; CONTINUED:

F—USING HANDLE ③ OR ⑦ TURN VALVE STEM ⑭ COUNTER-CLOCKWISE TO INCREASE HOT, CHECKING OUTLET TEMPERATURE UNTIL DESIRED TEMPERATURE IS REACHED (RECOMMENDED 105° TO 110°). SLIDE FIRST TEMPERATURE LIMIT WASHER ⑨ OVER VALVE STEM ⑬ AND ENSURE SIDE OF WASHER RESTS AS CLOSE AS POSSIBLE TO CLOCKWISE SIDE OF BONNET LIMIT STOP ⑯. DETAIL D.

G—WITH VALVE IN THE "ON" POSITION AND WATER RUNNING, USING SNAP RING PLIERS INSTALL RETAINING RING ⑫. ENSURE RETAINING RING ⑫ IS INSERTED PROPERLY INTO GROOVE ON VALVE STEM ⑭. DETAIL E.

H—REINSTALL TRIM IN REVERSE ORDER.



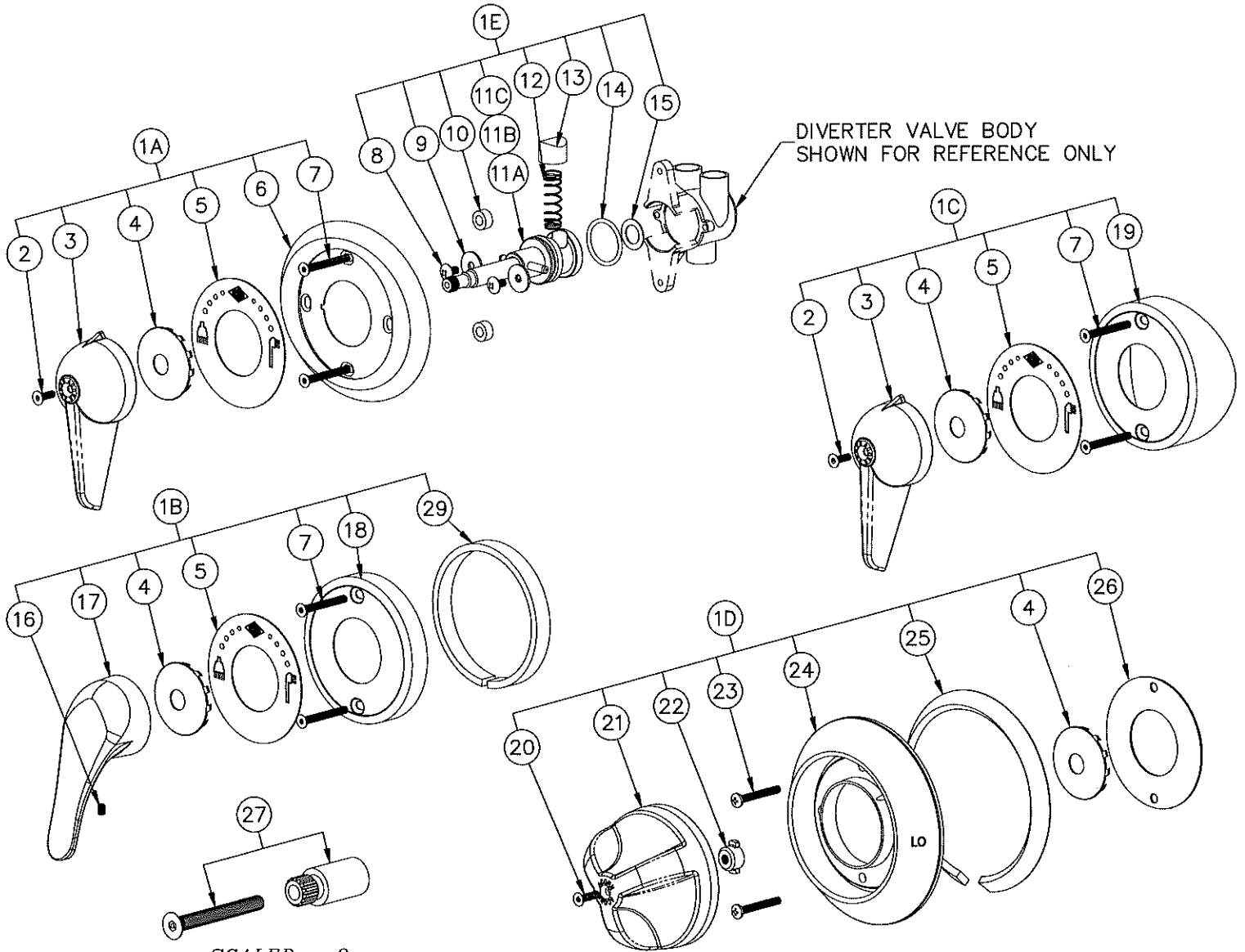
ACORN ENGINEERING COMPANY
P.O. BOX 3527 Industry, CA 91744
15125 Proctor Ave Industry, CA 91746
(626) 336-4561 FAX (626) 961-2200

TITLE **-8 T/P TEMP/PRESS BALANCING MIXING VALVE - TEMPERATURE ADJUSTMENT**

MANUFACTURE DATE
APRIL 2014
PRESENT

DATE ISSUED
05/01/14
DATE REVISED
09/01/16 B

DRAWING NUMBER
9900-007-001



SCALED x 2

1A	2919-020-001	DIVERTER TRIM KIT- TYPE 5 & 6 VALVES	12	1380-004-000	SPRING
1B	2919-065-001	DIVERTER TRIM KIT- TYPE 8 T/P STYLE	13	2919-004-000	PLUNGER
1C	2919-025-001	DIVERTER TRIM KIT- CAPITAL	14	0401-121-000	O-RING
1D	2919-070-001	DIVERTER TRIM KIT- -LRH LIG RESIS -8	15	0334-008-000	PHENOLIC FRICTION WASHER
1E	2919-000-001	DIVERTER VALVE ASSEMBLY -STD	16	0181-017-000	8-32 x 1/4" - ALLEN SET SCREW
2	0152-002-000	#10-32 x 1/2" SS, FHD CTR REJ, SCREW	17	7800-124-000	HANDLE - TYPE 8 VALVE
3	2421-001-199	LEVER HANDLE	18	2715-005-199	ESCUTCHEON - TYPE 8 VALVE
4	2418-001-199	SNAP RING	19	2715-002-199	ESCUTCHEON - CAPITAL
5	2917-010-000	DIVERTER DIAL PLATE	20	0152-006-000	10-32 x 3/4" FLAT HEAD CNTR REJ SCREW
6	2706-002-199	ESCUTCHEON	21	7800-187-000	LIGATURE RESISTANT HANDLE TYPE 8
7	0152-003-000	#10-32 x 1-1/2" SS, FHD CTR REJ, SCREW	22	7800-189-000	LIGATURE RESISTANT HANDLE STEM INSERT
8	0116-016-000	#10-32 x 3/8" SS, RD HD PHIL, SCREW	23	0116-115-000	10-32 x 1-1/2" PHIL PAN HEAD SCREW
9	0331-014-000	#10 FLAT WASHER	24	7800-191-000	LIGATURE RESIST ESCUTCHEON -DIVERTER
10	0365-015-000	SPACER	25	7800-139-000	GASKET, TRIM ESCUTCHEON
11A	2919-001-001	PISTON ASSEMBLY - APEX/ACME/-8 VALVE	26	2917-005-199	DIVERTER COVER PLATE -LRH
11B	2919-001-002	PISTON ASSEMBLY - ZENITH & CAPITAL	27	2408-000-001	1" STEM EXTENSION ASSEMBLY
11C	2919-005-001	PISTON ASSEMBLY - -LRH LIG RESISTANT			
ITEM	PART NUMBER	DESCRIPTION	ITEM	PART NUMBER	DESCRIPTION

MORRIS GROUP INTL
P.O. BOX 3527 Industry, CA 91744
MORRIS GROUP 15125 Proctor Ave Industry, CA 91746
INTERNATIONAL (626) 336-4561 FAX (626) 961-2200

TITLE
DIVERTER VALVE

MANUFACTURE DATE

**APRIL 1979
TO PRESENT**

DATE ISSUED

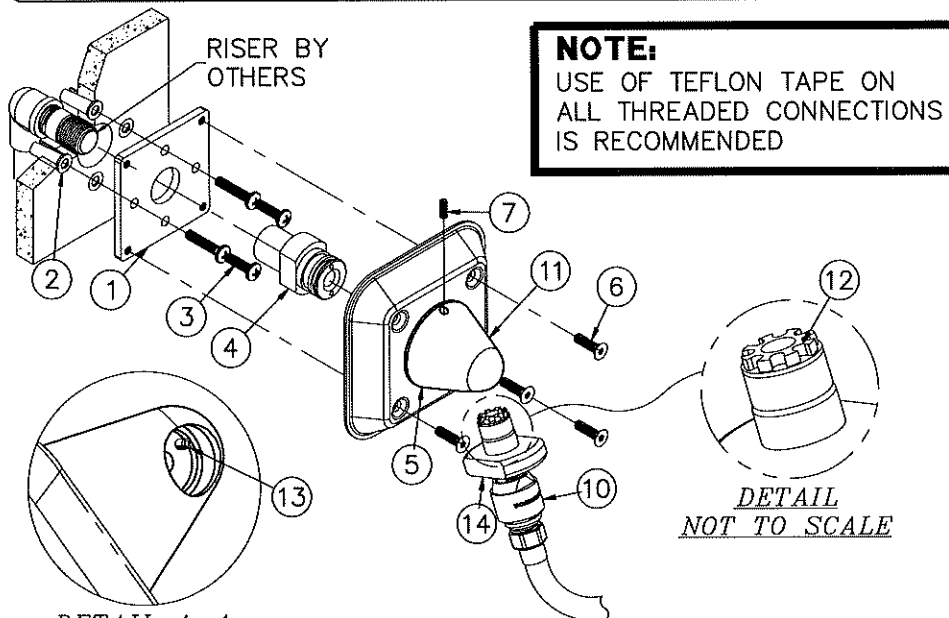
02/01/14

DATE REVISED

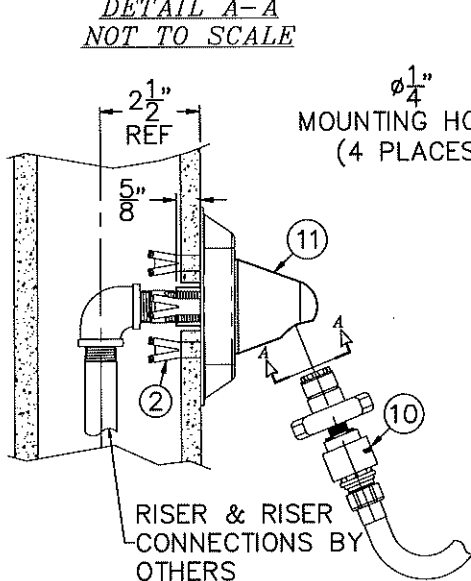
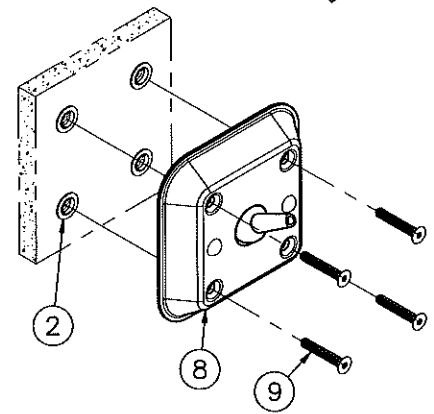
03/11/2022 C

DRAWING NUMBER

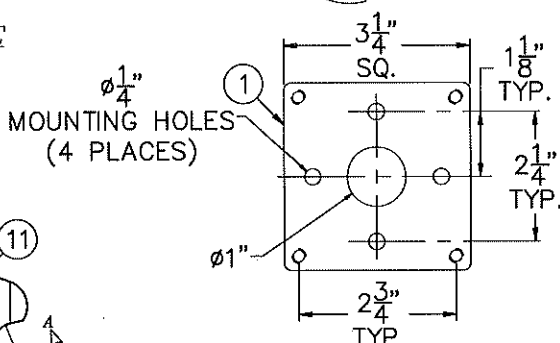
9975-080-002



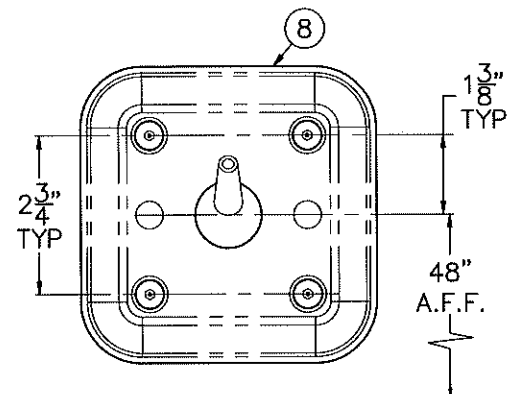
DETAIL A-A
NOT TO SCALE



RISER & RISER CONNECTIONS BY OTHERS



ANCHOR PLATE DETAIL
SCALED x 1-1/2



HANDHELD SHOWER HANGER
MOUNTING DETAIL SCALED x 1-1/2

REFER TO ADA GUIDELINES OR LOCAL CODE AUTHORITY FOR COMPLETE INSTALLATION REQUIREMENTS FOR YOUR COMPARTMENT.
COMPLIANCE IS SUBJECT TO THE INTERPRETATION AND REQUIREMENTS OF THE LOCAL CODE AUTHORITY.

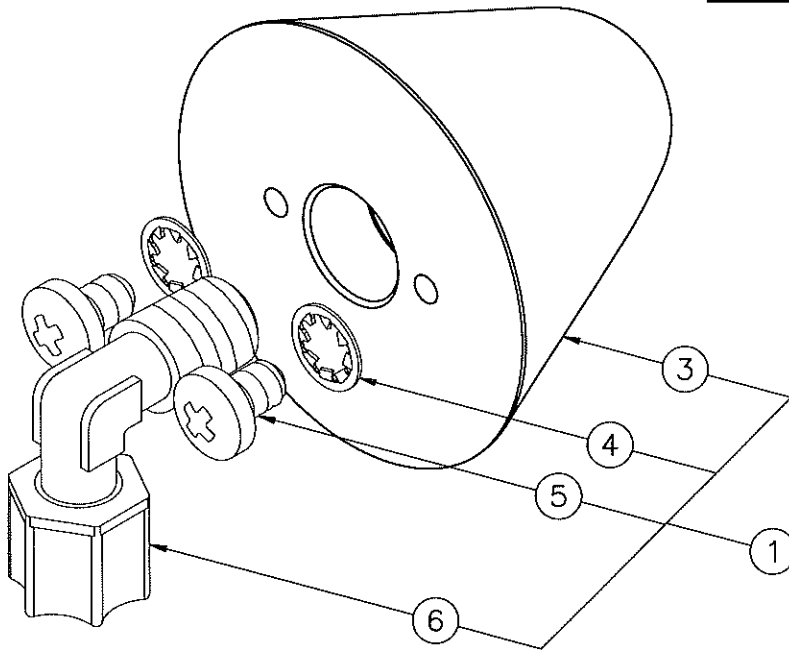
INSTALLATION INSTRUCTIONS:

- A- PRIOR TO MAKING UP CONNECTIONS TO VALVE ASSEMBLY, FLUSH SUPPLY LINES THOROUGHLY.
- B- USING ANCHOR PLATE (1) AS A TEMPLATE, LOCATE AND MARK MOUNTING POINTS TO INSTALL WALL ANCHOR (2) BY OTHERS FOR 1/4"-20 x 1-1/4" LONGS SCREWS (3) PROVIDED.
- C- SECURE ANCHORING PLATE (1) TO WALL USING SCREWS (3) PROVIDED.
- D- MAKE UP SHOWER RISER CONNECTION FROM VALVE TO 1/2" NPT SHOWER ADAPTER (4).
- E- INSTALL AND SECURE SHOWERHEAD (5) ONTO WALL ANCHORING PLATE (1) USING SCREWS (6) AND SET SCREW (7) PROVIDED.
- F- USE THE HANDHELD SHOWER HANGER BRACKET (8) TO MARK LOCATIONS FOR INSTALLER PROVIDED WALL ANCHORS (2) FOR PROVIDED 1/4"-20 UNC x 1-1/2" LONG SCREWS (9).
- G- SECURE HANDHELD SHOWER HANGER BRACKET (8) WITH PROVIDED 1/4"-20 UNC x 1-1/2" LONG SCREWS (9).
- H- INSERT HANDHELD SHOWER EXPANSION PLUG (10) INTO SHOWERHEAD (11) ENSURING THE ANTI-ROTATION SLOT (12) LINES UP WITH ANTI-ROTATION PIN (13) AND TURN KNOB (14) CLOCKWISE UNTIL HAND TIGHT, IF LEAKING TIGHTEN FURTHER.
- I- TURN KNOB (14) COUNTER-CLOCKWISE TO LOOSEN AND REMOVE HANDHELD SHOWER EXPANSION PLUG (10)

<p>WHITEHALL MANUFACTURING P.O. BOX 3527 Industry, CA 91744 15125 Proctor Ave Industry, CA 91746 (626) 968-6681 FAX (626) 855-4862</p>	<p>TITLE WHCS LIGATURE RESISTANT CONICAL HANDHELD SHOWER</p>		
	<p>MANUFACTURE DATE APRIL 2019</p>	<p>DATE ISSUED 04/20/19</p>	<p>DRAWING NUMBER 9918-043-001</p>
	<p>TO PRESENT</p>	<p>DATE REVISED</p>	

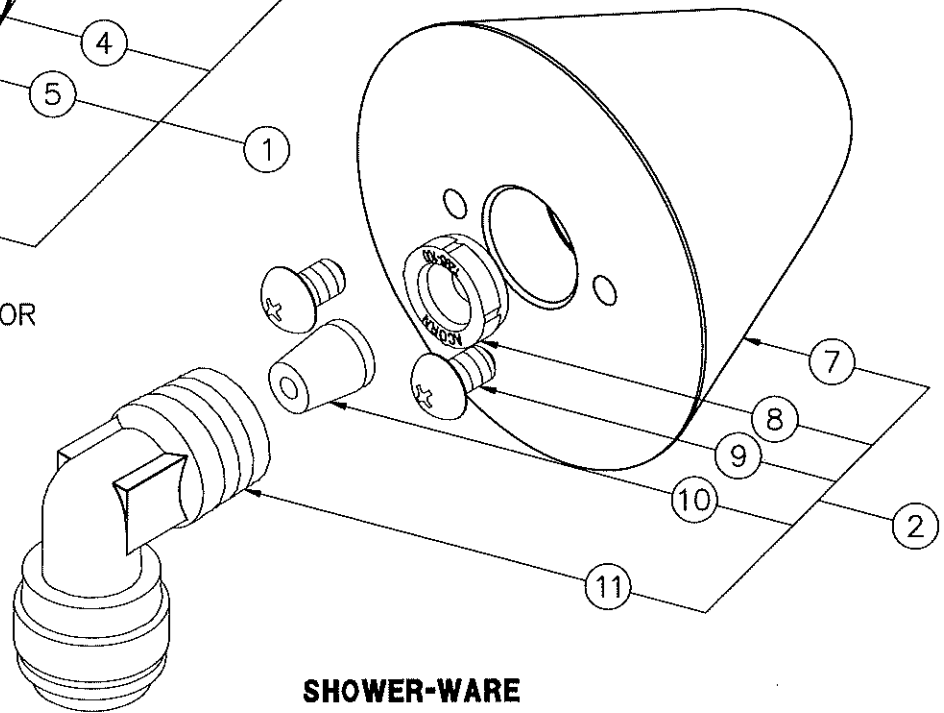


FLOW CONTROL	DESCRIPTION
0469-014-000	1.4 GPM FLOW CONTROL
0469-016-000	1.6 GPM FLOW CONTROL
0469-020-000	2.0 GPM FLOW CONTROL
0469-025-000	2.5 GPM FLOW CONTROL



PENAL-WARE

*NOTE: FLOW CONTROL RESTRICTOR LOCATED ON VALVE ASSEMBLY



SHOWER-WARE

1	1146-002-001	CONICAL SHOWER HD ASSY, PENAL-WARE	7	1146-012-002	CONICAL SHOWER HEAD SUB ASSY
2	1146-012-001	CONICAL SHOWER HD ASSY, SHOWER-WARE	8	1295-100-000	FLOW CONTROL RETAINER
3	1146-002-002	CONICAL SHOWER HEAD SUB ASSY	9	0116-011-000	#10-32 x 5/16" SS PHIL RD HD SCREW
4	0321-003-000	1/4" STAR WASHER	10	SEE B/M	CLACK FLOW CONTROL RESTRICTOR
5	0126-504-000	PHILLIPS PAN HEAD SCREW, 1/4-20 x .375	11	1895-706-000	3/8" NPT x 3/8" OD PUSH-IN ELBOW
6	1895-152-000	1/4" NPT X 1/4" OD TUBE FITTING			
ITEM	PART NUMBER	DESCRIPTION	ITEM	PART NUMBER	DESCRIPTION



ACORN ENGINEERING COMPANY
P.O. BOX 3527 INDUSTRY, CA. 91744
(626) 336-4561 FAX (626) 961-2200

TITLE **-CSH SUICIDE RESISTANT CONICAL SHOWER HEAD -HOUSING MOUNTED**

MANUFACTURE DATE

JUNE 1999

TO PRESENT

DATE ISSUED

07/19/01

DATE REVISED

02/20/07

DRAWING NUMBER

9970-140-001



T&S BRASS AND BRONZE WORKS, INC.

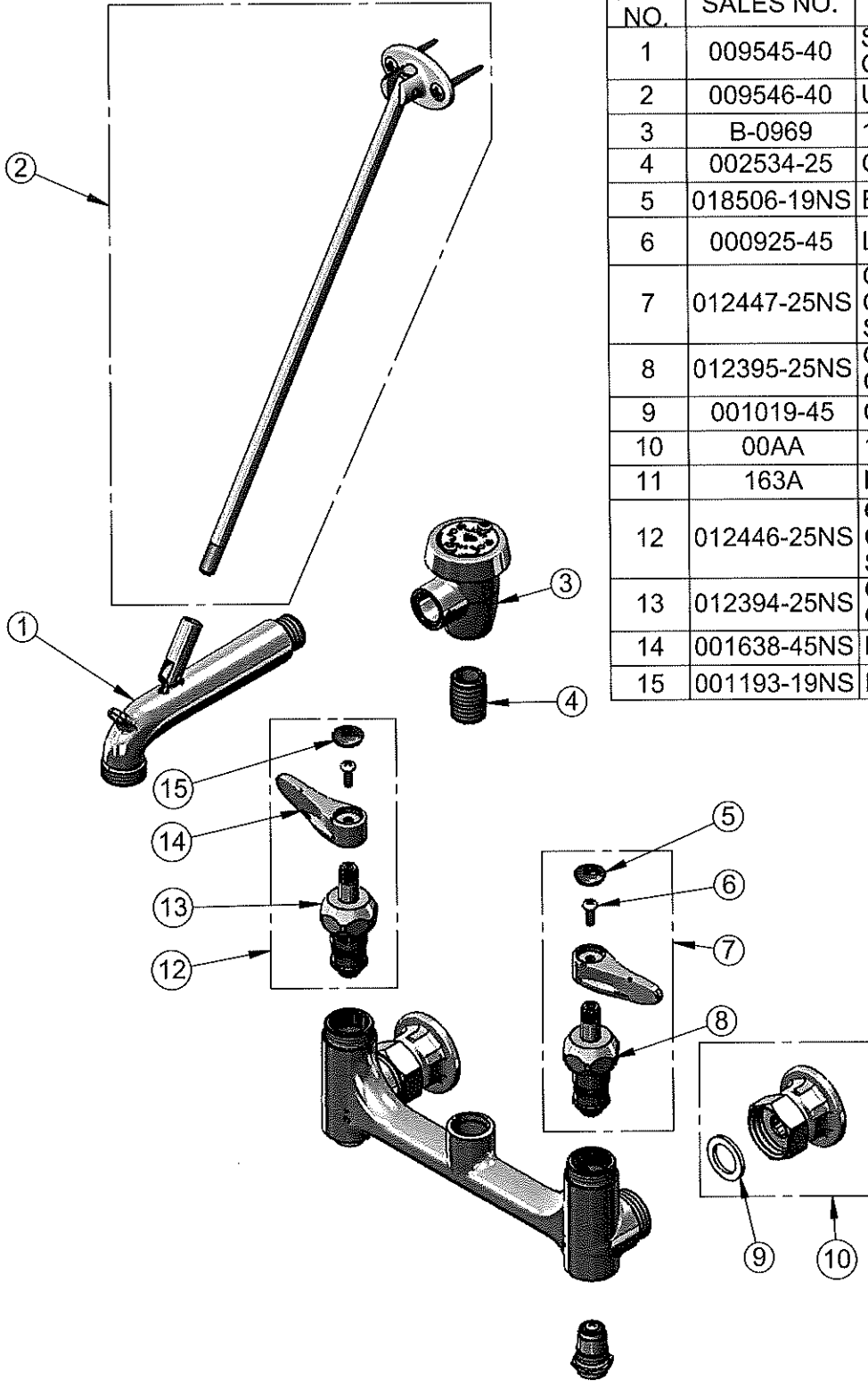
2 Saddleback Cove / P.O. Box 1088
Travelers Rest, SC 29690

Model No.

B-0665-CR-BSTP

Item No.

Travelers Rest, SC: 800-476-4103 • Simi Valley, CA: 800-423-0150 • Fax: 864-834-3518 • www.tsbrass.com



ITEM NO.	SALES NO.	DESCRIPTION
1	009545-40	Spout w/ Male GH Outlet & Upper Clevis - Polished Chrome
2	009546-40	Upper Support Rod
3	B-0969	1/2" NPT Vacuum Breaker
4	002534-25	Close Nipple, 1/2" NPT
5	018506-19NS	Blue Button Index, Press-in
6	000925-45	Lab Handle Screw
7	012447-25NS	Quarter-Turn Cerama Cartridge w/ Check Valve, Handle, Blue Index & Screw, LTC
8	012395-25NS	Quarter-Turn Cerama Cartridge w/ Check Valve, LTC
9	001019-45	Coupling Nut Washer
10	00AA	1/2" NPT Female Eccentric Flange
11	163A	Built-In Service Stop
12	012446-25NS	Quarter-Turn Cerama Cartridge w/ Check Valve, Handle, Red Index & Screw, RTC
13	012394-25NS	Quarter-Turn Cerama Cartridge w/ Check Valve, RTC
14	001638-45NS	Lever Handle (New Style)
15	001193-19NS	Red Button Index, Press-in

Product Specifications:

8" Wall Mount Service Sink, Quarter-Turn Cerama Cartridges w/ Check Valves, Lever Handles, Upper Support Rod, Built-In Stops, Garden Hose Male Outlet, Polished Chrome Finish, 1/2" NPT Vacuum Breaker & 1/2" NPT Female Inlets

Product Compliance:

ASME A112.18.1 / CSA B125.1
NSF 61 - Section 9
NSF 372 (Low Lead Content)
ANSI A117.1 (ADA)
ASSE 1001 (VB)

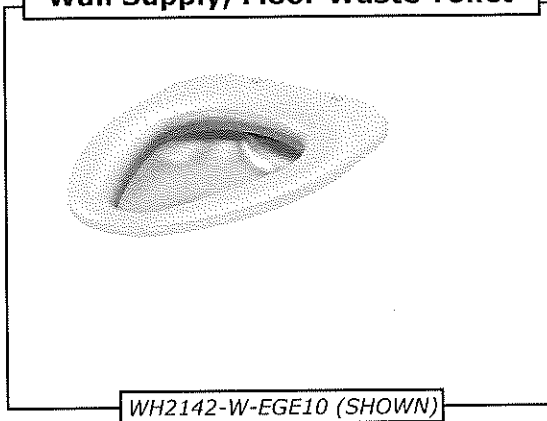
WC-1 WATER CLOSET



INSTALLATION, OPERATIONS & MAINTENANCE MANUAL

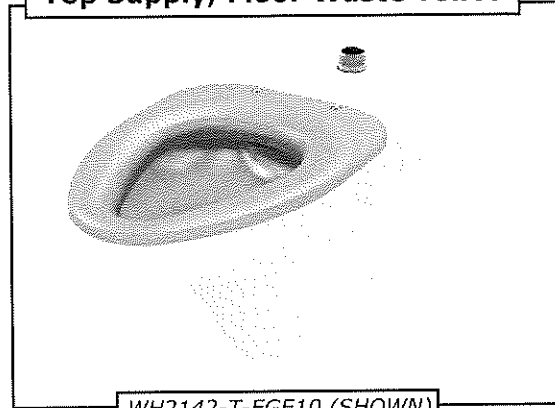
Best-Care® Toilet

WH2142-W-3 / WH2142ADA-W-3
Wall Supply, Floor Waste Toilet



WH2142-W-EGE10 (SHOWN)

WH2142-T-3 / WH2142ADA-T-3
Top Supply, Floor Waste Toilet



WH2142-T-EGE10 (SHOWN)

**TECHNICAL ASSISTANCE TOLL FREE TELEPHONE NUMBER:
1.800.591.9360**

Technical Assistance E-mail: Fieldservice@acorneng.com



! IMPORTANT

Important: Some options may slightly alter installation. To ensure proper installation review the manual thoroughly and verify rough-ins before beginning any work. File this manual with the owner or maintenance personnel upon completion of installation.

MGI Engineered Plumbing Products are designed in accord with applicable National Codes and Standards, which may include UPC, ANSI, and ASSE. Installers should use industry standard practice for details not covered within Manual. Prior to installation, supply lines must be flushed of all foreign material such as pipe dope, chips, or solder. Debris or foreign material in water supply may damage valve. An appropriate thread sealant is recommended on all threaded waste and supply connections to reduce the possibility of leaks. Toilet requires a minimum of 25 PSI flow pressure and uses a minimum water consumption of 1.28 GPF.

WH2142 Toilet fixtures are supported on-floor and are not intended for use with In-Wall Support Carriers. Depending on wall construction, rear wall may require backing for mounting fixture to wall. Installer provided wall anchors and wall anchoring hardware must be appropriate for wall construction.

ANSI, UFAS or ADA compliance is subject to the interpretation and requirements of the local code authority and is the responsibility of the installer for verification.

TOILET WASTE CONNECTIONS

Units with Wall Waste Outlets are provided using a 5-1/2" Diameter Recessed Gasket Flange and Floor Waste units will receive a 7-1/2" Diameter Recessed Gasket Flange. The Stainless Steel Gasket Flange is welded in place to the Toilet P-trap, and is fabricated to be flush with the back of the unit (wall outlet) or flush with the bottom of the fixture (floor outlet). The depth of the Recessed Gasket Flange is 1/2" deep.

The Recessed Gasket Flange is intended for installation and assembly with a common 3" or 4" Toilet Closet Flange Fitting, Yoke Adapter or similar. The Recessed Gasket Flange provided includes (2) 5/16" UNC Threaded Captive Nuts, which are on 6" centers. These tapings allow for assembly of Closet Bolts and may assist to provide for the Squeeze of the Gasket to seal the waste connection. Certain installation conditions may not require using the tapings. Choice of the Gasket material is up to the installer however, it is common for Neoprene or Felt Gaskets to be used with Wall Waste Toilet units.

Please refer to the Link or QR code provided.

For Cleaning & Care Guide:

<https://www.whitehallmfg.com/uploads/fileLibrary/9900-008-W01.pdf>



WHITEHALL MANUFACTURING® • P.O. BOX 3527 • City of Industry, CA 91744-0527 U.S.A.
Phone (800) 782-7706 • (626) 968-6681 • Fax (626) 855-4862 • Web: www.whitehallmfg.com

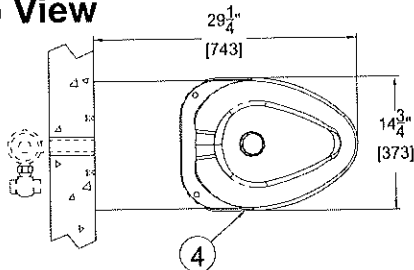


TECHNICAL DIMENSIONS

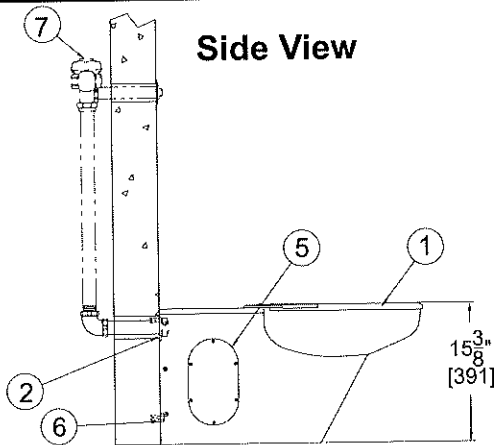
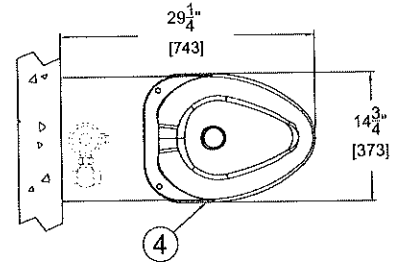
WALL SUPPLY

TOP SUPPLY

Top View

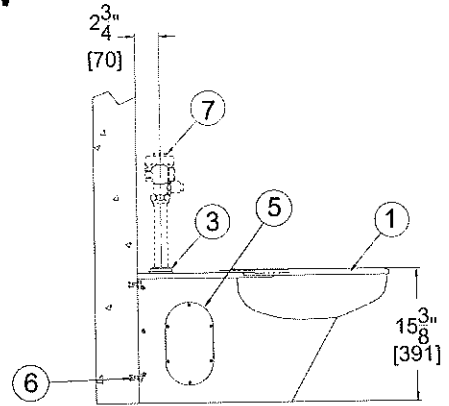


Top View

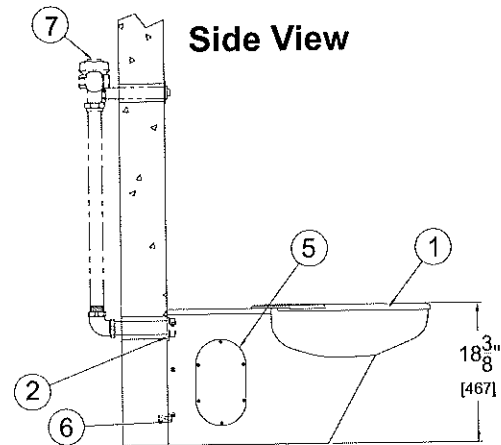


WH2142-W-3

Side View

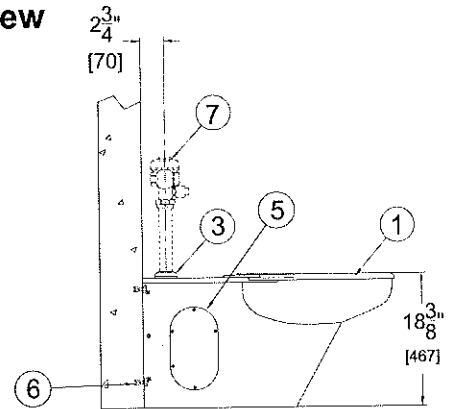


WH2142-T-3



WH2142ADA-W-3

Side View



WH2142ADA-T-3

NOTE: All dimensions are in Inches (mm)

- [1] Toilet
- [2] 1-1/2" NPT Female Wall Supply Flush Inlet Connection
- [3] 1-1/2" NPT Male Top Supply Flush Inlet Connection
- [4] Ligature Resistant Toilet Seat Cover
- [5] Access Panel with Vandal Resistant Fasteners

- [6] Wall Anchors: Provided by others to suit wall construction
- [7] Flush Valve Shown for reference only and is not included. Refer to optional Flush Valve Access Panel and Cover for additional details

WHITEHALL MANUFACTURING® • P.O. BOX 3527 • City of Industry, CA 91744-0527 U.S.A.
 Phone (800) 782-7706 • (626) 968-6681 • Fax (626) 855-4862 • Web: www.whitehallmfg.com



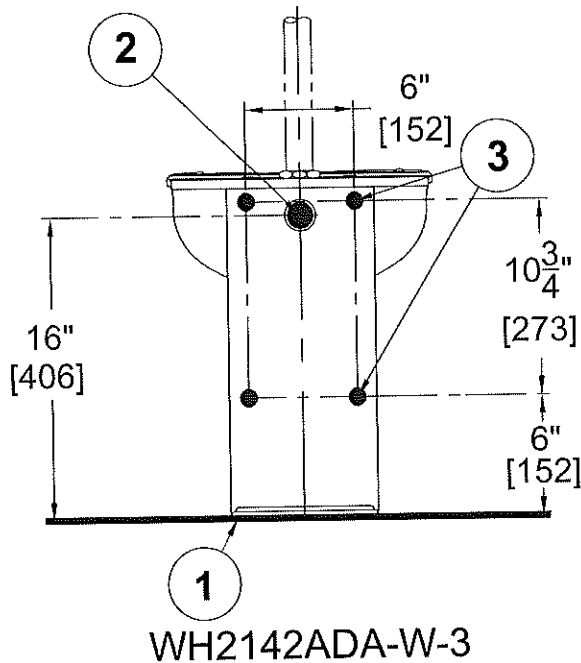
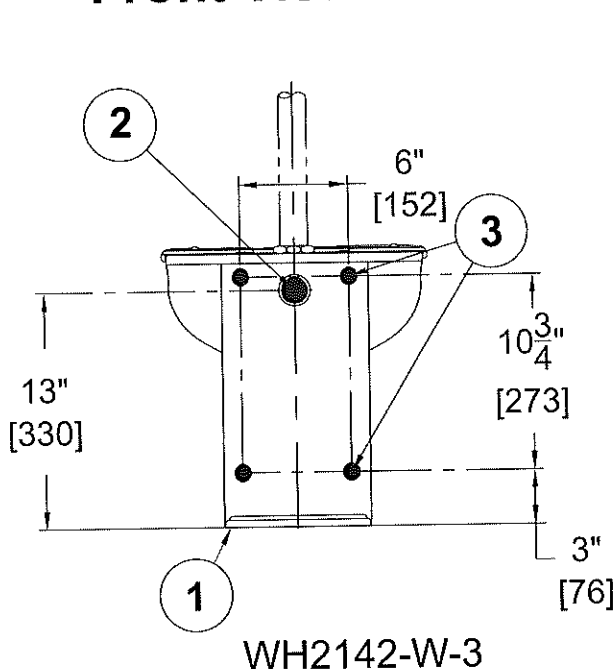
ROUGH-IN DIMENSIONS

! IMPORTANT

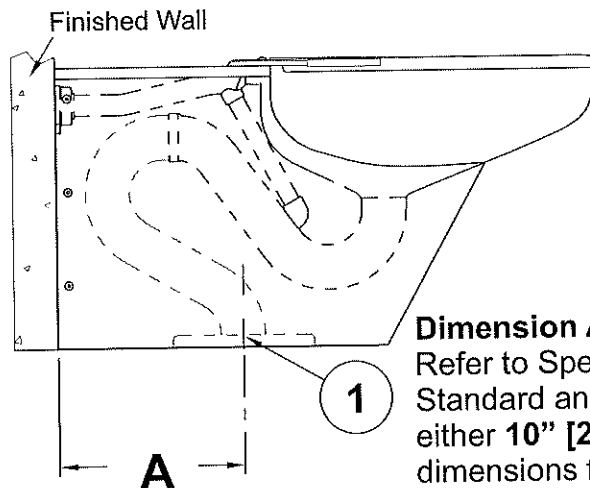
Ligature Resistant Toilets require specific Flush Valve model to suit application for Supply Type (Concealed / Exposed), Flow Rate and ADA Accessibility (when applicable). Refer to the following WhiteHall® Accessories:

- Concealed Flush Valve Access Panel: Model WH2898 and WHD2898 for ADA
- Exposed Flush Valve Cover: WH2802-SLPT and WH2802-SLPT -ADA

WALL SUPPLY Front View



Side View



Dimension A-
Refer to Specified Floor Waste Model:
Standard and ADA models are offered
either 10" [254], or 12" [305]
dimensions from Finished Wall.

- [1] 7-1/2" Recessed Gasket Flange (Flush with bottom of fixture for connection to Closet Flange)
- [2] 1" NPT Female Flush Valve Supply Inlet
- [3] 5/8" Dia. Openings provided for Mounting to required Wall Anchors and/or Wall Backing.



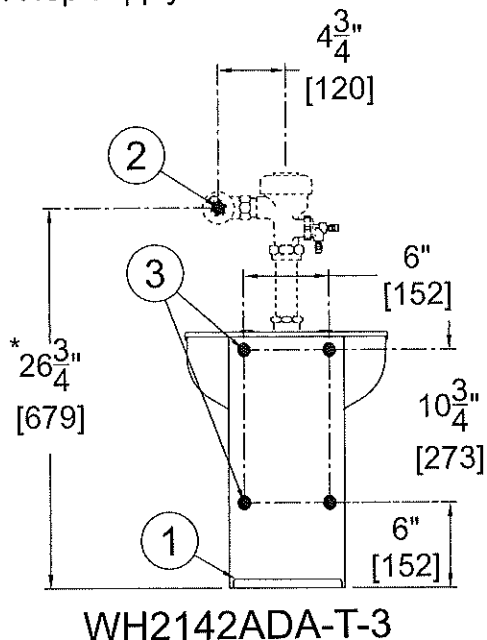
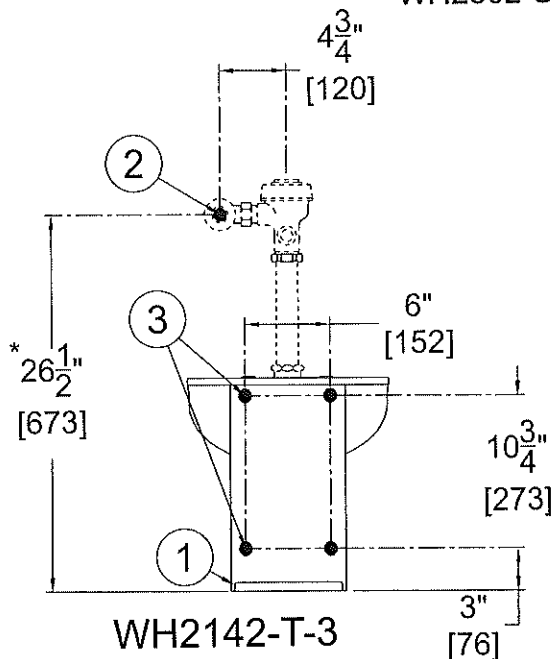
ROUGH-IN DIMENSIONS

! IMPORTANT

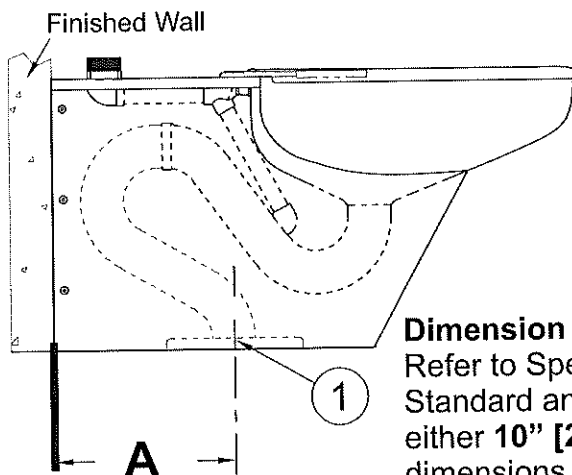
Ligature Resistant Toilets require specific Flush Valve model to suit application for Supply Type (Concealed / Exposed), Flow Rate and ADA Accessibility (when applicable). Refer to the following WhiteHall® Accessories:
 - Concealed Flush Valve Access Panel: Model WH2898 and WHD2898 for ADA
 - Exposed Flush Valve Cover: WH2802-SLPT and WH2802-SLPT-ADA

TOP SUPPLY Front View

*Flush Valve Supply Inlet dimensions provided are for reference only. Dimensions shown will coordinate with Whitehall Manufacturing optional models WH802-SLPT and WH2802-SLPT-ADA Top Supply Flush Valve covers.



Side View

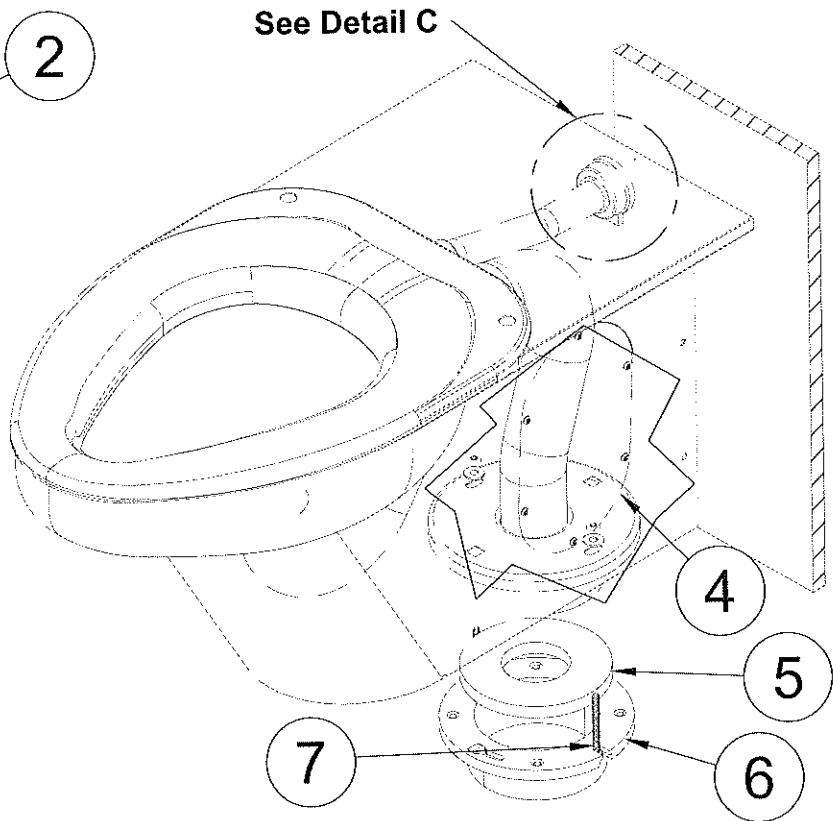
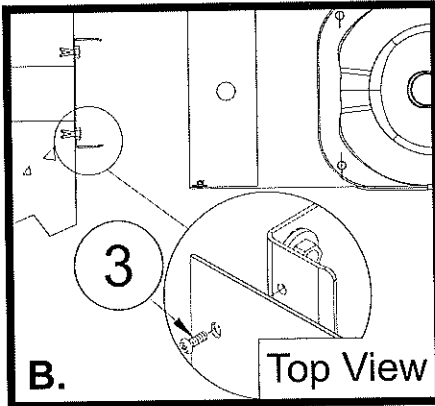
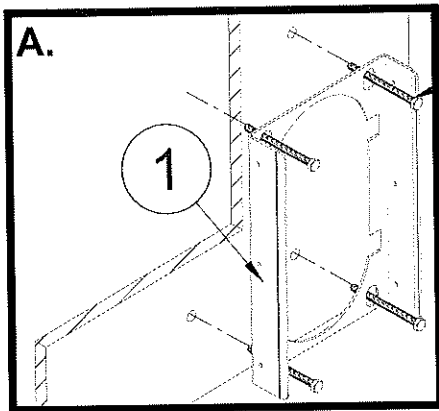


Dimension A-
 Refer to Specified Floor Waste Model:
 Standard and ADA models are offered
 either 10" [254], or 12" [305]
 dimensions from Finished Wall.

- [1] 7-1/2" Recessed Gasket Flange (Flush with bottom of fixture for connection to Closet Flange)
- [2] 1" NPT Female Flush Valve Supply Inlet
- [3] 5/8" Dia. Openings provided for Mounting to required Wall Anchors and/or Wall Backing.



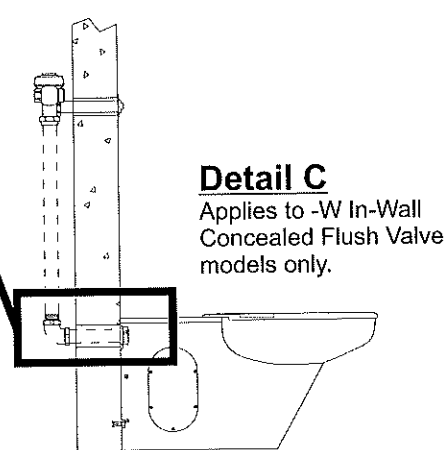
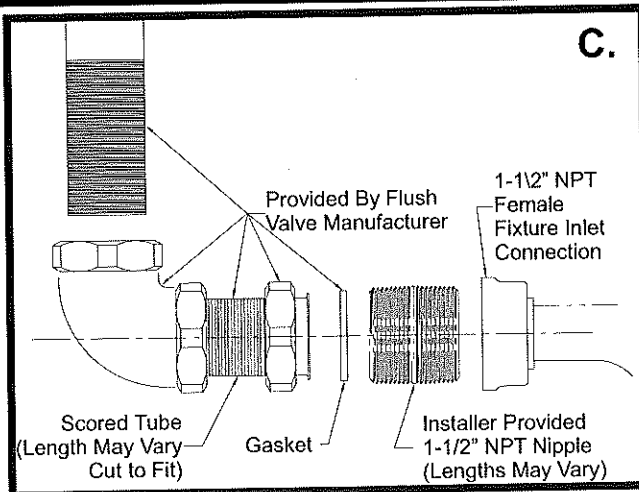
INSTALLATION DETAILS



INSTALLATION

- A. Position Mounting Channel [1] onto fixture side of Reinforced Wall locating as indicated. Wall Anchors and Fasteners [2] are by others. **See Detail A.**
- B. Place Toilet up against wall. Attach toilet housing to Mounting Channel [1] using 1/4-20 Screws [3]. **Detail B.**
- C. Remove Access Panel and Fasteners [4] make up toilet waste connection.
- D. Install Flush Valve to fixture as required per manufacture's recommendations.

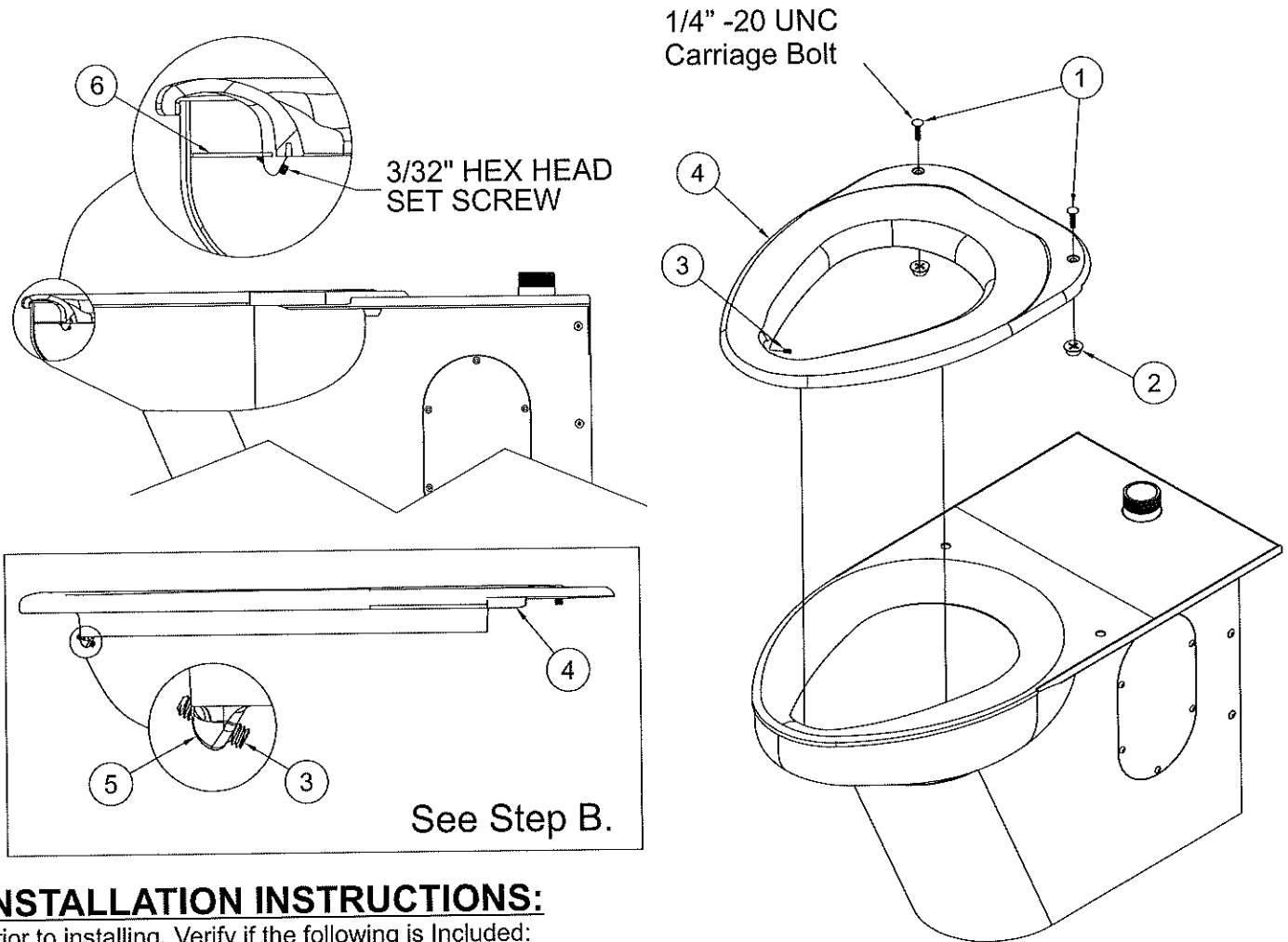
- [1] Mounting Channel (Provided)
- [2] Wall Mounting Hardware (By Others)
- [3] 1/4-20 Screws
- [4] Access Panel and 1/4"-20 Fasteners
- [5] Appropriate Toilet Gasket (By Others)
- [6] Closet Flange Connection to Waste (By Others)
- [7] Closet Flange Hardware (By Others)



Detail C
Applies to -W In-Wall Concealed Flush Valve models only.



PLASTIC SEAT INSTALLATION



INSTALLATION INSTRUCTIONS:

Prior to installing, Verify if the following is Included:
Carriage Bolts [1], Tapered Nuts [2], Front Set Screw [3], and Toilet Seat [4].

- A. Partially install Front Set Screw [3] into the Mounting Tab [5] located at the front of the Toilet Seat [4]. Set Screw [3] should not pass beyond Mounting Tab [5].
- B. Position the Toilet Seat [4] onto Toilet, and press down firmly.
- C. Fasten the Toilet Seat [4] to the Toilet by using the Carriage Bolts [1] on top of the Toilet Seat [4] and tighten by installing the Tapered Nuts [2] from the underside of the Toilet rim.
- D. With Toilet Seat [4] Fastened, pressed downward on Toilet Seat [4] and tighten the Front Set Screw [3] until it firmly engages under the Flushing Rim [6].

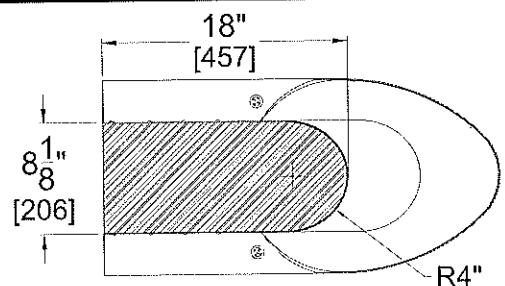
NOTE: If Toilet Seat has Hole Plugs, remove them prior to installing Toilet.

SLOPING FLOORS:

When required for sloping floors, refer to detail to create a level pad for on-floor Toilet Housing.

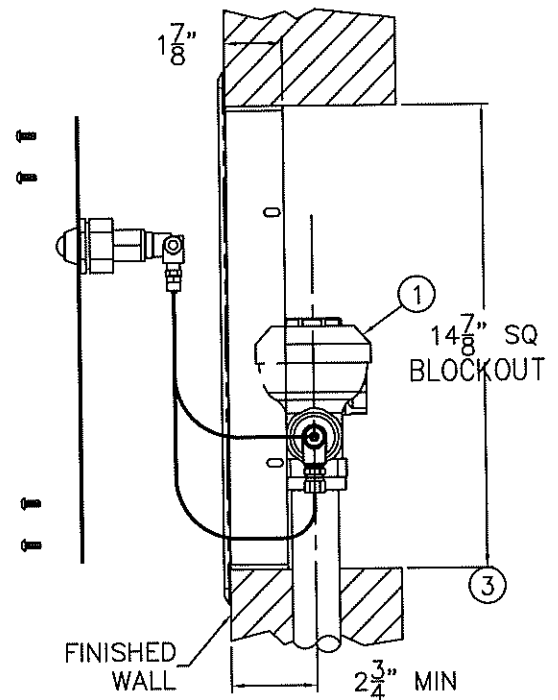
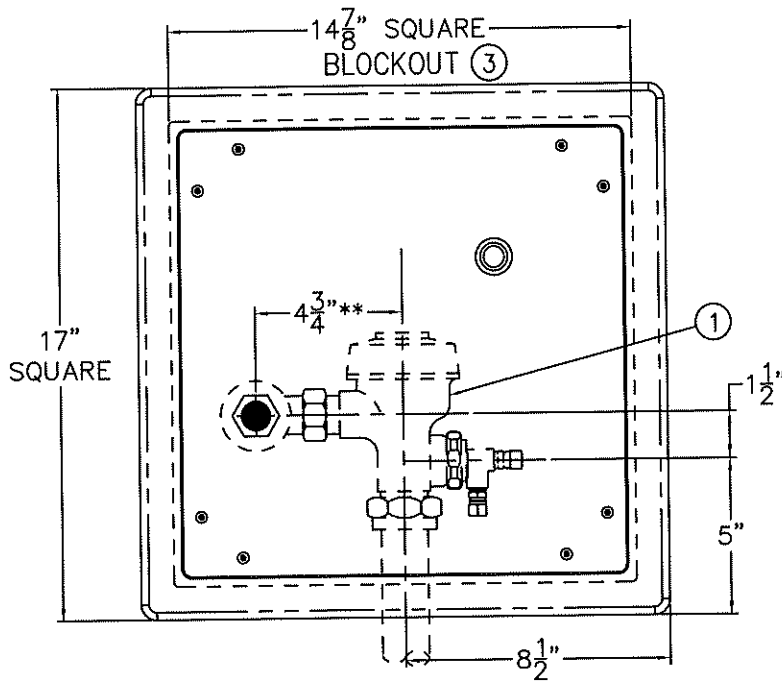
IMPORTANT:

Sloping floor detail is provided for reference only and should not be considered as a recommendation by the fixture manufacturer. Installer assumes all responsibility to alterations of site conditions and affected fixture dimensions.

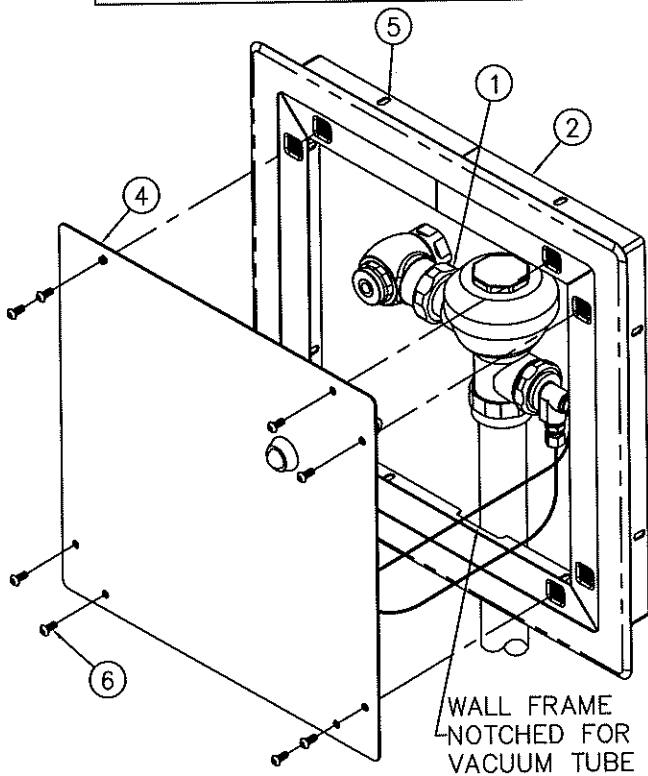




REFER TO ADA GUIDELINES FOR COMPLETE INSTALLATION REQUIREMENTS. BUTTON SHOULD BE LOCATED ON THE OPEN SIDE OF THE FIXTURE WITH A MAXIMUM HEIGHT OF 48" AFF.



IMPORTANT: PRIOR TO INSTALLATION VERIFY GRAB BAR STYLE BEING USED. Grab bar style with closure plate may interfere affecting location of Access Panel. Verify site conditions, including toilet fixture. Whitehall Mfg. assumes no responsibility for specification of conflicting materials.



NOTES:

READ ALL INSTRUCTIONS THOROUGHLY. PANEL ASSEMBLY SHOULD NOT BE MOUNTED UNTIL FINISHED WALL HAS BEEN COMPLETED AND FIXTURE INSTALLED WITH HYDRAULIC FLUSH VALVE (1) PROVIDED. THE FLUSH VALVE ACCESS PANEL ASSEMBLY IS A FINISHED PRODUCT; EXERCISE CARE TO AVOID DAMAGING WALL FRAME/PANEL OR OTHERWISE MARRING POWDER COAT FINISH.

INSTALLATION INSTRUCTIONS:

- A-BLOCK OUT AND PROVIDE SUPPORT BACKING FOR WALL FRAME (2) USING BLOCKOUT DIMENSIONS (3) INDICATED. POSITION WALL FRAME (2) ON CENTERLINE OF FIXTURE WITH BOTTOM OF WALL FRAME 2-1/2" ABOVE INTEGRAL FLOOD RIM OR TOP OF URINAL.
- B-INSTALL FIXTURE AND CONCEALED HYDRAULIC FLUSH VALVE MAKING UP CONNECTIONS AS REQUIRED. REFER TO FIXTURE AND FLUSH VALVE MANUFACTURER INSTALLATION SHEETS FOR ADDITIONAL INFORMATION.
- C-REMOVE STAINLESS STEEL PANEL (4) AND INSTALL WALL FRAME (2) ONTO FINISH WALL. SECURE WITH ANCHORING HARDWARE PROVIDED BY THE INSTALLER THROUGH Ø1/4" x 1/2" LONG SLOTS (5) PROVIDED (8 PLACES).
- D-COMplete the installation by assembling panel (4) to installed wall frame (2) with hardware (6) provided.

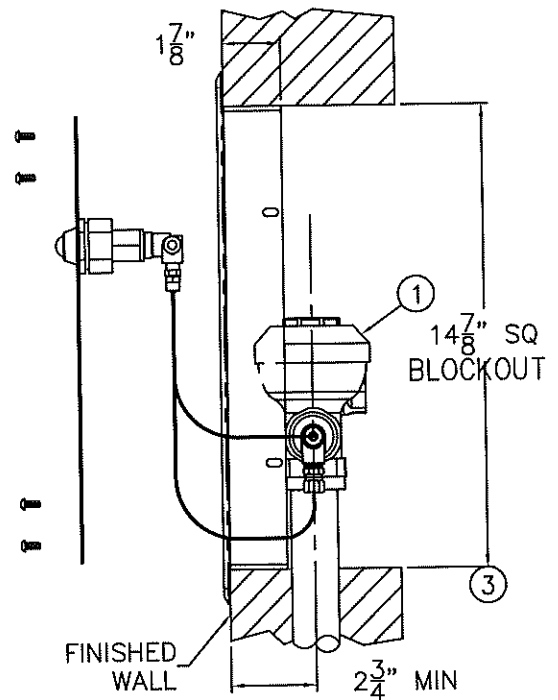
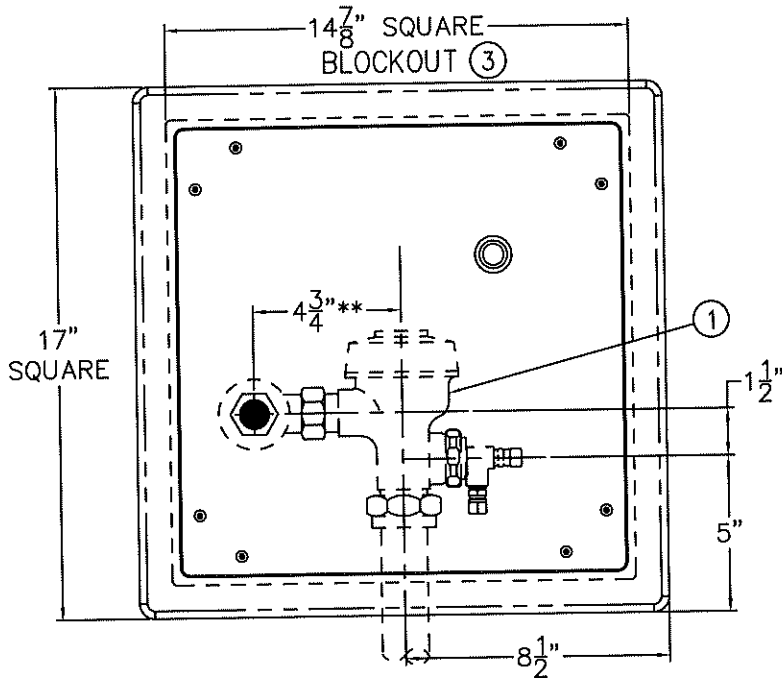
WHITEHALL MANUFACTURING
 P.O. BOX 3527 Industry, CA 91744
 15125 Proctor Ave Industry, CA 91746
 (626) 968-6681 FAX (626) 855-4862

TITLE LIGATURE RESISTANT, FLUSH VALVE ACCESS PANEL, WH2898-ADA		
MANUFACTURE DATE OCTOBER 2015 TO PRESENT	DATE ISSUED 04/12/17	DRAWING NUMBER 9918-014-001
	DATE REVISED 03/01/21	

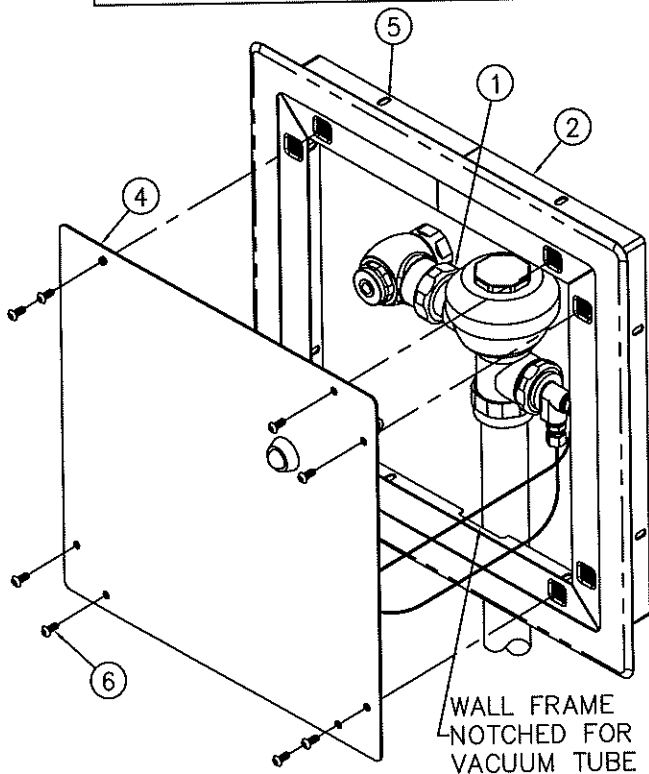
WC-2 WATER CLOSET



REFER TO ADA GUIDELINES FOR COMPLETE INSTALLATION REQUIREMENTS. BUTTON SHOULD BE LOCATED ON THE OPEN SIDE OF THE FIXTURE WITH A MAXIMUM HEIGHT OF 48" AFF.



IMPORTANT: PRIOR TO INSTALLATION VERIFY GRAB BAR STYLE BEING USED. Grab bar style with closure plate may interfere affecting location of Access Panel. Verify site conditions, including toilet fixture. Whitehall Mfg. assumes no responsibility for specification of conflicting materials.



NOTES:

READ ALL INSTRUCTIONS THOROUGHLY. PANEL ASSEMBLY SHOULD NOT BE MOUNTED UNTIL FINISHED WALL HAS BEEN COMPLETED AND FIXTURE INSTALLED WITH HYDRAULIC FLUSH VALVE (1) PROVIDED. THE FLUSH VALVE ACCESS PANEL ASSEMBLY IS A FINISHED PRODUCT; EXERCISE CARE TO AVOID DAMAGING WALL FRAME/PANEL OR OTHERWISE MARRING POWDER COAT FINISH.

INSTALLATION INSTRUCTIONS:

- A-BLOCK OUT AND PROVIDE SUPPORT BACKING FOR WALL FRAME (2) USING BLOCKOUT DIMENSIONS (3) INDICATED. POSITION WALL FRAME (2) ON CENTERLINE OF FIXTURE WITH BOTTOM OF WALL FRAME 2-1/2" ABOVE INTEGRAL FLOOD RIM OR TOP OF URINAL.
- B-INSTALL FIXTURE AND CONCEALED HYDRAULIC FLUSH VALVE MAKING UP CONNECTIONS AS REQUIRED. REFER TO FIXTURE AND FLUSH VALVE MANUFACTURER INSTALLATION SHEETS FOR ADDITIONAL INFORMATION.
- C-REMOVE STAINLESS STEEL PANEL (4) AND INSTALL WALL FRAME (2) ONTO FINISH WALL. SECURE WITH ANCHORING HARDWARE PROVIDED BY THE INSTALLER THROUGH Ø1/4" x 1/2" LONG SLOTS (5) PROVIDED (8 PLACES).
- D-COMplete the installation by assembling panel (4) to installed wall frame (2) with hardware (6) provided.



WHITEHALL MANUFACTURING
P.O. BOX 3527 Industry, CA 91744
15125 Proctor Ave Industry, CA 91746
(626) 968-6681 FAX (626) 855-4862

TITLE

LIGATURE RESISTANT, FLUSH VALVE ACCESS PANEL, WH2898-ADA

MANUFACTURE DATE

OCTOBER 2015
TO PRESENT

DATE ISSUED

04/12/17

DATE REVISED

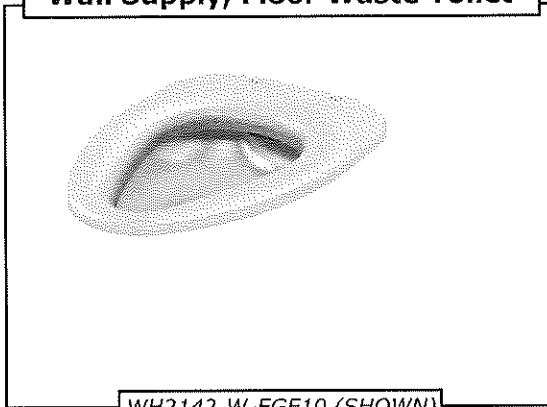
03/01/21

DRAWING NUMBER

9918-014-001

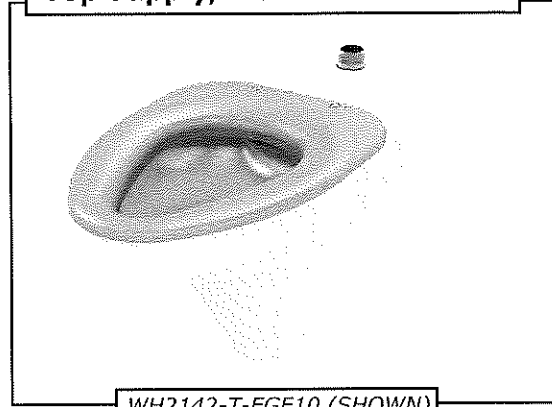


**WH2142-W-3 / WH2142ADA-W-3
Wall Supply, Floor Waste Toilet**



WH2142-W-EGE10 (SHOWN)

**WH2142-T-3 / WH2142ADA-T-3
Top Supply, Floor Waste Toilet**



WH2142-T-EGE10 (SHOWN)

**TECHNICAL ASSISTANCE TOLL FREE TELEPHONE NUMBER:
1.800.591.9360**

Technical Assistance E-mail: Fieldservice@acorneng.com



IMPORTANT

Important: Some options may slightly alter installation. To ensure proper installation review the manual thoroughly and verify rough-ins before beginning any work. File this manual with the owner or maintenance personnel upon completion of installation.

MGI Engineered Plumbing Products are designed in accord with applicable National Codes and Standards, which may include UPC, ANSI, and ASSE. Installers should use industry standard practice for details not covered within Manual. Prior to installation, supply lines must be flushed of all foreign material such as pipe dope, chips, or solder. Debris or foreign material in water supply may damage valve. An appropriate thread sealant is recommended on all threaded waste and supply connections to reduce the possibility of leaks. Toilet requires a minimum of 25 PSI flow pressure and uses a minimum water consumption of 1.28 GPF.

WH2142 Toilet fixtures are supported on-floor and are not intended for use with In-Wall Support Carriers. Depending on wall construction, rear wall may require backing for mounting fixture to wall. Installer provided wall anchors and wall anchoring hardware must be appropriate for wall construction.

ANSI, UFAS or ADA compliance is subject to the interpretation and requirements of the local code authority and is the responsibility of the installer for verification.

TOILET WASTE CONNECTIONS

Units with Wall Waste Outlets are provided using a 5-1/2" Diameter Recessed Gasket Flange and Floor Waste units will receive a 7-1/2" Diameter Recessed Gasket Flange. The Stainless Steel Gasket Flange is welded in place to the Toilet P-trap, and is fabricated to be flush with the back of the unit (wall outlet) or flush with the bottom of the fixture (floor outlet). The depth of the Recessed Gasket Flange is 1/2" deep.

The Recessed Gasket Flange is intended for installation and assembly with a common 3" or 4" Toilet Closet Flange Fitting, Yoke Adapter or similar. The Recessed Gasket Flange provided includes (2) 5/16" UNC Threaded Captive Nuts, which are on 6" centers. These tapings allow for assembly of Closet Bolts and may assist to provide for the Squeeze of the Gasket to seal the waste connection. Certain installation conditions may not require using the tapings. Choice of the Gasket material is up to the installer however, it is common for Neoprene or Felt Gaskets to be used with Wall Waste Toilet units.

Please refer to the Link or QR code provided.

For Cleaning & Care Guide:

<https://www.whitehallmfg.com/uploads/fileLibrary/9900-008-W01.pdf>



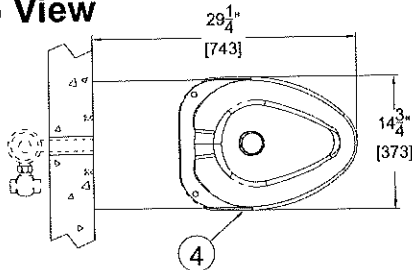


TECHNICAL DIMENSIONS

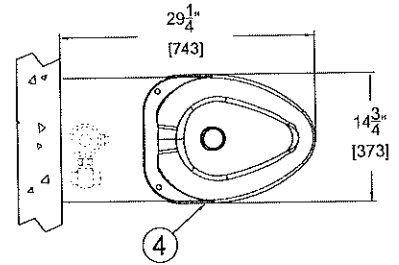
WALL SUPPLY

TOP SUPPLY

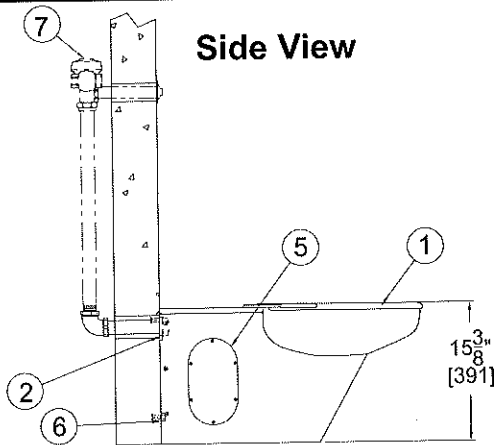
Top View



Top View

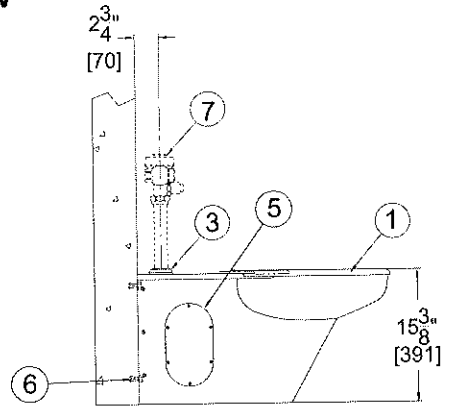


Side View



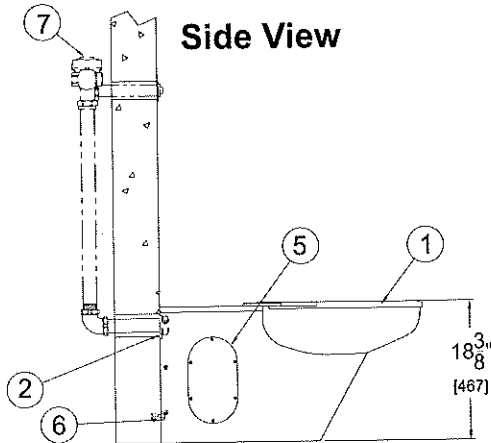
WH2142-W-3

Side View



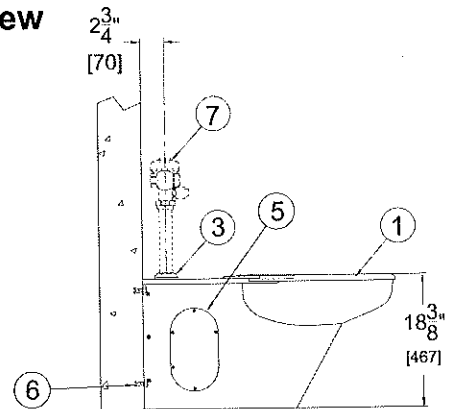
WH2142-T-3

Side View



WH2142ADA-W-3

Side View



WH2142ADA-T-3

NOTE: All dimensions are in Inches (mm)

- [1] Toilet
- [2] 1-1/2" NPT Female Wall Supply Flush Inlet Connection
- [3] 1-1/2" NPT Male Top Supply Flush Inlet Connection
- [4] Ligature Resistant Toilet Seat Cover
- [5] Access Panel with Vandal Resistant Fasteners

- [6] Wall Anchors: Provided by others to suit wall construction
- [7] Flush Valve Shown for reference only and is not included. Refer to optional Flush Valve Access Panel and Cover for additional details

WHITEHALL MANUFACTURING® • P.O. BOX 3527 • City of Industry, CA 91744-0527 U.S.A.
Phone (800) 782-7706 • (626) 968-6681 • Fax (626) 855-4862 • Web: www.whitehallmfg.com

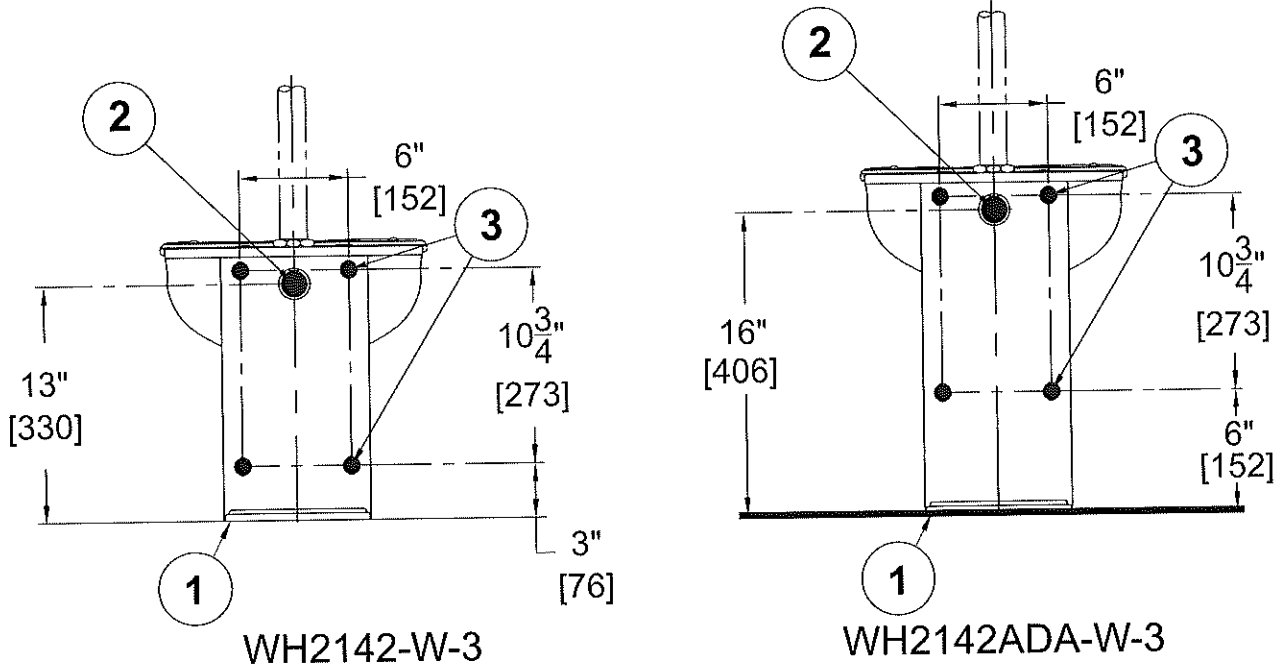


ROUGH-IN DIMENSIONS

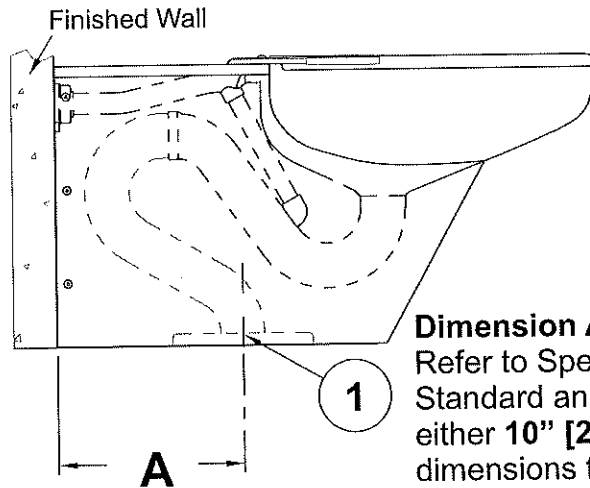
! IMPORTANT

Ligature Resistant Toilets require specific Flush Valve model to suit application for Supply Type (Concealed / Exposed), Flow Rate and ADA Accessibility (when applicable). Refer to the following WhiteHall® Accessories:
 - Concealed Flush Valve Access Panel: Model WH2898 and WHD2898 for ADA
 - Exposed Flush Valve Cover: WH2802-SLPT and WH2802-SLPT -ADA

WALL SUPPLY Front View



Side View



Dimension A-
 Refer to Specified Floor Waste Model:
 Standard and ADA models are offered
 either 10" [254], or 12" [305]
 dimensions from Finished Wall.

- [1] 7-1/2" Recessed Gasket Flange (Flush with bottom of fixture for connection to Closet Flange)
- [2] 1" NPT Female Flush Valve Supply Inlet
- [3] 5/8" Dia. Openings provided for Mounting to required Wall Anchors and/or Wall Backing.



ROUGH-IN DIMENSIONS

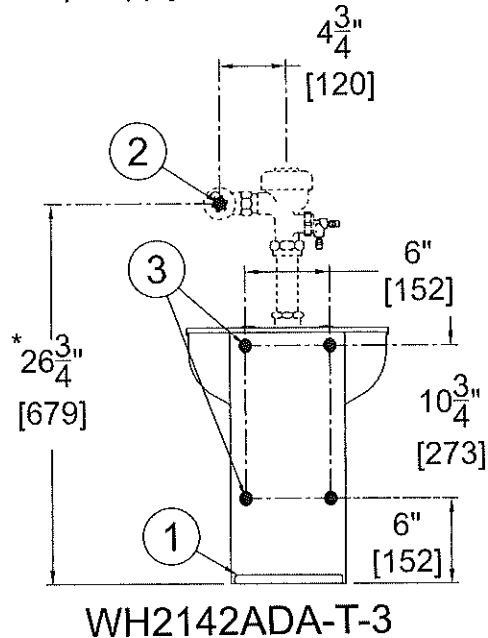
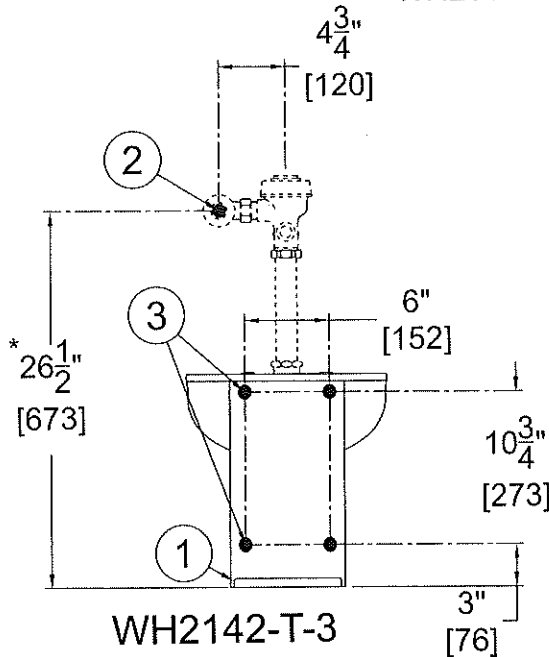
! IMPORTANT

Ligature Resistant Toilets require specific Flush Valve model to suit application for Supply Type (Concealed / Exposed), Flow Rate and ADA Accessibility (when applicable). Refer to the following WhiteHall® Accessories:

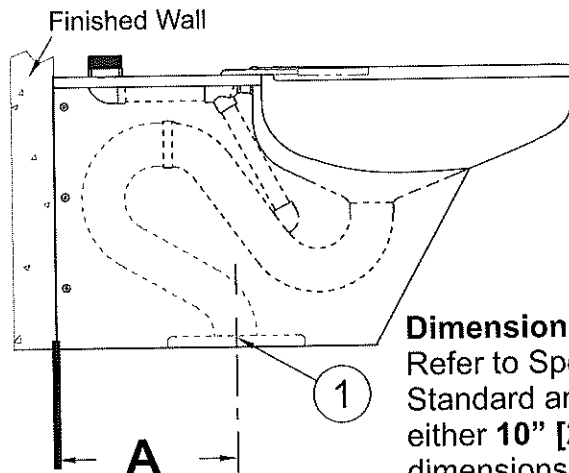
- Concealed Flush Valve Access Panel: Model WH2898 and WHD2898 for ADA
- Exposed Flush Valve Cover: WH2802-SLPT and WH2802-SLPT-ADA

TOP SUPPLY Front View

*Flush Valve Supply Inlet dimensions provided are for reference only. Dimensions shown will coordinate with Whitehall Manufacturing optional models WH802-SLPT and WH2802-SLPT-ADA Top Supply Flush Valve covers.



Side View

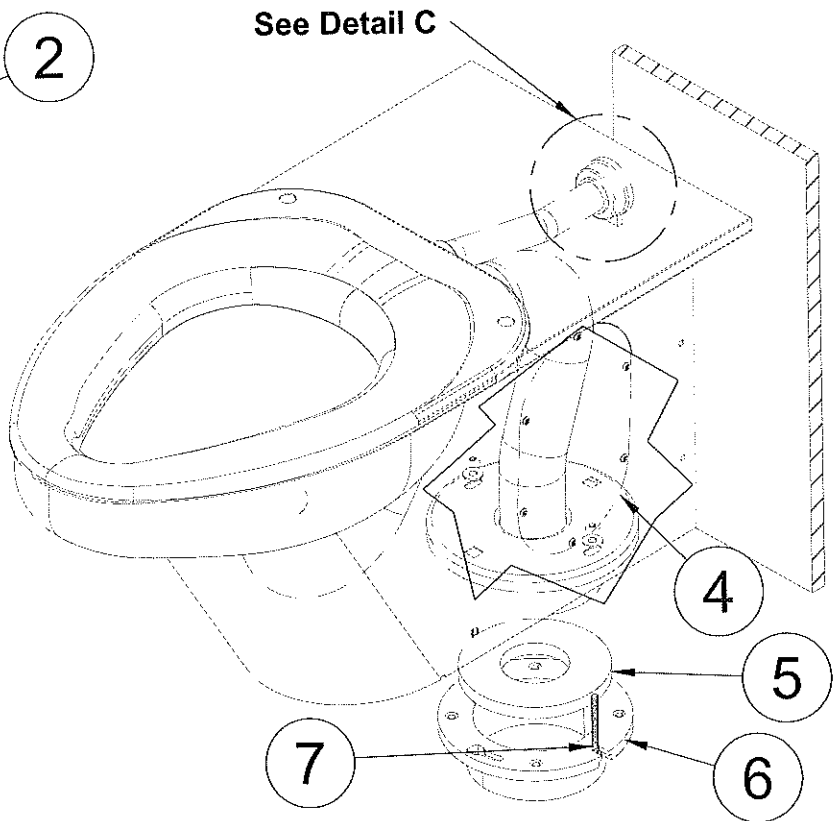
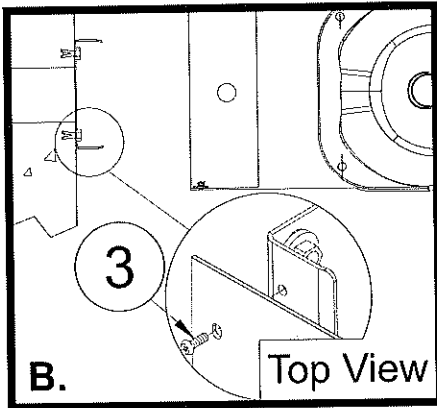
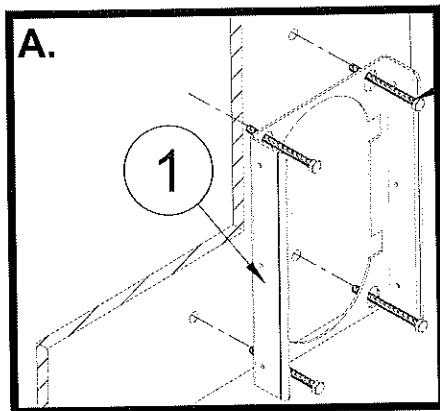


Dimension A-
Refer to Specified Floor Waste Model:
Standard and ADA models are offered
either 10" [254], or 12" [305]
dimensions from Finished Wall.

- [1] 7-1/2" Recessed Gasket Flange (Flush with bottom of fixture for connection to Closet Flange)
- [2] 1" NPT Female Flush Valve Supply Inlet
- [3] 5/8" Dia. Openings provided for Mounting to required Wall Anchors and/or Wall Backing.



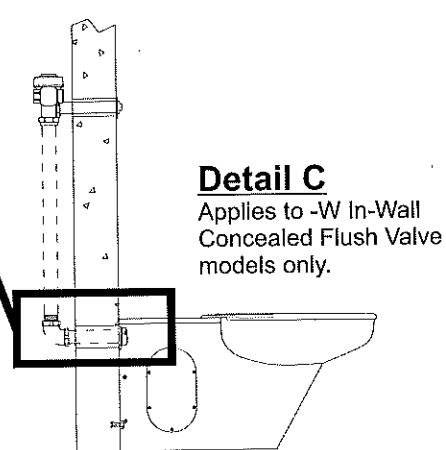
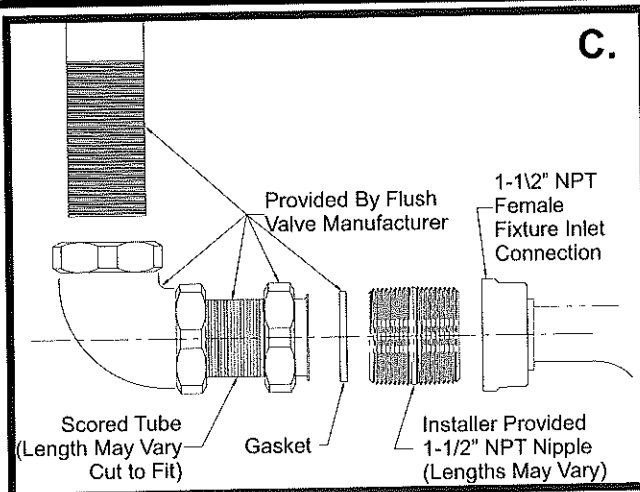
INSTALLATION DETAILS



INSTALLATION

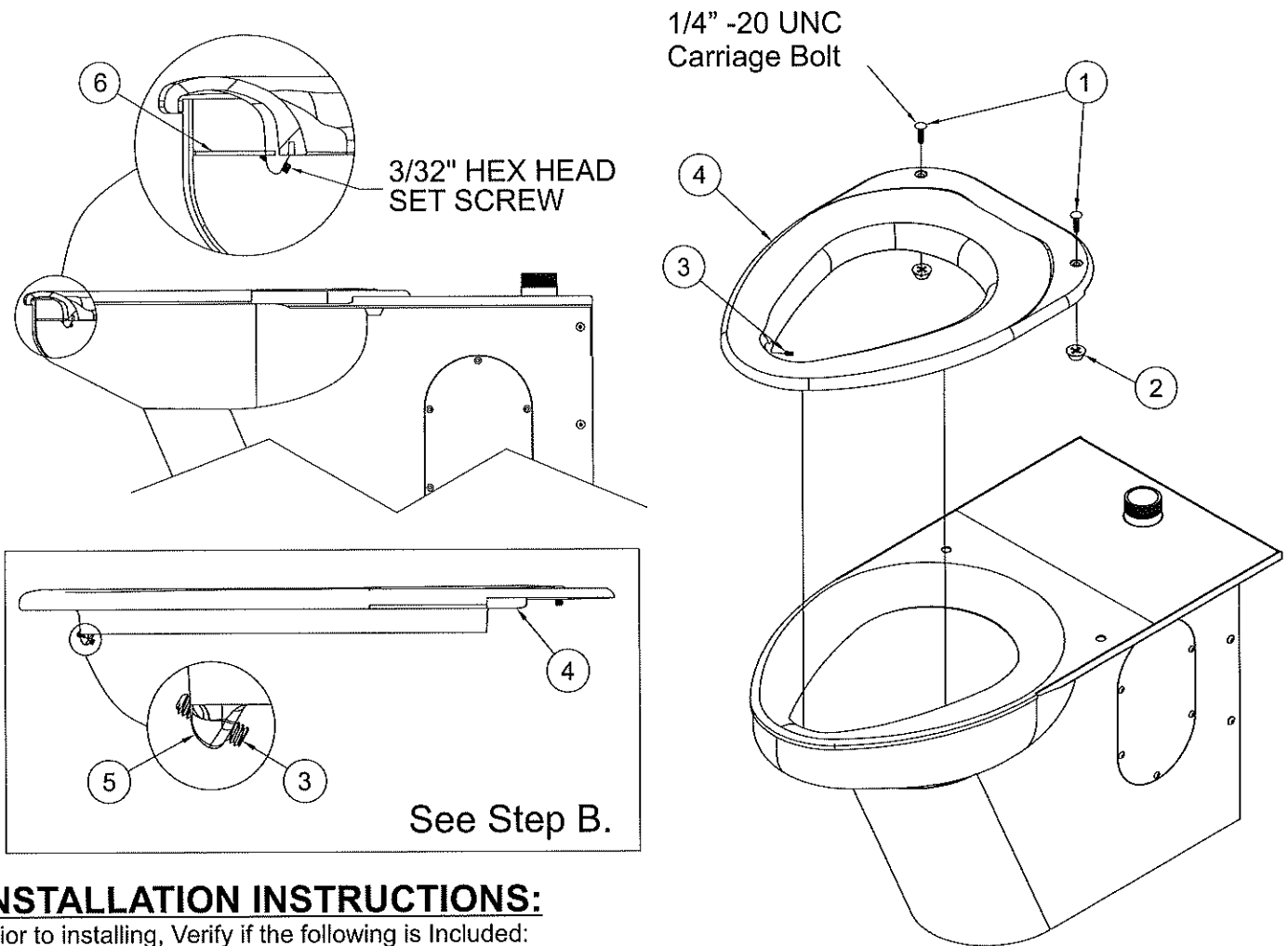
- A. Position Mounting Channel [1] onto fixture side of Reinforced Wall locating as indicated. Wall Anchors and Fasteners [2] are by others. **See Detail A.**
- B. Place Toilet up against wall. Attach toilet housing to Mounting Channel [1] using 1/4-20 Screws [3]. **Detail B.**
- C. Remove Access Panel and Fasteners [4] make up toilet waste connection.
- D. Install Flush Valve to fixture as required per manufacture's recommendations.

- [1] Mounting Channel (Provided)
- [2] Wall Mounting Hardware (By Others)
- [3] 1/4-20 Screws
- [4] Access Panel and 1/4"-20 Fasteners
- [5] Appropriate Toilet Gasket (By Others)
- [6] Closet Flange Connection to Waste (By Others)
- [7] Closet Flange Hardware (By Others)





PLASTIC SEAT INSTALLATION



INSTALLATION INSTRUCTIONS:

Prior to installing, Verify if the following is Included:

Carriage Bolts [1], Tapered Nuts [2], Front Set Screw [3], and Toilet Seat [4].

- A. Partially install Front Set Screw [3] into the Mounting Tab [5] located at the front of the Toilet Seat [4]. Set Screw [3] should not pass beyond Mounting Tab [5].
- B. Position the Toilet Seat [4] onto Toilet, and press down firmly.
- C. Fasten the Toilet Seat [4] to the Toilet by using the Carriage Bolts [1] on top of the Toilet Seat [4] and tighten by installing the Tapered Nuts [2] from the underside of the Toilet rim.
- D. With Toilet Seat [4] Fastened, pressed downward on Toilet Seat [4] and tighten the Front Set Screw [3] until it firmly engages under the Flushing Rim [6].

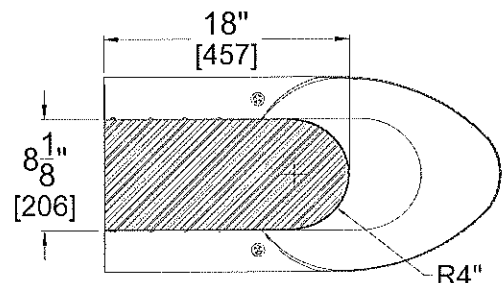
NOTE: If Toilet Seat has Hole Plugs, remove them prior to installing Toilet.

SLOPING FLOORS:

When required for sloping floors, refer to **detail** to create a level pad for on-floor Toilet Housing.

IMPORTANT:

Sloping floor detail is provided for reference only and should not be considered as a recommendation by the fixture manufacturer. Installer assumes all responsibility to alterations of site conditions and affected fixture dimensions.



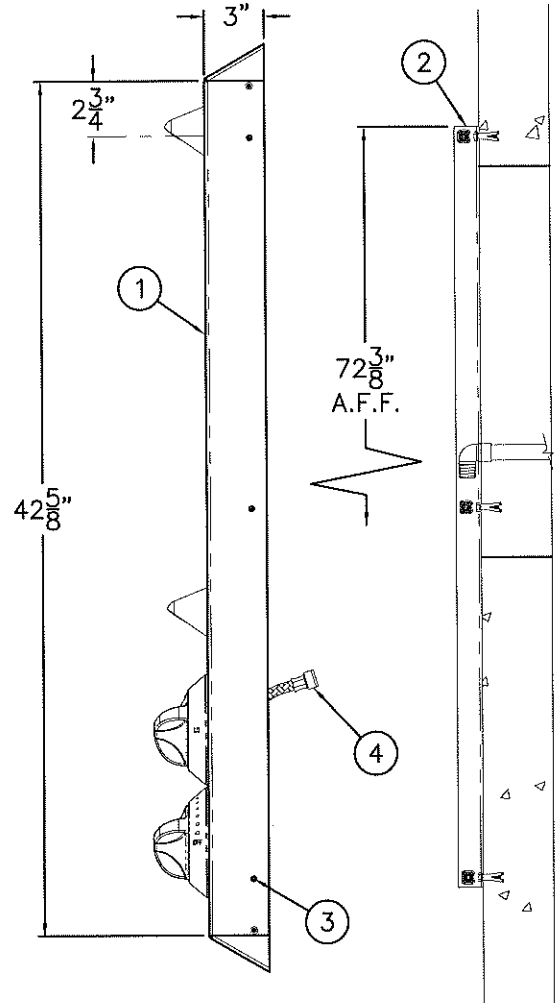
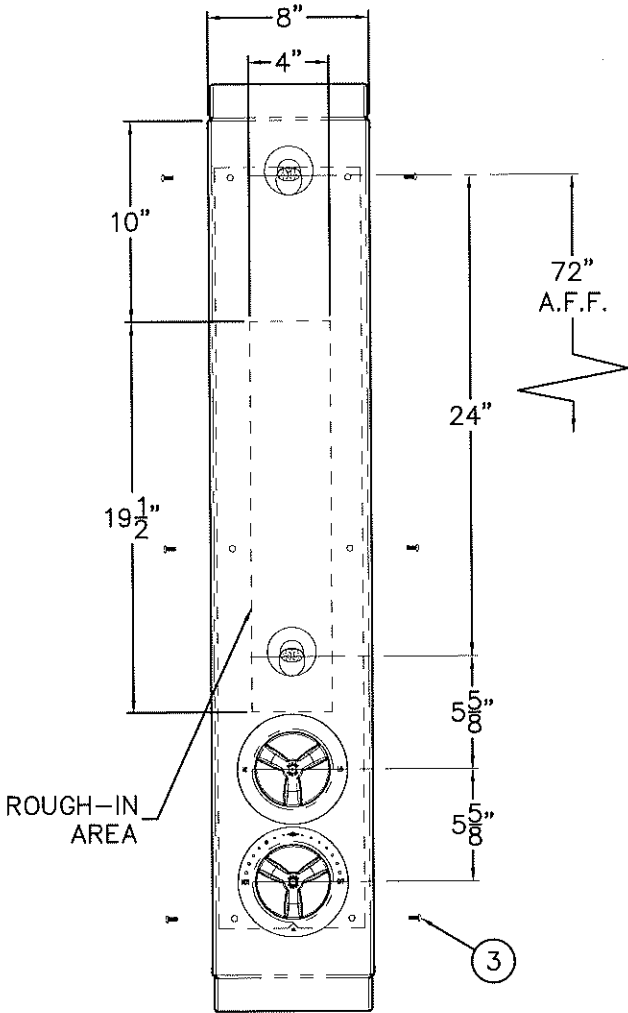
SH-1 SHOWER



REFERENCE DRAWINGS

TEMPERATURE ADJUSTMENT	9900-007-W01
------------------------	--------------

NOTE:
 MAXIMUM RECOMMENDED WORKING PRESSURE IS 125 PSI.
 MAXIMUM INLET WATER TEMPERATURE IS 180° F.
 OUTLET IS TEMPERATURE FACTORY SET AT A 110° F.



WARNING:

PRIOR TO COMPLETING INSTALLATION SUPPLY LINES MUST BE FLUSHED OF ALL FOREIGN MATERIAL SUCH AS PIPE DOPE, CHIPS, SOLDER, ETC. VALVE MUST BE DRAINED PRIOR TO BEING SUBJECTED TO FREEZING TEMPERATURES.

INSTALLATION INSTRUCTIONS:

- A- DISASSEMBLE SHOWER HOUSING ASSEMBLY ① FROM WALL MOUNTING FRAME ② BY REMOVING VANDAL RESISTANT SCREWS ③ FROM THE HOUSING.
- B- INSTALL MOUNTING FRAME ② AT DESIRED HEIGHT AND ANCHOR FRAME TO WALL USING HARDWARE BY OTHERS.
- C- PROVIDE SUPPLY ROUGH-INS IN THE AREA INDICATED. THOROUGHLY FLUSH SUPPLY LINES.

- D- MAKE UP SUPPLY CONNECTIONS TO 1/2" NPS HOSE END INLETS ④ WHILE SUPPORTING HOUSING OFF THE FLOOR. NOTE: SUPPLY INLET CONNECTION WILL ACCOMMODATE A 1/2" NPT MALE ADAPTER.
- E- ASSEMBLE THE SHOWER HOUSING ① TO THE MOUNTING FRAME ② USING SCREWS PROVIDED.



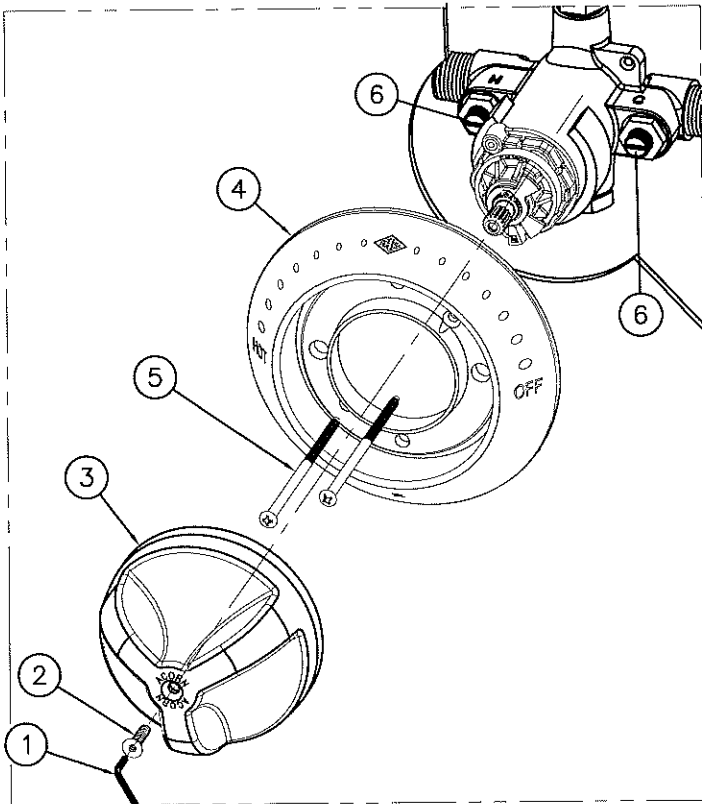
WHITEHALL MANUFACTURING
 P.O. BOX 3527 Industry, CA 91744
 15125 Proctor Ave Industry, CA 91746
 (626) 968-6681 FAX (626) 855-4862

TITLE **LIGATURE RESISTANT SURFACE MOUNTED SHOWER *WH458-FH-CSH**

MANUFACTURE DATE
AUGUST 2014
TO PRESENT

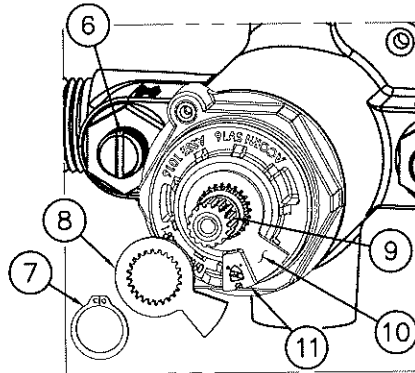
DATE ISSUED
08/22/14
 DATE REVISED

DRAWING NUMBER
9918-038-001

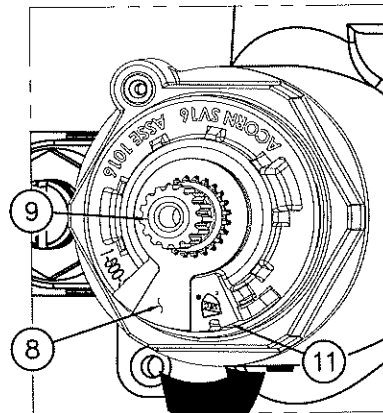


DETAIL A

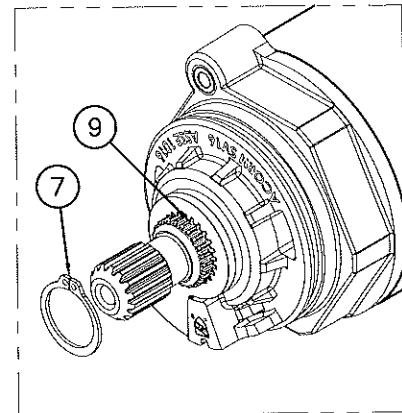
REFERENCE DRAWINGS	
ASSEMBLIES	NUMBER
T/P VALVE	9975-005-W02



DETAIL B



DETAIL C



DETAIL D

INSTRUCTIONS:

SEE DETAIL A

A—REMOVE TRI-LEVER HANDLE TRIM: SEE DETAIL A

- a—USING CENTER REJECT ALLEN WRENCH ① REMOVE HANDLE SCREW ② AND HANDLE ③.
- b—REMOVE ESCUTCHEON ④ BY REMOVING SCREWS ⑤.

TEMPERATURE ADJUSTMENT:

- B—ENSURE MAIN WATER SUPPLY IS ON.
- C—ENSURE CHECK STOPS ⑥ ARE OPEN.
- D—ENSURE VALVE IS IN THE OFF POSITION.
- E—USING SNAP RING PLIERS REMOVE RETAINING RING ⑦ AND THE FIRST TEMPERATURE LIMIT WASHER ⑧ ONLY FROM VALVE STEM ⑨. SEE DETAIL B.

NOTE: IF SECOND TEMPERATURE LIMIT WASHER ⑩ COMES OFF, RESETTING OF THE OFF STOP MAY BE REQUIRED, KEY AS CLOSE AS POSSIBLE ON THE COUNTER-CLOCKWISE SIDE OF BONNET STOP ⑪. USING HANDLE ③ SLIGHTLY OPEN AND CLOSE VALVE TO ENSURE WATER WILL SHUT OFF. DETAIL B.

TEMPERATURE ADJUSTMENT, CONTINUED:

- F—USING HANDLE ③ TURN VALVE STEM ⑨ COUNTER-CLOCKWISE TO INCREASE HOT, CHECKING OUTLET TEMPERATURE UNTIL DESIRED TEMPERATURE IS REACHED, (RECOMMENDED 105° TO 110°). SLIDE FIRST TEMPERATURE LIMIT WASHER ⑧ OVER VALVE STEM ⑨ AND ENSURE SIDE OF WASHER RESTS AS CLOSE AS POSSIBLE TO CLOCKWISE SIDE OF BONNET LIMIT STOP ⑪. DETAIL C.
- G—WITH VALVE IN THE "ON" POSITION AND WATER RUNNING, USING SNAP RING PLIERS INSTALL RETAINING RING ⑦. ENSURE RETAINING RING ⑦ IS INSERTED PROPERLY INTO GROOVE ON VALVE STEM ⑨. DETAIL D.
- H—REINSTALL TRIM IN REVERSE ORDER.



WHITEHALL MANUFACTURING
P.O. BOX 3527 Industry, CA 91744
15125 Proctor Ave Industry, CA 91746
(626) 968-6681 FAX (626) 855-4862

TITLE **T/P TEMP/PRESS BALANCING MIXING VALVE - TEMPERATURE ADJUSTMENT**

MANUFACTURE DATE
AUGUST 2014
PRESENT

DATE ISSUED
08/20/14
DATE REVISED
09/01/16 A

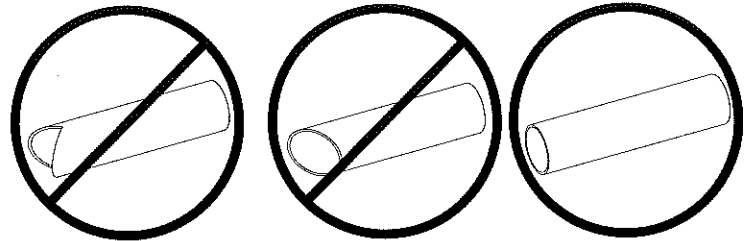
DRAWING NUMBER
9900-007-W01



PUSH-IN FITTING INSTALLATION:

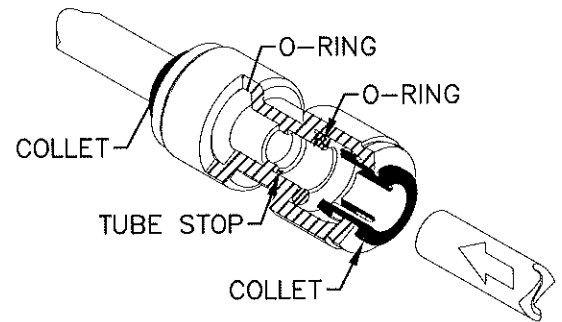
NOTE: FITTING AND TUBE SHOULD BE KEPT CLEAN, BAGGED AND UNDAMAGED PRIOR TO INSTALLATION.

Cut to fit length of 1/4" PE tubing and any burrs or sharp edges. Ensure that the outside diameter is free from score marks. Tube ends should be square.

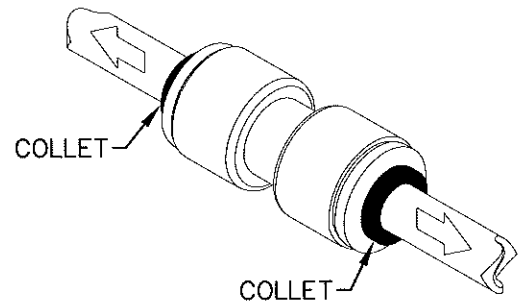


INSERTING THE TUBE:

1. Firmly and fully insert the tubing end into the push-in fitting up to the tube stop located approximately 1/2" deep.

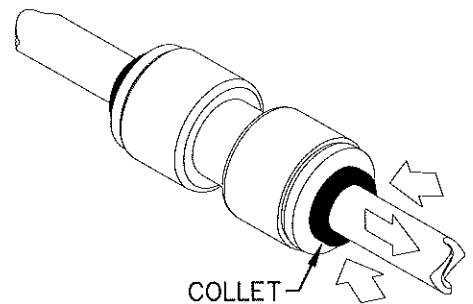


2. Pull on the fitted tubing to ensure it is secure. Tube should not come free from the fitting. Water test the connection assembly prior to leaving the site to ensure there are no leaks.



DISCONNECTING THE TUBE:

To disconnect the tube from the fitting ensure that the water is depressurized. Push collet square towards the push-in fitting body and hold. While holding the collet in, pull on the PE tubing to remove from the push-in fitting.



WHITEHALL MANUFACTURING
P.O. BOX 3527 Industry, CA 91744
15125 Proctor Ave Industry, CA 91746
(826) 968-6681 FAX (826) 855-4882

TITLE **PUSH-IN FITTING INSTALLATION**

MANUFACTURE DATE
**OCTOBER 2013
TO PRESENT**

DATE ISSUED
10/15/13
DATE REVISED

DRAWING NUMBER
9905-005-001

Transmittal

PROJECT: New Dormitories - Phase 2, Bldg. 6
Booneville Human Development Center
Booneville, Arkansas

SMA PROJECT NO: 2002B

DATE: January 24, 2023

TO: Alessi Keyes Construction
10623 Maumelle Blvd.
North Little Rock, AR 72113

If enclosures are not as noted, please
inform us immediately.

If checked below, please:

ATTN: Charley Dawson

Acknowledge receipt of enclosures.

Return enclosures to us.

WE TRANSMIT:

Herewith Under separate cover

VIA:

Courier Mail E-mail
 Overnight delivery Fax Other

FOR YOUR:

Approval/Action Information Use as requested
 Review & comment Use Other

THE FOLLOWING:

Drawings Specifications Digital Files - PDF
 Submittals Proposal Request Digital Files - Other
 Change Order Samples Other

COPIES	DATE	REV. NO.	DESCRIPTION	ACTION CODE
1	1/24/2023		Security Fixtures	B

ACTION CODE A. No action required B. Action indicated on item transmitted C. For signature and return to this office D. For signature and forwarding as noted below under REMARKS E. See REMARKS below

REMARKS

COPIES TO: Rex Morris, Morris AE	(with enclosures)	<input checked="" type="checkbox"/>
		<input type="checkbox"/>
		<input type="checkbox"/> By: Trey Tassin

Submittal Comment Sheet

To: Randy Stocks, Stocks-Mann Architects
From: Rob Adams, BTME
Date: January 23, 2023
Project: Booneville HDC New Building #6
Project #: 01-20-0003
Ref: 22 46 00 Security Plumbing Fixtures Submittal
Submitted By: Alessi Keyes Construction

APPROVED	<input type="checkbox"/>
REJECTED	<input type="checkbox"/>
REVISE AND RESUBMIT	<input type="checkbox"/>
REFER TO SUBMITTAL COMMENT SHEET	<input checked="" type="checkbox"/>

This review performed by Bernhard TME, LLC, is only for general conformance with the design concept of the project and general compliance with the information provided in the Contract Documents. Corrections or comments made on the submittal and/or shop drawings during this review do not relieve the Contractor from compliance with the requirements of the plans, specifications, and other contract documents. Approval of a specific item shall not indicate an approval of an assembly of which the item is a component. Contractor is responsible for the following: all quantities; configuration of components; dimensions to be confirmed and correlated at the jobsite; information that pertains solely to the fabrication process or to the means, methods, techniques, sequences, and procedures of construction; coordination of the work with that of all other trades; and, for performing all work in a safe and satisfactory manner.

Bernhard TME

DATE: 01/23/23 BY: R. Adams

Below find our response for the submittal received on Wednesday January 18, 2023.

- | | |
|--|----------------------------|
| 1. WC-1 | APPROVED |
| a. WC-2 | APPROVED |
| 2. WC 1 & WC 2 Starter Fittings | REJECTED |
| a. Not required for floor outlet water closets. | |
| 3. SH-1 | APPROVED |
| 4. SH-2 | APPROVED |

- End of Submittal Comments -

THIS REVIEW PERFORMED BY BERNHARD TME, LLC, IS ONLY FOR GENERAL CONFORMANCE WITH THE DESIGN CONCEPT OF THE PROJECT AND GENERAL COMPLIANCE WITH THE INFORMATION PROVIDED IN THE CONTRACT DOCUMENTS. CORRECTIONS OR COMMENTS MADE ON THE SUBMITTAL AND/OR SHOP DRAWINGS DURING THIS REVIEW DO NOT RELIEVE THE CONTRACTOR FROM COMPLIANCE WITH THE REQUIREMENTS OF THE PLANS, SPECIFICATIONS, AND OTHER CONTRACT DOCUMENTS. APPROVAL OF A SPECIFIC ITEM SHALL NOT INDICATE AN APPROVAL OF AN ASSEMBLY OF WHICH THE ITEM IS A COMPONENT. CONTRACTOR IS RESPONSIBLE FOR THE FOLLOWING: ALL QUANTITIES; CONFIGURATION OF COMPONENTS; DIMENSIONS TO BE CONFIRMED AND CORRELATED AT THE JOBSITE; INFORMATION THAT PERTAINS SOLELY TO THE FABRICATION PROCESS OR TO THE MEANS, METHODS, TECHNIQUES, SEQUENCES, AND PROCEDURES OF CONSTRUCTION; COORDINATION OF THE WORK WITH THAT OF ALL OTHER TRADES; AND, FOR PERFORMING ALL WORK IN A SAFE AND SATISFACTORY MANNER.



SUBMITTAL SHEET

Alessi Keyes Construction Co.
AKC-505 - Booneville HDC New Dorm

Project: AKC-505
Booneville HDC New Dorm

Spec Section Num: 22 46 00
Submittal: 22.18
Revision: 0
Package: Plumbing
Date: 1/19/2023 UTC

Submittal Title: Security Plumbing Fixtures
Submittal Detail:
Response Due By: 2/15/2023 UTC

Contractor:
Charley Dawson
Alessi-Keyes Construction Co.

Contractor's Stamp

Architect:
Trey Tassin
Stocks-Mann Architects

Architect's Stamp

Response:
Comment:

WC-1 WATER CLOSET
WHITEHALL WH2142-ADA-W-3-EGE10-12
LIGATURE- RESISTANT ELONGATED TOILET
BOWL, FLOOR OUTLET AND EXTERIOR
WHITE ENVIRO-GLAZE
WHITEHALL WH2898-ADA-1.6 ADA RECESSED ACCESS PANEL
WITH WHITE ENVIRO-GLAZE HYDRAULIC FLUSH VALVE



Whitehall Manufacturing®
 Manufacturer of Healthcare and Rehabilitation Products since 1946

BestCare®
 Patients, Not Prisoners®

Healthcare and Ligature Resistant Products

Division of
 Acorn Engineering Company®

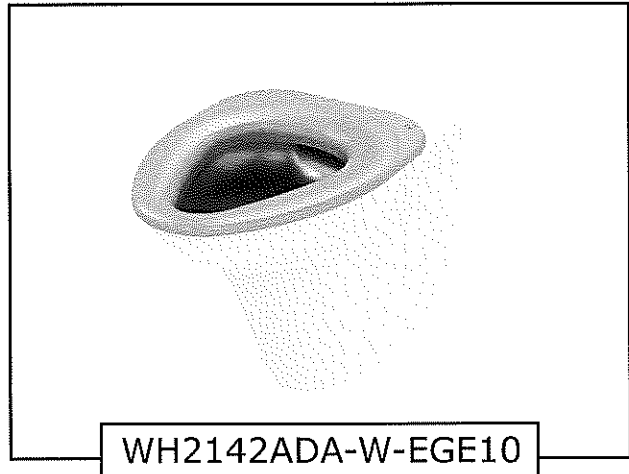


A MEMBER OF



Whitehall Ligature Resistant Siphon Jet Toilet

Model WH2142-ADA-W-EGE10
 (Wall Supply)



WH2142ADA-W-EGE10

Ligature Resistant Siphon Jet Toilet - ADA 2010 Compliant

Ligature Resistant Siphon Jet Toilet is arranged to be installed against a finished wall from the front side with a fixture-to-wall mounting channel. Unit is fabricated from 16 gage, type 304 stainless steel and is seamless welded construction with exterior surfaces powder coated white (interior of toilet will have a satin finish and will not be powder coated). Toilet will be provided with WH-LRSC-GRAY Ligature Resistant ABS Toilet Seat Cover.

Toilet is siphon jet type with an elongated bowl manufactured to comply with ASME A112.19.3, CSA B45.4 and 2010 ADA Standards for Accessible Design. Toilet requires a minimum of 25 PSI flow pressure and uses a minimum water consumption of 1.28 GPF. On-floor units can withstand load rating of 5000 lbs. without permanent damage. Trap has a minimum 3-1/2" seal, will pass a 2-1/8" ball and is fully enclosed. Toilet has a 1-1/2" NPT flushing inlet connection. Wall waste outlet connection is a 5-1/2" gasket flange. Floor waste outlet locations from rear of fixture are 10" or 12" with a 7-1/2" gasket flange.

Optional Hydraulic Flush Valve is concealed type with cast bronze body. Flush valve supply is available in 1.28 GPF and 1.6 GPF. All exposed parts are polished chrome plated.

GUIDE SPECIFICATION

Provide and install Whitehall Best-Care™ Ligature Resistant ADA 2010 Compliant Toilet (specify model number and options). Fixture shall be fabricated from 16 gage, type 304 stainless steel. On-floor units can withstand load rating of 5000 lbs. without permanent damage. Construction shall be seamless welded and exterior surfaces are powder coated white. Housing to include side access panels. Toilet shall be concealed siphon jet type with an elongated bowl and self-draining flushing rim. Toilet shall be ASME A112.19.3, CSA B45.4, and ADA 2010 compliant. Toilet requires a minimum of 25 PSI flow pressure and uses a minimum water consumption of 1.28 GPF. Toilet trap shall have a minimum 3-1/2" seal and shall pass a 2-1/8" diameter ball and is fully enclosed. Provided with WH-LRSC-GRAY Ligature Resistant ABS Toilet Seat Cover.

• **Patented US 10,052,000 B2**

Please visit www.whitehallmfg.com for most current specifications.



Member of
 U.S. Green
 Building
 Council



Recyclable
 Product



Water
 Conserving
 Product

Complies
 with the
 following
 standards:



GREEN
 UPC



WaterSense
 Meets EPA Criteria

Whitehall Mfg. • P.O. Box 3527 • City of Industry, CA 91744 • (800) 782-7706 • (626) 968-6681 • Fax (626) 855-4862

WH2142-ADA-W

Revised: 12/03/21



MODEL NUMBER AND OPTIONS SELECTION:

BASE MODEL NUMBER

- WH2142-ADA-W-2-EGE10 Wall Outlet, Siphon Jet Toilet
- WH2142-ADA-W-3-EGE10_10 Floor Outlet, Siphon Jet Toilet (10" rough-in from wall to the center of waste outlet)
- WH2142-ADA-W-3-EGE10_12 Floor Outlet, Siphon Jet Toilet (12" rough-in from wall to the center of waste outlet)

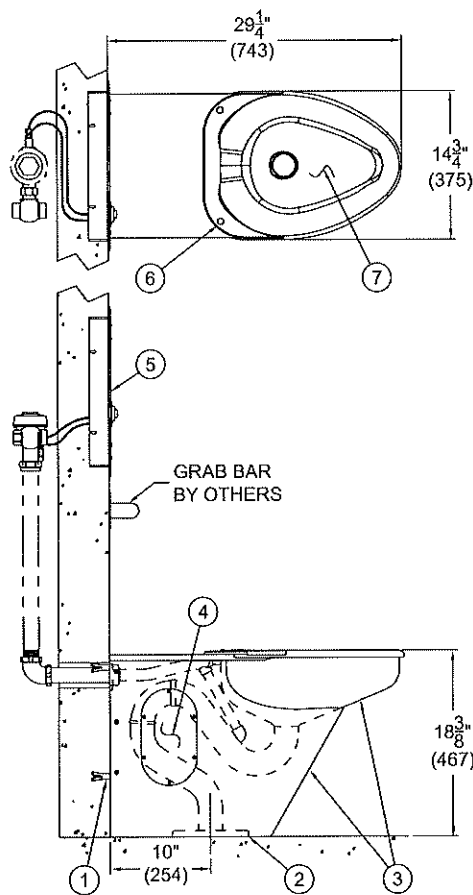
Optional Flush Valve:

- HET 1.28 Hydraulic GPF
- ULF 1.6 Hydraulic GPF

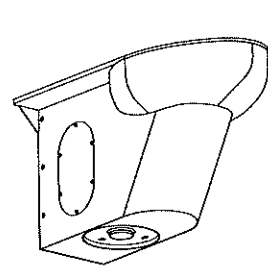
Accessories:

Note: Gray Ligature Resistant Seat Cover is Standard

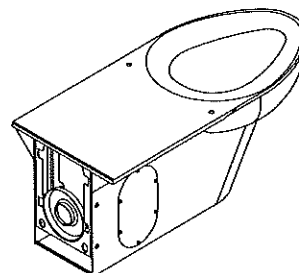
- WH-LRSC-WHITE Ligature Resistant Seat Cover, White (Shipped Loose)
- WH-LRSC-BLACK Ligature Resistant Seat Cover, Black (Shipped Loose)
- WH-LRSC-BLUE Ligature Resistant Seat Cover, Dignity Blue (Shipped Loose)



MODEL# WH2142-ADA-W-3_10 SHOWN



FLOOR WASTE
 MODEL #WH2142-ADA-W-3



WALL WASTE
 MODEL #WH2142-ADA-W-2

IMPORTANT!
 TOILETS ARE SUPPORTED ON THE FLOOR AND BOLT TO REINFORCED WALL. FIXTURES ARE NOT INTENDED FOR USE WITH TOILET CARRIERS.

NOTES:

1. WALL MOUNTING HARDWARE BY OTHERS
2. -3, FLOOR WASTE OUTLET SHOWN
3. EXTERIOR SURFACES POWDER COATED WHITE
4. ACCESS PANELS (BOTH SIDES)
5. WH2898-ADA FLUSH VALVE ACCESS PANEL w/ HYDRAULIC FLUSH VALVE SHOWN
6. WH-LRSC-GRAY WHITEHALL LIGATURE RESISTANT ABS TOILET SEAT COVER
7. INTERIOR OF TOILET w/ SATIN FINISH (NOT POWDER COATED)

DISCLAIMER:

This product is designed to decrease the probability that it may be utilized as an apparatus for ligature. It is not a replacement for professionals who are trained in the proper evaluation, management and supervision of persons at risk of suicide.

⚠ WARNING: Cancer and Reproductive Harm - www.P65Warnings.ca.gov

SELECTION SUMMARY & APPROVAL FOR MANUFACTURING

Model Number & Options _____ Quantity _____
 Company _____ Date _____
 Contact _____ Title _____
 Approval for Manufacturing/Signature _____

All dimensions are nominal and subject to manufacturer's change without notice. Whitehall assumes no responsibility for use of void or superseded data © Whitehall Manufacturing, Member of Morris Group International. Please visit www.whitehallmfg.com for most current specifications.



Whitehall Manufacturing®
Manufacturer of Healthcare and Rehabilitation Products since 1946

BestCare®
Patients, Not Prisoners®

**Healthcare and Ligature
Resistant Products**

Division of
Acorn Engineering Company®

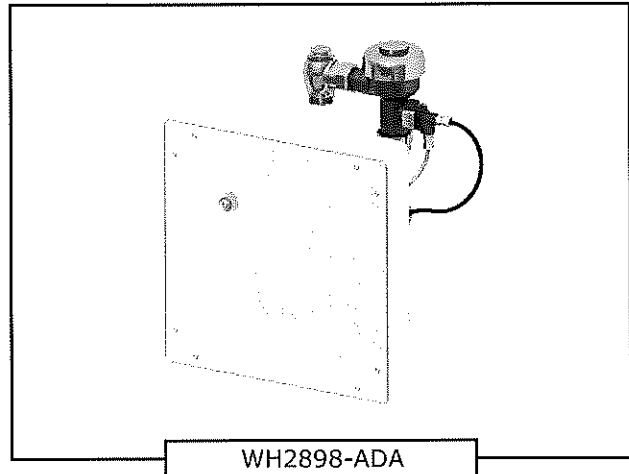


A MEMBER OF



Whitehall Ligature Resistant Flush Valve Access Panel with Hydraulic Flush Valve

Model WH2898-ADA



Ligature Resistant Flush Valve Access Panel with Hydraulic Flush Valve

Recommended for traditional (non-ADA) or ADA compliant** toilets and Urinals with wall supply (concealed) flush valve connections where vandalism and ligature resistance is a concern.

Hydraulic Flush Valve provided is a concealed type with cast bronze body. Flush valve features quiet operation and includes a suicide resistant pushbutton, union angle stop and vacuum breaker.

Flush Valve Access Panel is 16 gage, type 304 stainless steel with all exposed surfaces powder coated white. It is furnished with vandal resistant screws.

GUIDE SPECIFICATION

Provide and install Ligature Resistant Flush valve cover with flush valve. Flush valve access panel fabricated from 16 gage type 304 stainless steel. All exposed stainless steel surfaces are powder coated white. Flush valve provided shall be hydraulic, pushbutton operated with access cover and secured with stainless steel vandal resistant fasteners. Wall anchors and anchoring hardware by others.

****IMPORTANT:**

Refer to Whitehall Model WH2898D series for ADA in-wall Flush Valve applications incorporating Closure Plate Grab Bars.

Interference may occur when WH2898-ADA unit is used with Closure Plate Grab Bar styles affecting location of Access Panel.

Please visit www.whitehallmfg.com
for most current specifications.



Member of
U.S. Green
Building
Council



Recyclable
Product



Water
Conserving
Product

Whitehall Mfg. • P.O. Box 3527 • City of Industry, CA 91744 • (800) 782-7706 • (626) 968-6681 • Fax (626) 855-4862

WH2898-ADA

Updated: 04/12/22



MODEL AND OPTIONS SELECTION:

BASE MODEL NUMBER

TOILET

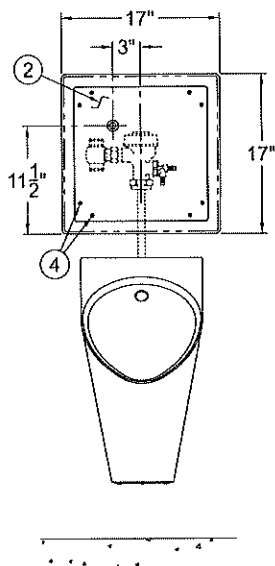
- WH2898-ADA-EG10-1.28 Ligature Resistant Flush Valve Cover With 1.28 GPF Hydraulic Flush Valve (White)
- WH2898-ADA-EG10-1.6 Ligature Resistant Flush Valve Cover With 1.6 GPF Hydraulic Flush Valve (White)

URINAL

- WH2898-ADA-EG10-0.5 Ligature Resistant Flush Valve Cover With 0.5 GPF Hydraulic Flush Valve (White)
- WH2898-ADA-EG10-0.125 Ligature Resistant Flush Valve Cover With 0.125 GPF Hydraulic Flush Valve (White)

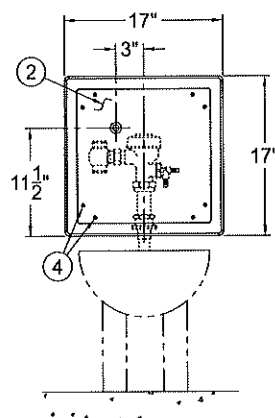
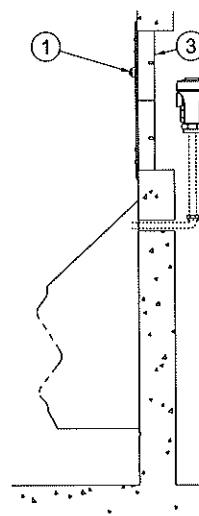
LESS FLUSH VALVE AND PUNCH

- WH2898-BLANK Ligature Resistant Access Cover Only



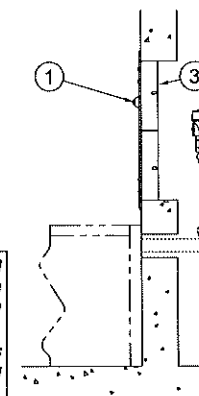
- Notes:
1. Hydraulic Flush Valve Pushbutton
 2. Access Panel
 3. Mounting Frame
 4. Vandal Resistant Fasteners

MODEL# WH2898-ADA
 Shown with Urinal For Reference



MODEL# WH2898-ADA
 Shown with non-ADA Toilet for Reference

****IMPORTANT:** Refer to Whitehall Model WH2898D series for ADA in-wall Flush Valve applications incorporating Closure Plate Grab Bars. Interference occurs when WH2898-ADA unit is used with Closure Plate Grab Bar styles affecting location of Access Panel.



All dimensions are nominal and subject to manufacturer's change without notice. Whitehall assumes no responsibility for use of void or superseded data. © Whitehall Manufacturing, Member of Morris Group International. Please visit www.whitehallmfg.com for most current specifications.

⚠ WARNING: Cancer and Reproductive Harm - www.P65Warnings.ca.gov

DISCLAIMER:

This product is designed to decrease the probability that it may be utilized as an apparatus for ligature. It is not a replacement for professionals who are trained in the proper evaluation, management and supervision of persons at risk of suicide.

SELECTION SUMMARY & APPROVAL FOR MANUFACTURING

Model Number & Options _____ Quantity _____
 Company _____ Date _____
 Contact _____ Title _____
 Approval for Manufacturing/Signature _____

WC-2 WATER CLOSET
WHITEHALL WH2142-W-3-EGE10-12
LIGATURE- RESISTANT ELONGATED TOILET
BOWL, FLOOR OUTLET AND EXTERIOR
WHITE ENVIRO-GLAZE
WHITEHALL WH2898-ADA-1.6 ADA RECESSED ACCESS PANEL
WITH WHITE ENVIRO-GLAZE HYDRAULIC FLUSH VALVE



Whitehall Manufacturing®
 Manufacturer of Healthcare and Rehabilitation Products since 1946

BestCare®
 Patients, Not Prisoners®

**Healthcare and Ligature
 Resistant Products**

Division of
 Acorn Engineering Company®

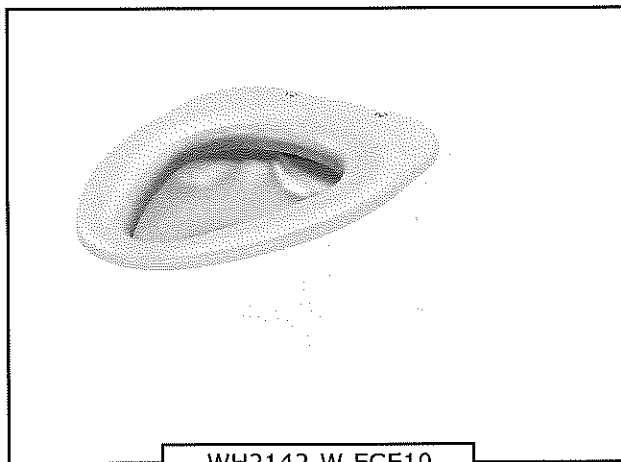


A MEMBER OF



Whitehall Ligature Resistant Siphon Jet Toilet

Model WH2142-W-EGE10
 (Wall Supply)



WH2142-W-EGE10

Ligature Resistant Siphon Jet Toilet

Ligature Resistant Siphon Jet Toilet is arranged to be installed against a finished wall from the front side with a fixture-to-wall mounting channel. Unit is fabricated from 16 gage, type 304 stainless steel and is seamless welded construction with exterior surfaces powder coated white (interior of toilet will have a satin finish and will not be powder coated). Toilet will be provided with WH-LRSC-GRAY Ligature Resistant ABS Toilet Seat Cover.

Toilet is siphon jet type with an elongated bowl manufactured to comply with ASME A112.19.3 and CSA B45.4 standards. Toilet requires a minimum of 25 PSI flow pressure and uses a minimum water consumption of 1.28 GPF. On-floor units can withstand load rating of 5000 lbs. without permanent damage. Trap has a minimum 3-1/2" seal, will pass a 2-1/8" ball and is fully enclosed. Toilet has a 1-1/2" NPT flushing inlet connection. Wall waste outlet connection is a 5-1/2" gasket flange. Floor waste outlet locations from rear of fixture are 10" or 12" with a 7-1/2 gasket flange.

Optional Flush Valve is concealed type with cast bronze body. Flush valve supply is available in 1.28 GPF and 1.6 GPF. All exposed parts are chrome plated.

GUIDE SPECIFICATION

Provide and install Whitehall Best-Care™ Ligature Resistant Toilet (specify model number and options). Fixture shall be fabricated from 16 gage, type 304 stainless steel. On-floor units can withstand load rating of 5000 lbs. without permanent damage. Construction shall be seamless welded and exterior surfaces are powder coated white. Housing to include side access panels. Toilet shall be concealed siphon jet type with an elongated bowl and self-draining flushing rim. Toilet shall be ASME A112.19.3 and CSA B45.4 compliant. Toilet requires a minimum of 25 PSI flow pressure and uses a minimum water consumption of 1.28 GPF. Toilet trap shall have a minimum 3-1/2" seal and shall pass a 2-1/8" diameter ball and is fully enclosed. Provided with WH-LRSC-GRAY Ligature Resistant ABS Toilet Seat Cover.

• Patented US 10,052,000 B2

Please visit www.whitehallmfg.com for most current specifications.



Member of
 U.S. Green
 Building
 Council



Recyclable
 Product



Water
 Conserving
 Product

Complies
 with the
 following
 standards:



Whitehall Mfg. • P.O. Box 3527 • City of Industry, CA 91744 • (800) 782-7706 • (626) 968-6681 • Fax (626) 855-4862

WH2142-W

Revised: 12/03/21



MODEL NUMBER AND OPTIONS SELECTION:

BASE MODEL NUMBER

- WH2142W-2-EGE10 Wall Outlet, Siphon Jet Toilet
- WH2142W-3-EGE10_10 Floor Outlet, Siphon Jet Toilet (10" rough-in from wall to the center of waste outlet)
- WH2142W-3-EGE10_12 Floor Outlet, Siphon Jet Toilet (12" rough-in from wall to the center of waste outlet)

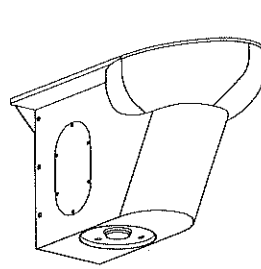
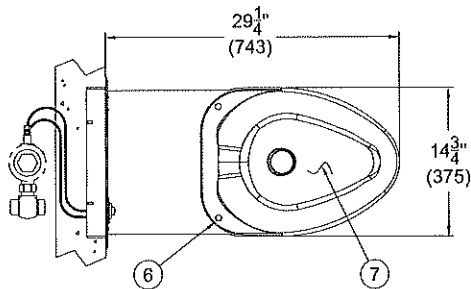
Optional Flush Valve:

- HET 1.28 GPF
- ULF 1.6 GPF

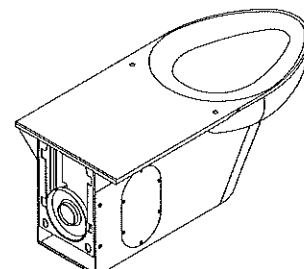
Accessories:

Note: Gray Ligature Resistant Seat Cover is Standard

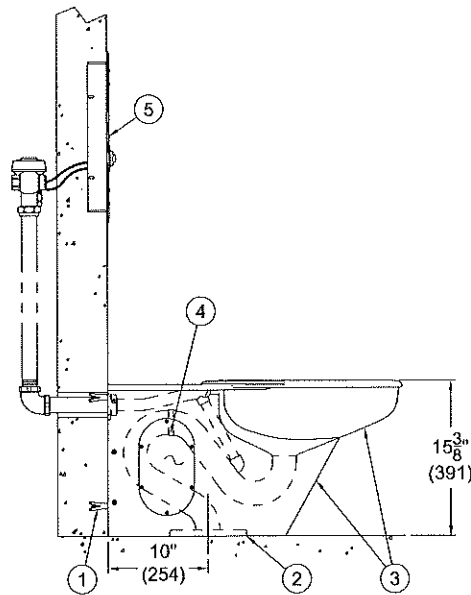
- WH-LRSC-WHITE Ligature Resistant Seat Cover, White (Shipped Loose)
- WH-LRSC-BLACK Ligature Resistant Seat Cover, Black (Shipped Loose)
- WH-LRSC-BLUE Ligature Resistant Seat Cover, Dignity Blue (Shipped Loose)



FLOOR WASTE
 MODEL #WH2142-W-3



WALL WASTE
 MODEL #WH2142-W-2



MODEL# WH2142-W-3_10 SHOWN

IMPORTANT!
 TOILETS ARE SUPPORTED ON THE FLOOR AND BOLT TO REINFORCED WALL. FIXTURES ARE NOT INTENDED FOR USE WITH TOILET CARRIERS.

NOTES:

1. WALL MOUNTING HARDWARE BY OTHERS
2. -3, FLOOR WASTE OUTLET SHOWN
3. EXTERIOR SURFACES POWDER COATED WHITE
4. ACCESS PANELS (BOTH SIDES)
5. WH2898-ADA FLUSH VALVE ACCESS PANEL w/ HYDRAULIC FLUSH VALVE SHOWN
6. WH-LRSC-GRAY WHITEHALL LIGATURE RESISTANT ABS TOILET SEAT COVER
7. INTERIOR OF TOILET w/ SATIN FINISH (NOT POWDER COATED)

DISCLAIMER:

This product is designed to decrease the probability that it may be utilized as an apparatus for ligature. It is not a replacement for professionals who are trained in the proper evaluation, management and supervision of persons at risk of suicide.

⚠ WARNING: Cancer and Reproductive Harm - www.P65Warnings.ca.gov

SELECTION SUMMARY & APPROVAL FOR MANUFACTURING

Model Number & Options _____ Quantity _____
 Company _____ Date _____
 Contact _____ Title _____
 Approval for Manufacturing/Signature _____

All dimensions are nominal and subject to manufacturer's change without notice. Whitehall assumes no responsibility for use of void or superseded data © Whitehall Manufacturing, Member of Morris Group International. Please visit www.whitehallmfg.com for most current specifications.



Whitehall Manufacturing
 Manufacturer of Healthcare and Rehabilitation Products since 1946

BestCare
 Patients, Not Prisoners

**Healthcare and Ligature
 Resistant Products**

Division of
 Acorn Engineering Company

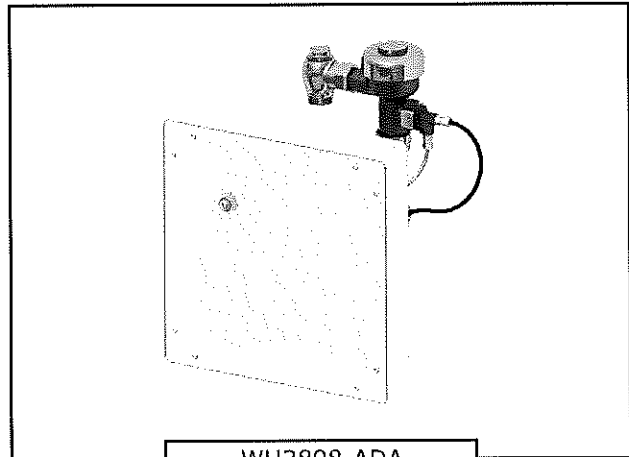


A MEMBER OF



Whitehall Ligature Resistant Flush Valve Access Panel with Hydraulic Flush Valve

Model WH2898-ADA



WH2898-ADA

Ligature Resistant Flush Valve Access Panel with Hydraulic Flush Valve

Recommended for traditional (non-ADA) or ADA compliant** toilets and Urinals with wall supply (concealed) flush valve connections where vandalism and ligature resistance is a concern.

Hydraulic Flush Valve provided is a concealed type with cast bronze body. Flush valve features quiet operation and includes a suicide resistant pushbutton, union angle stop and vacuum breaker.

Flush Valve Access Panel is 16 gage, type 304 stainless steel with all exposed surfaces powder coated white. It is furnished with vandal resistant screws.

GUIDE SPECIFICATION

Provide and install Ligature Resistant Flush valve cover with flush valve. Flush valve access panel fabricated from 16 gage type 304 stainless steel. All exposed stainless steel surfaces are powder coated white. Flush valve provided shall be hydraulic, pushbutton operated with access cover and secured with stainless steel vandal resistant fasteners. Wall anchors and anchoring hardware by others.

****IMPORTANT:**

Refer to Whitehall Model WH2898D series for ADA in-wall Flush Valve applications incorporating Closure Plate Grab Bars.

Interference may occur when WH2898-ADA unit is used with Closure Plate Grab Bar styles affecting location of Access Panel.

Please visit www.whitehallmfg.com
 for most current specifications.



Member of
 U.S. Green
 Building
 Council



Recyclable
 Product



Water
 Conserving
 Product

Whitehall Mfg. • P.O. Box 3527 • City of Industry, CA 91744 • (800) 782-7706 • (626) 968-6681 • Fax (626) 855-4862

WH2898-ADA

Updated: 04/12/22



MODEL AND OPTIONS SELECTION:

BASE MODEL NUMBER

TOILET

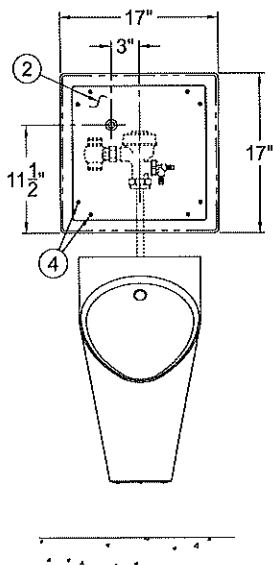
- WH2898-ADA-EG10-1.28 Ligature Resistant Flush Valve Cover With 1.28 GPF Hydraulic Flush Valve (White)
- WH2898-ADA-EG10-1.6 Ligature Resistant Flush Valve Cover With 1.6 GPF Hydraulic Flush Valve (White)

URINAL

- WH2898-ADA-EG10-0.5 Ligature Resistant Flush Valve Cover With 0.5 GPF Hydraulic Flush Valve (White)
- WH2898-ADA-EG10-0.125 Ligature Resistant Flush Valve Cover With 0.125 GPF Hydraulic Flush Valve (White)

LESS FLUSH VALVE AND PUNCH

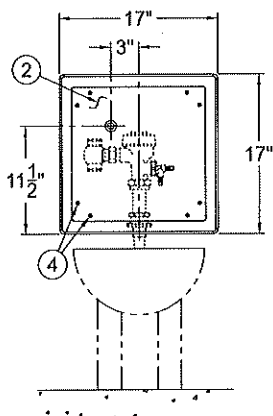
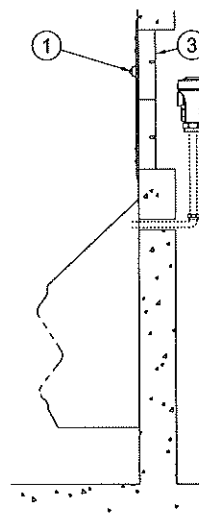
- WH2898-BLANK Ligature Resistant Access Cover Only



Notes:

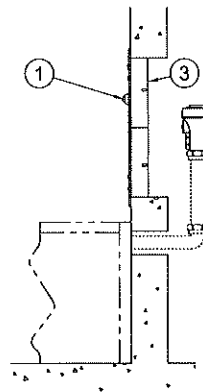
1. Hydraulic Flush Valve Pushbutton
2. Access Panel
3. Mounting Frame
4. Vandal Resistant Fasteners

MODEL# WH2898-ADA
 Shown with Urinal For Reference



MODEL# WH2898-ADA
 Shown with non-ADA Toilet for Reference

****IMPORTANT: Refer to Whitehall Model WH2898D series for ADA in-wall Flush Valve applications incorporating Closure Plate Grab Bars.**
Interference occurs when WH2898-ADA unit is used with Closure Plate Grab Bar styles affecting location of Access Panel.



All dimensions are nominal and subject to manufacturer's change without notice. Whitehall assumes no responsibility for use of void or superseded data © Whitehall Manufacturing, Member of Morris Group International. Please visit www.whitehallmfg.com for most current specifications.

⚠ WARNING: Cancer and Reproductive Harm - www.P65Warnings.ca.gov

DISCLAIMER:

This product is designed to decrease the probability that it may be utilized as an apparatus for ligature. It is not a replacement for professionals who are trained in the proper evaluation, management and supervision of persons at risk of suicide.

SELECTION SUMMARY & APPROVAL FOR MANUFACTURING

Model Number & Options _____ Quantity _____
 Company _____ Date _____
 Contact _____ Title _____
 Approval for Manufacturing/Signature _____

SH-1 SHOWER
WHITEHALL MWH0458-E516 LIGATURE RESISTANT
SHOWER MODIFIED WITH WHCHS LIGTURE RESISANT
SHOWER WITH COLLAPSIBLE HANGER IN LIEU
OF STANDARD CONNICAL SHOWER HEAD, CHROME
TRIM, AND WHITE POWDER COATED HOUSING



Whitehall Manufacturing®
 Manufacturer of Healthcare and Rehabilitation Products since 1946

BestCare®
 Patients, Not Prisoners®

**Healthcare and Ligature
 Resistant Products**

Division of
 Acorn Engineering Company®

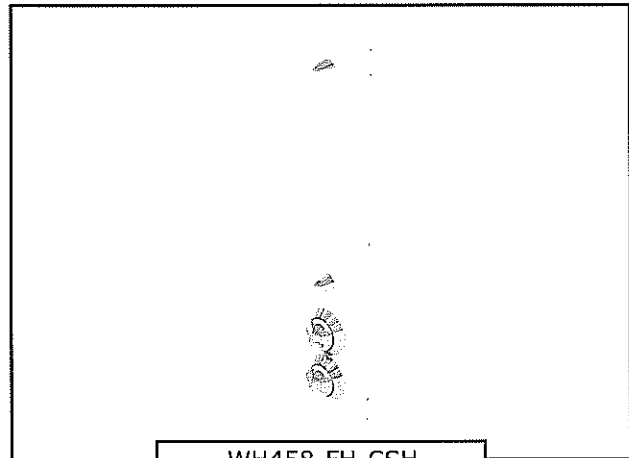


A MEMBER OF



Whitehall Ligature Resistant Wall Shower

Model WH458-FH-CSH



WH458-FH-CSH

US PATENTS - US 10,474,170 B2 & US D697,591

Ligature Resistant Shower

Shower is arranged to be installed on a finished wall and serviced by removing housing. Housing is fabricated from 18 gage, type 304 stainless steel with a white powder coat finish and 30° sloping top and bottom. Mounting channel is provided.

Conical Showerheads are chrome plated brass and provide vandal and suicide resistance. Spray pattern is a non-adjustable multi-stream style and provides a 1.5 GPM flow rate.

Valve, the T/P Mixing valve automatically mixes hot and cold water to deliver blended water within a specific range. Mixing Valve meets the most stringent performance criteria for temperature and pressure changes, defined by ASSE 1016. Valve conforms with lead free requirements of NSF61, Section 9, 1997 and CHSC 116875.

GUIDE SPECIFICATION

Provide and install a Best-Care™ Ligature Resistant Front Mounted Shower. Housing shall be fabricated of 18 gage type 304 stainless steel powder coated white.

Mounting channel shall be fabricated from 18 gage type 304 stainless steel. Fixture shall be furnished with two fixed conical showerheads, a control valve, a diverter valve both with Chrome Plated, Patented ADA Compliant Ligature Resistant Tri-Lever Handles. Fixture shall be furnished with necessary fasteners for proper installation.

Please visit www.whitehallmfg.com
 for most current specifications.



Member of
 U.S. Green
 Building
 Council



Recyclable
 Product



Water
 Conserving
 Product

Complies
 with the
 following
 standards:



Federal
 Public Law
 111-350
 (No Lead)

Whitehall Mfg. > P.O. Box 3527 > City of Industry, CA 91744 > (800) 782-7706 > (626) 968-6681 > Fax (626) 855-4862

WH458-FH-CSH

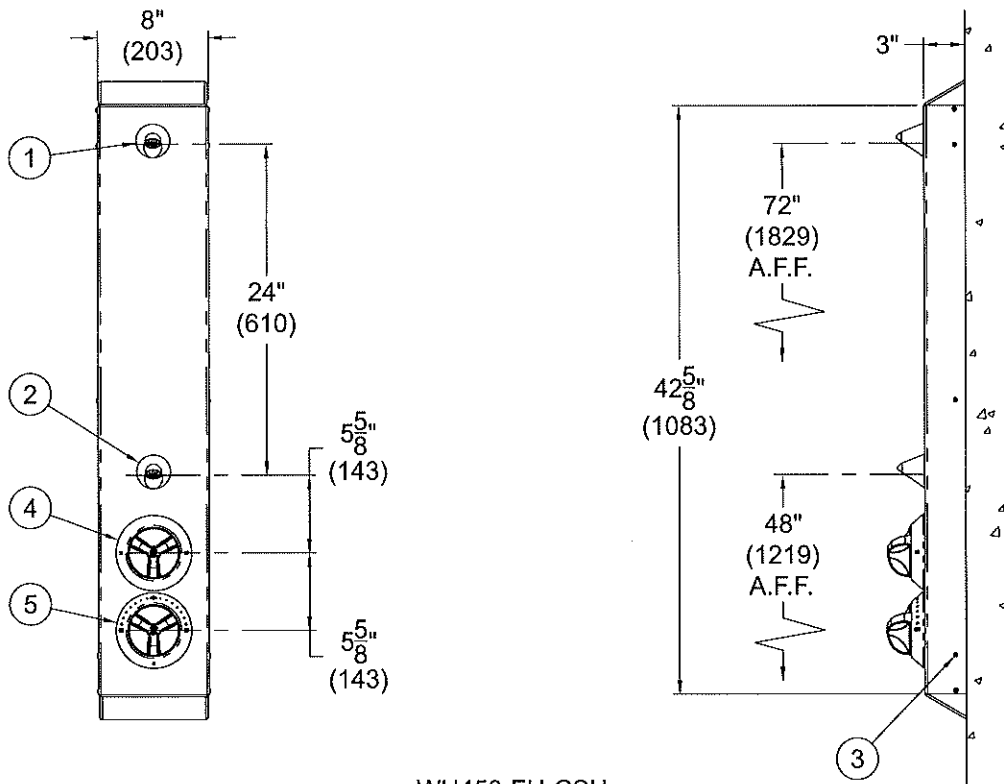
Revised: 11/09/21



MODEL NUMBER AND OPTIONS SELECTION:

BASE MODEL NUMBER

- WH458-FH-CSH Surface Mount Ligature Resistant Wall Shower w/ Fixed Heads and Mounting Channel (Powder Coated White)



WH458-FH-CSH

NOTES:

1. Conical Shower Head.
2. Fixed Conical Shower Head At 48".
3. Tamper Resistant Fasteners.
4. Diverter Valve w/ Patented ADA Compliant, Ligature Resistant Tri-Lever Handle.
5. T/P Mixing Valve w/ Patented ADA Compliant, Ligature Resistant Tri-Lever Handle.

DISCLAIMER:

This product is designed to decrease the probability that it may be utilized as an apparatus for ligature. It is not a replacement for professionals who are trained in the proper evaluation, management and supervision of persons at risk of suicide.

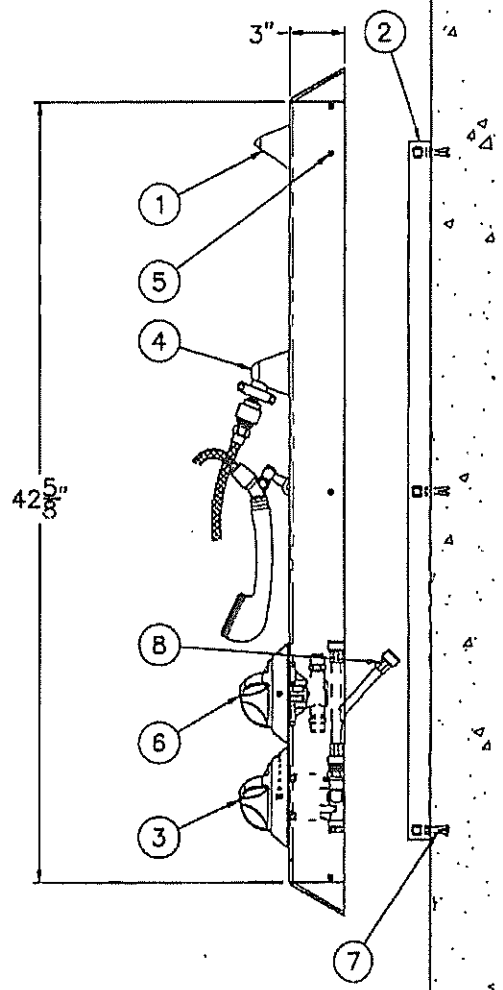
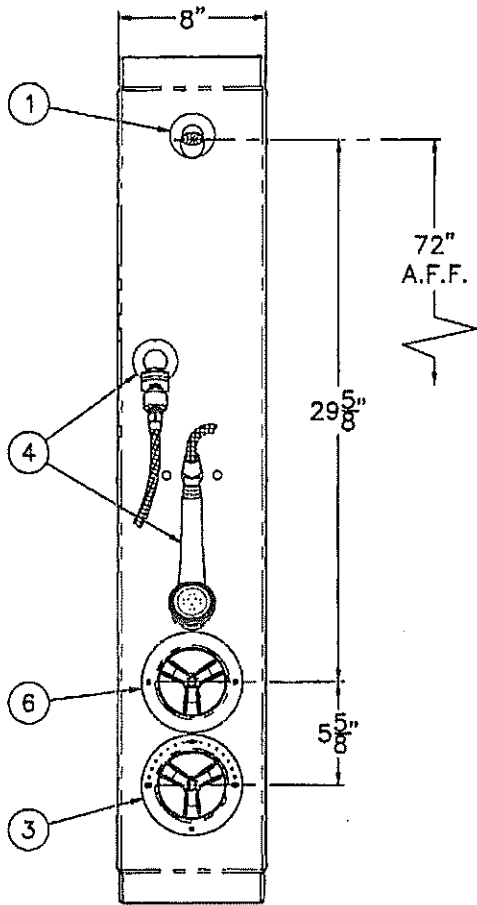
⚠ WARNING: Cancer and Reproductive Harm - www.P65Warnings.ca.gov

SELECTION SUMMARY & APPROVAL FOR MANUFACTURING

Model Number & Options _____ Quantity _____
 Company _____ Date _____
 Contact _____ Title _____
 Approval for Manufacturing/Signature _____

All dimensions are nominal and subject to manufacturer's change without notice. Whitehall assumes no responsibility for use of void or suspended data © Whitehall Manufacturing, Member of Morris Group International.

SH-1 (14)



- ① CONICAL SHOWERHEAD
- ② MOUNTING CHANNEL
- ③ T/P TEMPERATURE/PRESSURE BALANCING VALVE w/ TRI-LEVER HANDLE
- ④ WHCHS WHITEHALL LIGATURE RESISTANT HANDHELD SHOWER w/ COLLAPSIBLE HANGER
- ⑤ VANDAL RESISTANT FASTENERS
- ⑥ DIVERTER VALVE w/ TRI-LEVER HANDLE
- ⑦ INSTALLER PROVIDED WALL ANCHORS AND ANCHORING HARDWARE
- ⑧ 1/2" NPS SUPPLY INLETS

WHITEHALL #MWH0458-E516 SHOWER MODIFIED w/ LIGATURE RESISTANT HANDHELD SHOWER

Surface Mounted Shower intended for installing and servicing from the front. Fixture is modified to include WHCHS Whitehall Ligature Resistant Handheld Shower with Collapsible Hanger in lieu of standard Conical Showerhead. All other aspects remain the same as standard. Housing is fabricated of 18 gage type 304 stainless steel Powder Coated White.

Refer to standard #WH458-FH-CSH catalog sheet for additional options and technical data.

⚠ WARNING: CANCER AND REPRODUCTIVE HARM—
www.P65WARNINGS.CA.GOV

APPROVAL OF THIS MODIFIED SUBMITTAL IS AUTHORIZATION FOR PRODUCTION WITH MODIFICATIONS SHOWN AND NONE OTHERS WHETHER VERBAL OR IMPLIED. NO FURTHER MODIFICATIONS PERMITTED AFTER RECEIPT OF THIS DOCUMENT BY WHITEHALL, A MEMBER OF MORRIS GROUP INTERNATIONAL.

Approved By: _____

Date: _____

ITEM	QTY.	MODEL NO.	WHITEHALL™ MANUFACTURING			
SHOWER w/ LIGRES HANDHELD SHOWER						
JOB			P.O. BOX 3527	15125 PROCTOR AVE		
LOCATION			INDUSTRY, CA 91744	INDUSTRY, CA 91746		
ARCH.			(626) 968-6681	FAX (626) 855-4862		
M.E.	I: \SALES ENG\WHITEHALL\SHOWERS	DATE	REVISION	DRN. BY	DWG. NO.	
		07/26/19		RMC	MWH0458-E516	

DIMENSIONS ARE SUBJECT TO MANUFACTURERS TOLERANCE AND CHANGE WITHOUT NOTICE. WE CAN ASSUME NO RESPONSIBILITY FOR USE OF SUPERSEDED OR VOID DATA. THIS PRINT IS CONFIDENTIAL AND IS LOANED FOR MUTUAL ASSISTANCE. IT IS NOT TO BE FORWARDED TO OTHER PARTIES NOR REPRINTED IN ANY FORM WITHOUT OUR WRITTEN PERMISSION.

SH-2 SHOWER
WHITEHALL WH418ADA-WHCHS-LRD-L/R FLUSH MOUNT
ADA/CBC WALL SHOWER WITH DISCONNECTABLE
HAND HELD SHOWER ONE FIXED CONNICAL SHOWER HEAD,
DIVERter VALVE AND TEMP/PRESSURE BALANCING
MIXING VALVE

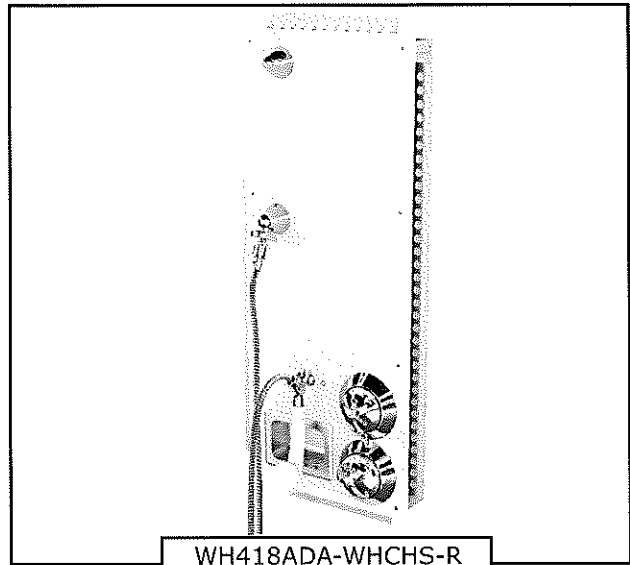


Whitehall
Manufacturing™

A MEMBER OF
MORRIS GROUP
A DIVISION OF

Best-Care™ Healthcare and Ligature Resistant Products

**Whitehall
Ligature Resistant
ADA & CBC (Calif. Title 24)
Compliant Wall Shower
with Hand Held Shower**
Models:
**WH418ADA-WHCHS
WH418ADA-WHCHS-LRD**



WH418ADA-WHCHS-R

Fixture May Show Some Available Options

Ligature Resistant Accessible Shower

Shower assembly includes Control Valve, Conical Showerhead, Handheld Shower and Hose with Collapsible Mounting Bracket, Diverter Valve, and Recessed Soap Dish option. Shower is to be installed on a finished wall and serviced through a removable front Panel. When installed properly and in accordance with all other Shower Stall Type requirements, unit will conform with 2010 ADA Standards and 2019 California Access Compliance Reference Manual with DSA Access Compliance Code Cycle Supplement, Effective July 1, 2021. Refer to applicable Accessibility Guidelines for complete details.

Note: Compliance is subject to the interpretation and requirements of the local Code Authority.

Shower Panel is fabricated from 18 gage, type 304 stainless steel with a white powder coat finish. In-wall stainless steel Mounting Frame is provided. Controls are 38" to 48" from the finished floor and should be located on wall in accordance with shower stall type and configuration [ADA & CBC 11B: 608.5.1, 608.5.2, 608.5.3]. Stainless steel Recessed Soap Dish is offered and located at 40" maximum from the finish floor for CBC requirements [CBC 11B-608.10].

Fixed Upper Conical Showerhead is provided with 6'-0" discharge height. Showerhead is WaterSense Certified with 1.5 GPM flow rate and is chrome plated brass to provide vandal and ligature resistance. Spray pattern is a non-adjustable multi-stream style.

Ligature Resistant Handheld Shower is provided. Handheld Shower Spray assembly includes Pushbutton for On/Off control with Non-positive

Shutoff, 1.5 GPM Flow Control, 60" long Stainless Steel Hose. Hose assembly is removable and includes a Ligature Resistant Collapsible Mounting Bracket.

Temperature / Pressure Balancing Mixing Valve is IAPMO Certified and delivers blended water to meet performance requirements of ASSE 1016-2011. Control Handle is patented Tri-lever Ligature Resistant design. Valve conforms with lead free requirements of NSF61, Section 9, 1997 and CHSC 116875. Refer to WHSV16 series submittal for additional Data.

Vandal Resistant Stainless Steel Fasteners are provided to complete shower assembly. Wall Fasteners and Wall Anchors are not furnished.

GUIDE SPECIFICATION

Provide and install Best-Care™ Ligature Resistant ADA and CBC Compliant Accessible Shower. Front Mounted Shower Panel provides access and shall be fabricated of 18 gage type 304 stainless steel, powder coated white. Wall Mounting Frame with Tiling Flanges shall be fabricated from type 304 stainless steel. Fixture shall be furnished with WaterSense Certified Conical Showerhead with 1.5 GPM flow rate. Provide Hand Held Shower with Pushbutton for On/Off control with Non-positive Shutoff, 1.5 GPM Flow Control, 60" long Stainless Steel Hose, with Ligature Resistant Collapsible Mounting Bracket. Provide Diverter Valve and ASSE 1016 Compliant Temperature/Pressure Balance Mixing Valve. Both Controls shall be provided with Chrome Plated, Patented ADA Compliant Ligature Resistant Tri-Lever Handles. Housing shall include stainless steel Recessed Soap Dish (Specify). Fixture shall be furnished with necessary fasteners for proper installation.

Please visit www.whitehallmfg.com for most current specifications.



Member of
U.S. Green
Building
Council



Recyclable
Product



Water
Conserving
Product

Complies
with the
following
standards:



Federal
Public Law
111-353
(No Lead)

Whitehall Mfg. > P.O. Box 3527 > City of Industry, CA 91744 > (800) 782-7706 > (626) 968-6681 > Fax (626) 855-4862

WH418ADA-WHCHS

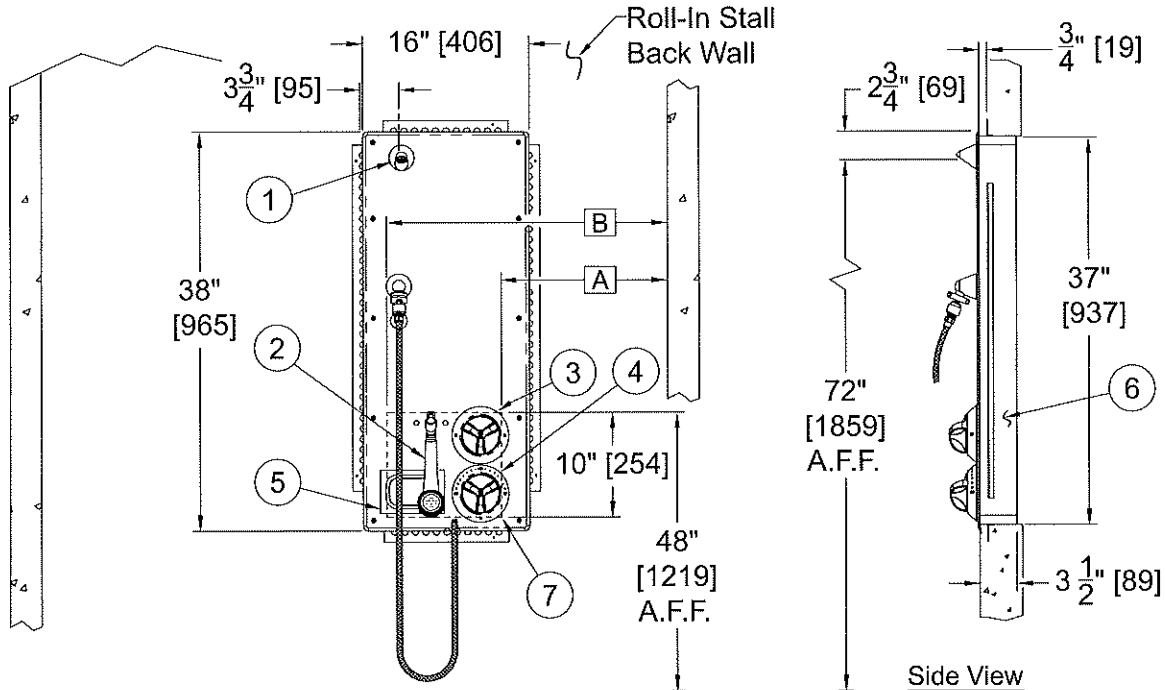
New: 05/09/2022



MODEL NUMBER AND OPTIONS SELECTION:

BASE MODEL NUMBER

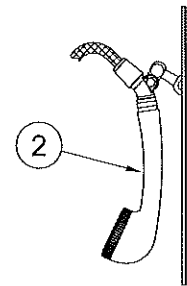
- WH418ADA-WHCHS-L Flush Mount ADA/CBC Wall Shower w/Hand Held Shower - Left Hand Valves
- WH418ADA-WHCHS-R Flush Mount ADA/CBC Wall Shower w/Hand Held Shower - Right Hand Valves
- WH418ADA-WHCHS-LRD-L Flush Mount ADA/CBC Wall Shower w/Hand Held, Less Recessed Soap Dish - L.H. Valves
- WH418ADA-WHCHS-LRD-R Flush Mount ADA/CBC Wall Shower w/Hand Held, Less Recessed Soap Dish - R.H. Valves



Front View Roll-In Type Compartment Shown
Model # WH418ADA-WHCHS-R Shown
Right Hand Valve Orientation Shown - Left Hand Opposite

NOTES:

1. Conical Shower Head: CSH series at 72" Discharge.
2. Handheld Shower with Collapsible Mounting Bracket: WHCHS Series.
3. Diverter Valve: WHDIV with Tri-Lever Handle (Standard).
4. Control Valve: WHSV16 Mixing Valve with Tri-Lever Handle (Standard).
5. Recessed Soap Dish: WH1832 series (Specify).
6. Wall Mounting Frame with Plaster Flanges.
7. Control Area, CBC Standard Roll-In Stall Type Shown. See Dimensional Details.



Hand Held Shower Detail

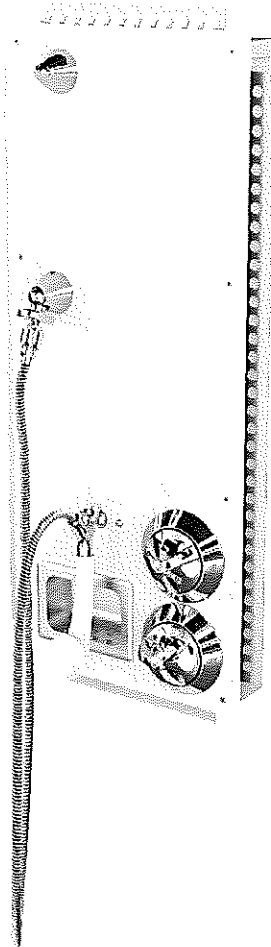
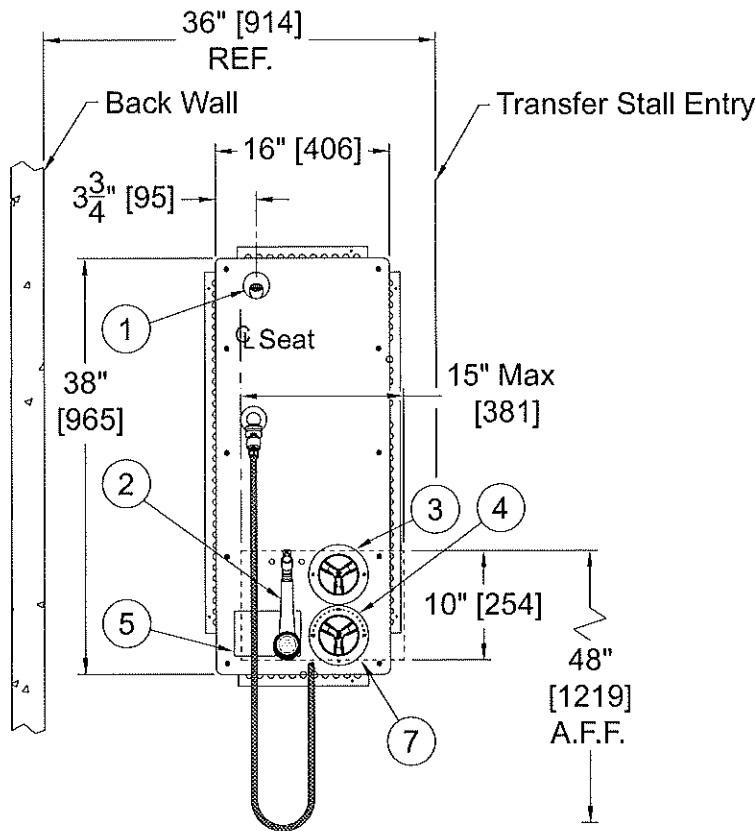
Dimensional Details		
	A Min.	B Max.
ADA	0"	*27"
CBC	16"	27"

*ADA dim shown is Roll-In Stall with Seat.
Refer to Guidelines for complete details.

SELECTION SUMMARY & APPROVAL FOR MANUFACTURING

Model Number & Options _____ Quantity _____
 Company _____ Date _____
 Contact _____ Title _____
 Approval for Manufacturing/Signature _____

Compliance Subject to Local Code Authority.
 All dimensions are nominal and subject to manufacturer's change without notice. Whitehall assumes no responsibility for use of void or suspended data © Whitehall Manufacturing, Member of Morris Group International.



Model # WH418ADA-WHCHS-R Shown
 Right Hand Valve Orientation Shown - Left Hand Opposite
 Front View Transfer Type Compartment - Reference Only

NOTES:

1. Conical Shower Head: CSH series at 72" Discharge.
2. Handheld Shower with Collapsible Mounting Bracket: WHCHS Series.
3. Diverter Valve: WHDIV with Tri-Lever Handle (Standard).
4. Control Valve: WHSV16 Mixing Valve with Tri-Lever Handle (Standard).
5. Recessed Soap Dish: WH1832 series (Specify).
6. Wall Mounting Frame with Plaster Flanges.
7. Control Area, ADA/CBC Standard Transfer Stall Type Shown.

* Dimensions shown are Transfer Stall Type with Seat.
 Refer to appropriate Accessibility Guidelines for complete details.

DISCLAIMER:

This product is designed to decrease the probability that it may be utilized as an apparatus for ligature. It is not a replacement for professionals who are trained in the proper evaluation, management and supervision of persons at risk of suicide.

⚠ WARNING: Cancer and Reproductive Harm - www.P65Warnings.ca.gov

SELECTION SUMMARY & APPROVAL FOR MANUFACTURING

Model Number & Options _____ Quantity _____
 Company _____ Date _____
 Contact _____ Title _____
 Approval for Manufacturing/Signature _____

Compliance Subject to Local Code Authority.
 All dimensions are nominal and subject to manufacturer's change without notice. Whitehall assumes no responsibility for use of void or suspended data © Whitehall Manufacturing, Member of Morris Group International.