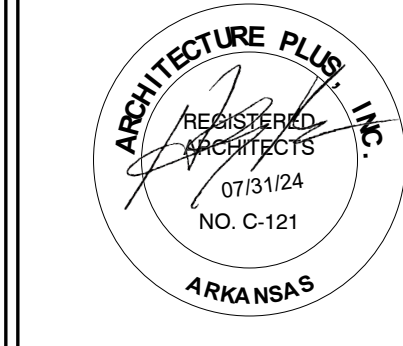
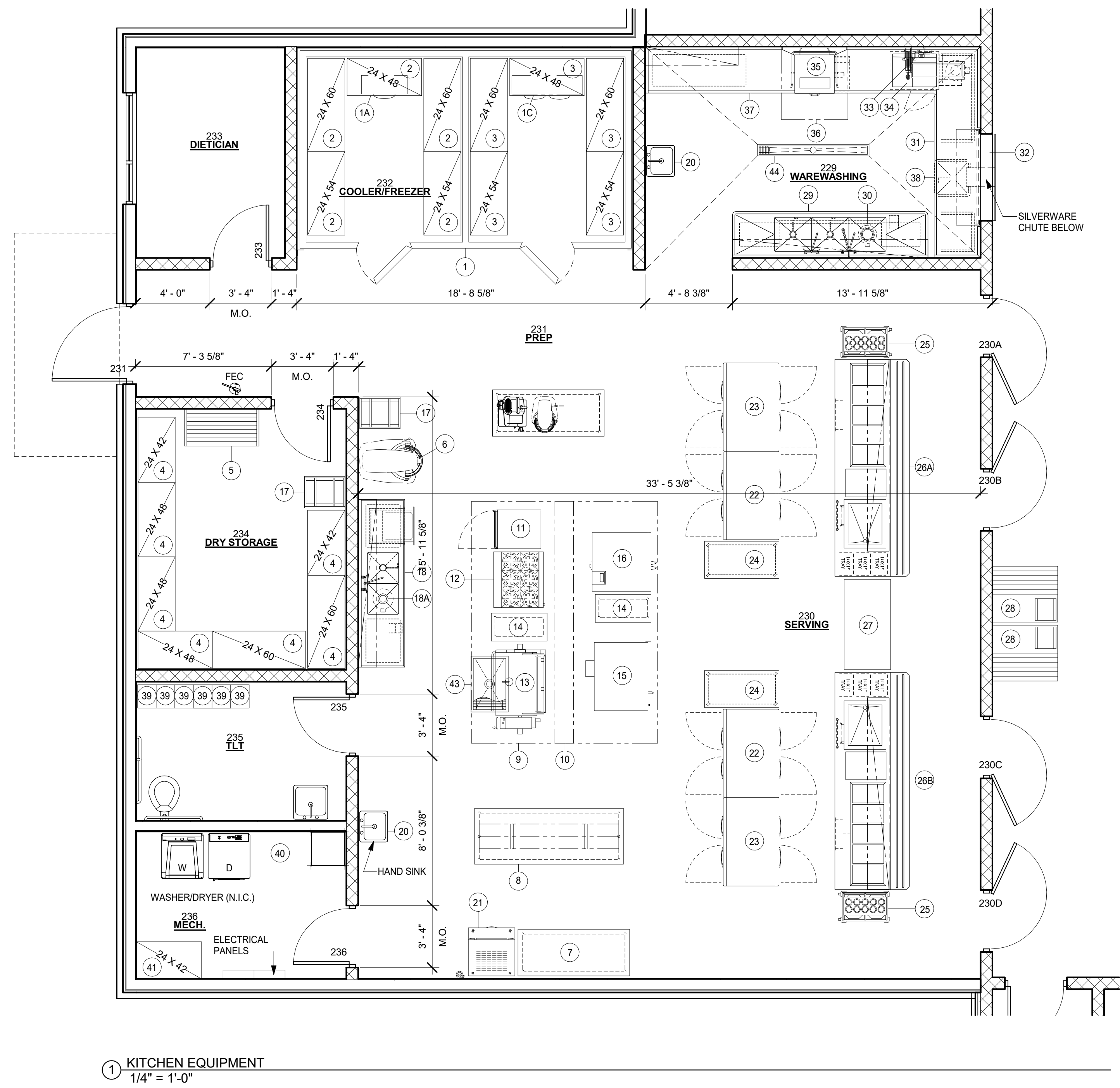


KITCHEN EQUIPMENT SCHEDULE		
ITEM NO.	ITEM DESCRIPTION	QUANTITY
1	WALK - IN COOLER / FREEZER	1
1A	WALK - IN COOLER EVAPORATOR	1
1B	WALK - IN COOLER CONDENSER (ON ROOF)	1
1C	WALK - IN FREEZER EVAPORATOR	1
1D	WALK - IN FREEZER CONDENSER (ON ROOF)	1
2	WALK - IN FREEZER SHELVING	1- 24" W. x 48" L. 2- 24" W. x 54" L. 2- 24" W. x 60" L.
3	WALK - IN COOLER SHELVING	1- 24" W. x 48" L. 2- 24" W. x 54" L. 2- 24" W. x 60" L.
4	SHELVING	2- 24" W. x 42" L. 2- 24" W. x 48" L. 2- 24" W. x 60" L.
5	DUNNAGE RACK	1
6	EXISTING MIXER	1 (EXISTING)
7	EXISTING 30" X 72" S.S. TABLE	2 (EXISTING)
8	EXISTING 36" X 96" S.S. TABLE W/ OVERHEAD POT RACK	1 (EXISTING)
9	EXHAUST HOOD (BACK TO BACK)	1
10	UTILITY DISTRIBUTION SYSTEM (UDS)	1
11	EXISTING HEATER / PROOFER	1 (EXISTING)
12	GAS 6 - BURNER RANGE	1
13	EXISTING GAS TILTING SKILLET / BRAISING PAN	1 (EXISTING)
14	S.S. WORK TABLE - 18" X 36"	2
15	EXISTING COMBI OVEN	1 (EXISTING)
16	EXISTING GAS DOUBLE STACK CONVECTION OVEN	1 (EXISTING)
17	EXISTING BUN PAN RACK	2 (EXISTING)
18	S.S. PREP TABLE W/ SINK, DISPOSAL & WALL MOUNT OVERSHELF	1
18A	DISPOSER	1
19	EXISTING FOOD SLICER	1 (EXISTING)
20	HAND SINK	2
21	CUBE - STYLE ICE MAKER	1
22	PASS - THRU HEATED CABINET	2
23	PASS - THRU REFRIGERATOR	2
24	MOBILE S.S. WORKTABLE - 24" X 48"	2
25	TRAY RACK	2
26A	S.S. SERVING LINE	1
26B	S.S. SERVING LINE	1
27	MILK COOLER	BY OWNER
28	CASHER STAND	2 (EXISTING)
29	3 - COMPARTMENT SINK W/ OVERSHELF	1
30	DIPOSER	1
31	SOILED DISHTABLE	1
32	ROLL - UP DOOR, BY CONTRACTOR	1
33	HOSE REEL	1
34	DIPOSAL SYSTEM	1
35	EXISTING DISHMACHINE	1 (EXISTING)
36	CONDENSATE HOOD	1
37	CLEAN DISHTABLE	1
38	PORTABLE SOAK SINK	1
39	LOCKERS	6
40	MOP SINK	1
41	WIRE SHELVING - 24" X 42"	1
42	EXISTING COUNTERTOP FOOD MIXER	1 (EXISTING)
43	FLOOR TROUGH	1
44	FLOOR TROUGH	1



JOHNSON COUNTY WESTSIDE
PRIMARY SCHOOL ADDITION
 193 SCHOOL ST., HARTMAN, AR 72840

ARCHITECTURE PLUS, INC.
 907 South 21st Street Fort Smith, Arkansas 479/783-8395
 ENLARGED ARCHITECTURAL KITCHEN PLAN

REVISIONS:

PROJECT: 19-68

DATE: 07/31/2024

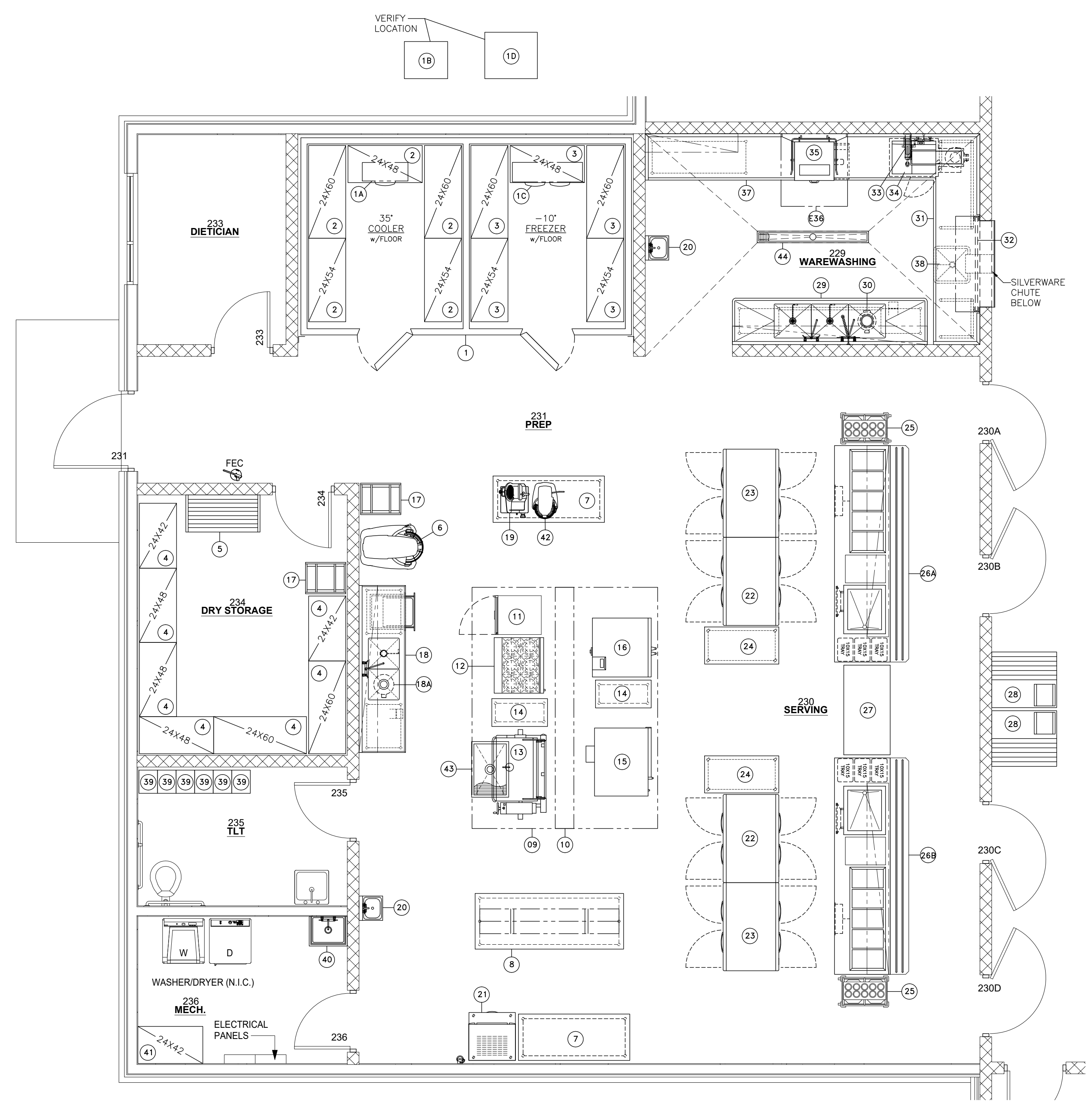
K0





KITCHEN EQUIPMENT LIST			
MANUF	MOD #	NO QTY	ITEM
AMERICAN PANEL	CUSTOM	1 1	WALK-IN COOLER/FREEZER
AMERICAN PANEL	BELO065-AM	1A 1	WALK-IN COOLER EVAPORATOR
AMERICAN PANEL	FFAM-A102-TFC-075	1B 1	WALK-IN COOLER CONDENSER
AMERICAN PANEL	BELO065-EE	1C 1	WALK-IN FREEZER EVAPORATOR
AMERICAN PANEL	FFAL-A172-TFC-075	1D 1	WALK-IN FREEZER CONDENSER
METRO	SUPER ERECTA	2 LOT	WALK-IN FREEZER SHELVING
METRO	SUPER ERECTA	3 LOT	WALK-IN COOLER SHELVING
METRO	SUPER ERECTA	4 LOT	SHELVING
CHANNEL	ADE2448	5 1	DUNNAGE RACK
HOBART	HZ	6 1	EXISTING MIXER
EXISTING		7 2	EXISTING 30"X72" S.S. TABLE
EXISTING		8 1	EXISTING 36"X96" S.S. TABLE w/OVERHEAD POT RACK
CAPTIVEAIRE	CUSTOM	9 1	EXHAUST HOOD (BACK TO BACK)
CAPTIVEAIRE	CUSTOM	10 1	UTILITY DISTRIBUTION SYSTEM (UDS)
WINHOLT	NHPL-1836C	11 1	EXISTING HEATER/PROOFER
VULCAN	36S-6BN	12 1	GAS 6-BURNER RANGE
EXISTING		13 1	EXISTING GAS TILTING SKILLET/BRAISING PAN
MRS FAB	CUSTOM	14 2	S.S. WORKTABLE
BLODGETT	BLCP102	15 1	EXISTING COMBI OVEN
DUKE	E101-GV	16 1	EXISTING GAS DOUBLE STACK CONVECTION OVEN
EXISTING		17 2	EXISTING BUN PAN RACK
MRS FAB	CUSTOM	18 1	S.S. PREP TABLE w/SINK, DISPOSAL & WALL MOUNT OVERSHELF
SALVAJOR	100-SA-3-MRSS	18A 1	DIPOSER
EXISTING		19 1	EXISTING FOOD SLICER
BY PLUMBING CONTRACTOR		20 2	HAND SINK
ICE-O-METIC	CIM0530FA/B55PS	21 1	CUBE-STYLE ICE MAKER
CONTINENTAL	DLZWE-PT	22 2	PASS-THRU HEATED CABINET
CONTINENTAL	D2REMPF	23 2	PASS-THRU REFRIGERATOR
MRS FAB	CUSTOM	24 2	MOBILE S.S. WORKTABLE
PIPER	PTS/1014MD2	25 2	TRAY RACK
MRS FAB	CUSTOM	26A 1	S.S. SERVING LINE
MRS FAB	CUSTOM	26B 1	S.S. SERVING LINE
BY OWNER		27 1	MILK COOLER
EXISTING		28 2	CASHIER STAND
MRS FAB	CUSTOM	29 1	3-COMPARTMENT SINK w/OVERSHELF
SALVAJOR	100-SA-3-MRSS	30 1	DIPOSER
MRS FAB	CUSTOM	31 1	SOILED DISHTABLE
BY OTHERS		32 1	ROLL-UP DOOR
T&S BRASS	B-7132-U02TS3	33 1	HOSE REEL
SALVAJOR	S914	34 1	DISPOSAL SYSTEM
CMA	CMA-180	35 1	EXISTING DISHMACHINE
CAPTIVEAIRE	CUSTOM	36 1	CONDENSATE HOOD
MRS FAB	CUSTOM	37 1	CLEAN DISHTABLE
MRS FAB	CUSTOM	38 1	PORTABLE SOAK SINK
GLOBAL	652138GY	39 6	LOCKERS
BY PLUMBING CONTRACTOR		40 1	MOP SINK
1880 HOSPITALITY	LOT	41 LOT	WIRE SHELVING
HOBART	A-200	42 1	EXISTING COUNTERTOP FOOD MIXER
IMC/TEDDY	ASFT-2436-SQ	43 1	FLOOR TROUGH
IMC/TEDDY	FWR-72-SG	44 1	FLOOR TROUGH

GENERAL CONSTRUCTION NOTES
NSF: ALL CONSTRUCTION PER NSF NO 2 STANDARDS
COVE: ALL CORNERS COVED ON A 3/4" RADIUS
MEASUREMENTS: ALL MUST BE VERIFIED AT JOB SITE
SOUND DEADENING: BETWEEN ALL METAL SURFACES



KITCHEN EQUIPMENT LAYOUT
SCALE: 1/4" = 1'-0"



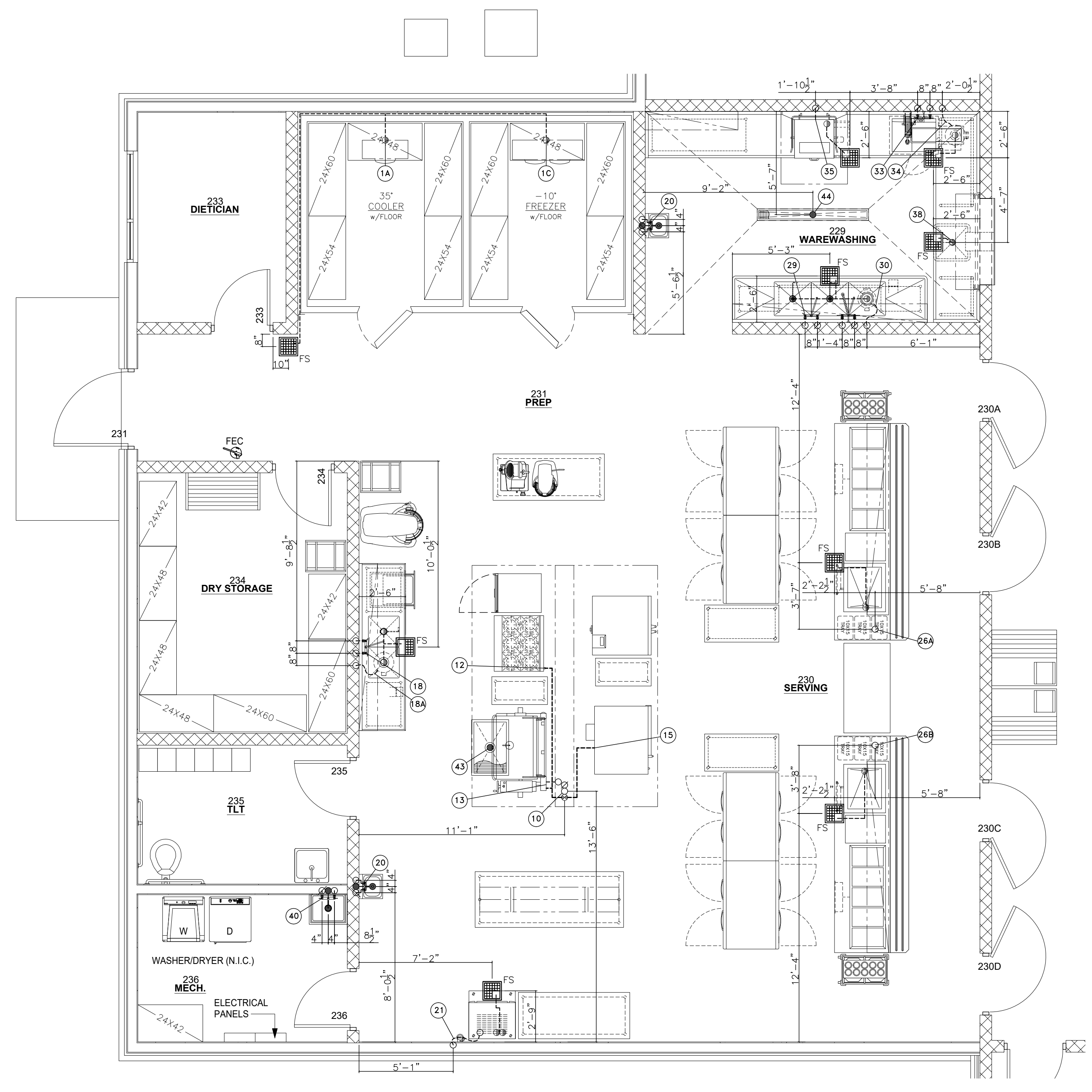
KITCHEN EQUIPMENT LIST					
MANUF	MOD #	NO	QTY	ITEM	PLUMBING REQUIREMENTS
AMERICAN PANEL	CUSTOM	1A	1	WALK-IN COOLER/FREEZER	
AMERICAN PANEL	BELO065-AM	1B	1	WALK-IN COOLER EVAPORATOR	1/2" ID TO FS
AMERICAN PANEL	FFAM-A102-TFC-075	1B	1	WALK-IN COOLER CONDENSER	
AMERICAN PANEL	BELO065-EE	1C	1	WALK-IN FREEZER EVAPORATOR	1/2" ID TO FS
AMERICAN PANEL	FFAL-A172-TFC-075	1D	1	WALK-IN FREEZER CONDENSER	
METRO	SUPER ERECTA	2	LOT	WALK-IN FREEZER SHELVING	
METRO	SUPER ERECTA	3	LOT	WALK-IN COOLER SHELVING	
METRO	SUPER ERECTA	4	LOT	SHELVING	
CHANNEL	ADE2448	5	1	DUNNAGE RACK	
HOBART	HZ	6	1	EXISTING MIXER	
EXISTING		7	2	EXISTING 30"X72" S.S. TABLE	
EXISTING		8	1	EXISTING 36"X96" S.S. TABLE w/OVERHEAD POT RACK	
CAPTIVEAIRE	CUSTOM	9	1	EXHAUST HOOD (BACK TO BACK)	3/4" GAS; 290,700 BTU (MUA); VERIFY LOCATION; INTERCONNECT GAS SHUTOFF VALVE AT COOK LINE
CAPTIVEAIRE	CUSTOM	10	1	UTILITY DISTRIBUTION SYSTEM (UDS)	1EA HW&CW; DFA; 1EA 3/4" GAS; DFA; SEE MANUF. DWG
WINHOLT	NHPL-1836C	11	1	EXISTING HEATER/PROOFER	
VULCAN	36S-6BN	12	1	GAS 6-BURNER RANGE	3/4" GAS 215,000 BTU; SW 16" AFF
EXISTING		13	1	EXISTING GAS TILTING SKILLET/BRAISING PAN	3/4" GAS; 1/2" CW; SW 16" AFF; GC TO VERIFY UTILITY
MRS FAB	CUSTOM	14	2	S.S. WORKTABLE	
BLODGETT	BLCP102	15	1	EXISTING COMBI OVEN	3/4" GAS; SW 16" AFF; GC TO VERIFY UTILITY
DUKE	E101-GV	16	1	EXISTING GAS DOUBLE STACK CONVECTION OVEN	GC TO VERIFY UTILITY
EXISTING		17	2	EXISTING BUN PAN RACK	
MRS FAB	CUSTOM	18	1	S.S. PREP TABLE w/SINK, DISPOSAL & WALL MOUNT OVERSHELF	1/2" HW&CW; SW 16" AFF; 2EA 1-1/2" ID TO FS
SALVAJOR	100-SA-3-MRSS	18A	1	DIPOSER	1/2" CW; SW 16" AFF; 1-1/2" ID TO FS
EXISTING		19	1	EXISTING FOOD SLICER	
BY PLUMBING CONTRACTOR		20	2	HAND SINK	1/2" HW&CW; 1-1/2" DIR. DRAIN; SW 16" AFF
ICE-O-METIC	CIM0530FA/855PS	21	1	CUBE-STYLE ICE MAKER	3/8" CW (FILTERED); SW 60" AFF; 2EA 3/4" ID TO FS
CONTINENTAL	DLZWE-PT	22	2	PASS-THRU HEATED CABINET	
CONTINENTAL	DZREWPT	23	2	PASS-THRU REFRIGERATOR	
MRS FAB	CUSTOM	24	2	MOBILE S.S. WORKTABLE	
PIPER	PTS/1014MD2	25	2	TRAY RACK	
MRS FAB	CUSTOM	26A	1	S.S. SERVING LINE	1EA CW; SF; 1/2" ID TO FS
MRS FAB	CUSTOM	26B	1	S.S. SERVING LINE	1EA CW; SF; 1/2" ID TO FS
BY OWNER		27	1	MILK COOLER	
EXISTING		28	2	CASHER STAND	
MRS FAB	CUSTOM	29	1	3-COMPARTMENT SINK w/OVERSHELF	2EA HW&CW; SW 16" AFF; 2EA 1-1/2" ID TO FS
SALVAJOR	100-SA-3-MRSS	30	1	DIPOSER	1/2" CW; SW 16" AFF; 1-1/2" ID TO FS
MRS FAB	CUSTOM	31	1	SOILED DISHTABLE	
BY OTHERS		32	1	ROLL-UP DOOR	
T&S BRASS	B-7132-U02TS3	33	1	HOSE REEL	1/2" HW&CW; SW 16" AFF
SALVAJOR	S914	34	1	DISPOSAL SYSTEM	1/2" CW; SW 16" AFF; 1-1/2" ID TO FS
CMA	CMA-180	35	1	EXISTING DISHMACHINE	1/2" HW; SW 60" AFF
CAPTIVEAIRE	CUSTOM	36	1	CONDENSATE HOOD	
MRS FAB	CUSTOM	37	1	CLEAN DISHTABLE	
MRS FAB	CUSTOM	38	1	PORTABLE SOAK SINK	1-1/2" ID TO FS
GLOBAL	652138GY	39	6	LOCKERS	
BY PLUMBING CONTRACTOR		40	1	MOP SINK	1/2" HW&CW; SW 36" AFF; 2" DIR DRAIN IN FLOOR
1880 HOSPITALITY	LOT	41	LOT	WIRE SHELVING	
HOBART	A-200	42	1	EXISTING COUNTERTOP FOOD MIXER	
IMC/TEDDY	ASFT-2436-SQ	43	1	FLOOR TROUGH	4" DIR. DRAIN IN FLOOR
IMC/TEDDY	FWR-72-SG	44	1	FLOOR TROUGH	4" DIR. DRAIN IN FLOOR

KITCHEN EQUIPMENT PLUMBING GENERAL NOTES

- 01 MC TO PROVIDE FINAL CONNECTIONS TO ALL KITCHEN EQUIPMENT ITEMS PER LOCAL, STATE, & NATIONAL PLUMBING CODES
- 02 MC TO VERIFY REQUIREMENTS OF ALL KITCHEN EQUIPMENT ITEMS PROVIDED BY OTHERS AND/OR EXISTING BEFORE ROUGHING IN AND MAKING FINAL CONNECTIONS
- 03 MC TO FURNISH & INSTALL ALL SHUTOFF VALVES, SHOCK ABSORBERS, SNAP ACTION VALVES, TRIM, TRAPS, ETC REQUIRED FOR FINAL CONNECTION TO OUTLETS
- 04 MC TO FURNISH, INSTALL & CONNECT ALL WATER, DRAIN, INDIRECT DRAIN LINES, ETC FOR ALL KITCHEN EQUIPMENT ITEMS
- 05 MC TO FLUSH ALL LINES BEFORE MAKING FINAL CONNECTIONS
- 06 SEE ARCHITECT DRAWINGS FOR CONTINUATION OF PLUMBING OUTLETS
- 07 ROUGH IN REQUIREMENTS FOR OTHER ITEMS ARE TO BE SET FORTH BY OTHERS THIS PLAN COVERS ONLY KITCHEN EQUIPMENT ITEMS
- 08 ALL ROUGH IN MATERIAL SHALL BE RUN UNEXPOSED
- 09 PC TO FURNISH & INSTALL 3/4" TYPE "K" COPPER DRAIN LINE FOR WALK-IN COOLER & FREEZER BLOWER COIL - SLOPE DRAIN LINES TO LOWEST POINT - EXIT WALK-IN & EXTEND TO FLOOR SINK - TRAP TO PREVENT AIR FROM BACKING UP IN TO FREEZER & COOLER COMPARTMENT
- 10 KEC TO FURNISH & INSTALL REFRIGERATION LINES PER SPECIFICATIONS, GC TO PROVIDE & SEAL ALL PENETRATIONS THRU BUILDING ROOF, WALLS, ETC
- 11 DO NOT CONNECT DISPOSERS TO GREASE TRAP
- 12 MC TO INSTALL ALL HAND SINKS & MOP SINKS

KITCHEN PLUMBING LEGEND

- - CW - COLD WATER
- ⊗ - HW - HOT WATER
- - DR - DRAIN
- ⊙ - ID - INDIRECT DRAIN, MC EXTEND TO FD OR FS
- ⊕ - GAS
- ⊖ - FD - FLOOR DRAIN
- ⊗ - FFD - FUNNEL FLOOR DRAIN
- ⊘ - FS - 12" SQ FLOOR SINK W/ GRATE TOP SHOWN
- KEC - KITCHEN EQUIPMENT CONTRACTOR
- MC - MECHANICAL CONTRACTOR
- AFF - ABOVE FINISHED FLOOR
- BTU - BRITISH THERMAL UNIT
- SW - STUB OUT OF WALL
- SF - STUB OUT OF FLOOR
- GT - GREASE TRAP
- MBH - 1,000 BRITISH THERMAL UNITS PER HOUR
- VB - VACUUM BREAKER



KITCHEN PLUMBING LAYOUT
SCALE: 1/4"=1'-0"



KITCHEN EQUIPMENT LIST

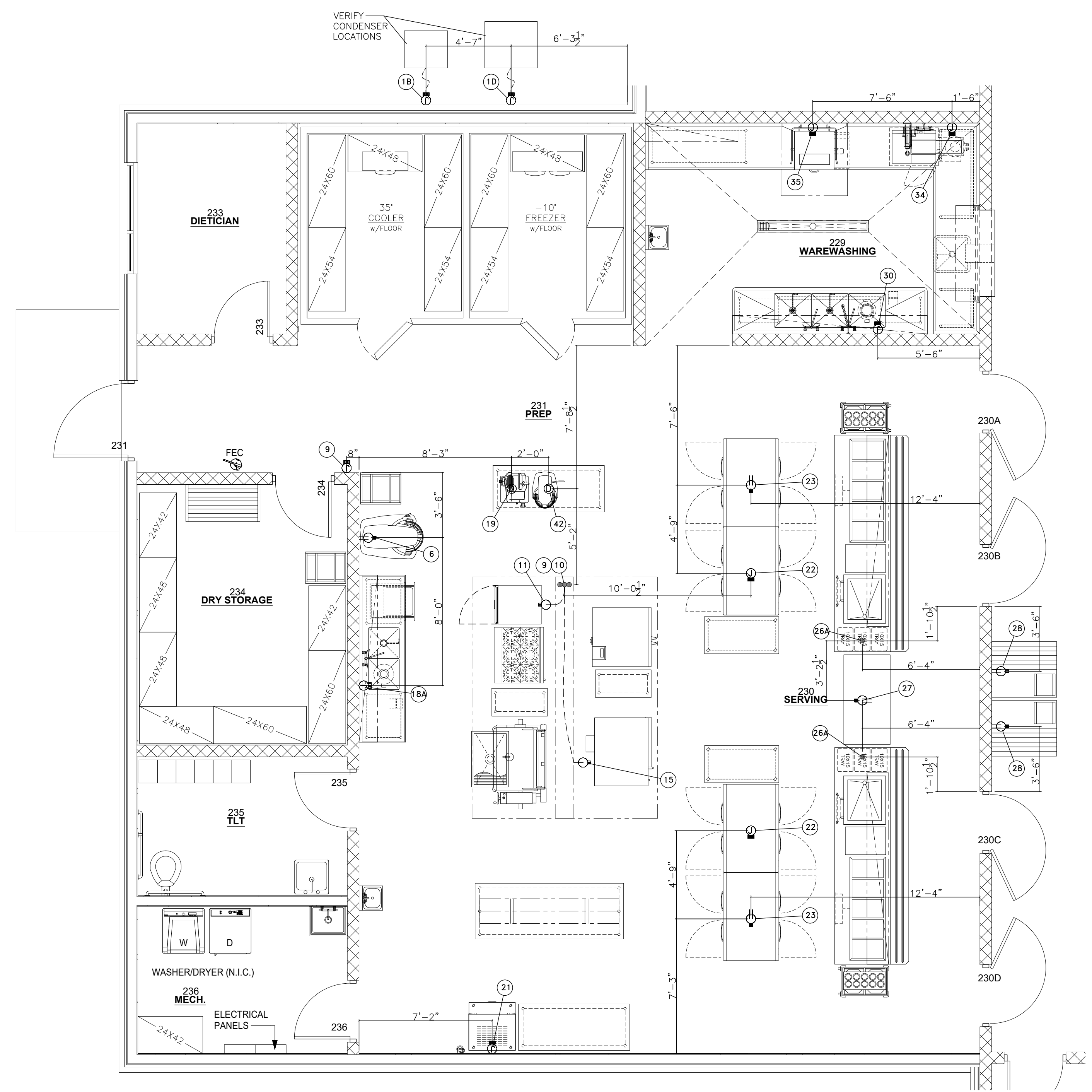
MANUF	MOD #	NO	QTY	ITEM	ELECTRICAL REQUIREMENTS
AMERICAN PANEL	CUSTOM	1	1	WALK-IN COOLER/FREEZER	115/60/1PH; 3.0A; DFA
AMERICAN PANEL	BELO065-AM	1A	1	WALK-IN COOLER EVAPORATOR	208-230/60/1PH; 0.8A; DFA
AMERICAN PANEL	FFAM-A10Z-TFC-075	1B	1	WALK-IN COOLER CONDENSER	208-230/60/3PH; 5.2/7.6/15.0A (RLA/MCA/MOP); DFA
AMERICAN PANEL	BELO065-EE	1C	1	WALK-IN FREEZER EVAPORATOR	208-230/60/1PH; 1.5/9.5A; DFA
AMERICAN PANEL	FFAL-A17Z-TFC-075	1D	1	WALK-IN FREEZER CONDENSER	208-230/60/1PH; 9.7/12.1/15 (RLA/MCA/MOP); DFA
METRO	SUPER ERECTA	2	LOT	WALK-IN FREEZER SHELVING	
METRO	SUPER ERECTA	3	LOT	WALK-IN COOLER SHELVING	
METRO	SUPER ERECTA	4	LOT	SHELVING	
CHANNEL	ADEZ448	5	1	DUNNAGE RACK	
HOBART	HZ	6	1	EXISTING MIXER	RECEPTACLE 16" AFF; GC TO VERIFY UTILITY
EXISTING		7	2	EXISTING 30"X72" S.S. TABLE	
EXISTING		8	1	EXISTING 36"X96" S.S. TABLE w/OVERHEAD POT RACK	
CAPTIVEAIRE	CUSTOM	9	1	EXHAUST HOOD (BACK TO BACK)	80-100/60/1PH (SEE MANUF. LITERATURE FOR FULL) 100-200/60/1PH (SEE MANUF. LITERATURE FOR FULL) 200-300/60/1PH (SEE MANUF. LITERATURE FOR FULL) 300-400/60/1PH (SEE MANUF. LITERATURE FOR FULL) 400-500/60/1PH (SEE MANUF. LITERATURE FOR FULL) 500-600/60/1PH (SEE MANUF. LITERATURE FOR FULL) 600-700/60/1PH (SEE MANUF. LITERATURE FOR FULL) 700-800/60/1PH (SEE MANUF. LITERATURE FOR FULL) 800-900/60/1PH (SEE MANUF. LITERATURE FOR FULL) 900-1000/60/1PH (SEE MANUF. LITERATURE FOR FULL)
CAPTIVEAIRE	CUSTOM	10	1	UTILITY DISTRIBUTION SYSTEM (UDS)	2EA 120/60/1PH; DFA; 1EA 208/60/3PH; DFA; SEE MANUF. DWG
WINHOLT	NHPL-1836C	11	1	EXISTING HEATER/PROOFER	RECEPTACLE 16" AFF; GC TO VERIFY UTILITY
VULCAN	36S-6BN	12	1	GAS 6-BURNER RANGE	
EXISTING		13	1	EXISTING GAS TILTING SKILLET/BRAISING PAN	
MRS FAB	CUSTOM	14	2	S.S. WORKTABLE	
BLODGETT	BLCP102	15	1	EXISTING COMBI OVEN	RECEPTACLE 16" AFF; GC TO VERIFY UTILITY
DUKE	E101-GV	16	1	EXISTING GAS DOUBLE STACK CONVECTION OVEN	RECEPTACLE 16" AFF; GC TO VERIFY UTILITY
EXISTING		17	2	EXISTING BUN PAN RACK	
MRS FAB	CUSTOM	18	1	S.S. PREP TABLE w/SINK, DISPOSAL & WALL MOUNT OVERSHELF	
SALVAJOR	100-SA-3-MRSS	18A	1	DISPOSER	208/60/3PH; 4.9A; JBOX 16" AFF
EXISTING		19	1	EXISTING FOOD SLICER	RECEPTACLE DFA; GC TO VERIFY UTILITY
BY PLUMBING CONTRACTOR		20	2	HAND SINK	
ICE-O-METIC	CIM0530FA/855PS	21	1	CUBE-STYLE ICE MAKER	115/60/1PH; 17.8A; DIR. WIRE JBOX 60" AFF
CONTINENTAL	DLZWE-PT	22	2	PASS-THRU HEATED CABINET	208-230/60/1PH; 10.6A; JBOX IN FLOOR
CONTINENTAL	DZREMPF	23	2	PASS-THRU REFRIGERATOR	115/60/1PH; 6.4A; NEMA 5-15R IN FLOOR
MRS FAB	CUSTOM	24	2	MOBILE S.S. WORKTABLE	
PIPER	PTS/1014MD2	25	2	TRAY RACK	
MRS FAB	CUSTOM	26A	1	S.S. SERVING LINE	115/208/60/1PH; 10.0/11.8A; STUB UP IN FLOOR
MRS FAB	CUSTOM	26B	1	S.S. SERVING LINE	115/208/60/1PH; 10.0/11.8A; STUB UP IN FLOOR
BY OWNER		27	1	MILK COOLER	RECEPTACLE IN FLOOR; GC TO VERIFY UTILITY
EXISTING		28	2	CASHER STAND	RECEPTACLE 16" AFF; GC TO VERIFY UTILITY
MRS FAB	CUSTOM	29	1	3-COMPARTMENT SINK w/OVERSHELF	
SALVAJOR	100-SA-3-MRSS	30	1	DISPOSER	208/60/3PH; 4.9A; JBOX 16" AFF
MRS FAB	CUSTOM	31	1	SOILED DISHTABLE	
BY OTHERS		32	1	ROLL-UP DOOR	
T&S BRASS	B-7132-U02TS3	33	1	HOSE REEL	
SALVAJOR	S914	34	1	DISPOSAL SYSTEM	208/60/3PH; 3.2A; JBOX 16" AFF
CMA	CMA-180	35	1	EXISTING DISHMACHINE	JBOX 60" AFF; GC TO VERIFY UTILITY
CAPTIVEAIRE	CUSTOM	36	1	CONDENSATE HOOD	208/60/1PH; 2.5A; VERIFY LOCATION
MRS FAB	CUSTOM	37	1	CLEAN DISHTABLE	
MRS FAB	CUSTOM	38	1	PORTABLE SOAK SINK	
GLOBAL	652138GY	39	6	LOCKERS	
BY PLUMBING CONTRACTOR		40	1	MOP SINK	
1880 HOSPITALITY	LOT	41	LOT	WIRE SHELVING	
HOBART	A-200	42	1	EXISTING COUNTERTOP FOOD MIXER	RECEPTACLE DFA; GC TO VERIFY UTILITY
IMC/TEDDY	ASF-2436-SQ	43	1	FLOOR TROUGH	
IMC/TEDDY	FWR-72-SG	44	1	FLOOR TROUGH	

KITCHEN EQUIPMENT ELECTRICAL GENERAL NOTES

- EC TO PROVIDE FINAL CONNECTIONS TO ALL KITCHEN EQUIPMENT ITEMS PER LOCAL, STATE AND NATIONAL ELECTRICAL AND BUILDING CODES
- EC TO VERIFY REQUIREMENTS OF ALL KITCHEN EQUIPMENT ITEMS PROVIDED BY OTHERS AND/OR EXISTING BEFORE ROUGHING IN AND MAKING FINAL CONNECTIONS
- EC TO SIZE ALL CONDUIT, JUNCTION BOXES, PULL BOXES, AND DISCONNECT SWITCHES PER LOCAL, STATE AND NATIONAL ELECTRICAL AND BUILDING CODES
- EC TO FURNISH AND INSTALL ALL MAGNETIC STARTERS, THERMAL OVERLOAD PROTECTION AND DISCONNECT SWITCHES ON ALL MOTORS AND ELEMENTS PER LOCAL, STATE AND NATIONAL ELECTRICAL AND BUILDING CODES
- EC TO WIRE, FURNISH AND INSTALL CONDUIT TO RECEPTACLE JUNCTION BOX AND/OR DISCONNECT SWITCH PRE MOUNTED ON KITCHEN EQUIPMENT
- EC TO FURNISH AND INSTALL ALL CORDS AND PLUGS NOT SUPPLIED WITH KITCHEN EQUIPMENT, CORDS NOT TO TOUCH THE FLOOR
- EC TO INTER CONNECT ALL FIELD AND CONTROL WIRING
- SEE ARCHITECTURAL DRAWINGS FOR CONTINUATION ELECTRICAL OF OUTLETS
- ALL WIRING, CONDUIT, JUNCTION BOXES, RECEPTACLES AND DISCONNECT SWITCHES IN DISH WASHING AREA AND/OR INSIDE WALK-IN COOLER/FREEZER TO BE WATER PROOF
- ROUGH IN REQUIREMENTS FOR OTHER ITEMS ARE TO BE SET FORTH BY OTHERS, THIS PLAN COVERS ONLY KITCHEN EQUIPMENT
- ALL ROUGH IN MATERIAL SHALL BE RUN UNEXPOSED
- LOADS SHOWN ARE KITCHEN EQUIPMENT LOADS ONLY
- KEC SHALL MAKE ALL JUNCTION BOXES EASILY ACCESSIBLE WITHOUT MOVING KITCHEN EQUIPMENT AND SHALL CUT OPENINGS AND PROVIDE A REMOVABLE STAINLESS STEEL COVER IN THE EQUIPMENT IF REQUIRED
- KEC TO PROVIDE ALL CUTOUTS IN THE KITCHEN EQUIPMENT FOR CORDS AND/OR CONDUIT AND FURNISH RUBBER GROMMETS AS REQUIRED
- EC TO FURNISH AND INSTALL SHUNT TRIP BREAKERS REQUIRED FOR THE SHUTOFF OF POWER TO COOKING EQUIPMENT AND INNER WIRE WITH THE FIRE CONTROL SYSTEM
- EC TO INNER CONNECT FIRE CONTROL SYSTEM WITH BUILDING ALARM SYSTEM
- EC TO FURNISH AND INSTALL ALL CONTROL WIRING FOR WALK-INS, DISPOSERS, ETC

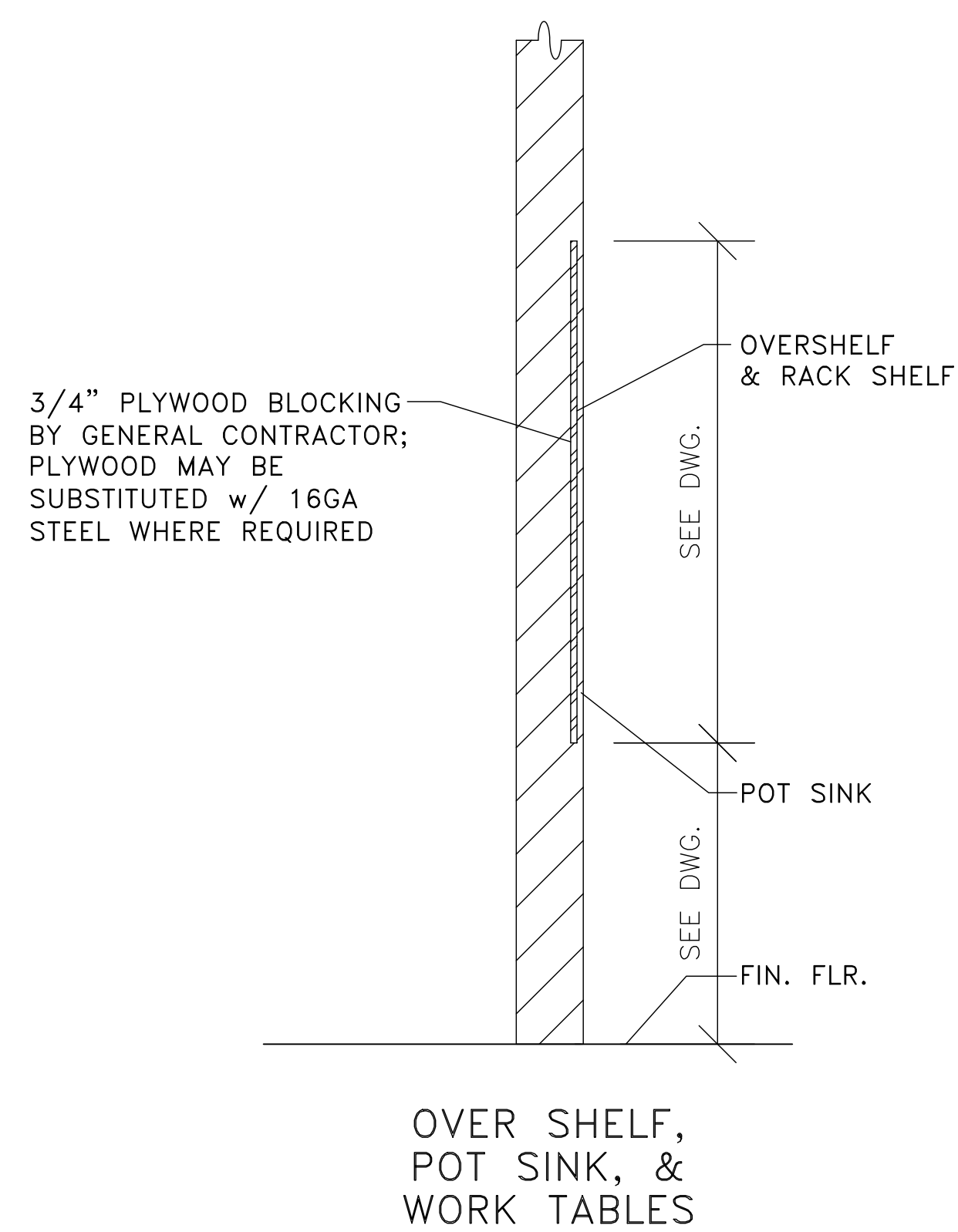
KITCHEN ELECTRICAL LEGEND

- ⊕ - DO - DUPLEX OUTLET
- ⊙ - SO - SINGLE PURPOSE OUTLET
- ⊞ - JB - JUNCTION BOX
- ⊝ - DC - DROP CORD
- ⊞ - JB - EMPTY JUNCTION BOX
- ⊙ - CS - CONDUIT STUB UP OR OUT
- ⊙ - FR - FLUSH FLOOR OUTLET
- ⊞ - DS - DISCONNECT BOX
- ⊕ - LIGHT
- ⊞ - SW - SWITCH
- KEC - KITCHEN EQUIPMENT CONTRACTOR
- EC - ELECTRICAL CONTRACTOR
- AFF - ABOVE FINISHED FLOOR
- CO - CONVENIENCE OUTLET - 16 AMP
- DFA - DROP FROM ABOVE
- SF - STUB UP OUT OF FLOOR
- SW - STUB IN WALL
- A - AMPS
- W - WATTS
- HP - HORSE POWER
- PRP - PRESSURE RELIEF PORT



KITCHEN ELECTRICAL LAYOUT

SCALE: 1/4"=1'-0"



TYPICAL WALL BACKING DETAILS
SCALE: NTS

WALL BACKING LEGEND

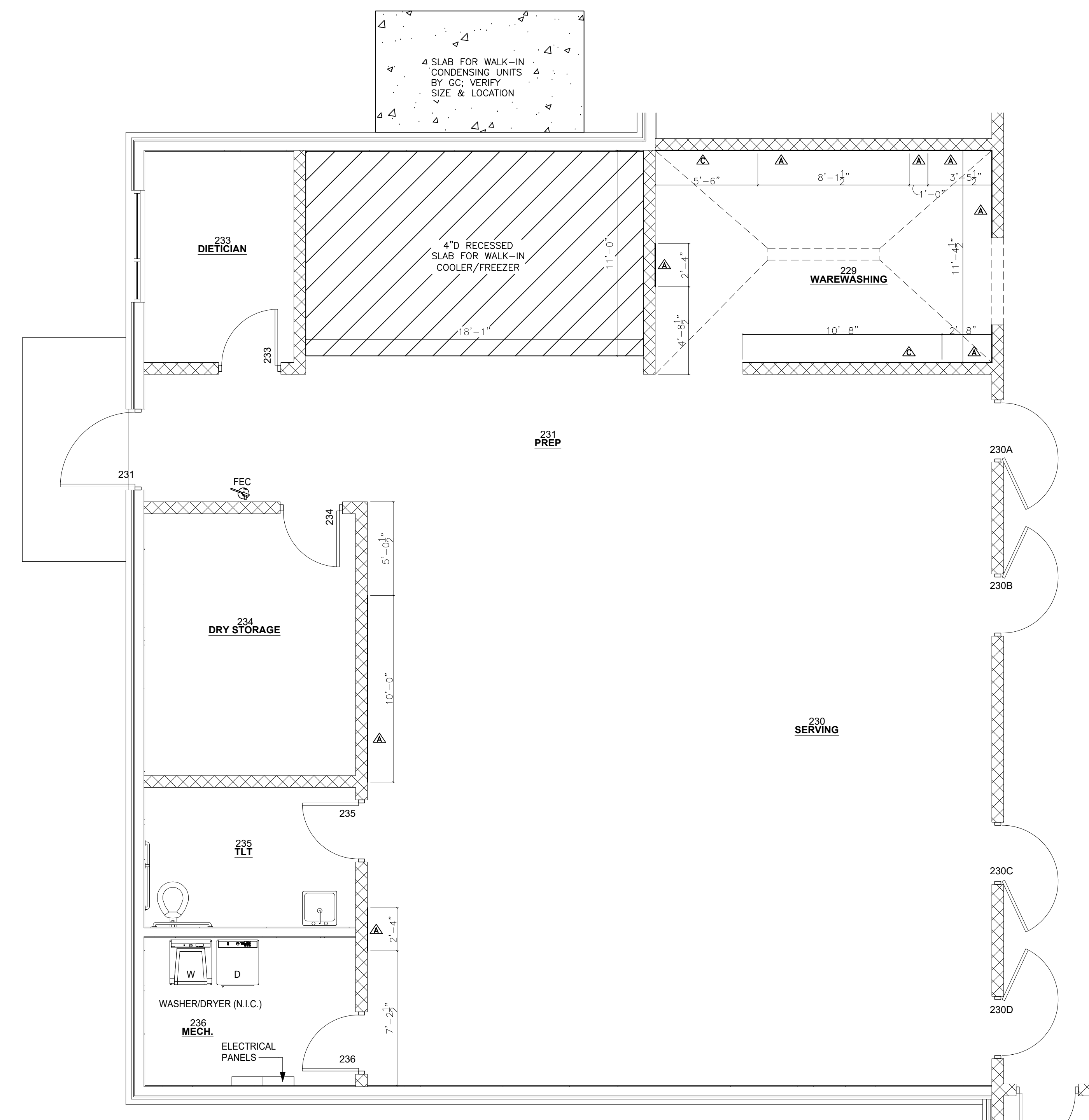
- A** - 5/8" PLYWOOD BLOCKING BY GC FROM 32" TO 48" AFF
- B** - 5/8" PLYWOOD BLOCKING BY GC FROM 48" TO 96"
- C** - 5/8" PLYWOOD BLOCKING BY GC FROM 32" TO 96"
- D** - 16 GAUGE STEEL BACKING BY GC FROM 48" TO 96"

SPECIAL CONDITIONS NOTES

1. CONTRACTOR MUST CORRDINATE AND VERIFY ALL DIMENSIONS WITH FOODSERVICE EQUIPMENT SHOP DRAWINGS AND MANUFACTURER'S DATA DIMENSIONS ARE SHOWN FOR DISIGN AND BIDDING PURPOSES ONLY.
2. G.C. TO FURNISH AND INSTALL 16GA STEEL BACKING IN WALL FOR MOUNTING EQUIPMENT FURNISHED BY SECTION 11400. SECTION 11400 TO FURNISH EXACT DIMENSIONED LOCATIONS.
3. WALK-IN DOORS MUST BE LEFT OPEN WHILE INTERIOR CONCRETE WALK-IN FLOOR CURES.
4. INSTALL PROTECTIVE COVER ON WALK-IN WALLS BEFORE INSTALLING CONCRETE FLOORS & CURBS.

WALL BACKING GENERAL NOTES

- 01 PROVIDE 5/8" PLYWOOD WALL BACKING FOR POT SINK & DISHTABLE "Z" CLIP ATTACHMENT FROM 32" AFF TO 48" AFF
- 02 PROVIDE 5/8" WALL BACKING FOR HAND SINK FROM 32" AFF TO 48" AFF
- 03 PROVIDE 5/8" PLYWOOD WALL BACKING FOR OVERSHELF AND RACK SHELF FROM 48" AFF TO 96" AFF
- 04 5/8" PLYWOOD BLOCKING MAY BE SUBSTITUTED WITH 16 GAUGE STEEL WHERE APPLICABLE



SPECIAL CONDITIONS PLAN

SCALE: 1/4"=1'-0"

FOR QUESTIONS, CALL THE
Tulsa Office
REGION 80
PHONE: (918) 258 - 0291
EMAIL: reg80@captiveaire.com

PATENT NUMBERS

AC-PSP (UNITED STATES) - US PATENT 7963830 B2.
AC-PSP WALL (CANADA) - CA PATENT 2820509.
AC-PSP ISLAND (CANADA) - CA PATENT 2520330.

HOOD INFORMATION - JOB#6831563

HOOD NO	TAG	MODEL	MANUFACTURER	LENGTH	MAX COOKING TEMP	TYPE	APPLIANCE DUTY	DESIGN CFM/FT	TOTAL EXH CFM	EXHAUST PLENUM RISER(S)						MUA CFM	AC CFM	HOOD CONSTRUCTION	HOOD CONFIG		
										WIDTH	LENG	HEIGHT	DIA	CFM	VEL				SP	END TO END	RDW
1	KH-1 (E9)	5424 ND-2-ACPSP-F	CAPTIVEAIRE	13' 0"	600 DEG	I	HEAVY	200	2600			4'	16'	2600	1862	-1.210'	2080	798	430 SS WHERE EXPOSED	ALONE	FRONT
2	KH-2 (E9)	5424 ND-2-ACPSP-F	CAPTIVEAIRE	12' 0"	450 DEG	I	MEDIUM	150	1800			4'	14'	1800	1684	-0.830'	1600	798	430 SS WHERE EXPOSED	ALONE	BACK
3	E-36	4824 VHB-G	CAPTIVEAIRE	3' 7"	700 DEG	II	N/A	150	538			4'	10'	538	986	-0.073'	0	0	430 SS 100%	ALONE	ALONE

HOOD INFORMATION

HOOD NO	TAG	TYPE	FILTER(S)			EFFICIENCY @ 7 MICRONS	QTY	LIGHT(S)			UTILITY CABINET(S)				FIRE SYSTEM PIPING	HOOD HANGING WEIGHT	
			QTY	HEIGHT	LENGTH			TYPE	WIRE GUARD	LOCATION	SIZE	FIRE SYSTEM TYPE	SIZE	ELECTRICAL MODEL #			SWITCHES QUANTITY
1	KH-1 (E9)	CAPTRATE SOLID FILTER	9	16"	16"	85% SEE FILTER SPEC	6	RECESSED ROUND	NO					YES	977 LBS		
2	KH-2 (E9)	CAPTRATE SOLID FILTER	9	16"	16"	85% SEE FILTER SPEC	6	RECESSED ROUND	NO	RIGHT	12"x54"x24"	TANK FS	4.0/4.0/4.0	SC-321110MA	1 LIGHT 1 FAN	YES	1310 LBS
3	E-36						0							NO	175 LBS		

HOOD OPTIONS

HOOD NO	TAG	OPTION
1	KH-1 (E9)	FIELD WRAPPER 17.00" HIGH FRONT, LEFT, RIGHT.
		BACK STANDOFF (FLAT) 12" WIDE 156" LONG.
		STRUCTURAL FRONT PANEL.
		RIGHT VERTICAL END PANEL 27" TOP WIDTH, 21" BOTTOM WIDTH, 80" HIGH INSULATED 430 SS.
2	KH-2 (E9)	FIELD WRAPPER 17.00" HIGH FRONT, LEFT, RIGHT.
		STRUCTURAL FRONT PANEL.
		RIGHT VERTICAL END PANEL 27" TOP WIDTH, 21" BOTTOM WIDTH, 80" HIGH INSULATED 430 SS.
		LEFT VERTICAL END PANEL 27" TOP WIDTH, 21" BOTTOM WIDTH, 80" HIGH INSULATED 430 SS.
3	E-36	FIELD WRAPPER 17.00" HIGH FRONT, LEFT, RIGHT.
		BACKSPLASH 80.00" HIGH X 43.00" LONG 430 SS VERTICAL.

PERFORATED SUPPLY PLENUM(S)

HOOD NO	TAG	POS	LENGTH	WIDTH	HEIGHT	TYPE	RISER(S)				
							WIDTH	LENG	DIA	CFM	SP
1	KH-1 (E9)	Front	156'	24'	6'	MUA			12"	257	0.084"
						MUA			12"	257	0.084"
						MUA			12"	257	0.084"
						MUA			12"	257	0.084"
						MUA			12"	257	0.084"
						MUA			12"	257	0.084"
						MUA			12"	257	0.084"
						AC			8"	114	0.041"
						AC			8"	114	0.041"
						AC			8"	114	0.041"
						AC			8"	114	0.041"
						AC			8"	114	0.041"
						AC			8"	114	0.041"
						AC			8"	114	0.041"
AC			8"	114	0.041"						
2	KH-2 (E9)	Front	156'	22'	6'	MUA			10"	177	0.060"
						MUA			10"	177	0.060"
						MUA			10"	177	0.060"
						MUA			10"	177	0.060"
						MUA			10"	177	0.060"
						MUA			10"	177	0.060"
						MUA			10"	177	0.060"
						AC			8"	114	0.041"
						AC			8"	114	0.041"
						AC			8"	114	0.041"
						AC			8"	114	0.041"
						AC			8"	114	0.041"
						AC			8"	114	0.041"
						AC			8"	114	0.041"
AC			8"	114	0.041"						

CLEARANCE TO COMBUSTIBLES

HOODS #	SURFACE	*CLEARANCE
1	TOP	18"
	FRONT	0"
	BACK	18"
	LEFT	18"
	RIGHT	18"
2	TOP	18"
	FRONT	0"
	BACK	18"
	LEFT	18"
	RIGHT	0"
3	TOP	18"
	FRONT	18"
	BACK	18"
	LEFT	18"
	RIGHT	18"

- *0" CLEARANCE TO COMBUSTIBLES CONFORMS TO UL710 STANDARD.
- HOOD MOUNTED UTILITY CABINETS REQUIRE 36" SERVICE CLEARANCE.

GREASE DUCT & CHIMNEY SPECIFICATIONS:
PROVIDE GREASE DUCT EQUAL TO CAPTIVEAIRE SYSTEMS MODEL "DW" ROUND 20 GAUGE 430 STAINLESS STEEL DUCTWORK. MODEL "DW" IS LISTED TO UL-1978 AND IS INSTALLED USING "V" CLAMP LOCKING CONNECTIONS SEALED WITH 3M FIRE BARRIER 2000 PLUS. MODEL "DW" DOES NOT REQUIRE WELDING PROVIDING IT HAS BEEN INSTALLED PER THE MANUFACTURES INSTALLATION GUIDE.
PROVIDE RATED ACCESS DOORS AT EVERY CHANGE IN DIRECTION AND EVERY 12' ON CENTER. PER MANUFACTURES LISTING MODEL "DW" HORIZONTAL RUNS LESS THAN 75 FT. CAN BE SLOPED 1/16" PER 12", HORIZONTAL RUNS MORE THAN 75 FT. CAN BE SLOPED 3/16" PER 12". DUCT SHOULD BE SLOPED AS MUCH AS POSSIBLE TO REDUCE THE CHANCE OF GREASE ACCUMULATION IN HORIZONTAL RUNS.
IF THE DUCT OR CHIMNEY IS WITHIN 18 INCHES OF COMBUSTIBLE MATERIAL, PROVIDE UL-2221 OR UL-103 HT LISTED DOUBLE WALL GREASE DUCT OR DOUBLE WALL CHIMNEY EQUAL TO CAPTIVEAIRE SYSTEMS MODEL "DW- 2R, 2R TYPE HT, 3R, OR 3Z" ROUND 20 GAUGE 430 STAINLESS INNER DUCT INSULATED WITH A 24 GAUGE 430 STAINLESS OUTER SHELL.

CAPTIVEAIRE SYSTEMS RECOMMENDS THE USE OF LISTED, PRE-FABRICATED ROUND GREASE EXHAUST DUCT TO REDUCE STATIC PRESSURE IN THE SYSTEM, MINIMIZE INSTALLATION AND INSPECTION TIMES, AND ENSURE DUCT IS LIQUID TIGHT

HVAC DISTRIBUTION NOTE
HIGH VELOCITY DIFFUSERS OR HVAC RETURNS SHOULD NOT BE PLACED WITHIN TEN (10) FEET OF THE EXHAUST HOOD. PERFORATED DIFFUSERS ARE RECOMMENDED.

VERIFY CEILING HEIGHT
____' - ____"
HEIGHT REQUIRED TO VERIFY THAT HOOD FITS SPACE AND TO SIZE THE ENCLOSURE PANELS

CUSTOMER APPROVAL TO MANUFACTURE:

APPROVED AS NOTED
APPROVED WITH NO EXCEPTION TAKEN
REVISE AND RESUBMIT
SIGNATURE _____
YOUR TITLE _____ DATE _____

SPECIFICATION: CAPTRATE® GREASE-STOP® SOLID FILTER

THE CAPTRATE GREASE-STOP SOLID FILTER IS A SINGLE-STAGE FILTER FEATURING A UNIQUE S-BAFFLE DESIGN IN CONJUNCTION WITH A SLOTTED REAR BAFFLE DESIGN, TO DELIVER EXCEPTIONAL FILTRATION EFFICIENCY.

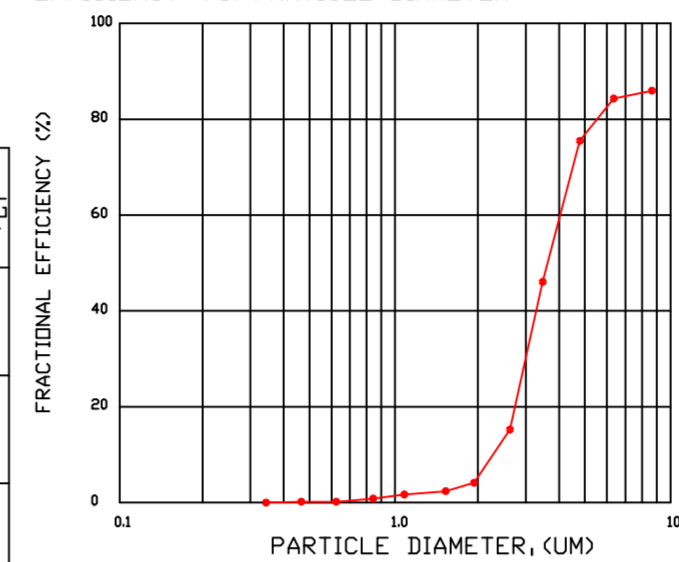
FILTER IS STAINLESS STEEL CONSTRUCTION, AND SIZED TO FIT INTO STANDARD 2-INCH DEEP HOOD CHANNEL(S).

UNITS SHALL INCLUDE STAINLESS STEEL HANDLES AND A FASTENING DEVICE TO SECURE THE TWO COMPONENTS WHEN ASSEMBLED.

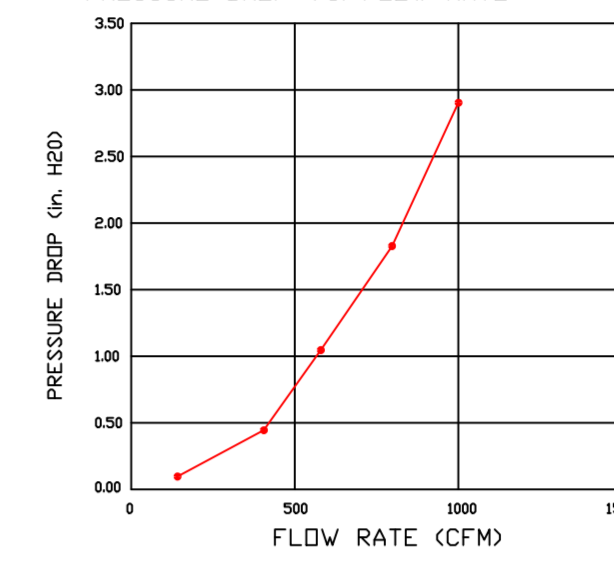
GREASE EXTRACTION EFFICIENCY PERFORMANCE SHALL REMOVE AT LEAST 75% OF GREASE PARTICLES FIVE MICRONS IN SIZE, AND 85% GREASE PARTICLES SEVEN MICRONS IN SIZE AND LARGER, WITH A CORRESPONDING PRESSURE DROP NOT TO EXCEED 1.0 INCHES OF WATER GAUGE.

THE CAPTRATE GREASE-STOP SOLID WAS TESTED TO ASTM STANDARD ASTM F2519-05. MANUFACTURER APPROVED FOR USE IN SOLID FUEL APPLICATIONS AS A SPARK ARRESTER.

EFFICIENCY VS. PARTICLE DIAMETER



PRESSURE DROP VS. FLOW RATE



CAPTRATE FILTERS ARE BUILT IN COMPLIANCE WITH:
NFPA #96.
NSF STANDARD #2.
UL STANDARD #1046.
INT. MECH. CODE (IMC).
ULC-S649.



REVISIONS

DESCRIPTION	DATE

CAPTIVEAIRE

Tulsa Office
www.captiveaire.com

12101 East 51st Street, Suite 101A, Tulsa, OK, 74146 PHONE: (918) 258 - 0291 FAX: 9192275947 EMAIL: reg80@captiveaire.com

JCI Primary School Addition
193 School Street,
Hartman, AR, 72840

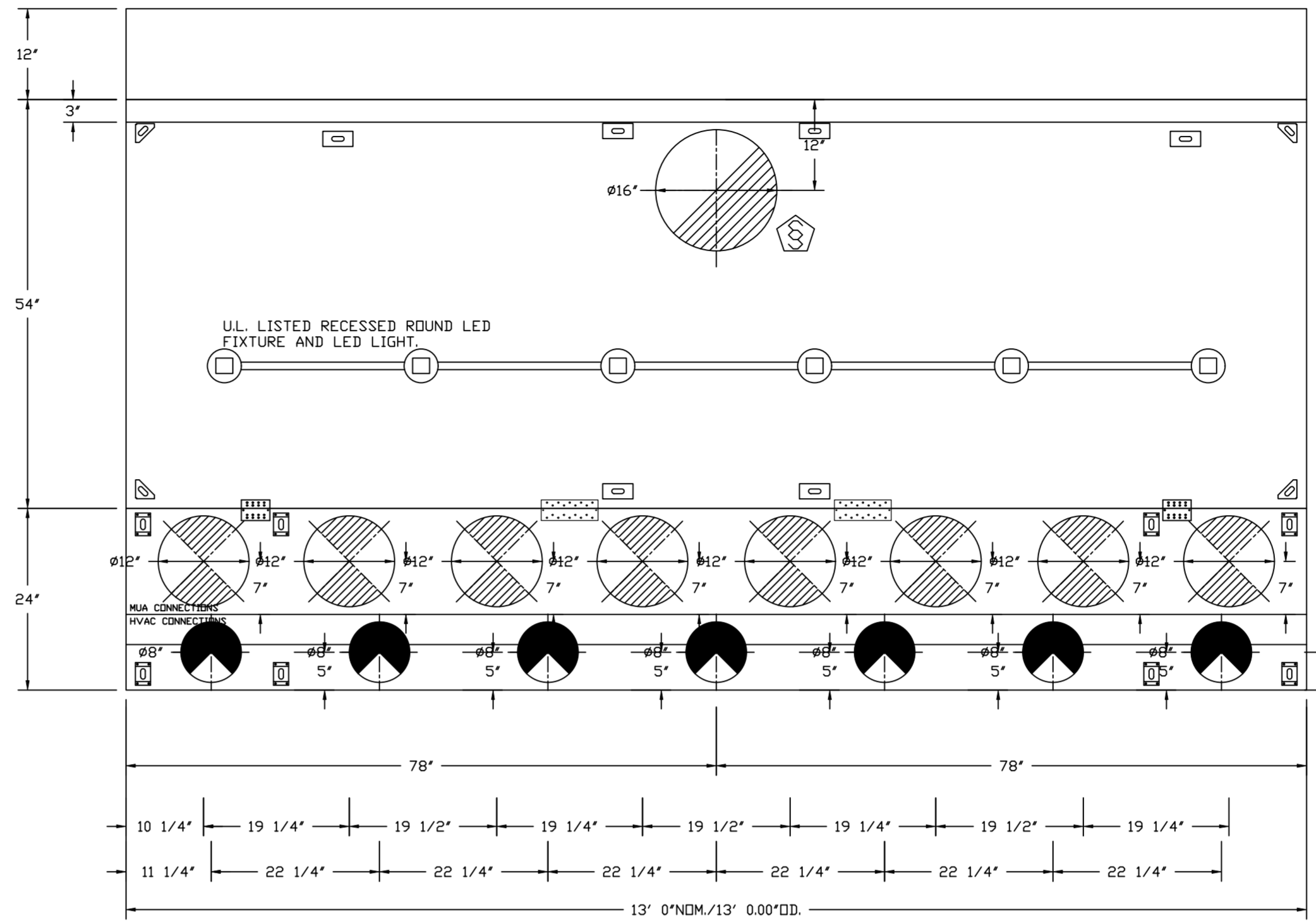
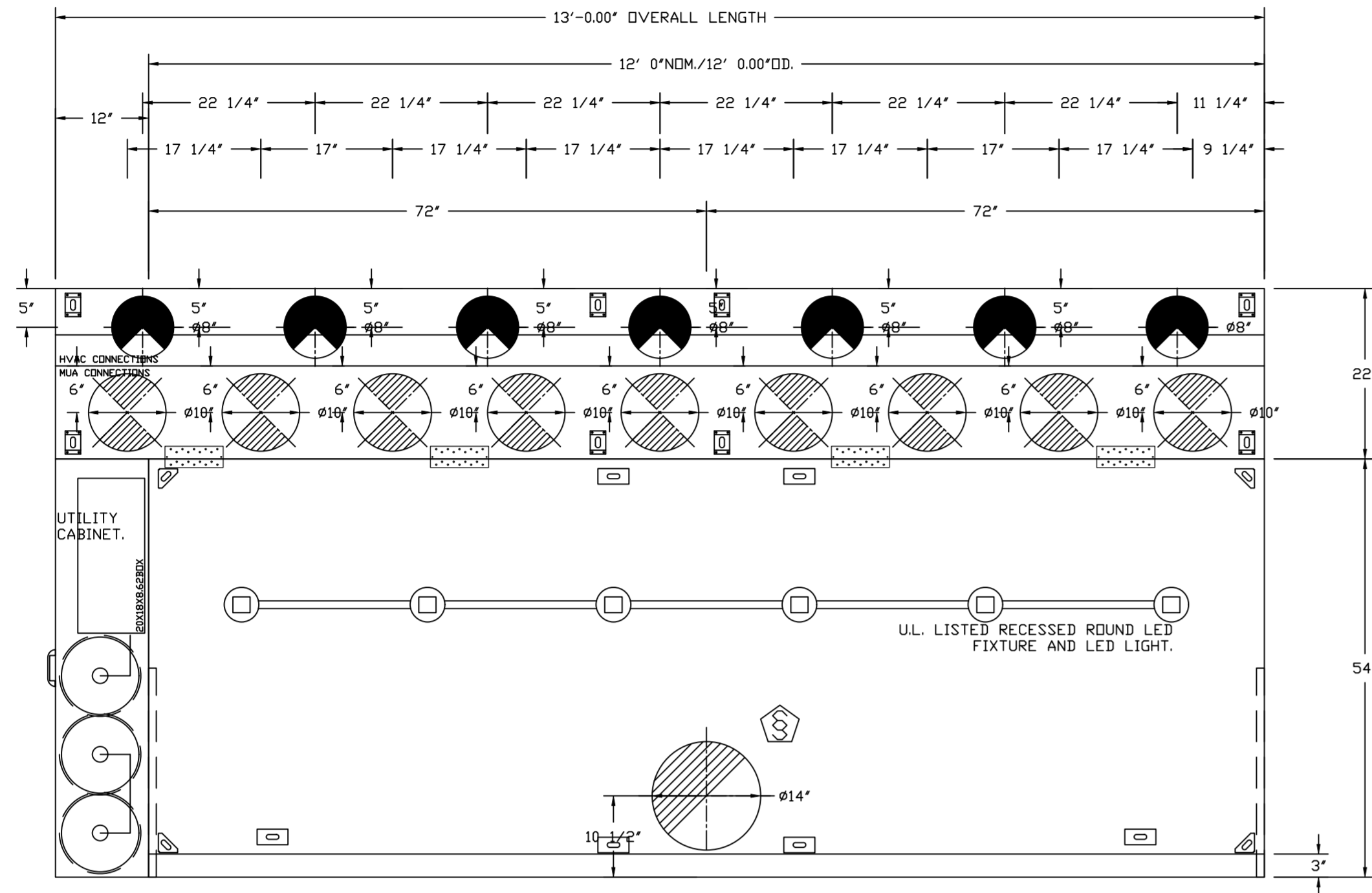
DATE: 6/6/2024
DWG.#: 6831563
DRAWN BY: TMA
SCALE: 3/4" = 1'-0"
MASTER DRAWING

SHEET NO.
1

NOTE: ADDITIONAL HANGING ANGLES PROVIDED FOR HOODS 12' AND LONGER.

PLAN VIEW - HOOD #2 (KH-2 (E9))
12' 0.00" LONG 5424ND-2-ACPSP-F

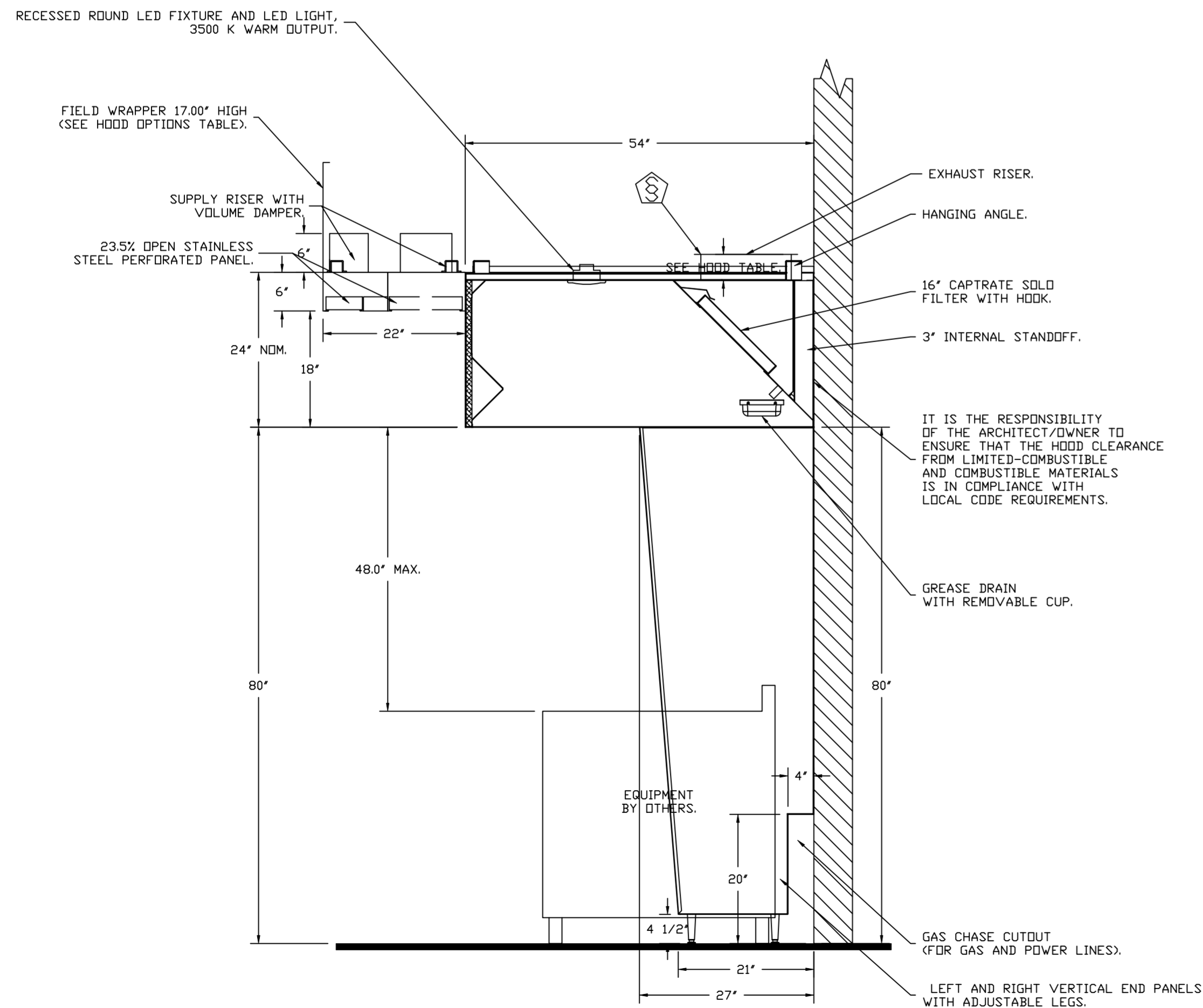
ACPSP SHIPS LOOSE FOR FIELD INSTALLATION



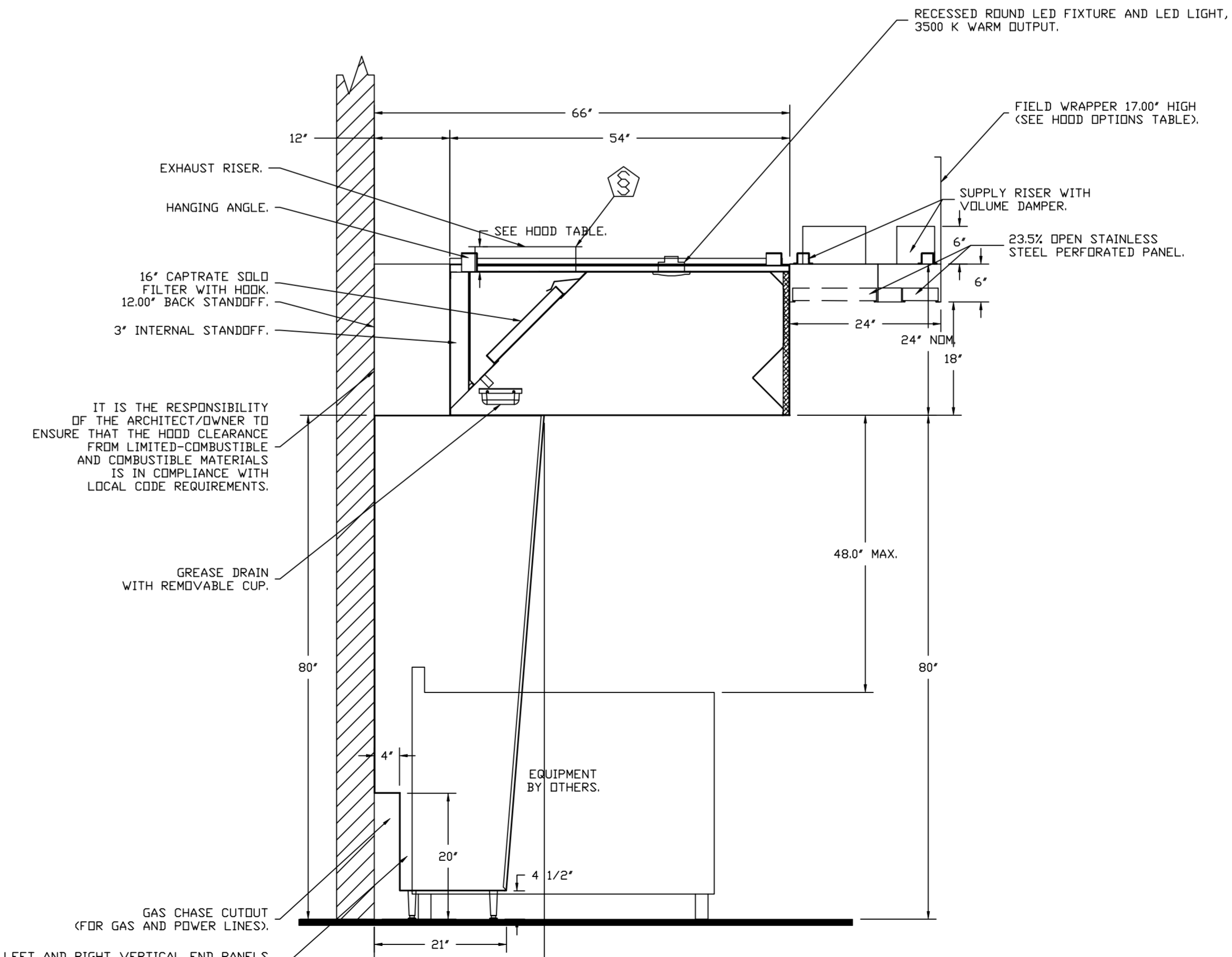
PLAN VIEW - HOOD #1 (KH-1 (E9))
13' 0.00" LONG 5424ND-2-ACPSP-F

NOTE: ADDITIONAL HANGING ANGLES PROVIDED FOR HOODS 12' AND LONGER.

ACPSP SHIPS LOOSE FOR FIELD INSTALLATION



SECTION VIEW - MODEL 5424ND-2-ACPSP-F
HOOD - #2 (KH-2 (E9))



SECTION VIEW - MODEL 5424ND-2-ACPSP-F
HOOD - #1 (KH-1 (E9))

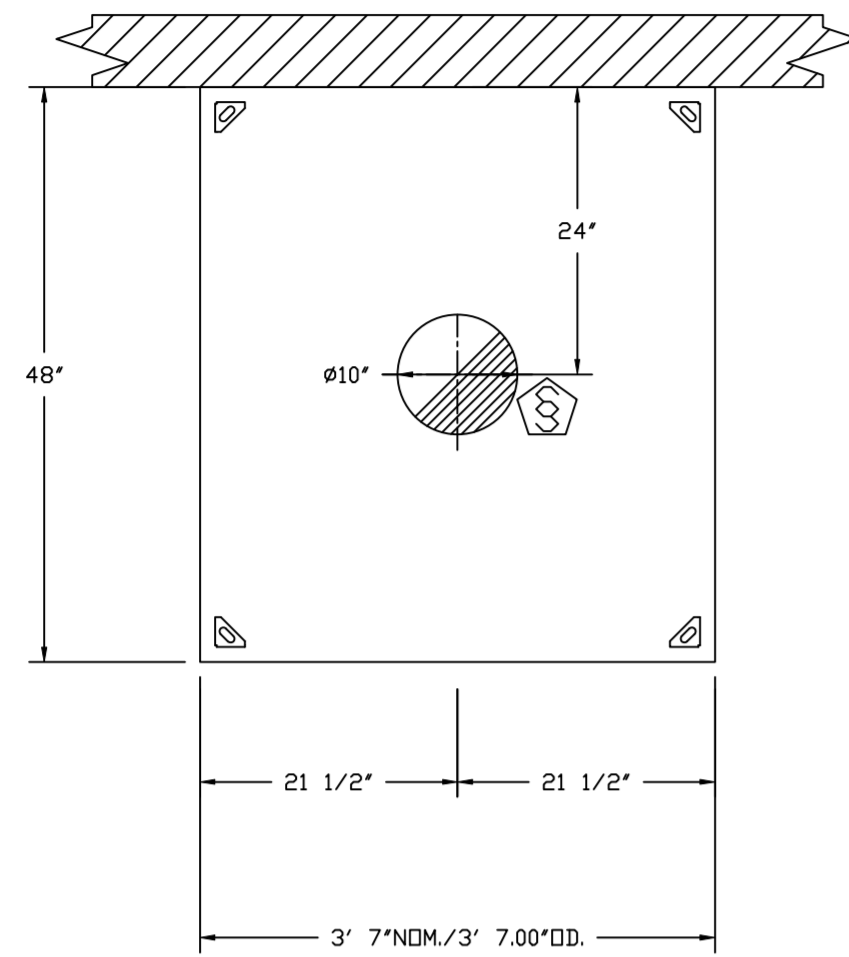
REVISIONS	
DESCRIPTION	DATE

www.captiveair.com
Tulsa Office
12101 East 51st Street, Suite 101A, Tulsa, OK, 74146 PHONE: (918) 258-0291 FAX: 9192275947 EMAIL: reg80@captiveair.com

JCI Primary School Addition
193 School Street,
Hartman, AR, 72840

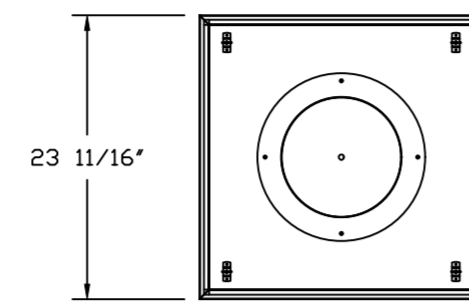
DATE: 6/6/2024
DWG.#: 6831563
DRAWN BY: TMA
SCALE: 3/4" = 1'-0"
MASTER DRAWING

SHEET NO. 2

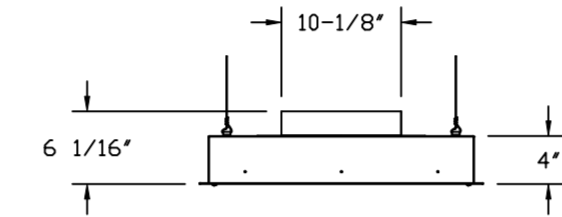
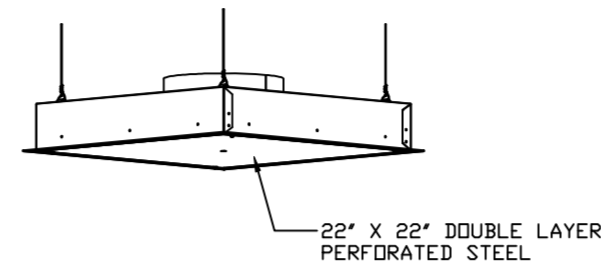


PLAN VIEW - HOOD #3 (E-36)
3' 7.00" LONG 48.24VHB-G

QTY 6-DROP-IN PERFORATED SUPPLY PLENUM DIFFUSER (DI-PSP)



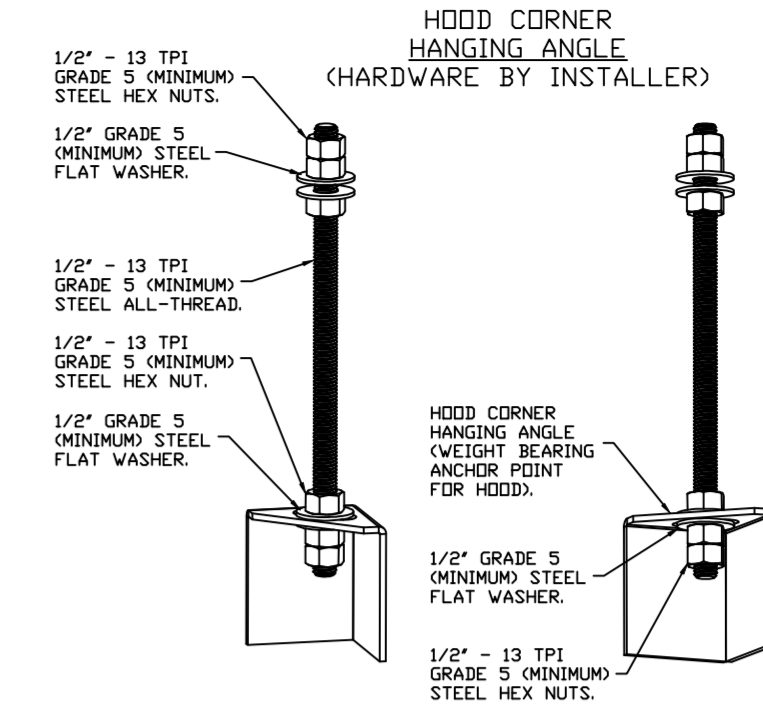
FEATURES:
STAINLESS STEEL PERFORATION AND TRIM
REMOVABLE PERFORATION FOR PLENUM CLEANING
DOUBLE PERFORATION FOR EVEN AIR DISTRIBUTION
1/2" THICK INSULATION ON EXTERIOR TOP AND SIDES
APPROX. WEIGHT = 20 LBS



STEEL HANGING WIRE
MINIMUM 2 PLACES, DIAGONAL CORNERS (BY OTHERS)

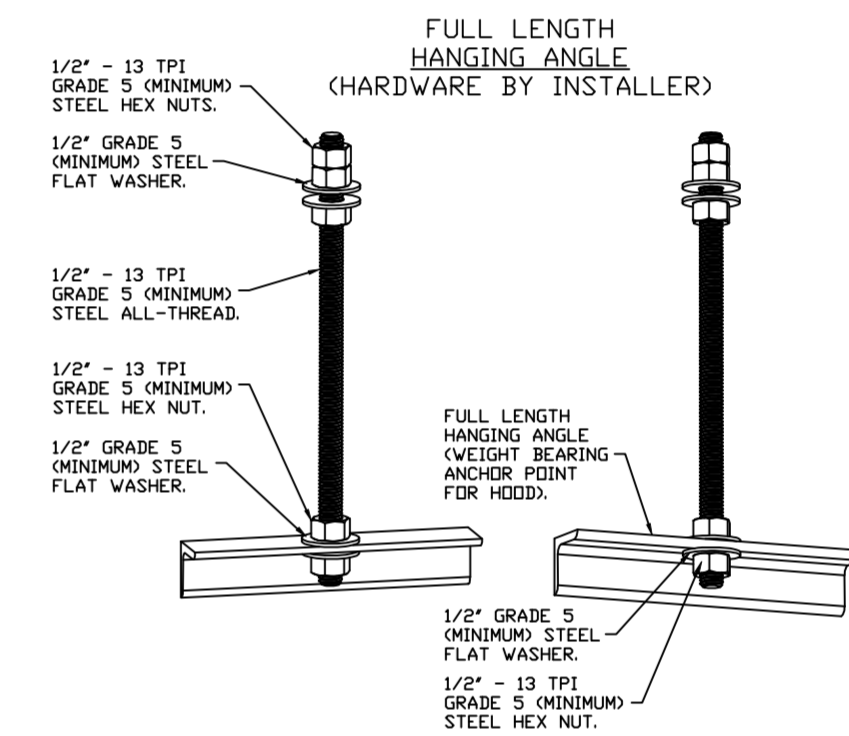
CFM	VERTICAL THROW DATA (FT)		
	T150	T100	T50
600	1.25'	3.00'	7.75'
500	0.50'	2.50'	6.25'
400	---	1.25'	4.50'
300	---	---	3.75'
200	---	---	0.50'

INSTALLATION NOTES:
INTENDED FOR INSTALLATION IN LAY IN (DROP) CEILINGS
INSTALL SLIDING RADIAL DAMPER ON TOP SIDE OF COLLAR



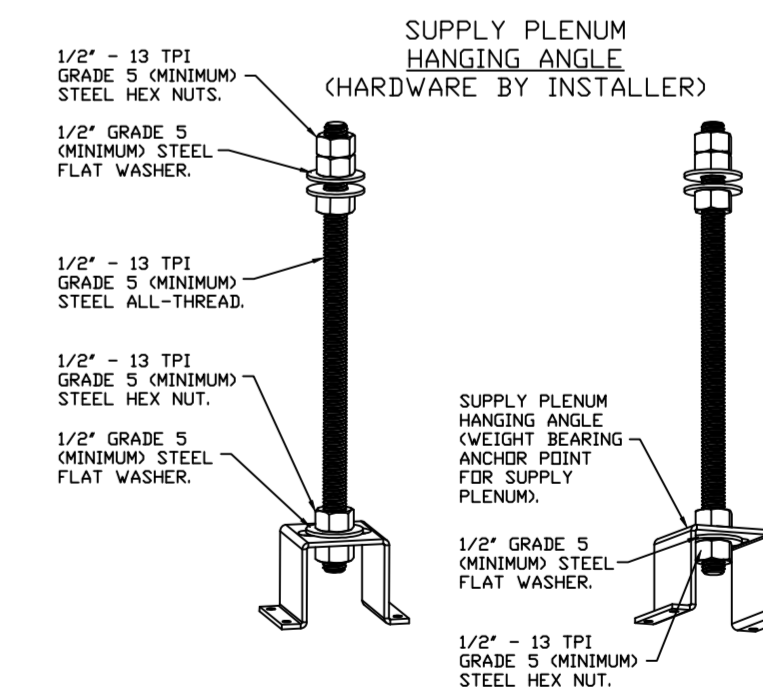
ASSEMBLY INSTRUCTIONS

HANGING ANGLE MUST BE SUPPORTED WITH 1/2" - 13 TPI GRADE 5 (MINIMUM) ALL-THREAD, SANDWICH HANGING ANGLES AND CEILING ANCHOR POINTS WITH 1/2" GRADE 5 (MINIMUM) STEEL FLAT WASHERS AND 1/2" - 13 TPI GRADE 5 (MINIMUM) HEX NUTS AS SHOWN. MUST USE DOUBLED HEX NUT CONFIGURATION BENEATH HOOD HANGING ANGLES AND ABOVE CEILING ANCHORS. MAINTAIN 1/4" OF EXPOSED THREADS BENEATH BOTTOM HEX NUT. TORQUE ALL HEX NUTS TO 57 FT-LBS.



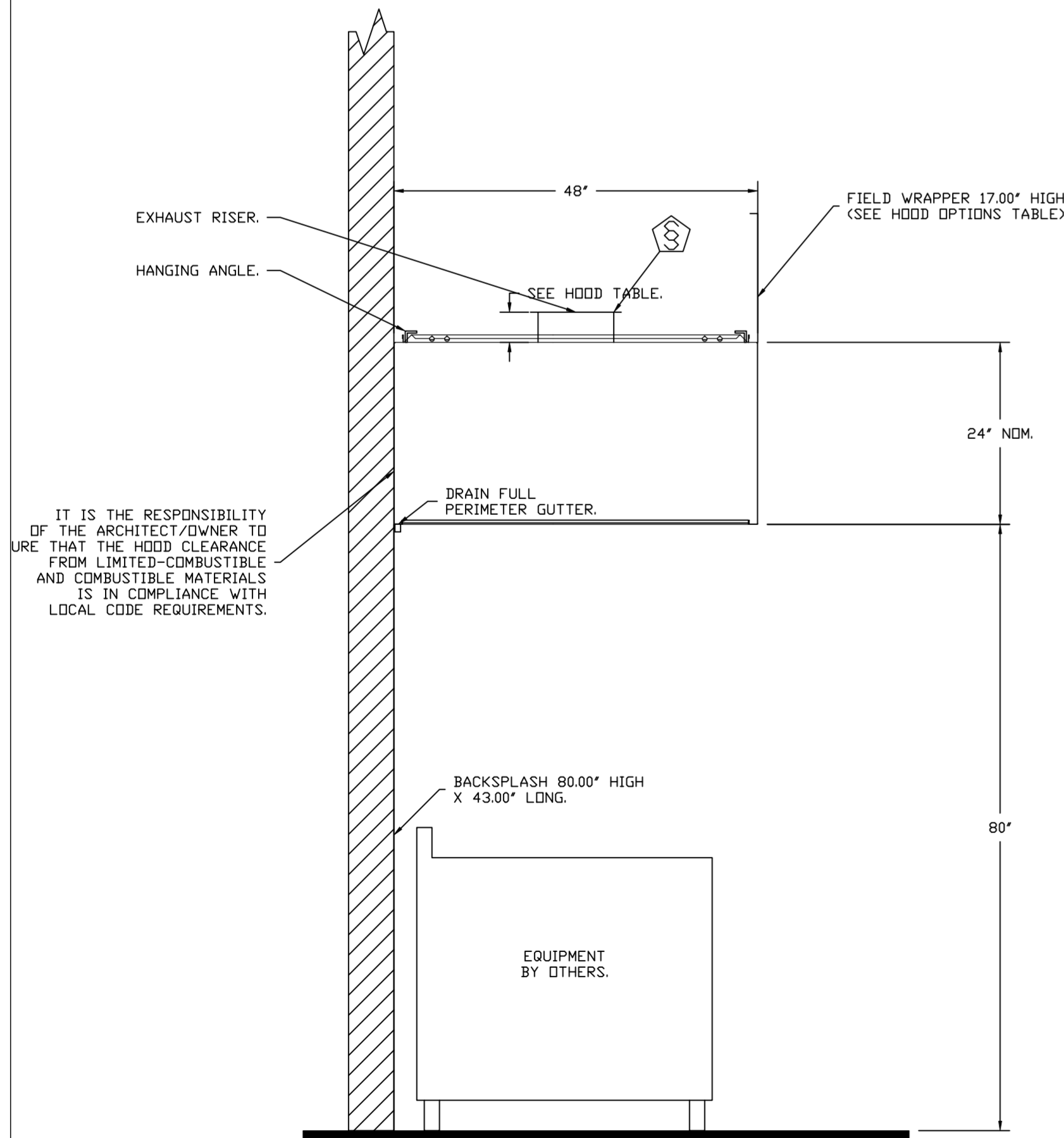
ASSEMBLY INSTRUCTIONS

HANGING ANGLE MUST BE SUPPORTED WITH 1/2" - 13 TPI GRADE 5 (MINIMUM) ALL-THREAD, SANDWICH HANGING ANGLES AND CEILING ANCHOR POINTS WITH 1/2" GRADE 5 (MINIMUM) STEEL FLAT WASHERS AND 1/2" - 13 TPI GRADE 5 (MINIMUM) HEX NUTS AS SHOWN. MUST USE DOUBLED HEX NUT CONFIGURATION ABOVE CEILING ANCHORS. SINGLE HEX NUT BENEATH HANGING ANGLE IS ACCEPTABLE FOR FULL LENGTH HANGING ANGLES. MAINTAIN 1/4" OF EXPOSED THREADS BENEATH BOTTOM HEX NUT. TORQUE ALL HEX NUTS TO 57 FT-LBS.



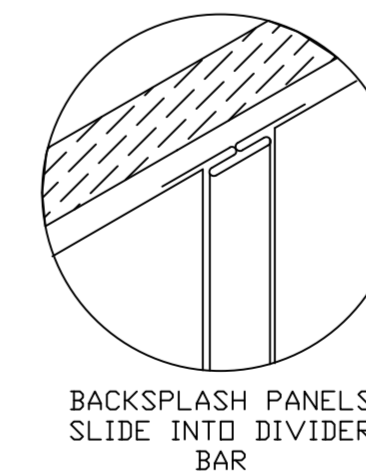
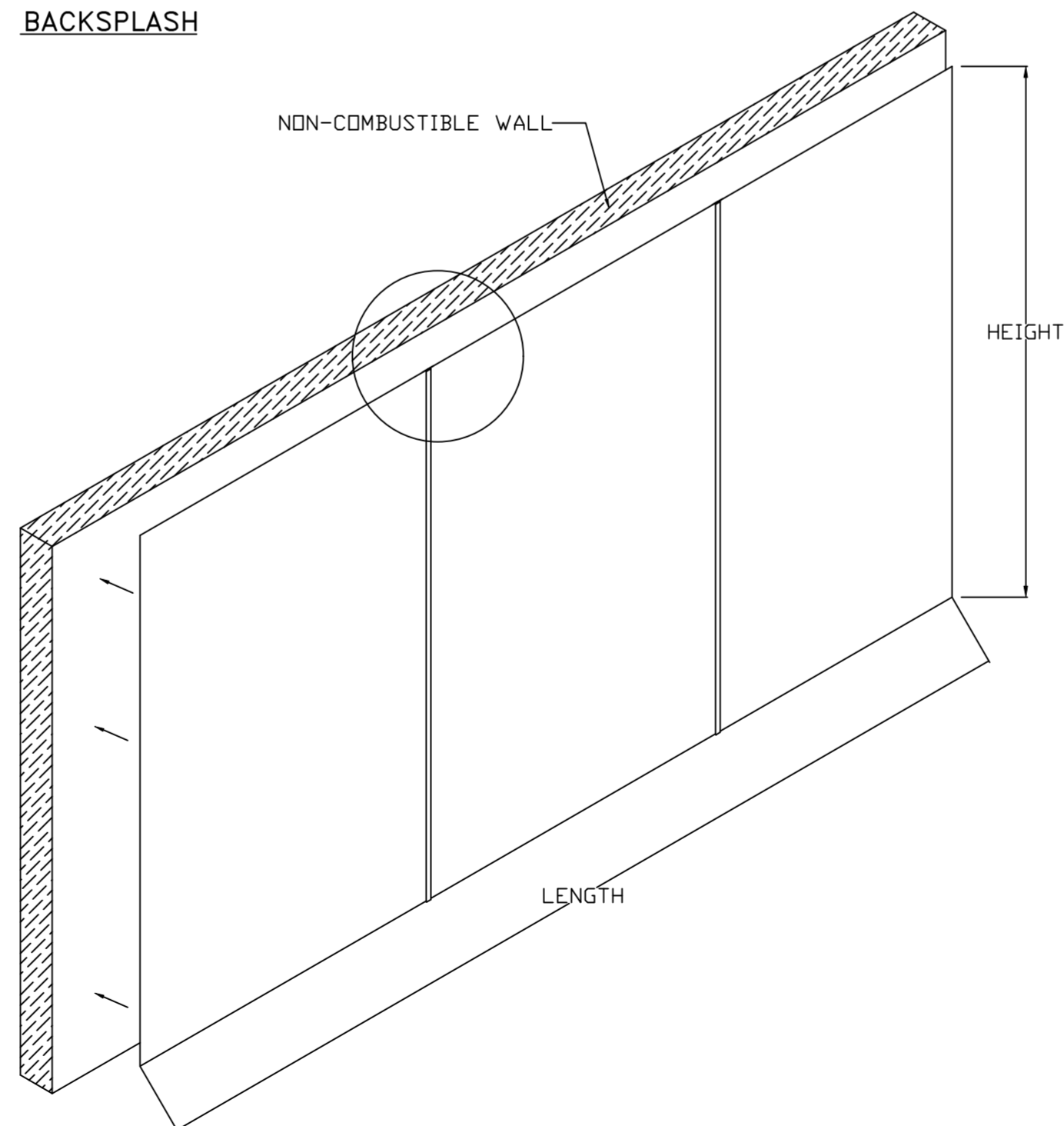
ASSEMBLY INSTRUCTIONS

HANGING ANGLE MUST BE SUPPORTED WITH 1/2" - 13 TPI GRADE 5 (MINIMUM) ALL-THREAD, SANDWICH HANGING ANGLES AND CEILING ANCHOR POINTS WITH 1/2" GRADE 5 (MINIMUM) STEEL FLAT WASHERS AND 1/2" - 13 TPI GRADE 5 (MINIMUM) HEX NUTS AS SHOWN. MUST USE DOUBLED HEX NUT CONFIGURATION ABOVE CEILING ANCHORS. SINGLE HEX NUT BENEATH HANGING ANGLE IS ACCEPTABLE FOR PSP HANGING ANGLES. MAINTAIN 1/4" OF EXPOSED THREADS BENEATH BOTTOM HEX NUT. TORQUE ALL HEX NUTS TO 57 FT-LBS.



SECTION VIEW - MODEL 4824VHB-G
HOOD - #3 (E-36)

BACKSPASH



- BACKSPASH IS NOT INSULATED AND IS UNSUITABLE FOR INSTALL AGAINST COMBUSTIBLE WALLS

REVISIONS

DESCRIPTION	DATE



CAPTIVE AIR
www.captiveaire.com
Tulsa Office
12101 East 51st Street, Suite 101A, Tulsa, OK, 74146
PHONE: (918) 258-0291 FAX: 9192275947 EMAIL: reg80@captiveaire.com

JCI Primary School Addition
193 School Street,
Hartman, AR, 72840

DATE: 6/6/2024

DWG.#:
6831563

DRAWN BY: TMA

SCALE:
3/4" = 1'-0"

MASTER DRAWING

SHEET NO.
3

FIRE SYSTEM INFORMATION - JOB#6831563

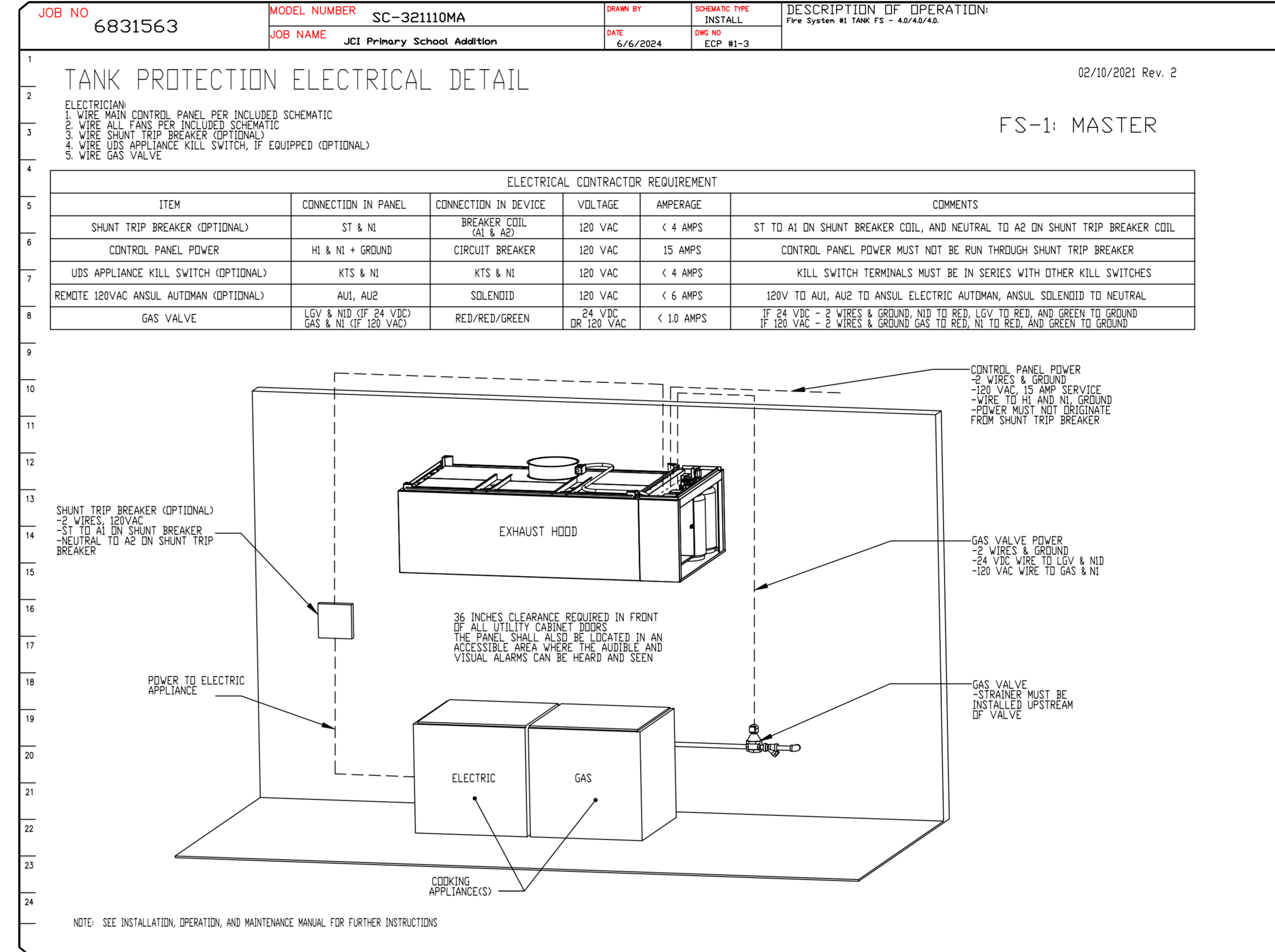
FIRE SYSTEM NO	TAG	TYPE	SIZE	MAX FP	DESIGN FP	INSTALLATION	
						SYSTEM	LOCATION ON HOOD
1		TANK FS	4.0/4.0/4.0	60	54	FIRE CABINET RIGHT	RIGHT, HOOD 2

GAS VALVE(S)

FIRE SYSTEM NO	TAG	TYPE	SIZE	SUPPLIED BY
1		SC ELECTRICAL	2.000	CAPTIVEAIRE SYSTEMS

FIRE SYSTEM PARTS LIST KEY

FIRE SYSTEM NO	TAG	KEY NUMBER - PART DESCRIPTION	QTY BY FACTORY	QTY BY DIST
0 - 0 -		TANK FIRE SUPPRESSION MAINTENANCE GUIDE UTILITY CABINET LABEL SHEET.	1	0
0 - 0 -		TANK FIRE SUPPRESSION POST-DISCHARGE PROCEDURE UTILITY CABINET LABEL SHEET.	1	0
0 - 0 -		12-F28021-32144-01-360 DUCT FIRE THERMOSTAT WITH 12 FOOT WIRE LEADS. NO, CLOSE ON TEMP RISE AT 360°F. (A0034310).	2	0
0 - 0 -		32-00002 QUIK SEAL - 1/2" (UL).	2	0
0 - 0 -		361091 3/8" BRASS PLUG.	4	0
0 - 0 -		4429K153 1/2" MALE NPT TO 1/2" FEMALE NPT ELBOW, BRASS.	3	0
0 - 0 -		4429K422 1/2" X 1/4" BRASS REDUCING BUSHING.	2	0
0 - 0 -		79425 3/8" NPT FEMALE TO 1/2" MALE PROPRESS ADAPTER.	4	0
0 - 0 -		79525 1/2" 90 PRO-PRESS ELBOW WITH 1/2" NPT FEMALE CONNECTION, VIEGA.	2	0
0 - 0 -		79580 1/2" X 1/2" PRO-PRESS TEE X 1/2" NPT FEMALE CONNECTION, VIEGA.	3	0
0 - 0 -		87-120042-001 SECONDARY ACTUATOR VALVE (SVA) - SINGLE ACTUATOR, REQUIRES PRIMARY RELEASE ACTUATOR, TANK FIRE SUPPRESSION.	2	0
0 - 0 -		87-120045-001 HOSE, SECONDARY ACTUATOR HOSE, 7.5' BRAIDED STAINLESS STEEL, TANK FIRE SUPPRESSION.	2	0
0 - 0 -		87-300001-001 TANK - PRESSURIZED TANK USED FOR TANK FIRE SUPPRESSION.	3	0
0 - 0 -		87-300030-001 PRIMARY ACTUATOR KIT (PAK) - ACTUATOR AND RELEASE SOLENOID ASSEMBLY, ONE NEEDED PER FIRE SYSTEM, SUPERVISED, TANK FIRE SUPPRESSION.	1	0
0 - 0 -		87-300152-001 HARDWARE, SVA BOLTS, TANK FIRE SUPPRESSION.	12	0
0 - 0 -		9055455PC PRO PRESS 1/2 PRESS X PRESS 90 ELBOW LD.	18	0
0 - 0 -		9097200PC PRO PRESS PC611 1/2 PRESS TEE LD.	10	0
0 - 0 -		98694A115 HARDWARE, DATANKLOCK LOCKING BRACKET SQUARE NUTS 5/16" ZINC, TANK FIRE SUPPRESSION.	6	0
0 - 0 -		A0034332 JUNCTION BOX FOR MANUAL PULL STATION. 1.5" DEEP BACK BOX, RED COLOR.	1	0
0 - 0 -		A31484 1/4" NPT SCHRADER VALVE AND CAP, JB INDUSTRIES. 1/4" FLARE X 1/4" MPT HALF UNION. USED ON TANK SERVICE PORT.	2	0
0 - 0 -		B1145 3/8" BLACK IRON 90 ELL.	6	0
0 - 0 -		DATANKLOCK DISCHARGE ADAPTER TANK LOCKING PLATE FOR FIRE SYSTEM TANK INSTALLATION IN UTILITY CABINETS, TANK FIRE SUPPRESSION.	3	0
0 - 0 -		SLPCDN-15FT SUPERVISED LOOP CONNECTION KIT. CONTAINS THE PARTS NEEDED TO CONNECT THE SUPERVISED LOOP BETWEEN END TO END HOODS WITH LESS THAN A 14' GAP OR BACK TO BACK HOODS. KIT CONTAINS 17 FEET OF BLACK MG WIRE, 17 FEET OF TAN MG WIRE, 15 FEET OF FLEXIBLE CONDUIT, AND TWO 7/8" CONNECTORS.	2	0
0 - 0 -		SLPCDN-30FT SUPERVISED LOOP CONNECTION KIT. CONTAINS THE PARTS NEEDED TO CONNECT THE SUPERVISED LOOP BETWEEN HOODS WITH UP TO 29' GAP. KIT CONTAINS 32 FEET OF BLACK MG WIRE, 32 FEET OF TAN MG WIRE, 30 FEET OF FLEXIBLE CONDUIT, AND TWO 7/8" CONNECTORS.	1	0
0 - 0 -		TANK STRAP TANK STRAP - USED FOR TANK FIRE SUPPRESSION.	9	0
0 - 0 -		TFS-UCTANKBRACKET TANK BRACKET FOR FIRE SYSTEM TANK INSTALLATION IN UTILITY CABINETS, TANK FIRE SUPPRESSION.	3	0
0 - 0 -		WK-283952-000 DISCHARGE ADAPTER, TANK FIRE SUPPRESSION.	3	0
16 - 16 -		79210 1/2" X 3/8" NPT MALE ADAPTER, VIEGA.	12	0
16 - 16 -		DL-F NOZZLE - TANK PROTECTION APPLIANCE COVERAGE NOZZLE (INCLUDES METAL BLOW OFF CAP, LANYARD, USED WITH CHROME-PLATED PIPE).	12	0
26 - 26 -		QSA-3/8 QUIK SEAL - 3/8" (UL).	12	0
34 - 34 -		A0034331 24VDC SINGLE ACTION MANUAL ACTUATION DEVICE (PUSH/PULL STATION) WITH PROTECTIVE COVER, ONE (1) NORMALLY OPEN CONTACT. RED COLOR.	1	0



REVISIONS	
DESCRIPTION	DATE

Tulsa Office

12101 East 51st Street, Suite 101A, Tulsa, OK, 74146 PHONE: (918) 258 - 0291 FAX: 9192275947 EMAIL: reg80@captiveaire.com

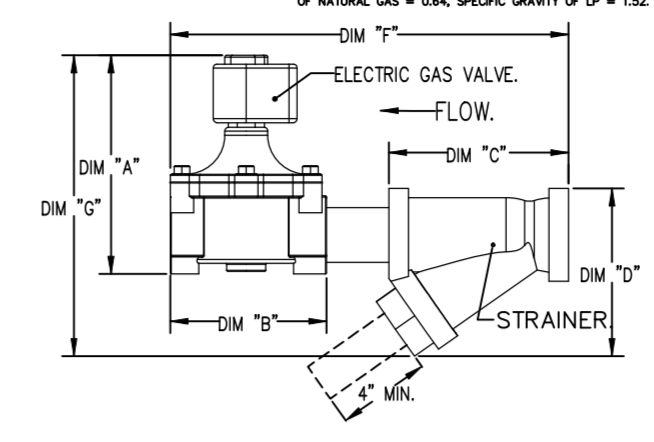
JCI Primary School Addition
193 School Street,
Hartman, AR, 72840

DATE: 6/6/2024
DWG.#: 6831563
DRAWN BY: TMA
SCALE: 3/4" = 1'-0"
MASTER DRAWING

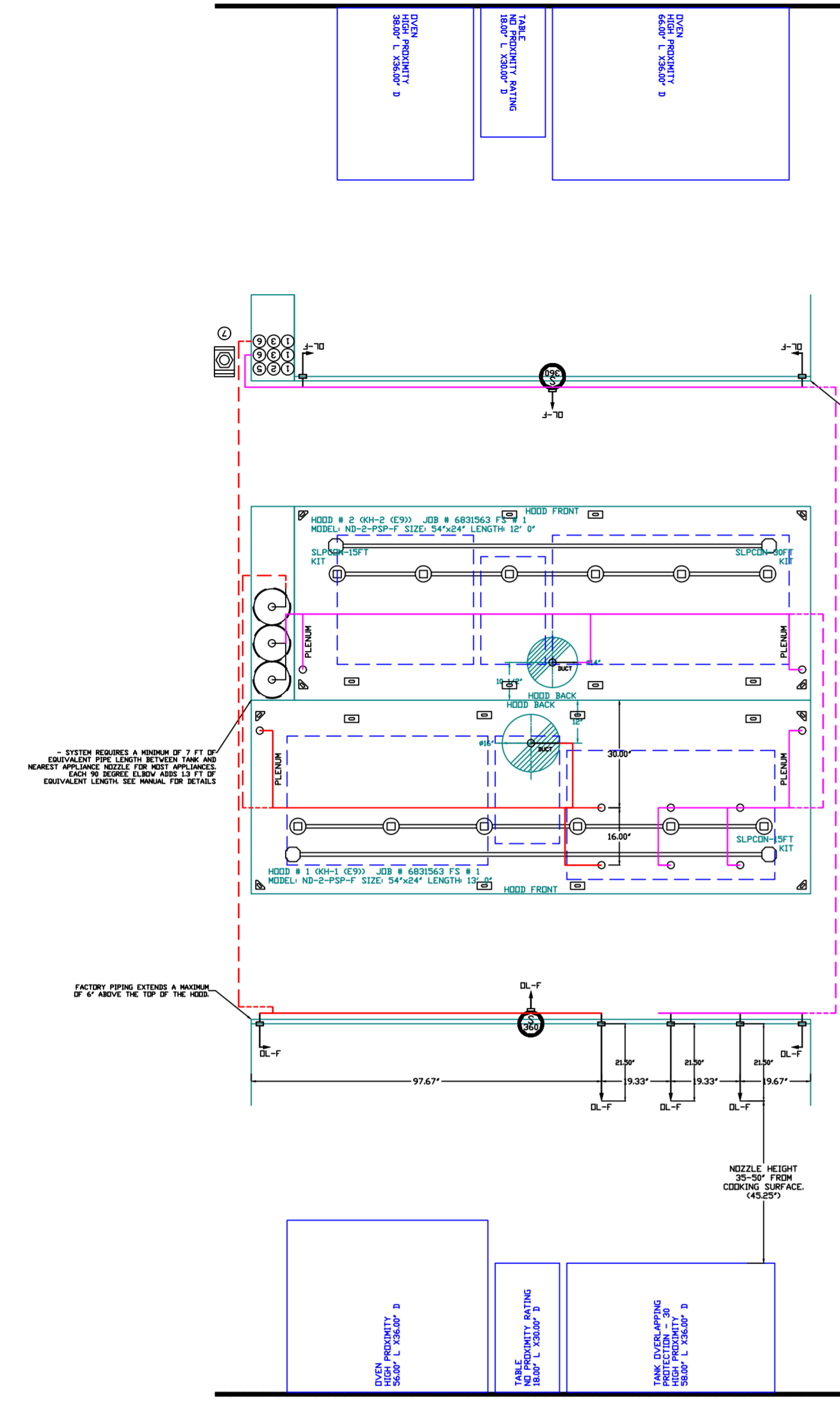
SHEET NO.
4

INCLUDES: FIELD INSTALLATION AND HOOKUP DURING NORMAL BUSINESS HOURS BY CERTIFIED INSTALLERS ONLY IN THE LOCATION NOTED ABOVE. TWO SITE VISITS ONLY ONE VISIT TO SET FLOOR STATION & SYSTEM HEADUP AND ONE VISIT FOR ONE TEST. ADDITIONAL VISITS WILL RESULT IN ADDITIONAL CHARGES. ONE PERSONAL OR ELECTRICAL GAS VALVE PER SYSTEM AT A MAXIMUM SIZE OF 2" PERMITS AND SYSTEM TEST. EXCLUDES: UNDER LASSER & PREVAILING WAGE LABOR & WAGES WILL BE ADDED IF APPLICABLE. GAS VALVE INSTALLATION, ELECTRICAL, HOOKUP AND CONNECTIONS, HANGING OF FIRE CABINET, SHUNT TRIP, HANDHELD EXTINGUISHER(S), ON-SITE RE-PIPPING DUE TO EQUIPMENT LAYOUT CHANGES.

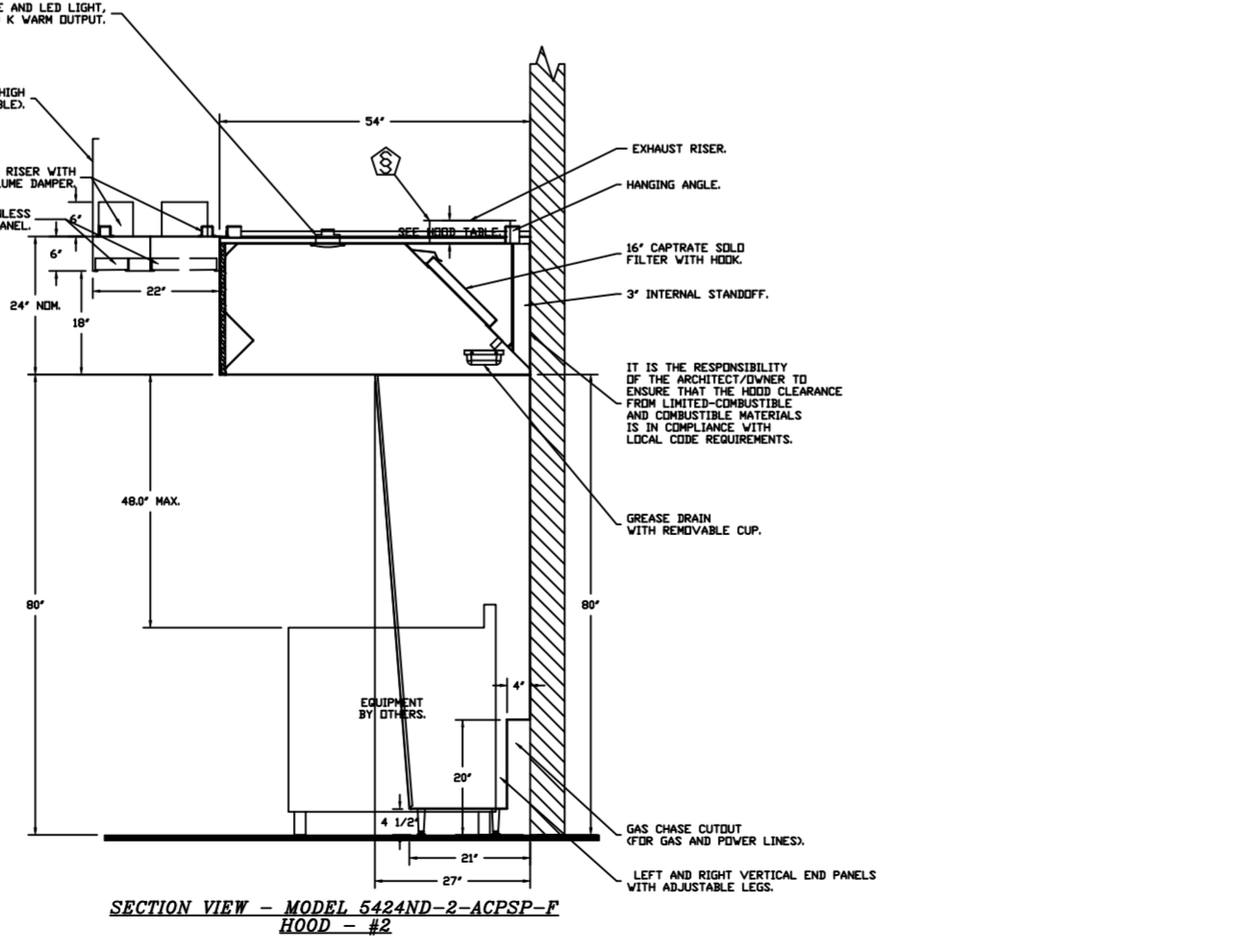
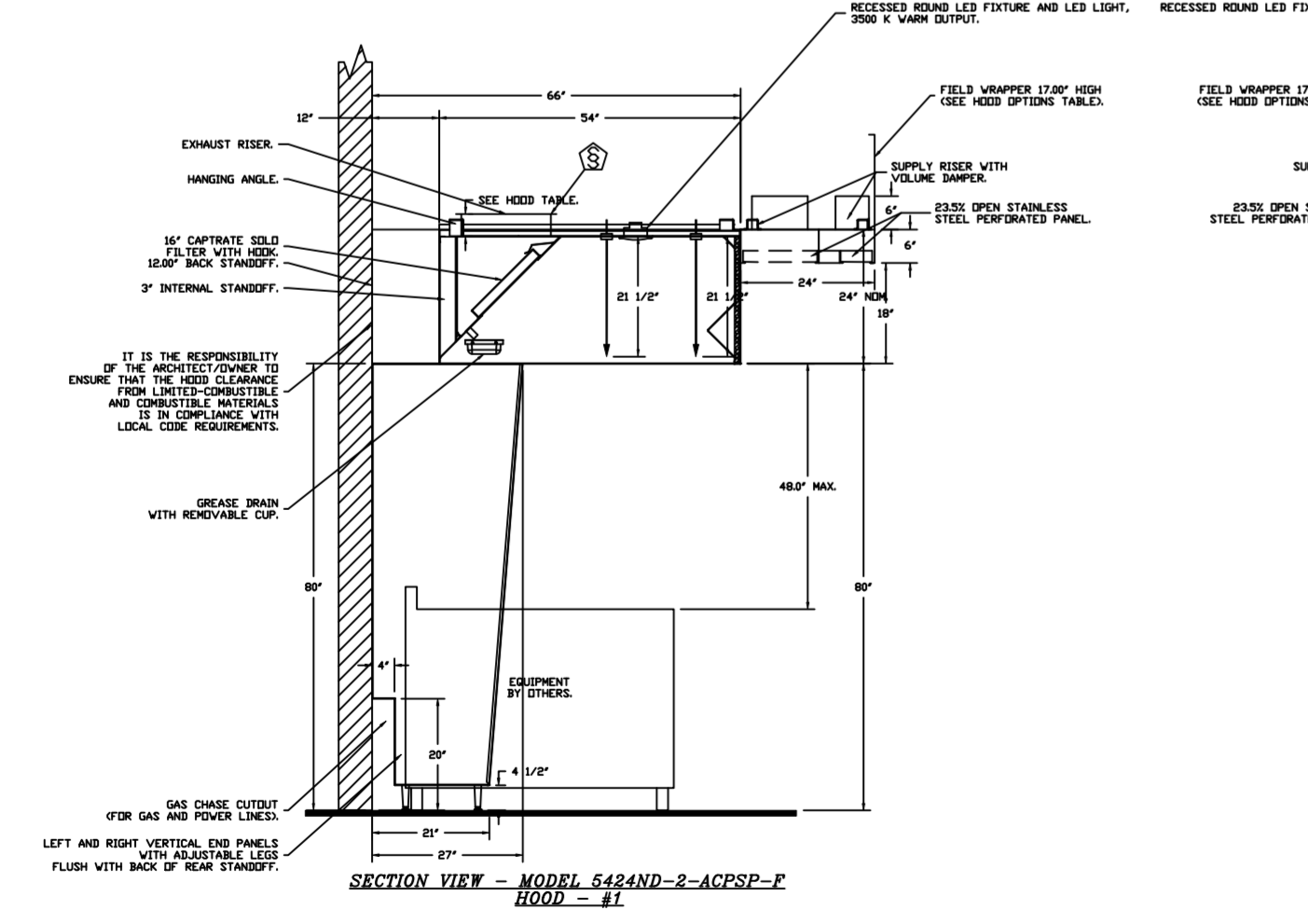
GAS VALVES AND STRAINERS									
GAS VALVE SIZING					GAS VALVE DIMENSIONS				
PIPE	SIZE	VOLTAGE	MIN. INLET PRESSURE	MAX. INLET PRESSURE	FLOW AT 1 IN.W.C. (GPM)	FLOW AT 1 IN.W.C. (SCFH)	DIM "A"	DIM "C"	DIM "D"
ELECTRICAL	2"	120 VAC	0 PSIG	15 PSIG	2,840,000 BTU/HR	1,000,000 BTU/HR	7-5/8"	6-3/8"	7-1/4"



PROPER CLEARANCE MUST BE PROVIDED IN ORDER TO SERVICE THE STRAINER. A MINIMUM OF 4" CLEARANCE DISTANCE MUST BE PROVIDED TO THE STRAINER. CLEARANCE MUST BE MAINTAINED TO THE STRAINER. CLEARANCE MUST BE MAINTAINED TO THE STRAINER. CLEARANCE MUST BE MAINTAINED TO THE STRAINER.



- NOTES**
- FIELD PIPE DROPS AS SHOWN.
 - PIPING, ELBOWS, TEES, AND NOZZLES SUPPLIED BY CAS.
 - FIELD INSTALLED DRIP: FACTORY WILL PROVIDE QTY 2 60IN LONG PIECES OF CHROME PLATED PIPING SHIPPED LOOSE TO BE FIELD-INSTALLED.
 - SHIP LOOSE DROP: FACTORY WILL PROVIDE THE EXACT CHROME PIPE LENGTH NEEDED SHIPPED LOOSE TO BE FIELD-INSTALLED.
 - RELOCATE NOZZLES IF FLOW PATTERN IS BLOCKED BY SHELVEING, SALAMANDERS, ETC.
 - OVERLAPPING COVERAGE SHALL NOT BE USED ON ANY APPLIANCE WITH AN OBSTRUCTION.
 - IF APPLICABLE, EXTENDED PRE-PIPED DROPS ARE SHIPPED LOOSE.
 - FACTORY PIPING EXTENDS A MAXIMUM OF 6" ABOVE THE TOP OF THE HOOD.
 - APPLIANCE DIMENSIONS LISTED REPRESENT THE COOKING SURFACE SIZE, NOT THE OVERALL APPLIANCE SIZE.
 - THIS FIRE SYSTEM COMPLIES WITH UL 300 REQUIREMENTS.
 - DL-F NOZZLE PART NUMBER REPLACES 3070-3/8H-10-SS.
- JOB #:** 6831563
JOB NAME: JCI PRIMARY SCHOOL ADDITION
- SYSTEM SIZE:** TANK-SP-3 DESIGN FP: 54 MAXIMUM FP: 60
HOOD # 1: 13" 0.00" LONG x 54" WIDE x 24" HIGH
RISER # 1: SIZE 1/2" DIA.
HOOD # 2: 12" 0.00" LONG x 54" WIDE x 24" HIGH
RISER # 2: SIZE 1/2" DIA.
HOOD # 3: 12" 0.00" LONG x 54" WIDE x 24" HIGH
RISER # 3: SIZE 1/2" DIA.
- HEAVY-DUTY APPLIANCES (RATED 600°F) WILL REQUIRE AN ADDITIONAL DOWNSTREAM FIRESTOP IN THE EVENT THAT THE DUCTWORK CONTAINS ANY HORIZONTAL RUNS OVER 25 FT IN LENGTH.
 - MEDIUM TO LIGHT-DUTY APPLIANCES (RATED 450°F) WILL NOT REQUIRE ANY ADDITIONAL DOWNSTREAM FIRE DETECTION.
- LEGEND - FIRE CABINET TANK SYSTEM**
- 1 4 GALLON TANK.
 - 2 PRIMARY ACTUATOR RELEASE.
 - 3 SECONDARY ACTUATOR RELEASE.
 - 4 PRESSURE SUPERVISION SWITCH.
 - 5 PRIMARY HOSE ASSEMBLY.
 - 6 SECONDARY HOSE ASSEMBLY.
 - 7 REMOTE MANUAL ACTUATION DEVICE.



REVISIONS

DESCRIPTION	DATE

CAPTIVE

www.captivefire.com

Tulsa Office

12101 East 51st Street, Suite 101A, Tulsa, OK, 74146 PHONE: (918) 258-0291 FAX: 9192275947 EMAIL: reg80@captivefire.com

JCI Primary School Addition
 193 School Street,
 Hartman, AR, 72840

DATE: 6/6/2024

DWG.#: 6831563

DRAWN BY: TMA

SCALE: 3/8" = 1'-0"

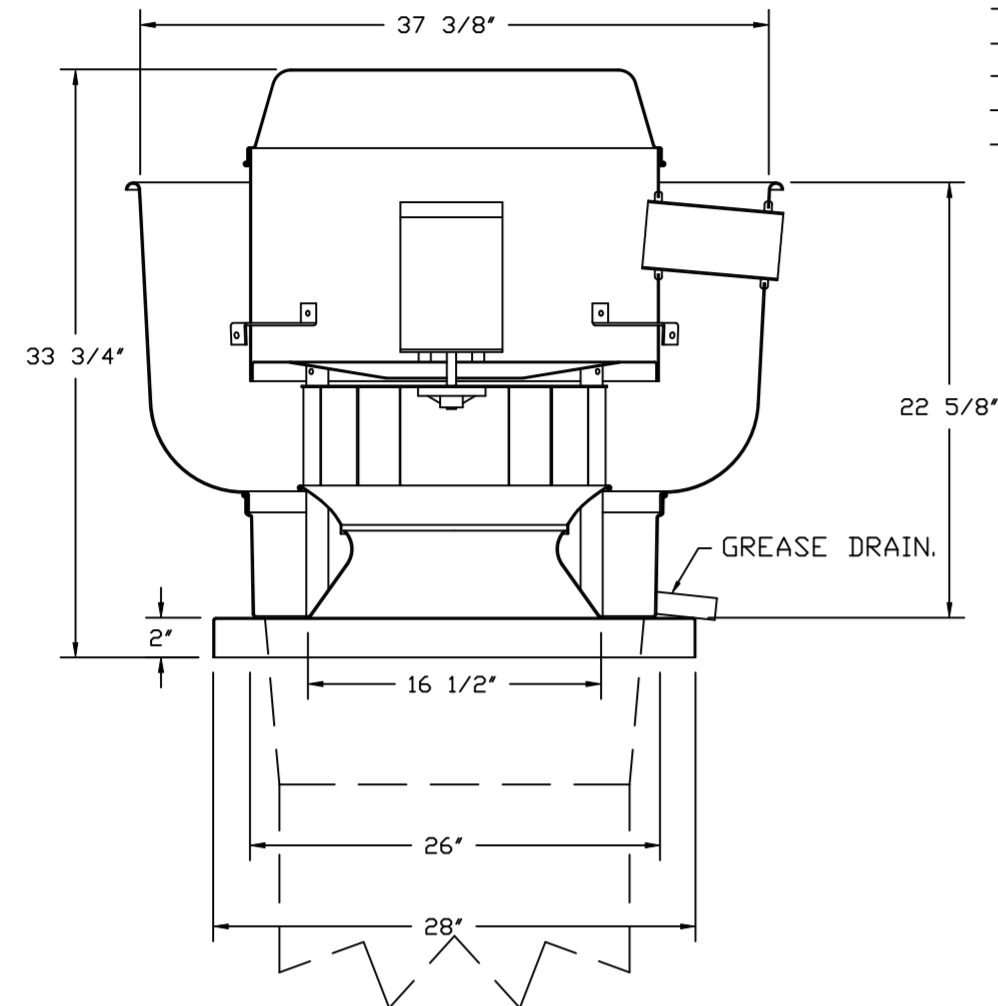
MASTER DRAWING

SHEET NO.
5

EXHAUST FAN INFORMATION - JOB#6831563

FAN UNIT NO	TAG	QTY	FAN UNIT MODEL #	MANUFACTURER	CFM	ESP	RPM	MOTOR ENCL	HP	BHP	PHASE	VOLT	FLA	DISCHARGE VELOCITY	WEIGHT (LBS)	SONES
1	KEF-1	1	DU180HFA	CAPTIVEAIRE	2600	1.500	1251	DDP,PREMIUM	2.000	1.3480	3	208	7.2	600 FPM	232	17.5
2	KEF-2	1	DU85HFA	CAPTIVEAIRE	1800	1.100	1416	TEAD-ECM	1.000	0.5020	1	208	6.9	570 FPM	99	13
4	E-36	1	DU33HFA	CAPTIVEAIRE	538	0.250	1074	TEAD-ECM	0.333	0.0750	1	208	2.5	266 FPM	68	8.2

FAN #1 DU180HFA - EXHAUST FAN (KEF-1)



FEATURES:

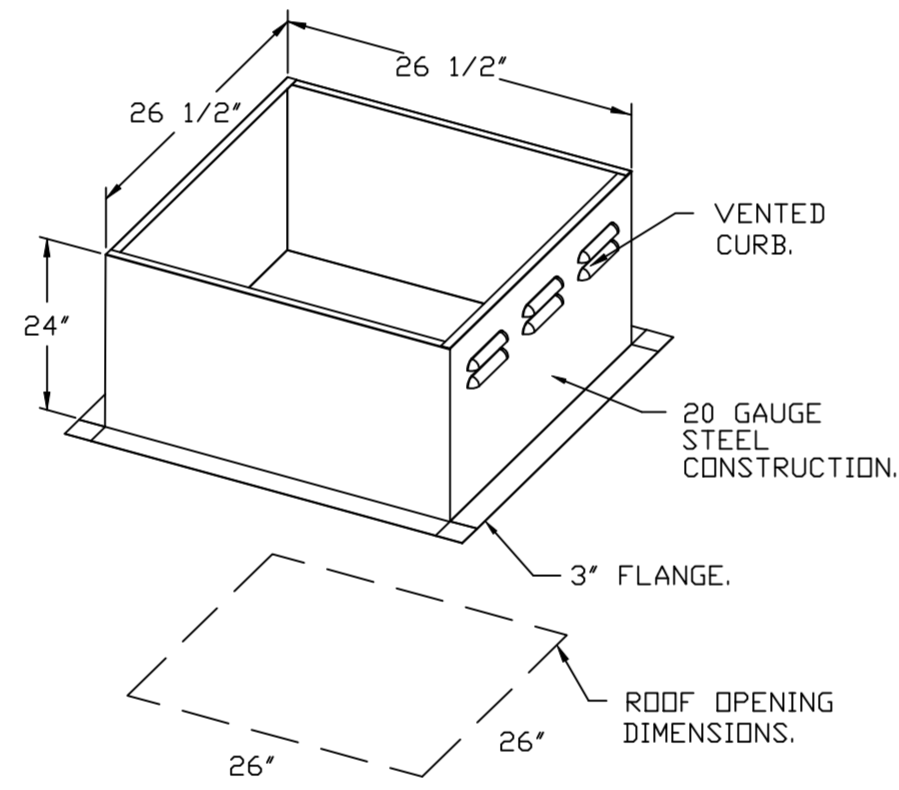
- DIRECT DRIVE CONSTRUCTION (NO BELTS/PULLEYS).
- ROOF MOUNTED FANS.
- RESTAURANT MODEL.
- UL705 AND UL762 AND ULC-S645
- VARIABLE SPEED CONTROL.
- INTERNAL WIRING.
- THERMAL OVERLOAD PROTECTION (SINGLE PHASE).
- HIGH HEAT OPERATION 300°F (149°C).
- GREASE CLASSIFICATION TESTING.
- NEMA 3R SAFETY DISCONNECT SWITCH.

NORMAL TEMPERATURE TEST
EXHAUST FAN MUST OPERATE CONTINUOUSLY WHILE EXHAUSTING AIR AT 300°F (149°C) UNTIL ALL FAN PARTS HAVE REACHED THERMAL EQUILIBRIUM, AND WITHOUT ANY DETERIORATING EFFECTS TO THE FAN WHICH WOULD CAUSE UNSAFE OPERATION.

ABNORMAL FLARE-UP TEST
EXHAUST FAN MUST OPERATE CONTINUOUSLY WHILE EXHAUSTING BURNING GREASE VAPORS AT 600°F (316°C) FOR A PERIOD OF 15 MINUTES WITHOUT THE FAN BECOMING DAMAGED TO ANY EXTENT THAT COULD CAUSE AN UNSAFE CONDITION.

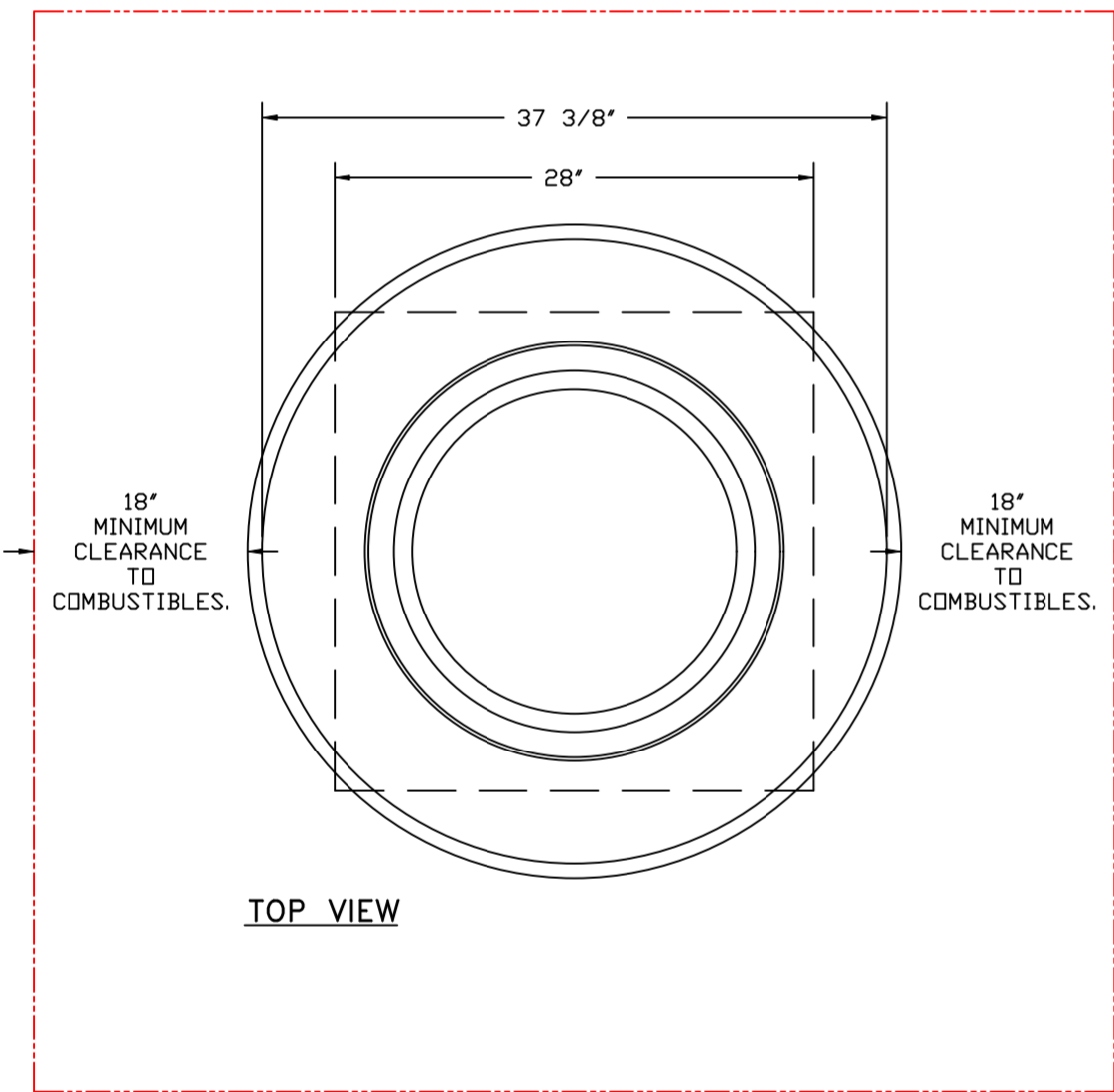
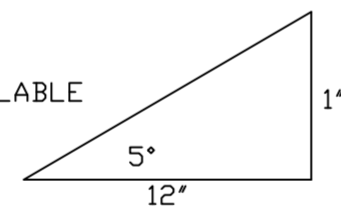
OPTIONS

- GREASE BOX.
- FAN BASE CERAMIC SEAL - DU/DR180HFA
- INSTALLED AT PLANT - FOR GREASE DUCTS.
- HINGE KIT - SHIPS LOOSE FOR CURB SUPPLIED BY OTHERS.
- UNIT MOUNTED VFD FOR USE WITH ECPM03.
- VFD MOUNTING BRACKET FOR DU/DR 180
- 200.
- EXHAUST FAN HEAT Baffle.
- 2 YEAR PARTS WARRANTY.



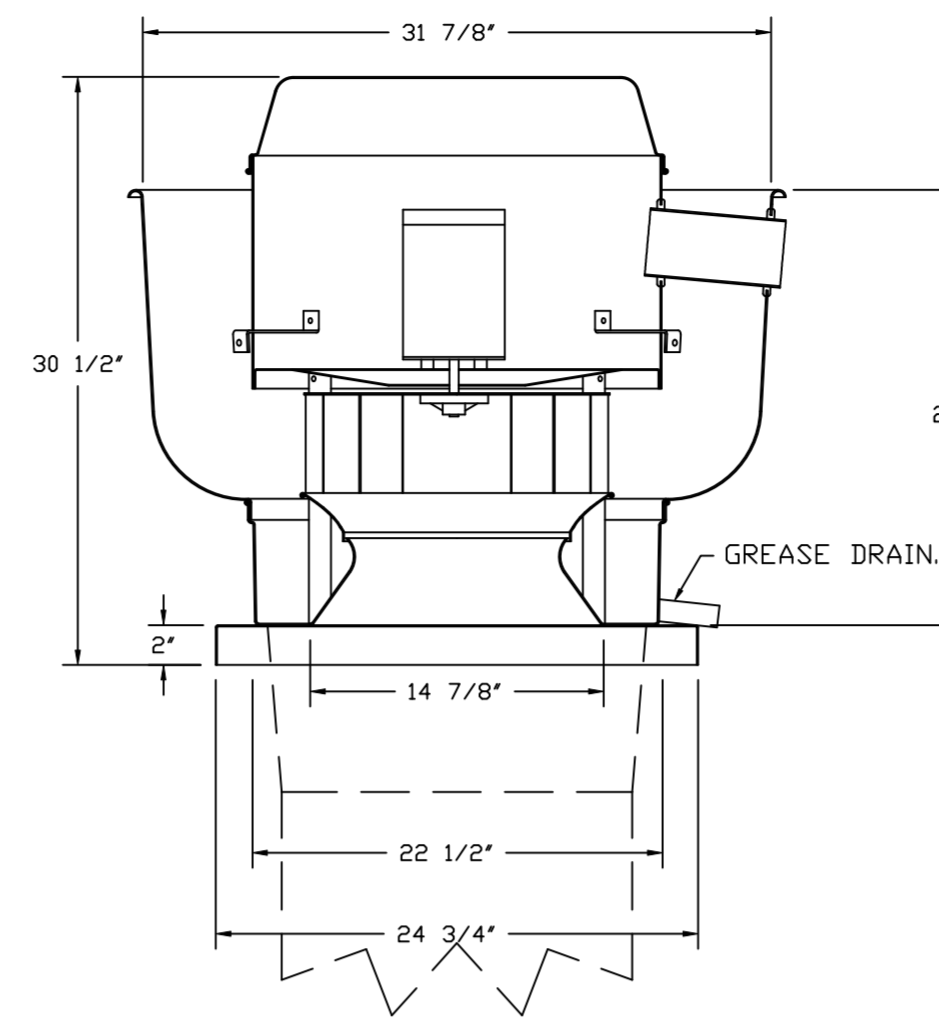
PITCHED CURBS ARE AVAILABLE FOR PITCHED ROOFS.

SPECIFY PITCH:
EXAMPLE: 7/12 PITCH = 30° SLOPE.



TOP VIEW

FAN #2 DU85HFA - EXHAUST FAN (KEF-2)



FEATURES:

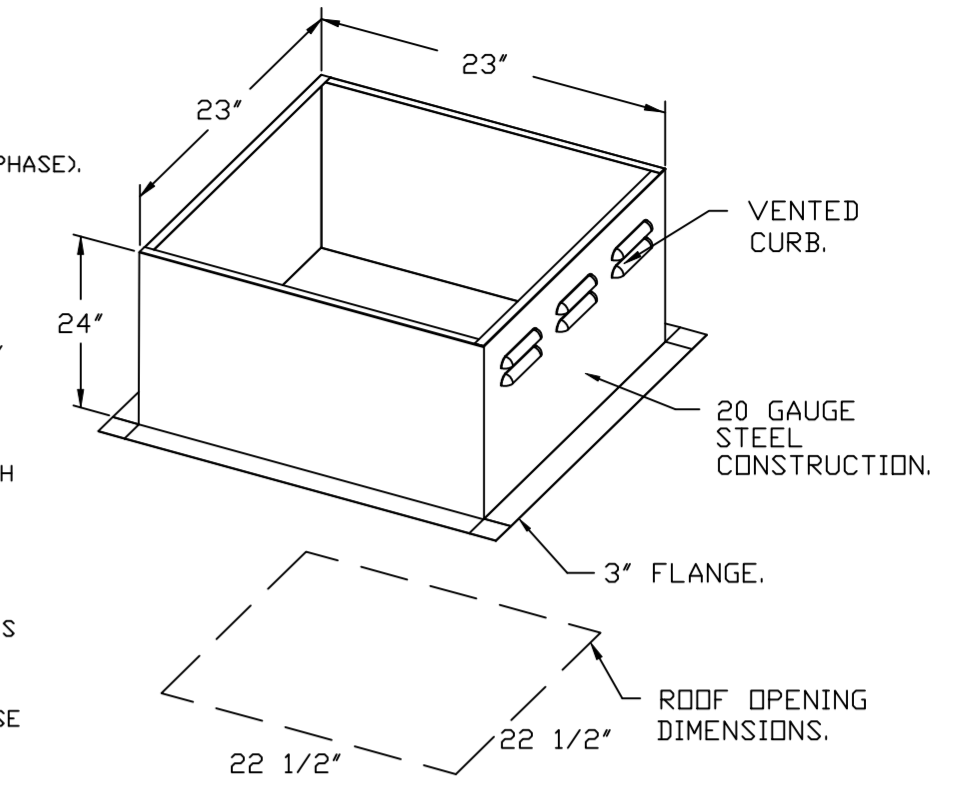
- DIRECT DRIVE CONSTRUCTION (NO BELTS/PULLEYS).
- ROOF MOUNTED FANS.
- RESTAURANT MODEL.
- UL705 AND UL762 AND ULC-S645
- VARIABLE SPEED CONTROL.
- INTERNAL WIRING.
- THERMAL OVERLOAD PROTECTION (SINGLE PHASE).
- HIGH HEAT OPERATION 300°F (149°C).
- GREASE CLASSIFICATION TESTING.
- NEMA 3R SAFETY DISCONNECT SWITCH.

NORMAL TEMPERATURE TEST
EXHAUST FAN MUST OPERATE CONTINUOUSLY WHILE EXHAUSTING AIR AT 300°F (149°C) UNTIL ALL FAN PARTS HAVE REACHED THERMAL EQUILIBRIUM, AND WITHOUT ANY DETERIORATING EFFECTS TO THE FAN WHICH WOULD CAUSE UNSAFE OPERATION.

ABNORMAL FLARE-UP TEST
EXHAUST FAN MUST OPERATE CONTINUOUSLY WHILE EXHAUSTING BURNING GREASE VAPORS AT 600°F (316°C) FOR A PERIOD OF 15 MINUTES WITHOUT THE FAN BECOMING DAMAGED TO ANY EXTENT THAT COULD CAUSE AN UNSAFE CONDITION.

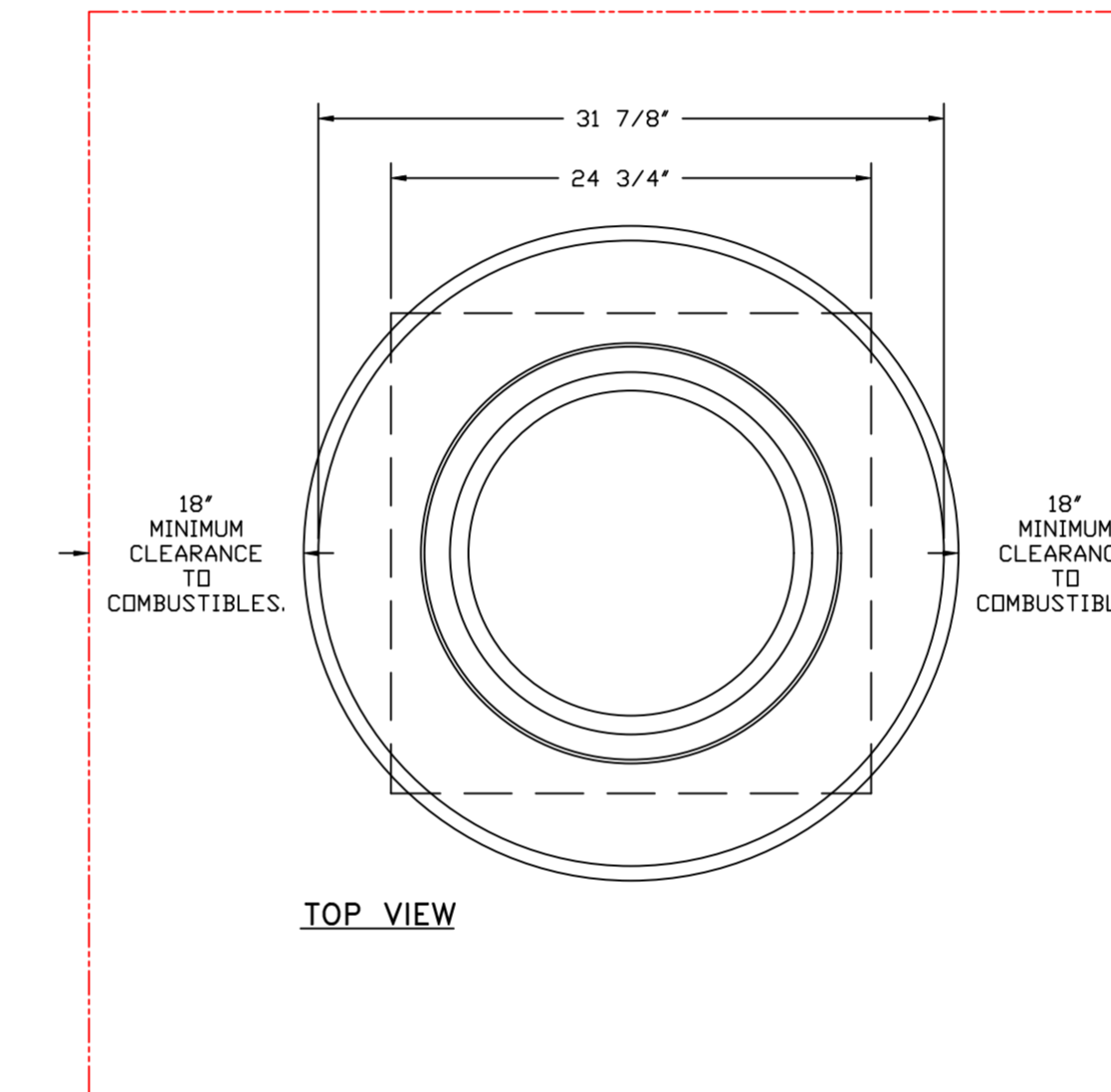
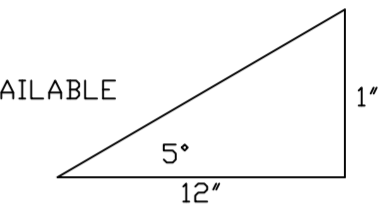
OPTIONS

- GREASE BOX.
- FAN BASE CERAMIC SEAL - DU/DR85HFA
- INSTALLED AT PLANT - FOR GREASE DUCTS.
- HINGE KIT - SHIPS LOOSE FOR CURB SUPPLIED BY OTHERS.
- ECM WIRING PACKAGE - PWM SIGNAL FROM ECPM03 PREWIRE (TELCO MOTOR), CCW ROTATION.
- 2 YEAR PARTS WARRANTY.



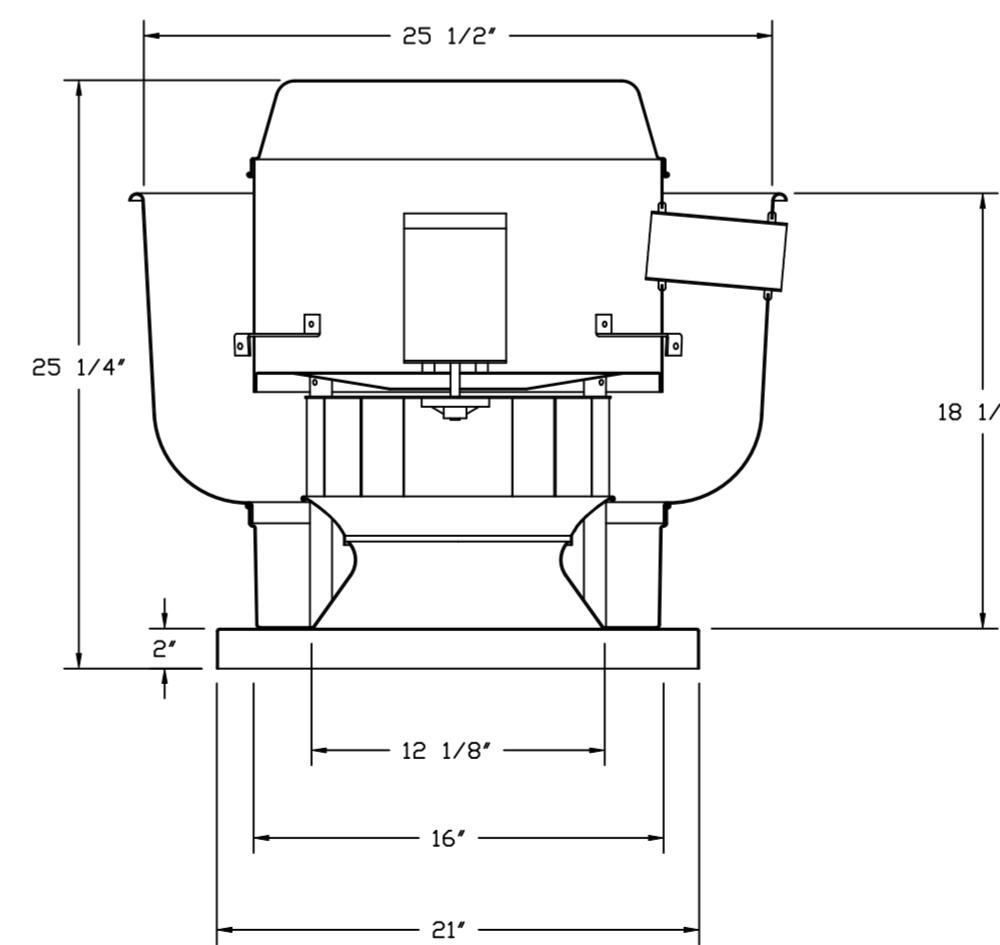
PITCHED CURBS ARE AVAILABLE FOR PITCHED ROOFS.

SPECIFY PITCH:
EXAMPLE: 7/12 PITCH = 30° SLOPE.



TOP VIEW

FAN #4 DU33HFA - EXHAUST FAN (E-36)

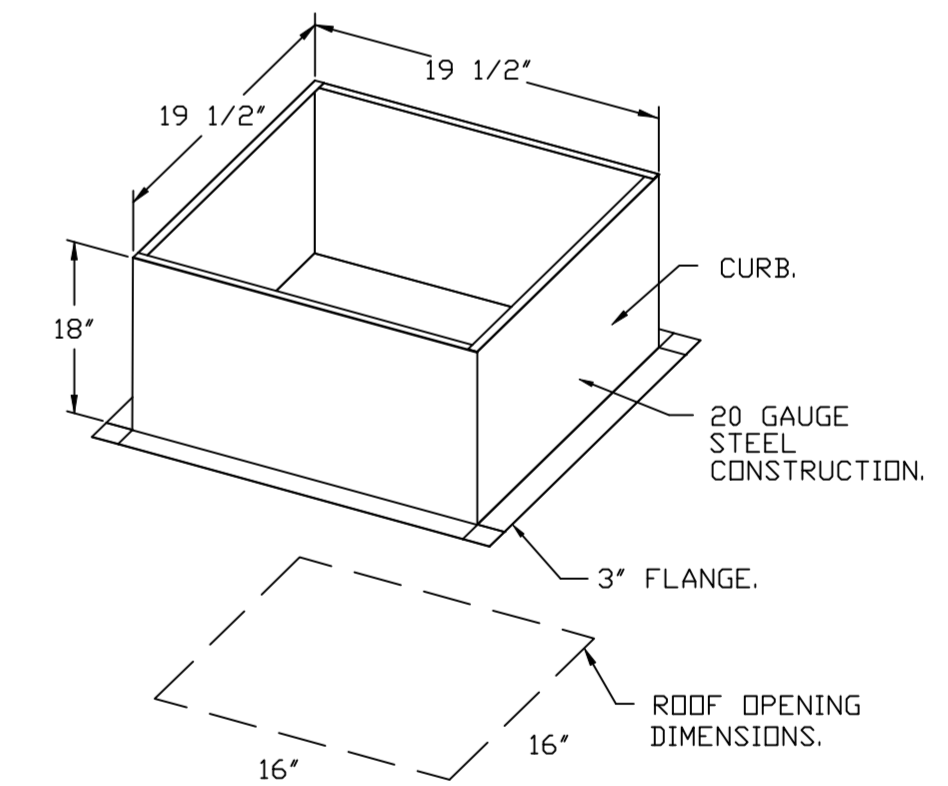


FEATURES:

- DIRECT DRIVE CONSTRUCTION (NO BELTS/PULLEYS).
- ROOF MOUNTED FANS.
- UL705.
- VARIABLE SPEED CONTROL.
- INTERNAL WIRING.
- THERMAL OVERLOAD PROTECTION (SINGLE PHASE).
- NEMA 3R SAFETY DISCONNECT SWITCH.

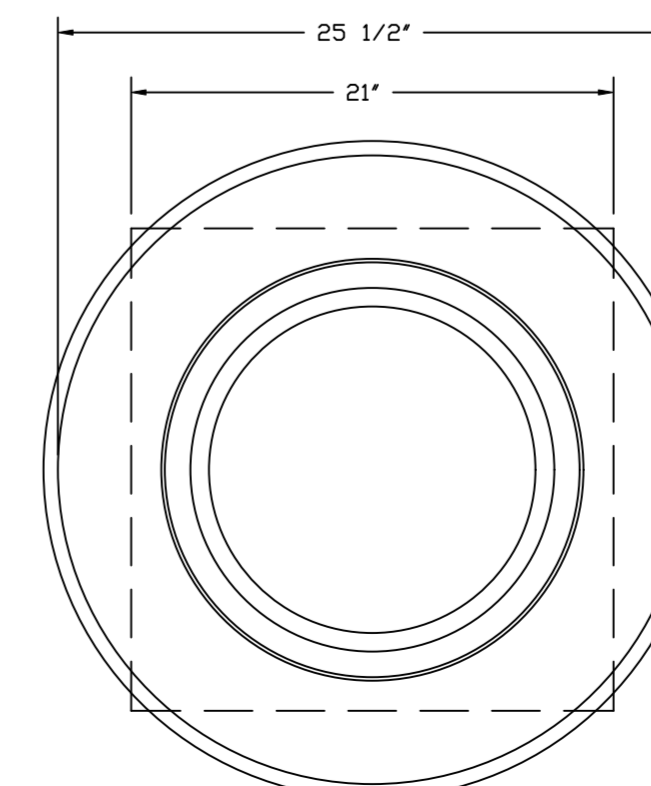
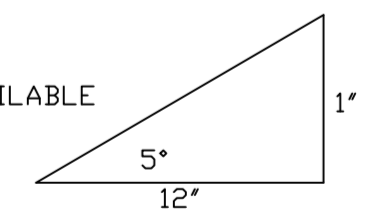
OPTIONS

- SCR-11 BIRD SCREEN.
- I 15-BDD DAMPER.
- ECM WIRING PACKAGE - MANUAL OR 0-10VDC REFERENCE SPEED CONTROL
- RTC- (TELCO MOTOR), CCW ROTATION.
- 2 YEAR PARTS WARRANTY.



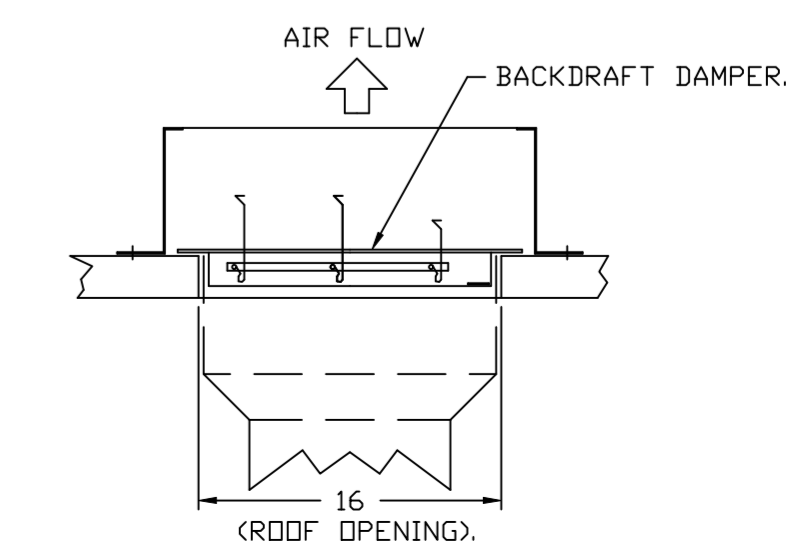
PITCHED CURBS ARE AVAILABLE FOR PITCHED ROOFS.

SPECIFY PITCH:
EXAMPLE: 7/12 PITCH = 30° SLOPE.



TOP VIEW

BACKDRAFT DAMPER INSTALLATION



REVISIONS

DESCRIPTION	DATE

CAPTIVEAIRE

Tulsa Office
12101 East 51st Street, Suite 101A, Tulsa, OK, 74146 PHONE: (918) 258-0291 FAX: 9192275947 EMAIL: reg80@captiveaire.com

JCI Primary School Addition
193 School Street,
Hartman, AR, 72840

DATE: 6/6/2024
DWG.#: 6831563
DRAWN BY: TMA
SCALE: 3/4" = 1'-0"
MASTER DRAWING

SHEET NO.
6

DOAS/RTU FAN SCHEDULE -- JOB#6831563

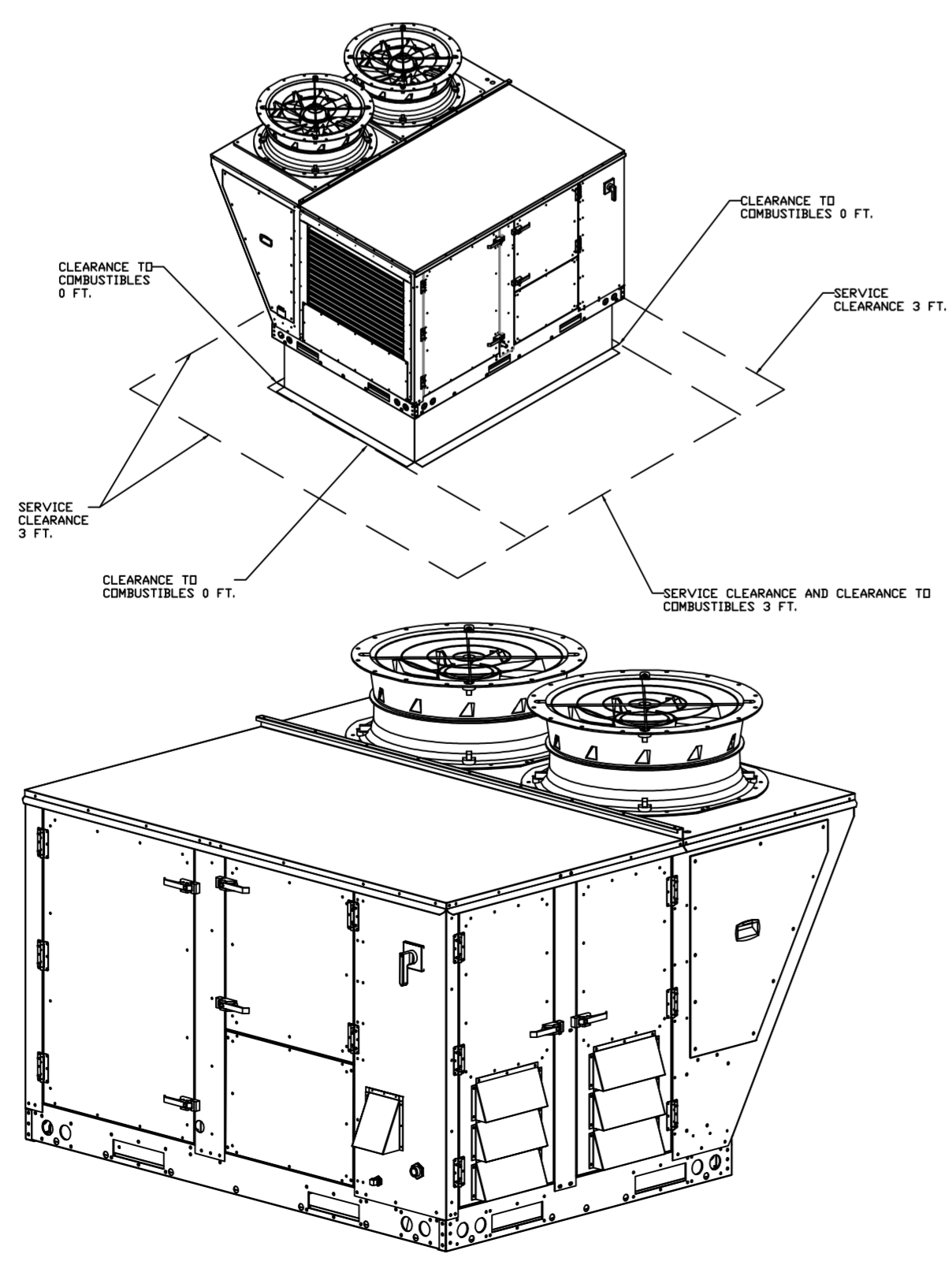
FAN INFORMATION										ELECTRICAL INFORMATION										COOLING INFORMATION										REHEAT INFORMATION										GAS HEAT INFORMATION										NOTES
FAN UNIT NO	TAG	QTY	DOAS/RTU MODEL #	MANUFACTURER	BLOWER	RETURN AIR CFM	MAX OUTSIDE AIR CFM	TOTAL CFM	WEIGHT (LBS)	ESP	HP	PHASE	VOLT	MCA	MDCP	OUTSIDE AIR DB	MIXED AIR DB	LEAVING AIR DB	DISCHARGE DB	CAPACITY	IEER	ISHRE	DISCHARGE DB	W/B	DESIRED	MAX	MOISTURE REMOVAL RATE	GAS TYPE	INPUT BTU/H	OUTPUT BTU/H	TEMP RISE	REQUIRED INPUT GAS PRESSURE																		
3	MUA-1	1	CAS-HVAC2-1300-18-8T-MPU	CAPTIVEAIR	18P-2	0	3680	3680	1941	0.500	5.00	3	208	48.2A	60A	84.7°F	78.4°F	84.7°F	78.4°F	73.7°F	71.6°F	70.8°F	102.0 MBH	42.7 MBH	20.2	9.8	-1.0°F	-1.0°F	16.9 MBH	0 MBH	53.5 LBS/HR	NATURAL	290693	235461	55°F	7 IN. W.C. - 14 IN. W.C.	1,2,3,4,5,6,7,8,9,10,11,12,13,14													

FAN UNIT NO	TAG	QTY	DESCRIPTION
1	KEF-1	1	GREASE BOX
		1	FAN BASE CERAMIC SEAL - DU/DR180HFA - INSTALLED AT PLANT - FOR GREASE DUCTS
		1	HINGE KIT - SHIPS LOOSE FOR CURB SUPPLIED BY OTHERS
		1	UNIT MOUNTED VFD FOR USE WITH ECPM03
		1	VFD MOUNTING BRACKET FOR DU/DR 180 - 200
		1	EXHAUST FAN HEAT BAFFLE
		1	2 YEAR PARTS WARRANTY
		1	GREASE BOX
		1	FAN BASE CERAMIC SEAL - DU/DR180HFA - INSTALLED AT PLANT - FOR GREASE DUCTS
		1	HINGE KIT - SHIPS LOOSE FOR CURB SUPPLIED BY OTHERS
2	KEF-2	1	ECM WIRING PACKAGE - PWM SIGNAL FROM ECPM03 PREWIRE (TELCD MOTOR), CCW ROTATION
		1	2 YEAR PARTS WARRANTY
		1	INLET PRESSURE GAUGE, 0-35"
		1	MANIFOLD PRESSURE GAUGE, 0 TO 10" WC, 1 FURNACE
		1	TOTAL CFM MONITORING
		1	INTAKE FIRESTAT SET TO 135°F
		1	FREESTAT
		1	DISCHARGE FIRESTAT SET TO 240°F
		1	SHIP LOOSE GAS STRAINER 3/4"
		1	SINGLE POINT ELECTRICAL CONNECTION FOR RTU, 750VA TRANSFORMER USED. IF A NON-DCV PREWIRE CONTROL IS THIS UNIT, THE #08, #47, #48, OR #24 PREWIRE OPTION MUST BE SELECTED. DOES NOT PROVIDE SUPPLY STARTER IN PREWIRE
3	MUA-1	1	CASLINK BUILDING MONITORING SYSTEM - INTERNET OR CELLULAR CONNECTION REQUIRED
		1	RTU2 DOWN DISCHARGE
		1	8" MERV 13 FILTERS FOR RTU2 (QTY. 4)
		1	2" MERV 8 FILTERS FOR RTU2 (QTY. 4)
		1	OCCUPIED SCHEDULING
		1	RTU2 CURB DUCT HANGER
		1	RTU2 HAIL GUARD
		1	8 TON MODULATING COOLING OPTION, 208/230V, R410A REFRIGERANT, VARIABLE SPEED COMPRESSOR, ECM CONDENSING FANS
		1	MOISTURE ELIMINATOR FOR SIZE 2, 8 TON RTU, NO REHEAT
		1	RTU2 NO RETURN - 100% OA - MPU
4	E-36	1	RTU FIXED 100% OA INTAKE CONTROL
		1	UNIT MOUNTED VFD CONFIGURED FOR DCV
		1	5 YEAR ENTIRE UNIT PARTS WARRANTY, 10 YEAR ENTIRE UNIT PARTS WARRANTY WITH REMOTE MONITORING AND CAPTIVEAIR SERVICE CENTER, 25 YEAR STAINLESS STEEL FURNACE PARTS WARRANTY (SEE ADDITIONAL DETAILS)
		1	SCR-11 BIRD SCREEN
		1	1 IS-BDD DAMPER
		1	ECM WIRING PACKAGE - MANUAL OR 0-10VDC REFERENCE SPEED CONTROL -RTC- (TELCD MOTOR), CCW ROTATION
		1	2 YEAR PARTS WARRANTY

FAN UNIT NO	TAG	EXHAUST	SUPPLY
1	KEF-1	YES	
2	KEF-2	YES	
4	E-36	YES	

NO	DN FAN	TAG	WEIGHT	ITEM	SIZE
1	# 1	KEF-1	48 LBS	CURB	26.500"W X 26.500"L X 24.000"H 1,000:12,000 PITCH ALONG LENGTH, RIGHT VENTED.
2	# 2	KEF-2	37 LBS	CURB	23.000"W X 23.000"L X 24.000"H 1,000:12,000 PITCH ALONG LENGTH, RIGHT VENTED.
3	# 3	MUA-1	111 LBS	CURB	49.500"W X 75.000"L X 20.000"H 1,000:12,000 PITCH ALONG WIDTH, RIGHT INSULATED.
4	# 4	E-36	20 LBS	CURB	19.500"W X 19.500"L X 18.000"H 1,000:12,000 PITCH ALONG LENGTH, RIGHT.

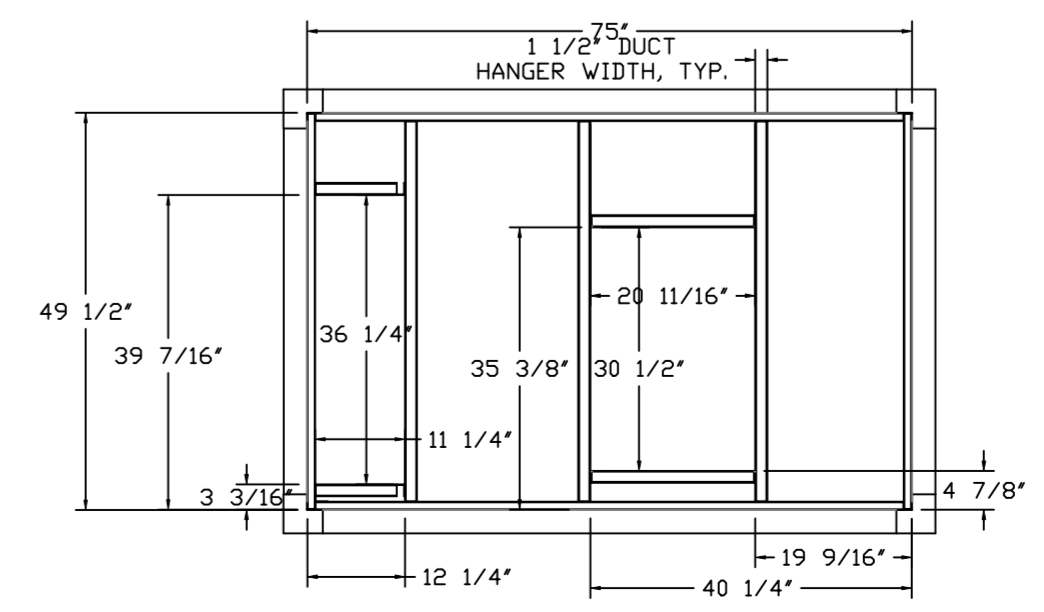
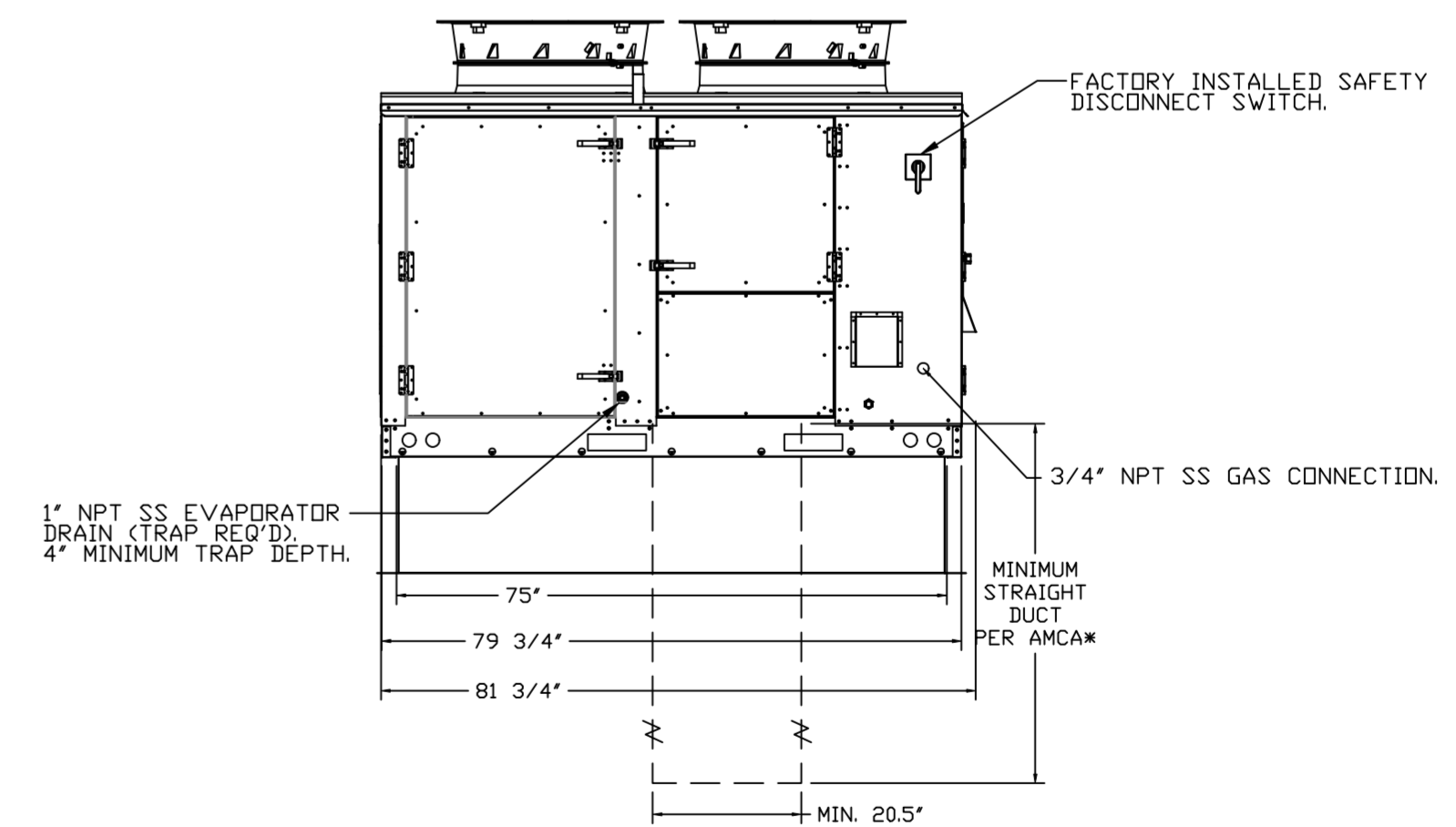
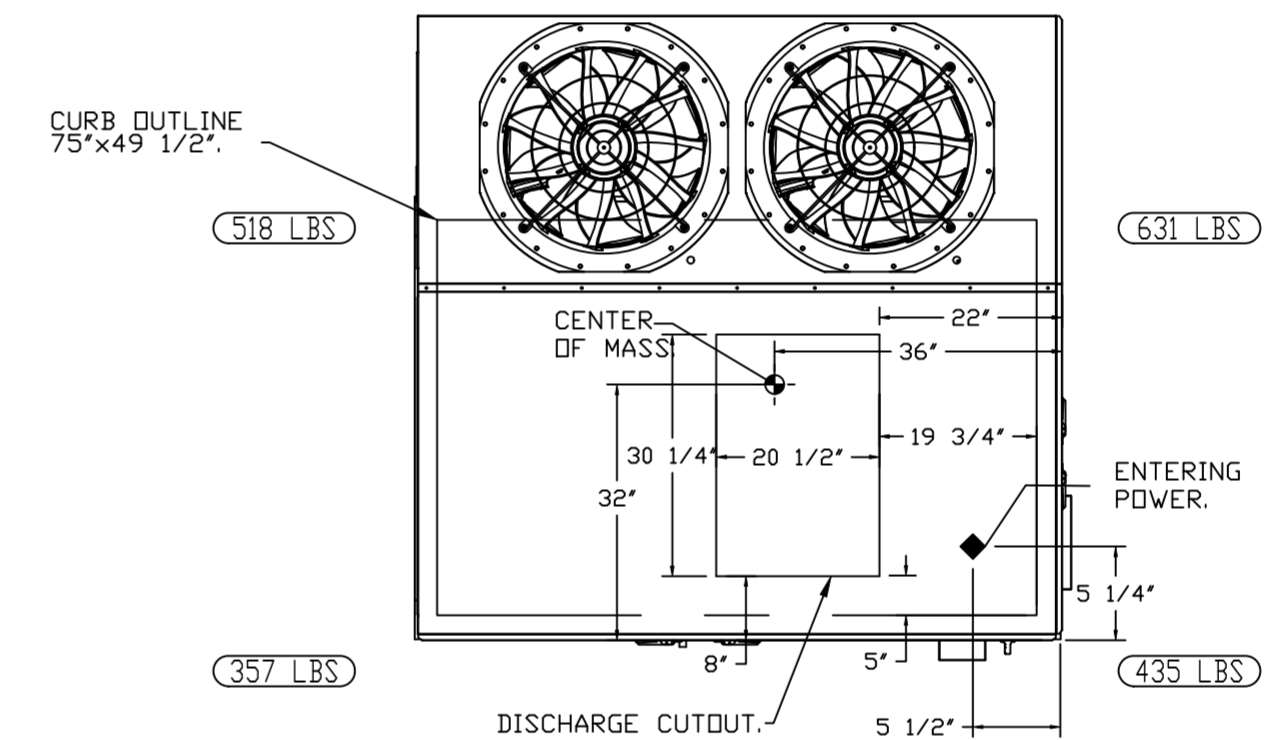
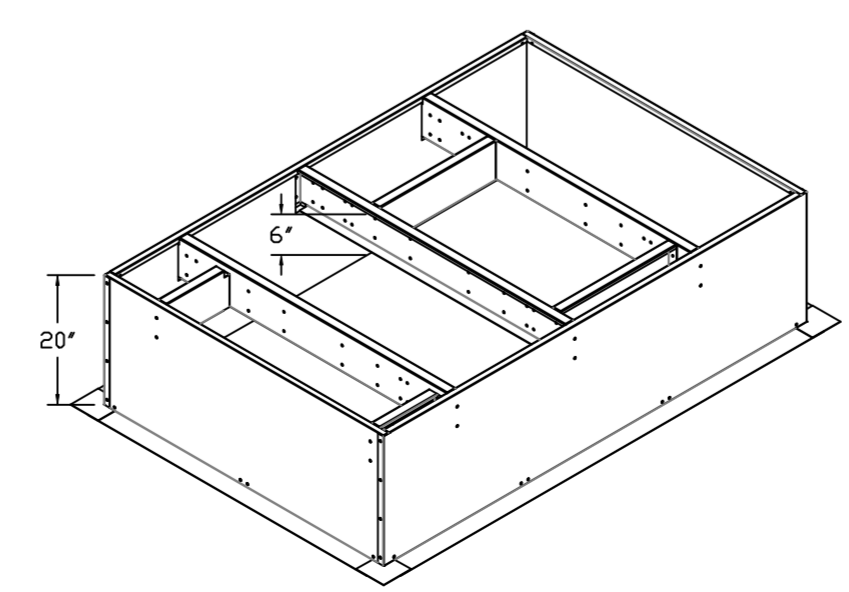
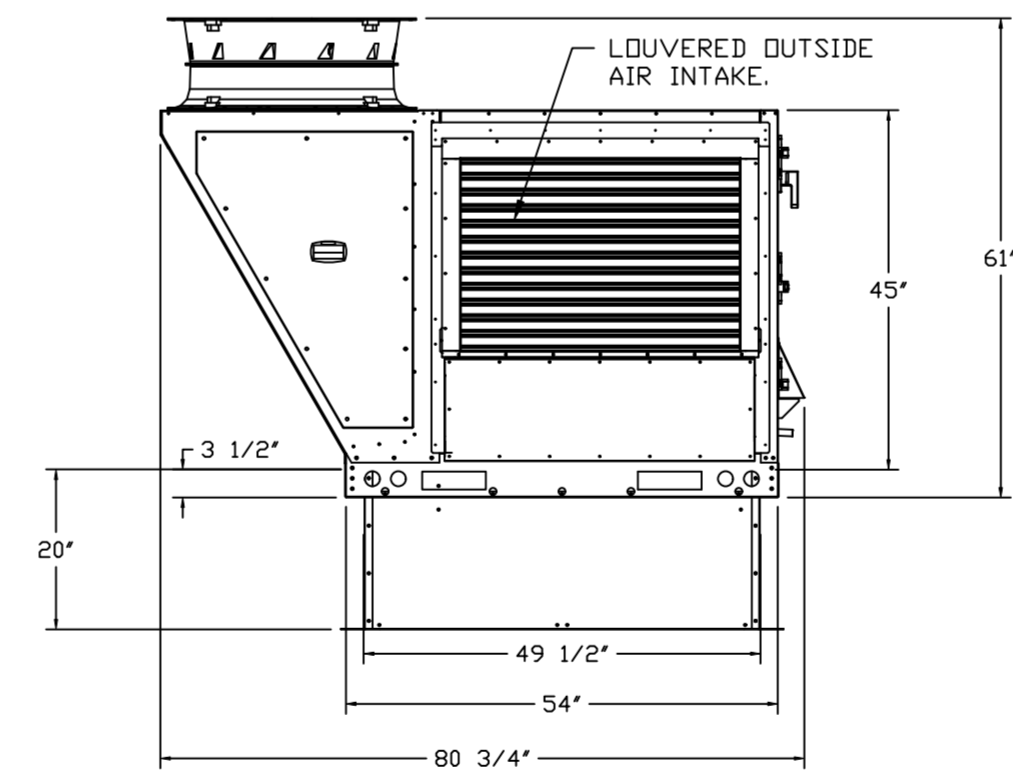
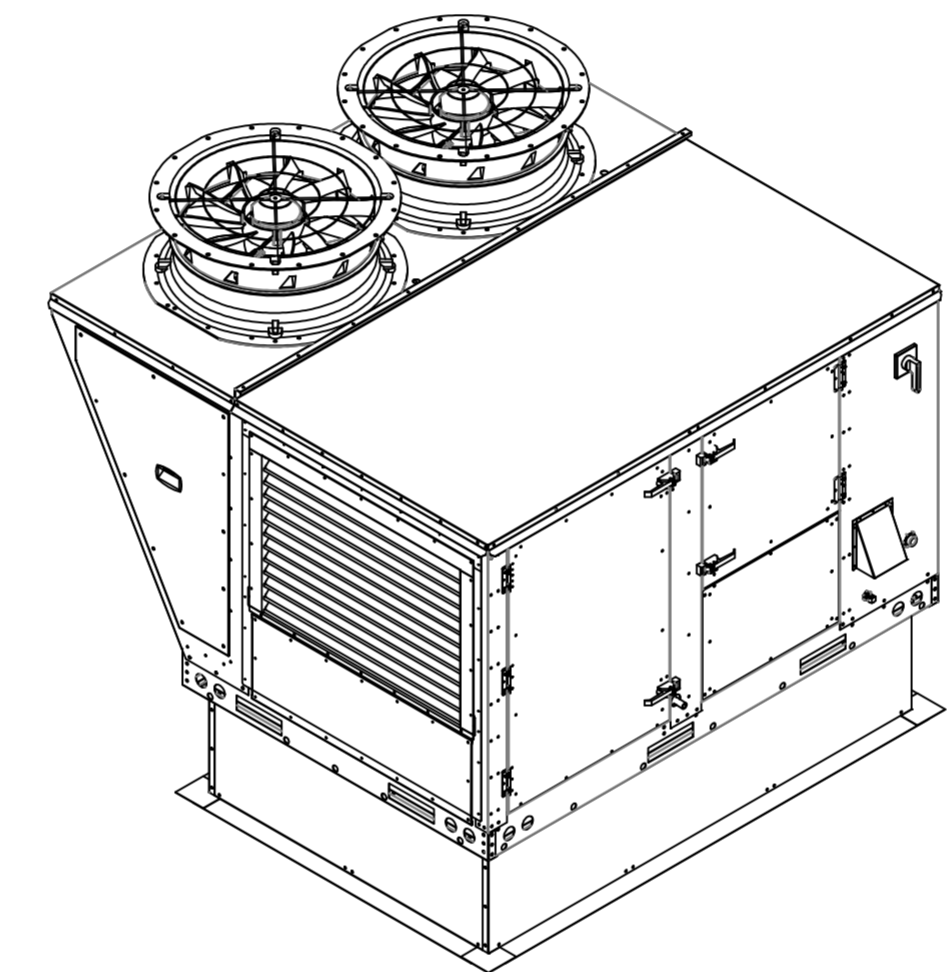
UNIT NUMBER	HMI #	HMI LOCATION	TEMP AVERAGING	MODBUS ADDRESS
FAN #3	HMI #1 - UNIT	HMI #1 MOUNTED IN UNIT	NOT AVERAGED	55



FAN #3 CAS-HVAC2-1.300-18-8T-MPU - HEATER (MUA-1)

- NOTES:
- DO NOT OBSTRUCT OUTSIDE AIR INLET, OUTSIDE AIR COIL OR OUTSIDE AIR FAN.
 - () DENOTES CORNER WEIGHT.
 - ROOF OPENING MUST BE 2" SMALLER THAN CURB DIMENSIONS IN BOTH DIRECTIONS.
 - CONNECTION FROM BREAKER TO UNITS SAFETY DISCONNECT SWITCH TO BE COPPER WIRE ONLY.

*NOTE: SUPPLY DUCT MUST BE INSTALLED TO MEET SMACNA STANDARDS. A MINIMUM STRAIGHT DUCT LENGTH MUST BE MAINTAINED DOWNSTREAM OF UNIT DISCHARGE AS OUTLINED IN AMCA PUBLICATION 201. WHEN USING RECTANGULAR DUCTWORK, ELBOWS MUST BE RADIUS THROAT, RADIUS BACK WITH TURNING VANES. FLEXIBLE DUCTWORK AND SQUARE THROAT/SQUARE BACK ELBOWS SHOULD NOT BE USED. ANY TRANSITION AND/OR TURNS IN THE DUCTWORK WILL CAUSE SYSTEM EFFECT. SYSTEM EFFECT WILL DRAMATICALLY INCREASE STATIC PRESSURE AND REDUCE AIRFLOW. DO NOT RELY ON UNIT TO SUPPORT DUCT IN ANY WAY. FAILURE TO PROPERLY SIZE DUCTWORK MAY CAUSE SYSTEM EFFECTS AND REDUCE PERFORMANCE OF THE EQUIPMENT. SUGGESTED STRAIGHT DUCT SIZE IS 20.5" x 30.25".



REVISIONS

DESCRIPTION	DATE

CAPTIVEAIR

www.captiveair.com

Tulsa Office

12101 East 51st Street, Suite 101A, Tulsa, OK, 74146 PHONE: (918) 258-0291 FAX: 9192275947 EMAIL: reg80@captiveair.com

JCI Primary School Addition
193 School Street,
Hartman, AR, 72840

DATE: 6/6/2024

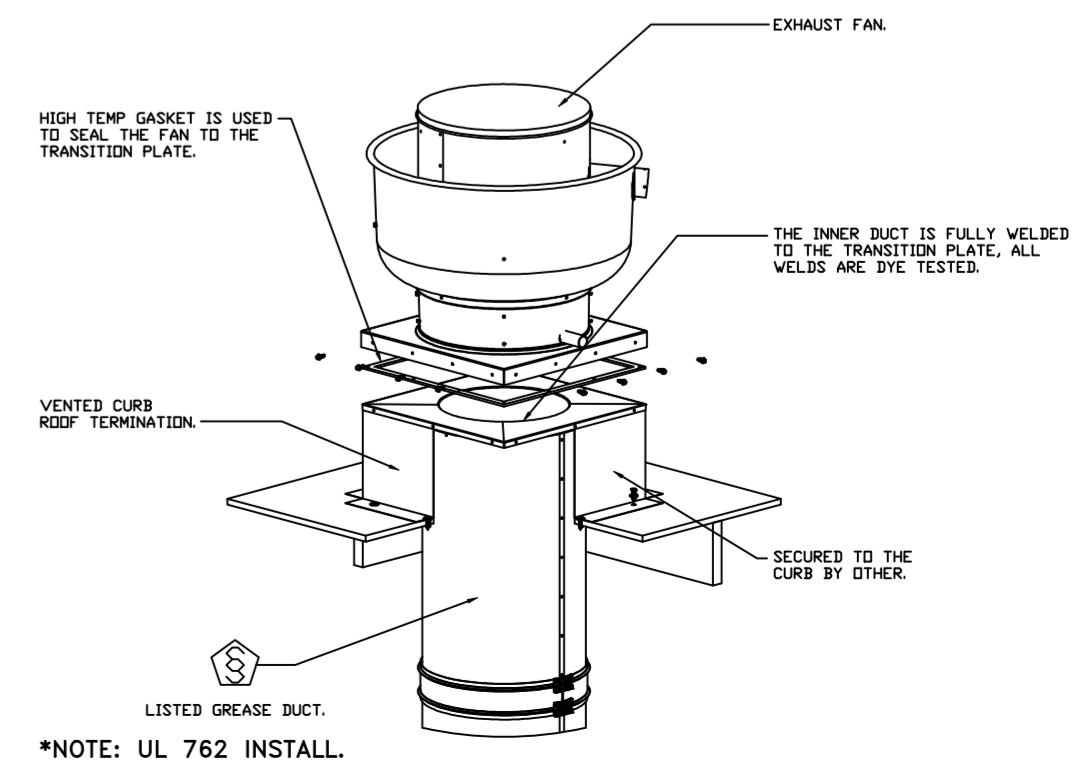
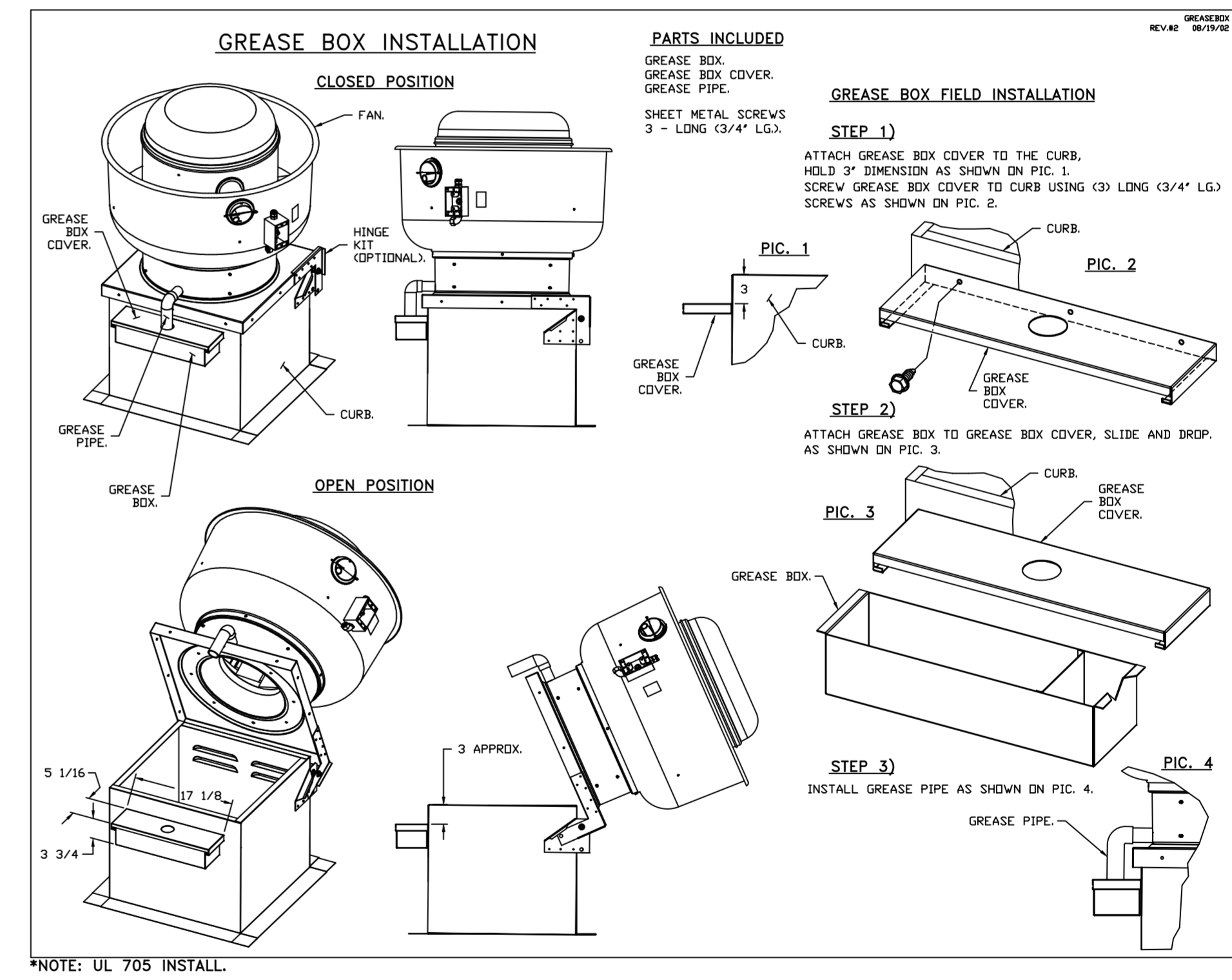
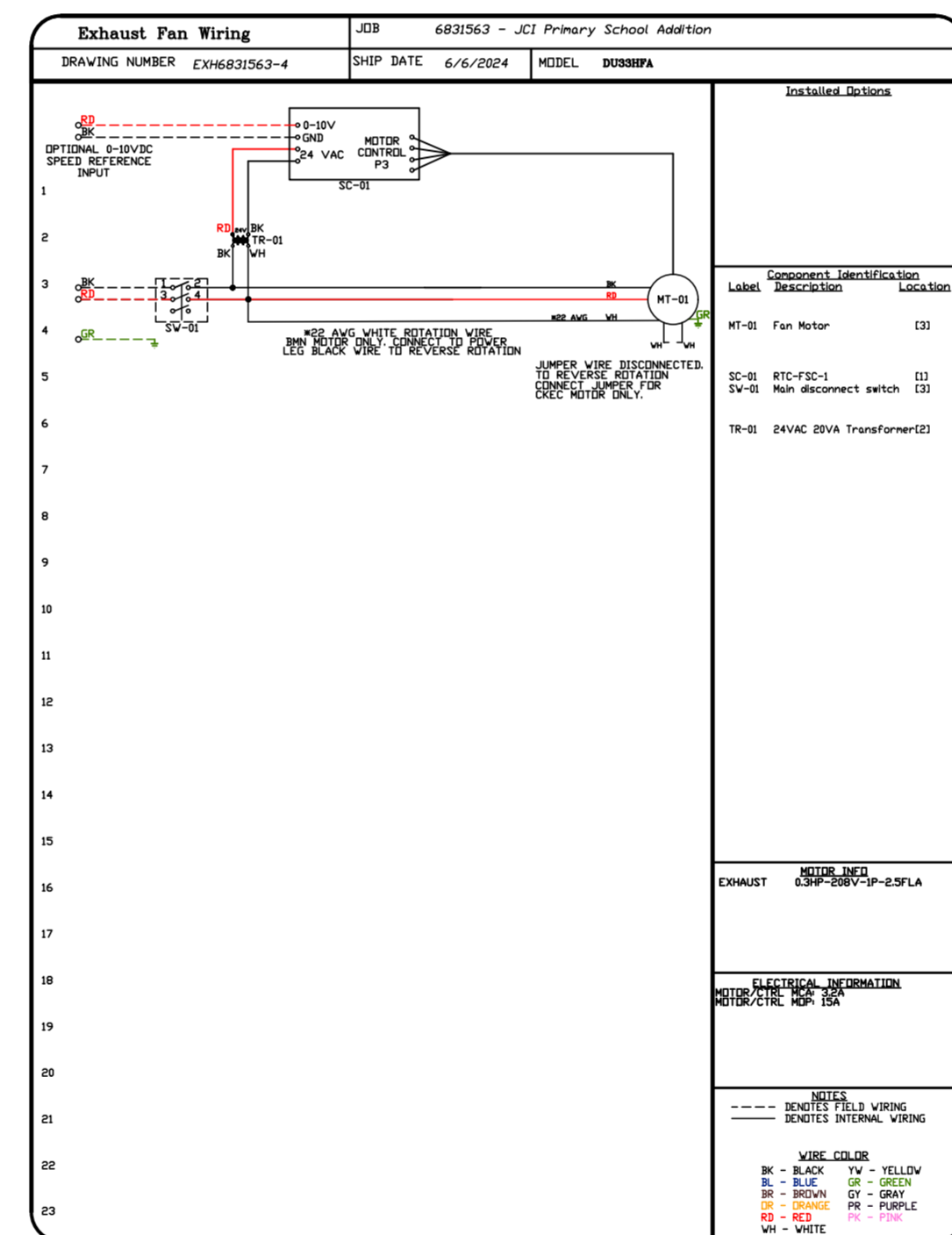
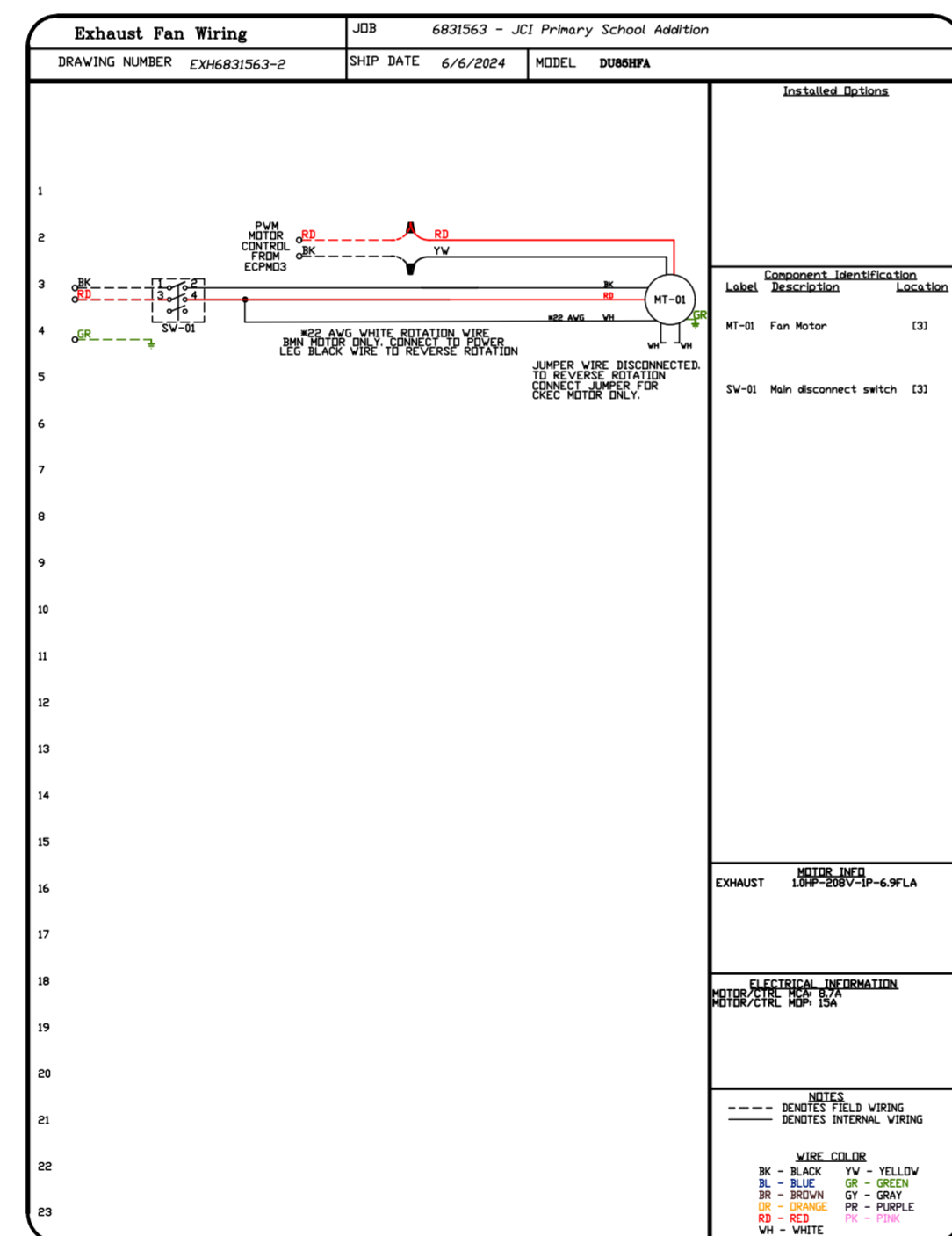
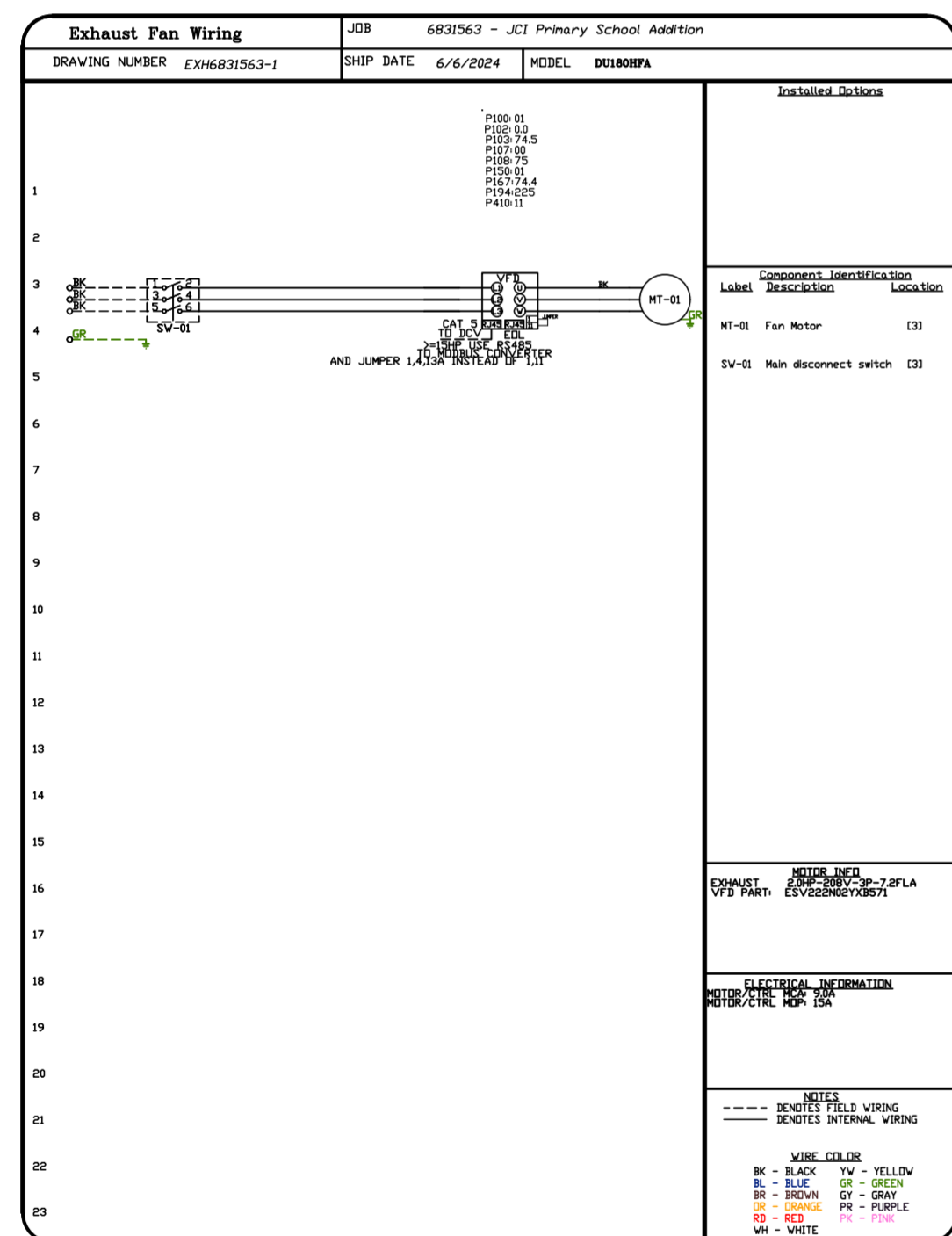
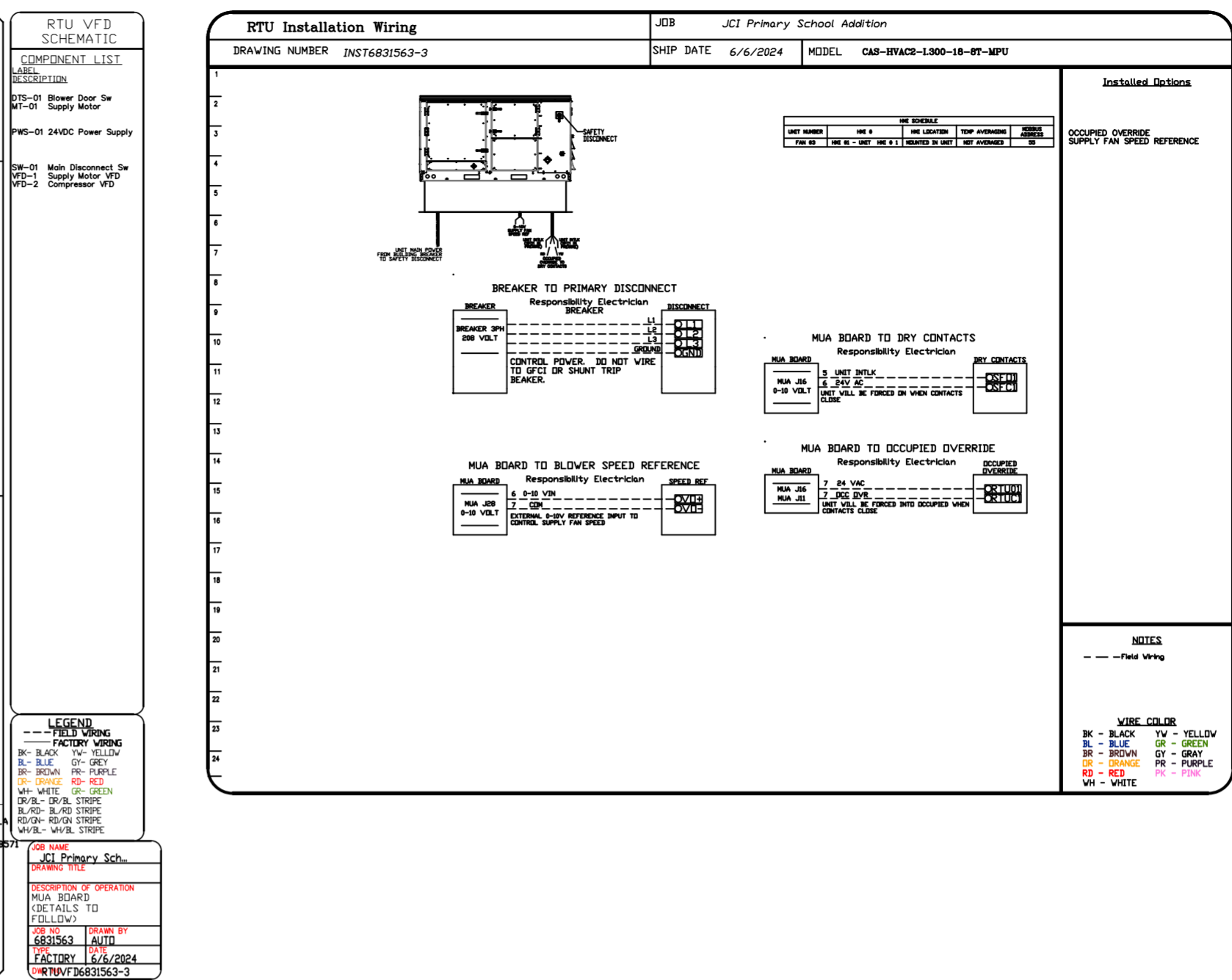
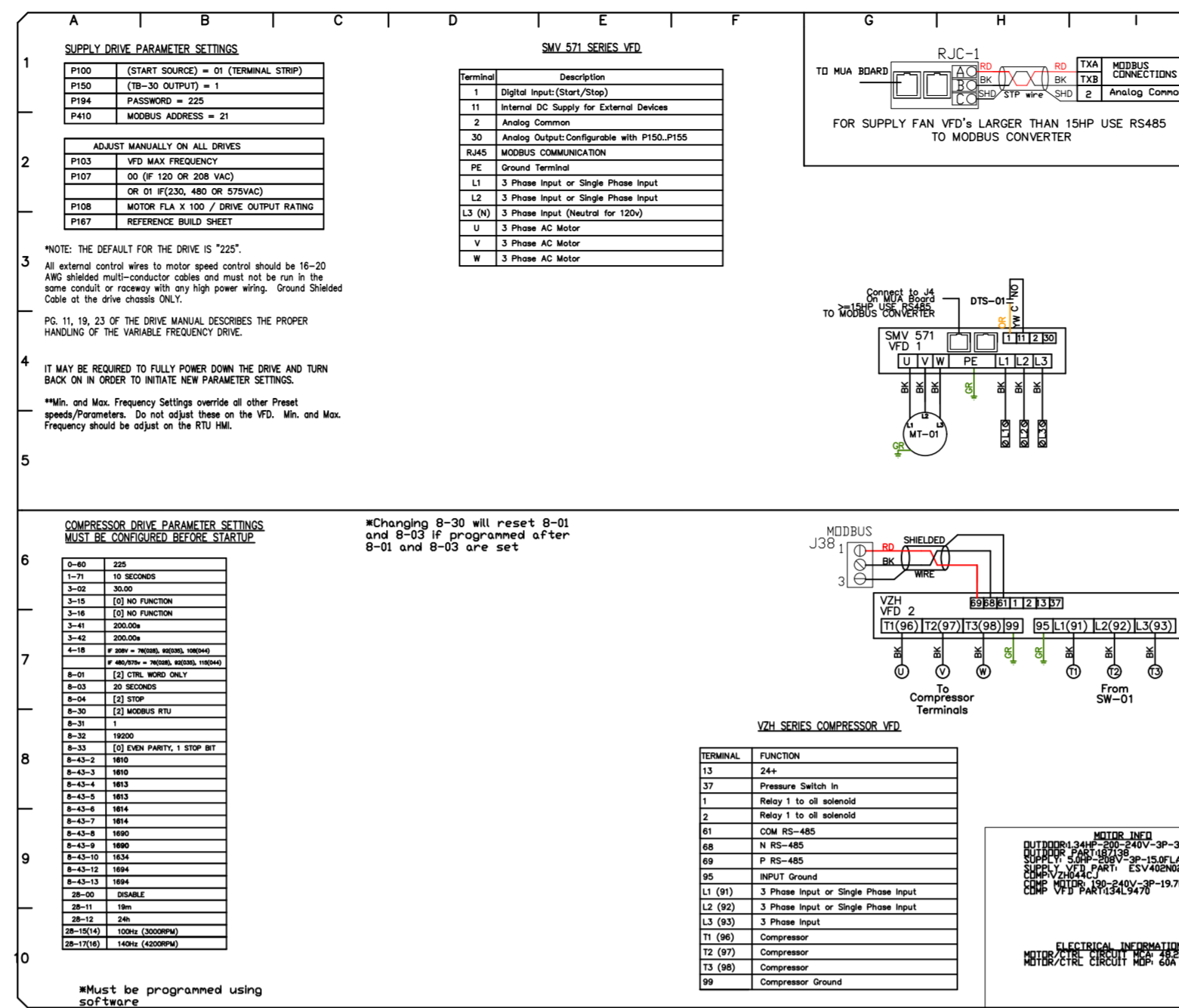
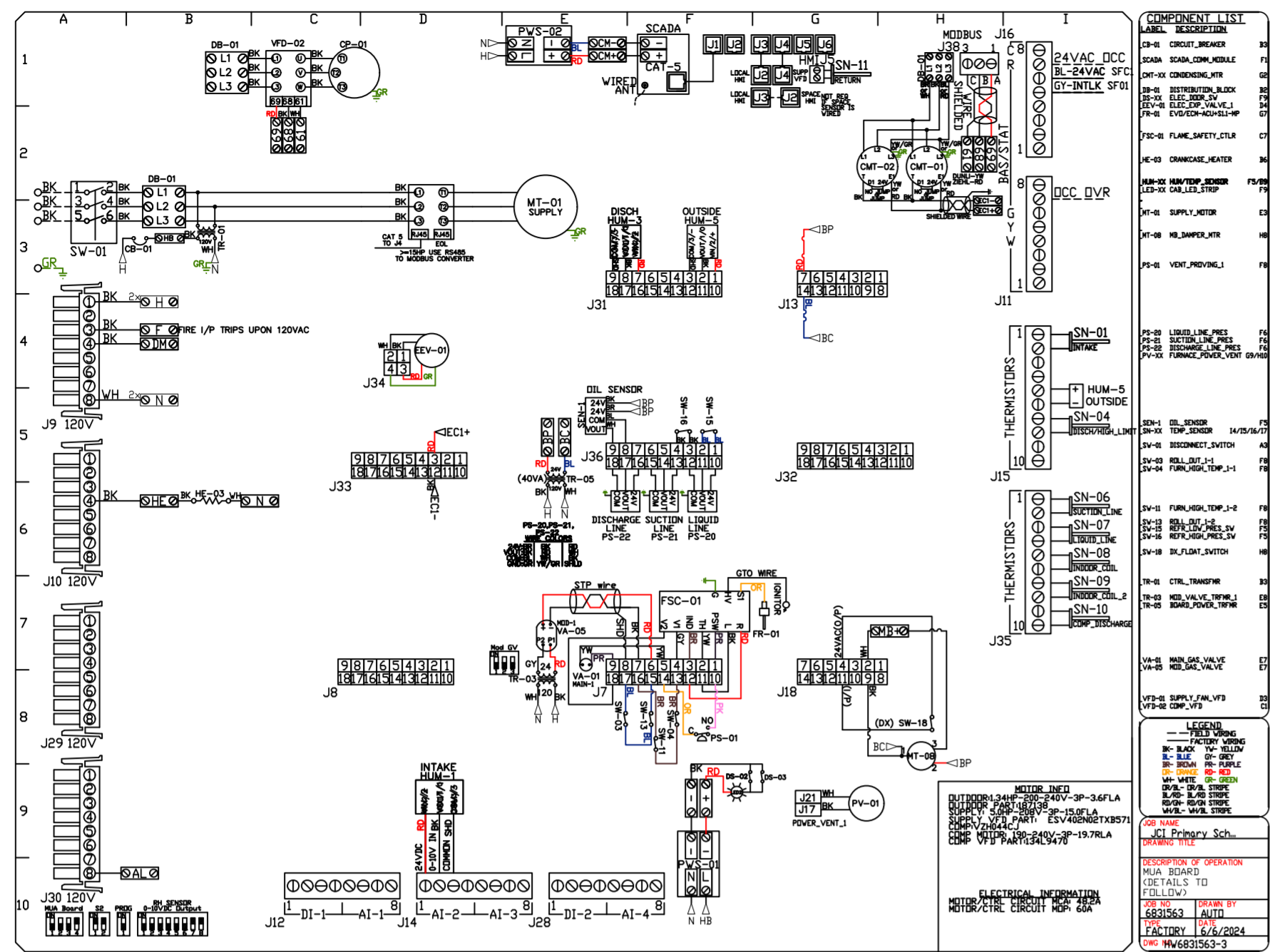
DWG.#:
6831563

DRAWN BY: TMA

SCALE:
1/2" = 1'-0"

MASTER DRAWING

SHEET NO.
7



REVISIONS

DESCRIPTION	DATE

JCI Primary School Addition
193 School Street,
Hartman, AR, 72840

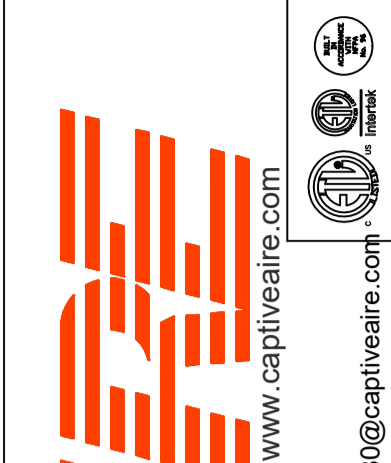
DATE: 6/6/2024
DWG.#: 6831563
DRAWN BY: TMA
SCALE: 1/2" = 1'-0"
MASTER DRAWING

SHEET NO.
8

CAPTIVE
www.captiveair.com
Tulsa Office
101A, Tulsa, OK, 74146 PHONE: (918) 258 - 0291 FAX: 9192275947 EMAIL: reg80@captiveair.com

REVISIONS

DESCRIPTION	DATE:



JCI Primary School Addition
 193 School Street,
 Hartman, AR, 72840

DATE: 6/6/2024

DWG.#:
6831563

DRAWN BY: TMA

SCALE:
3/4" = 1'-0"

MASTER DRAWING

SHEET NO.
9

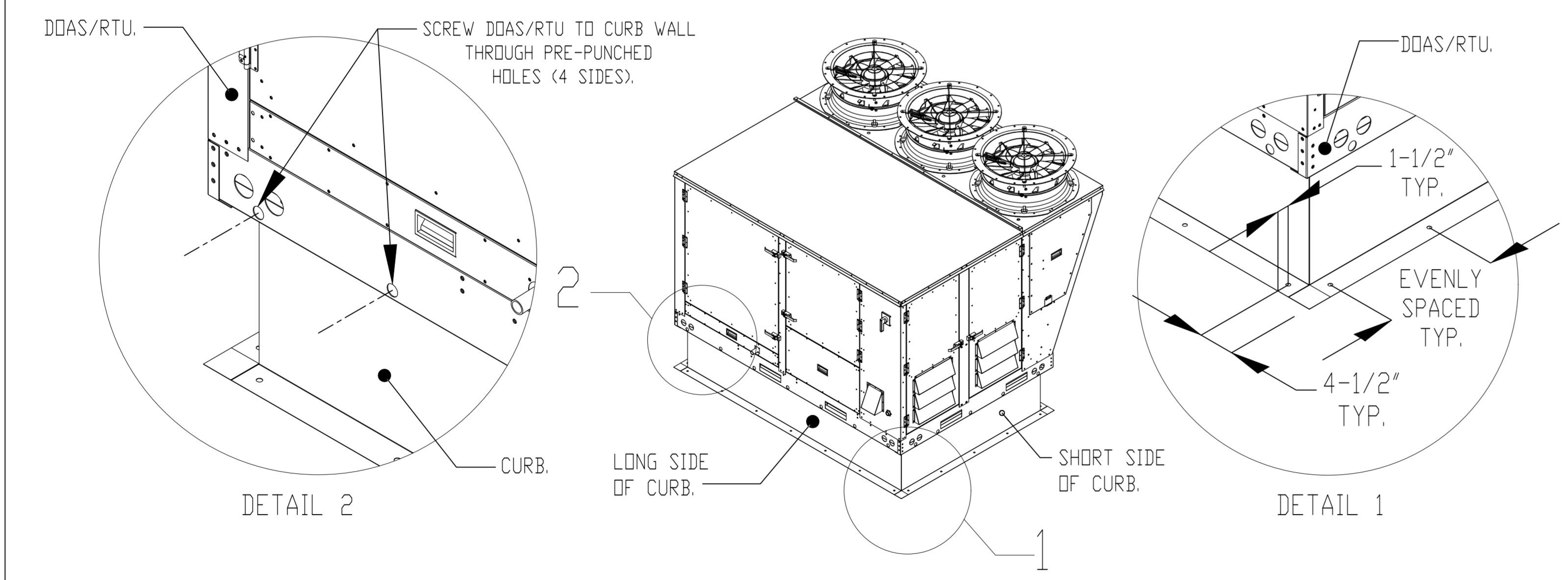
AIR DIFFUSION SUPPLY DUCT SPECIFICATIONS:
 PROVIDE AIR DIFFUSION SUPPLY DUCT EQUAL TO CAPTIVEAIR SYSTEMS MODEL DW-S0(HC), DW-S90(HC), & DW-S180(HC).
 THREE DISTINCT HOLE PATTERN OPTIONS TO COVER A VARIETY OF CEILING HEIGHTS.
 NO ADDITIONAL DIFFUSERS REQUIRED, AS THE DUCT ITSELF PROVIDES AIR DIFFUSION.
 MADE OF HIGH QUALITY STAINLESS STEEL DESIGNED TO LAST 20+ YEARS.
 HIGH INDUCTION SUPPLY DUCT IS CONSTRUCTED USING 24 GAUGE, 430 SS - 5" THRU 24".
 HIGH INDUCTION SUPPLY DUCT IS CONSTRUCTED USING 20 GAUGE, 430 SS - 26" THRU 36".
 QUICK ONSITE ASSEMBLY USING EPDM GASKETS & UNIVERSAL V-BANDS.
 DOUBLE WALL SUPPLY DUCT AVAILABLE FOR INTERIOR AND EXTERIOR SPACES, EITHER CONDITIONED OR UNCONDITIONED.
 DOUBLE WALL SUPPLY DUCT AVAILABLE IN DW-1S, DW-2S, & DW-3S TO MEET SPECIFIC REGIONAL "R" VALUE REQUIREMENTS.

Insulation R-Value Recommendations		
Supply Duct Type	Minimum R-value	Space Type
Single Wall - S & -HC	N/A	Conditioned Space Only
Double Wall - 1S	R-4	Unconditioned Interior Space Only
Double Wall - 2S	R-8	Unconditioned Space Climate Zones 1-4
Double Wall - 3S	R-12	Unconditioned Space Climate Zones 5-8

DOUBLE WALL SUPPLY DUCT IS INSULATED WITH A 24 GAUGE 430 STAINLESS OUTER SHELL.
 AIR DIFFUSION SUPPLY DUCT COMPLIES WITH SMACNA (SHEET METAL AND AIR CONDITIONING CONTRACTORS) BEST PRACTICES.
 POSITIONING OF SPRINKLERS TO AVOID OBSTRUCTION TO DISCHARGE, SEE NFPA 13, TABLE 8.12.5.1.1.

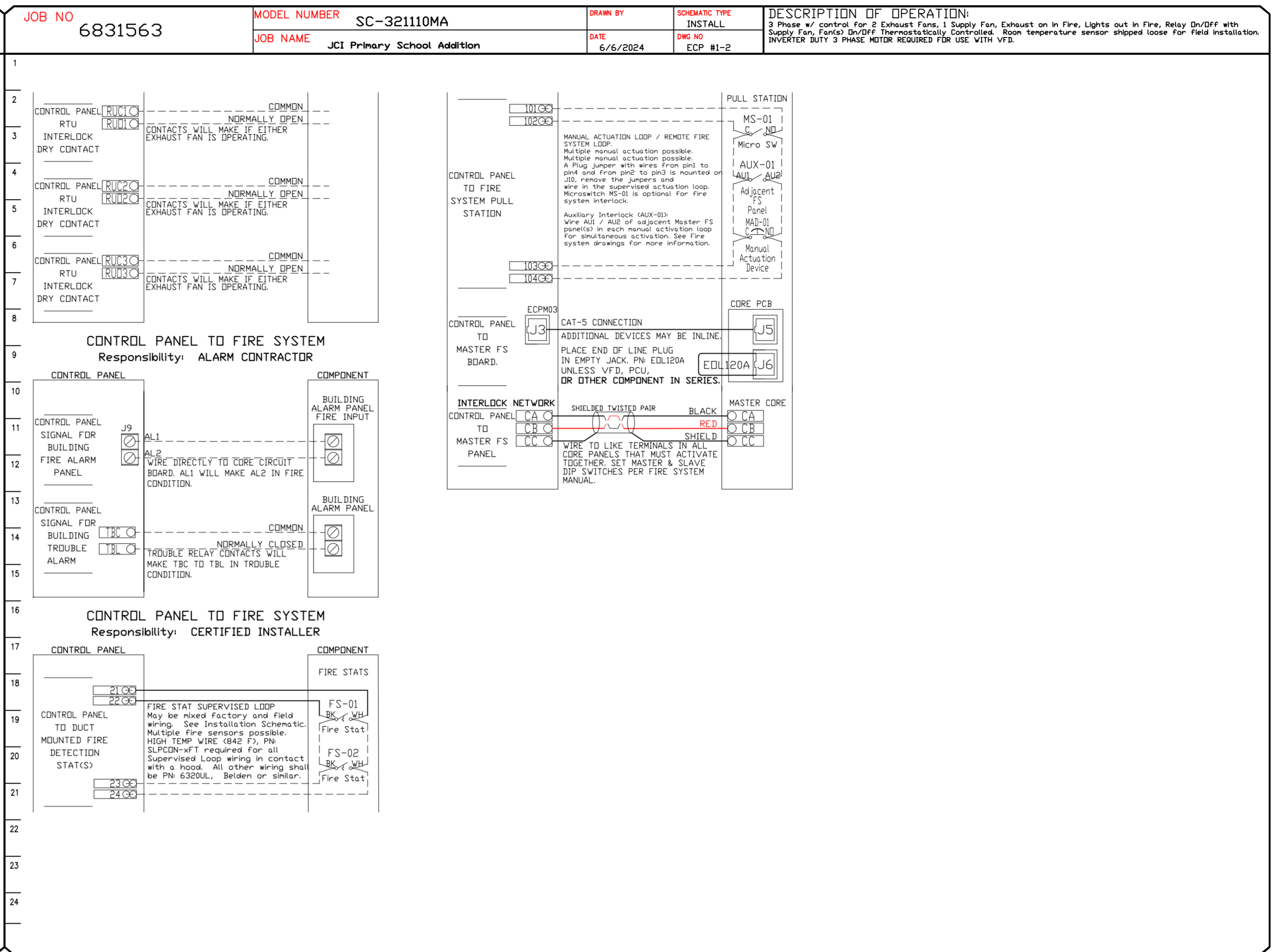
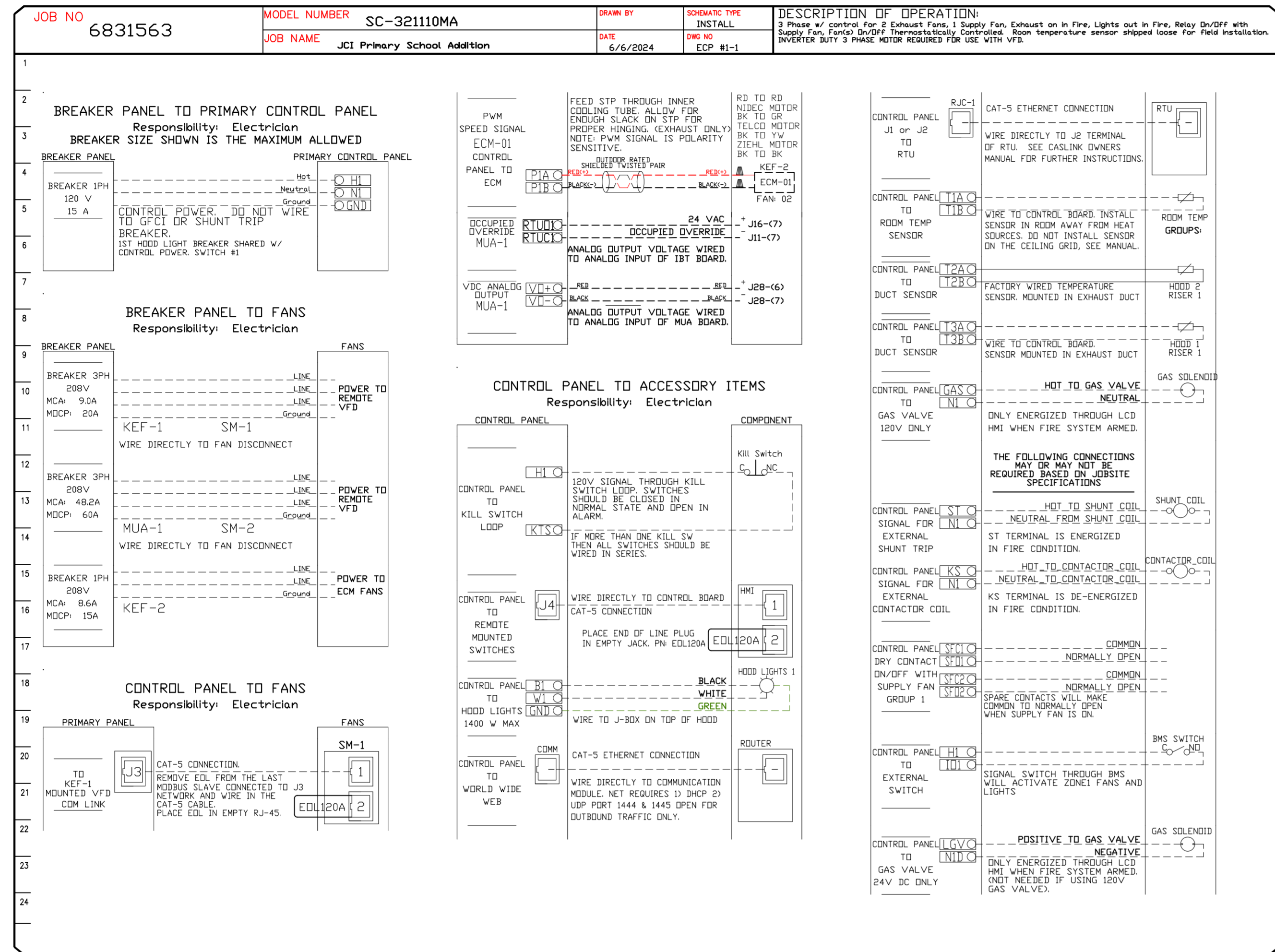
TYPICAL DOAS/RTU ROOF MOUNTING INSTALLATION INSTRUCTIONS

1. SECURE THE CURB TO THE ROOF FRAMING MEMBERS BY DRILLING 1/4" PILOT HOLES IN THE CURB FLANGES AT LOCATIONS SHOWN IN THE DIAGRAM BELOW. USING 3/8" X 2" ZINC PLATED STEEL LAG BOLTS, AND ZINC PLATED WASHERS, SCREW THROUGH THE CURB FLANGES AND INTO THE ROOF FRAMING MEMBERS. A MINIMUM OF (5) LAG BOLTS ON EACH SHORT SIDE, AND (7) LAG BOLTS ON EACH LONG SIDE IS REQUIRED.
2. SECURE THE UNIT BASE TO THE SIDE WALLS OF THE CURB USING (24) 1/4"-14 X 2" SELF-DRILLING, STEEL ZINC PLATED SCREWS. PRE-PUNCHED HOLES HAVE BEEN PROVIDED FOR EACH SCREW LOCATION.



ELECTRICAL PACKAGE - JOB#6831563

NO	TAG	PACKAGE #	LOCATION	SWITCHES		OPTION	FANS CONTROLLED					
				LOCATION	QUANTITY		FAN TAG	TYPE	Φ	HP	VOLT	FLA
1		SC-321110MA	UTILITY CABINET RIGHT	UDS	1 LIGHT 1 FAN	SMART CONTROLS THERMOSTATIC CONTROL W/ RELAY ON/OFF WITH SUPPLY	KEF-1	EXHAUST	3	2.000	208	7.2
							KEF-2	EXHAUST	1	1.000	208	6.9
							MUA-1	SUPPLY	3	5.000	208	15.0



REVISIONS

DESCRIPTION	DATE

CAPTIVE

Tulsa Office
 12101 East 51st Street, Suite 101A, Tulsa, OK, 74146 PHONE: (918) 258-0291 FAX: 9182275947 EMAIL: reg80@captiveware.com

JCI Primary School Addition
 193 School Street,
 Hartman, AR, 72840

DATE: 6/6/2024

DWG.#: 6831563

DRAWN BY: TMA

SCALE: 3/4" = 1'-0"

MASTER DRAWING

SHEET NO.
10

DUCTWORK #1 PARTS – JOB#6831563 DOUBLE WALL KH-1/KEF-1

TAG	PART #	CFM	GPM	ZONE	COVEREDBY	SP	WEIGHT	VELOCITY	QTY	DESCRIPTION
HI-E1	DW20DWRISER-2R-S	2600				-1.21	8.36	0.00	1	DOUBLE WALL RISER COVER - USED ON 16" INNER RISER, 4' LONG - 2 LAYERS REDUCED CLEARANCE - 20" STAINLESS STEEL OUTER RISER SHELL ASSEMBLY. INCLUDES INSULATION & SINGLE V CLAMPS FOR INNER & OUTER CONNECTIONS.
P1	DW1647DWAJD-2R-S	2600				-0.012	103.34	1862.11	1	DOUBLE WALL ADJUSTABLE DUCT - 16" INNER DUCT - 2 LAYERS REDUCED CLEARANCE - 20" STAINLESS STEEL OUTER SHELL. MIN LENGTH = 11' / MAX LENGTH = 48.5' / ADJUSTMENT = 30.5' / ADJUSTABLE SECTION MAY NEED TO BE CUT. INCLUDES SINGLE AND DOUBLE WALL "V" CLAMPS.
P2	DW1645DWASY-2R-S	2600				-0.048	22.06	1862.11	1	DOUBLE WALL DUCT - 16" INNER 45 DUCT - 2 LAYERS REDUCED CLEARANCE - 20" STAINLESS STEEL OUTER SHELL.
P3	DW1647DWAJD-2R-S	2600				-0.013	103.34	1862.11	1	DOUBLE WALL ADJUSTABLE DUCT - 16" INNER DUCT - 2 LAYERS REDUCED CLEARANCE - 20" STAINLESS STEEL OUTER SHELL. MIN LENGTH = 11' / MAX LENGTH = 48.5' / ADJUSTMENT = 30.5' / ADJUSTABLE SECTION MAY NEED TO BE CUT. INCLUDES SINGLE AND DOUBLE WALL "V" CLAMPS.
P4	DW2024SADKIT						8.01		1	DUCT - HORIZONTAL SADDLE SUPPORT KIT, USED WITH 20" DD - INCLUDES UNI-STRUT CUT TO LENGTH, DW2024SAD, & HARDWARE BAG 4.
P5	DW1645DWASY-2R-S	2600				-0.08	22.06	1862.11	1	DOUBLE WALL DUCT - 16" INNER 45 DUCT - 2 LAYERS REDUCED CLEARANCE - 20" STAINLESS STEEL OUTER SHELL.
P6 ASSEMBLED W/P7	DW1647DWAJDTP-2R-S	2600				-0.016	102.54	1862.11	1	DOUBLE WALL ADJUSTABLE DUCT TRANSITION PLATE - 16" INNER DUCT - 2 LAYERS REDUCED CLEARANCE - 20" STAINLESS STEEL OUTER SHELL. MIN LENGTH = 11' / MAX LENGTH = 48.5' / ADJUSTMENT = 30.5' / ADJUSTABLE SECTION MAY NEED TO BE CUT. INCLUDES SINGLE AND DOUBLE WALL "V" CLAMPS.
P7 ASSEMBLED W/P6 □=T	DW2616TP	2600					11.62	1862.11	1	DUCT TO CURB TRANSITION, 26-1/2" CURB TO 16" DUCT, 16 GA ALUMINIZED. USED ON BDU18.
SYSTEM AT P7						-1.379	0.00			
RC1	DW20DWRISER-2R-S						8.36		1	DOUBLE WALL RISER COVER - USED ON 16" INNER RISER, 4' LONG - 2 LAYERS REDUCED CLEARANCE - 20" STAINLESS STEEL OUTER RISER SHELL ASSEMBLY. INCLUDES INSULATION & SINGLE V CLAMPS FOR INNER & OUTER CONNECTIONS.
	3M-2000PLUS						0.80		2	DUCT - 3M FIRE BARRIER 2000 PLUS SILICONE - USED AS SEALANT TO SEAL DUCT JOINTS.
TOTAL WEIGHT							391.29			

DOUBLE WALL FACTORY BUILT DUCTWORK

- ALL DUCTWORK IS REQUIRED TO BE INSTALLED WITH THE MAXIMUM SUPPORT SPACING LISTED BELOW.
- FOR A COMPLETE LIST OF APPROVED SUPPORT METHODS, SEE THE ENTIRE INSTALLATION AND OPERATION MANUAL.
- DUCTWORK SHALL SLOPE NOT LESS THAN 1/16" PER LINEAR FOOT TOWARDS THE HOOD OR AN APPROVED GREASE COLLECTION RESERVOIR.
- WHERE HORIZONTAL DUCTS EXCEED 75 FEET IN LENGTH, THE SLOPE SHALL NOT BE LESS THAN 3/16" PER LINEAR FOOT.

HORIZONTAL	
DUCT DIAMETER	SUPPORT SPACING (FT)
5"	7'
6"	7'
7"	7'
8"	7'
10"	7'
12"	7'
14"	7'
16"	7'
18"	5'
20"	5'
22"	5'
24"	5'
26"	5'
28"	5'
30"	5'
32"	5'
34"	5'
36"	5'

VERTICAL			
TYPE	WALL SUPPORT (FT)	CURB SUPPORT (FT)	FLOOR SUPPORT (FT)
2R & 2R HT (5'-16')	20'	24'	24'
2R (18')	18'	24'	24'
3R & 3Z (5'-24')	10'	24'	24'
3Z (26' -36')	10'	20'	20'

DO NOT LEAK TEST USING SMOKE BOMBS CONTAINING CHLORINES/CHLORIDES. CONSULT WITH CAPTIVEAIRE FOR PROPER LEAK TESTING METHODS.

REVISIONS

DESCRIPTION	DATE



JCI Primary School Addition
193 School Street,
Hartman, AR, 72840

DATE: 6/6/2024

DWG.#:
6831563

DRAWN BY: TMA

SCALE:
3/4" = 1'-0"

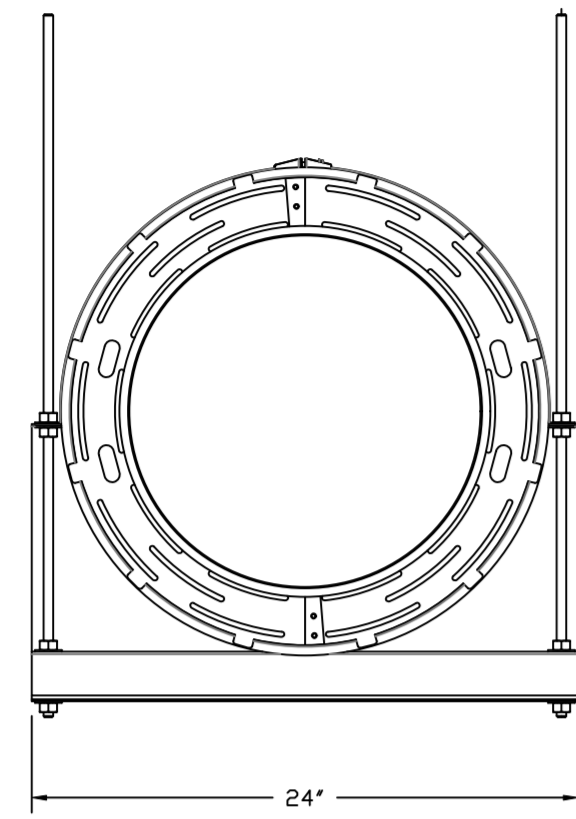
MASTER DRAWING

SHEET NO.
11

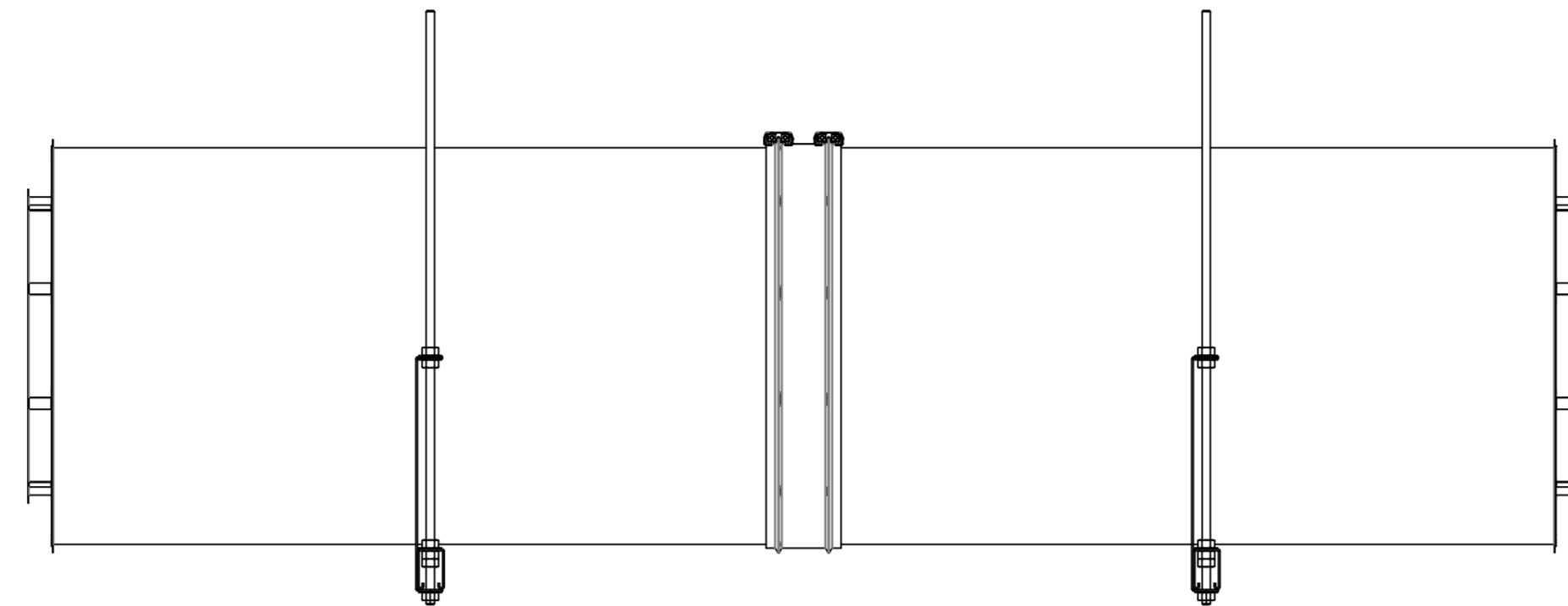
www.captiveaire.com
Tulsa Office
12101 East 51st Street, Suite 101A, Tulsa, OK, 74146 PHONE: (918) 258-0291 FAX: 9192275947 EMAIL: reg80@captiveaire.com

SUPPORT SYSTEM DETAILS #1

DW2024SADKIT - HORIZONTAL SUPPORTS



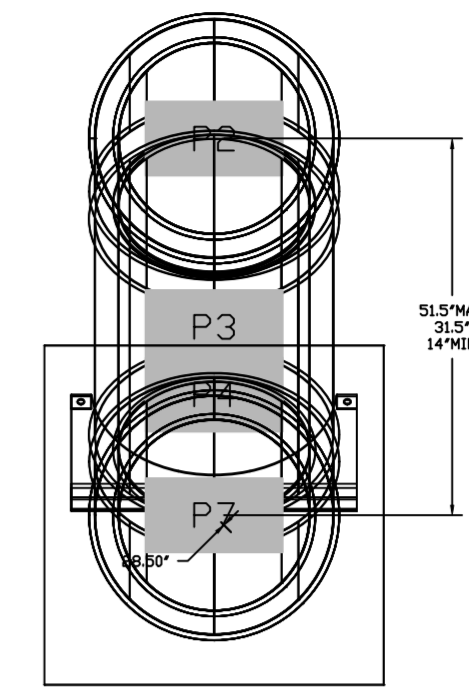
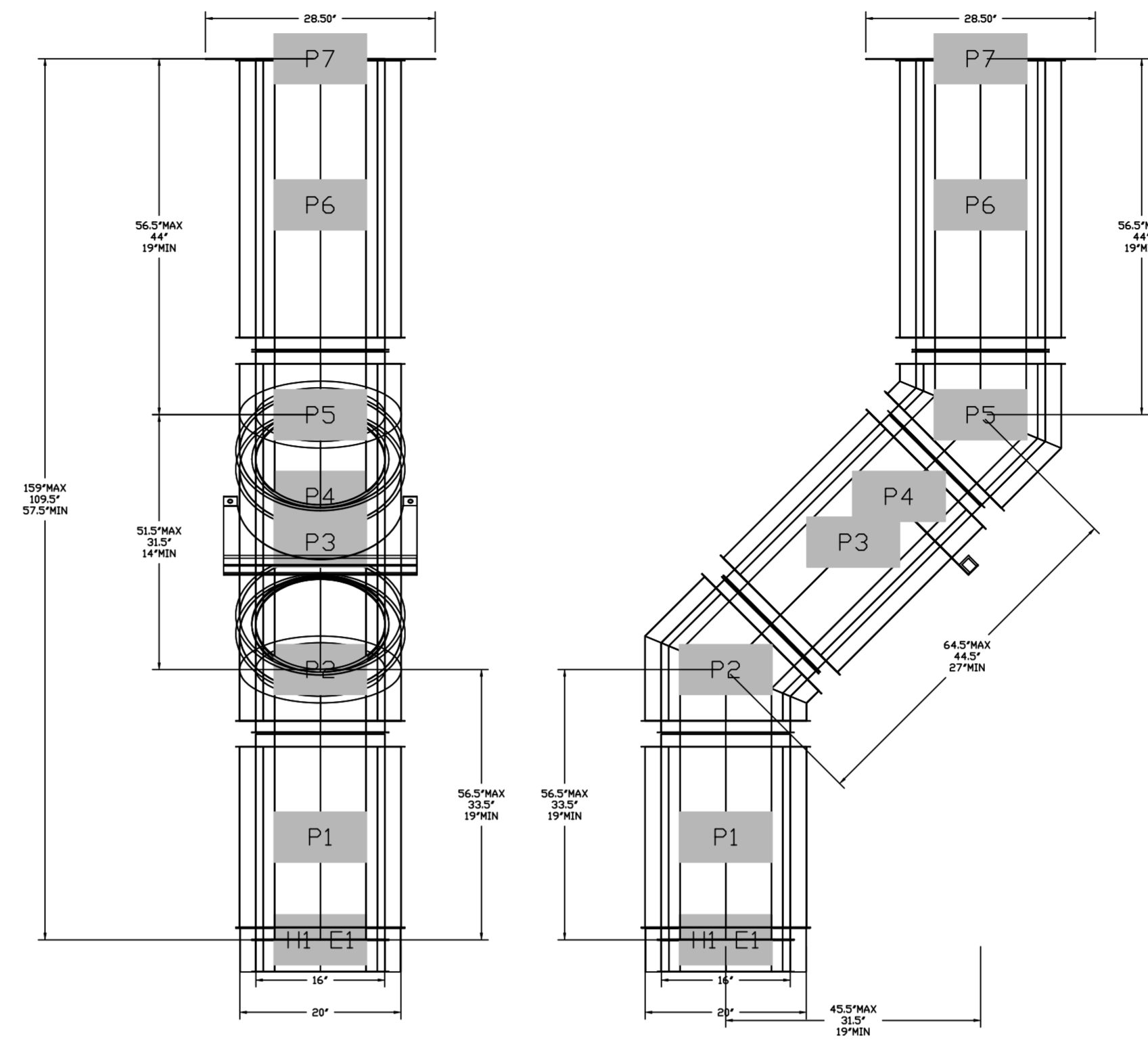
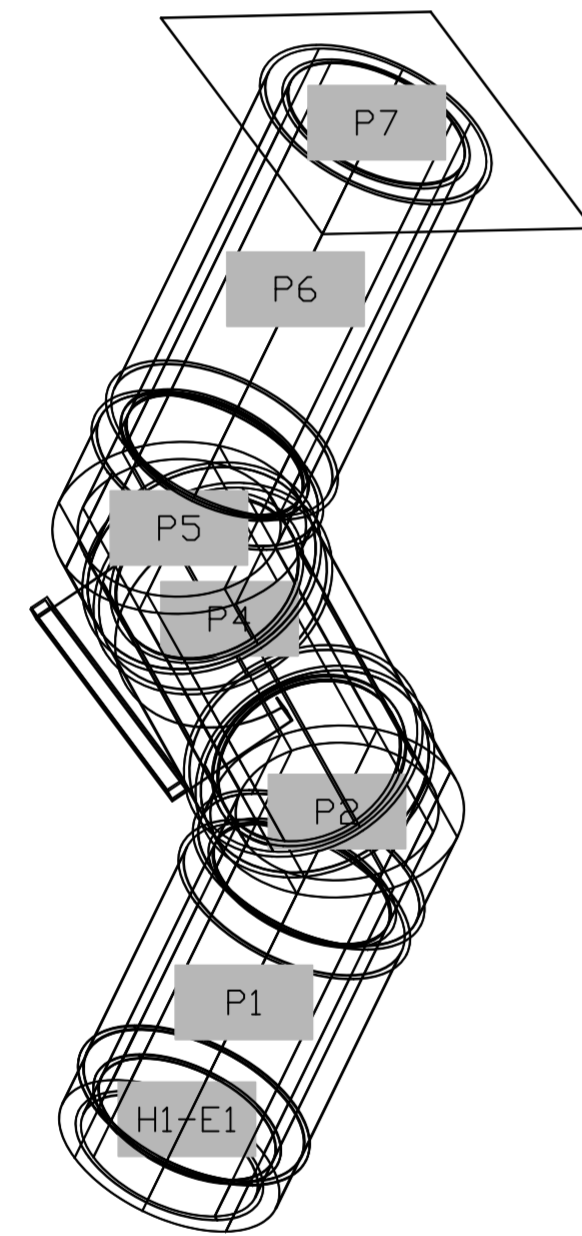
DUCTWORK #1 SE VIEW
KH-1/KEF-1



DUCTWORK #1 FRONT VIEW
KH-1/KEF-1

DUCTWORK #1 SIDE VIEW
KH-1/KEF-1

DUCTWORK #1 TOP VIEW
KH-1/KEF-1



REVISIONS	
DESCRIPTION	DATE



Tulsa Office

 www.captiveaire.com

12101 East 51st Street, Suite 101A, Tulsa, OK, 74146 PHONE: (918) 258-0291 FAX: 9192275947 EMAIL: reg80@captiveaire.com

JCI Primary School Addition
 193 School Street,
 Hartman, AR, 72840

DATE: 6/6/2024
DWG.#: 6831563
DRAWN BY: TMA
SCALE: see dims
MASTER DRAWING

SHEET NO.
 12

DUCTWORK #2 PARTS - JOB#6831563 DOUBLE WALL KH-2/KEF-2

TAG	PART #	CFM	GPM	ZONE	COVEREDBY	SP	WEIGHT	VELOCITY	QTY	DESCRIPTION
H2-E1	DW18DWRISER-2R-S	2100				-1.13	8.15	0.00	1	DOUBLE WALL RISER COVER - USED ON 14" INNER RISER, 4" LONG - 2 LAYERS REDUCED CLEARANCE - 18" STAINLESS STEEL OUTER RISER SHELL ASSEMBLY. INCLUDES INSULATION & SINGLE V CLAMPS FOR INNER & OUTER CONNECTIONS.
P1	DW1427DWAJD-2R-S	2100				-0.014	52.12	1964.43	1	DOUBLE WALL ADJUSTABLE DUCT - 14" INNER DUCT - 2 LAYERS REDUCED CLEARANCE - 18" STAINLESS STEEL OUTER SHELL. MIN LENGTH = 11" / MAX LENGTH = 24.5" / ADJUSTMENT = 13.5" / ADJUSTABLE SECTION MAY NEED TO BE CUT. INCLUDES SINGLE AND DOUBLE WALL *V* CLAMPS.
P2	DW1445DWASY-2R-S	2100				-0.054	19.87	1964.43	1	DOUBLE WALL DUCT - 14" INNER 45 DUCT - 2 LAYERS REDUCED CLEARANCE - 18" STAINLESS STEEL OUTER SHELL.
P3	DW1447DWAJD-2R-S	2100				-0.016	93.18	1964.43	1	DOUBLE WALL ADJUSTABLE DUCT - 14" INNER DUCT - 2 LAYERS REDUCED CLEARANCE - 18" STAINLESS STEEL OUTER SHELL. MIN LENGTH = 11" / MAX LENGTH = 48.5" / ADJUSTMENT = 30.5" / ADJUSTABLE SECTION MAY NEED TO BE CUT. INCLUDES SINGLE AND DOUBLE WALL *V* CLAMPS.
P4	DW1822SADKIT						7.25		1	DUCT - HORIZONTAL SADDLE SUPPORT KIT, USED WITH 18" DD - INCLUDES UNI-STRUT CUT TO LENGTH, DW1822SAD, & HARDWARE BAG 4.
P5	DW1445DWASY-2R-S	2100				-0.072	19.87	1964.43	1	DOUBLE WALL DUCT - 14" INNER 45 DUCT - 2 LAYERS REDUCED CLEARANCE - 18" STAINLESS STEEL OUTER SHELL.
P6 ASSEMBLED W/P7	DW1447DWAJDTP-2R-S	2100				-0.022	93.06	1964.43	1	DOUBLE WALL ADJUSTABLE DUCT TRANSITION PLATE - 14" INNER DUCT - 2 LAYERS REDUCED CLEARANCE - 18" STAINLESS STEEL OUTER SHELL. MIN LENGTH = 11" / MAX LENGTH = 48.5" / ADJUSTMENT = 30.5" / ADJUSTABLE SECTION MAY NEED TO BE CUT. INCLUDES SINGLE AND DOUBLE WALL *V* CLAMPS.
P7 ASSEMBLED W/P6 D=B SYSTEM AT P7	DW2614TP	2100					12.53	1964.43	1	DUCT TO CURB TRANSITION, 26-1/2" CURB TO 14" DUCT, 16 GA ALUMINIZED. USED ON BDU18.
RC1	DW18DWRISER-2R-S						8.15		1	DOUBLE WALL RISER COVER - USED ON 14" INNER RISER, 4" LONG - 2 LAYERS REDUCED CLEARANCE - 18" STAINLESS STEEL OUTER RISER SHELL ASSEMBLY. INCLUDES INSULATION & SINGLE V CLAMPS FOR INNER & OUTER CONNECTIONS.
TOTAL WEIGHT	3M-2000PLUS						0.80		2	DUCT - 3M FIRE BARRIER 2000 PLUS SILICONE - USED AS SEALANT TO SEAL DUCT JOINTS.
							315.78			

DOUBLE WALL FACTORY BUILT DUCTWORK

- ALL DUCTWORK IS REQUIRED TO BE INSTALLED WITH THE MAXIMUM SUPPORT SPACING LISTED BELOW.
- FOR A COMPLETE LIST OF APPROVED SUPPORT METHODS, SEE THE ENTIRE INSTALLATION AND OPERATION MANUAL.
- DUCTWORK SHALL SLOPE NOT LESS THAN 1/16" PER LINEAR FOOT TOWARDS THE HOOD OR AN APPROVED GREASE COLLECTION RESERVOIR.
- WHERE HORIZONTAL DUCTS EXCEED 75 FEET IN LENGTH, THE SLOPE SHALL NOT BE LESS THAN 3/16" PER LINEAR FOOT.

HORIZONTAL	
DUCT DIAMETER	SUPPORT SPACING (FT)
5"	7'
6"	7'
7"	7'
8"	7'
10"	7'
12"	7'
14"	7'
16"	7'
18"	5'
20"	5'
22"	5'
24"	5'
26"	5'
28"	5'
30"	5'
32"	5'
34"	5'
36"	5'

VERTICAL			
TYPE	WALL SUPPORT (FT)	CURB SUPPORT (FT)	FLOOR SUPPORT (FT)
2R & 2R HT (5'-16')	20'	24'	24'
2R (18")	18'	24'	24'
3R & 3Z (5'-24')	10'	24'	24'
3Z (26' -36')	10'	20'	20'

DO NOT LEAK TEST USING SMOKE BOMBS CONTAINING CHLORINES/CHLORIDES. CONSULT WITH CAPTIVEAIRE FOR PROPER LEAK TESTING METHODS.

REVISIONS	
DESCRIPTION	DATE



www.captiveaire.com
Tulsa Office
12101 East 51st Street, Suite 101A, Tulsa, OK, 74146 PHONE: (918) 258-0291 FAX: 9192275947 EMAIL: reg80@captiveaire.com

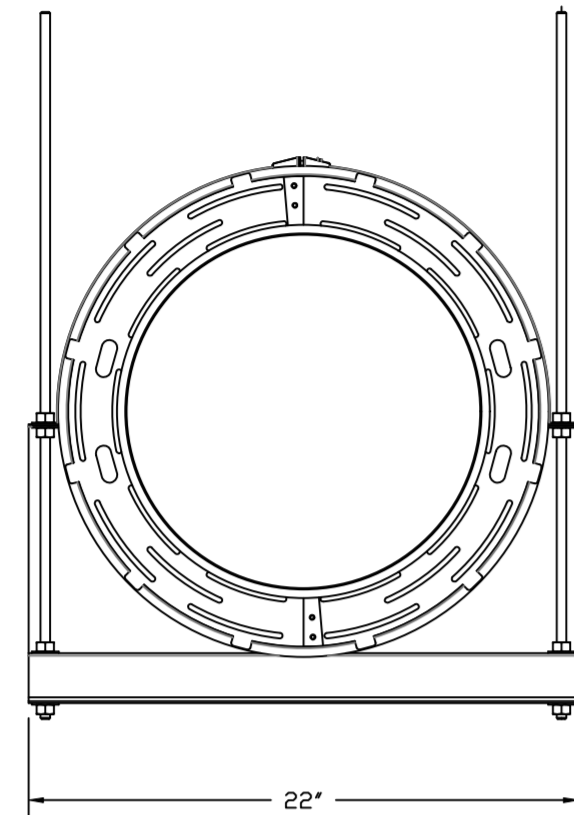
JCI Primary School Addition
193 School Street,
Hartman, AR, 72840

DATE: 6/6/2024
DWG.#: 6831563
DRAWN BY: TMA
SCALE: 3/4" = 1'-0"
MASTER DRAWING

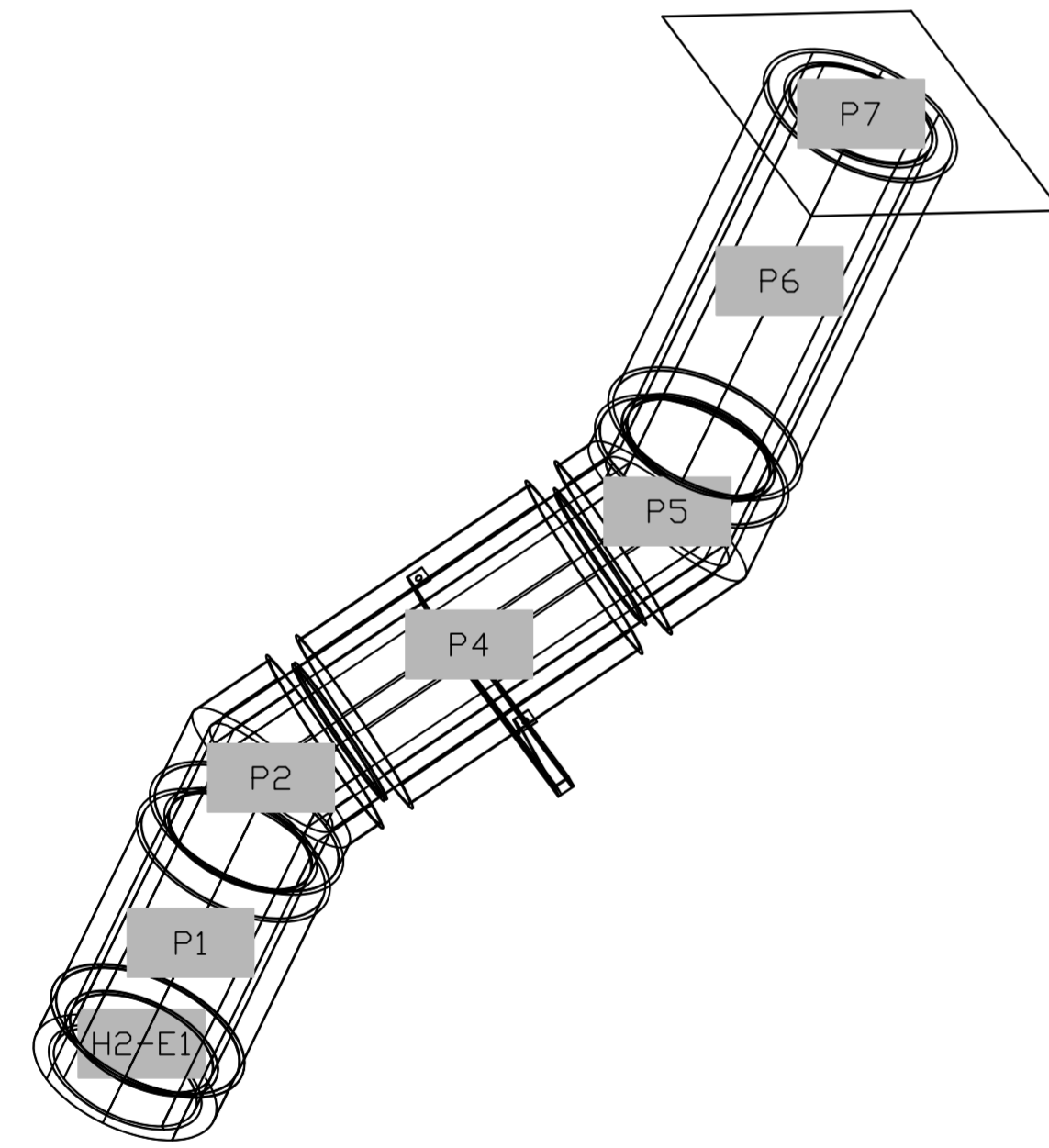
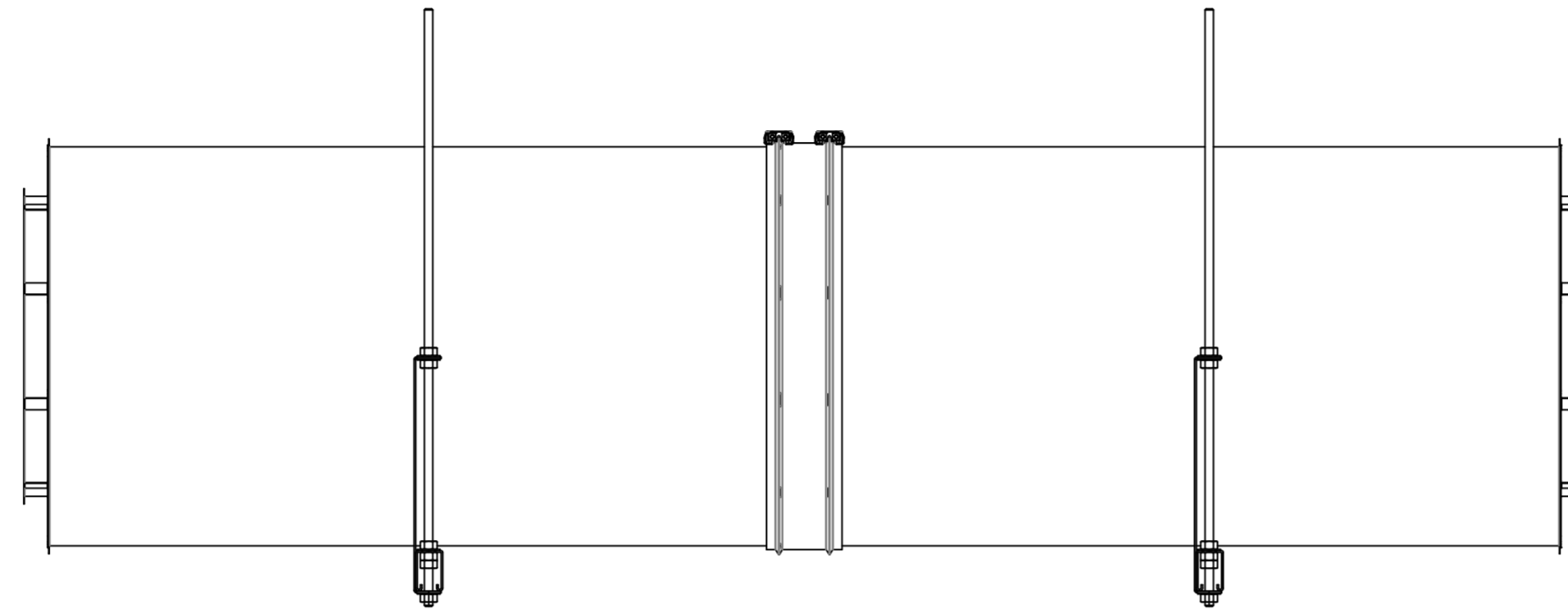
SHEET NO.
13

SUPPORT SYSTEM DETAILS #2

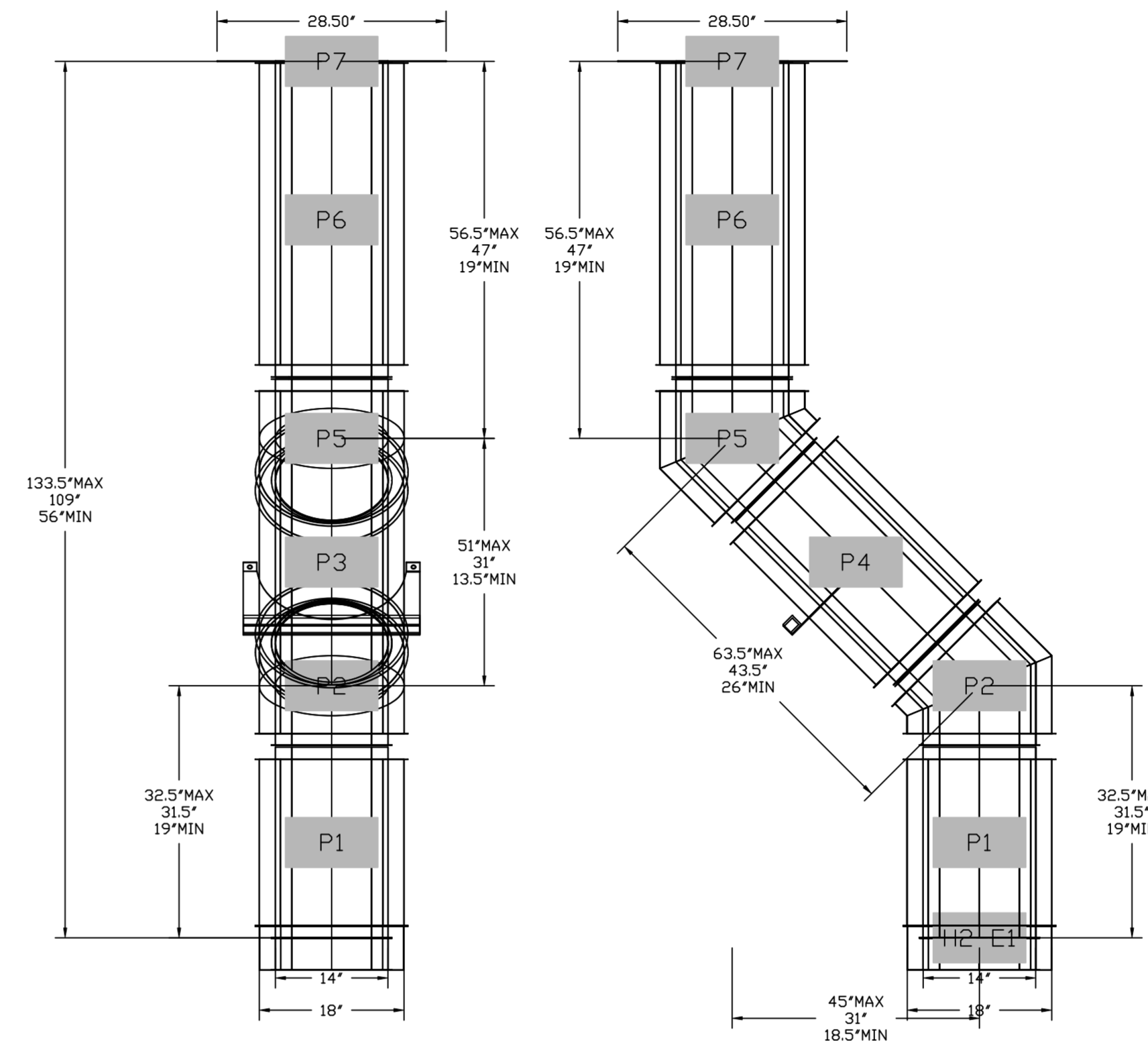
DW1822SADKIT - HORIZONTAL SUPPORTS



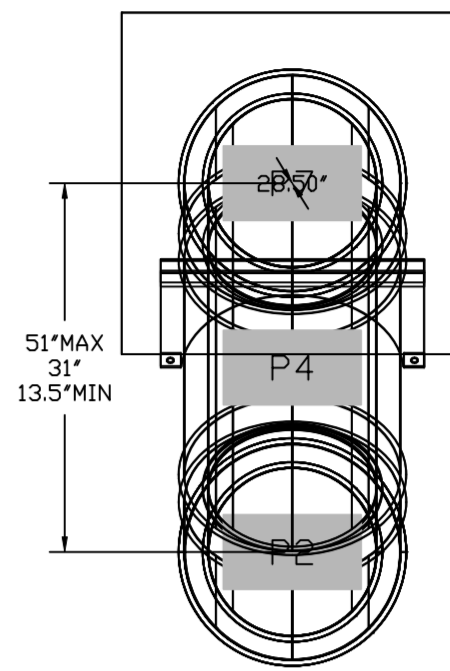
DUCTWORK #2 SE VIEW
KH-2/KEF-2



DUCTWORK #2 FRONT VIEW DUCTWORK #2 SIDE VIEW KH-2/KEF-2 KH-2/KEF-2



DUCTWORK #2 TOP VIEW KH-2/KEF-2



SYSTEM DESIGN VERIFICATION (SDV)

IF ORDERED, CAS SERVICE WILL PERFORM A SYSTEM DESIGN VERIFICATION (SDV) ONCE ALL EQUIPMENT HAS HAD A COMPLETE START UP PER THE OPERATION AND INSTALLATION MANUAL. TYPICALLY, THE SDV WILL BE PERFORMED AFTER ALL INSPECTIONS ARE COMPLETE.

ANY FIELD RELATED DISCREPANCIES THAT ARE DISCOVERED DURING THE SDV WILL BE BROUGHT TO THE ATTENTION OF THE GENERAL CONTRACTOR AND CORRESPONDING TRADES ON SITE. THESE ISSUES WILL BE DOCUMENTED AND FORWARDED TO THE APPROPRIATE SALES OFFICE. IF CAS SERVICE HAS TO RESOLVE A DISCREPANCY THAT IS A FIELD ISSUE, THE GENERAL CONTRACTOR WILL BE NOTIFIED AND BILLED FOR THE WORK. SHOULD A RETURN TRIP BE REQUIRED DUE TO ANY FIELD RELATED DISCREPANCY THAT CANNOT BE RESOLVED DURING THE SDV, THERE WILL BE ADDITIONAL TRIP CHARGES.

DURING THE SDV, CAS SERVICE WILL ADDRESS ANY DISCREPANCY THAT IS THE FAULT OF THE MANUFACTURER. SHOULD A RETURN TRIP BE REQUIRED, THE GENERAL CONTRACTOR AND APPROPRIATE SALES OFFICE WILL BE NOTIFIED. THERE WILL BE NO ADDITIONAL CHARGES FOR MANUFACTURER DISCREPANCIES.

REVISIONS	
DESCRIPTION	DATE



Tulsa Office
www.captiveair.com
12101 East 51st Street, Suite 101A, Tulsa, OK, 74146
PHONE: (918) 258-0291 FAX: 9192275947 EMAIL: reg80@captiveair.com

JCI Primary School Addition
193 School Street,
Hartman, AR, 72840

DATE: 6/6/2024
DWG.#: 6831563
DRAWN BY: TMA
SCALE: 3/4" = 1'-0"
MASTER DRAWING
SHEET NO. 14

IMPORTANT SPECIAL UDS PARTS/NOTES

- ★ ONE (1) EV-9797-40 WATER FILTER WITH WINDOW.
- ★ NEOPRENE BUMPER GUARDS.
- ★ VERTICAL END PANEL LOCATION.

UDS CONSTRUCTION TO BE 18 GA., TYPE 304 STAINLESS STEEL

UTILITY DISTRIBUTION SYSTEM MODEL UDI IS LISTED UNDER ETL FILE NUMBERS 104826524CRT-001 & 10175491COL-001 CONFORMS TO UL STD 891 & 508A CERTIFIED TO CAN/CSA C22.2 No. 31-M89

ALL GAS ASSOCIATED REVIEW AND TESTING WERE PERFORMED THROUGH INTERTEK UNDER THESE NEW TESTS/CERTIFICATIONS.

PRIOR TO SCHEDULING UDS FOR PRODUCTION PLEASE PROVIDE APPROVED SUBMITTAL CUTSHEETS ON FINAL KITCHEN EQUIPMENT ASSOCIATED WITH THE UDS (NEW & USED) SO THAT CONNECTION SIZES, TYPES AND LOCATIONS CAN BE VERIFIED

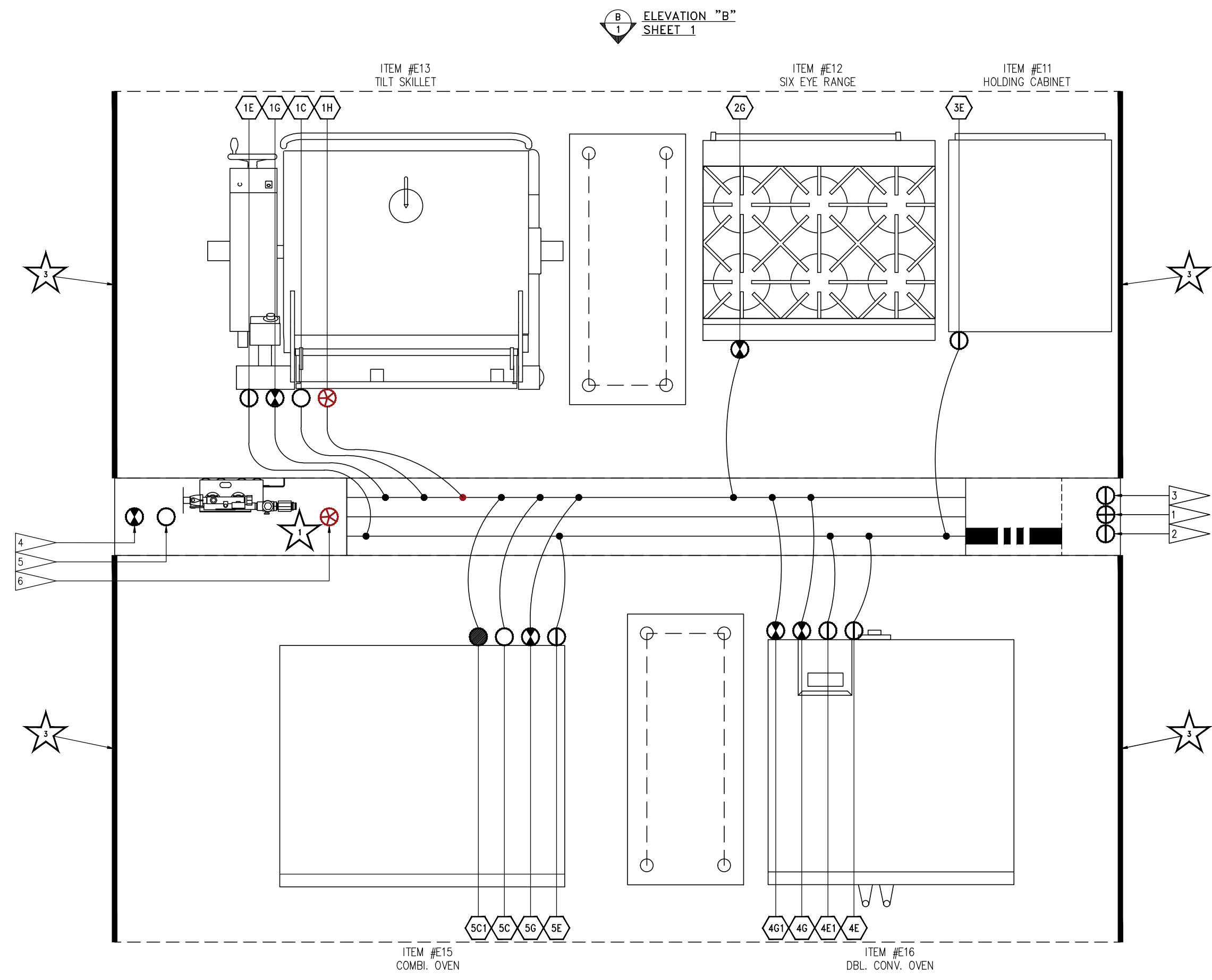
ANY CHANGES TO SUBMITTAL DRAWING MAY AFFECT PRICE AND PRODUCTION TIME PLEASE FORWARD CHANGES ASAP

-----NOTE-----
CUSTOMER TO VERIFY FLOOR DRAIN LOCATIONS PRIOR TO ORDERING UDS. C.A.S. IS NOT RESPONSIBLE FOR DRAINS LOCATED UNDERNEATH RISERS/PEDESTALS LOCATIONS.

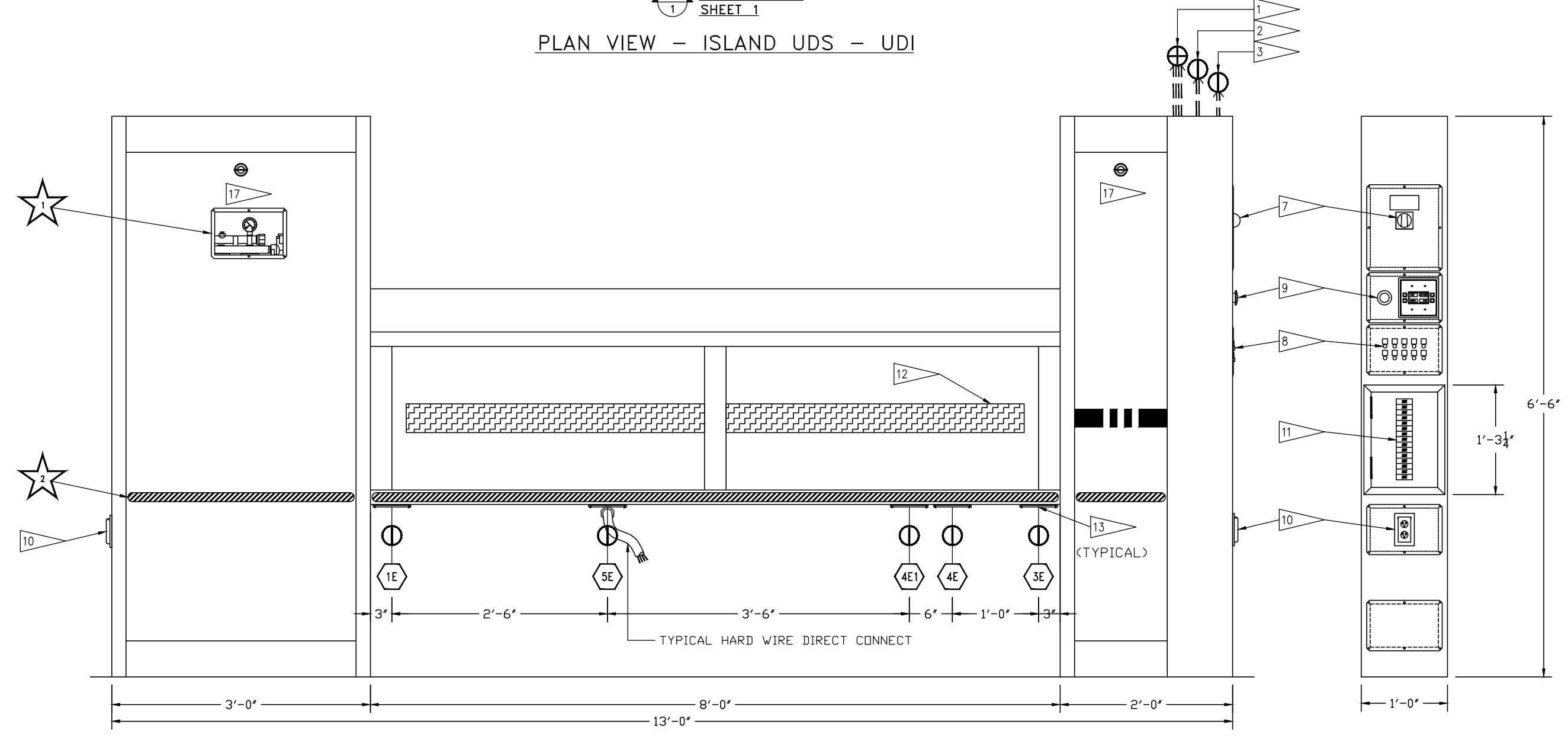
-----NOTE-----
NEC REQUIRES 36" OF FIELD CLEARANCE IN FRONT & 30" ACCROSS OF CIRCUIT BREAKERS FOR ACCESS.

SYMBOL SCHEDULE	
○	COLD WATER
⊗	HOT WATER
●	FILTERED WATER
⊕	NATURAL GAS
⊖	PROPANE
Ⓛ	120 VAC 1 PHASE
Ⓜ	208 VAC 1 PHASE
Ⓝ	208 VAC 3 PHASE
Ⓞ	480 VAC 3 PHASE
Ⓟ	STEAM SUPPLY
Ⓠ	STEAM CONDENSATE RETURN

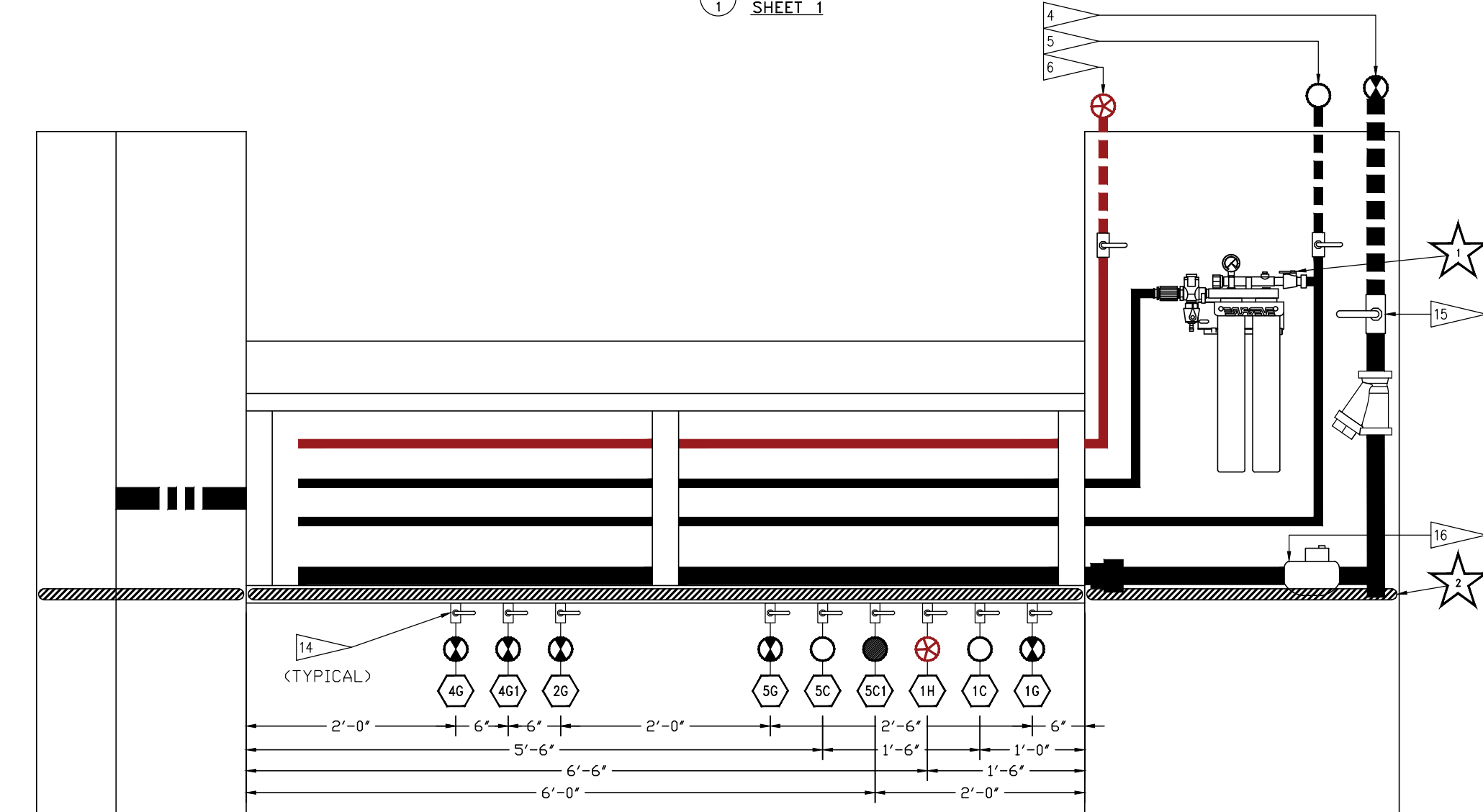
- STANDARD FLAG NOTES**
- 1 ELECTRICAL SERVICE FROM ABOVE, SEE SCHEDULE FOR DETAILS. PROVIDED BY ELECTRICAL CONTRACTOR.
 - 2 120V/1PH/1SA DEDICATED ELECTRICAL CIRCUIT INTO UDS TERMINALS 'HI, NI' FOR FUEL/SHUNT CONTROL. (PROVIDED BY ELECTRICAL CONTRACTOR) SEE SCHEMATIC BELOW.
 - 3 3-WIRE ELECTRICAL CIRCUIT FROM HOOD CONTROL PACKAGE TERMINALS 'GAS, ST & KTS' TO UDS LIKE TERMINALS 'GAS, ST & KTS' FOR UDS SHUT DOWN IN A FIRE CONDITION. (PROVIDED BY ELECTRICAL CONTRACTOR) SEE SCHEMATIC BELOW.
 - 4 GAS SERVICE FROM ABOVE, SEE SCHEDULE FOR SERVICE SIZE AND STYLE (PROVIDED BY PLUMBING CONTRACTOR)
 - 5 COLD WATER SERVICE FROM ABOVE, SEE SCHEDULE FOR SERVICE SIZE (PROVIDED BY PLUMBING CONTRACTOR)
 - 6 HOT WATER SERVICE FROM ABOVE, SEE SCHEDULE FOR SERVICE SIZE (PROVIDED BY PLUMBING CONTRACTOR)
 - 7 SERVICE MAIN BREAKER W/SHUNT TRIP AND RESET HANDLE, SEE SCHEDULE FOR DETAILS.
 - 8 STATUS INDICATOR LIGHTS.
 - 9 EMERGENCY KILL SWITCH W/ HMI/DCV SWITCH PLATE.
 - 10 ICD RECEPTACLE W/ BREAKER & WEATHERPROOF COVER.
 - 11 ELECTRICAL LOAD CENTER WITH INDIVIDUAL CIRCUIT BREAKERS.
 - 12 ELECTRICAL WIRING TO APPLIANCES.
 - 13 ELECTRICAL CONNECTION W/WEATHERPROOF COVER AS SPECIFIED ON THE EQUIPMENT SCHEDULE, SEE THIS SHEET.
 - 14 PLUMBING CONNECTION AS SPECIFIED ON THE EQUIPMENT SCHEDULE, SEE THIS SHEET.
 - 15 MANUAL SHUT OFF VALVE.
 - 16 120V ELECTRICAL GAS VALVE.
 - 17 REMOVABLE ACCESS DOORS.



ELEVATION "A" SHEET 1
PLAN VIEW - ISLAND UDS - UDI



ELEVATION "A" SHEET 1

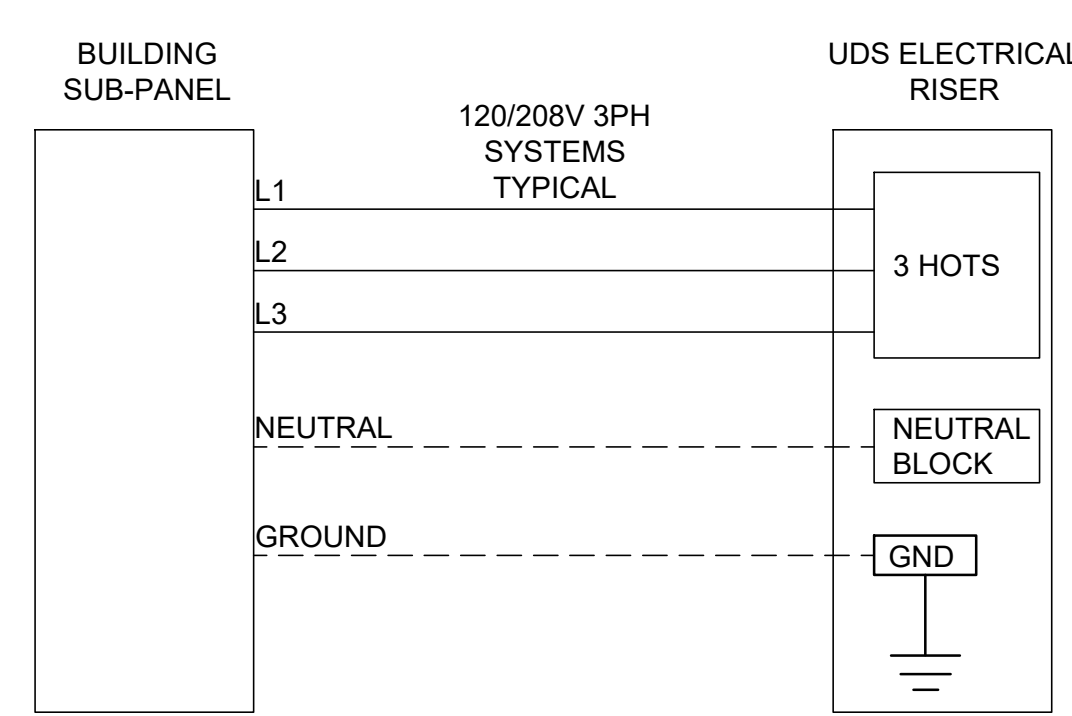


ELEVATION "B" SHEET 1



JOB	JCI PRIMARY SCHOOL ADDITION
LOCATION	-
DATE	6/4/24
DRAWN BY	DDH
CHECKED BY	BET
REV	-
JOB #	-
SCALE	3/4"

IMPORTANT SPECIAL UDS PARTS/NOTES	
★	ONE (1) EV-9797-40 WATER FILTER WITH WINDOW.
★	NEOPRENE BUMPER GUARDS.
★	VERTICAL END PANEL LOCATION.



UDS CONSTRUCTION TO BE 18 GA., TYPE 304 STAINLESS STEEL

UTILITY DISTRIBUTION SYSTEM MODEL UDI IS LISTED UNDER ETL FILE NUMBERS 104826524CRT-001 & 10175491COL-001 CONFORMS TO UL STD 891 & 508A CERTIFIED TO CAN/CSA C22.2 No. 31-M89

ALL GAS ASSOCIATED REVIEW AND TESTING WERE PERFORMED THROUGH INTERTEK UNDER THESE NEW TESTS/CERTIFICATIONS.

PRIOR TO SCHEDULING UDS FOR PRODUCTION PLEASE PROVIDE APPROVED SUBMITTAL CUTSHEETS ON FINAL KITCHEN EQUIPMENT ASSOCIATED WITH THE UDS (NEW & USED) SO THAT CONNECTION SIZES, TYPES AND LOCATIONS CAN BE VERIFIED

ANY CHANGES TO SUBMITTAL DRAWING MAY AFFECT PRICE AND PRODUCTION TIME PLEASE FORWARD CHANGES ASAP

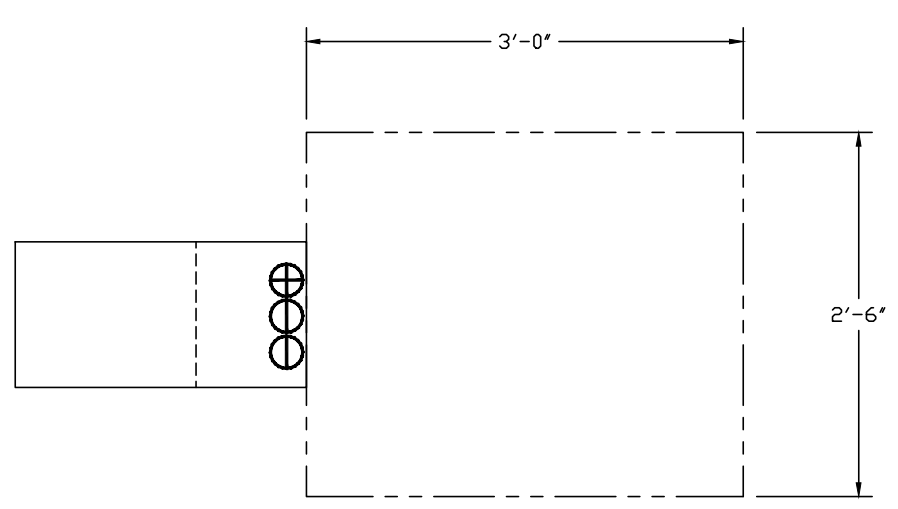
-----NOTE-----
CUSTOMER TO VERIFY FLOOR DRAIN LOCATIONS PRIOR TO ORDERING UDS. C.A.S. IS NOT RESPONSIBLE FOR DRAINS LOCATED UNDERNEATH RISERS/PEDESTALS LOCATIONS.

-----NOTE-----
NEC REQUIRES 36" OF FIELD CLEARANCE IN FRONT & 30" ACCROSS OF CIRCUIT BREAKERS FOR ACCESS.

SYMBOL SCHEDULE	
○	COLD WATER
⊙	HOT WATER
⊘	FILTERED WATER
⊕	NATURAL GAS
⊖	PROPANE
⊕	120 VAC 1 PHASE
⊕	208 VAC 1 PHASE
⊕	208 VAC 3 PHASE
⊕	480 VAC 3 PHASE
⊕	STEAM SUPPLY
⊕	STEAM CONDENSATE RETURN

- STANDARD FLAG NOTES**
- ELECTRICAL SERVICE FROM ABOVE, SEE SCHEDULE FOR DETAILS. PROVIDED BY ELECTRICAL CONTRACTOR.
 - 120V/1PH/1SA DEDICATED ELECTRICAL CIRCUIT INTO UDS TERMINALS 'HI, NI' FOR FUEL/SHUNT CONTROL. (PROVIDED BY ELECTRICAL CONTRACTOR) SEE SCHEMATIC BELOW.
 - 3-WIRE ELECTRICAL CIRCUIT FROM HOOD CONTROL PACKAGE TERMINALS 'GAS, ST & KTS' TO UDS LIKE TERMINALS 'GAS, ST & KTS' FOR UDS SHUT DOWN IN A FIRE CONDITION. (PROVIDED BY ELECTRICAL CONTRACTOR) SEE SCHEMATIC BELOW.
 - GAS SERVICE FROM ABOVE, SEE SCHEDULE FOR SERVICE SIZE AND STYLE (PROVIDED BY PLUMBING CONTRACTOR)
 - COLD WATER SERVICE FROM ABOVE, SEE SCHEDULE FOR SERVICE SIZE (PROVIDED BY PLUMBING CONTRACTOR)
 - HOT WATER SERVICE FROM ABOVE, SEE SCHEDULE FOR SERVICE SIZE (PROVIDED BY PLUMBING CONTRACTOR)
 - SERVICE MAIN BREAKER W/SHUNT TRIP AND RESET HANDLE, SEE SCHEDULE FOR DETAILS.
 - STATUS INDICATOR LIGHTS.
 - EMERGENCY KILL SWITCH W/ HM/DCV SWITCH PLATE.
 - DCD RECEPTACLE W/ BREAKER & WEATHERPROOF COVER.
 - ELECTRICAL LOAD CENTER WITH INDIVIDUAL CIRCUIT BREAKERS.
 - ELECTRICAL WIRING TO APPLIANCES.
 - ELECTRICAL CONNECTION W/WEATHERPROOF COVER AS SPECIFIED ON THE EQUIPMENT SCHEDULE, SEE THIS SHEET.
 - PLUMBING CONNECTION AS SPECIFIED ON THE EQUIPMENT SCHEDULE, SEE THIS SHEET.
 - MANUAL SHUT OFF VALVE.
 - 120V ELECTRICAL GAS VALVE.
 - REMOVABLE ACCESS DOORS.

NEC BREAKER CLEARANCE

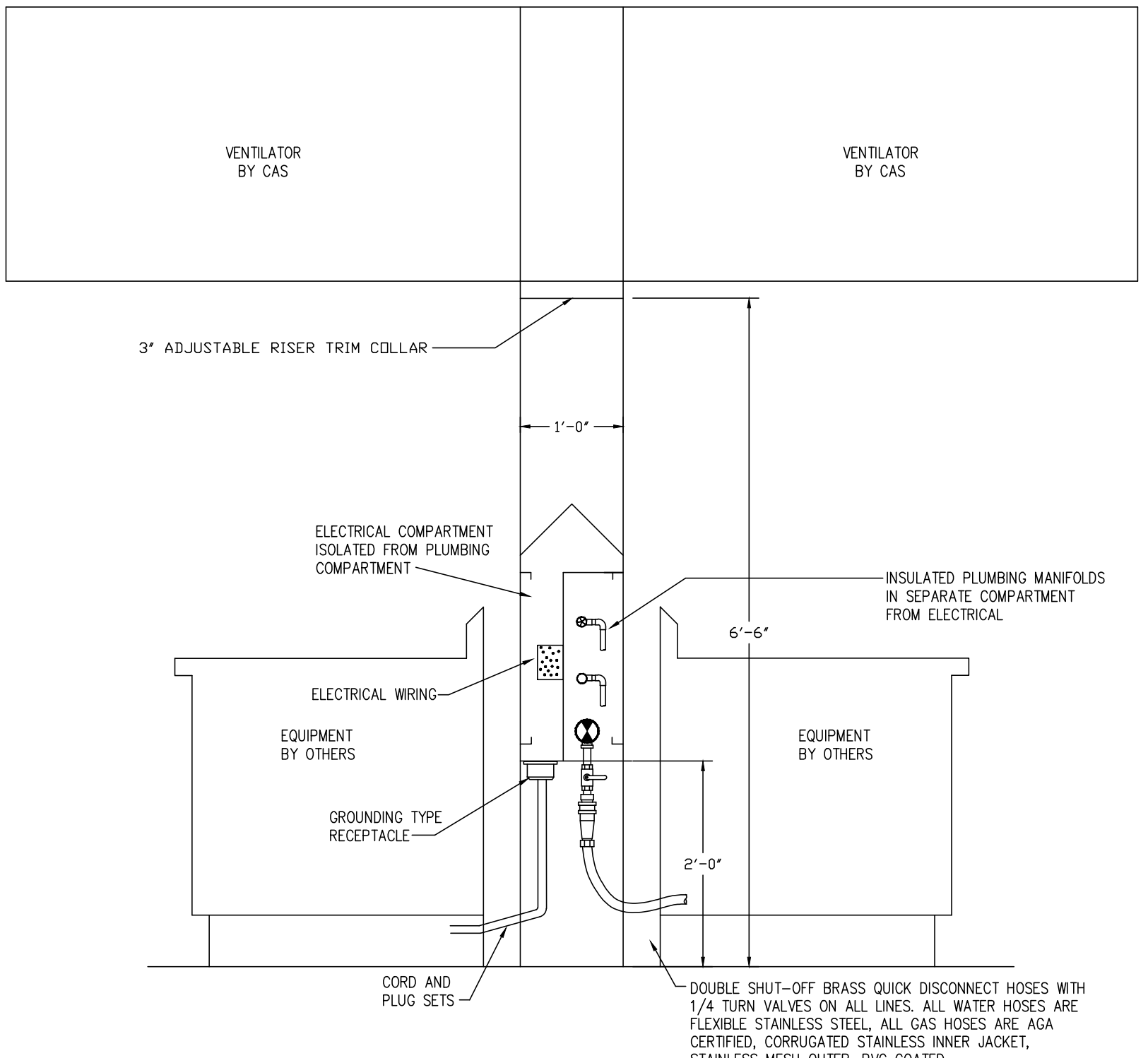


UTILITY DISTRIBUTION SYSTEM EQUIPMENT SCHEDULE																								
EQUIPMENT					ELECTRICAL					CIRCUIT BREAKER		RECEPTACLE	GAS		WATER		STEAM			CONNECTION		NOTES		
CONN.#	ITEM	DESCRIPTION	MANUFACTURER	MODEL #	KW.	AMPS	HP	VOLT	PH	AMPS	POLES	PART #	SIZE	MBH	HOT	COLD	SUPPLY	COND.	RETURN	LBS/HR	TYPE		LENGTH	
1E	E13	TILT SKILLET	-	-	1.9	16.0	-	120	1	20	1	DR20	3/4"	200	-	-	-	-	-	-	-	SUPPLIED W/ EQUIP.	-	GFI BREAKER
1G	E13	TILT SKILLET	-	-	-	-	-	-	-	-	-	-	-	-	-	-	-	-	-	-	-	QUICK DISCONNECT	5'	-
1H	E13	TILT SKILLET	-	-	-	-	-	-	-	-	-	-	-	-	1/2"	-	-	-	-	-	-	QUICK DISCONNECT	5'	-
1C	E13	TILT SKILLET	-	-	-	-	-	-	-	-	-	-	-	-	1/2"	-	-	-	-	-	-	QUICK DISCONNECT	5'	-
2G	E12	SIX EYE RANGE	VULCAN	365-6BN	-	-	-	-	-	-	-	-	3/4"	215	-	-	-	-	-	-	-	QUICK DISCONNECT	5'	-
3E	E11	HOLDING CABINET	WINHOLT	NHPL-1836C	1.4	12.0	-	120	1	20	1	DR20	-	-	-	-	-	-	-	-	-	SUPPLIED W/ EQUIP.	-	GFI BREAKER
4E	E16	DBL. CONV. OVEN	DUKE	E101-GV	0.4	3.5	-	120	1	20	1	DR20	-	-	-	-	-	-	-	-	-	SUPPLIED W/ EQUIP.	-	GFI BREAKER
4E1	E16	DBL. CONV. OVEN	DUKE	E101-GV	0.4	3.5	-	120	1	20	1	DR20	-	-	-	-	-	-	-	-	-	SUPPLIED W/ EQUIP.	-	GFI BREAKER
4G	E16	DBL. CONV. OVEN	DUKE	E101-GV	-	-	-	-	-	-	-	-	3/4"	40	-	-	-	-	-	-	-	QUICK DISCONNECT	5'	-
4G1	E16	DBL. CONV. OVEN	DUKE	E101-GV	-	-	-	-	-	-	-	-	3/4"	40	-	-	-	-	-	-	-	QUICK DISCONNECT	5'	-
5E	E15	COMBI. OVEN	BLODGETT	BLCP102	1.1	9.0	-	120	1	20	1	-	-	-	-	-	-	-	-	-	-	DIRECT	8'	CONDUIT & WIRE
5G	E15	COMBI. OVEN	BLODGETT	BLCP102	-	-	-	-	-	-	-	-	3/4"	95.5	-	-	-	-	-	-	-	QUICK DISCONNECT	5'	-
5C	E15	COMBI. OVEN	BLODGETT	BLCP102	-	-	-	-	-	-	-	-	-	-	3/4"	-	-	-	-	-	-	QUICK DISCONNECT	5'	-
5C1	E15	COMBI. OVEN	BLODGETT	BLCP102	-	-	-	-	-	-	-	-	-	-	3/4"	-	-	-	-	-	-	QUICK DISCONNECT	5'	FILTERED
D1	-	DUPLEX OUTLET	-	-	-	-	-	120	1	20	1	DR20	-	-	-	-	-	-	-	-	-	FACTORY	-	GFI BREAKER
D2	-	DUPLEX OUTLET	-	-	-	-	-	120	1	20	1	DR20	-	-	-	-	-	-	-	-	-	FACTORY	-	GFI BREAKER
TOTAL CONNECTED LOAD:				5.3	KW.	14.7	AMP	0.0	KW.	0.0	AMP	590.5	MBH	H.W.	STEAM SUPPLY									
FUTURE AVAILABLE LOAD CAPACITY:				9.1	KW.	25.3	AMP	0.0	KW.	0.0	AMP	1109.5	MBH	3/4"										
SYSTEM CAPACITY:				14.4	KW.	40.0	AMP	0.0	KW.	0.0	AMP	1700	MBH	C.W.	COND. RETURN									
SERVICE SIZE:				120/208 V/ 3 PH/ 50 AMP				V/ PH/ AMP				2" IPS SINGLE		3/4"										

CUSTOMER TO VERIFY PRIOR TO ORDERING

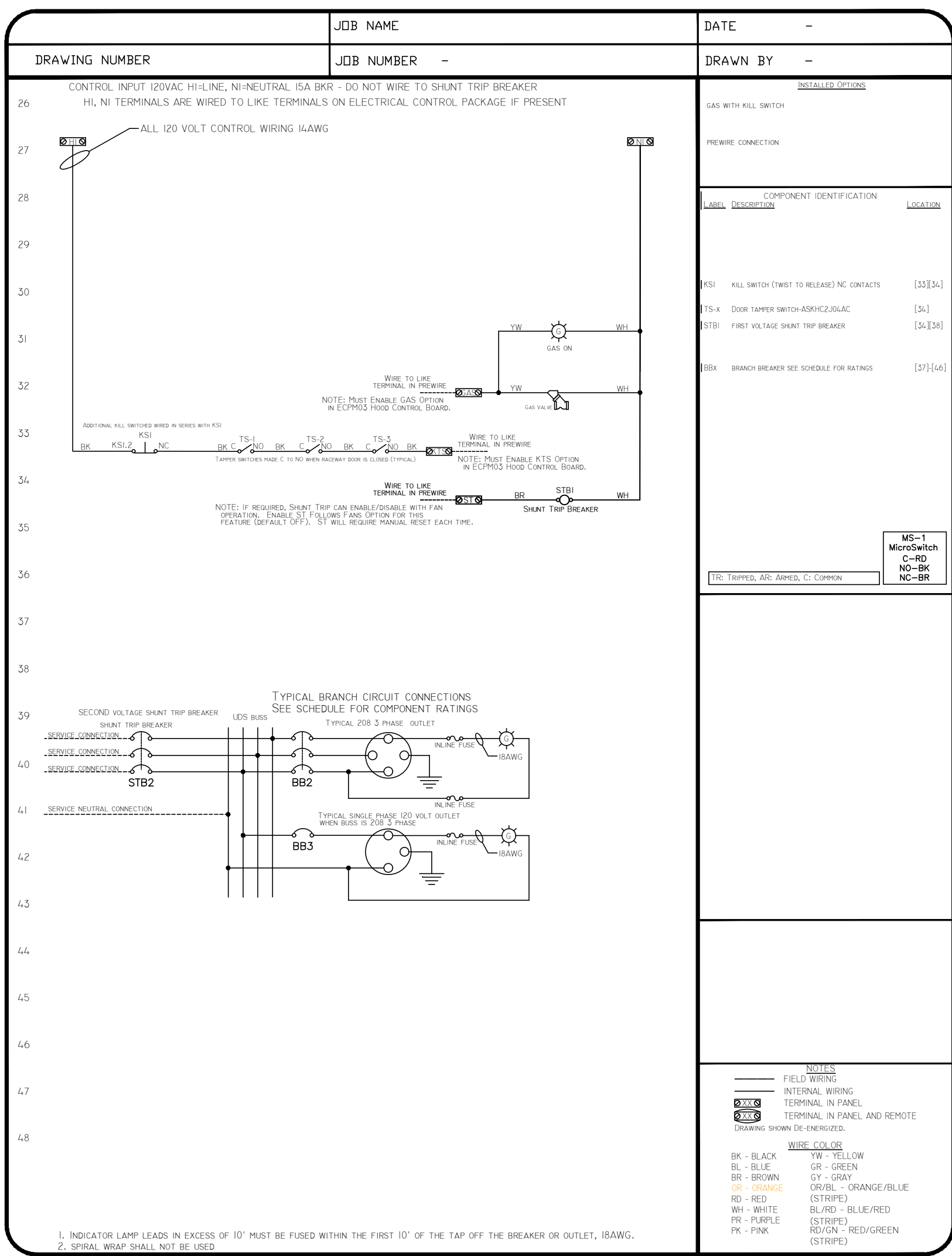
- ALL UTILITIES FOR UNSPECIFIED EQUIPMENT ARE TO BE INSPECTED AND APPROVED BY CUSTOMER PRIOR TO ORDERING, C.A.S. CANNOT BE HELD ACCOUNTABLE FOR IMPROPER UTILITIES OF EQUIPMENT IF IT IS NOT SPECIFIED

UTILITY DISTRIBUTION SYSTEM FILTER INFORMATION										
EQUIPMENT					FILTER					
CONN. #	ITEM	DESCRIPTION	MANUFACTURER	MODEL #	EQUIPMENT FLOW RATE (GPM)	MANUFACTURER	MODEL #	FILTER FLOW RATE (GPM)	CONNECTION TYPE	
								INLET	OUTLET	
SC1	E15	COMBI. OVEN	BLODGETT	BLCP102	-	EVERPURE	EV-9797-40	5	3/4"	3/4"



TYPICAL SECTION VIEW MODEL UDI DISTRIBUTION SYSTEM

PRODUCT DESCRIPTION	
UDS STYLE	ISLAND
HOOD HEIGHT	80"
RISER HEIGHT	78"-81"
TRIM COLLAR SIZE	3"
RACEWAY TO FLOOR	24"
UDS WIDTH	12"
TOP OF RACEWAY FROM FLOOR	53.88"
OUTLET LOCATION	UNDERNEATH
OUTLET HEIGHT (IF APPLICABLE)	NA
PLUMBING HEIGHT	22"



JOB	JCI PRIMARY SCHOOL ADDITION
LOCATION	-
DATE	6/4/24
DRAWN BY	DDH
REV.	-
JOB #	-
CHECKED BY	BET
SCALE	3/4"