

Model: TBD
Category: Allowance
Subcategory: Equipment, Janitorial
Manufacturer: TBD
Catalog #: LFKS3000

Atta 3 ID: ALL-6F7D8

General Production Detail

Arch Sig: No	Spatial Sig: No
Arch Code: Unassigned	ADA: No
Critical Path: No	Antimicrobial: No
Type: Non-Medical	Green: No
Furnish Install: Owner / Owner	

Electrical Requirements

Volts:	Watts: N/A
Hz: N/A	Amps: N/A
KVA:	Circuit: No
UPS: N/A	Plug Type: N/A
Emerg. Power: No	Plug Detail:
Other Volts Avail.: No	Electrical Phase: N/A
BTU/hr: N/A	
Electrical notes:	

Physical Requirements

Width (in.):	Left (in.): N/A
Depth (in.):	Right (in.): N/A
Height (in.):	Front (in.): N/A
Product Weight (lbs):	Back (in.): N/A
Max Operating Weight (lbs):	Top (in.): N/A
Mounting: N/A	Bottom (in.): N/A
Specification notes:	

Utility Requirements

Water - Cold: No	Gas Type:
Water - Hot: No	Gas Location:
Water - Treated: No	Medical Gas: No
Drain: No	Vent Type:
Drain Location:	Heat Dissipation: N/A
Steam: No	Dissipation Type: Actual
Vacuum - Den. / Med.: No/No	
Plumbing notes:	
Mechanical notes:	

Structural Requirements

Seismic: No	OPA #:
	Pre-Approval:
Structural notes:	

Technology Requirements

Patient Data: No	Network:
Connection Type: N/A	System:
Technical Connection notes:	

Locations

Level	Arch Dept	Room	Room #	Status	Item Qty	Ext Total Config
Level 7	Family Waiting	EVS	7606	New	6	\$918.18

Total: 6

Atta 3 ID: ALL-D43CB

Model:
Category: Allowance
Subcategory: Furniture
Manufacturer:
Catalog #:

General Production Detail

Arch Sig: No	Spatial Sig: No
Arch Code: 05-Furniture	ADA: No
Critical Path: No	Antimicrobial: No
Type: Non-Medical	Green: No
Furnish Install: Owner / Vendor	

Electrical Requirements

Volts:	Watts: N/A
Hz: N/A	Amps: N/A
KVA:	Circuit: No
UPS: N/A	Plug Type: N/A
Emerg. Power: No	Plug Detail:
Other Volts Avail.: No	Electrical Phase:
BTU/hr: N/A	
Electrical notes:	

Physical Requirements

Width (in.):	Left (in.): N/A
Depth (in.):	Right (in.): N/A
Height (in.):	Front (in.): N/A
Product Weight (lbs):	Back (in.): N/A
Max Operating Weight (lbs):	Top (in.): N/A
Mounting:	Bottom (in.): N/A
Specification notes:	

Utility Requirements

Water - Cold: No	Gas Type:
Water - Hot: No	Gas Location:
Water - Treated: No	Medical Gas: No
Drain: No	Vent Type:
Drain Location:	Heat Dissipation: N/A
Steam: No	Dissipation Type:
Vacuum - Den. / Med.: No/No	
Plumbing notes:	
Mechanical notes:	

Structural Requirements

Seismic: No	OPA #:
	Pre-Approval:
Structural notes:	

Technology Requirements

Patient Data: No	Network:
Connection Type: N/A	System:
Technical Connection notes:	

Locations

Level	Arch Dept	Room	Room #	Status	Item Qty	Ext Total Config
Level 7	Costs	Furniture	--	New	1	\$480,05 7.04
Level 7	Family Waiting	Consult/Bereavement	7503	New	1	--

Total: 2



Model: i-STAT 1 Wireless Analyzer, 5GHz (US) 03P75-07
Category: Analyzer, Lab
Subcategory: Blood Gas, Point-of-Care
Manufacturer: Abbott Point of Care Inc
Catalog #: 03P75-07

Atta 3 ID: ANA-5DC6D

Point-of-care blood gas lab analyzer. Features: 5GHz (US). Handheld blood gas analyzer with wireless data transmission to EMR. Utilizes self-contained test cartridges for testing Blood Gases, Electrolytes, Chemistries, Coagulation, Hematology, Glucose, and Cardiac Markers (cTnl). Multiple transmission options. Integrates with existing POC data managers, major LIS vendors, electronic medical records. Compatible with 802.11 b/g networks. Requires Downloader or Downloader/Recharger. Printer kit optional.

General Production Detail

Arch Sig: No	Spatial Sig: No
Arch Code: 02-Movable Electrical	ADA: No
Critical Path: No	Antimicrobial: No
Type: Medical	Green: No
Furnish Install: Owner / Owner	

Physical Requirements

Width (in.): 3.0350	Left (in.): N/A
Depth (in.): 9.2450	Right (in.): N/A
Height (in.): 2.8500	Front (in.): N/A
Product Weight (lbs):	Back (in.): N/A
Max Operating Weight (lbs):	Top (in.): N/A
Mounting: Counter/Cart/Table/Pole	Bottom (in.): N/A
Specification notes:	

Structural Requirements

Seismic: No	OPA #:
	Pre-Approval:
Structural notes:	

Technology Requirements

Patient Data: No	Network:
Connection Type: N/A	System:
Technical Connection notes:	

Electrical Requirements

Volts:	Watts: N/A
Hz: N/A	Amps: N/A
KVA:	Circuit: No
UPS: N/A	Plug Type: N/A
Emerg. Power: No	Plug Detail:
Other Volts Avail.: No	Electrical Phase: N/A
BTU/hr: N/A	
Electrical notes:	

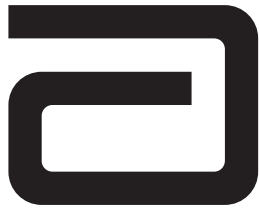
Utility Requirements

Water - Cold: No	Gas Type:
Water - Hot: No	Gas Location:
Water - Treated: No	Medical Gas: No
Drain: No	Vent Type:
Drain Location:	Heat Dissipation: N/A
Steam: No	Dissipation Type: Actual
Vacuum - Den. / Med.: No/No	
Plumbing notes:	
Mechanical notes:	

Locations

Level	Arch Dept	Room	Room #	Status	Item Qty	Ext Total Config
Level 7	Respiratory Therapy	RT Clean Storage	7719	New	4	\$29,550 .72

Total: 4



i-STAT[®] TECHNICAL BULLETIN

i-STAT[®] 1 Wireless Analyzer Specifications

OVERVIEW

The following i-STAT 1 Wireless Analyzer specifications supplement the i-STAT 1 Analyzer specifications found in Section 2 of the i-STAT 1 System Manual. The i-STAT 1 Wireless Analyzer shares all operational specifications with the i-STAT 1 Analyzer with the exception of the following:

1. The i-STAT 1 Wireless Analyzer can communicate with a Data Manager using an existing 802.11b/g Wireless LAN.
2. The i-STAT 1 Wireless Analyzer does not have the capability to run glucose test strips.
3. An approximate 30% reduction in the lifetime of battery charge due to the use of wireless downloads is expected. See Section 2 of the i-STAT 1 System Manual for additional battery charge lifetime information.

The following table shows a comparison of the communication capabilities of the i-STAT 1 Analyzer and the i-STAT 1 Wireless Analyzer.

Communication Capabilities Comparison Table for i-STAT 1 Analyzer Variants

Communication Process	i-STAT 1 Analyzer	i-STAT 1 Wireless Analyzer	
Downloading Results to the Data Manager via a Downloader or a Downloader/Recharger	YES	YES	All i-STAT 1 communication peripherals are compatible
Downloading Results to the Data Manager via 802.11b/g Wi-Fi	NO	YES	The analyzer utilizes existing facility 802.11b/g Wi-Fi access points
Downloading customization settings, operator lists, STATNotes information, etc., via 802.11b/g Wi-Fi	NO	YES	Customization settings will be downloaded via 802.11b/g Wi-Fi access points
Updating Handheld Software via a Downloader or Downloader/Recharger	YES	YES	
Updating Handheld Software via 802.11b/g Wi-Fi	NO	NO	Users are required to have a Downloader or a Downloader/Recharger for bi-annual software updates



For instructions on configuring an i-STAT 1 Wireless Analyzer, see the Technical Bulletin “Configuring Wireless Settings in an i-STAT® 1 Wireless Analyzer” (Art: 726066-00).

For procedures on using the i-STAT 1 Wireless Analyzer, see the Technical Bulletin “Procedure for Using the i-STAT® 1 Wireless Analyzer” (Art: 726025-00).

For information on which Wireless Module your analyzer contains, see Appendix 1 of either the Technical Bulletin “Configuring Wireless Settings in an i-STAT® 1 Wireless Analyzer” (Art: 726066-00) or the “i-STAT® 1 Wireless User Guide” (Art: 726064-00).

If you have any questions regarding the information in this Technical Bulletin, please contact Abbott Point of Care Technical Support at 800-366-8020, option 1, or by e-mail at techsvc@apoc.abbott.com.

BEFORE YOU USE THE i-STAT 1 WIRELESS ANALYZER

To utilize the wireless functionality of the i-STAT 1 Wireless Analyzer, an existing 802.11b/g Wireless Network must exist at your facility.

Note 1: Users must follow site-specific guidelines for operating wireless devices.

The Wireless Specifications presented below should be used to determine if the i-STAT 1 Wireless Analyzer is compatible with your existing 802.11b/g Wireless LAN infrastructure.

Note 2: Users must ensure that there is sufficient Wi-Fi coverage in the area(s) where results will be transmitted.

WIRELESS SPECIFICATIONS

**For Analyzers containing Wireless Module FCC ID: PI405W
(Firmware: 6.5.X.X/X.X, where X is ≥ one digit)**

WIRELESS STANDARDS SUPPORTED	IEEE 802.11b, IEEE 802.11g
RADIO FREQUENCY UTILIZED	2.412-2.484 GHz
MAX RF TRANSMIT POWER	802.11b: +17 dBm 802.11g: +15 dBm
RF RECEIVE SENSITIVITY	-65 dBm
RF ANTENNA	Internal high performance +2dB multi-layer ceramic
DATA TRANSFER RATES	54 Mbps – 1 Mbps with automatic fallback
CONNECTION MODES	Wireless LAN infrastructure and ad hoc (used for configuration of wireless LAN security settings)
WIRELESS SECURITY SUPPORTED	WEP 64 & 128 Bit WPA1/WPA2 (TKIP/AES) Pre-Shared Key & Enterprise EAP-TLS EAP-TTLS/MSCHAPv2 PEAPv0/EAP-MSCHAPv2
FCC IDENTIFIER	Modular Approval FCC ID# PI405W
BATTERY LIFE	An approximate 30% reduction in the life of the battery (in terms of cartridge usage) due to the use of the wireless downloads is expected. Note: this 30% reduction is an approximation based upon a use model of transmitting results wirelessly following each cartridge run. See Section 2 of the i-STAT System Manual (i-STAT 1 Analyzer) for additional battery lifetime information.
RADIO COMPLIANCE	MODULAR APPROVAL Contains FCC ID: PI405W

SAFETY COMPLIANCE	Standard for the Safety of Electrical Equipment for Measurement, Control, and Laboratory Use – IEC 61010-1: 2nd. Ed.
RF EXPOSURE COMPLIANCE	FCC OET-65C (Ed 01-01)
LASER COMPLIANCE	Complies with the U.S. 21 CFR 1040.10 and 1040.11 except for deviations pursuant to laser Notice No. 50, dated July 26, 2001. EN 60825-1:1994 + A1:2002 + A2:2001 IEC 60825-1:1993 + A1:1997 + A2:2001
EMC COMPLIANCE	FCC Part 15 Subpart B Class A

FCC Compliance Statement:

This device complies with part 15 of the FCC Rules. Operation is subject to the following two conditions: (1) This device may not cause harmful interference, and (2) this device must accept any interference received, including interference that may cause undesired operation.

Warning: Changes or modifications not expressly approved by the manufacturer could void the user’s authority to operate the equipment.

**For Analyzers containing Wireless Module FCC ID: YOPGS1500M
(Firmware: GEXPSX.X.X/MCUX.X)**

WIRELESS STANDARDS SUPPORTED	IEEE 802.11b, IEEE 802.11g
RADIO FREQUENCY UTILIZED	2.412-2.484 GHz
MAX RF TRANSMIT POWER	802.11b, 11Mbps: +14 dBm 802.11g, 54 Mbps: +12 dBm
RF RECEIVE SENSITIVITY	802.11b, 11Mbps: -88dBm 802.11g, 54Mbps: -75dBm
RF ANTENNA	PCB Trace Antenna
DATA TRANSFER RATES	802.11b (CCK): 1, 2, 5.5, 11 Mbps 802.11g (OFDM): 6, 9, 12, 18, 24, 36, 48, 54 Mbps
CONNECTION MODES	Wireless LAN infrastructure and ad hoc (used for configuration of wireless LAN security settings)
WIRELESS SECURITY SUPPORTED	WEP 64 & 128 BIT WPA1/WPA2 (TKIP/AES) Pre-Shared Key & Enterprise EAP-TLS EAP-TTLS/MSCHAPv2 PEAPv0/EAP-MSCHAPv2
FCC IDENTIFIER	Modular Approval FCC ID# YOPGS1500M
BATTERY LIFE	An approximate 30% reduction in the life of the battery (in terms of cartridge usage) due to the use of the wireless downloads is expected. Note: this 30% reduction is an approximation based upon a use model of transmitting results wirelessly following each cartridge run. See Section 2 of the i-STAT System Manual (i-STAT 1 Analyzer) for additional battery lifetime information.
RADIO COMPLIANCE	MODULAR APPROVAL Contains FCC ID: YOPGS1500M

SAFETY COMPLIANCE	Standard for the Safety of Electrical Equipment for Measurement, Control, and Laboratory Use – IEC 61010-1: 3rd. Ed.
RF EXPOSURE COMPLIANCE	FCC OET-65C (Ed 01-01)
LASER COMPLIANCE	Complies with U.S. 21 CFR 1040.10 and 1040.11 except for deviations pursuant to laser Notice No. 50, dated July 26, 2001. EN 60825-1:1994 + A1:2002 + A2:2001 IEC 60825-1:1993 + A1:1997 + A2:2001
EMC COMPLIANCE	FCC Part 15 Subpart B Class A

FCC Compliance Statement:

This device complies with part 15 of the FCC Rules. Operation is subject to the following two conditions: (1) This device may not cause harmful interference, and (2) this device must accept any interference received, including interference that may cause undesired operation.

Warning: Changes or modifications not expressly approved by the manufacturer could void the user’s authority to operate the equipment.

IMPORTANT NOTE: To comply with FCC & IC RF exposure compliance requirements, the antenna used for this transmitter must be installed to provide a separation distance of at least 20 cm from all persons and must not be co-located or operating in conjunction with any other antenna or transmitter.

License Applicable to Bcrypt Library
Copyright (c) 2002 Johnny Shelley. All rights reserved.

Redistribution and use in source and binary forms, with or without modification, are permitted provided that the following conditions are met:

1. Redistributions of source code must retain the above copyright notice, this list of conditions and the disclaimer below.
2. Redistributions in binary form must reproduce the above copyright notice, this list of conditions and the disclaimer below in the documentation and/or other materials provided with the distribution.
3. Neither the name of the author nor any contributors may be used to endorse or promote products derived from this software without specific prior written permission.

DISCLAIMER

THIS SOFTWARE IS PROVIDED BY COPYRIGHT HOLDERS AND CONTRIBUTORS “AS IS” AND ANY EXPRESSED OR IMPLIED WARRANTIES, INCLUDING, BUT NOT LIMITED TO, THE IMPLIED WARRANTIES OF MERCHANTABILITY AND FITNESS FOR A PARTICULAR PURPOSE ARE DISCLAIMED. IN NO EVENT SHALL THE AUTHOR BE LIABLE FOR ANY DIRECT, INDIRECT, INCIDENTAL, SPECIAL, EXEMPLARY, OR CONSEQUENTIAL DAMAGES (INCLUDING, BUT NOT LIMITED TO, PROCUREMENT OF SUBSTITUTE GOODS OR SERVICES; LOSS OF USE, DATA, OR PROFITS; OR BUSINESS INTERRUPTION) HOWEVER CAUSED AND ON ANY THEORY OF LIABILITY, WHETHER IN CONTRACT, STRICT LIABILITY, OR TORT (INCLUDING NEGLIGENCE OR OTHERWISE) ARISING IN ANY WAY OUT OF THE USE OF THIS SOFTWARE, EVEN IF ADVISED OF THE POSSIBILITY OF SUCH DAMAGE.

i-STAT is a registered trademark of the Abbott Group of Companies in various jurisdictions.

DESCRIPTION

Specifications



DIMENSIONS	Width 7.68 cm (3.035 in.) Length 23.48 cm (9.245 in.) Depth 7.24 cm (2.85 in.)
WEIGHT	With rechargeable battery 650 grams (22.9 oz.) With disposable battery 635 grams (22.4 oz.)
POWER	Two 9-volt lithium batteries, or rechargeable battery.
CALIBRATION	Factory: electronic, mechanical, thermal, pressure
MEMORY/CLOCK BACKUP POWER	Lithium Battery
DISPLAY	Dot matrix supertwist liquid crystal
COMMUNICATION LINK	Infrared light-emitting diode (LED)
OPERATING TEMPERATURE	16-30°C (61-86°F) for i-STAT cartridge testing
TRANSPORT TEMPERATURE	-10-46°C (14-115°F)
RELATIVE HUMIDITY	90% (maximum) non-condensing
BAROMETRIC PRESSURE	300-850 mmHg
LASER SCANNER	Complies with U.S. 21 CFR 1040.10 and 1040.11 except for deviations pursuant to laser Notice No. 50, dated July 26, 2001. EN 60825-1:1994 + A1:2002 + A2:2001 IEC 60825-1:1993 + A1:1997 + A2:2001

Software

All analyzer functions are controlled by application software that can be updated as additional tests and features are developed. Coefficients used to maintain the accuracy of cartridge results over time are programmed into the analyzer via CLEW software updates every six months. See under “Standardization and Calibration” in section 3 of this manual for an explanation of CLEW.

Power

There are two power options for the analyzer: disposable and rechargeable. The analyzer is shipped with two disposable 9-volt lithium batteries and a battery carrier. Lithium batteries may be ordered from i-STAT or obtained locally. ULTRALIFE® lithium batteries (ULTRALIFE Batteries, Inc., Newark, NY, USA) are recommended. Only i-STAT rechargeable batteries may be used.

Battery Compartment

The battery compartment is located at the display end of the analyzer next to the laser barcode scanner window. The procedure for changing disposable and rechargeable batteries can be found in the Routine Care of the Analyzer and Downloader section of this manual.

Disposable Batteries The analyzer requires two 9-volt lithium batteries. The lifetime for a set of batteries is mainly dependent on the mix of cartridges in use. Cartridges that require thermal control consume more energy because of heating. Coagulation and immunoassay cartridges consume more energy because of the longer test cycle. A minimum of 400 thermally controlled cartridge uses, about 100 coagulation cartridges, or 50 immunoassay cartridges can be expected before replacement is necessary. Backlighting, if used continuously, may reduce battery life up to 50%. Extensive laser scanning will affect battery life slightly.

The lithium batteries should be removed from the analyzer when long periods, such as six months, of no use are anticipated.

Rechargeable Battery The analyzer can be powered by a nickel-metal-hydride rechargeable battery. The battery capacity for one full charge is 30% (minimum) of the capacity of one set of disposable lithium batteries (see above). If the analyzer is not in use, batteries will lose approximately 10-30% of their charge over 30 days if not recharged.

Store rechargeable batteries in a cool dry place when not in use.

The battery recharges when the analyzer is placed in a Downloader/Recharger. The battery pack can be removed from the analyzer and placed in the separate recharging compartment on the Downloader/Recharger. Full recharge from a discharged state takes approximately 40 hours. The analyzer will display “Low Battery” when battery recharge is needed.

Caution: Do not short circuit, incinerate or mutilate the rechargeable batteries.

Low Battery Warning The analyzer will display “Low Battery” when the On/Off key is pressed. Additionally, a flashing battery icon will display on the results screens, as well as the Test Menu and Administration Menu screens when battery replacement is needed. Data is not lost when batteries are fully discharged.



Model: StatStrip Glucose Hospital Meter w/Docking Station **Atta 3 ID:** ANA-B1693
Category: Analyzer, Lab
Subcategory: Glucose, Point-of-Care
Manufacturer: Nova Biomedical
Catalog #: 53398/53400

Point-of-care glucose lab analyzer. Features: With built-in 1D/2D barcode reader. Stores 1,000 patient tests. Color touch screen, RJ-45 Ethernet port. POCT1-A Compliant. Abnormal and critical ranges flagged, correlation mode, slope and intercept adjustment. Configured with Single Docking Station (53400).

General Production Detail

Arch Sig: No	Spatial Sig: No
Arch Code: 02-Movable Electrical	ADA: No
Critical Path: No	Antimicrobial: No
Type: Medical	Green: No
Furnish Install: Owner / Owner	

Physical Requirements

Width (in.): 4.5000	Left (in.): N/A
Depth (in.): 3.7500	Right (in.): N/A
Height (in.): 7.5000	Front (in.): N/A
Product Weight (lbs): 2.0000	Back (in.): N/A
Max Operating Weight (lbs):	Top (in.): N/A
Mounting: Counter/Cart/Table/Pole	Bottom (in.): N/A
Specification notes:	

Structural Requirements

Seismic: No	OPA #:
	Pre-Approval:
Structural notes:	

Technology Requirements

Patient Data: No	Network:
Connection Type: Data	System:
Technical Connection notes:	

Electrical Requirements

Volts: 110	Watts: 66.0000
Hz: 60	Amps: 0.6000
KVA:	Circuit: No
UPS: N/A	Plug Type: Type B (Nema 5-15)
Emerg. Power: No	Plug Detail:
Other Volts Avail.: No	Electrical Phase: Single Phase
BTU/hr: N/A	
Electrical notes:	

Utility Requirements

Water - Cold: No	Gas Type:
Water - Hot: No	Gas Location:
Water - Treated: No	Medical Gas: No
Drain: No	Vent Type:
Drain Location:	Heat Dissipation: N/A
Steam: No	Dissipation Type: Actual
Vacuum - Den. / Med.: No/No	
Plumbing notes:	
Mechanical notes:	

Locations

Level	Arch Dept	Room	Room #	Status	Item Qty	Ext Total Config
Level 7	Progressive Care	Nurse Station	7711, 7812	New	1	\$3,000.00
Level 7	Critical Care	Viewing Alcove	714.3, 716.3, 718.2, 720.2, 722.2, 724.2, 725.2, 727.2, 728.2, 730.2, 731.2, 733.2	New	1	\$18,000.00

Total: 14

StatStrip Glucose Hospital Meter

- The green left light is on if the station is connected to the network.
- The green middle light is on if data is transferring.
- The right light is green for fully charged or amber for charging.

Charging Light for Spare Battery

Green light on when connected to the network (Ethernet)

Green light on when data is flowing



The Ethernet <...> connection is at the back of the station

Charging Light:
Amber = Charging
Green = Fully Charged

Figure 4.1 The Meter in the Docking/Charging Station

A Appendix

Appendix A includes analyzer specifications, solutions and reagents, consumable lists, reference information, and warranty for the StatStrip Glucose Hospital Meter.

A.1 StatStrip Glucose Hospital Meter Specifications

Measurement Range:	Glu 10-600 mg/dL or 0.6-33.3 mmol/L
Acceptable Samples:	Whole Blood: Capillary, Venous, Arterial, and Neonate
Measuring Technology:	Enzyme, Amperometric Glucose Enzyme (Aspergillus sp., >1.0 IU)
Analysis Time:	6 seconds
Sample Volume:	1.2 μ L
Meter Memory:	1000 patient tests 200 QC tests 4000 Operators
Docking/Charging Station:	Desk mount Input 100-240 V \sim , 50-60 Hz, 0.6 A Output +12 V \equiv , 0.85 A
Data Output Port:	RJ-45 Ethernet (100 Mbit)
Connectivity:	Protocol TCP/IP Ethernet Standard POCT1-A Compliant
Battery:	Rechargeable Li-polymer 3.7V 1800 mAh
Electrical Compliance:	Conforms to UL and CSA Standards: IEC61010-1:2001 and IEC61010-2-101:2002
Dimensions:	146 mm (5.8 in) x 79 mm (3.1 in) x 30 mm (1.18 in)
Weight:	220 grams (0.49 lb)
Power:	3.7V Li Polymer battery (Rechargeable/Replaceable)

StatStrip Glucose Hospital Meter

A.4 Reference Values

Each laboratory should establish and maintain its own reference values. The values given here should be used **only as a guide**.

Table A.1 Reference Values Serum and Plasma

Test	Value
Glucose ^f	60 - 100 mg/dL (Child) (3.33 - 5.55 mmol/L)
	70 - 105 mg/dL (Adult) (3.89 - 5.83 mmol/L)

References:

1. Burtis, Carl A. and Ashwood, Edward R., ed. 1999. *Tietz Textbook of Clinical Chemistry*. Philadelphia, PA: W. B. Saunders Co.

A.5 Ordering Information

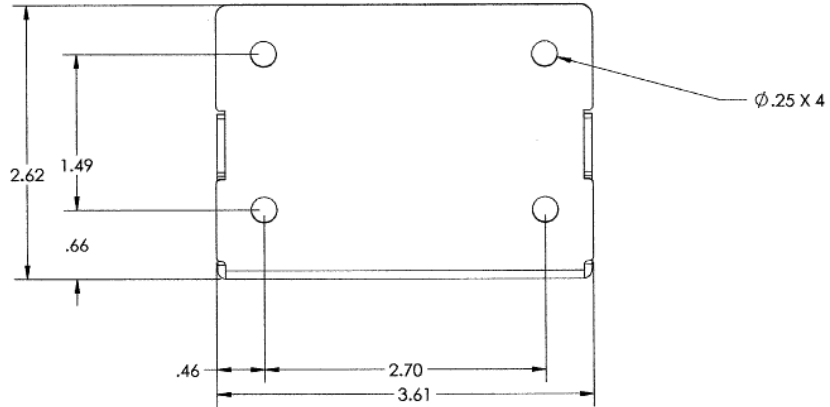
Supplies and parts for the StatStrip Glucose Hospital Meter are available from Nova Biomedical.

DESCRIPTION	Part #
Battery for StatStrip Meter, 4-Pack	46827
Battery for StatStrip Meter, 5-Pack	50436
Carrying Case for Meter & Supplies	53425
Docking Station (Single) with AC Adapter	53400
Docking Station (2-position) with AC Adapter	53401
Docking Station (4-position) with AC Adapter	53402
Instructions for use manual, printed	53083
Instructions for use manual, CD	53471
Quick Reference Guide	53089
Safety Lancets, 28-Gauge, 100 per box	41224
StatStrip Glucose Control Solution, Level 1, 1 vial	41741
StatStrip Glucose Control Solution, Level 2, 1 vial	41742
StatStrip Glucose Control Solution, Level 3, 1 vial	41743
StatStrip Glucose Linearity Kit, 5 Levels, 1 vial of each level	42173
StatStrip Glucose Test Strips, 1800 test strips, 36 vials, 50 per vial	42214

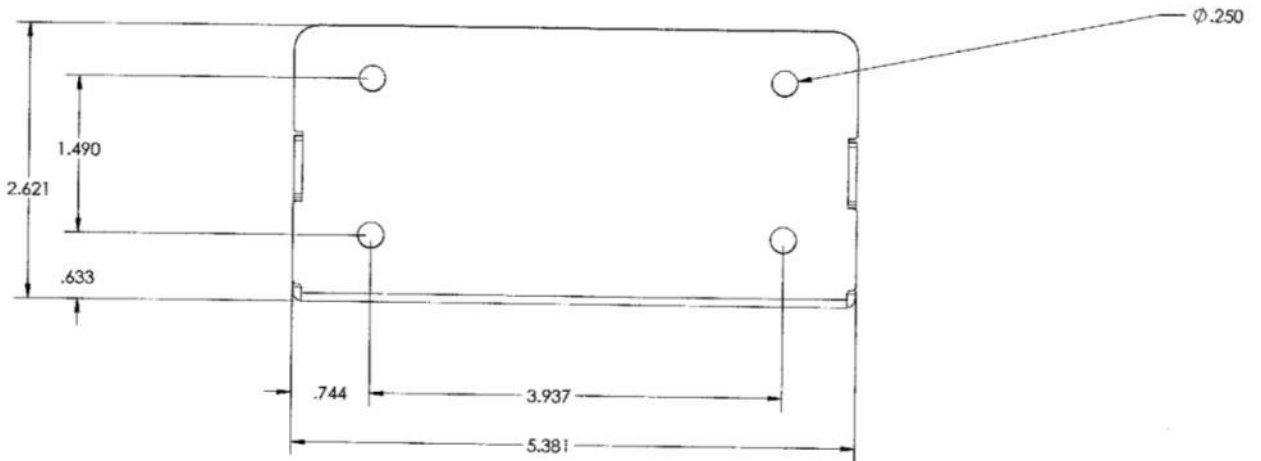
V1.75/1.86 Meter Wall Mounting Templates

Wall plates/brackets are optional

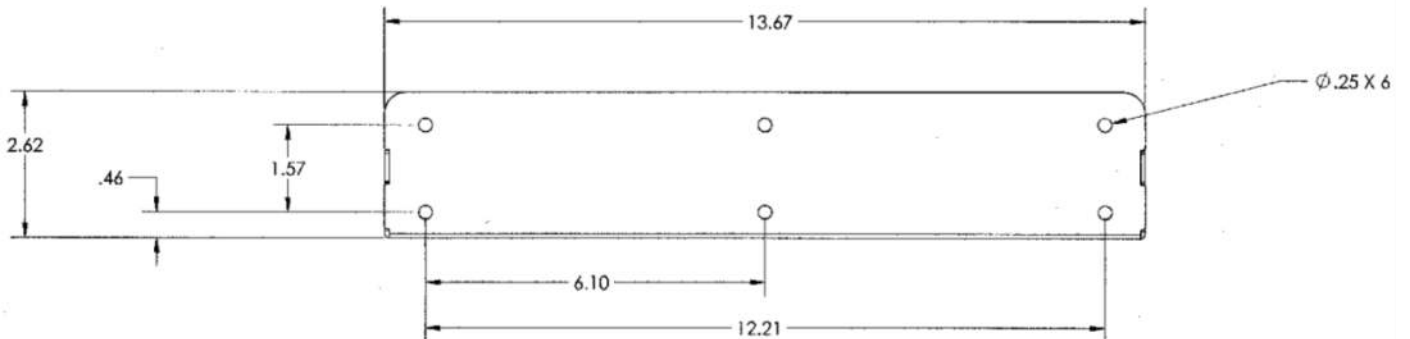
Single Dock Wall Mount



Dual Dock Wall Mount



Quad Dock Wall Mount



Atta 3 ID: ASP-AFB3E



Model: 405 Disposable Canister
Category: Pump, Suction/Aspirator
Subcategory: General, Portable
Manufacturer: Allied Healthcare Products
Catalog #: 01-12-4005

Portable general suction/aspirator pump. Features: With 1500 ml disposable collection bottle. -80 to -635 Hg vacuum range, 40 lpm flow rate. Includes gauge and suction regulating valve, bacteria filter.

General Production Detail

Arch Sig: No	Spatial Sig: No
Arch Code: 02-Movable Electrical	ADA: No
Critical Path: No	Antimicrobial: No
Type: Medical	Green: No
Furnish Install: Owner / Owner	

Physical Requirements

Width (in.): 12.5000	Left (in.): N/A
Depth (in.): 10.0000	Right (in.): N/A
Height (in.): 9.5000	Front (in.): N/A
Product Weight (lbs): 15.0000	Back (in.): N/A
Max Operating Weight (lbs):	Top (in.): N/A
Mounting: Counter/Cart/Table/Pole	Bottom (in.): N/A
Specification notes:	

Structural Requirements

Seismic: No	OPA #:
	Pre-Approval:
Structural notes:	

Technology Requirements

Patient Data: No	Network:
Connection Type: N/A	System:
Technical Connection notes:	

Electrical Requirements

Volts: 115	Watts: 460.0000
Hz: 60	Amps: 4.0000
KVA:	Circuit: No
UPS: N/A	Plug Type: Type B (Nema 5-15)
Emerg. Power: No	Plug Detail:
Other Volts Avail.: Yes	Electrical Phase: Single Phase
BTU/hr: N/A	
Electrical notes:	

Utility Requirements

Water - Cold: No	Gas Type:
Water - Hot: No	Gas Location:
Water - Treated: No	Medical Gas: No
Drain: No	Vent Type:
Drain Location:	Heat Dissipation: N/A
Steam: No	Dissipation Type: Actual
Vacuum - Den. / Med.: No/No	
Plumbing notes:	
Mechanical notes:	

Locations

Level	Arch Dept	Room	Room #	Status	Item Qty	Ext Total Config
Level 7	Patient Care Support	Equipment Alcove	7516, 7713, 7819	New	1	\$3,515.43

Total: 3

Gomco® 405 Aspirator



Model 01-12-4005 comes with one 1500 ml disposable canister, suction tubing, and 3 filters

The Gomco AC Model 405 is a high-performance general use tabletop aspirator for use in hospitals, clinics, physician's offices, nursing home facilities and home care. This durable unit meets the need for controlled vacuum regulation up to 635 mm Hg of vacuum with a flow rate of 40 lpm at open flow. The aspirator has a high-impact plastic housing and powerful rotary vane pump, reduced operating noise level, and weighs less than 15 pounds. Each unit comes with either a 1500 ml disposable canister or a 1200 ml reusable glass bottle, a suction tubing kit, and three hydrophobic bacteria filters.

Standard Features

- Powerful rotary vane pump excels at pharyngeal and nasopharyngeal procedures
- Compact ... the 405 takes up less than one square foot of space
- Self-contained unit provides protection against pump and gauge contamination, and allows for easy clean-up
- Low maintenance requirements
- Durable high-impact plastic case
- Disposable hydrophobic bacteria filter eliminates pump flooding and helps prevent fluid and aerosol contamination



Gomco® 405 Aspirator



01-90-3100



S610100



20-08-0003



01-90-3489

Model 01-12-0405 comes with one 1200 ml glass collection bottle, suction tubing, and 3 filters

SPECIFICATIONS

	01-12 Models	01-23 Model
Vacuum Range:	-80 to -635 mm Hg	-25 to -555 mm Hg
Flow Rate:	40 lpm at open flow	25 lpm at open flow
Sound Level:	Less than 54 dBA	
Dimensions:	12.5" W x 10" D x 9.5" H (31.75 x 25.4 x 24.13 cm)	
Weight:	14.5 lbs. (7 kg)	
UL/ETL Listed:	Yes	
Warranty:	1 year	
Regulatory Approvals:	FDA, CE, HC	

ORDERING INFORMATION

01-12-0405	Aspirator, 1200 ml glass bottle, suction tubing kit, 3 filters, 115V/60 Hz
01-12-4005	Aspirator, 1500 ml disposable canister, suction tubing kit, 3 filters, 115V/60 Hz
01-23-0405	Aspirator, 1200 ml glass bottle, suction tubing kit, 3 filters, 230V/50-60 Hz

ACCESSORIES

20-08-0003	Disposable Collection Canister, 1500 ml, stem inlet (48/case)
20-08-0016	Disposable Collection Canister, 1500 ml, stem inlet (16/case)
01-90-3489	Glass Collection Bottle, with metal cap & float assembly, 1200 ml
01-90-3497	Glass Collection Bottle (bottle only), 1200 ml (6/case)
01-90-3487	Metal Cap & Float Assembly for 1200 ml glass bottle
01-90-3100	Disposable Hydrophobic Bacteria Filter, 1/8" NPT x 1/4" hose barb (3/pkg.)
S610100	Disposable Suction Tubing Kit: 1 each 15" & 72", 1/4" ID, blue-tipped, clear PVC



Allied Healthcare Products, Inc. ▪ 1720 Sublette Avenue ▪ St. Louis, MO 63110 USA
314/771-2400 ▪ 800/444-3954 ▪ FAX: 314/771-0650 ▪ www.alliedhpi.com

U.S.
Toll Free: 800/444-3940
FAX: 800/477-7701

Canada & Mexico
Toll Free: 800/446-0552
FAX: 800/246-6201

International
Telephone: 314/268-1683
FAX: 314/771-5183

ISO 13485: 2003

Generated 12/12/2024 19:02 UTC
PLAN-IT | PROJECT Powered by Attainia, Inc.

©Allied Healthcare Products, Inc.®

All specifications are nominal and subject to change without notice.

Form 21-00-0004
January 2014



Model:Progressa+ ICU Bed
Category: Bed
Subcategory: Electric, Critical Care
Manufacturer:Baxter - Hillrom, Bed & Stretcher Group
Catalog #: PRL

Atta 3 ID: BED-305EF

General Production Detail

Arch Sig: No	Spatial Sig: No
Arch Code: 02-Movable Electrical	ADA:
Critical Path: No	Antimicrobial:
Type: Medical	Green:
Furnish Install: Unassigned / Unassigned	

Physical Requirements

Width (in.):	Left (in.): N/A
Depth (in.):	Right (in.): N/A
Height (in.):	Front (in.): N/A
Product Weight (lbs):	Back (in.): N/A
Max Operating Weight (lbs):	Top (in.): N/A
Mounting:	Bottom (in.): N/A
Specification notes:	

Structural Requirements

Seismic:	OPA #:
	Pre-Approval:
Structural notes:	

Technology Requirements

Patient Data: N/A	Network: N/A
Connection Type: N/A	System: N/A
Technical Connection notes:	

Electrical Requirements

Volts: N/A	Watts: N/A
Hz: N/A	Amps: N/A
KVA:	Circuit:
UPS: N/A	Plug Type:
Emerg. Power: No	Plug Detail:
Other Volts Avail.:	Electrical Phase:
BTU/hr: N/A	
Electrical notes:	

Utility Requirements

Water - Cold:	Gas Type: N/A
Water - Hot:	Gas Location:
Water - Treated:	Medical Gas:
Drain:	Vent Type:
Drain Location:	Heat Dissipation: N/A
Steam:	Dissipation Type:
Vacuum - Den. / Med.: /	
Plumbing notes:	
Mechanical notes:	

Locations

Level	Arch Dept	Room	Room #	Status	Item Qty	Ext Total Config
Level 7	Progressive Care	Progressive Care	701, 702, 703, 704, 705, 706, 707, 708, 709, 710, 711, 712	New	1	\$447,53 8.80
Level 7	Critical Care	Critical Care	718, 719, 722, 723, 724, 725, 726, 727, 728, 729, 730, 731, 732, 733, 734	New	1	\$559,42 3.50
Level 7	Critical Care	Critical Care - Isolation	714, 715, 716, 717	New	1	\$149,17 9.60
Level 7	Critical Care	Critical Care - Patient of Size	720	New	1	\$37,294 .90



Model: Standard Front Load
Category: Bin
Subcategory: Shredding, Secure
Manufacturer: Shred-it, Inc.
Catalog #:

Atta 3 ID: BIN-5E9A0

Front loading console for containment of discarded, sensitive documents. Beveled slot and internal security plate, security lock. Provided free-of-charge with Shred-It service contract. Holds 39.54 gallons of paper. Also available as top loading.

General Production Detail

Arch Sig: No	Spatial Sig: No
Arch Code: 03-Movable Non-Electrical	ADA: No
Critical Path: No	Antimicrobial: No
Type: Non-Medical	Green: No
Furnish Install: Owner / Vendor	

Physical Requirements

Width (in.): 20.2500	Left (in.): N/A
Depth (in.): 19.5000	Right (in.): N/A
Height (in.): 36.0000	Front (in.): N/A
Product Weight (lbs): 45.0000	Back (in.): N/A
Max Operating Weight (lbs):	Top (in.): N/A
Mounting: Floor	Bottom (in.): N/A
Specification notes:	

Structural Requirements

Seismic: No	OPA #:
	Pre-Approval:
Structural notes:	

Technology Requirements

Patient Data: No	Network:
Connection Type: N/A	System:
Technical Connection notes:	

Electrical Requirements

Volts:	Watts: N/A
Hz: N/A	Amps: N/A
KVA:	Circuit: No
UPS: N/A	Plug Type: N/A
Emerg. Power: No	Plug Detail:
Other Volts Avail.: No	Electrical Phase: N/A
BTU/hr: N/A	
Electrical notes:	

Utility Requirements

Water - Cold: No	Gas Type:
Water - Hot: No	Gas Location:
Water - Treated: No	Medical Gas: No
Drain: No	Vent Type:
Drain Location:	Heat Dissipation: N/A
Steam: No	Dissipation Type: Actual
Vacuum - Den. / Med.: No/No	
Plumbing notes:	
Mechanical notes:	

Locations

Level	Arch Dept	Room	Room #	Status	Item Qty	Ext Total Config
Level 7	Progressive Care	Nurse Station	7711, 7812	New	1	---
Level 7	Critical Care	Nurse Station	7512, 7712, 7811, 7813, 7814	New	1	---
Level 7	Patient Care Support	Documentation	7522, 7826	New	1	---

Total: 9

Security Consoles



Making sure it's secure.™

Shred-it's ultra-strong security consoles give you the efficiency, durability and flexibility you expect.

➔ Paper securely held in durable polyester bag for efficient and secure retrieval

Higher capacity than most of the consoles in the industry — saving you money

➔ Wide variety of lock systems for added security and assurance

➔ Custom finish options available (Cherry, Mahogany, Light Oak, Birch) to coordinate with your office environment

➔ Specifically designed with wide feed slots that can take up to 400 pieces of paper at a time and cannot be retrieved

Made with recycled wood materials compliant with the Environmentally Preferred Product Certification (EPP), ensuring better office air quality.

➔ Multi-media consoles feature multiple feed slot design for various applications (paper, CDs, hard drives, videotapes, pill bottles, etc.)



Top Load Console (pictured)
36" H x 20.25" W x 19.5" D
Holds 39.54 gallons of paper.

See reverse for more Consoles and Bins.

800 69-Shred | 800.697.4733
or visit us at shredit.com



NAID-CERTIFIED INDUSTRY EXPERTS

All Shred-it locations in North America have received NAID Certification for mobile document destruction.



Security Consoles and Bins



Making sure
it's secure.™

Available in a variety of styles to meet your application and security needs.



Front Load Console

36" H x 20.25" W x 19.5" D

Front-loading beveled slot and internal security plate ensure documents cannot be removed. Holds 39.54 gallons of paper.



Mini Console

26" H x 20.25" W x 19.5" D

Designed to fit under a workstation where space is at a premium. Holds 36.01 gallons of paper. (Each Mini Console will hold up to 250 pieces of paper.)



Double Console

62" H x 20.25" W x 19.5" D

Stacks two high. Designed to fit in tight spaces. Holds 81.98 gallons of paper.



Wood-Finish Top Load Console

36" H x 20.25" W x 19.5" D

Top-loading beveled slot and internal security plate ensure documents cannot be removed. Holds 39.54 gallons of paper.

- Mahogany
- Birch

- Light Oak
- Cherry



Multi-Media Console

35" H x 10" W x 19.5" D

Designed for use of media items such as DVDs. Features multiple feed slot. Holds 21.1 gallons of paper.

Shred-it's high volume security bins are extremely durable and easy to maneuver.

- Top-loading, durable plastic containers for high paper volumes
- Ideal for higher volume areas such as mailrooms, copy rooms or warehouses
- Security slot to ensure paper cannot be retrieved from inside
- Wheeled and well-balanced for easy handling
- Hasp design for padlock security



2-Bag Bin

36" H x 40" W x 20" D

Holds 60 gallons of paper.



4-Bag Bin

35" H x 40" W x 27.5" D

Holds 90 gallons of paper.

800 69-Shred | 800.697.4733
or visit us at shredit.com



NAID-CERTIFIED INDUSTRY EXPERTS

All Shred-it locations in North America have received NAID Certification for mobile document destruction.





Model: 30240 AkroBin Hanging/Stacking
Category: Bin
Subcategory: Supply
Manufacturer: Akro-Mils
Catalog #: 30240

Atta 3 ID: BIN-9EE57

Supply bin. Features: Heavy-duty hanging and stacking bin for storage and organization. Measures 8-1/4 W x 14-3/4 D x 7 H (inch). For use with louvered panel hanging systems, rail hanging systems, and carts. Colored bins made from industrial grade polymers. Resistant to weak acids or alkalis. Ships 12 per carton. Available in Black, Blue, Clear, Green, Light Blue, Purple, Red, Stone, Yellow

General Production Detail

Arch Sig: No	Spatial Sig: No
Arch Code: 03-Movable Non-Electrical	ADA: No
Critical Path: No	Antimicrobial: No
Type: Medical	Green: No
Furnish Install: Owner / Owner	

Electrical Requirements

Volts:	Watts: N/A
Hz: N/A	Amps: N/A
KVA:	Circuit: No
UPS: N/A	Plug Type: N/A
Emerg. Power: No	Plug Detail:
Other Volts Avail.: No	Electrical Phase: N/A
BTU/hr: N/A	
Electrical notes:	

Physical Requirements

Width (in.): 8.2500	Left (in.): N/A
Depth (in.): 14.7500	Right (in.): N/A
Height (in.): 7.0000	Front (in.): N/A
Product Weight (lbs): 1.0000	Back (in.): N/A
Max Operating Weight (lbs):	Top (in.): N/A
Mounting: Counter/Cart/Table/Pole	Bottom (in.): N/A
Specification notes:	

Utility Requirements

Water - Cold: No	Gas Type:
Water - Hot: No	Gas Location:
Water - Treated: No	Medical Gas: No
Drain: No	Vent Type:
Drain Location:	Heat Dissipation: N/A
Steam: No	Dissipation Type: Actual
Vacuum - Den. / Med.: No/No	
Plumbing notes:	
Mechanical notes:	

Structural Requirements

Seismic: No	OPA #:
	Pre-Approval:
Structural notes:	

Technology Requirements

Patient Data: No	Network:
Connection Type: N/A	System:
Technical Connection notes:	

Locations

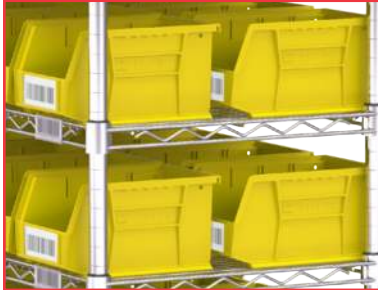
Level	Arch Dept	Room	Room #	Status	Item Qty	Ext Total Config
Level 7	Pharmacy	Med Room	7521, 7716, 7821	New	10	\$531.90

Total: 30

AkroBins®

Industry-leading hanging and stacking bins!

- Heavy-duty bins stack, sit on shelving or hang from panels and rails
- Optional dividers allow you to create customizable compartment sizes



The 30237, can be used back to back as a two-bin Kanban solution on 18" deep shelves!



30235



30230 with 41230 Width Dividers

30260 with 40260 Length Divider

30240 with 29302 Card Stock Holder

30230 with 30231CRY Lid



AkroBins		Outside Dimensions (In.)			Bottom Dimensions (In.)				Capacity/Quantity		Accessories					
Model No.	In Stock Colors Other Colors Require Minimum Qty.	L	W	H	L	W	H	X	Bin Load Capacity On Rack	Bin Ctn. Qty.	Black Length Dividers‡	Black Width Dividers‡	Divider Pkg. Qty.	Bin Lids	Lid Pkg. Qty.	Card Stock
30210	R, Y, B, S, G, SC, K	5-3/8	4-1/8	3	4-3/4	3-7/16	2-13/16	4	10 lbs.	24	40210 (1)	–	6	30211CRY	24	29301
30220	R, Y, B, S, G, SC, K	7-3/8	4-1/8	3	6-3/4	3-7/16	2-13/16	6	10 lbs.	24	40220 (1)	–	6	30221CRY	24	29301
30237	R, Y, B, S, G, SC, K	9-1/4	6	5	8-9/16	4-7/8	4-3/4	7-1/4	20 lbs.	12	–	–	6	–	–	29302
30224	R, Y, B, S, G, SC, K	10-7/8	4-1/8	4	10-1/4	3-3/16	3-3/4	9	20 lbs.	12	40224 (1)	–	6	30225CRY	12	29301
30230 [§]	R, Y, B, S, G, SC, K, LTBLU, PUR	10-7/8	5-1/2	5	10-1/4	4-3/8	4-3/4	9	30 lbs.	12	40230 (1)	41230 (3)	6	30231CRY	12	29302
30234	R, Y, B, S, G, SC, K	14-3/4	5-1/2	5	14-1/16	4-3/8	4-3/4	12-13/16	50 lbs.	12	40234 (1)	–	6	–	–	29302
30239	R, Y, B, S, G, SC, K	10-7/8	8-1/4	7	10	6-9/16	6-3/4	8	50 lbs.	6	40239 (1)	–	6	–	–	29302
30240 [¶]	R, Y, B, S, G, SC, K, LTBLU, PUR	14-3/4	8-1/4	7	14	6-9/16	6-3/4	12	60 lbs.	12	40245 (1)	–	6	–	–	29302
30265	R, Y, B, S, G, SC, K	18	8-1/4	9	17-1/8	6-3/4	8-1/4	14-1/2	60 lbs.	6	40265 (1)	–	6	–	–	–
30235	R, Y, B, S, G, SC, K	10-7/8	11	5	10-1/4	10	4-3/4	9	50 lbs.	6	40230 (3)	–	6	30236CRY	6	29302
30260	R, Y, B, S, G, SC, K	18	11	10	17	9-1/2	9-3/4	14-3/16	60 lbs.	6	40260 (3)	–	6	–	–	–
30255	R, Y, B, S, G, SC, K	10-7/8	16-1/2	5	9-3/4	15	4-3/4	9	60 lbs.	6	40230 (3)	–	6	–	–	29302
30250 [§]	R, Y, B, S, G, SC, K	14-3/4	16-1/2	7	14	14-3/4	6-3/4	12	75 lbs.	6	40245 (3)	41250 (3)	6	–	–	29302
30270	R, Y, B, S, G, SC, K	18	16-1/2	11	17-1/8	14-3/4	10-1/4	14	75 lbs.	3	40270 (3)	41270 (3)	6	–	–	–
30320*	R, Y, B	8-5/8	33	5	7	31-1/2	4-3/16	6	80 lbs.	4	40321 & 40220 (7)	–	7/6	–	4	–

Order in carton quantities. One color per carton. Specify Red, Yellow, Blue, Stone, Green, Clear, or Black. †Available in Purple and Light Blue. Other colors available, minimum quantities apply. CAUTION: When using bins with hanging systems, do not exceed the weight capacity for the rack, which may be less than the total sum of bin capacities. 40321=Full Divider, 40220=Short Divider. ‡() = Max. # of divider slots per bin. Bin color code: R=Red, Y=Yellow, B=Blue, S=Stone, G=Green, SC=Clear, K=Black, LTBLU=Light Blue, PUR=Purple.



AkroBin Shelving & Cabinet Systems

AkroBin Wire Shelving Systems			Bin Dimensions (In.)			Shelf Dimensions (In.)			Quantity	
Model No.	Description	Available Colors	L	W	H	D	L	H	Bins	Shelves
AWS143630240	Wire Shelving w/ 30240 Bins	B, R, Y, G, K, S, SC	14-3/4	8-1/4	7	14	36	74	36	4
AWS143630250	Wire Shelving w/ 30250 Bins	B, R, Y, G, K, S, SC	14-3/4	16-1/2	7	14	36	74	18	4
AWS184830260	Wire Shelving w/ 30260 Bins	B, R, Y, G, K, S, SC	18	11	10	18	48	74	24‡	6
AWS183630265	Wire Shelving w/ 30265 Bins	B, R, Y, G, K, S, SC	18	8-1/4	9	18	36	74	18‡	5
AWS183630270	Wire Shelving w/ 30270 Bins	B, R, Y, G, K, S, SC	18	16-1/2	11	18	36	74	9‡	5
AWS143630320	Wire Shelving w/ 30320 Bins	B, R, Y, S, SC	8-5/8	33	5	14	36	74	12‡	11

Bin color code: R=Red, B=Blue, Y=Yellow, G=Green, K=Black, S=Stone, SC=Clear. Specify one bin color when ordering. ‡Bonus bins included.



AWS184830260G

AkroBin Standard Bin Cabinets

AkroBin Cabinet 36" W x 24" D x 78" H		AkroBin Quantity				
Model No.	Description	30210	30220	30230	30240	30250
AC3624	Gray Cabinet w/ Louvered Panels on Back & Doors, no Bins	-	-	-	-	-
AC3624Y	Gray Cabinet w/ Louvered Panels on Back & Doors with Assorted Yellow AkroBins	48	48	24	12	6



AC3624Y

AkroBin Cabinet with Shelves 36" W x 24" D x 78" H		AkroBin Quantity				
Model No.	Description	30210	30220	30230	30240	30250
AC36243AS	Gray Cabinet w/ 3 Shelves, Louvered Panels on Back & Doors, no Bins	-	-	-	-	-
AC3624Y3AS	Gray Cabinet w/ 3 Shelves, Louvered Panels on Back & Doors, with Assorted Yellow AkroBins	48	48	-	-	6

AkroBin Cabinet Flush Door 36" W x 18" D x 78" H		AkroBin Quantity		
Model No.	Description	30230	30240	30250
AC3618	Gray Cabinet w/ Louvered Panels on Back Wall, no Bins	-	-	-
AC3618PUT	Putty Cabinet w/ Louvered Panels on Back Wall, no Bins	-	-	-
AC3618Y	Gray Cabinet w/ Louvered Panels on Back Wall, with Assorted AkroBins	24	12	6
AC3618YPUT	Putty Cabinet w/ Louvered Panels on Back Wall, with Assorted AkroBins	24	12	6



AC3618YPUT



akro-mils.com

1293 South Main Street, Akron, Ohio 44301 • Tel: 800.253.2467 • sales@akro-mils.com

In Canada: Ak-West, Inc. • Tel: 877.979.8940 • Fax: 403.225.1696 • sales@ak-westinc.com • ak-westinc.com

Generated 12/12/2024 19:02 UTC

PLAN-IT | PROJECT Powered by Attainia, Inc.



Model: Electronic Simulator
Category: Analyzer/Tester, Biomed
Subcategory: Handheld Blood Analyzer
Manufacturer: Abbott Point of Care Inc
Catalog #: 06F11-01

Atta 3 ID: BIO-4595E

Electronic Simulator is a quality control device for the i-STAT analyzer's cartridge signal-reading function. While the analyzer performs internal electronic checks and calibration during each test cycle, the Electronic Simulator test provides an independent check on the ability of the analyzer to take accurate measurements of voltage, current and resistance from the cartridge. An analyzer will pass or fail this electronic test depending on whether or not it measures these signals within limits specified in the analyzer software.

General Production Detail

Arch Sig: No	Spatial Sig: No
Arch Code: 03-Movable Non-Electrical	ADA: No
Critical Path: No	Antimicrobial: No
Type: Non-Medical	Green: No
Furnish Install: Owner / Owner	

Physical Requirements

Width (in.): 2.7550	Left (in.): N/A
Depth (in.): 3.5430	Right (in.): N/A
Height (in.): 0.7480	Front (in.): N/A
Product Weight (lbs): 0.1870	Back (in.): N/A
Max Operating Weight (lbs):	Top (in.): N/A
Mounting: Special	Bottom (in.): N/A
Specification notes:	

Structural Requirements

Seismic: No	OPA #:
	Pre-Approval:
Structural notes:	

Technology Requirements

Patient Data: No	Network:
Connection Type: N/A	System:
Technical Connection notes:	

Electrical Requirements

Volts:	Watts: N/A
Hz: N/A	Amps: N/A
KVA:	Circuit: No
UPS: N/A	Plug Type: N/A
Emerg. Power: No	Plug Detail:
Other Volts Avail.: No	Electrical Phase: N/A
BTU/hr: N/A	
Electrical notes:	

Utility Requirements

Water - Cold: No	Gas Type:
Water - Hot: No	Gas Location:
Water - Treated: No	Medical Gas: No
Drain: No	Vent Type:
Drain Location:	Heat Dissipation: N/A
Steam: No	Dissipation Type: Actual
Vacuum - Den. / Med.: No/No	
Plumbing notes:	
Mechanical notes:	

Locations

Level	Arch Dept	Room	Room #	Status	Item Qty	Ext Total Config
Level 7	Respiratory Therapy	RT Clean Storage	7719	New	1	\$639.79

Total: 1

Overview

The Electronic Simulator, external and internal, is a quality control device for the analyzer's cartridge signal-reading function. It simulates two levels of electrical signals that stress the analyzer's cartridge signal detection function both below and above measurement ranges.

While the analyzer performs internal electronic checks and calibration during each test cycle, the Electronic Simulator test provides an independent check on the ability of the analyzer to take accurate and sensitive measurements of voltage, current and resistance from the cartridge. An analyzer will pass or fail this electronic test depending on whether or not it measures these signals within limits specified in the analyzer software.

The schedule for the Electronic Simulator can be customized to meet local, state, or national accreditation requirements. A reminder message for the operator to run the external simulator can be set by the number of hours on the i-STAT Portable Clinical Analyzer and by the hours or tests on the i-STAT 1 Analyzer. The schedule for the automatic internal Electronic Simulator can be set by the number of hours on the i-STAT Portable Clinical Analyzer and by the hours or tests on the i-STAT 1 Analyzer. For details and lockout options, see the Customization section of this manual.

Note: All analyzers that pass the Electronic Simulator test are equivalent. Therefore, any representative number of analyzers that pass the Simulator test may be used for compliance with regulatory and accreditation quality assurance procedures. These procedures include initial performance verification studies, calibration verification, proficiency testing, and method comparison studies.

Relative Humidity

The Electronic Simulator test will fail if high humidity interferes with the measurements. Therefore it is not necessary to record humidity where the analyzers are in use.

Internal Simulator

When the specified time has elapsed since the last Electronic Simulator test (internal or external), the internal test will automatically be performed when a cartridge is inserted before the sample is tested, adding about 20 seconds to the testing cycle.

External Simulator

The external Electronic Simulator is a stable electronic device, which is inserted into the cartridge port. The test cycle for the external Electronic Simulator is about 60 seconds. (The test cycle for the internal simulator is shorter because it shares the initial part of the test cycle with the cartridge.)

Operating Characteristics

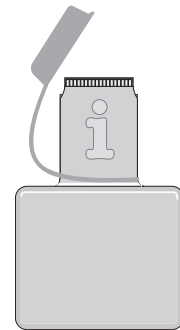
Operating Characteristics	
Dimensions	Height 1.9 cm Width 7.0 cm Length 9.0 cm
Weight	85 g
Operating Temperature	Same as Analyzer being tested
Operating Ambient Humidity	0-90% RH non-condensing (as shipped)
Storage Temperature	-20-50°C (-4-122°F)

Even when the internal Electronic Simulator is enabled, an external Electronic Simulator is needed:

- to validate an internal simulator failure.
- to reset the internal simulator schedule if a simulator test might interrupt testing, such as in a CVOR.

Note: CVOR = Cardiovascular Operating Room

- for on-demand testing at any time.
- to perform the thermal probe check.
- to access the Proficiency and Calibration Verification test paths on the i-STAT Portable Clinical Analyzer.



The external Electronic Simulator should be stored in the box in which it is shipped and the blue cap should be replaced after each use to protect the contact pads.

Stored Result

The results of the Simulator test are stored as a distinct record in the analyzer and can be transmitted to the Central Data Station.

Use ...

Use of the Electronic Simulator is described further in the Quality Control section of this manual.

Cleaning the Simulator

Before cleaning, cover the connector area with the blue rubber boot. This will minimize the possibility of any cleaning fluid getting into the simulator housing, thus contaminating the internal circuitry.

Clean the simulator with a gauze pad moistened with any of the cleaning agents approved for the analyzer, listed on page 17-1 of this manual.

Rinse the simulator using another gauze pad moistened with water and dry. DO NOT IMMERSER THE SIMULATOR IN ANY FLUID, AT ANY TIME.

If the connector itself is contaminated, the user should contact their Support Representative and arrange to have the simulator returned.

Model: Template #27448 (vertical 24"x36")
Category: Board
Subcategory: White, Dry Erase
Manufacturer: ROI Print Solutions
Catalog #:

Atta 3 ID: BRD-59985

General Production Detail

Arch Sig: Yes	Spatial Sig: No
Arch Code: 01-Fixed Equipment	ADA: No
Critical Path: No	Antimicrobial: No
Type: Non-Medical	Green: No
Furnish Install: Owner / Contractor	

Electrical Requirements

Volts:	Watts: N/A
Hz: N/A	Amps: N/A
KVA:	Circuit: No
UPS: N/A	Plug Type: N/A
Emerg. Power: No	Plug Detail:
Other Volts Avail.: No	Electrical Phase:
BTU/hr: N/A	
Electrical notes:	

Physical Requirements

Width (in.):	Left (in.): N/A
Depth (in.):	Right (in.): N/A
Height (in.):	Front (in.): N/A
Product Weight (lbs):	Back (in.): N/A
Max Operating Weight (lbs):	Top (in.): N/A
Mounting:	Bottom (in.): N/A
Specification notes:	

Utility Requirements

Water - Cold: No	Gas Type:
Water - Hot: No	Gas Location:
Water - Treated: No	Medical Gas: No
Drain: No	Vent Type:
Drain Location:	Heat Dissipation: N/A
Steam: No	Dissipation Type:
Vacuum - Den. / Med.: No/No	
Plumbing notes:	
Mechanical notes:	

Structural Requirements

Seismic: No	OPA #:
	Pre-Approval:
Structural notes:	

Technology Requirements

Patient Data: No	Network:
Connection Type: N/A	System:
Technical Connection notes:	

Locations

Level	Arch Dept	Room	Room #	Status	Item Qty	Ext Total Config
Level 7	Critical Care	Critical Care	718, 719, 722, 723, 724, 725, 726, 727, 728, 729, 730, 731, 732, 733, 734	New	1	\$1,695.00
Level 7	Critical Care	Ante Room	714.2, 715.2, 716.2, 717.2	New	1	\$452.00
Level 7	Patient Care Support	Staff Lounge	7518	New	1	\$113.00
Level 7	Critical Care	Critical Care - Patient of Size	720	New	1	\$113.00
Level 7	Critical Care	Critical Care - Isolation	714, 715, 716, 717	New	1	\$452.00
Level 7	Progressive Care	Progressive Care	701, 702, 703, 704, 705, 706, 707, 708, 709, 710, 711, 712	New	1	\$1,356.00

Total: 37



Model: DuraMax Magnetic w/ Al. Frame (96" x 48")
Category: Board
Subcategory: White, Dry Erase
Manufacturer: Quartet GBC / ACCO Brands
Catalog #: 2548

Atta 3 ID: BRD-84E97

Dry erase white board. Features porcelain with magnetic surface. 96"W x 48"H. Steel backing creates a magnetic surface to allow the whiteboard to double as a magnetic bulletin board. 4-corner mounting system, aluminum frame. Includes 4 assorted color dry-erase markers.

General Production Detail

Arch Sig: Yes	Spatial Sig: No
Arch Code: 01-Fixed Equipment	ADA: No
Critical Path: No	Antimicrobial: No
Type: Non-Medical	Green: No
Furnish Install: Owner / Contractor	

Physical Requirements

Width (in.): 96.0000	Left (in.): N/A
Depth (in.): 2.0000	Right (in.): N/A
Height (in.): 48.0000	Front (in.): N/A
Product Weight (lbs): 70.7000	Back (in.): N/A
Max Operating Weight (lbs):	Top (in.): N/A
Mounting: Wall	Bottom (in.): N/A
Specification notes:	

Structural Requirements

Seismic: Yes	OPA #:
	Pre-Approval:
Structural notes:	

Technology Requirements

Patient Data: No	Network:
Connection Type: N/A	System:
Technical Connection notes:	

Electrical Requirements

Volts:	Watts: N/A
Hz: N/A	Amps: N/A
KVA:	Circuit: No
UPS: N/A	Plug Type: N/A
Emerg. Power: No	Plug Detail:
Other Volts Avail.: No	Electrical Phase: N/A
BTU/hr: N/A	
Electrical notes:	

Utility Requirements

Water - Cold: No	Gas Type:
Water - Hot: No	Gas Location:
Water - Treated: No	Medical Gas: No
Drain: No	Vent Type:
Drain Location:	Heat Dissipation: N/A
Steam: No	Dissipation Type: Actual
Vacuum - Den. / Med.: No/No	
Plumbing notes:	
Mechanical notes:	

Locations

Level	Arch Dept	Room	Room #	Status	Item Qty	Ext Total Config
Level 7	Respiratory Therapy	RT Clean Storage	7719	New	1	\$740.00
Level 7	Patient Care Support	Multipurpose Room	7506	New	1	\$740.00

Total: 2

Quartet® Premium DuraMax® Porcelain Magnetic Whiteboard, 8' x 4', Silver Aluminum Frame

2548



Product Description

DuraMax means durability. This porcelain board with a lifetime warranty will not stain, ghost, scratch or dent and is ideal for a busy office with heavy use needs. Plus, the board surface is magnetic to double as a posting and display surface.

Features

- Classic, DuraMax® porcelain whiteboard will not stain, ghost, scratch or dent and has a lifetime warranty
- Well suited for heavy use in public spaces, board surface is easy to clean and maintain
- Steel backing creates a magnetic surface to allow whiteboard to double as a magnetic bulletin board
- Aluminum frame matches most office décor
- Versatile mounting hardware allows board to hang vertically or horizontally
- Cradle to CradleCM Silver certified porcelain, certified for material content, recyclability and sustainable manufacturing processes
- Marker tray with 4 assorted color Quartet® dry-erase markers included
- Made in the USA and TAA Compliant

Specifications

- **Detailed Color** White
- **Frame Finish** Silver Aluminum
- **Mounting Hardware Type** Z-bracket
- **Orientation** Horizontal or Vertical
- **Period of Warranty** Lifetime
- **Standard Board Size** 8' x 4'
- **Usage** Public Space - High traffic
- **Use Frequency** Heavy Use

Case information

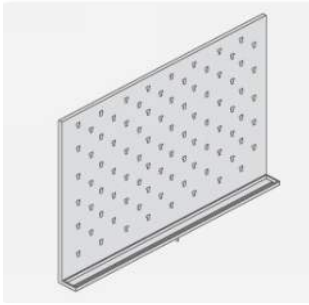
Depth	101.13"
Width	52.63"
Height	2"
Gross weight	70.70lbs
UPC#	034138254806
Unit quantity	1

Shipping Information

Country of origin	US
Minimum Order Quantity	1
Lowest possible unit	Each

General information

Color	Unknown
Layer/Pallet	15
Cases/Layer	1



Model: Victoria V4836
Category: Board
Subcategory: Peg, Stainless Steel
Manufacturer: Inter Dyne Systems, Inc.
Catalog #: V4836

Atta 3 ID: BRD-BE789

Stainless steel pegboard with catch drain and integral 4"d drip trough. 48"w x 36"h. Drip trough comes with a 36" clear flexible drain tube. Includes (88) 6" long/1/2" diameter white Polypropylene pegs. Autoclavable. Constructed from 20 gauge, type 304 stainless steel, polished to a #4 finish. Wall mount bracket shipped with each pegboard.

General Production Detail

Arch Sig: Yes	Spatial Sig: No
Arch Code: 01-Fixed Equipment	ADA: No
Critical Path: No	Antimicrobial: No
Type: Medical	Green: No
Furnish Install: Owner / Contractor	

Electrical Requirements

Volts:	Watts: N/A
Hz: N/A	Amps: N/A
KVA:	Circuit: No
UPS: N/A	Plug Type: N/A
Emerg. Power: No	Plug Detail:
Other Volts Avail.: No	Electrical Phase: N/A
BTU/hr: N/A	
Electrical notes:	

Physical Requirements

Width (in.): 48.0000	Left (in.): N/A
Depth (in.): 4.0000	Right (in.): N/A
Height (in.): 36.8750	Front (in.): N/A
Product Weight (lbs): 31.0000	Back (in.): N/A
Max Operating Weight (lbs):	Top (in.): N/A
Mounting: Wall	Bottom (in.): N/A
Specification notes:	

Utility Requirements

Water - Cold: No	Gas Type:
Water - Hot: No	Gas Location:
Water - Treated: No	Medical Gas: No
Drain: No	Vent Type:
Drain Location:	Heat Dissipation: N/A
Steam: No	Dissipation Type: Actual
Vacuum - Den. / Med.: No/No	
Plumbing notes:	
Mechanical notes:	

Structural Requirements

Seismic: Yes	OPA #:
	Pre-Approval:
Structural notes:	

Technology Requirements

Patient Data: No	Network:
Connection Type: N/A	System:
Technical Connection notes:	

Locations

Level	Arch Dept	Room	Room #	Status	Item Qty	Ext Total Config
Level 7	Patient Care Support	Clean Supply	7512, 7718, 7812	New	2	\$5,580.00

Total: 6

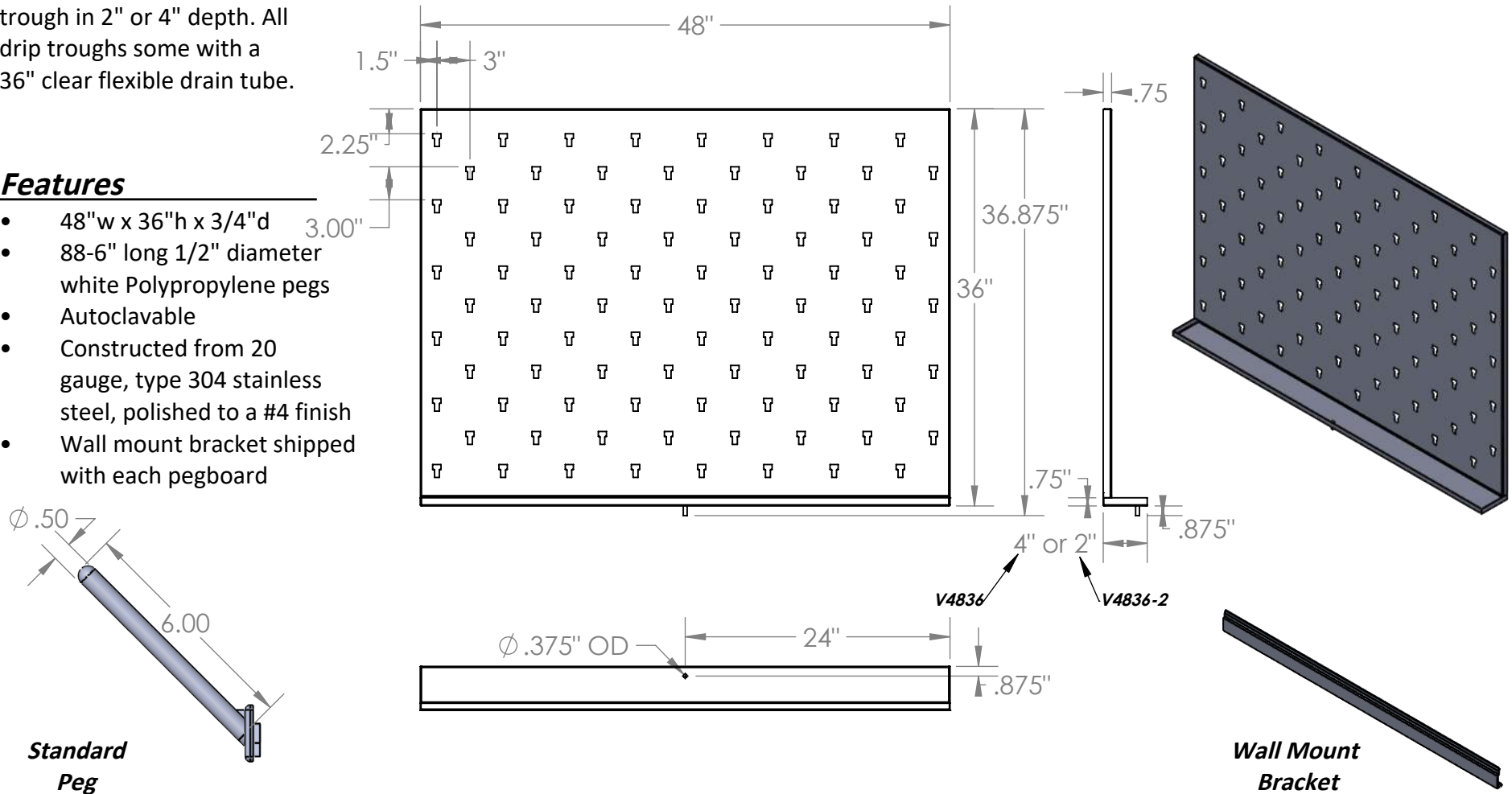
"V" Victoria Series

V Series pegboards have a catch drain and integral drip trough in 2" or 4" depth. All drip troughs some with a 36" clear flexible drain tube.

Features

- 48"w x 36"h x 3/4"d
- 88-6" long 1/2" diameter white Polypropylene pegs
- Autoclavable
- Constructed from 20 gauge, type 304 stainless steel, polished to a #4 finish
- Wall mount bracket shipped with each pegboard

Product Dimensions



Standard Peg

Wall Mount Bracket

UNLESS OTHERWISE SPECIFIED:

DIMENSIONS ARE IN INCHES
TOLERANCES:
ANGULAR ±2.50°
ONE-PLACE ±0.5
TWO-PLACE ±0.13

PROPRIETARY AND CONFIDENTIAL

THE INFORMATION CONTAINED IN THIS DRAWING IS THE SOLE PROPERTY OF INTER DYNE SYSTEMS. ANY REPRODUCTION IN PART OR AS A WHOLE WITHOUT THE WRITTEN PERMISSION OF INTER DYNE SYSTEMS IS PROHIBITED.

REV.	REVISION DESCRIPTION	DRAWN	CHECKED	DATE	COMMENTS:
A	STANDARD PRINT CREATED	ASR/BWA		08/31/20	PEG COUNT 88
					QTY: N/A



INTER DYNE SYSTEMS, INC

676 E. Ellis Rd., Norton Shores, MI 49441
Phone: 231-799-8760 Fax: 231-799-9690

PART NO.

V4836 - V4836-2

MATERIAL: **20GA**

FINISH: **304 #4**



Model: Philips IntelliVue MP2/X2/X3 on 8" Pivot Arm
Category: Bracket
Subcategory: Monitor, Wall
Manufacturer: GCX Corporation
Catalog #: PH-0062-11

Atta 3 ID: BRK-52E26

Philips IntelliVue MP2/X2/X3 on 8 in. / 20.3 cm M Series Pivot Arm wall bracket monitor with MP2/X2 mounting bracket. Docking station is not included and must be ordered from Philips.

General Production Detail

Arch Sig: Yes	Spatial Sig: No
Arch Code: 01-Fixed Equipment	ADA: No
Critical Path: No	Antimicrobial: No
Type: Non-Medical	Green: No
Furnish Install: Owner / Contractor	

Electrical Requirements

Volts:	Watts: N/A
Hz: N/A	Amps: N/A
KVA:	Circuit: No
UPS: N/A	Plug Type: N/A
Emerg. Power: No	Plug Detail:
Other Volts Avail.: No	Electrical Phase: N/A
BTU/hr: N/A	
Electrical notes:	

Physical Requirements

Width (in.): 4.6000	Left (in.): N/A
Depth (in.): 8.9000	Right (in.): N/A
Height (in.): 5.0000	Front (in.): N/A
Product Weight (lbs): 4.0000	Back (in.): N/A
Max Operating Weight (lbs):	Top (in.): N/A
Mounting: Wall	Bottom (in.): N/A
Specification notes:	

Utility Requirements

Water - Cold: No	Gas Type:
Water - Hot: No	Gas Location:
Water - Treated: No	Medical Gas: No
Drain: No	Vent Type:
Drain Location:	Heat Dissipation: N/A
Steam: No	Dissipation Type: Actual
Vacuum - Den. / Med.: No/No	
Plumbing notes:	
Mechanical notes:	

Structural Requirements

Seismic: No	OPA #:
	Pre-Approval:
Structural notes:	

Technology Requirements

Patient Data: No	Network:
Connection Type: N/A	System:
Technical Connection notes:	

Locations

Level	Arch Dept	Room	Room #	Status	Item Qty	Ext Total Config
Level 7	Critical Care	Critical Care - Isolation	714, 715, 716, 717	New	1	---
Level 7	Progressive Care	Viewing Alcove	701.2, 703.2, 705.2, 707.2, 709.2, 711.2	New	2	---
Level 7	Critical Care	Critical Care	718, 719, 722, 723, 724, 725, 726, 727, 728, 729, 730, 731, 732, 733, 734	New	1	---
Level 7	Critical Care	Viewing Alcove	714.3, 716.3, 718.2, 720.2, 722.2, 724.2, 725.2, 727.2, 728.2, 730.2, 731.2, 733.2	New	2	---

Level	Arch Dept	Room	Room #	Status	Item Qty	Ext Total Config
Level 7	Critical Care	Critical Care - Patient of Size	720	New	1	--
Level 7	Progressive Care	Progressive Care	701, 702, 703, 704, 705, 706, 707, 708, 709, 710, 711, 712	New	1	--

Total: 68

Philips IntelliVue MP2/X2/X3 on 8" / 20.3 cm M Series Pivot Arm Mount

PRODUCT DETAILS

Not compatible with battery extension

Philips IntelliVue MP2/X2/X3 on 8" / 20.3 cm M Series Pivot Arm Mount

PH-0062-11

- 8"/20.3 pivot arm mount
- MP2/X2 mounting bracket

Note: Docking station is not included and must be ordered from Philips.





Model: 19 in. Seismic Wall Channel (Channel Only)
Category: Bracket
Subcategory: Monitor, Wall
Manufacturer: GCX Corporation
Catalog #: WC-0002-05

Atta 3 ID: BRK-829A8

19in seismic wall channel. Channel accommodates pivoting or variable height monitor arms. Final Arm and mounting plate models to be determined. Specify before ordering.

General Production Detail

Arch Sig: Yes	Spatial Sig: No
Arch Code: 01-Fixed Equipment	ADA: No
Critical Path: No	Antimicrobial: No
Type: Non-Medical	Green: No
Furnish Install: Owner / Contractor	

Electrical Requirements

Volts:	Watts: N/A
Hz: N/A	Amps: N/A
KVA:	Circuit: No
UPS: N/A	Plug Type: N/A
Emerg. Power: No	Plug Detail:
Other Volts Avail.: No	Electrical Phase: N/A
BTU/hr: N/A	
Electrical notes:	

Physical Requirements

Width (in.): 4.0000	Left (in.): N/A
Depth (in.): 1.0000	Right (in.): N/A
Height (in.): 19.0000	Front (in.): N/A
Product Weight (lbs): 2.0000	Back (in.): N/A
Max Operating Weight (lbs):	Top (in.): N/A
Mounting: Wall	Bottom (in.): N/A
Specification notes:	

Utility Requirements

Water - Cold: No	Gas Type:
Water - Hot: No	Gas Location:
Water - Treated: No	Medical Gas: No
Drain: No	Vent Type:
Drain Location:	Heat Dissipation: N/A
Steam: No	Dissipation Type: Actual
Vacuum - Den. / Med.: No/No	
Plumbing notes:	
Mechanical notes:	

Structural Requirements

Seismic: Yes	OPA #: OPM-0165-13
Pre-Approval:	
Structural notes:	

Technology Requirements

Patient Data: No	Network:
Connection Type: N/A	System:
Technical Connection notes:	

Locations

Level	Arch Dept	Room	Room #	Status	Item Qty	Ext Total Config
Level 7	Pharmacy	Med Room	7521, 7716, 7821	New	1	\$144.00
Level 7	Progressive Care	Progressive Care	701, 702, 703, 704, 705, 706, 707, 708, 709, 710, 711, 712	New	1	\$576.00
Level 7	Critical Care	Critical Care - Isolation	714, 715, 716, 717	New	1	\$192.00
Level 7	Critical Care	Critical Care - Patient of Size	720	New	1	\$48.00

Level	Arch Dept	Room	Room #	Status	Item Qty	Ext Total Config
Level 7	Critical Care	Critical Care	718, 719, 722, 723, 724, 725, 726, 727, 728, 729, 730, 731, 732, 733, 734	New	1	\$720.0 0

Total: 35

GCX® Mounting Channels



STANDARD CHANNEL

<u>Length:</u>	<u>GCX P/N:</u>
7"/17.8 cm	WC-0002-01



SEISMIC CHANNELS

<u>Length:</u>	<u>GCX P/N:</u>
13"/33 cm	WC-0002-03
19"/48.3 cm	WC-0002-05
25"/63.5 cm	WC-0002-07
31"/78.7 cm	WC-0002-09
37"/94 cm	WC-0002-11
43"/109.2 cm	WC-0002-13
49"/124.5 cm	WC-0002-15
55"/139.7 cm	WC-0002-17



FLANGELESS CHANNELS

<u>Length:</u>	<u>GCX P/N:</u>
7"/17.8 cm	WC-0010-01
13"/33 cm	WC-0010-02
19"/48.3 cm	WC-0010-03
25"/63.5 cm	WC-0010-04
31"/78.7 cm	WC-0010-05
43"/109.2 cm	WC-0010-07
55"/139.7 cm	WC-0010-09

Mounting channels are used to secure GCX PolyMount® and PolyQuip® mounting products. Channels are made of high strength aluminum and have a durable clear anodized satin finish.

Channels permit mounting hardware to be set anywhere in the channel. Various lengths of channel are available to accommodate applications and devices with different vertical height requirements. It is also desirable in some cases to utilize two sections of channel to permit ease of installation and maintenance of the mounted devices.

Three types of channels are available: Standard, Seismic, and Flangeless. Standard and Seismic channels are intended to be secured to metal or wood studs with gypsum board or similar coverings. Seismic channels provide additional anchor points and have California OSHPD pre-approval (OPA0079). Flangeless channels are intended to be secured to hard surfaces, e.g., metal walls, surfaces of anesthesia machines, or other devices. Channels can also be secured to pre-fabricated headwall systems such as those manufactured by Hill-Rom, Modular Services.

Safe installation of channels is important and is the installer's responsibility. Installation should be performed by qualified personnel. Please contact GCX and ask to speak with a product specialist if you have questions about channel selection or installation.

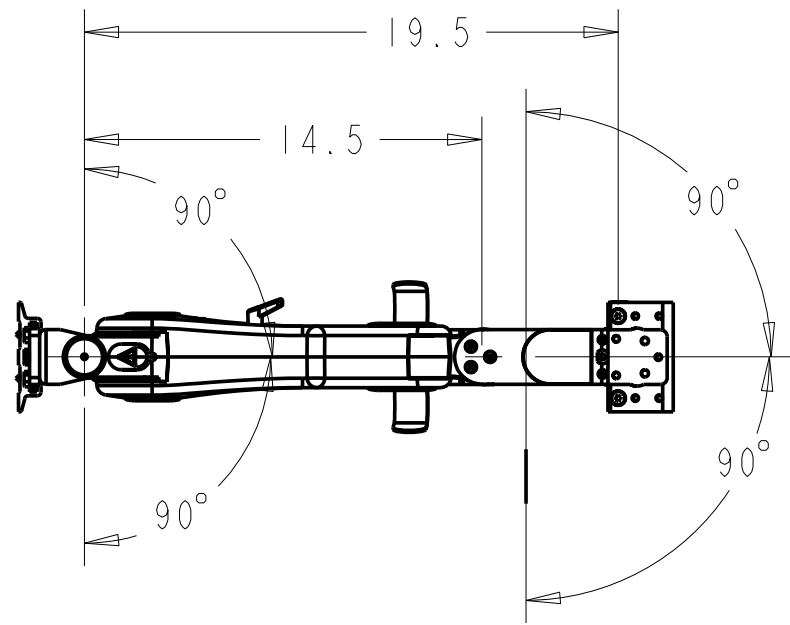


GCX is an ISO 9001 registered company (TUV-Essen)

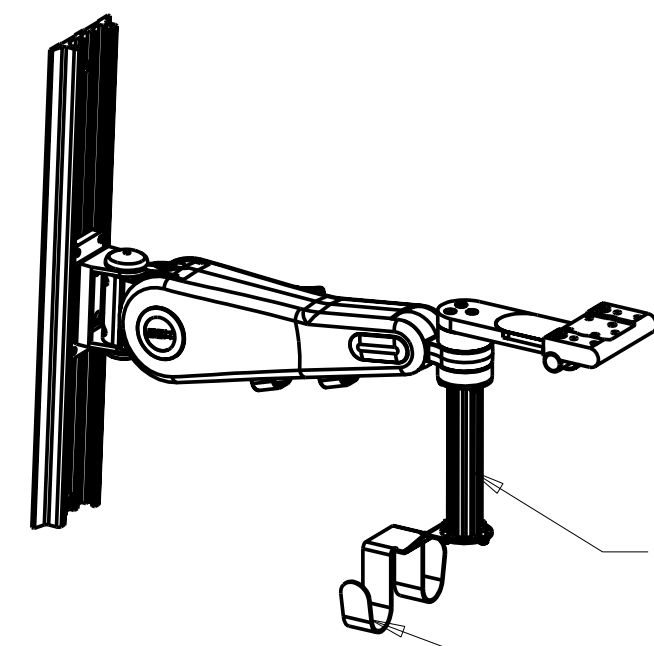
GCX, PolyMount and PolyQuip are registered trademarks of GCX Corporation.
VHRS, VHM, PRC, and M-Series are trademarks of GCX Corporation.

© Copyright 2009

MKT-0001-26 3/2009



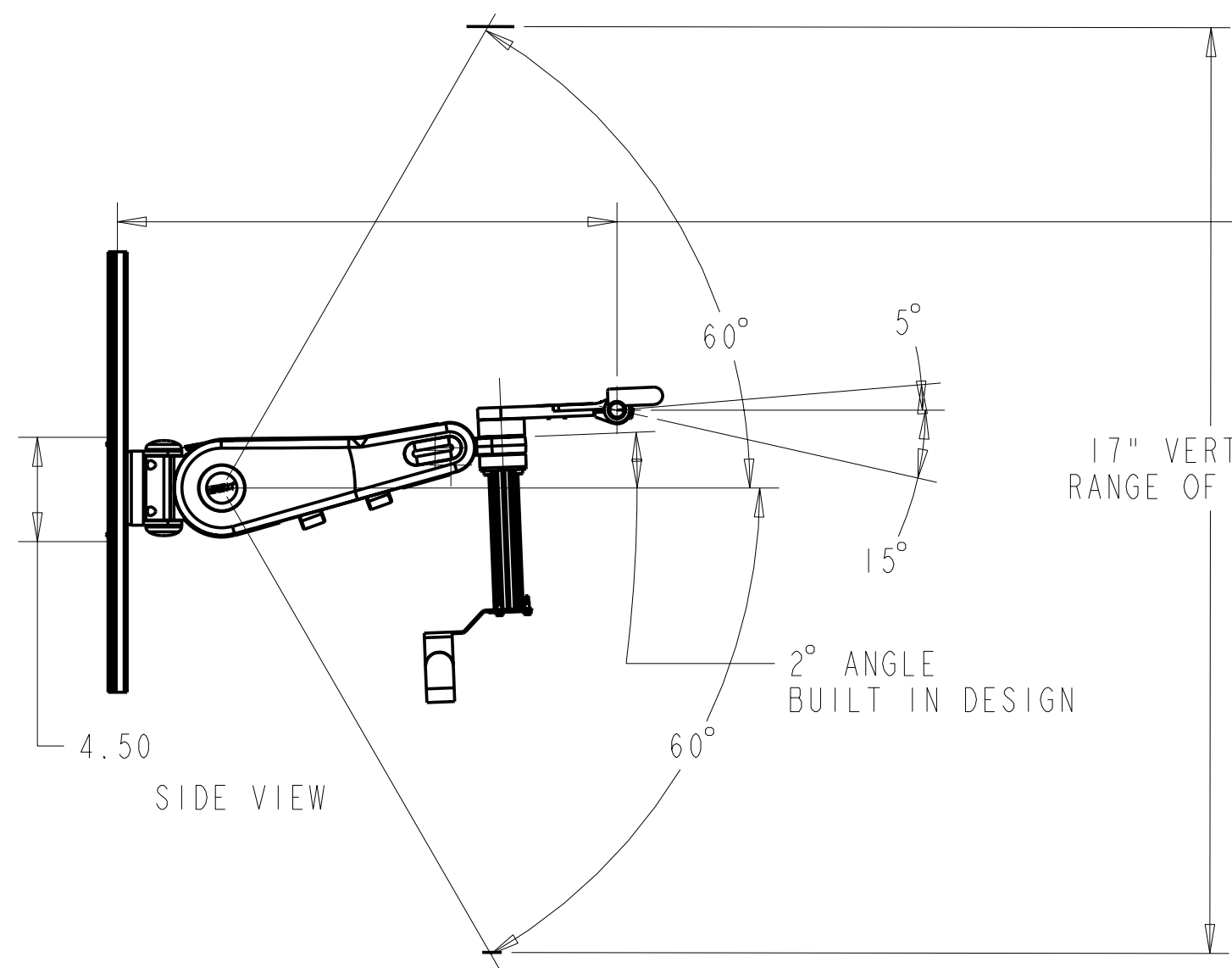
TOP VIEW



ISO VIEW FOR REFERENCE ONLY

6" DOWNPOST

UTILITY HOOK

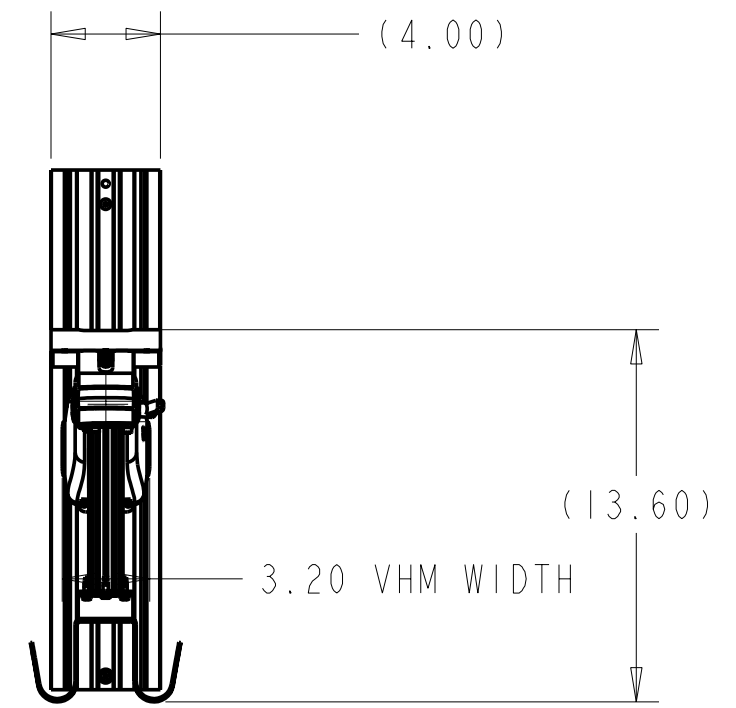


SIDE VIEW

22" FROM WALL MOUNT PLATE TO FRONT PIVOT AXIS

17" VERTICAL RANGE OF MOTION

2° ANGLE BUILT IN DESIGN



FRONT VIEW

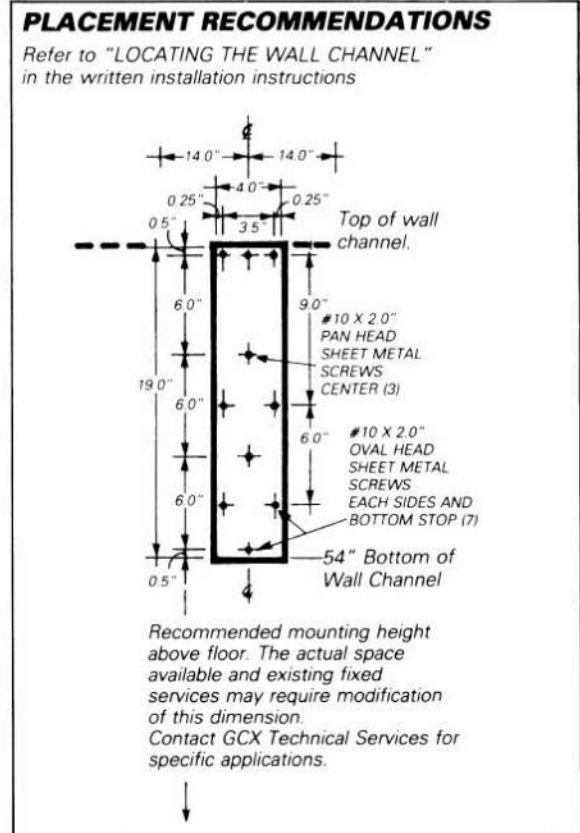
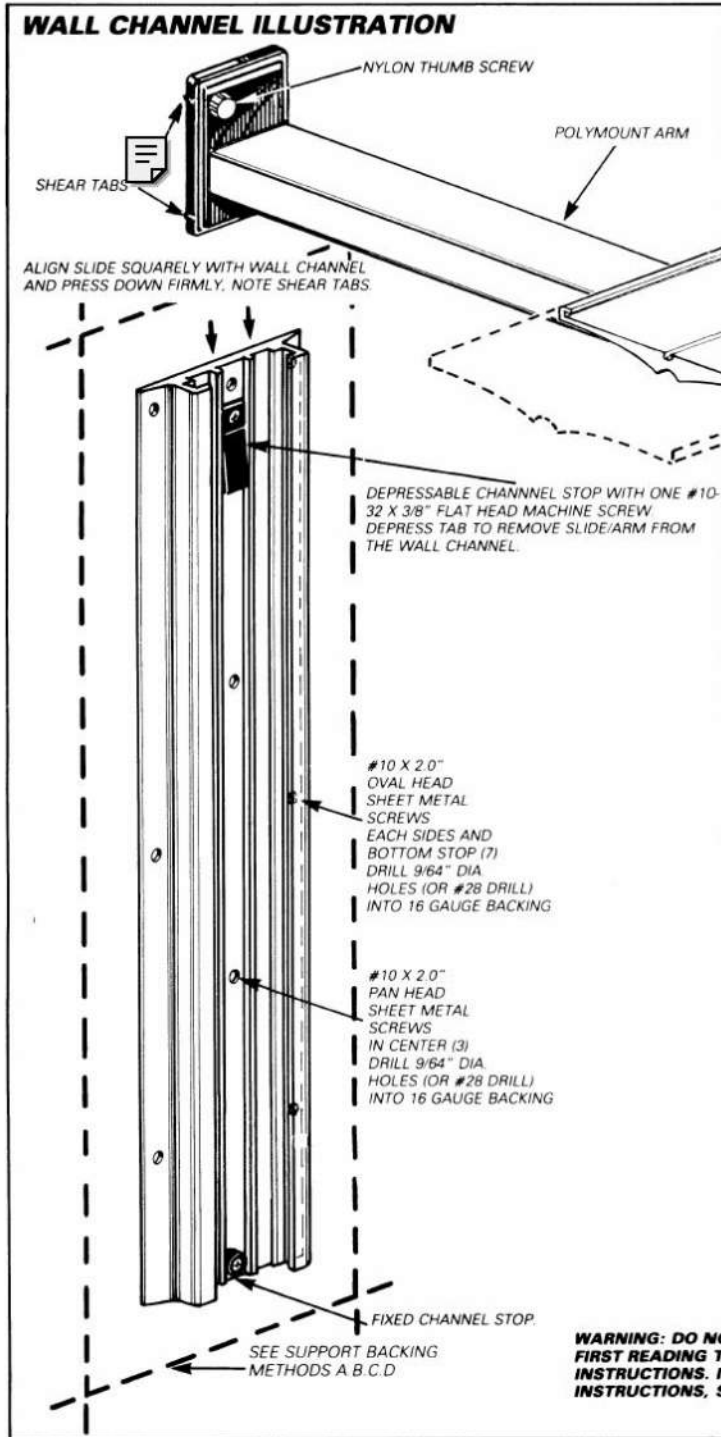
Total Weight: 10.8 pounds

VHM: 8 Pounds
 Downpost: .3 pounds
 Utility Hook: .5 pounds
 19" Wall Channel: 2 pounds

POLYMOUNT® WALL CHANNEL INSTALLATION INSTRUCTIONS

FOR 5/8" GYPSUM BOARD WALLS TO COMPLY WITH CALIFORNIA SEISMIC REQUIREMENTS FOR WALL MOUNTED INSTRUMENTATION. CALIFORNIA OSHPD ANCHORAGE PRE-APPROVAL NUMBER OPA-0079 ANCHORAGE OR SUPPORT OF METAL STUD WALL MUST BE VERIFIED BY THE PROJECT ENGINEER AND APPROVED BY OSHPD PRIOR TO THE INSTALLATION OF ANY MOUNTING SYSTEM.

THE MAXIMUM LOAD RATING FOR THIS SYSTEM IS 40 LBS/18 KG



WARNING: DO NOT INSTALL THIS CHANNEL WITHOUT FIRST READING THE MANUFACTURER'S INSTALLATION INSTRUCTIONS. IF YOU DO NOT FOLLOW THESE INSTRUCTIONS, SERIOUS INJURY MAY RESULT.

POWERMOUNT, POLYMOUNT AND POLYQUIP ARE REGISTERED TRADEMARKS OF GCX CORPORATION
COPYRIGHT © 1984, GCX CORPORATION

GCX
CORPORATION

3875 Cypress Drive
Petaluma, CA 94954-5635
(707) 773-1100
(800) 228-2555 U.S./CAN
Fax (707) 773-1180
www.gcx.com

POLYMOUNT®

POLYMOUNT® BIOMEDICAL INSTRUMENT MOUNTING SYSTEMS FOR EQUIPMENT WEIGHING NOT MORE THAN 40 LBS/18 KG

PLEASE REVIEW THE INSTRUCTIONS AND THE ILLUSTRATIONS COVERING THE SPECIFIC INSTRUMENT TO BE MOUNTED

The four anchorage methods illustrated represent load tests made to comply with California OSHPD requirements for the anchorage and installation of instrument support systems. OSHPD requires that such support systems resist a lateral force of 2 times the weight of the instrument and a vertical force of 2.2 times that weight applied simultaneously. Load tests were performed on a 10 ft. high wall using methods A, B, C and D. Forces were applied 6" above the mounting plate and 14" out from the wall on 12" support arms and 17" out on 15" support arms with diagonal braces. The maximum load rating of these instrument support systems is 40 lbs/18 kg.

impractical to attempt to meet specific load requirements based on given weights of various instruments and the potential for changing instruments. Consequently, all installations must meet the maximum load ratings. Inspection of the anchorage by OSHPD is required prior to the installation of the mounting system. Compliance with these written instructions is required for the installation of the system.

LOCATING THE WALL CHANNEL:

Place bottom edge of a 19 inch wall CHANNEL 56 inches above the floor, plus or minus 4 inches. Taller monitors require lower channel placement. The bottom of the monitor will be 4-1/2" above the bottom of the channel, (6-1/2" when using a 15" support arm with a diagonal brace), with the ARM at its lowest position. Any control should not be higher than 72 inches above the floor. Monitors can always be adjusted UP over a 12" range in a standard 19" wall channel.

EXAMPLE:

15" high monitor:	bottom of channel +52
12" high monitor:	bottom of channel +55
7" high monitor:	bottom of channel +60

Allow 14" clearance either side of the channel centerline to clear objects such as over-bed lighting, privacy curtains, adjacent walls or columns, door swing arcs, etc. Power and signal outlets should be 68 to 72 inches above the floor. Avoid oxygen, vacuum and air outlets and space for attendant flowmeters and regulators. Do not place any portion of the monitor over a patient bed. Wall channels are available in lengths of 19", 25", 31", 37", 43", and 49". Custom lengths are also available.

INSTALLING THE WALL CHANNEL:

See anchorage methods A,B,C or D. Method A is preferred as it uses readily available, standard components and allows for electrical outlets and piped services. The centerlines of methods A, B and C are critical and should be marked by the installation of a #10 sheet metal screw prior to wall cover. The 4" wide channel will cover the disruption of the gypsum board caused by the removal of this screw.

Drill all screw holes in the 16 gauge anchorage using a 9/64" diameter twist drill bit for the #10 X 2" type "A", sheet metal screws supplied. Do not substitute screws.

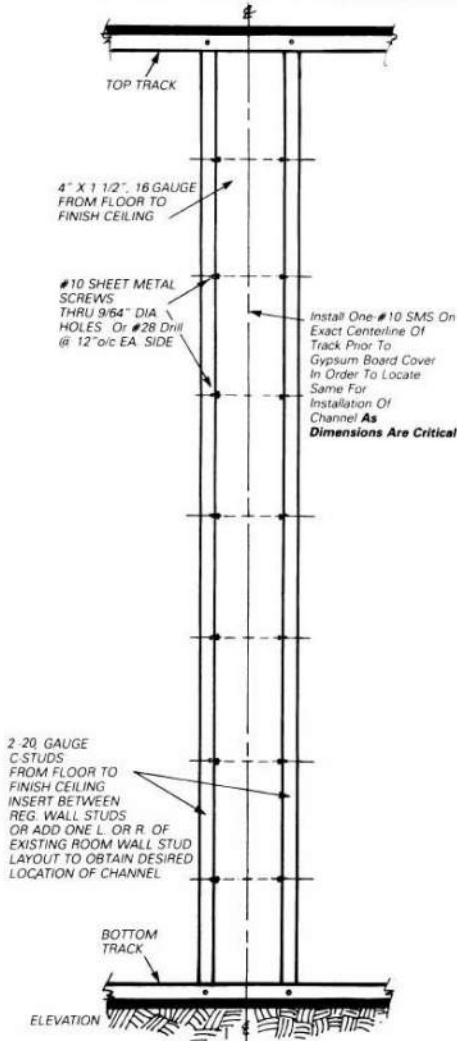
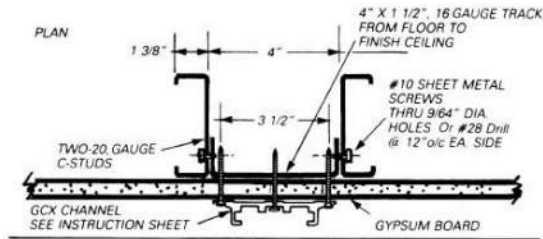
Install the top, centerline screw first. Level the channel and mark for the remaining 9 screws. The 3 pan head screws are used in the top 3 centerline holes. All others use oval head screws. Screws should be started and driven with ball handle drivers or torque limiting screw guns not exceeding 60 inch pounds.

If there is any question as to the installation, contact GCX Corporation, Technical Services.

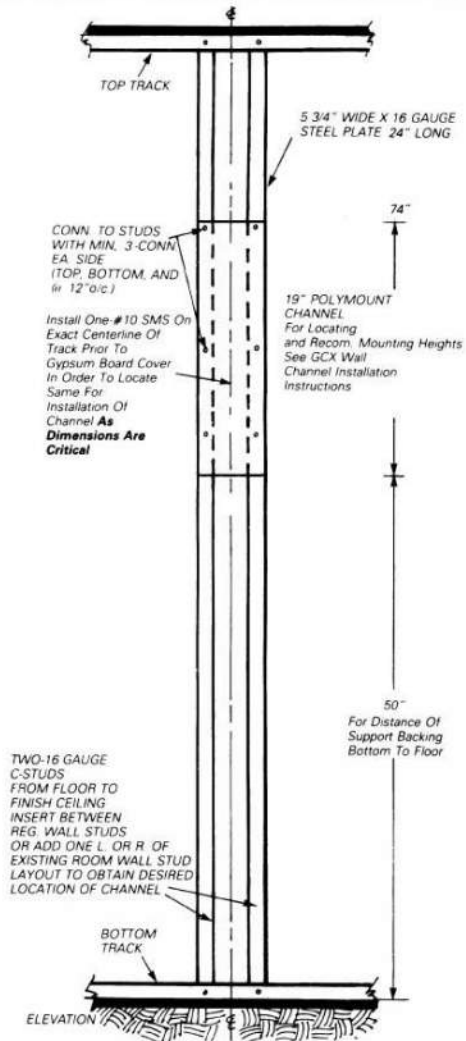
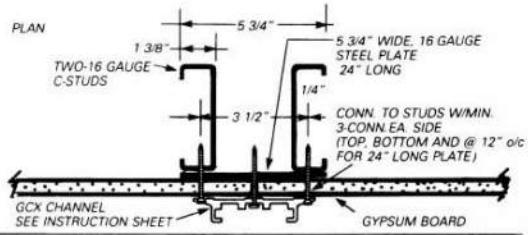
POLYMOUNT® METHODS OF SUPPORT BACKING

FOR 5/8" GYPSUM BOARD WALLS TO COMPLY WITH CALIFORNIA SEISMIC REQUIREMENTS
 FOR WALL MOUNTED INSTRUMENTATION. CALIFORNIA OSHPD ANCHORAGE PRE-APPROVAL NUMBER OPA-0079
 ANCHORAGE OR SUPPORT OF METAL STUD WALL MUST BE
 VERIFIED BY THE PROJECT ENGINEER AND APPROVED BY OSHPD
 PRIOR TO THE INSTALLATION OF ANY MOUNTING SYSTEM. **THE MAXIMUM LOAD RATING FOR THIS SYSTEM IS 40 LBS/18 KG**

METHOD-A



METHOD-B



CONFIDENTIAL MATERIAL

© 1987 GCX CORPORATION. ALL RIGHTS RESERVED.
 THIS MATERIAL IS THE PROPRIETARY INFORMATION OF GCX CORPORATION AND ANY USE, REPRODUCTION, OR DISTRIBUTION OF THE MATERIAL CONTAINED HEREIN, UNLESS SPECIFICALLY AUTHORIZED BY GCX CORPORATION, IS EXPRESSLY FORBIDDEN AND WOULD VIOLATE THE RIGHTS AND INTERESTS OF GCX CORPORATION.

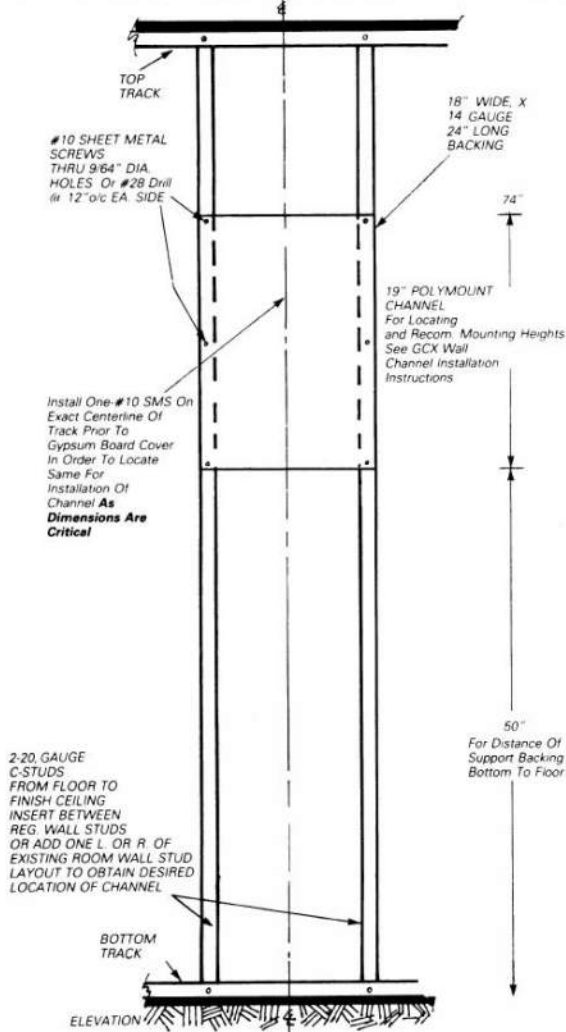
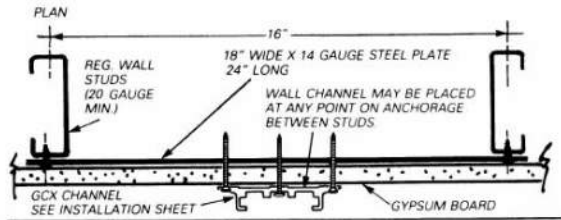
COPYRIGHT © 1987 GCX CORPORATION

POWERMOUNT, POLYMOUNT AND POLYQUIP ARE REGISTERED TRADEMARKS OF GCX CORPORATION

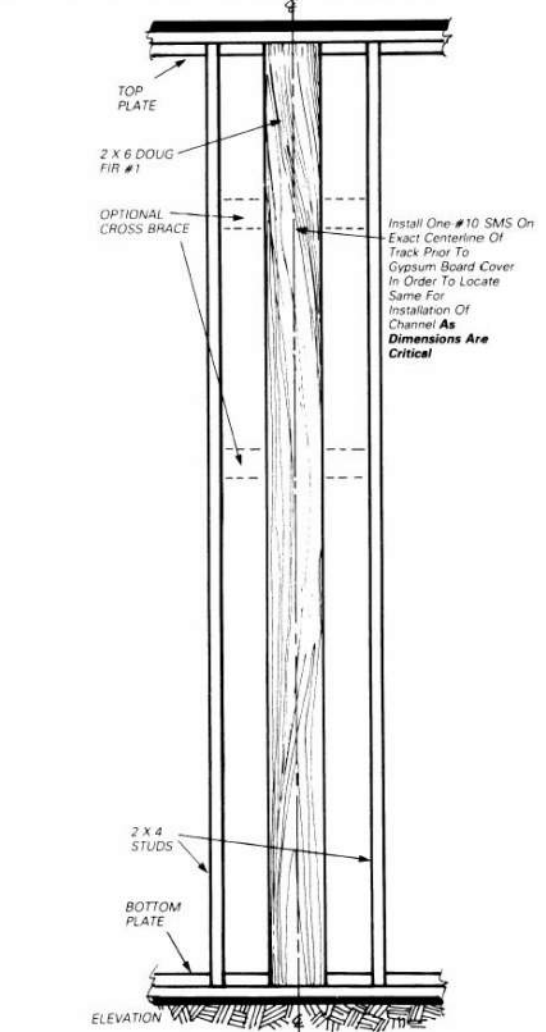
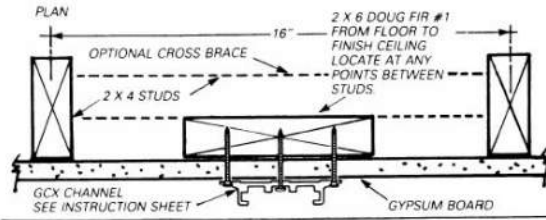
POLYMOUNT® METHODS OF SUPPORT BACKING

FOR 5/8" GYPSUM BOARD WALLS TO COMPLY WITH CALIFORNIA SEISMIC REQUIREMENTS FOR WALL MOUNTED INSTRUMENTATION. CALIFORNIA OSHPD ANCHORAGE PRE-APPROVAL NUMBER OPA-0079
 ANCHORAGE OR SUPPORT OF METAL STUD WALL MUST BE VERIFIED BY THE PROJECT ENGINEER AND APPROVED BY OSHPD PRIOR TO THE INSTALLATION OF ANY MOUNTING SYSTEM.
 THE MAXIMUM LOAD RATING FOR THIS SYSTEM IS 40 LBS/18 KG

METHOD-C



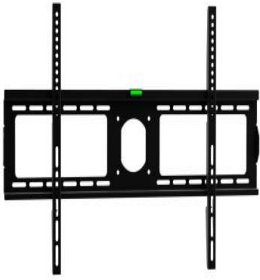
METHOD-D



POWERMOUNT, POLYMOUNT AND POLYQUIP ARE REGISTERED TRADEMARKS OF GCX CORPORATION

COPYRIGHT © 1987 GCX CORPORATION

CONFIDENTIAL MATERIAL
 © 1987 GCX CORPORATION. ALL RIGHTS RESERVED.
 THIS MATERIAL IS THE PROPRIETARY INFORMATION OF GCX CORPORATION AND ANY USE, REPRODUCTION, OR DISTRIBUTION OF THE MATERIAL CONTAINED HEREIN, UNLESS SPECIFICALLY AUTHORIZED BY GCX CORPORATION, IS EXPRESSLY FORBIDDEN AND WOULD VIOLATE THE RIGHTS AND INTERESTS OF GCX CORPORATION.



Model: Low Profile Universal TV Mount 32" to 60"
Category: Bracket
Subcategory: Television, Wall, Flat Panel
Manufacturer: SIIG, Inc.
Catalog #: CE-MT0612-S1

Atta 3 ID: BRK-A977B

Low Profile Universal bracket for 32 to 60 inch displays, up to 165 lbs. Large rectangular shaped access holes for cable routing and wiring access. 2mm thick heavy-gauge steel construction with powder coated black finish. Mounts TV just 1.4 inches from the wall. Sliding bracket design allows for horizontal adjustment (even after installation).

General Production Detail

Arch Sig: Yes	Spatial Sig: No
Arch Code: 01-Fixed Equipment	ADA: No
Critical Path: No	Antimicrobial: No
Type: Non-Medical	Green: No
Furnish Install: Owner / Contractor	

Physical Requirements

Width (in.): 32.3000	Left (in.): N/A
Depth (in.): 1.2000	Right (in.): N/A
Height (in.): 19.5000	Front (in.): N/A
Product Weight (lbs): 6.6000	Back (in.): N/A
Max Operating Weight (lbs):	Top (in.): N/A
Mounting: Wall	Bottom (in.): N/A
Specification notes:	

Structural Requirements

Seismic: No	OPA #:
	Pre-Approval:
Structural notes:	

Technology Requirements

Patient Data: No	Network:
Connection Type: N/A	System:
Technical Connection notes:	

Electrical Requirements

Volts:	Watts: N/A
Hz: N/A	Amps: N/A
KVA:	Circuit: No
UPS: N/A	Plug Type: N/A
Emerg. Power: No	Plug Detail:
Other Volts Avail.: No	Electrical Phase: N/A
BTU/hr: N/A	
Electrical notes:	

Utility Requirements

Water - Cold: No	Gas Type:
Water - Hot: No	Gas Location:
Water - Treated: No	Medical Gas: No
Drain: No	Vent Type:
Drain Location:	Heat Dissipation: N/A
Steam: No	Dissipation Type: Actual
Vacuum - Den. / Med.: No/No	
Plumbing notes:	
Mechanical notes:	

Locations

Level	Arch Dept	Room	Room #	Status	Item Qty	Ext Total Config
Level 7	Patient Care Support	Multipurpose Room	7506	New	1	\$69.99

Total: 1



Low-Profile Universal TV Mount - 32" to 60"

CE-MT0612-S1

Low-profile universal fixed LCD/Plasma TV wall-mount



Specifications

- Product dimensions: (H x W x D) 19.5" x 32.3" x 1.2" (49.4 x 82.0 x 30 cm)
- Product weight: 6.6 lbs (3.0 kgs)
- Product color: Black
- TV/Display/Monitor mounting:
 - VESA standard mounting holes (75/100/200, 100 x 200, 300x300, 400x200, 400x300, 400x400, 600x200, 600x300 & 600x400)
 - Universal mounting patterns: Height: 75mm to 455mm (3.0" to 17.9"), Width: 50mm to 790mm (2.0" to 31.1")
- Screen size support: 32" to 60"
- Weight capacity: up to 165 lbs
- Certifications/Standards: RoHS
- Warranty: 5 years
- Country of origin: China

Description

SIIG's Low-Profile Universal TV Mount - 32" to 60" is designed to accommodate flat-panel TVs from 32" to 60" with weights up to 165 lbs. This low profile flat-panel TV Mount is made of 2mm thick heavy-gauge steel with powder coated black finish for durability and mounts the TV just 1.4" from the wall for a clean low-profile installation. Additional features include a built-in bubble level for easy installation, sliding bracket design for convenient horizontal adjustment (even after installation), and safety screws to secure the TV and ensure a solid connection to the wall mount. The Low-Profile Universal TV Mount - 32" to 60" is the perfect accessory to free up space and to compliment your display with a clean, sleek and professional appearance.

Features

- Low-profile universal mounting bracket design fits LCD/Plasma flat-panel TVs from 32" to 60" and up to 165 lbs. (75 kgs).
- Mounts TV just 1.4 inches from the wall for a clean/low-profile installation
- Large rectangular shaped access holes for easy cable routing and wiring access
- Built-in bubble level for easy installation
- 2mm thick heavy-gauge steel construction with powder coated black finish for durability
- Sliding bracket design makes installation easy and allows for horizontal adjustment (even after installation)
- Safety screws ensure secure TV position to wall bracket and avoids movement
- Tested to meet and exceed UL standards



Model: 1 Gallon Bottle Mount w/ Security Cable
Category: Bracket
Subcategory: Container, Pharmaceutical Waste
Manufacturer: Rx Destroyer Pharmaceutical Disposal
Catalog #: RX1.0WALLSEC

Atta 3 ID: BRK-AF619

Pharmaceutical waste container bracket. Features: Wall mounted, holds 1 gal. bottle, includes security cable. Order Rx Destroyer product separately. **No spec sheet. Dimensions used are from the product page on the Supplier website. Contact the Supplier for more information.

General Production Detail

Arch Sig: Yes	Spatial Sig: No
Arch Code: 01-Fixed Equipment	ADA: No
Critical Path: No	Antimicrobial: No
Type: Medical	Green: No
Furnish Install: Owner / Contractor	

Physical Requirements

Width (in.): 7.7500	Left (in.): N/A
Depth (in.): 6.0000	Right (in.): N/A
Height (in.): 5.2500	Front (in.): N/A
Product Weight (lbs): 1.3500	Back (in.): N/A
Max Operating Weight (lbs):	Top (in.): N/A
Mounting: Wall	Bottom (in.): N/A
Specification notes:	

Structural Requirements

Seismic: No	OPA #:
	Pre-Approval:
Structural notes:	

Technology Requirements

Patient Data: No	Network:
Connection Type: N/A	System:
Technical Connection notes:	

Electrical Requirements

Volts:	Watts: N/A
Hz: N/A	Amps: N/A
KVA:	Circuit: No
UPS: N/A	Plug Type: N/A
Emerg. Power: No	Plug Detail:
Other Volts Avail.: No	Electrical Phase: N/A
BTU/hr: N/A	
Electrical notes:	

Utility Requirements

Water - Cold: No	Gas Type:
Water - Hot: No	Gas Location:
Water - Treated: No	Medical Gas: No
Drain: No	Vent Type:
Drain Location:	Heat Dissipation: N/A
Steam: No	Dissipation Type: Actual
Vacuum - Den. / Med.: No/No	
Plumbing notes:	
Mechanical notes:	

Locations

Level	Arch Dept	Room	Room #	Status	Item Qty	Ext Total Config
Level 7	Pharmacy	Med Room	7521, 7716, 7821	New	1	\$207.00

Total: 3



Model:Paramount Articulating (for 39" to 75" Displays)
Category: Bracket
Subcategory: Television, Wall, Flat Panel
Manufacturer:Peerless-AV
Catalog #: PA750

Atta 3 ID: BRK-CD2D0

Flat panel television wall bracket. Features: For 39 to 75 in. displays, extend the display up to 21.35 in. or fully-retract it to 3 in., Hook-and-Hang system and ratcheting handle. +15/-5 degrees of tilt, up to ±90 degrees of pivot, ±5 degrees of roll and I-shaped adaptor plate. Includes all wall and display attachment hardware. 100 lbs. load capacity. UL listed.

General Production Detail

Arch Sig: Yes	Spatial Sig: No
Arch Code: 01-Fixed Equipment	ADA: No
Critical Path: No	Antimicrobial: No
Type: Non-Medical	Green: No
Furnish Install: Owner / Contractor	

Physical Requirements

Width (in.): 24.3800	Left (in.): N/A
Depth (in.): 21.3500	Right (in.): N/A
Height (in.): 16.7500	Front (in.): N/A
Product Weight (lbs): 16.7500	Back (in.): N/A
Max Operating Weight (lbs):	Top (in.): N/A
Mounting: Wall	Bottom (in.): N/A
Specification notes:	

Structural Requirements

Seismic: Yes	OPA #:
	Pre-Approval:
Structural notes:	

Technology Requirements

Patient Data: No	Network:
Connection Type: N/A	System:
Technical Connection notes:	

Electrical Requirements

Volts:	Watts: N/A
Hz: N/A	Amps: N/A
KVA:	Circuit: No
UPS: N/A	Plug Type: N/A
Emerg. Power: No	Plug Detail:
Other Volts Avail.: No	Electrical Phase: N/A
BTU/hr: N/A	
Electrical notes:	

Utility Requirements

Water - Cold: No	Gas Type:
Water - Hot: No	Gas Location:
Water - Treated: No	Medical Gas: No
Drain: No	Vent Type:
Drain Location:	Heat Dissipation: N/A
Steam: No	Dissipation Type: Actual
Vacuum - Den. / Med.: No/No	
Plumbing notes:	
Mechanical notes:	

Locations

Level	Arch Dept	Room	Room #	Status	Item Qty	Ext Total Config
Level 7	Critical Care	Critical Care - Isolation	714, 715, 716, 717	New	1	\$471.80
Level 7	Progressive Care	Progressive Care	701, 702, 703, 704, 705, 706, 707, 708, 709, 710, 711, 712	New	1	\$1,415.40
Level 7	Critical Care	Critical Care	718, 719, 722, 723, 724, 725, 726, 727, 728, 729, 730, 731, 732, 733, 734	New	1	\$1,769.25

Total: 31

PA750



Mounting Pattern
600 x 400mm
(23.62" x 15.75")

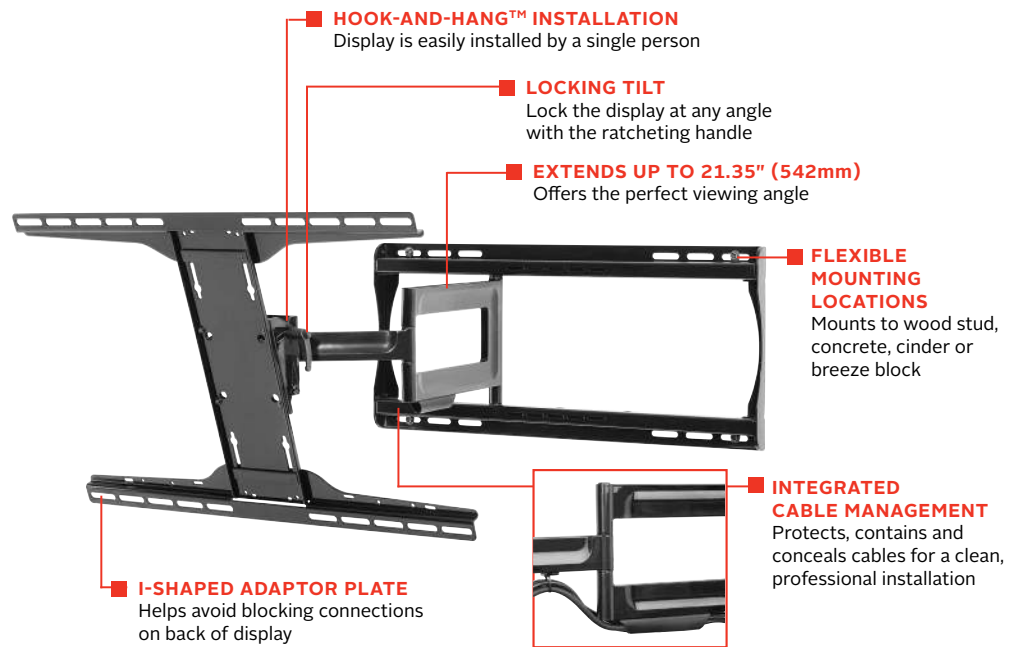


Max Load
100lb
(45kg)

PARAMOUNT™ Articulating Wall Mount FOR 39" TO 75" DISPLAYS

The Paramount™ series wall mounts provide versatile and multi-functional features. With PA750, extend the display up to 21.35" (542mm) or fully-retract it to just 3.00" (76mm) from the wall for the perfect viewing angle. The Hook-and-Hang™ system offers easy, one-person installation of the display. A ratcheting handle provides locking tilt capability for quick adjustments to the amount of tilt, reducing glare and optimizing the viewing angle. Integrated cable management protects, contains and conceals cables for a clean installation.

- Universal mount accommodates 200 x 100 to 600 x 400mm VESA® mounting patterns
- Extends 21.35" (542mm) from the wall
- Retracts to 3.00" (76mm) to save space
- +15/-5° of tilt for optimal viewing angles
- Up to ±90° of pivot allows for perfect display positioning
- ±5° of roll for post installation display leveling
- Includes all necessary wall and display attachment hardware
- Design is UL listed and tested to four times stated load capacity



Please visit peerless-av.com/en-us/patents for patent information.



Swivel, tilt, extend or retract the display for the perfect viewing angle.



Comes in color packaging with included installation hardware and easy to follow instructions.

✉ info@peerless-av.com
🌐 peerless-av.com

peerless-AV®
Driving Technology Through Innovation

PA750	Paramount™ Articulating Wall Mount for 39" to 75" Displays
--------------	--

Product Specifications

	DIMENSIONS (W x H x D)	PRODUCT WEIGHT	LOAD CAPACITY	FINISH	AVAILABLE COLORS
PA750	24.38" x 16.75" x 3.00"-21.35" (619 x 425 x 76-542mm)	16.75lb (7.60kg)	100lb (45kg)	Scratch Resistant Fused Epoxy	Gloss Black

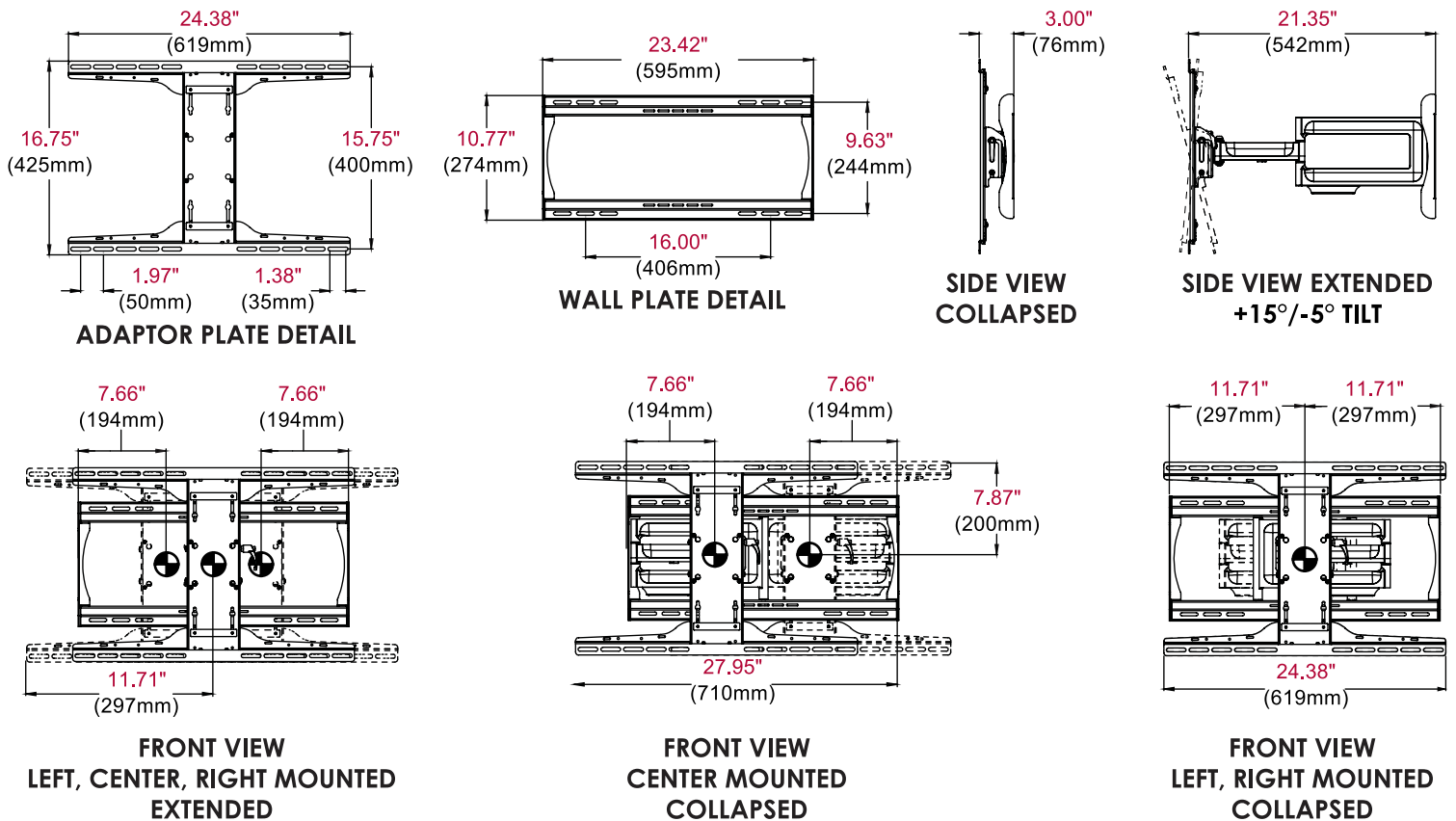
Package Specifications

	PACKAGE SIZE (W x H x D)	PACKAGE SHIP WEIGHT	PACKAGE UPC CODE	PACKAGE CONTENTS	UNITS IN PACKAGE
PA750	27.50" x 4.31" x 13.88" (699 x 109 x 353mm)	19.00lb (8.62kg)	735029308393	Wall Mount, Wall and Display Installation Hardware, Installation Instructions	1

Accessories

ACC-UCM: Universal AV Component Mount
ESHV models: AV Wall Shelves

All dimensions = inch (mm)



Architect Specifications

The Paramount™ Articulating Wall Mount shall be a Peerless-AV model PA750 and shall be located where indicated on the plans. Assembly and installation shall be done according to instructions provided by the manufacturer.

Visit peerless-av.com to see the complete line of AV solutions from Peerless-AV, including outdoor displays, wireless, kiosks, digital audio, display mounts, projector mounts, carts/stands, and a full assortment of accessories.

Peerless-AV
 2300 White Oak Circle
 Aurora, IL 60502 USA
(800) 865-2112
(630) 375-5100
Fax: (800) 359-6500

Peerless-AV EMEA
 Unit 3 Watford Interchange
 Colonial Way, Watford
 Herts, WD24 4WP
 United Kingdom
+44 (0) 1923 200100
Fax: +44 (0) 1923 200101

Peerless-AV Latin America
 Ave de las Industrias 413
 Parque Industrial Escobedo
 Escobedo, N.L.,
 Mexico 66062
+52 (81) 8384-8300
Fax: +52 (81) 8384-8360





Model: 65652-155 Guardian Ring Bracket (1200cc)
Category: Bracket
Subcategory: Canister, Suction, Wall Mount
Manufacturer: Cardinal Health - Medical
Catalog #: 65652-155/ 65652-145

Atta 3 ID: BRK-D25E5

Ring bracket without internal on-off valve. Configured with wall plate (#65652-145). For 1200cc disposable suction canister. Has preattached tubing for connection to canister.

General Production Detail

Arch Sig: Yes	Spatial Sig: No
Arch Code: 01-Fixed Equipment	ADA: No
Critical Path: No	Antimicrobial: No
Type: Medical	Green: No
Furnish Install: Owner / Owner	

Physical Requirements

Width (in.): 6.0000	Left (in.): N/A
Depth (in.): 7.7500	Right (in.): N/A
Height (in.): 7.0000	Front (in.): N/A
Product Weight (lbs): 1.0000	Back (in.): N/A
Max Operating Weight (lbs):	Top (in.): N/A
Mounting: Wall	Bottom (in.): N/A
Specification notes:	

Structural Requirements

Seismic: No	OPA #:
	Pre-Approval:
Structural notes:	

Technology Requirements

Patient Data: No	Network:
Connection Type: N/A	System:
Technical Connection notes:	

Electrical Requirements

Volts:	Watts: N/A
Hz: N/A	Amps: N/A
KVA:	Circuit: No
UPS: N/A	Plug Type: N/A
Emerg. Power: No	Plug Detail:
Other Volts Avail.: No	Electrical Phase: N/A
BTU/hr: N/A	
Electrical notes:	

Utility Requirements

Water - Cold: No	Gas Type:
Water - Hot: No	Gas Location:
Water - Treated: No	Medical Gas: No
Drain: No	Vent Type:
Drain Location:	Heat Dissipation: N/A
Steam: No	Dissipation Type: Actual
Vacuum - Den. / Med.: No/No	
Plumbing notes:	
Mechanical notes:	

Locations

Level	Arch Dept	Room	Room #	Status	Item Qty	Ext Total Config
Level 7	Progressive Care	Progressive Care	701, 702, 703, 704, 705, 706, 707, 708, 709, 710, 711, 712	New	4	\$662.88
Level 7	Critical Care	Critical Care	718, 719, 722, 723, 724, 725, 726, 727, 728, 729, 730, 731, 732, 733, 734	New	4	\$828.60
Level 7	Critical Care	Critical Care - Isolation	714, 715, 716, 717	New	4	\$220.96
Level 7	Critical Care	Critical Care - Patient of Size	720	New	4	\$55.24

Ring brackets

Support devices used to configure your Guardian™ Suction Canister System.

Ring brackets

Reusable ring brackets are constructed of durable polycarbonate for years of maintenance-free use.

Brackets slide into a wall plate or roll stand. 1 each.



Guardian™ Ring Bracket

Guardian™ Ring Bracket

Reusable polycarbonate bracket used to support the Guardian™ Canister in any slide mount such as the wall plate or mobile suction cart. Has preattached tubing for connection to canister.

65652-155 Used with 1200cc disposable canister
Wall to outer edge of ring: 7 ¾ in.

65652-135 Used with 2000 and 3000cc disposable canister
Wall to outer edge of ring: 9 ½ in.



Guardian™ Close-to-Wall Ring Bracket

Guardian™ Close-to-Wall Ring Bracket

Reusable polycarbonate bracket used to support the Guardian™ Canister in any slide mount such as the wall plate or mobile suction cart. Designed to be close to the wall.

65652-148 Used with 1200cc disposable canister
Wall to outer edge of ring: 6 ¾ in.

65652-168 Used with 2000 and 3000cc disposable canister
Wall to outer edge of ring: 9 ½ in.



Guardian™ Ring Bracket with built-in on/off valve

Guardian™ Ring Bracket with built-in on/off valve

Reusable polycarbonate bracket used to support the Guardian™ Canister in any slide mount such as the wall plate or mobile suction cart. Comes with on/off valve built into bracket. Has preattached tubing for connection to canister.

65652-159 Used with 1200cc disposable canister
Wall to outer edge of ring: 7 ¾ in.

65652-139 Used with 2000 and 3000cc disposable canister
Wall to outer edge of ring: 9 ½ in.



Guardian™ Ring Bracket Extended for Regulator

Guardian™ Ring Bracket Extended for Regulator

Reusable polycarbonate bracket used to support the Guardian™ Canister in any slide mount such as the wall plate or mobile suction cart. Used to mount regulator on ring bracket.

65652-143 Used with 1200cc disposable canister
Wall to outer edge of ring: 9 ½ in.

65652-144 Used with 2000 and 3000cc disposable canister
Wall to outer edge of ring: 10 in.



Guardian™ Ring Bracket Extended for Regulator (with D.I.S.S. and hose assembly)

Guardian™ Ring Bracket Extended for Regulator (with D.I.S.S. and hose assembly)

Used to mount regulator on bracket assembly. Comes with the following preattached: 65652-131– universal female D.I.S.S. Has preattached tubing for connection to canister.

65652-173 Used with 1200cc disposable canister
Wall to outer edge of ring: 9 ½ in.

65652-174 Used with 2000 and 3000cc disposable canister
Wall to outer edge of ring: 10 ¼ in.

D.I.S.S. connection accessories

Allow use with standard vacuum regulator Diameter Index Safety System (D.I.S.S.) connections.



Universal female D.I.S.S.

Universal female D.I.S.S.

Used to support a regulator on a ring bracket or roll stand or to suspend a regulator ring bracket from a regulator. 1/8 in. national pipe thread plastic adapter.

Cat. No.	Qty.
65652-131	1/ea



Male D.I.S.S. (metal)

Male D.I.S.S. (metal)

Metal replacement for plastic adapter. 1/8 in. national pipe thread metal adapter.

Cat. No.	Qty.
65652-137	1/ea

Wall plate and adapter

Attachment devices for use with ring brackets.



Wall plate

Wall plate

Used to attach ring brackets to a vertical surface. Predrilled with four 1/4 in. holes.

Cat. No.	Qty.
65652-145	1/ea



Variable height adaptor

Variable height adaptor (low boy)

Used with existing wall plate to attach ring brackets at varying heights below the original wall plate height.

Cat. No.	Qty.
65652-134	1/ea

Bracket

Support device for a regulator.



Regulator bracket

Regulator bracket

Used to attach regulator to wall plate or mobile suction cart.

Cat. No.	Qty.
65652-149	1/ea

Model: 19" Seis Ch w/8x8" M Series Articulating Pivot
Category: Bracket
Subcategory: Monitor, Wall
Manufacturer: GCX Corporation
Catalog #: WC-0002-05 / WMM-0002-05

Atta 3 ID: BRK-E6A0E



19 inch seismic wall channel with 8x8 inch M series articulating arm with slide-in mounting plate. Designed for Mindray Passport 12 monitor. Arm offers swivel/tilt adjustments and 3 pivot points for lateral adjustability. Cable management. 5 inch quick release slide-in mounting adapter for rear or bottom mounted devices. Total Arm Maximum Load: 30 lbs.

General Production Detail

Arch Sig: Yes	Spatial Sig: No
Arch Code: 01-Fixed Equipment	ADA: No
Critical Path: No	Antimicrobial: No
Type: Non-Medical	Green: No
Furnish Install: Owner / Contractor	

Physical Requirements

Width (in.): 8.0000	Left (in.): N/A
Depth (in.): 20.5000	Right (in.): N/A
Height (in.): 19.0000	Front (in.): N/A
Product Weight (lbs): 35.5000	Back (in.): N/A
Max Operating Weight (lbs):	Top (in.): N/A
Mounting: Wall	Bottom (in.): N/A
Specification notes:	

Structural Requirements

Seismic: Yes	OPA #: OPM-0165-13
Pre-Approval:	
Structural notes:	

Technology Requirements

Patient Data: No	Network:
Connection Type: N/A	System:
Technical Connection notes:	

Electrical Requirements

Volts:	Watts: N/A
Hz: N/A	Amps: N/A
KVA:	Circuit: No
UPS: N/A	Plug Type: N/A
Emerg. Power: No	Plug Detail:
Other Volts Avail.: No	Electrical Phase: N/A
BTU/hr: N/A	
Electrical notes:	

Utility Requirements

Water - Cold: No	Gas Type:
Water - Hot: No	Gas Location:
Water - Treated: No	Medical Gas: No
Drain: No	Vent Type:
Drain Location:	Heat Dissipation: N/A
Steam: No	Dissipation Type: Actual
Vacuum - Den. / Med.: No/No	
Plumbing notes:	
Mechanical notes:	

Locations

Level	Arch Dept	Room	Room #	Status	Item Qty	Ext Total Config
Level 7	Pharmacy	Med Room	7521, 7716, 7821	New	1	\$1,170.00
Level 7	Critical Care	Critical Care	718, 719, 722, 723, 724, 725, 726, 727, 728, 729, 730, 731, 732, 733, 734	New	1	\$5,850.00
Level 7	Progressive Care	Progressive Care	701, 702, 703, 704, 705, 706, 707, 708, 709, 710, 711, 712	New	1	\$4,680.00
Level 7	Critical Care	Critical Care - Isolation	714, 715, 716, 717	New	1	\$1,560.00

Level	Arch Dept	Room	Room #	Status	Item Qty	Ext Total Config
Level 7	Critical Care	Critical Care - Patient of Size	720	New	1	\$390.00

Total: 35

Mindray Passport 12 - M Series Articulating Arm

Please note: Requires Mindray-supplied Adapter Plate (Part Number 045-000954-00)

PRODUCT DETAILS

8 x 8"/20.3 x 20.3 cm M Series Articulating Arm with Slide-In Mounting Plate

WMM-0002-05

- Offers a pivot point at the wall channel for lateral adjustability and swivel adjustment
- Features range of motion from flush to full extension, and cable management
- Tilt Mechanism Maximum Load: 30 lbs/13.6 kg
- Two (2) pivot points for lateral adjustability
- Tilt and swivel adjustments
- Range of motion from flush to full extension
- Cable management below the arm
- Tilt range: +12 /-10 degrees
- Total Arm Maximum Load: 30 lb /13.6 kg
- Product Weight: 4.5 lb /2.0 kg



RECOMMENDED ACCESSORIES

19" / 48.3 cm Seismic Channel

WC-0002-05

Masimo P/N:16233

- Seismic channel
- Includes mounting hardware and instructions
- OSHPD Pre-Approval: WC-0002-03, -05, -07, -09, -11, and -15.
- Seismic 19" /48.3 cm wall channel
- Includes mounting hardware and instructions
- OSHPD Pre-Approval: WC-0002-03, -05, -07, -09, -11, and -15

Note: Channel covers not included



GCX is an ISO 13485 registered company (TUV-USA). GCX, PolyMount, and PolyQuip are registered trademarks, and VHRC, VHC, VHM, VHRS, PRC, M Series, and Stor-Locx are trademarks, of GCX Corporation. All other brand names, product names, or trademarks belong to their respective holders. ©2021 GCX Corporation

www.gcx.com

Find this product at <https://www.gcx.com/p/880323>

M Series™ Arms with Slide-In Mounting Plate

FIXED HEIGHT ARMS



Fixed-height arms offering tilt, swivel, pivot, and a variety of front-end device interfaces and back-end mounting interfaces.

- Offers a pivot point at the wall channel for lateral adjustability and swivel adjustment
- Features range of motion from flush to full extension, and cable management
- Tilt Mechanism Maximum Load: 30 lbs/13.6 kg



8" / 20.3 CM PIVOT ARM

12" / 30.5 CM PIVOT ARM

16" / 40.6 CM PIVOT ARM

8 X 8" / 20.3 X 20.3 CM ARTICULATING ARM

12 X 12" / 30.5 X 30.5 CM ARTICULATING ARM

8" / 20.3 cm M Series Pivot Arm with Slide-In Mounting Plate

WMM-0002-01

- Product Weight: 3.0 lb / 1.4 kg
- Total Arm Maximum Load: 60 lbs/27.2 kg
- Maximum Device Weight: 30 lbs/13.6 kg

12" / 30.5 cm M Series Pivot Arm with Slide-In Mounting Plate

WMM-0002-02

- Product Weight: 3.3 lb / 1.5 kg
- Total Arm Maximum Load: 60 lbs/27.2 kg
- Maximum Device Weight: 30 lbs/13.6 kg

16" / 40.6 cm M Series Pivot Arm with Slide-In Mounting Plate

WMM-0002-03

- Product Weight: 3.6 lb / 1.6 kg
- Total Arm Maximum Load: 50 lbs/22.7 kg
- Maximum Device Weight: 30 lbs/13.6 kg

8 x 8" / 20.3 x 20.3 cm M Series Articulating Arm with Slide-In Mounting Plate

WMM-0002-05

- Product Weight: 4.5 lb / 2.0 kg
- Total Arm Maximum Load: 30 lbs/13.6 kg

12 x 12" / 30.5 x 30.5 cm M Series Articulating Arm with Slide-In Mounting Plate

WMM-0002-06

- Product Weight: 4.7 lb / 2.1 kg
- Total Arm Maximum Load: 30 lbs/13.6 kg



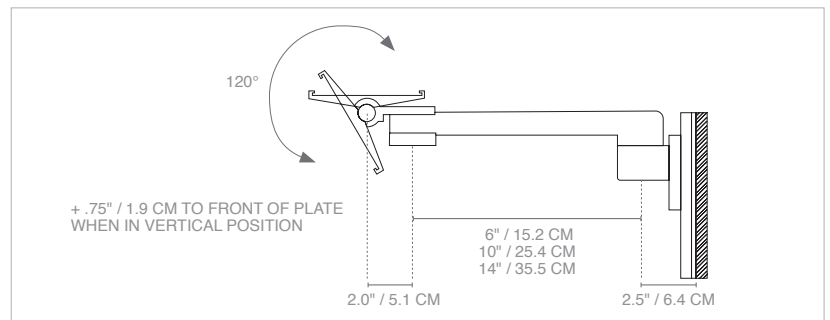
BACK-END MOUNTING INTERFACES



HORIZONTAL POSITIONED MOUNTING PLATE LATERAL RANGE OF MOTION



VERTICAL POSITIONED MOUNTING PLATE LATERAL RANGE OF MOTION





Model: Homecraft Shower Chair (081561893)
Category: Chair, Clinical
Subcategory: Shower, Floor
Manufacturer: Performance Health
Catalog #: 081561893

Atta 3 ID: CHA-25A16

Floor shower clinical chair. Features: 315 pounds weight capacity. Contoured seat and backrest. Tool free assembly with height adjustable legs 16-1/8 to 22 inches. 1 inch heavy-duty anodized aluminum frame. Removable back support and height adjustable legs. **No spec sheet available from Supplier. Dimensions from Product Page on Website has been used. Contact Supplier for more information.

General Production Detail

Arch Sig: No	Spatial Sig: No
Arch Code: 03-Movable Non-Electrical	ADA: No
Critical Path: No	Antimicrobial: No
Type: Medical	Green: No
Furnish Install: Owner / Owner	

Physical Requirements

Width (in.): 17.2500	Left (in.): N/A
Depth (in.): 13.7500	Right (in.): N/A
Height (in.): 44.0000	Front (in.): N/A
Product Weight (lbs): 8.5000	Back (in.): N/A
Max Operating Weight (lbs):	Top (in.): N/A
Mounting: Floor	Bottom (in.): N/A
Specification notes:	

Structural Requirements

Seismic: No	OPA #:
	Pre-Approval:
Structural notes:	

Technology Requirements

Patient Data: No	Network:
Connection Type: N/A	System:
Technical Connection notes:	

Electrical Requirements

Volts:	Watts: N/A
Hz: N/A	Amps: N/A
KVA:	Circuit: No
UPS: N/A	Plug Type: N/A
Emerg. Power: No	Plug Detail:
Other Volts Avail.: No	Electrical Phase: N/A
BTU/hr: N/A	
Electrical notes:	

Utility Requirements

Water - Cold: No	Gas Type:
Water - Hot: No	Gas Location:
Water - Treated: No	Medical Gas: No
Drain: No	Vent Type:
Drain Location:	Heat Dissipation: N/A
Steam: No	Dissipation Type: Actual
Vacuum - Den. / Med.: No/No	
Plumbing notes:	
Mechanical notes:	

Locations

Level	Arch Dept	Room	Room #	Status	Item Qty	Ext Total Config
Level 7	Patient Care Support	Equipment Storage (West)	7822	New	1	\$87.59

Total: 1



Model: Deluxe Bariatric Drop-Arm
Category: Chair, Clinical
Subcategory: Commode, Bariatric
Manufacturer: Drive DeVilbiss Healthcare
Catalog #: 11135-1

Atta 3 ID: CHA-44D2D

Bariatric commode chair. Features 1000 lb. weight capacity, powder-coated steel frame. Padded armrests with drop arm mechanism, pail slides from front. Seat width 23.25in.W x 18.5in.D. Includes 12qt bucket and cover.

General Production Detail

Arch Sig: No	Spatial Sig: No
Arch Code: 03-Movable Non-Electrical	ADA: No
Critical Path: No	Antimicrobial: No
Type: Medical	Green: No
Furnish Install: Owner / Owner	

Physical Requirements

Width (in.): 23.2500	Left (in.): N/A
Depth (in.): 18.5000	Right (in.): N/A
Height (in.): 22.0000	Front (in.): N/A
Product Weight (lbs): 21.0000	Back (in.): N/A
Max Operating Weight (lbs):	Top (in.): N/A
Mounting: Floor	Bottom (in.): N/A
Specification notes:	

Structural Requirements

Seismic: No	OPA #:
	Pre-Approval:
Structural notes:	

Technology Requirements

Patient Data: No	Network:
Connection Type: N/A	System:
Technical Connection notes:	

Electrical Requirements

Volts:	Watts: N/A
Hz: N/A	Amps: N/A
KVA:	Circuit: No
UPS: N/A	Plug Type: N/A
Emerg. Power: No	Plug Detail:
Other Volts Avail.: No	Electrical Phase: N/A
BTU/hr: N/A	
Electrical notes:	

Utility Requirements

Water - Cold: No	Gas Type:
Water - Hot: No	Gas Location:
Water - Treated: No	Medical Gas: No
Drain: No	Vent Type:
Drain Location:	Heat Dissipation: N/A
Steam: No	Dissipation Type: Actual
Vacuum - Den. / Med.: No/No	
Plumbing notes:	
Mechanical notes:	

Locations

Level	Arch Dept	Room	Room #	Status	Item Qty	Ext Total Config
Level 7	Critical Care	Toilet/Shower (Isolation/ADA)	714.1, 715.1, 716.1, 717.1	New	1	\$1,026.28
Level 7	Critical Care	Toilet/Shower (Critical Care)	718.1, 719.1, 722.1, 723.1, 724.1, 725.1, 726.1, 727.1, 728.1, 729.1, 730.1, 731.1, 732.1, 733.1, 734.1	New	1	\$3,848.55
Level 7	Progressive Care	Toilet/Shower (Progressive Care)	701.1, 702.1, 703.1, 704.1, 705.1, 706.1, 707.1, 708.1, 709.1, 710.1, 711.1, 712.1	New	1	\$3,078.84

Deluxe Bariatric Drop-Arm Commode

HCPCS: E0168



FIGURE A

- Easy-to-release arm mechanism allows for safe lateral patient transfers to and from commode
- Durable, heavy-duty, gray powder-coated steel tubing is sturdy and easy-to-maintain
- Large, durable snap-on seat
- Padded armrests provide comfort and stability
- Pail easily slides in from the front of the commode
- Comes complete with 12 qt commode bucket and cover that removes from front
- Weight Capacity 1000 lbs
- Made using recycled materials

PRODUCTS	Description
11135-1	Commode,Oversized DropArm,1/cs

SPECIFICATIONS	Description
Carton Shipping Weight	26 lbs.
Height	17.5" - 22"
Seat Dimensions	23.25" (W) x 18.5" (D)
Warranty	Limited Lifetime
Weight	21 lbs.
Weight Capacity	1000 lbs
Width	25.75" between arms 26.25" Outside

PARTS	Description
RTL10389G	Utility ReplaceTips,1",Grey,RTL,1PR,8/CS, CS
11135B	Back Support Only,11135,1/ea, EA
11120B	Commode Bucket for 11120, 12qt, 1/ea, EA
11135L	Leg for 11135 1Z Serial#,1/ea, EA
11135A	Arm Only for 11135,1/ea, EA
111351Z-S	Seat Only 1Z, 11135,1/ea, EA
11135BRKN	Pail Bracket Set,New,11130/11135,1pair, PR
RTL10389GB	Utility Replac Tip, 1",Gry, 1PC/BL,10/, EA
12002PB	Push Button for Bath Bench,Walker,1/ea, EA



Model: Drive Bariatric Drop-Arm Commode [081134949]
Category: Chair, Clinical
Subcategory: Commode, Bariatric
Manufacturer: Performance Health
Catalog #: 559247

Atta 3 ID: CHA-82F5A

Bariatric commode chair with easy-release, drop arm mechanism. Features large snap-on seat, padded armrests, large backrest, and is constructed of white powder-coated steel tubing. Includes 12-qt. commode bucket, cover, and splash shield that removes from behind. 25.75"W between arms; seat 23.25"W x 18.5"D; floor to seat 17.5"-22"H in 1" increments. Weight capacity: 1000 lbs.

General Production Detail

Arch Sig: No	Spatial Sig: No
Arch Code: 03-Movable Non-Electrical	ADA: No
Critical Path: No	Antimicrobial: No
Type: Medical	Green: No
Furnish Install: Owner / Owner	

Physical Requirements

Width (in.): 26.2500	Left (in.): N/A
Depth (in.): 20.0000	Right (in.): N/A
Height (in.): 29.0000	Front (in.): N/A
Product Weight (lbs): 24.6000	Back (in.): N/A
Max Operating Weight (lbs):	Top (in.): N/A
Mounting: Floor	Bottom (in.): N/A
Specification notes:	

Structural Requirements

Seismic: No	OPA #:
	Pre-Approval:
Structural notes:	

Technology Requirements

Patient Data: No	Network:
Connection Type: N/A	System:
Technical Connection notes:	

Electrical Requirements

Volts:	Watts: N/A
Hz: N/A	Amps: N/A
KVA:	Circuit: No
UPS: N/A	Plug Type: N/A
Emerg. Power: No	Plug Detail:
Other Volts Avail.: No	Electrical Phase: N/A
BTU/hr: N/A	
Electrical notes:	

Utility Requirements

Water - Cold: No	Gas Type:
Water - Hot: No	Gas Location:
Water - Treated: No	Medical Gas: No
Drain: No	Vent Type:
Drain Location:	Heat Dissipation: N/A
Steam: No	Dissipation Type: Actual
Vacuum - Den. / Med.: No/No	
Plumbing notes:	
Mechanical notes:	

Locations

Level	Arch Dept	Room	Room #	Status	Item Qty	Ext Total Config
Level 7	Critical Care	Toilet/Shower (Patient of Size)	720.1	New	1	\$274.89

Total: 1



Toileting > Drop Arm Commodes

homecraft

Deluxe Bariatric Drop Arm Commode.

Deluxe Bariatric Drop Arm Commode has convenient, easy to release drop arm mechanisms to simplify entry/exit for the user and maintains safety. Durable steel tube frame with large plastic contoured seat, plastic molded armrests and adjustable legs. Seat snaps on for easy cleaning. Includes commode pail, splash guard and lid.

081706381 \$219.95



Specifications:

Base	30" W - 20" D
Seat	23" W x 18 1/2" D
Width Between Handrails	17 3/4" - 20 3/4"
Floor to Seat	19"-23"H in 1" increments
Seat Opening	8 1/2" W - 10 1/2" D
Weight	23.4
Capacity	1000 lbs.

homecraft

Homecraft Heavy Duty Drop Arm Commode.

Convenient drop arms simplify entry/exit for the user and maintain safety. Foam grips add support and comfort. Easy to clean, thanks to clip on/off seat and cover. Includes pail, splash guard and lid.

081611110 \$199.35



Specifications:

Capacity	500 lbs.	Seat	14"
Between arms	29" W	Seat Depth	16 3/4"
Floor to Seat	17 3/4" - 20 3/4"	Seat Opening	8" W - 9 3/4" D
Overall Depth	22 5/8"	Seat to arm	7 1/2"
Overall Height	25 1/4" - 28 1/4"	Seat Width	14"
Overall Width	31 1/2"		

Drop Arm Commode.

Durable chrome-plated steel commode with side arms that drop out of the way for transfers. Can also be used over standard toilets as a raised toilet seat or toilet frame. Includes 6-gallon commode pan and cover.

A92405 \$303.95



Specifications:

Base	21 1/2" W x 16 1/2" D
Between arms	18 1/2" W
Floor to Seat	19 3/8" - 23 3/8" H
Overall Height	26 3/4" - 30 3/4"
Seat	13 3/8" W x 17" D
Seat Opening	8 1/4" W x 10" D
Seat to arm	8" H
Capacity	250 lbs.

drive

Drive® Bariatric Drop Arm Commode. Safe lateral transfers are ensured because of easy-release, drop-arm mechanism. White, powder-coated steel tubing is sturdy and easy to maintain. Also features large, durable snap-on seat, padded armrests and large backrest. Comes complete with 12-qt. commode bucket and cover that removes from behind.

559247 \$232.30



Specifications:

Base	26 1/4" W x 20" D
Between arms	25 3/4" W
Floor to Seat	17 1/2" - 22" H in 1" increments
Seat	23 1/4" W x 18 1/2" D
Seat Opening	8" W x 10" D
Seat to arm	7" H
Capacity	1000 lbs.

Toileting

1262

Call toll-free 1.800.323.5547

fax 1.800.547.4333



Model: Supra X Medium Back Task Stool, Armless
Category: Chair, Office
Subcategory: Task, w/o Arms
Manufacturer: Global Furniture Group
Catalog #: 5339-6

Atta 3 ID: CHO-D3E4F

Task stool with medium back, armless. Features: Pneumatic seat height, Adjustable seat depth, Waterfall seat edge, Contoured seat and back cushions, Impact resistant outer back shell, Standard five-legged "spider base" w/C65 casters. Specify fabric/optional finishes when ordering. Greenguard and level certified.

General Production Detail

Arch Sig: No	Spatial Sig: No
Arch Code: 05-Furniture	ADA: No
Critical Path: No	Antimicrobial: No
Type: Non-Medical	Green: Yes
Furnish Install: Owner / Owner	

Electrical Requirements

Volts:	Watts: N/A
Hz: N/A	Amps: N/A
KVA:	Circuit: No
UPS: N/A	Plug Type: N/A
Emerg. Power: No	Plug Detail:
Other Volts Avail.: No	Electrical Phase: N/A
BTU/hr: N/A	
Electrical notes:	

Physical Requirements

Width (in.): 20.0000	Left (in.): N/A
Depth (in.): 25.0000	Right (in.): N/A
Height (in.): 46.5000	Front (in.): N/A
Product Weight (lbs): 34.0000	Back (in.): N/A
Max Operating Weight (lbs):	Top (in.): N/A
Mounting: Floor - Mobile	Bottom (in.): N/A
Specification notes:	

Utility Requirements

Water - Cold: No	Gas Type:
Water - Hot: No	Gas Location:
Water - Treated: No	Medical Gas: No
Drain: No	Vent Type:
Drain Location:	Heat Dissipation: N/A
Steam: No	Dissipation Type: Actual
Vacuum - Den. / Med.: No/No	
Plumbing notes:	
Mechanical notes:	

Structural Requirements

Seismic: No	OPA #:
	Pre-Approval:
Structural notes:	

Technology Requirements

Patient Data: No	Network:
Connection Type: N/A	System:
Technical Connection notes:	

Locations

Level	Arch Dept	Room	Room #	Status	Item Qty	Ext Total Config
Level 7	Critical Care	Viewing Alcove	714.3, 716.3, 718.2, 720.2, 722.2, 724.2, 725.2, 727.2, 728.2, 730.2, 731.2, 733.2	New	1	\$12,924.00
Level 7	Progressive Care	Viewing Alcove	701.2, 703.2, 705.2, 707.2, 709.2, 711.2	New	1	\$6,462.00

Total: 18



Supra X™ Medium Back Task Stool, Armless (5339-6)



Supra X is the perfect complement of affordable ergonomic task seating designed for contemporary appearance and comfort.

- Famous seating designer Zoocy Chu was commissioned to create the ultimate chair.
- One that would stand up to the rigors of office use, but also offer exceptional comfort, value and style.
- To do this he has incorporated many user adjustments that allow the chair to be custom-fitted for personal seating preferences and work functions.

Dimensions: W20 x D25 x H46.5 IN.

ergonomic features:



Seat Height

Raise or lower to allow your feet to rest flat on the floor. Avoids pressure under your thighs, easing blood flow.



Waterfall Seat Edge

Reduces pressure at the back of the knee, contributing to good blood flow.



Properly Contoured Cushions

Support the body effectively, allowing you to sit longer without discomfort.



Width Adjustable Arms

Allows outward movement of armrests to match shoulder breadth. Ensures armrests properly support forearms, reducing muscular effort in neck and shoulders.

SUPRA X™



model 5336-3 (UG)



model 5336-5



Impact Resistant Back
All models are standard with an impact resistant back cover, in Black Only.



model 5337-6



Optional Base
An optional five-legged, arched metal base in Tungsten finish is available. (No Cover Can Used) Specify (UG). Add \$63

STANDARD FEATURES

- Ergonomic office seating with height adjustable lumbar support.
- Control knobs on the outside of the back allow the adjustment of the lumbar support.
- An impact resistant outer back shell adds a distinctive look to this series and protects against damage.
- Height and depth adjustable lumbar support.
- Standard with adjustable height forward swept arms with kidney shaped urethane armcaps (SC).
- Base and frame are standard in Black (BK).
- All models are standard with a five-legged, injection molded "spider" base.
- C65 casters are standard.

OPTIONAL FEATURES

- Please refer to "Arms Selection" section of the price book for arm options.
- Please refer to "Cylinder Selection" section of the price book for additional cylinder options.
- Please refer to the "Casters Selection" section of the price book for caster options. Optional casters may be priced higher than the standard casters for your chair and the difference will be charged. Lower priced optional casters will not be credited.
- For hard surface flooring casters, please specify C65R casters. Add \$51
- For availability of chair series in Vinyl, please contact a Global Sales Representative. Not available in Leather/Mock Leather combination (Grade 5).
- Vari-Width Adapter Plate (WA) is standard when chair is ordered with adjustable height arms. Allows each arm to move outward an additional 2" (for a total of 4" extra seat width) and locks with the use of an easy to maneuver lever (WA).
- For fully assembled in box, please specify SU. Add \$55.

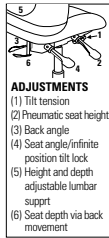
DESCRIPTION FEATURES MODEL# STANDARD TEXTILE GRADES



5333-3



5333L-3



ADJUSTMENTS
(1) Tilt tension
(2) Pneumatic seat height
(3) Back angle
(4) Seat angle/infinite position tilt lock
(5) Height and depth adjustable lumbar support
(6) Seat depth via back movement

HB Multi - Tilter
COM Yardage: 1.50
Freight Class: 150
Product Weight (lbs.): 50
Cubic Feet Per Carton: 9.75

Ergonomic Features:
A, B, C, E, G, H, M, N, S

	1	2	3	4	5	6	7	8	9	10	11	12
5333-3	799	840	872	920	989	1013	1073	1188	1242	1349	1492	1671

OVERALL DIMENSIONS			SEAT DIMENSIONS			BACK DIMENSIONS	
W	D	H	W	D	H	W	H
26	26.5	41	20	19-20	16-20	18	23.5

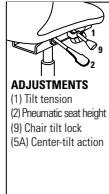
RTA 2



5333-4



5333L-4



ADJUSTMENTS
(1) Tilt tension
(2) Pneumatic seat height
(9) Chair tilt lock
(5A) Center-tilt action

HB Tilter
COM Yardage: 1.50
Freight Class: 150
Product Weight (lbs.): 47
Cubic Feet Per Carton: 9.75

Ergonomic Features:
A, B, C, E, H, M, N, S

	1	2	3	4	5	6	7	8	9	10	11	12
5333-4	744	785	818	867	935	957	1019	1133	1188	1292	1437	1618

OVERALL DIMENSIONS			SEAT DIMENSIONS			BACK DIMENSIONS	
W	D	H	W	D	H	W	H
26	25.5	41.5	21	18-19	16-20	18	23

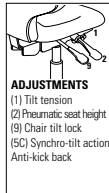
RTA 2



5336-1



5336L-1



ADJUSTMENTS
(1) Tilt tension
(2) Pneumatic seat height
(9) Chair tilt lock
(5C) Synchro-tilt action
Anti-kick back

MB Synchro - Tilter
COM Yardage: 1.25
Freight Class: 150
Product Weight (lbs.): 49
Cubic Feet Per Carton: 9.75


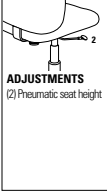


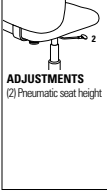

Ergonomic Features:
A, B, C, H, L, M, N, Q

	1	2	3	4	5	6	7	8	9	10	11	12
5336-1	933	970	995	1036	1092	1113	1163	1258	1303	1393	1509	1661

OVERALL DIMENSIONS			SEAT DIMENSIONS			BACK DIMENSIONS	
W	D	H	W	D	H	W	H
26	26.5	37.5	20	19-20	16-20	18	16.5

RTA 2



DESCRIPTION	FEATURES	MODEL#	STANDARD TEXTILE GRADES												
			1	2	3	4	5	6	7	8	9	10	11	12	
 <p>Drafting Chair Task COM Yardage: 1.25 Freight Class: 150 Product Weight (lbs.): 40 Cubic Feet Per Carton: 7.50</p>	 <p>ADJUSTMENTS (Z) Pneumatic seat height</p> <p>Ergonomic Features: C, M, N, Q</p>	5338-6	907	936	955	988	1030	1049	1088	1163	1198	1266	1362	1480	
			OVERALL DIMENSIONS			SEAT DIMENSIONS			BACK DIMENSIONS						
			W	D	H	W	D	H	W	H					
			26	25	46.5	20	18.5-19.5	23.5-33.5	18	19					
			RTA 2												
 <p>Drafting Chair Task Armless COM Yardage: 1.25 Freight Class: 150 Product Weight (lbs.): 34 Cubic Feet Per Carton: 7.50</p>	 <p>ADJUSTMENTS (Z) Pneumatic seat height</p> <p>Ergonomic Features: C, M, N, Q</p>	5339-6	791	818	836	870	914	931	971	1046	1080	1150	1245	1362	
			OVERALL DIMENSIONS			SEAT DIMENSIONS			BACK DIMENSIONS						
			W	D	H	W	D	H	W	H					
			20	25	46.5	20	18.5-19.5	23.5-33.5	18	19					
			RTA 2												

Model: 706700
Category: Clock
Subcategory: Analog, Wall
Manufacturer: Office Max
Catalog #:

Atta 3 ID: CLK-36ECA

General Production Detail

Arch Sig: Yes	Spatial Sig: No
Arch Code: 01-Fixed Equipment	ADA: No
Critical Path: No	Antimicrobial: No
Type: Non-Medical	Green: No
Furnish Install: Owner / Owner	

Electrical Requirements

Volts:	Watts: N/A
Hz: N/A	Amps: N/A
KVA:	Circuit: No
UPS: N/A	Plug Type: N/A
Emerg. Power: No	Plug Detail:
Other Volts Avail.: No	Electrical Phase:
BTU/hr: N/A	
Electrical notes:	

Physical Requirements

Width (in.):	Left (in.): N/A
Depth (in.):	Right (in.): N/A
Height (in.):	Front (in.): N/A
Product Weight (lbs):	Back (in.): N/A
Max Operating Weight (lbs):	Top (in.): N/A
Mounting:	Bottom (in.): N/A
Specification notes:	

Utility Requirements

Water - Cold: No	Gas Type:
Water - Hot: No	Gas Location:
Water - Treated: No	Medical Gas: No
Drain: No	Vent Type:
Drain Location:	Heat Dissipation: N/A
Steam: No	Dissipation Type:
Vacuum - Den. / Med.: No/No	
Plumbing notes:	
Mechanical notes:	

Structural Requirements

Seismic: No	OPA #:
	Pre-Approval:
Structural notes:	

Technology Requirements

Patient Data: No	Network:
Connection Type: N/A	System:
Technical Connection notes:	

Locations

Level	Arch Dept	Room	Room #	Status	Item Qty	Ext Total Config
Level 7	Critical Care	Critical Care - Isolation	714, 715, 716, 717	New	1	\$80.00
Level 7	Progressive Care	Nurse Station	7711, 7812	New	1	\$40.00
Level 7	Critical Care	Nurse Station	7512, 7712, 7811, 7813, 7814	New	1	\$100.00
Level 7	Patient Care Support	Staff Lounge	7518	New	1	\$20.00
Level 7	Critical Care	Critical Care	718, 719, 722, 723, 724, 725, 726, 727, 728, 729, 730, 731, 732, 733, 734	New	1	\$300.00
Level 7	Pharmacy	Med Room	7521, 7716, 7821	New	1	\$60.00
Level 7	Patient Care Support	Nourishment	7514, 7714, 7817	New	1	\$60.00
Level 7	Progressive Care	Progressive Care	701, 702, 703, 704, 705, 706, 707, 708, 709, 710, 711, 712	New	1	\$240.00
Level 7	Critical Care	Critical Care - Patient of Size	720	New	1	\$20.00



Model: Alpha-3GTR
Category: Coffee Maker
Subcategory: Automatic, 3-6 Warmer
Manufacturer: Wilbur Curtis Company
Catalog #: ALP3GTR12A000

Atta 3 ID: COF-A6CD6

Automatic coffee maker with 3 warmers. Decanter brewer features right low profile design; 12 cups finished brew capacity. Features digital control module, factory settings, scroll-through programming, tamper resistant with changeable access code, on-board self diagnostics, banner display, timer with automatic shut-off, LCD display, and graphic interface front panel. Coffee decanters sold separately. Decanter #70180100303 is sold 3/case.

General Production Detail

Arch Sig: Yes	Spatial Sig: No
Arch Code: 01-Fixed Equipment	ADA: No
Critical Path: No	Antimicrobial: No
Type: Non-Medical	Green: No
Furnish Install: Owner / Vendor	

Physical Requirements

Width (in.): 15.8400	Left (in.): N/A
Depth (in.): 20.3800	Right (in.): N/A
Height (in.): 17.1800	Front (in.): N/A
Product Weight (lbs): 29.0000	Back (in.): 6.0000
Max Operating Weight (lbs):	Top (in.): N/A
Mounting: Counter/Cart/Table/Pole	Bottom (in.): N/A
Specification notes:	

Structural Requirements

Seismic: Yes	OPA #:
	Pre-Approval:
Structural notes:	

Technology Requirements

Patient Data: No	Network:
Connection Type: N/A	System:
Technical Connection notes:	

Electrical Requirements

Volts: 120	Watts: 1800.0000
Hz: 60	Amps: 15.0000
KVA:	Circuit: No
UPS: N/A	Plug Type: Type B (Nema 5-15)
Emerg. Power: No	Plug Detail:
Other Volts Avail.: Yes	Electrical Phase: Single Phase
BTU/hr: N/A	
Electrical notes:	

Utility Requirements

Water - Cold: Yes	Gas Type:
Water - Hot: No	Gas Location:
Water - Treated: No	Medical Gas: No
Drain: No	Vent Type:
Drain Location:	Heat Dissipation: N/A
Steam: No	Dissipation Type: Actual
Vacuum - Den. / Med.: No/No	
Plumbing notes:	
Mechanical notes:	

Locations

Level	Arch Dept	Room	Room #	Status	Item Qty	Ext Total Config
Level 7	Patient Care Support	Nourishment	7514, 7714, 7817	New	1	---
Level 7	Patient Care Support	Staff Lounge	7518	New	1	\$1,100.00

Total: 4

G3 Alpha® Decanter Coffee Brewers



ALP3GT12A000

Decanter Coffee Brewer
3 Station with 1 Lower
and 2 Upper Warmers

■ Features

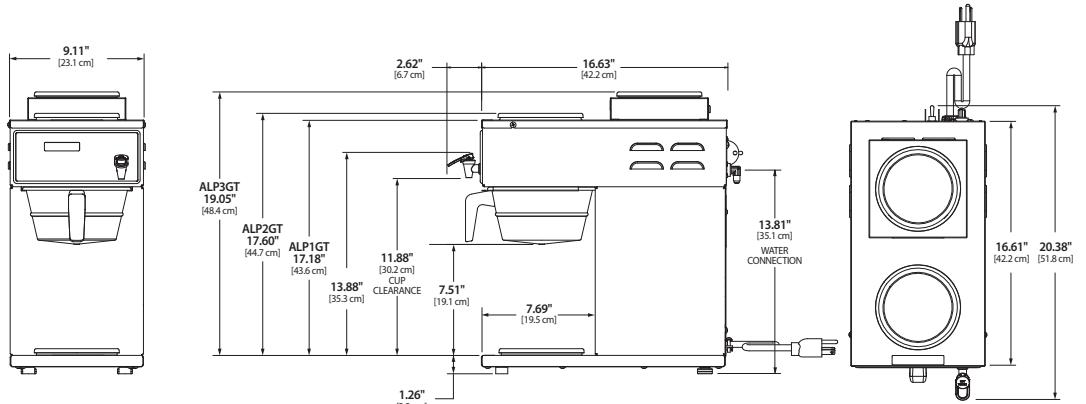
- Encapsulated Generation Three (G3) Digital Control Module
- Intuitive, Scroll-Through Precision Programming
- Easily Adjust Time, Volume, Temperature and More
- Built-In Fine Tuning of Brewing Modes
- Built-In Self Diagnostic System
- Integral Quality Timer and Automatic Warmer Shut-Off
- Cold Water Brew Lock-Out



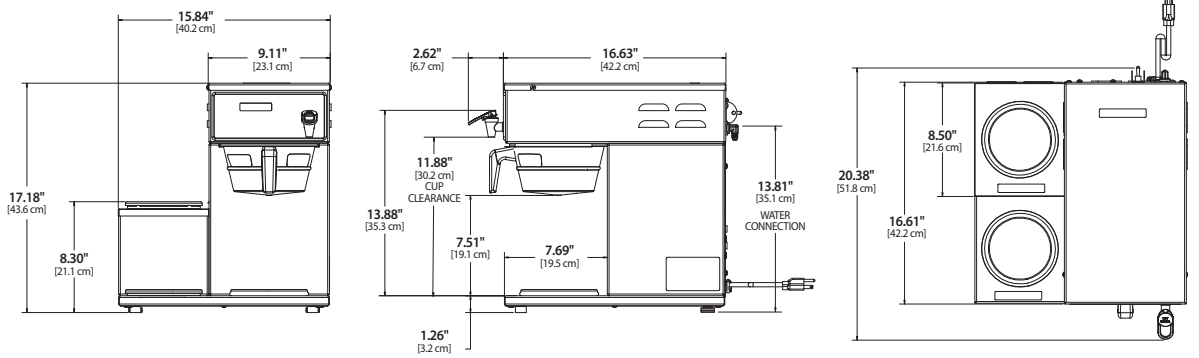
Perfecting the art of brewing since 1941

G3 Alpha® Decanter Coffee Brewers

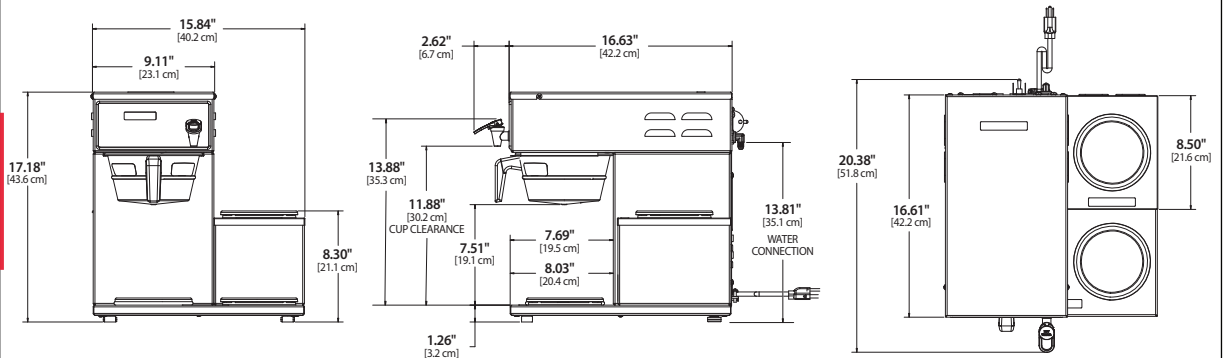
- ALP1GT12A000**
G3 Alpha
1 Station Coffee Brewer
- ALP2GT12A000**
G3 Alpha
2 Station Coffee Brewer
- ALP3GT12A000**
G3 Alpha
3 Station Coffee Brewer



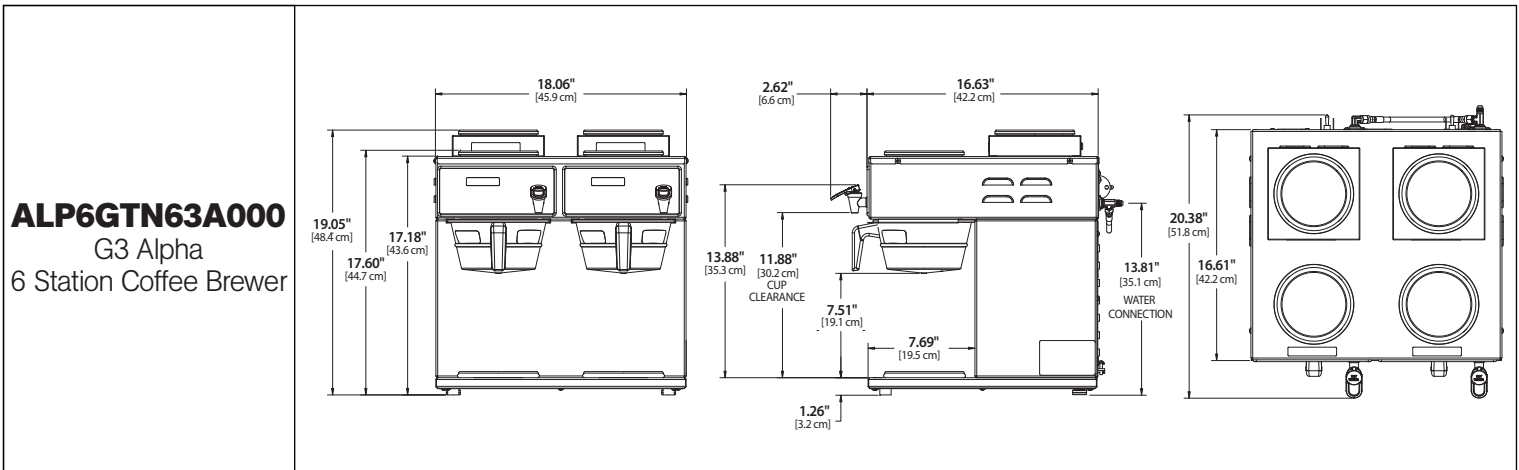
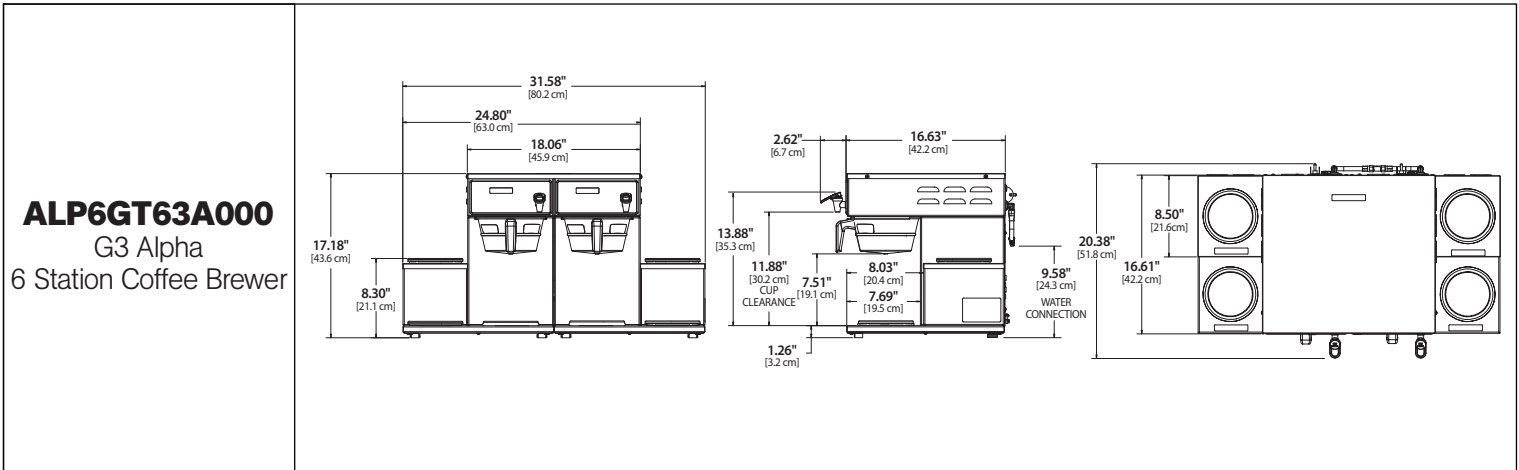
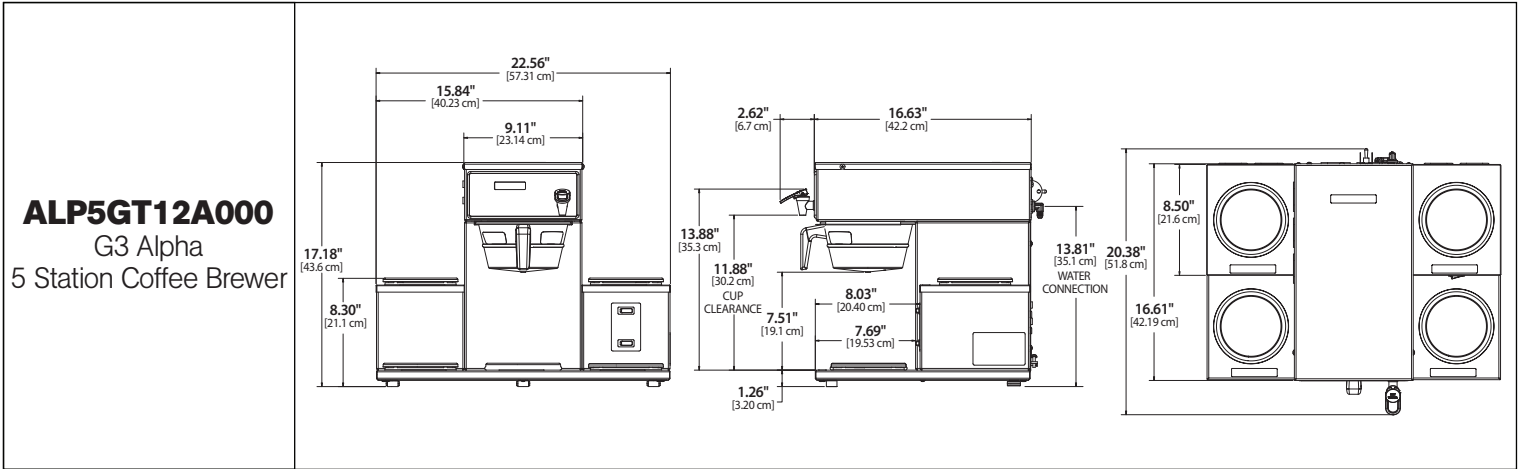
- ALP3GTL12A000**
G3 Alpha
3 Station Coffee Brewer



- ALP3GTR12A000**
G3 Alpha
2 Station Coffee Brewer



G3 Alpha® Decanter Coffee Brewers



G3 Alpha® Decanter Coffee Brewers

Specifications

MODEL #	DESCRIPTION	HEIGHT x WIDTH x DEPTH	BREWER FILL WEIGHT	BREWED GAL/HR
ALP1GT12A000	G3 Alpha® Decanter 1 Station, 1 Lower Warmer	17.18" x 9.11" x 20.38"	37.3 lbs.	4.0
ALP2GT12A000	G3 Alpha® Decanter 2 Station, 1 lower, 1 Upper Warmer	17.60" x 9.11" x 20.38"	38.3 lbs.	4.0
ALP3GT12A000	G3 Alpha® Decanter 3 Station, 1 lower, 2 Upper Warmers	19.05" x 9.11" x 20.38"	39.3 lbs.	4.0
ALP3GT63A000	G3 Alpha® Decanter 3 Station, 1 lower, 2 Upper Warmers	19.05" x 9.11" x 20.38"	39.3 lbs.	4.0/9.0
ALP3GTR12A000	G3 Alpha® Decanter 3 Station, 3 lower, Right Warmers	17.18" x 15.84" x 20.38"	45.3 lbs.	4.0
ALP3GTR63A000	G3 Alpha® Decanter 3 Station, 3 lower, Right Warmers	17.18" x 15.84" x 20.38"	46.3 lbs.	4.0/9.0
ALP3GTL12A000	G3 Alpha® Decanter 3 Station, 3 lower, Left Warmers	17.18" x 15.84" x 20.38"	45.3 lbs.	4.0
ALP3GTL63A000	G3 Alpha® Decanter 3 Station, 3 lower, Left Warmers	17.18" x 15.84" x 20.38"	46.3 lbs.	4.0/9.0
ALP5GT12A000	G3 Alpha® Decanter 5 Station, 5 lower, Right/Left Warmers	17.18" x 22.56" x 20.38"	52.3 lbs.	4.0
ALP5GT63A000	G3 Alpha® Decanter 5 Station, 5 lower, Right/Left Warmers	17.18" x 22.56" x 20.38"	53.3 lbs.	4.0/9.0
ALP6GT63A000	G3 Alpha® Decanter 6 Station Twin, 6 Lower Warmers	17.18" x 31.58" x 20.38"	85.3 lbs.	4.0/9.0
ALP6GTN63A000	G3 Alpha® Decanter 6 Station Twin, 4 Upper, 2 Lower Warmers	19.05" x 18.06" x 20.38"	73.3 lbs.	4.0/9.0

Utility Requirements

MODEL #	PHASE	VOLTS	AMPS	ELECTRICAL					WATER			
				MIN. CIRCUIT	HEAT CONFIG	WIRE	WATTS	HERTZ	CONNECTOR	PRESSURE	MIN. FLOW RATE	TANK VOL.
ALP1GT12A000	1 PH	120V	13.3A	15A	1 x 1450W	2W+G	1600W	50/60 Hz	1/4" Flare	20 - 90 psi	1.0 GPM	1.6 gal.
ALP2GT12A000	1 PH	120V	14.2A	15A	1 x 1450W	2W+G	1700W	50/60 Hz	1/4" Flare	20 - 90 psi	1.0 GPM	1.6 gal.
ALP3GT12A000	1 PH	120V	15.0A	15A	1 x 1450W	2W+G	1800W	50/60 Hz	1/4" Flare	20 - 90 psi	1.0 GPM	1.6 gal.
ALP3GT63A000	1 PH	120/220V	15.0/15.0A	15/20A	2 x 1450W	2W/3W+G	1800/3300W	50/60 Hz	1/4" Flare	20 - 90 psi	1.0 GPM	1.6 gal.
ALP3GTR12A000	1 PH	120V	15.0A	15A	1 x 1450W	2W+G	1800W	50/60 Hz	1/4" Flare	20 - 90 psi	1.0 GPM	1.6 gal.
ALP3GTR63A000	1 PH	120/220V	15.0/15.0A	15/20A	2 x 1450W	2W/3W+G	1800/3300W	50/60 Hz	1/4" Flare	20 - 90 psi	1.0 GPM	1.6 gal.
ALP3GTL12A000	1 PH	120V	15.0A	15A	1 x 1450W	2W+G	1800W	50/60 Hz	1/4" Flare	20 - 90 psi	1.0 GPM	1.6 gal.
ALP3GTL63A000	1 PH	120/220V	15.0/15.0A	15/20A	2 x 1450W	2W/3W+G	1800/3300W	50/60 Hz	1/4" Flare	20 - 90 psi	1.0 GPM	1.6 gal.
ALP5GT12A000	1 PH	120V	16.3A	15A	1 x 1450W	2W+G	1950W	50/60 Hz	1/4" Flare	20 - 90 psi	1.0 GPM	1.6 gal.
ALP5GT63A000	1 PH	120/220V	16.3/15.9A	20/20A	2 x 1450W	2W/3W+G	1950/3500W	50/60 Hz	1/4" Flare	20 - 90 psi	1.0 GPM	1.6 gal.
ALP6GT63A000	1 PH	120/220V	30.0/30.0A	40/40A	2 x 1450W	2W/3W+G	3600/6600W	50/60 Hz	1/4" Flare	20 - 90 psi	1.0 GPM	1.6 gal.
ALP6GTN63A000	1 PH	120/220V	30.0/30.0A	40/40A	2 x 1450W	2W/3W+G	3600/6600W	50/60 Hz	1/4" Flare	20 - 90 psi	1.0 GPM	1.6 gal.

SPECIFICATIONS SUBJECT TO CHANGE WITHOUT NOTICE



WARNING - These products can expose you to chemicals including Acrylamide and Bisphenol A (BPA), which are known to the State of California to cause cancer and birth defects or other reproductive harm. For more information visit www.P65Warnings.ca.gov



Wilbur Curtis Co., Inc. / 6913 Acco Street / Montebello CA 90640
 800.421.6150 / 323.837.2300 / www.wilburcurtis.com
Perfecting the art of brewing since 1941



Model: StyleView Cart with LCD Pivot, SLA Powered 1 Drwr
Category: Cart, Computer
Subcategory: Laptop, w/Power
Manufacturer: Ergotron Inc.
Catalog #: SV44-1311-1

Atta 3 ID: CPC-5F655

Laptop w/Power computer cart. Features: Auto-locking drawer system (ADS), primary single drawer, drawer dividers, LCD pivot, worksurface, CPU lock, secure CPU compartment, four-port USB hub, scanner holder bracket, mouse holder, wrist rest, back-tilt keyboard tray, keyboard lights, left/right mouse tray, rear handle, storage basket, cable storage, four casters (lockable, 1 tracking function), two-battery 66 Ah power system, coiled cord, AC outlets, power system user interface. Total maximum load on height-adjustment assembly = 37 lbs.

General Production Detail

Arch Sig: No	Spatial Sig: No
Arch Code: 02-Movable Electrical	ADA: No
Critical Path: No	Antimicrobial: No
Type: Non-Medical	Green: No
Furnish Install: Owner / Owner	

Physical Requirements

Width (in.): 22.0000	Left (in.): N/A
Depth (in.): 30.7500	Right (in.): N/A
Height (in.): 50.5000	Front (in.): N/A
Product Weight (lbs): 189.0000	Back (in.): N/A
Max Operating Weight (lbs):	Top (in.): N/A
Mounting: Floor - Mobile	Bottom (in.): N/A
Specification notes:	

Structural Requirements

Seismic: No	OPA #:
	Pre-Approval:
Structural notes:	

Technology Requirements

Patient Data: No	Network:
Connection Type: N/A	System:
Technical Connection notes:	

Electrical Requirements

Volts:	Watts: N/A
Hz: N/A	Amps: N/A
KVA:	Circuit: No
UPS: N/A	Plug Type: N/A
Emerg. Power: No	Plug Detail:
Other Volts Avail.: No	Electrical Phase: N/A
BTU/hr: N/A	
Electrical notes:	

Utility Requirements

Water - Cold: No	Gas Type:
Water - Hot: No	Gas Location:
Water - Treated: No	Medical Gas: No
Drain: No	Vent Type:
Drain Location:	Heat Dissipation: N/A
Steam: No	Dissipation Type: Actual
Vacuum - Den. / Med.: No/No	
Plumbing notes:	
Mechanical notes:	

Locations

Level	Arch Dept	Room	Room #	Status	Item Qty	Ext Total Config
Level 7	Patient Care Support	Documentation	7522, 7826	New	2	\$23,127.96
Level 7	Patient Care Support	Equipment Storage (West)	7822	New	6	\$34,691.94
Level 7	Patient Care Support	Equipment Storage (East)	7501	New	5	\$28,909.95

Total: 15

ergotron®

moving you forward

StyleView SV44 Medical Cart

- Easy to maneuver: Moves easily across carpet or hard surface floors with a small footprint that fits in space-constrained areas
- Enhances well-being and productivity: Caregivers can choose their preferred height for ergonomic typing and charting as they sit or stand
- Stay organized: Accommodates up to five single-height drawers to easily access supplies
- Promotes patient and caregiver safety: Entire power system and cart are certified to UL/EN/IEC 60601-1 and comply with EMI limits of FCC Part 15 Class A
- Long battery life: LiFe battery option helps improve uptime with an ultrafast recharge and long runtime that can last up to 12 hours, depending on the number of connected devices
- Quick integration: Ships fully assembled

Electric lift height adjustment option

- Accessibility for all: Reduces user forces with heavy cart loads or for caregivers with physical limitations
- Adjustment at the push of a button: Fits a broad range of users 5'0" to 6'1" (152 to 185 cm) with height adjustment that moves the worksurface and keyboard



LAPTOP



LCD ARM



LCD PIVOT

VERSATILE POWERED CART WITH MULTIPLE DRAWER CONFIGURATIONS SUPPORTS WIDE-RANGING WORKFLOWS

STYLEVIEW™

StyleView Medical Carts bring comfort and flexibility to any workflow by adapting to meet the needs of every caregiver. Built on decades of experience, these compact carts offer top-notch ergonomics and versatility. The open architecture design, broad portfolio of accessories and quality construction makes StyleView a long-term investment that evolves with your organization.

Customize your fleet to fit your workflows with:

Three display mount options

Lithium Iron Phosphate (LiFe) or Sealed Lead Acid (SLA) battery power

Proprietary Constant Force™ (CF) manual height adjustment or electric lift (eLift)

Pre-configured drawer options

STYLEVIEW™

PRODUCTS INCLUDE:

LCD Pivot or LCD Arm mounting options, antimicrobial worksurface, CPU lock, secure CPU compartment, four-port USB hub, scanner holder bracket, mouse holder, wrist rest, negative-tilt keyboard tray, left/right mouse tray, rear handle, storage basket, cable storage, four casters, eKinnex™ fleet management software.

- 1 Convenient scanner holder bracket supports smooth workflows
- 2 Large worksurface and wrist rest are treated with antimicrobial to support infection control
- 3 Auto-locking drawer system supports efficient medication management at the point of care; eKinnex software stores up PINs for up to 1,000 users; "pharmacy mode" allows all drawers to be unlocked simultaneously for efficient stocking
- 4 Negative-tilt keyboard tray, wrist rest and mouse holder support comfortable documentation; four amber LEDs provide visibility of the keyboard tray in low-light care areas
- 5 Rear storage basket keeps task-related items close for easy access
- 6 T-slot channel interface on the column allows you to integrate accessories
- 7 Four 4" (10.2 cm) lockable casters, including one with a tracking function to easily steer while moving the cart
- 8 Compact base fits into crowded healthcare spaces

SV44 SLA-powered LCD Pivot cart pre-configured with 6 drawers (3x2)



Durable, easy-to-clean exterior composed of aluminum, high-grade plastic and zinc-plated steel



SV TASKLIGHT
97-754-002



SV SCANNER SHELF
97-780-194



LARGE UTILITY SHELF
97-540-053

Additional accessories available at healthcare.ergotron.com. Drawers can be added or removed based on changing needs. Please note, adding drawers may impact the total height adjustment.

	Laptop, LiFe	LCD Arm, LiFe	LCD Pivot, LiFe	eLift LCD Arm, LiFe	eLift LCD Pivot, LiFe
Typical LCD size	≤ 17.3"	≤ 24"			
<small>LCD SIZE IS APPROXIMATION. DIMENSION IS DIAGONAL MEASUREMENT OF SCREEN. LCD SIZE MAY BE EXCEEDED AS LONG AS SCREEN WEIGHT DOES NOT EXCEED MAXIMUM WEIGHT CAPACITY OF THE MOUNT</small>					
Weight Capacity*	See website				
Lift*	20" (51 cm)	27" (68.6 cm)	25" (63.5 cm)	27" (68.6 cm)	25" (63.5 cm)
Tilt*	—	65°/+60°/-5°	25°/+20°/-5°	65°/+60°/-5°	25°/+20°/-5°
Pan*	—	180°	24°	180°	24°
Rotation*	—	360°	90°	360°	90°
VESA	MIS-D (100 x 100 mm & 75 x 75 mm)				
Cart Weight	See website				
Shipping Dimensions	56"H x 34"W x 24.5"D (142 x 86 x 62 cm)				
Shipping Weight	See website				
Warranty	5-year warranty for mechanical components; 3-year warranty on LiFe batteries, electric lift and switch; 2-year warranty on power modules and power coiled cords. See Ergotron product warranty terms & conditions for more detail.*				

*See website
SLA power options available in some regions, contact Ergotron for more details.

Download additional resources at ergotron.com.
For more information:
USA & Canada: 800.888.8458 / +1.651.681.7600 / insidesales@ergotron.com
EMEA: +31.33.45.45.600 / info.eu@ergotron.com
APAC: apaccustomerservice@ergotron.com
LATAM: +1.800.681.1820 / info.latam@ergotron.com
Custom: custom@ergotron.com

© Ergotron, Inc. 06.27.2022
Literature made in the U.S.A.
Content subject to change.
Ergotron devices are not intended to cure, treat, mitigate or prevent any disease.
Patent information available at www.ergotron.com/patents.





Model: 2701M1 Medication Storage Box
Category: Cabinet, Storage, Clinical
Subcategory: Wall Mounted
Manufacturer: Medicus Health
Catalog #: 2701M1

Atta 3 ID: CST-F8012

Clinical storage cabinet. Features: 8.3 x 4.5 x 2.9 in. Medication lock box with electronic programmable lock, riveted hinges. All programming is controlled via the master password. Lock gives user audio/visual feedback and warnings. IP55.

General Production Detail

Arch Sig: Yes	Spatial Sig: No
Arch Code: 01-Fixed Equipment	ADA: No
Critical Path: No	Antimicrobial: No
Type: Medical	Green: No
Furnish Install: Owner / Contractor	

Electrical Requirements

Volts:	Watts: N/A
Hz: N/A	Amps: N/A
KVA:	Circuit: No
UPS: N/A	Plug Type: N/A
Emerg. Power: No	Plug Detail:
Other Volts Avail.: No	Electrical Phase: N/A
BTU/hr: N/A	
Electrical notes:	

Physical Requirements

Width (in.): 8.3000	Left (in.): N/A
Depth (in.): 4.9000	Right (in.): N/A
Height (in.): 2.9000	Front (in.): N/A
Product Weight (lbs): 2.4000	Back (in.): N/A
Max Operating Weight (lbs):	Top (in.): N/A
Mounting: Wall	Bottom (in.): N/A
Specification notes:	

Utility Requirements

Water - Cold: No	Gas Type:
Water - Hot: No	Gas Location:
Water - Treated: No	Medical Gas: No
Drain: No	Vent Type:
Drain Location:	Heat Dissipation: N/A
Steam: No	Dissipation Type: Actual
Vacuum - Den. / Med.: No/No	
Plumbing notes:	
Mechanical notes:	

Structural Requirements

Seismic: No	OPA #:
	Pre-Approval:
Structural notes:	

Technology Requirements

Patient Data: No	Network:
Connection Type: N/A	System:
Technical Connection notes:	

Locations

Level	Arch Dept	Room	Room #	Status	Item Qty	Ext Total Config
Level 7	Critical Care	Critical Care - Isolation	714, 715, 716, 717	New	1	\$996.00

Total: 4

Safety • Clear Refrigerator Medication Lock Boxes



Clear Refrigerator Mount Medication Lock Boxes

- Boxes comply with Joint Commission regulations to keep high risk medications locked up at all times
- Boxes are made from PETG plastic that's easy to clean and 20 times stronger than standard acrylic boxes that crack easily
- Medication Lock Boxes have unique riveted hinges for increased security. Clear design makes medication highly visible
- Boxes mount securely in refrigerator shelves to prevent medication theft; glass mount and wire shelf mounting kits are included
- All boxes come complete with pre-drilled, top mounting holes and mounting kits for wire refrigerators
- **Key Locks:** includes two keys each
- **Thumbwheel Combination Locks:** easy to use and program so your whole staff can remember it
- **Tubular Locks:** come with pick proof high-security tubular locks installed and two keys
- **Keyless E-Lock:** Electronic Lock is easy to program and comes with three different pass words: master, service and user (lock programming instructions included). E-Lock meets IP55 rating for humidity and moisture so it's perfect for mounting inside refrigerator. E-lock has ten year battery life.
- **Double Lock Boxes:** have double high security tubular locks with two pick free locks with heavy duty aluminum riveted hinges for increased security. Great for pharmacies that need two locks keyed differently

Part #	Description	Each
Key Locks		
2113M1	8.3"W x 4.9"D x 2.9"H	
2113M2	12"W x 6"D x 4.25"H	
Thumb Wheel Combination Locks		
2113M3	8.3"W x 4.9"D x 2.9"H	
2113M4	12"W x 6"D x 4.25"H	
Tubular Locks		
2113M5	8.3"W x 4.9"D x 2.9"H	
2113M6	12"W x 6"D x 4.25"H	
Keyless Electronic Lock		
2701M1	8.3"W x 4.9"D x 2.9"H	
2702M1	12"W x 6"D x 4.25"H	
Double Lock		
2911M1	8.3"W x 4.9"H x 2.9"D	
2911M2	12"W x 6"H x 4.25"D	

Custom Sized Medication Lock Boxes are Available
 For Details Call Toll Free:
 877-514-1140 or e-mail us at:
 sales@medicus-health.com

Key Lock Boxes



Unique riveted hinges for increased security



Thumb Wheel Combination Lock Boxes



Tubular Lock Boxes



Keyless Electronic Lock Boxes



Double Lock Boxes



For Current Pricing Please See Our Website: www.medicus-health.com

36 Order Online @ www.medicus-health.com • Fax: 616.514.1141 • Call: 877.514.1140



Model: 1881749 Collapsible X-Cart (4 Bushel)
Category: Cart / Truck
Subcategory: Utility
Manufacturer: Rubbermaid Commercial Products
Catalog #: 1881749

Atta 3 ID: CTK-16D44

Collapsible Cart Basket. Features: 4-Bushel, 220 lbs load capacity, Black. Transports large, bulk loads, collapses to minimize. Stainless steel, powder-coated frame and detachable bag. Color-coded ribbons classify transport materials to prevent cross-contamination.

General Production Detail

Arch Sig: No	Spatial Sig: No
Arch Code: 03-Movable Non-Electrical	ADA: No
Critical Path: No	Antimicrobial: No
Type: Non-Medical	Green: No
Furnish Install: Owner / Owner	

Electrical Requirements

Volts:	Watts: N/A
Hz: N/A	Amps: N/A
KVA:	Circuit: No
UPS: N/A	Plug Type: N/A
Emerg. Power: No	Plug Detail:
Other Volts Avail.: No	Electrical Phase: N/A
BTU/hr: N/A	
Electrical notes:	

Physical Requirements

Width (in.): 24.1000	Left (in.): N/A
Depth (in.): 20.3000	Right (in.): N/A
Height (in.): 34.0000	Front (in.): N/A
Product Weight (lbs): 20.6000	Back (in.): N/A
Max Operating Weight (lbs):	Top (in.): N/A
Mounting: Floor - Mobile	Bottom (in.): N/A
Specification notes:	

Utility Requirements

Water - Cold: No	Gas Type:
Water - Hot: No	Gas Location:
Water - Treated: No	Medical Gas: No
Drain: No	Vent Type:
Drain Location:	Heat Dissipation: N/A
Steam: No	Dissipation Type: Actual
Vacuum - Den. / Med.: No/No	
Plumbing notes:	
Mechanical notes:	

Structural Requirements

Seismic: No	OPA #:
	Pre-Approval:
Structural notes:	

Technology Requirements

Patient Data: No	Network:
Connection Type: N/A	System:
Technical Connection notes:	

Locations

Level	Arch Dept	Room	Room #	Status	Item Qty	Ext Total Config
Level 7	Family Waiting	EVS	7606	New	2	\$640.88

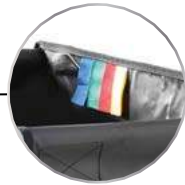
Total: 2

Collapsible X-Carts

Durable, easy-to-maneuver cart efficiently transports large, bulky loads, then conveniently collapses to minimize storage footprint.

- Compact, collapsible frame enables efficient storage
- Durable vinyl bag accommodates bulky loads
- Easy-to-clean, detachable bag
- Color-coded ribbons classify transport materials to prevent cross-contamination
- Aesthetically pleasing black finish disguises stains and dirt
- High-quality TPR casters provide quiet operation
- Bumper guards help prevent damage to cart and facility during transport

1881781



COLOR-CODED TABS

Organize your linen and/or waste collection. Select the color you wish to assign for the job and simply trim off the other three tabs.



PREMIUM QUIET CASTERS

Castors swivel for superior maneuverability, while bumper guards add extra protection during transport.

Compact, collapsible frame reduces width by 75% to enable efficient storage.



DURABLE CONSTRUCTION

Robust stainless steel with powder-coated finish will not warp or rust.

1881750



Six storage pockets hold cleaning tools, gloves, clothes, spray bottles, cleaning chemicals & more!



NO.	COLOR	DESCRIPTION	U.S. DIMENSIONS	U.S. BUSHELS	U.S. SIZE	U.S. CAPACITY	U.S. SHIP WT/CTN	METRIC DIMENSIONS	METRIC SIZE	METRIC CAPACITY	METRIC SHIP WT/CTN	PACK
1881749	BLACK	Collapsible X-Cart, 4 Bushels	24.1" l x 20.3" w x 34" h	4	5	220 lb	20.6 lb	61.2 cm x 51.6 cm x 86.4 cm	0.14 m ³	99.8 kg	9.3 kg	1
1881750	BLACK	Collapsible X-Cart, 8 Bushels	35.7" l x 24.1" w x 34" h	8	10	220 lb	27.0 lb	95.3 cm x 61.2 cm x 86.4 cm	0.28 m ³	99.8 kg	12.2 kg	1
1881781	BLACK	Collapsible Multi-Stream X-Cart (2 x 4 Bushels)	35.7" l x 24.1" w x 34" h	8	10	220 lb	28.6 lb	95.3 cm x 61.2 cm x 86.4 cm	0.28 m ³	99.8 kg	13.0 kg	1
1881782	BLACK	Collapsible X-Cart Replacement Bag, 4 Bushels	15.3" l x 22.4" w x 27.3" h	4	5	220 lb	4.46 lb	38.9 cm x 56.9 cm x 69.3 cm	0.14 m ³	99.8 kg	2.0 kg	2
1881783	BLACK	Collapsible X-Cart Replacement Bag, 8 Bushels	30.5" l x 22.4" w x 27.3" h	8	10	220 lb	6.1 lb	77.5 cm x 56.9 cm x 69.3 cm	0.28 m ³	99.8 kg	2.8 kg	2
1889863	BLACK	Collapsible X-Cart Cover, Small (for 1881749)	25.38" l x 19.88" w x 9.0" h				0.85 kg	25.38 cm l x 19.88 cm w x 9.0 cm h	0.85 kg			1
1889864	BLACK	Collapsible X-Cart Cover, Large (for 1881750 and 1881781)	35.0" l x 26.25" w x 9.0" h			1.17 kg	2.59 lbs.	35.0 cm l x 26.25 cm w x 9.0 cm h	1.17 kg			1

UTILITY REFUSE AND RECYCLING

DECORATIVE REFUSE

CLEANING

MATERIAL HANDLING

WASHROOM

FOODSERVICE

ACCESSORIES & INDEX





Model: D-Series DWC243064T-4B (Solid Doors)
Category: Cabinet, Warming
Subcategory: Dual, Freestanding
Manufacturer: MAC Medical, Inc.
Catalog #: DWC243064T-4B

Atta 3 ID: CWA-FFE83

Freestanding, dual chamber warming cabinet with solid doors and integrated data logger with removable USB. Standard 4-inches base. Keyed door lock and adjustable feet. 13.15 cu.ft. total capacity (upper chamber 4.67 cu. ft., lower chamber 8.48 cu. ft.). Features temperature range 90-160 degrees Fahrenheit, keyed temperature lock out, separate digitally controlled heating chambers, audible and visual over-temp alarm, 3 adjustable shelves (1 upper chamber, 2 lower chamber). Approximate capacity: 52 blankets & 96 solution bottles (1 Liter each). Overall dimensions: 26.5D x 30W x 64.75H (inches).

General Production Detail

Arch Sig: Yes	Spatial Sig: No
Arch Code: 02-Movable Electrical	ADA: No
Critical Path: No	Antimicrobial: No
Type: Medical	Green: No
Furnish Install: Owner / Contractor	

Electrical Requirements

Volts: 120	Watts: 1068.0000
Hz: 60	Amps: 8.9000
KVA:	Circuit: Yes
UPS: N/A	Plug Type: Type B (Nema 5-15)
Emerg. Power: No	Plug Detail:
Other Volts Avail.: No	Electrical Phase: Single Phase
BTU/hr: 2218.0000	
Electrical notes:	

Physical Requirements

Width (in.): 30.0000	Left (in.): N/A
Depth (in.): 26.5000	Right (in.): N/A
Height (in.): 64.7500	Front (in.): N/A
Product Weight (lbs): 400.0000	Back (in.): N/A
Max Operating Weight (lbs):	Top (in.): N/A
Mounting: Floor	Bottom (in.): N/A
Specification notes:	

Utility Requirements

Water - Cold: No	Gas Type:
Water - Hot: No	Gas Location:
Water - Treated: No	Medical Gas: No
Drain: No	Vent Type:
Drain Location:	Heat Dissipation: 2218.0000
Steam: No	Dissipation Type: Actual
Vacuum - Den. / Med.: No/No	
Plumbing notes:	
Mechanical notes:	

Structural Requirements

Seismic: Yes	OPA #: OPA-2540-10
Pre-Approval:	
Structural notes:	

Technology Requirements

Patient Data: No	Network:
Connection Type: Data	System:
Technical Connection notes:	

Locations

Level	Arch Dept	Room	Room #	Status	Item Qty	Ext Total Config
Level 7	Patient Care Support	Alcove - BW	7513, 7713, 7816, 7817	New	1	\$46,276.00

Total: 4

The next generation of warming cabinets

D-Series Data Logging Blanket & Fluid Warming Cabinets



The D-Series (Data Logging) Blanket & Fluid Warming Cabinets provide independent, digitally controlled heating chambers that offer actual temperature and set point displays. Data is recorded every 30 minutes and stored for up to two years. Choose from single, dual, or triple chamber units.

To place an order, contact our customer service department at **618-476-3550** or **877-828-9975**, or by email at **sales@macmedical.com**.

STANDARD FEATURES

- "Easy Log" integrated data logger with removable USB – **now standard!**
- Keyed door lock for single & upper chamber units – **now standard!**
- Adjustable feet – **now standard!**
- Automatically records data every 30 minutes
- Internal storage up to 2 years
- Displays actual temperature and set points at all times
- Independent digitally controlled heating chambers
- Rapid warm time (2-6 hours depending on load)
- Keyed temperature lock out
- Push button digital operation
- Large digital display(s)
- Fully insulated to provide uniform heating
- Audible & visual over-temp alarm
- Remote alarm output

OPTIONAL FEATURES

- Full view glass door
- Left hand door hinge
- Mobile base or stand
- 220/240V power supply
- Celsius
- Two (2) recessed unit options
- Seismic braces
- Roll out basket(s) with cool touch handles
- Pass through chamber
- Sloped top
- Keyed door lock for intermediate & lower chamber units
- Electronic keypad lock
- Custom sizes available



www.macmedical.com

MADE IN THE USA

How to Order D-Series

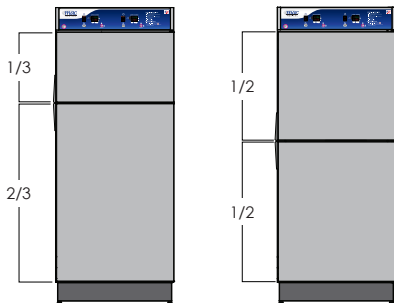
Model #	Overall Size	Chambers	Door Type	Door Hinge	Base Style	Other Options
SWC151822	15.5"D x 18"W x 22"H	Single	G = Glass Door	LH = Left Hinge	† 2B = 2" Base	220 = 220/240V Power Supply
SWC182424	20.5"D x 24"W x 24.5"H	Single	Blank = Stainless Steel Door (Standard)	Blank = Right Hinge (Standard)	† 4B = 4" Base	C = Celsius
SWC242424	26.5"D x 24"W x 24.5"H	Single			† 6B = 6" Base	R1 = Recessed Unit with Insulation Wrap, No Top Panel, No Side Panels, and No Trim Kit
SWC183024	20.5"D x 30"W x 24.5"H	Single			NB = No Base	R2 = Recessed Unit with Top Panel, Side Panels, and Trim Kit
SWC243024	26.5"D x 30"W x 24.5"H	Single			MB = Mobile Base	SB = Seismic Braces
SWC183036	20.5"D x 30"W x 36"H	Single				WB = Roll Out Basket
SWC243036	26.5"D x 30"W x 36"H	Single				P = Pass Through Chamber
SWC182464	20.5"D x 24"W x 64.75"H	Single				† ST = Sloped Top
SWC242464	26.5"D x 24"W x 64.75"H	Single				†† IDL = Intermediate Chamber Door Lock
SWC183064	20.5"D x 30"W x 64.75"H	Single				††† LDL = Lower Chamber Door Lock
SWC243064	26.5"D x 30"W x 64.75"H	Single				†††† EL = Electronic Keypad Lock
SWC182474	20.5"D x 24"W x 74.5"H	Single				
SWC183074	20.5"D x 30"W x 74.5"H	Single				
SWC242474	26.5"D x 24"W x 74.5"H	Single				
SWC243074	26.5"D x 30"W x 74.5"H	Single				
DWC182464T*	20.5"D x 24"W x 64.75"H	Dual				
DWC242464T*	26.5"D x 24"W x 64.75"H	Dual				
DWC183064T*	20.5"D x 30"W x 64.75"H	Dual				
DWC243064T*	26.5"D x 30"W x 64.75"H	Dual				
DWC182474T*	20.5"D x 24"W x 74.5"H	Dual				
DWC242474T*	26.5"D x 24"W x 74.5"H	Dual				
DWC183074T*	20.5"D x 30"W x 74.5"H	Dual				
DWC243074T*	26.5"D x 30"W x 74.5"H	Dual				
DWC183074E**	20.5"D x 30"W x 74.5"H	Dual				
DWC243074E**	26.5"D x 30"W x 74.5"H	Dual				
TWC183078	20.5"D x 30"W x 78.75"H	Triple				
TWC243078	26.5"D x 30"W x 78.75"H	Triple				

the **NEXT** generation of warming cabinets

† Not available for SWC151822
 †† Only available for Triple Chamber Units
 ††† Only available for Dual and Triple Chamber Units
 †††† Only available for Single Chamber Units

* T = Chambers in Thirds

** E = Equal Chambers



Example 1: Model # SWC182464, Glass Door, Left Hinge, Mobile Base, Sloped Top = Order Model # SWC182464-G-LH-MB-ST

Example 2: Model # DWC243074E, Stainless Steel Door, Right Hinge, 4" Base, Celsius, Lower Chamber Door Lock = Order Model # DWC243074E-4B-C-LDL

Note: Additional sizes available for specific requirements. Please contact us for further assistance.



Warranty

All products manufactured by MAC Medical, Inc. will carry a limited lifetime guarantee against product craftsmanship, one year labor and two year parts guarantee. The factory will service all units without cost to the buyer for one year from shipment. After the one year period, replacement of a defective part (labor) will be at buyer's expense. We will exchange all defective parts at no cost to the buyer for a period of two years from shipment. All defective parts must be returned within 30 days to ensure proper credit. An RMA from MAC Medical, Inc. must be obtained prior to items return.



Customer needs are our first priority.

MAC Medical, Inc.
 Printed in USA
 Publication No. FFU-02 Rev D
 August 2016



Corporate Office
 325 West Main Street
 Belleville, IL 62220

Manufacturing Plant
 820 South Mulberry Street
 Millstadt, IL 62260

Phone: 618-476-3550 • Toll Free: 877-828-9975 • www.macmedical.com

General Specifications

Cabinet Construction and Material

- 300 Stainless Steel (all panels, header and doors) Double walled construction with insulation. Doors are double pan stainless steel.
- Fully insulated to provide uniform heating
- Optional Glass door are double paned tempered glass framed with aluminum.
- Doors are fully gasketed and hinged on right side or optionally on the left side.

Factory Presets

- All units are preset to measure temperature in Fahrenheit (unless the unit was specifically ordered to be preset for Celsius.)

Power Requirements

- 120VAC, 60Hz, Single Phase, 15 AMP, Ground Fault Interrupter Circuit (GFI) protected electrical outlet, or 220 VAC, 60Hz, Single Phase, 7 AMP, GFI protected electrical outlet (by others) installed per local building codes and provides protective earth.
- Cabinets are supplied with a 7 foot (2.3m) long, 14-3 SJT power cord with a 120V (NEMA 15P) hospital grade plug. For multi-chambered units, ON/OFF switches are supplied for each chamber.
- All individual electronic components are Underwriter's Laboratory (UL) approved and recognized.

Power Specifications are located on the unit identification rating tag (see Fig. 4) which is permanently attached on the inside of the door or on the back of the upper chamber.

Electrical Specifications by Model	
Model #	Description
SWC151822	120V, 2.9 Amp, 50/60 Hz, .23 kWh (Avg.), 785 BTU/hr (Avg.)
SWC182424	
SWC242424	
SWC243024	120V, 6.3 Amp, 50/60 Hz, .45 kWh (Avg.), 1535 BTU/hr (Avg.)
SWC243036	
SWC183024	120V, 5.7 Amp, 50/60 Hz, .45 kWh (Avg.), 1535 BTU/hr (Avg.)
SWC183036	
SWC182464	120V, 6.5 Amp, 50/60 Hz, .47 kWh (Avg.), 1604 BTU/hr (Avg.)
SWC182474	
SWC183074	
SWC242474	
SWC243074	120V, 6.5 Amp, 50/60 Hz, .41 kWh (Avg.), 1604 BTU/hr (Avg.)
SWC242464	
SWC243064	120V, 6.3 Amp, 50/60 Hz, .41 kWh (Avg.), 1400 BTU/hr (Avg.)
SWC183064	
DWC183064T	120V, 8.3 Amp, 50/60 Hz, .60 kWh (Avg.), 2047 BTU/hr (Avg.)
DWC242464T	
DWC182464T	120V, 8.9 Amp, 50/60 Hz, .65 kWh (Avg.), 2218 BTU/hr (Avg.)
DWC182474T	
DWC243064T	
DWC242474T	120V, 8.3 Amp, 50/60 Hz, .82 kWh (Avg.) 2047 BTU/hr (Avg.)
DWC183074T	
DWC243074T	120V, 12.5 Amp, 50/60 Hz, .90 kWh (Avg.) 3071 BTU/hr (Avg.)
DWC183074E	
DWC243074E	120V, 11.4 Amp, 50/60 Hz, .82 kWh (Avg.) 2798 BTU/hr (Avg.)
TWC183078	
TWC243078	

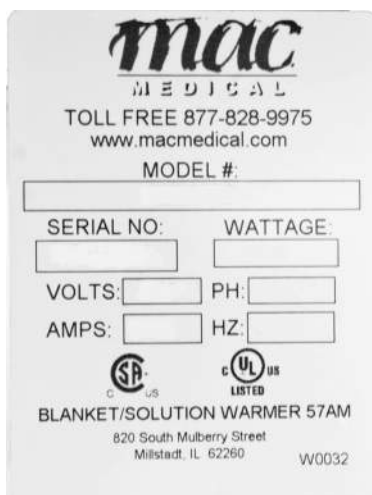


Fig. 4: Power Specification Label

Atta 3 ID: CWK-54FAF

Model:
Category: Casework
Subcategory: Modular, Allowance
Manufacturer:
Catalog #:

General Production Detail

Arch Sig: Yes	Spatial Sig: No
Arch Code: 01-Fixed Equipment	ADA: No
Critical Path: No	Antimicrobial: No
Type: Non-Medical	Green: No
Furnish Install: Owner / Contractor	

Electrical Requirements

Volts:	Watts: N/A
Hz: N/A	Amps: N/A
KVA:	Circuit: No
UPS: N/A	Plug Type: N/A
Emerg. Power: No	Plug Detail:
Other Volts Avail.: No	Electrical Phase: N/A
BTU/hr: N/A	
Electrical notes:	

Physical Requirements

Width (in.):	Left (in.): N/A
Depth (in.):	Right (in.): N/A
Height (in.):	Front (in.): N/A
Product Weight (lbs):	Back (in.): N/A
Max Operating Weight (lbs):	Top (in.): N/A
Mounting: N/A	Bottom (in.): N/A
Specification notes:	

Utility Requirements

Water - Cold: No	Gas Type:
Water - Hot: No	Gas Location:
Water - Treated: No	Medical Gas: No
Drain: No	Vent Type:
Drain Location:	Heat Dissipation: N/A
Steam: No	Dissipation Type: N/A
Vacuum - Den. / Med.: No/No	
Plumbing notes:	
Mechanical notes:	

Structural Requirements

Seismic: No	OPA #:
	Pre-Approval:
Structural notes:	

Technology Requirements

Patient Data: No	Network:
Connection Type: N/A	System:
Technical Connection notes:	

Locations

Level	Arch Dept	Room	Room #	Status	Item Qty	Ext Total Config
Level 7	Respiratory Therapy	RT Decontam	7720	New	1	--

Total: 1



Model: CR-DC06E
Category: Cart, Cylinder
Subcategory: D&E, Multi
Manufacturer: W.T. Farley
Catalog #: CR-DC06E

Atta 3 ID: CYL-DA5AC

Cylinder cart. Holds six E or D size cylinders. Features 5" swivel casters with lock, dual reinforced steel construction, chrome finish and dual handles. Made for 4.25" Diameter Cylinders.

General Production Detail

Arch Sig: No	Spatial Sig: No
Arch Code: 03-Movable Non-Electrical	ADA: No
Critical Path: No	Antimicrobial: No
Type: Medical	Green: No
Furnish Install: Owner / Owner	

Physical Requirements

Width (in.): 11.0000	Left (in.): N/A
Depth (in.): 16.0000	Right (in.): N/A
Height (in.): 39.0000	Front (in.): N/A
Product Weight (lbs): 21.0000	Back (in.): N/A
Max Operating Weight (lbs):	Top (in.): N/A
Mounting: Floor - Mobile	Bottom (in.): N/A
Specification notes:	

Structural Requirements

Seismic: No	OPA #:
	Pre-Approval:
Structural notes:	

Technology Requirements

Patient Data: No	Network:
Connection Type: N/A	System:
Technical Connection notes:	

Electrical Requirements

Volts:	Watts: N/A
Hz: N/A	Amps: N/A
KVA:	Circuit: No
UPS: N/A	Plug Type: N/A
Emerg. Power: No	Plug Detail:
Other Volts Avail.: No	Electrical Phase: N/A
BTU/hr: N/A	
Electrical notes:	

Utility Requirements

Water - Cold: No	Gas Type:
Water - Hot: No	Gas Location:
Water - Treated: No	Medical Gas: No
Drain: No	Vent Type:
Drain Location:	Heat Dissipation: N/A
Steam: No	Dissipation Type: Actual
Vacuum - Den. / Med.: No/No	
Plumbing notes:	
Mechanical notes:	

Locations

Level	Arch Dept	Room	Room #	Status	Item Qty	Ext Total Config
Level 7	Respiratory Therapy	RT Clean Storage	7719	New	2	\$364.00
Level 7	Patient Care Support	Clean Supply	7512, 7718, 7812	New	1	\$546.00
Level 7	Patient Care Support	Soiled Work	7520, 7820	New	1	\$364.00

Total: 7

Product Information Supplement

CR-DC06E

Twelve E,D,C, M9 Cylinder Rack



- Holds 6 E,D,C or M9 Cylinders
- Dual Lifting / Easy Push Handles
- 5" Heavy Duty Quiet Easy Roll Casters (with 2 brakes)
- Modular knockdown design substantially saves on shipping
- Dual Welded Steel Construction
- Standard Chrome Plate finish
- Optional charge for color code choices in Green for full cylinders, Red, for empty cylinders and Yellow partial cylinders
- Helps achieve Joint Commission requirements

*Dimensions (11" wide X 16" long X 39" tall) weight 21 lbs
Cylinders not included*



*...now choose from
color choices!!*

***6 cylinder version shown...*



GREEN
Full Cylinders

CR-DC06E-G



RED
Empty Cylinders

CR-DC06E-R



Yellow
Opened Cylinders

CR-DC06E-Y

Phone: (800) 327-5397 Fax: (805) 437-7098

www.WTFarley.com





Model: i-STAT 1 Downloader Recharger Kit (DRC-300)
Category: Docking Station
Subcategory: Analyzer, Blood Gas, POC
Manufacturer: Abbott Point of Care Inc
Catalog #: 04P73-04

Atta 3 ID: DCK-56295

Docking station for i-STAT 1 Point-of-Care Blood Gas Analyzer. Downloads/converts infrared transmission signals from i-Stat test records to electrical form and transmits them via USB or network to Data Manager PC. Recharges batteries installed into i-Stat or battery alone placed into recharging compartment.

General Production Detail

Arch Sig: Yes	Spatial Sig: No
Arch Code: 02-Movable Electrical	ADA: No
Critical Path: No	Antimicrobial: No
Type: Medical	Green: No
Furnish Install: Owner / Owner	

Physical Requirements

Width (in.): 4.1200	Left (in.): N/A
Depth (in.): 9.6000	Right (in.): N/A
Height (in.): 5.0000	Front (in.): N/A
Product Weight (lbs): 2.0000	Back (in.): N/A
Max Operating Weight (lbs):	Top (in.): N/A
Mounting: Counter/Cart/Table/Pole	Bottom (in.): N/A
Specification notes:	

Structural Requirements

Seismic: No	OPA #:
	Pre-Approval:
Structural notes:	

Technology Requirements

Patient Data: No	Network:
Connection Type: Data	System:
Technical Connection notes:	

Electrical Requirements

Volts: 120	Watts: 132.0000
Hz: 60	Amps: 1.1000
KVA:	Circuit: No
UPS: N/A	Plug Type: Type B (Nema 5-15)
Emerg. Power: No	Plug Detail:
Other Volts Avail.: Yes	Electrical Phase: Single Phase
BTU/hr: N/A	
Electrical notes:	

Utility Requirements

Water - Cold: No	Gas Type:
Water - Hot: No	Gas Location:
Water - Treated: No	Medical Gas: No
Drain: No	Vent Type:
Drain Location:	Heat Dissipation: N/A
Steam: No	Dissipation Type: Actual
Vacuum - Den. / Med.: No/No	
Plumbing notes:	
Mechanical notes:	

Locations

Level	Arch Dept	Room	Room #	Status	Item Qty	Ext Total Config
Level 7	Respiratory Therapy	RT Clean Storage	7719	New	1	\$1,026.14

Total: 1



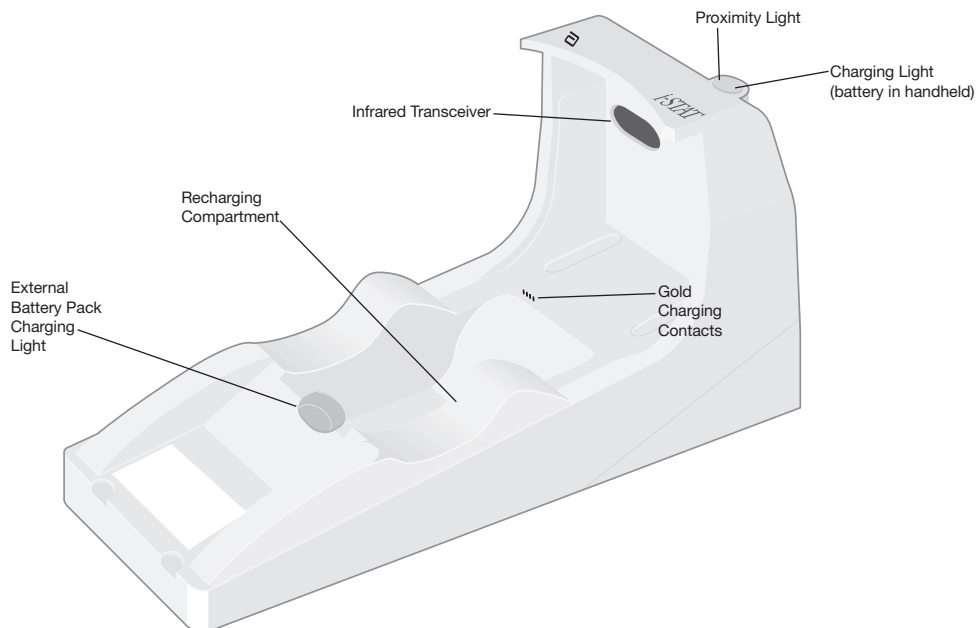
i-STAT[®] TECHNICAL BULLETIN

THE i-STAT[®] 1 DOWNLOADER/RECHARGER (MODEL NUMBER DRC-300)

OVERVIEW

This Technical Bulletin describes the instructions for using the new i-STAT[®] 1 Downloader/Recharger (DRC), which is used to:

- convert infrared transmission signals from i-STAT 1 handheld test records to electrical form and transmit them via USB or network cabling to the Data Manager.
- convert electrical signals from the Customization Workspace of the Data Management application to infrared transmissions, and transmit them to the i-STAT 1 handheld.
- recharge the rechargeable battery installed in the i-STAT 1 handheld or a rechargeable battery installed in the recharging compartment of the DRC.



If you have questions regarding the information in this Technical Bulletin, please contact Abbott Point of Care Technical Support at 800-366-8020, option 1, or by email at techsvc@apoc.abbott.com.



TABLE OF CONTENTS

SECTION TITLE	PAGE NUMBER
Identification of the New i-STAT 1 Downloader/Recharger	2
Specifications of the DRC-300	3
Power Supply Specifications	3
DRC Indicator LEDs	3
Power Requirements	4
Cautions	4
Running Cartridges in a Handheld Docked in the DRC	4
DRC Effect on Ambient Operating Temperature Range	4
Transmitting Data from the DRC to the Data Manager	5
Transmitted Information	5
Charging Batteries Before Use	5
Rechargeable Battery Life	5
Charging a Rechargeable Battery While Installed in the Handheld	6
Charging a Rechargeable Battery in the External Recharge Compartment	6
Configuring the i-STAT 1 DRC for Network Operation	6
Connecting and Wiring the DRC for Network Communication	13
Configuring the i-STAT 1 DRC for Serial Operation	14
Option 1: Installation Using Windows Hardware Wizard	14
Option 2: Installation Using a Driver Installer File	16
Connecting and Wiring the DRC for Serial Communication	19
USB Driver Uninstallation	19
Configuring the CDS Software for Serial Communication	20

IDENTIFICATION OF THE NEW i-STAT 1 DOWNLOADER/RECHARGER

Previously, there were two separate versions of the i-STAT 1 Downloader/Recharger; one with serial connection capabilities to the Data Manager (DRS) and one with network connection capabilities to the Data Manager (DRN). To distinguish the new DRC from the previous DRS and DRN downloader/recharger versions, look at the Model Number label on the underside of the downloader/recharger. The new downloader/recharger will have a MN DRC-300 (Figure 1).



Figure 1

SPECIFICATIONS OF THE DRC-300

Specification	
Size	4.12in (10.4cm) Wide 9.60in (24.4cm) Long 5.00in (12.7cm) High
Weight	1.2 lbs (0.55kg)
Power	AC-DC power adapter Input 12Vdc
Operating Temperature	0 - 40°C 32 - 104°F
Storage Temperature	-20 - 50°C -4 - 122°F
Pollution Degree (Allowable ambient pollution level)	2
Installation Category (Allowable overvoltage specification)	2
Communication to Data Manager	USB, or Network
Communication Link to and From Handheld	Infrared Transceiver
Indicator LEDs Power Proximity Charge	N/A Blue Red/Green
Configuration	By host computer

Note: This product has been tested to the requirements of CAN/CSA-C22.2 No. 61010-1, second edition, including Amendment 1, or a later version of the same standard incorporating the same level of testing requirements.

POWER SUPPLY SPECIFICATIONS

Specification	
Input	100 – 240V- 50 – 60Hz 1.1A
Output	12Vdc 3A max

DRC INDICATOR LEDs

Handheld Battery LED (near top of the DRC)	
Off	No Rechargeable Battery
Blinking Red	Fast Charge Pending
Solid Red	Fast Charging
Solid Green	Trickle Charging

Spare Battery (near middle of DRC)	
Off	No Rechargeable Battery
Green	Trickle Charging

POWER REQUIREMENTS

The DRC requires one power outlet. The DRC must be used with the AC power supply adapter supplied with the DRC. Using the Y-Splitter cable, the DRC power supply can be used to supply power to the i-STAT Printer (Model Number PR-300), which reduces the number of power outlets required in the downloading and printing area.

CAUTIONS

- The DRC is not intended for use in the patient environment (within 1.5 meters of the physical location of the patient).
- Users should not connect the DRC to a medical electrical system.
- Do not place metal objects on or near the exposed gold charging contacts.
- Be sure to install all cables and power supplies so they do not post a trip hazard. Mount equipment so cables and accessories stay clear of walkways. The AC power supply adapter plug acts as a disconnect device for the DRC, and therefore, the socket outlet must be installed (or located) near the DRC and must be easily accessible.
- Use only the AC power supply provided with the DRC-300 to power the DRC-300.
- Only APOC provided printers may be connected to the DRC printer port.
- If using a Martel Printer, use the power supply that came with the Martel Printer and **not** the Y-Splitter cable provided with the DRC.
- A network cable and USB cable may NOT be connected to the DRC at the same time.
- If using rechargeable batteries to power the handheld, use only rechargeable batteries and recharging equipment supplied by your APOC distributor. Other batteries and rechargers may affect test results and pose other hazards to operators and patients.
- A falling handheld may cause injury. Always place the handheld and peripherals on a stable surface or in a location where it will not cause injury if dropped.

RUNNING CARTRIDGES IN A HANDHELD DOCKED IN THE DRC

All i-STAT Cartridges may be run in handhelds that are docked in the DRC.

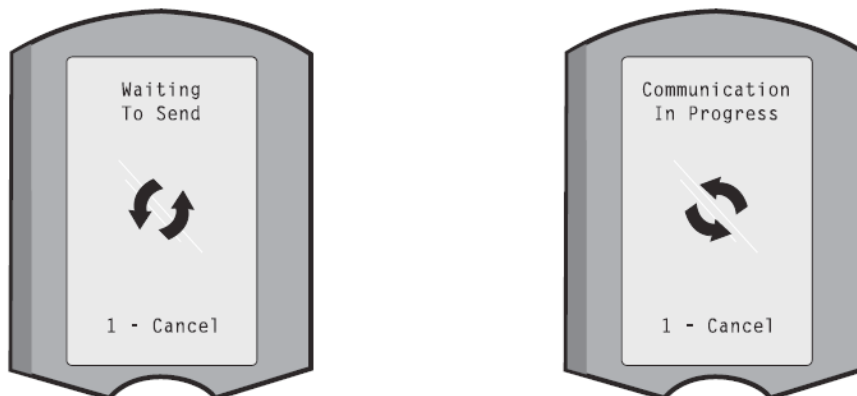
DRC AFFECT ON AMBIENT OPERATING TEMPERATURE RANGE

The operating temperature for an i-STAT 1 handheld is 16°C to 30°C. The DRC and Rechargeable Battery may raise the temperature of the i-STAT 1 handheld 2°C-3°C relative to the ambient temperature if:

- The handheld is frequently lifted and replaced into the DRC
- Multiple cartridges are run in the handheld while it is in the DRC.

TRANSMITTING DATA FROM THE DRC TO THE DATA MANAGER

1. Place handheld in the DRC's cradle. If properly aligned, the blue proximity light will turn on and a "Waiting to Send" message will be displayed on the handheld until communication is established with the Data Manager.
2. Once the handheld establishes communication with the Data Manager, a "Communication in Progress" message will then appear on the handheld display and the arrows will circle until the transmission is complete.



Note: Do not move handheld until the "Communication in Progress" message disappears.

TRANSMITTED INFORMATION

The following information is transmitted from the i-STAT 1 handheld with each test record:

- Date and time the test was performed
- Operator and Patient ID or Quality Test fluid lot number
- All information entered by the operator, e.g. lot numbers, sample types, and comment codes
- Result(s)
- Serial number of the handheld
- Uses count on the handheld
- Application software version in the handheld
- CLEW standardization software in the handheld

CHARGING BATTERIES BEFORE USE

Place a new rechargeable battery in the recharging compartment on the DRC for 40 hours. The battery will then be 100% charged and ready for use. A handheld with disposable batteries may be placed on the DRC to download data until the rechargeable battery is ready.

RECHARGEABLE BATTERY LIFE

A fully charged battery, if not periodically recharged, will self-discharge in approximately 3 months. Prevent self-discharge of the battery by either:

- Keeping the rechargeable battery in a handheld that is periodically placed on the DRC, or
- Storing the rechargeable battery separately in the external charging bay on the DRC.

CHARGING A RECHARGEABLE BATTERY WHILE INSTALLED IN THE HANDHELD

Placing a handheld containing the rechargeable battery in the DRC will automatically initiate charging of the rechargeable battery. The indicator light on top of the DRC will be:

- **green** (trickle charge),
- **red** (fast charge), or
- **blinking red** (fast charge pending).

Note: No damage will be caused if a handheld with disposable batteries installed is placed in the DRC.

CHARGING A RECHARGEABLE BATTERY IN THE EXTERNAL RECHARGE COMPARTMENT

Placing a rechargeable battery into the external recharging compartment will automatically initiate trickle recharging. The indicator light near the recharging compartment will be green when a rechargeable battery is placed in the compartment.

1. The battery pack has 2 labels: one for orientation in the handheld and one for orientation in the DRC. With the label with the Downloader facing up and the electrical contact end of the pack facing the contacts in the battery compartment, insert the pack into the compartment as shown on the label.
2. To remove the battery after it is charged, back the pack out of the compartment.

CONFIGURING THE i-STAT 1 DRC FOR NETWORK OPERATION

This section includes procedures to configure the i-STAT 1 DRC to transmit data between the i-STAT 1 handheld and the Data Manager PC running the i-STAT Central Data Station (CDS) or i-STAT/DE. Successful programming of the i-STAT 1 DRC for network operation requires the completion of all of the following steps in chronological order.

Note 1: Example screenshots were captured with Windows® XP and are for example purposes only. The appearance of your screens may differ.

Note 2: To perform the following steps, it may be necessary to log into the Windows PC with Administrator rights.

Note 3: If the MAC address of the DRC is required, it will be displayed on the Current Settings screen, shown below at Step 10.

Note 4: It may be necessary to increase the number of simultaneous connections allowed by your data manager to 256 in order to maintain data transmissions to your data manager after installing a DRC-300 on your facility's network. This action does not apply when using a DRC-300 for USB serial communication.

The following instructions will increase the number of simultaneous connections allowed by your data manager (Central Data Station or i-STAT/DE):

Central Data Station (CDS) Customers

1. Shut down the Central Data Station program.
2. From your computer desktop, select **Start** and then **Run**.
3. In the **Open** field, type **WCDS32 configfull** then press **OK**.
4. At the i-STAT Central Data Station Customization window, select the **Network** tab.

Note: If the "Enable network communications" box is not checked then network communication is not enabled at your facility and these actions do not apply to you.

5. At the "**Maximum number of simultaneous network connections**" selection box, increase the number of connections to **<256>**
6. Click **Accept**. The Central Data Station will then automatically launch with 256 available connections.
7. You may now continue uploading as normal.

Data Exchange (DE) Customers

i-STAT DE is used with Abbott Diabetes Care PrecisionWeb® and Medical Automation Systems RALSPlus®. Before starting with these steps, consult with your IT department. Steps 1 and 6 may require their support.

1. Identify the DE Server name. Use this information in step 2.
2. Using Internet Explorer, type <http://<ServerName>/istatdesystem> where <ServerName> is the DE Server name identified in step 1, into the address line and then press **ENTER**
3. At the i-STAT/DE System–Main/Status page, select **View/Set Configuration**.
4. At the "**Maximum simultaneous connections**" selection box, increase the number of connections to <256>.
5. Click **OK**.
6. Reboot the i-STAT DE Server. i-STAT DE will then start with 256 connections.
7. You may now continue uploading as normal.

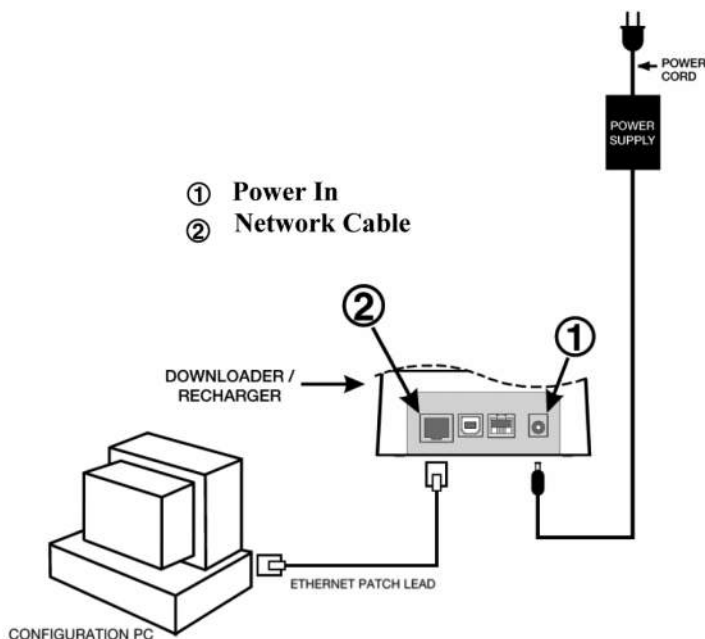
1. Preparation: Determine for each DRC to be configured:

- IP Address (on the same network as the Data Manager PC)
- Gateway Address
- Subnet Mask.
- IP Address of Data Manager

2. Windows 7: Do NOT connect the i-STAT 1 DRC to a PC. Depending on the Domain policies, Windows 7 needs network connectivity in order to access network TCP/IP settings.

Windows XP: Connect the i-STAT 1 DRC to a PC using a standard network cable as shown in the figure below. **Do not apply power to the DRC at this time.** If your PC is already connected to the network, unplug the network cable from the wall and connect it to the DRC.

Note 2.1: Use a standard network cable. A crossover cable is not required.



3. Windows 7: Change the PC Network Configuration to detect the DRC. On the PC, click **Start** → **Control Panel** → **Network and Internet** (if shown, skip if not) → **Network and Sharing Center** → **View network status and tasks**.

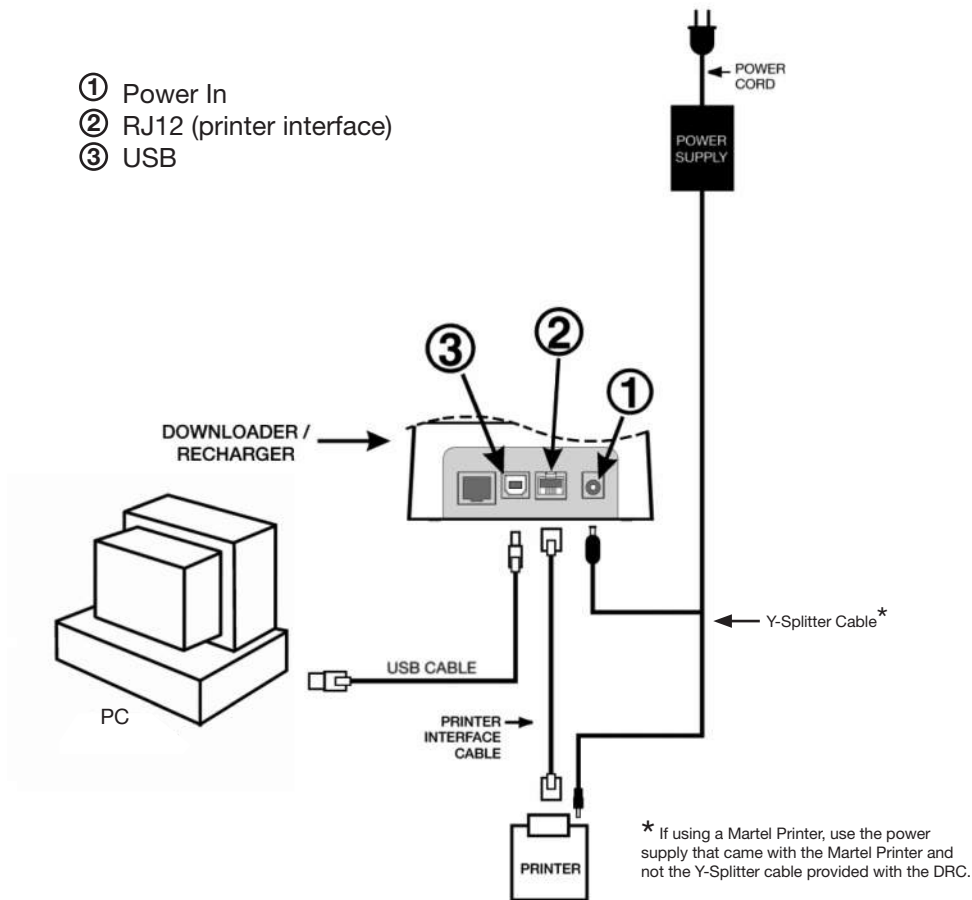
Windows XP: Change the PC Network Configuration to detect the DRC. On the PC, click **Start** → **Settings** → **Control Panel** → **Network and Internet Connections** (if listed) → **Network Connections**.

CONNECTING AND WIRING THE i-STAT 1 DRC FOR SERIAL COMMUNICATION

Note: For successful data transmission to occur, the USB cable should first be connected between the DRC and the PC prior to installing or opening the CDS or JammLite applications.

The following diagram shows how to connect the DRC to the Data Manager via USB connection, and how to connect the portable printer to the DRC for communication. The required parts are:

- USB Cable
- Printer Interface Cable
- Downloader Recharger Power Supply
- Y-Splitter Cable (Optional)



USB DRIVER UNINSTALLATION

1. USB Driver Uninstallation for Windows XP

Caution: Disconnect the DRC-300 from the PC before proceeding.

1.1 Using Internet Explorer, navigate to:
<http://www.abbottpointofcare.com/Customer-Support.aspx>

1.2 The following link is listed under the “Useful Customer Information “ section:

- USB Driver **Uninstaller** for DRC-300 Downloader/Recharger.
 - This link allows you to download a utility file (**CDMuninstallerGUI.exe**) which can be used to uninstall FTDI USB drivers from a PC.

Note 1.1: This utility is only compatible with Windows XP and higher.

Note 1.2: Other FTDI USB device drivers with vendor ID: 0403 and ProductID: 6001 will be uninstalled using the same uninstallation process.

- Instructions for the Windows XP USB Uninstaller utility can be found on the FTDI website at www.ftdichip.com

2. USB Driver Uninstaller for Windows 2000

2.1 Connect the DRC-300 USB cable to the PC.

2.2 Select **Start** → **Settings** → **Control Panel** → **Performance and Maintenance (if listed)** → **System** to launch the “System Properties” dialog box.

2.3 Select the **Hardware** tab, and click **Device Manager** to show the list of devices.

2.4 Expand “Ports (COM & LPT) to list all the COM Ports. Right-click on the **USB Serial Port** device entry associated with the DRC and select **Properties**. A “USB Serial Port Properties” dialog box will open.

2.5 Select the **Driver** tab. Click **Uninstall** and then click **OK** when the warning message appears.

CONFIGURING THE CDS SOFTWARE FOR SERIAL COMMUNICATION

See the Central Data Station section of the i-STAT 1 System Manual for instructions on configuring the CDS application for receiving serial data transmissions.

i-STAT is a registered trademark of the Abbott Group of Companies in various jurisdictions.



Model: LIFEPAK 15 (Basic)
Category: Defibrillator
Subcategory: Monitor, w/Pacing
Manufacturer: Stryker - Emergency Care
Catalog #: 99577-001930

Atta 3 ID: DFB-1F0E0

Monitor defibrillator w/pacing. Features: With Adaptive Biphasic, Manual and AED, Color LCD Display, CRP Metronome, Noninvasive Pacing, 100mm Printer. Provides continuous ST-segment monitoring in all 12 ECG leads to identify STEMI and alert for ST-segment changes.

General Production Detail

Arch Sig: Yes	Spatial Sig: No
Arch Code: 02-Movable Electrical	ADA: No
Critical Path: No	Antimicrobial: No
Type: Medical	Green: No
Furnish Install: Owner / Owner	

Physical Requirements

Width (in.): 16.0000	Left (in.): N/A
Depth (in.): 9.2500	Right (in.): N/A
Height (in.): 12.5000	Front (in.): N/A
Product Weight (lbs): 19.0000	Back (in.): N/A
Max Operating Weight (lbs):	Top (in.): N/A
Mounting: Counter/Cart/Table/Pole	Bottom (in.): N/A
Specification notes:	

Structural Requirements

Seismic: No	OPA #:
	Pre-Approval:
Structural notes:	

Technology Requirements

Patient Data: No	Network:
Connection Type: N/A	System:
Technical Connection notes:	

Electrical Requirements

Volts: 120	Watts: 168.0000
Hz: 60	Amps: 1.4000
KVA:	Circuit: No
UPS: N/A	Plug Type: Type B (Nema 5-15)
Emerg. Power: Yes	Plug Detail:
Other Volts Avail.: Yes	Electrical Phase: Single Phase
BTU/hr: N/A	
Electrical notes:	

Utility Requirements

Water - Cold: No	Gas Type:
Water - Hot: No	Gas Location:
Water - Treated: No	Medical Gas: No
Drain: No	Vent Type:
Drain Location:	Heat Dissipation: N/A
Steam: No	Dissipation Type: Actual
Vacuum - Den. / Med.: No/No	
Plumbing notes:	
Mechanical notes:	

Locations

Level	Arch Dept	Room	Room #	Status	Item Qty	Ext Total Config
Level 7	Patient Care Support	Equipment Alcove	7516, 7713, 7819	New	1	\$47,107.50

Total: 3



LIFEPAK[®] 15 MONITOR/DEFIBRILLATOR
For Emergency Medical Services

SPECIFICATIONS

GENERAL

The LIFEPAK 15 monitor/defibrillator has six main operating modes:

AED Mode: for automated ECG analysis and a prompted treatment protocol for patients in cardiac arrest.

Manual Mode: for performing manual defibrillation, synchronized cardioversion, noninvasive pacing, and ECG and vital sign monitoring.

Archive Mode: for accessing stored patient information.

Setup Mode: for changing default settings of the operating functions.

Service Mode: for authorized personnel to perform diagnostic tests and calibrations.

Demo Mode: for simulated waveforms and trend graphs for demonstration purposes.

PHYSICAL CHARACTERISTICS

Weight:

Basic monitor/defibrillator with new roll paper and two batteries installed: 8.6 kg (18.9 lb)

Fully featured monitor/defibrillator with new roll paper and two batteries installed: 9.1 kg (20.1 lb)

Lithium-ion battery: 0.59 kg (1.3 lb)

Accessory Bags and Shoulder Strap: 1.77 kg (3.9 lb)

Standard (hard) Paddles: 0.95 kg (2.1 lb)

Height: 31.7 cm (12.5 in)

Width: 40.1 cm (15.8 in)

Depth: 23.1 cm (9.1 in)

DISPLAY

Size (active viewing area): 212 mm (8.4 in) diagonal; 171 mm (6.7 in) wide x 128 mm (5.0 in) high

Resolution: display type 640 dot x 480 dot color backlit LCD

User Selectable Display Mode: full color or SunVue™ display high contrast

Display: a minimum of 5 seconds of ECG and alphanumeric for values, device instructions, or prompts

Display: up to three waveforms

Waveform Display Sweep Speed: 25 mm/sec for ECG, SpO₂, IP, and 12.5 mm/sec for CO₂

DATA MANAGEMENT

The device captures and stores patient data, events (including waveforms and annotations), and continuous waveform and patient impedance records in internal memory.

The user can select and print reports, and transfer the stored information via supported communication methods.

Report Types:

- Three format types of CODE SUMMARY™ critical event record: short, medium, and long
- 12-lead ECG with STEMI statements
- Continuous Waveform (transfer only)
- Trend Summary
- Vital Sign Summary
- Snapshot

Memory Capacity: Total capacity is 360 minutes of continuous ECG, 90 minutes of continuous data from all channels, or 400 single waveform events.

Maximum memory capacity for a single patient includes up to 200 single waveform reports and 90 minutes of continuous ECG.

COMMUNICATIONS

The device is capable of transferring data records by wired or wireless connection. This device complies with Part 15 of the FCC rules, and its operation is subject to the following two conditions: (1) this device may not cause harmful interference, and (2) this device must accept any interference received,

including interference that may cause undesired operation.

Serial Port RS232 communication + 12V available

Limited to devices drawing maximum 0.5 A current

Bluetooth® technology provides short-range wireless communication with other Bluetooth-enabled devices

MONITOR

ECG

ECG is monitored via several cable arrangements:

A 3-wire cable is used for 3-lead ECG monitoring.

A 5-wire cable is used for 7-lead ECG monitoring.

A 10-wire cable is used for 12-lead ECG acquisition. When the chest electrodes are removed, the 10-wire cable functions as a 4-wire cable.

Standard paddles or QUIK-COMBO pacing/defibrillation/ECG electrodes are used for paddles lead monitoring.

Frequency Response:

Monitor: 0.5 to 40 Hz or 1 to 30 Hz

Paddles: 2.5 to 30 Hz

12-lead ECG diagnostic: 0.05 to 150 Hz

Lead Selection:

Leads I, II, III, (3-wire ECG cable)

Leads I, II, III, AVR, AVL, and AVF acquired simultaneously (4-wire ECG cable)

Leads I, II, III, AVR, AVL, AVF, and C lead acquired simultaneously (5-wire ECG cable)

Leads I, II, III, AVR, AVL, AVF, V1, V2, V3, V4, V5, and V6 acquired simultaneously (10-wire ECG cable)

ECG size: 4, 3, 2.5, 2, 1.5, 1, 0.5, 0.25 cm/mV (fixed at 1 cm/mV for 12-lead)

Heart Rate Display:

20–300 bpm digital display

Accuracy: ±4% or ±3 bpm, whichever is greater

QRS Detection Range Duration: 40 to 120 msec

Amplitude: 0.5 to 5.0 m

Common Mode Rejection (CMRR): ECG Leads: 90 dB at 50/60 Hz

SpO₂/SpCO/SpMet

Sensors:

MASIMO® sensors including RAINBOW® sensors

NELLCOR® sensors when used with the MASIMO RED™ MNC adapter

SpO₂

Displayed Saturation Range: “<50” for levels below 50%; 50 to 100%

Saturation Accuracy: 70–100% (0–69% unspecified)

Adults/Pediatrics:

±2 digits (during no motion conditions)

±3 digits (during motion conditions)

Dynamic signal strength bar graph

Pulse tone as SpO₂ pulsations are detected

SpO₂ Update Averaging Rate User selectable: 4, 8, 12 or 16 seconds

SpO₂ Sensitivity User selectable: Normal, High

SpO₂ Measurement: Functional SpO₂ values are displayed and stored

Pulse Rate Range: 25 to 240 bpm

Pulse Rate Accuracy (Adults/Pediatrics):

±3 digits (during no motion conditions)

±5 digits (during motion conditions)

Optional SpO₂ waveform display with autogain control

SpCO®

SpCO Concentration Display Range: 0 to 40%

SpCO Accuracy: ±3 digits

SpMET®

SpMet Saturation Range: 0 to 15.0%

SpMet Display Resolution: 0.1% up to 10%

SpMet Accuracy: ±1 digit

NIBP

Blood Pressure Systolic Pressure Range: 30 to 255 mmHg

Diastolic Pressure Range: 15 to 220 mmHg

Mean Arterial Pressure Range: 20 to 235 mmHg

Units: mmHg

Blood Pressure Accuracy: ±5 mmHg

Blood Pressure Measurement Time: 20 seconds, typical (excluding cuff inflation time)

Pulse Rate Range: 30 to 240 pulses per minute

Pulse Rate Accuracy: ±2 pulses per minute or ±2%, whichever is greater

Operation Features Initial Cuff Pressure: User selectable, 80 to 180 mmHg

Automatic Measurement Time Interval: User selectable

Automatic Cuff Deflation Excessive Pressure: If cuff pressure exceeds 290 mmHg

Excessive Time: If measurement time exceeds 120 seconds

CO₂

CO₂ Range: 0 to 99 mmHg (0 to 13.2 kPa)

Units: mmHg, %, or kPa

Respiration Rate Accuracy:

0 to 70 bpm: ±1 bpm

71 to 99 bpm: ±2 bpm

Respiration Rate Range: 0 to 99 breaths/minute

Rise Time: 190 msec

Response Time: 3.3 seconds (includes delay time and rise time)

Initialization Time: 30 seconds (typical), 10–180 seconds

Ambient Pressure: automatically compensated internally

Optional Display: CO₂ pressure waveform

Scale factors: Autoscale, 0–20 mmHg (0–4 Vol%), 0–50 mmHg (0–7 Vol%), 0–100 mmHg (0–14 Vol%)

Invasive Pressure

Transducer Type: Strain-gauge resistive bridge

Transducer Sensitivity: 5µV/V/mmHg

Excitation Voltage: 5 Vdc

Connector: Electro Shield: CXS 3102A 14S-6S

Bandwidth: Digital filtered, DC to 30 Hz (< -3db)

Zero Drift: 1 mmHg/hr without transducer drift

Zero Adjustment: ±150 mmHg including transducer offset

Numeric Accuracy: ±1 mmHg or 2% of reading, whichever is greater, plus transducer error

Pressure Range: -30 to 300 mmHg, in six user selectable ranges

Invasive Pressure Display

Display: IP waveform and numerics

Units: mmHg

Labels: P1 or P2, ART, PA, CVP, ICP, LAP (user selectable)

Temperature

Range: 24.8° to 45.2°C (76.6° to 113.4°F)

Resolution: 0.1°C

Accuracy: ±0.2°C including sensor

Reusable Temperature Cable: 5 foot or 10 foot

Disposable Sensor Types: Surface–Skin; Esophageal/Rectal

Trend

Time Scale: Auto, 30 minutes, 1, 2, 4, or 8 hours

Duration: Up to 8 hours

ST Segment: After initial 12-lead ECG analysis, automatically selects and trends ECG lead with the greatest ST displacement

Display Choice of: HR, PR (SpO₂), PR (NIBP), SpO₂ (%), SpCO (%), SpMet (%), CO₂ (EtCO₂/FICO₂), RR (CO₂), NIBP, IP1, IP2, ST

ALARMS

Quick Set: Activates alarms for all active vital signs

VF/VT Alarm: Activates continuous (CPSS) monitoring in Manual mode

Apnea Alarm: Occurs when 30 seconds has elapsed since last detected respiration

Heart Rate Alarm Limit Range: Upper, 100–250 bpm; lower, 30–150 bpm

INTERPRETIVE ALGORITHM

12-Lead Interpretive Algorithm: University of Glasgow 12-Lead ECG Analysis Program, includes AMI and STEMI statements

PRINTER

Prints continuous strip of the displayed patient information and reports

Paper Size: 100 mm (3.9 in)

Print Speed: 25 mm/sec or 12.5 mm/sec

Optional: 50 mm/sec time base for 12-lead ECG reports

Delay: 8 seconds

Autoprint: Waveform events print automatically

Frequency Response:

Diagnostic: 0.05 to 150 Hz or 0.05 to 40 Hz

Monitor: 0.67 to 40 Hz or 1 to 30 Hz

DEFIBRILLATOR

Biphasic Waveform: Biphasic Truncated Exponential

The following specifications apply from 25 to 200 ohms, unless otherwise specified:

Energy Accuracy: ±1 joule or 10% of setting, whichever is greater, into 50 ohms, ±2 joules or 15% of setting, whichever is greater, into 25-175 ohms.

Voltage Compensation: Active when disposable therapy electrodes are attached. Energy output within ±5% or ±1 joule, whichever is greater, of 50 ohms value, limited to the available energy which results in the delivery of 360 joules into 50 ohms.

Paddle Options: QUIK-COMBO® pacing/defibrillation/ECG electrodes (standard). Cable Length 8 foot long (2.4 m) QUIK-COMBO cable (not including electrode assembly).

Standard paddles (optional)

Manual Mode

Energy Select: 2, 3, 4, 5, 6, 7, 8, 9, 10, 15, 20, 30, 50, 70, 100, 125, 150, 175, 200, 225, 250, 275, 300, 325, and 360 joules

Charge Time: Charge time to 360 joules in less than 10 seconds, typical

Synchronous Cardioversion: Energy transfer begins within 60 msec of the QRS peak

Paddles Lead Off Sensing: The transition point at which device changes from assuming that QUIK-COMBO electrodes are properly connected to patient to assuming that electrodes are not connected is 300±50 ohms.

AED Mode

Shock Advisory System™ (SAS): an ECG analysis system that advises the operator if the algorithm detects a shockable or non-shockable ECG rhythm. SAS acquires ECG via therapy electrodes only.

Shock Ready Time: Using a fully charged battery at normal room temperature, the device is ready to shock within 20 seconds if the initial rhythm finding is "SHOCK ADVISED"

Biphasic Output: Energy Shock levels ranging from 150–360 joules with same or greater energy level for each successive shock

cprMAX™ Technology: In AED mode, cprMAX™ technology provides a method of maximizing the CPR time that a patient receives, with the overall goal of improving the rate of survival of patients treated with AEDs.

Setup Options:

– Auto Analyze: Allows for auto analysis. Options are OFF, AFTER 1ST SHOCK

– Initial CPR: Allows the user to be prompted for CPR for a period of time prior to other activity. Options are OFF, ANALYZE FIRST, CPR FIRST

– Initial CPR Time: Time interval for Initial CPR. Options are 15, 30, 45, 60, 90, 120, and 180 seconds.

– Pre-Shock CPR: Allows the user to be prompted for CPR while the device is charging. Options are OFF, 15, 30 seconds.

– Pulse Check: Allows the user to be prompted for a pulse check at various times. Options are ALWAYS, AFTER EVERY SECOND NSA, AFTER EVERY NSA, NEVER

– Stacked Shocks: Allows for CPR after 3 consecutive shocks or after a single shock. Options are OFF, ON

– CPR Time: 1 or 2 User selectable times for CPR. Options are 15, 30, 45, 60, 90, 120, 180 seconds and 30 minutes.

PACER

Pacing Mode: Demand or non-demand rate and current defaults

Pacing Rate: 40 to 170 PPM

Rate Accuracy: ±1.5% over entire range

Output Waveform: Monophasic, truncated exponential current pulse (20 ±1.5 msec)

Output Current: 0 to 200 mA

Pause: Pacing pulse frequency reduced by a factor of 4 when activated

Refractory Period: 180 to 280 msec (function of rate)

ENVIRONMENTAL

Unit meets functional requirements during exposure to the following environments unless otherwise stated.

Operating Temperature: 0° to 45°C (32° to 113°F); -20°C (-4°F) for 1 hour after storage at room temperature; 60°C (140°F) for 1 hour after storage at room temperature

Storage Temperature: -20° to 65°C (-4° to 149°F) except therapy electrodes and batteries

Relative Humidity, Operating: 5 to 95%, non-condensing. NIBP: 15 to 95%, non-condensing

Relative Humidity, Storage: 10 to 95%, non-condensing

Atmospheric Pressure, Operating: -382 to 4,572 m (-1,253 to 15,000 ft). NIBP: -152 to 3,048 m (-500 to 10,000 ft)

Water Resistance, Operating: IP44 (dust and splash resistance) per IEC 529 and EN 1789 (without accessories except for 12-lead ECG cable, hard paddles, and battery pack)

Vibration: MIL-STD-810E Method 514.4, Propeller Aircraft - category 4 (figure 514.4-7 spectrum a), Helicopter - category 6 (3.75 Grms), Ground Mobile - category 8 (3.14 Grms), EN 1789: Sinusoidal Sweep, 1 octave/min, 10-150 Hz, ±0.15 mm/2 g

Shock (drop): 5 drops on each side from 18 inches onto a steel surface EN 1789: 30-inch drop onto each of 6 surfaces

Shock (functional): Meets IEC 60068-2-27 and MIL-STD-810E shock requirements 3 shocks per face at 40 g, 6 ms half-sine pulses

Bump: 1000 bumps at 15 g with pulse duration of 6 msec

Impact, Non-operating: EN 60601-1 0.5 + 0.05 joule impact UL 60601-1 6.78 Nm impact with 2-inch diameter steel ball. Meets IEC62262 protection level IK 04.

EMC: EN 60601-1-2:2001 Medical Equipment - General Requirements for Safety - Collateral Standard: Electromagnetic Compatibility - Requirements and Tests EN 60601-2-4:2003: (Clause 36) Particular Requirements for the Safety of Cardiac Defibrillators and Cardiac Defibrillator-Monitors

Cleaning: Cleaning 20 times with the following: Quaternary ammonium, isopropyl alcohol, hydrogen peroxide

Chemical Resistance: 60 hour exposure to specified chemicals: Betadine (10% Povidone-Iodine solution), Coffee, Cola, Dextrose (5% Glucose solution), Electrode Gel/Paste (98% water, 2% Carbopol 940), HCL (0.5% solution, pH=1), Isopropyl Alcohol, NaCl solution (0.9% solution), Cosmetic discoloration of the paddle well shorting bar shall be allowed following exposure to HCL (0.5% solution).

POWER

Power Adapters: AC or DC

Power Adapters provide operation and battery charging from external AC or DC power

– Full functionality with or without batteries when connected to external AC/DC

– Typical battery charge time while installed in LIFEPAK 15 device is 190 minutes

– Indicators: external power indicator, battery charging indicator

Dual battery: Capability with automatic switching

Low battery indication and message: Low battery fuel gauge indication and low battery message in status area for each battery

Replace battery indication and message: Replace battery fuel gauge indication, audio tones and replace battery message in the status area for each battery. When replace battery is indicated, device auto-switches to second battery. When both batteries reach replace battery condition, a voice prompt instructs user to replace battery.

Battery Capacity For two, new fully-charged batteries, 20°C (68°F)

Operating Mode		Monitoring	Pacing	Defibrillation
		(minutes)	(minutes)	(360J discharges)
Total Capacity to Shutdown	Typical	360	340	420
	Minimum	340	320	400
Capacity After Low Battery	Typical	21	20	30
	Minimum	12	10	6

BATTERY

Battery Specifications

Battery Type: Lithium-ion

Weight: 0.59 kg (1.3 lb)

Voltage: 11.1V typical

Capacity (rated): 5.7 amp hours

Charge Time (with fully depleted battery): 4 hours and 15 minutes (typical)

Battery indicators: Each battery has a fuel gauge that indicates its approximate charge. A fuel gauge that shows two or fewer LEDs after a charge cycle indicates that the battery should be replaced.

Charging Temperature Range: 0° to 50°C (32° to 122°F)

Operating Temperature Range: 0° to 50°C (32° to 122°F)

Short Term (<1 week) Storage Temperature Range: -20° to 60°C (-4° to 140°F)

Long Term (>1 week) Storage Temperature Range: 20° to 25°C (68° to 77°F)

Operating and Storage Humidity Range: 5 to 95% relative humidity, non-condensing



Model:PrisMax System
Category: Dialysis Unit
Subcategory: Renal Replacement
Manufacturer:Baxter Healthcare
Catalog #: 955626

Atta 3 ID: DIA-8E1DB

Renal replacement dialysis unit. Features: 27.5 × 27.5 in. base, 55 to 67 in. H. Includes the primary CPU (control processor, CP) runs at 600 MHz, the secondary CPUs with safety processor (SP) runs at 96 MHz, power system controller (PSC) runs at 24 MHz and display control processor (DCP) runs at 24 MHz. Uses NAND flash memory and 512 MB of SD RAM. Integral 1024 × 768 16-bit color LCD monitor, an alarm occurs if the drip tray detects a leak over 50 ml ±20 ml, 70 to 106 kPa ambient operating air pressure and 61 to 100 degrees F ambient operating temperature.

General Production Detail

Arch Sig: No	Spatial Sig: No
Arch Code: 02-Movable Electrical	ADA: No
Critical Path: No	Antimicrobial: No
Type: Medical	Green: No
Furnish Install: Owner / Owner	

Electrical Requirements

Volts: 120	Watts: 60.0000
Hz: 60	Amps: 0.5000
KVA:	Circuit: No
UPS: N/A	Plug Type: Type B (Nema 5-15)
Emerg. Power: No	Plug Detail:
Other Volts Avail.: Yes	Electrical Phase: Single Phase
BTU/hr: N/A	
Electrical notes:	

Physical Requirements

Width (in.): 27.5000	Left (in.): N/A
Depth (in.): 27.5000	Right (in.): N/A
Height (in.): 67.0000	Front (in.): N/A
Product Weight (lbs): 176.0000	Back (in.): N/A
Max Operating Weight (lbs):	Top (in.): N/A
Mounting: Floor - Mobile	Bottom (in.): N/A
Specification notes:	

Utility Requirements

Water - Cold: No	Gas Type:
Water - Hot: No	Gas Location:
Water - Treated: No	Medical Gas: No
Drain: No	Vent Type:
Drain Location:	Heat Dissipation: N/A
Steam: No	Dissipation Type: Actual
Vacuum - Den. / Med.: No/No	
Plumbing notes:	
Mechanical notes:	

Structural Requirements

Seismic: No	OPA #:
	Pre-Approval:
Structural notes:	

Technology Requirements

Patient Data: No	Network:
Connection Type: Data	System:
Technical Connection notes:	

Locations

Level	Arch Dept	Room	Room #	Status	Item Qty	Ext Total Config
Level 7	Patient Care Support	Equipment Storage (West)	7822	New	2	\$111,394.50

Total: 2

Specifications

Environmental

Table Environmental specifications

Ambient operating air pressure	70–106 kPa
Ambient operating temperature	16–38°C (61–100°F)
Ambient operating humidity	<p>Lower limit: 15% RH (non-condensing) at 16–38°C (61–100°F)</p> <p>Upper limit: 85% RH (non-condensing) at 16–28°C (61–82°F)</p> <p>At temperatures between 28–38°C (82–100°F), the upper limit is reduced by 2% per °C. The maximum operating humidity is 65% RH (non-condensing) at the maximum ambient temperature 38°C (100°F).</p>
Transport and storage temperature	<p>-18 to +54°C (0–130°F)</p> <p>Allow unit to acclimate at ambient operating temperature for at least one hour before use.</p>
Transport and storage humidity	10–85% RH (non-condensing at 35°C, 95°F)
Transport and storage air pressure	50–106 kPa (375–795 mmHg)

Control unit interior air temperature	Maximum 55°C (131°F) at air outflow port when the external temperature is 38°C (100°F).
Maximum drain temperature	Auto effluent (AE) accessory: 38°C (100°F)
Loudness of device during normal operation	<p>Less than 65 dB(A) over a 24-hour period, measured at a distance of 0.5 m from the device during normal operation (no alarm condition).</p> <p>Conforms to IEC 60601-1 [ed3.0] [2005-12] Medical electrical equipment - General requirements for basic safety and essential performance (section 9.6.2.1 specifications).</p> <p>Maximum alarm loudness complies with applicable standards for hazard noise levels. Alarm sounds are intermittent (not continuous).</p>
Speaker loudness (main and backup)	Capable of generating 65–75 dB(A) at one meter.
Vibration/shock during transportation	<p>The control unit can operate in Therapy mode and Service mode when exposed to:</p> <ul style="list-style-type: none"> • Sinusoidal vibration according to IEC 60068-2-6 [ed7.0] [2007-12]: Environmental testing - Part 2-6: Tests - Test Fc: Vibration (sinusoidal). • Random vibration, wide band, general requirements according to IEC 60068-2- 64 [ed2.0] [2008]: Environmental testing - Part 2-64: Tests - Test FH: vibration, broadband random and guidance. • A bump according to IEC 60068-2-29 [ed2.0b] [1987]: Environmental testing - Part 2-29: Test Eb and guidance: Bump. • Shock according to IEC 60068-2-27 [ed4.0] [2008]: Environmental testing - Part 2-27: Tests - Test Ea and guidance: Shock.

Vibration/shock during operation	Acceleration spectral density (ASD), isotropic, 2–200 Hz ASD $\leq 5 \times 10^{-8}$ g ² /Hz
Fluid protection	IPX1 (protection against vertically falling water drops) as specified in IEC 60529.
Service frequency	Control unit displays a message for periodic maintenance (PM) at the following intervals, whichever comes first: <ul style="list-style-type: none"> • every 6000 hours of operation • after a user-selectable PM interval
Service life	At least 8 years or 24,000 hours of operation, whichever is less.

Physical

Table **Physical specifications**

Weight	Approximately 75–80 kg (165–176 lb) without fluid bags or disposable set, depending on installed options.
Height	Approximately 140–170 cm (55–67 in.)
Width	Approximately 51 cm (20 in.)
Base	Approximately 70 × 70 cm (27.5 × 27.5 in.)
Stability	The control unit complies with IEC 60601-1 [ed3.0].

Hardware

Table Hardware specifications

<p>Microprocessors</p>	<p>The PrisMax system includes several CPUs. The primary CPU (control processor, CP) runs at 600 MHz. Secondary CPUs include:</p> <ul style="list-style-type: none"> • Safety processor (SP) runs at 96 MHz • Power system controller (PSC) runs at 24 MHz • Display control processor (DCP) runs at 24 MHz
<p>Memory devices</p>	<p>The PrisMax system uses NAND flash memory and 512 MB of SD RAM.</p>
<p>SDHC card</p>	<p>32-GB capacity SDHC card for data storage in a Microsoft Windows-compatible format.</p> <p>If software determines that less than 500 MB is available on the SDHC card, the oldest patient logging data is deleted until 500 MB is available.</p> <p>Software stores system calibration data for the 50 most recent calibration updates.</p> <p>Use only Baxter-supplied SDHC cards.</p>
<p>Display</p>	<p>Integral 1024 × 768 16-bit color LCD monitor</p>
<p>Drip tray</p>	<p>An alarm occurs if the drip tray detects a leak over 50 ml ±20 ml.</p>

Medical device classification

Table Medical device classifications

EU	Class II b per Council Directive 93/42/EEC
USA	Class II per FDA 21 CFR 860
Canada	Class III per SOR/98-282
Australia	Class II b per Therapeutic Goods Act 1989, Bill 2002

Scales

Table Scales specifications

<p>Weight range (includes bar tray and carrying bars)</p>	<p>Dialysate, replacement, PBP, effluent, auto effluent (AE): Range 0–11 kg</p> <p>Accuracy:</p> <ul style="list-style-type: none"> • 0–5200 g: ± 7.0 g • 5200–11000 g: ± 14.0 g <p>Assumes scale operation within $\pm 10^{\circ}\text{C}$ ($\pm 50^{\circ}\text{F}$) of calibration temperature.</p>
<p>Maximum allowable bag configuration</p>	<p>Dialysate: 5-L solution bag</p> <p>Replacement: 5-L maximum for replacement solution bag</p> <p>PBP: 5-L solution bag</p> <p>Effluent: 5-L or 9-L effluent bag</p> <p>Auto effluent (AE): 1-L bag</p>
<p>Bag size compatibility</p>	<p>Dialysate, replacement, PBP: if bag hook spacing is compatible, can accommodate bag sizes from 250 ml to 5 L.</p>

Power

Table Power specifications

Line voltage	100–240 VAC, 50/60 Hz
Under- and over- voltage	The PrisMax system's electronic circuits are protected against under- and over- voltage according to IEC 60601-1-2 [2007]: Medical electrical equipment: Part 1-2: General requirements for basic safety and essential performance - Collateral standard: Electromagnetic compatibility - Requirements and tests.
Power entry module fuses	M 6 A H 250V
Power-factor and harmonic distortion correction	<p>Meets these requirements at 230–240 VAC, 50 Hz:</p> <p>IEC 61000-3-2 [1998] Electromagnetic compatibility (EMC). Part 3: Limits - Section 2: Limits - Limits for Harmonic Current Emissions (equipment input current up to and including 16 A per phase)</p> <p>IEC 61000-3-3 [1994] Electromagnetic compatibility (EMC). Part 3: Limits - Section 3: Limitation of voltage fluctuation and flicker in low voltage supply systems for equipment with rated current ≤ 16 A per phase and not subject to conditional connection</p>

Power line transients	<p>The PrisMax system performs to specifications during:</p> <ul style="list-style-type: none"> • Line voltage dropouts: <10 ms • Slow AC surges $\pm 20\%$ nominal over 500 ms transition time <p>Meet requirements of EN 60601-1 [2006] Medical electrical equipment - General requirements for basic safety and essential performance when starting from 0 V and rising to nominal, plus 10% (100 VAC, 120 VAC; 230 VAC; 240 VAC separately) over a one-minute period; this simulates emergency power restoration.</p>
Power cord	<p>The PrisMax system is supplied with a power cord and plug that are standard for the region of use (for example, United States, Europe, or China). See the PrisMax System Service Manual for instructions on attaching or replacing the power cord.</p> <p>Length: 3.5 m (11.5 ft), including plug</p>
Power interruptions	<p>The system comes standard with a lithium battery that will power the system for at least 30 minutes without AC power.</p>
Power	350 VA peak
Average power consumption	<p>Greater than 125 VA (CVHDF treatment). (When battery is charging) 60 VA nominal operation.</p>
Battery characteristics	<p>Nominal voltage: 24 V</p> <p>Capacity: 3700 mAh</p> <p>Lithium Ion Battery (LIB)</p>
Nominal battery voltage	<p>The battery pack supplies a nominal voltage of +24 V $\pm 15\%$.</p>

Minimum battery capacity	Battery pack capacity is at least 3.3 Ah for a minimum of 100 discharge cycles. When fully charged, the battery pack can support blood circulation for 30 minutes.
Battery recharge	The system fully recharges the battery within 4 hours if AC power is present.

Electrical safety

Table Electrical safety specifications

Classification	Mobile, class I, applied part is Type CF, defibrillation-proof per IEC 60601-1.
Operation	Continuous operation
Protection against shock	Class 1/internally powered
Patient leakage current	Conforms to section 8.7 of IEC 60601-1 [ed3.1] [2012] for type CF applied part.
Radio frequency interference	The PrisMax system meets the electromagnetic compatibility (EMC) requirements as specified in the International Electrotechnical Commission's (IEC) 60601-1-2:2014 standard for emissions and immunity. There may be potential difficulties if the monitor is not kept separated from other equipment, such as hand-held transmitters, cellular phones and electrosurgical equipment that may generate strong radio frequency interference (RFI). See "Guidelines and manufacturer's declaration of electromagnetic emissions and immunity", page 329, for the recommended minimum distance.

Use of RFID Technology



WARNING!

Perform testing with the **PrisMax** System in the intended use environment when deployed in proximity to equipment that intentionally generates electromagnetic energy to ensure the **PrisMax** System remains safe and effective.

Perform testing in the intended use environment when using RFID technology. RFID providers should work with healthcare organization in assuring safe deployment and use of RFID near medical electrical equipment and systems. Refer to AIM standard 7351731 Annex L for implementing RAIN RFID systems.

Do not deploy technology that cannot be proven to work in the intended use environment with the **PrisMax** System.

The **PrisMax** system has been proven to work in the intended use environment for signals defined in IEC 60601-1-2:2014 standard for emission and immunity. Signals not specified in the standard, for example 860-960 MHz frequency at 54 V/m using DSB-ASK Modulation, may cause improper operation such as unexpected system errors and interruption in therapy, which can result in serious injury or death.

Electromagnetic compatibility

Meets IEC 60601-1-2.

Potential equalization

A potential equalization terminal is connected to the monitor chassis. It can be used to provide a direct connection between electrical equipment and the potential equalization bus bar of the electrical installation to eliminate potential differences. Do not use this terminal for additional protective grounding. If the use of other equipment constitutes a Medical Electrical System, see IEC 60601-1, Clause 16 for precautions.

External interfaces

Table External interfaces

External interfaces	<p>These external interfaces are electrically isolated to 2 kV:</p> <ul style="list-style-type: none"> • USB • Ethernet • Serial ports (three ports: service, blood warmer communications, remote alarm/nurse call port 2) • Remote alarm (nurse call)
Communications	<p>The following communications capabilities are built into the control unit to allow future expansion:</p> <ul style="list-style-type: none"> • Controller area network (CAN) bus • Inter-integrated circuit (I2C) buses • Internal 3.3 and 5-V connections • Spare internal communications connections: 1 × GPIO, 3 × USB, 1 × RS-232, 2 × I2C, 1 × UART2/HCT, 1 × UART1, 1 × CAN
USB port	Communicates with an external USB 1.0 storage devices.

Ethernet port	<p>Allows communication with external computers via an Ethernet connection with these characteristics:</p> <ul style="list-style-type: none"> • 10 Mbps minimum transfer rate • RJ45 female connector • Indicators: speed (green LED) and traffic activity (orange LED) • Ability to be an IP-addressable device • IP selectable • Ability to run its own TCP/IP stack identifying the device address to the network
Serial ports	<p>The control unit includes three external female 9-pin D-sub RS-232 ports (service, blood warmer communications, remote alarm/nurse call port 2). The ports are configurable from 9600 to 115200 baud. Connect to devices that conform to IEC 60950 (information technology equipment standard).</p>
Remote alarm	<p>The round remote alarm (nurse call) connector includes a relay that can activate a remote visual or audible alarm.</p> <p>Connector sustains maximum 26 VAC at 1 A. The connector relay closes when an alarm occurs. Connector relay opens in case of power failure or power down.</p> <p>Interface conforms to IEC 60601-1-8, section 6.11 (distributed alarm system).</p>



Model: Large Capacity Sharps Disposal (8 Gallon)
Category: Disposal, Sharps
Subcategory: Floor Bin
Manufacturer: Stericycle
Catalog #: 108SRCL

Atta 3 ID: DIS-5D99C

Disposable container designed for the collection of sharps waste. Large, hinged lid and port opening allow for 2 disposal options. Gasketed lid ensures leak resistance. Large container for use on floor or cart. This product is available as single containers or as cases of 10 containers. **Spec sheet not available, specifications used from the Product URL.**

General Production Detail

Arch Sig: No	Spatial Sig: No
Arch Code: 03-Movable Non-Electrical	ADA: No
Critical Path: No	Antimicrobial: No
Type: Medical	Green: No
Furnish Install: Owner / Owner	

Physical Requirements

Width (in.): 16.0000	Left (in.): N/A
Depth (in.): 11.5000	Right (in.): N/A
Height (in.): 16.5000	Front (in.): N/A
Product Weight (lbs): 3.0000	Back (in.): N/A
Max Operating Weight (lbs):	Top (in.): N/A
Mounting: Floor	Bottom (in.): N/A
Specification notes:	

Structural Requirements

Seismic: No	OPA #:
	Pre-Approval:
Structural notes:	

Technology Requirements

Patient Data: No	Network:
Connection Type: N/A	System:
Technical Connection notes:	

Electrical Requirements

Volts:	Watts: N/A
Hz: N/A	Amps: N/A
KVA:	Circuit: No
UPS: N/A	Plug Type: N/A
Emerg. Power: No	Plug Detail:
Other Volts Avail.: No	Electrical Phase: N/A
BTU/hr: N/A	
Electrical notes:	

Utility Requirements

Water - Cold: No	Gas Type:
Water - Hot: No	Gas Location:
Water - Treated: No	Medical Gas: No
Drain: No	Vent Type:
Drain Location:	Heat Dissipation: N/A
Steam: No	Dissipation Type: Actual
Vacuum - Den. / Med.: No/No	
Plumbing notes:	
Mechanical notes:	

Locations

Level	Arch Dept	Room	Room #	Status	Item Qty	Ext Total Config
Level 7	Critical Care	Ante Room	714.2, 715.2, 716.2, 717.2	New	1	\$114.20

Total: 4

Atta 3 ID: DIS-AA09D

Model:
Category: Disposal, Sharps
Subcategory: Floor Cart
Manufacturer:
Catalog #:

Rolls on floor

General Production Detail

Arch Sig: No	Spatial Sig: No
Arch Code: 03-Movable Non-Electrical	ADA: No
Critical Path: No	Antimicrobial: No
Type: Medical	Green: No
Furnish Install: Owner / Owner	

Electrical Requirements

Volts:	Watts: N/A
Hz: N/A	Amps: N/A
KVA:	Circuit: No
UPS: N/A	Plug Type: N/A
Emerg. Power: No	Plug Detail:
Other Volts Avail.: No	Electrical Phase: N/A
BTU/hr: N/A	
Electrical notes:	

Physical Requirements

Width (in.): 15.2500	Left (in.): N/A
Depth (in.): 22.7500	Right (in.): N/A
Height (in.): 31.0000	Front (in.): N/A
Product Weight (lbs): 30.0000	Back (in.): N/A
Max Operating Weight (lbs):	Top (in.): N/A
Mounting: Floor - Mobile	Bottom (in.): N/A
Specification notes:	

Utility Requirements

Water - Cold: No	Gas Type:
Water - Hot: No	Gas Location:
Water - Treated: No	Medical Gas: No
Drain: No	Vent Type:
Drain Location:	Heat Dissipation: N/A
Steam: No	Dissipation Type: Actual
Vacuum - Den. / Med.: No/No	
Plumbing notes:	
Mechanical notes:	

Structural Requirements

Seismic: No	OPA #:
	Pre-Approval:
Structural notes:	

Technology Requirements

Patient Data: No	Network:
Connection Type: N/A	System:
Technical Connection notes:	

Locations

Level	Arch Dept	Room	Room #	Status	Item Qty	Ext Total Config
Level 7	Patient Care Support	Soiled Work	7520, 7820	New	1	\$1,014.00

Total: 2

Model: Clean harbor
Category: Disposal, Sharps
Subcategory: Floor Bin, Pharmacy
Manufacturer: Stericycle
Catalog #:

Atta 3 ID: DIS-BA911

General Production Detail

Arch Sig: No	Spatial Sig: No
Arch Code: 03-Movable Non-Electrical	ADA: No
Critical Path: No	Antimicrobial: No
Type: Medical	Green: No
Furnish Install: Owner / Owner	

Electrical Requirements

Volts:	Watts: N/A
Hz: N/A	Amps: N/A
KVA:	Circuit: No
UPS: N/A	Plug Type: N/A
Emerg. Power: No	Plug Detail:
Other Volts Avail.: No	Electrical Phase:
BTU/hr: N/A	
Electrical notes:	

Physical Requirements

Width (in.):	Left (in.): N/A
Depth (in.):	Right (in.): N/A
Height (in.):	Front (in.): N/A
Product Weight (lbs):	Back (in.): N/A
Max Operating Weight (lbs):	Top (in.): N/A
Mounting:	Bottom (in.): N/A
Specification notes:	

Utility Requirements

Water - Cold: No	Gas Type:
Water - Hot: No	Gas Location:
Water - Treated: No	Medical Gas: No
Drain: No	Vent Type:
Drain Location:	Heat Dissipation: N/A
Steam: No	Dissipation Type:
Vacuum - Den. / Med.: No/No	
Plumbing notes:	
Mechanical notes:	

Structural Requirements

Seismic: No	OPA #:
	Pre-Approval:
Structural notes:	

Technology Requirements

Patient Data: No	Network:
Connection Type: N/A	System:
Technical Connection notes:	

Locations

Level	Arch Dept	Room	Room #	Status	Item Qty	Ext Total Config
Level 7	Pharmacy	Med Room	7521, 7716, 7821	New	1	\$48.00

Total: 3

Model: 841-A Pocket Doppler
Category: Doppler
Subcategory: Ultrasonic, Blood Flow
Manufacturer: Parks Medical Electronics, Inc.
Catalog #: 841-A

Atta 3 ID: DOP-981A4



Ultrasonic blood flow doppler. Pocket size, built-in speaker, auto shutoff, 8 MHz frequency, auxiliary headphone output, plug-in probes. Operates on a 9-volt battery. **No spec sheet available from Supplier. Dimensions from Product Page on Website has been used. Contact Supplier for more information.

General Production Detail

Arch Sig: No **Spatial Sig:** No
Arch Code: 02-Movable Electrical **ADA:** No
Critical Path: No **Antimicrobial:** No
Type: Medical **Green:** No
Furnish Install: Owner / Owner

Electrical Requirements

Volts: **Watts:** N/A
Hz: N/A **Amps:** N/A
KVA: **Circuit:** No
UPS: N/A **Plug Type:** N/A
Emerg. Power: No **Plug Detail:**
Other Volts Avail.: No **Electrical Phase:** N/A
BTU/hr: N/A
Electrical notes:

Physical Requirements

Width (in.): 3.1100 **Left (in.):** N/A
Depth (in.): 5.7500 **Right (in.):** N/A
Height (in.): 1.5000 **Front (in.):** N/A
Product Weight (lbs): 0.8400 **Back (in.):** N/A
Max Operating Weight (lbs): **Top (in.):** N/A
Mounting: Counter/Cart/Table/Pole **Bottom (in.):** N/A
Specification notes:

Utility Requirements

Water - Cold: No **Gas Type:**
Water - Hot: No **Gas Location:**
Water - Treated: No **Medical Gas:** No
Drain: No **Vent Type:**
Drain Location: **Heat Dissipation:** N/A
Steam: No **Dissipation Type:** Actual
Vacuum - Den. / Med.: No/No
Plumbing notes:
Mechanical notes:

Structural Requirements

Seismic: No **OPA #:**
Pre-Approval:
Structural notes:

Technology Requirements

Patient Data: No **Network:**
Connection Type: N/A **System:**
Technical Connection notes:

Locations

Level	Arch Dept	Room	Room #	Status	Item Qty	Ext Total Config
Level 7	Patient Care Support	Equipment Storage (West)	7822	New	2	\$1,400.00
Level 7	Patient Care Support	Equipment Storage (East)	7501	New	2	\$1,400.00

Total: 4



Model: PURELL ES4 (Graphite)
Category: Dispenser
Subcategory: Hand Sanitizer, Wall Mount
Manufacturer: GOJO Industries
Catalog #: 5024-01

Atta 3 ID: DSP-23857

Wall mounted hand sanitizer dispenser. Features: Lightweight PET plastic bottle, mixed material collar, mixed material plastic pump, ABS plastic dispenser (recycling code number 7), Lock Or Not technology, Sanitary Sealed, At-A-Glance design, touch-free dispensing, Energy-on-the-Refill, with no batteries. ADA compliant. Ships 1/case.

General Production Detail

Arch Sig: Yes	Spatial Sig: No
Arch Code: 01-Fixed Equipment	ADA: Yes
Critical Path: No	Antimicrobial: No
Type: Non-Medical	Green: No
Furnish Install: Owner / Contractor	

Electrical Requirements

Volts:	Watts: N/A
Hz: N/A	Amps: N/A
KVA:	Circuit: No
UPS: N/A	Plug Type: N/A
Emerg. Power: No	Plug Detail:
Other Volts Avail.: No	Electrical Phase: N/A
BTU/hr: N/A	
Electrical notes:	

Physical Requirements

Width (in.): 5.5100	Left (in.): N/A
Depth (in.): 3.8800	Right (in.): N/A
Height (in.): 14.1200	Front (in.): N/A
Product Weight (lbs): 1.1800	Back (in.): N/A
Max Operating Weight (lbs):	Top (in.): N/A
Mounting: Wall	Bottom (in.): 8.0000
Specification notes:	

Utility Requirements

Water - Cold: No	Gas Type:
Water - Hot: No	Gas Location:
Water - Treated: No	Medical Gas: No
Drain: No	Vent Type:
Drain Location:	Heat Dissipation: N/A
Steam: No	Dissipation Type: Actual
Vacuum - Den. / Med.: No/No	
Plumbing notes:	
Mechanical notes:	

Structural Requirements

Seismic: No	OPA #:
	Pre-Approval:
Structural notes:	

Technology Requirements

Patient Data: No	Network:
Connection Type: N/A	System:
Technical Connection notes:	

Locations

Level	Arch Dept	Room	Room #	Status	Item Qty	Ext Total Config
Level 7	Patient Care Support	Clean Supply	7512, 7718, 7812	New	1	\$43.11
Level 7	Progressive Care	Progressive Care	701, 702, 703, 704, 705, 706, 707, 708, 709, 710, 711, 712	New	1	\$172.44
Level 7	Patient Care Support	Nourishment	7514, 7714, 7817	New	1	\$43.11
Level 7	Respiratory Therapy	RT Clean Storage	7719	New	1	\$14.37
Level 7	Patient Care Support	Corridors	--	New	15	\$215.55
Level 7	Critical Care	Critical Care - Patient of Size	720	New	1	\$14.37

Level	Arch Dept	Room	Room #	Status	Item Qty	Ext Total Config
Level 7	Patient Care Support	Soiled Work	7520, 7820	New	1	\$28.74
Level 7	Critical Care	Nurse Station	7512, 7712, 7811, 7813, 7814	New	1	\$71.85
Level 7	Critical Care	Critical Care	718, 719, 722, 723, 724, 725, 726, 727, 728, 729, 730, 731, 732, 733, 734	New	1	\$215.55
Level 7	Critical Care	Ante Room	714.2, 715.2, 716.2, 717.2	New	1	\$57.48
Level 7	Critical Care	Critical Care - Isolation	714, 715, 716, 717	New	1	\$57.48
Level 7	Family Waiting	Toilet (public)	7504, 7505	New	1	\$28.74
Level 7	Family Waiting	EVS	7606	New	1	\$14.37
Level 7	Patient Care Support	Staff Lounge	7518	New	1	\$14.37
Level 7	Progressive Care	Nurse Station	7711, 7812	New	1	\$28.74
Level 7	Pharmacy	Med Room	7521, 7716, 7821	New	1	\$43.11
Level 7	Patient Care Support	Toilet (Staff)	7519, 7824	New	1	\$28.74

Total: 76

Improve Compliance With



Hand Soap

	FMX-20™ 2000 mL	CS4 1250 mL	CS6 1200 mL	ES4 1200 mL	ES6 1200 mL	ES8 1200 mL
--	--------------------	----------------	----------------	----------------	----------------	----------------

PURELL® Hand Soap Dispenser – White	5230-06	5130-01	6530-01	5030-01	6430-01	7730-01
PURELL Hand Soap Dispenser – Graphite	5234-06	5134-01	6534-01	5034-01	6434-01	7734-01

PURELL Food Processing HEALTHY SOAP®

E1 Foam Handwash

A gentle foam handwash that removes common soils associated with food processing.

5283-02	5183-03	6583-02	–	–	–
---------	---------	---------	---	---	---

PURELL Food Processing HEALTHY SOAP

0.5% PCMX Antimicrobial E2 Foam Handwash

A one-step foam handwashing and sanitizing soap for the food processing industry.

5282-02	5132-03	6582-02	–	–	–
---------	---------	---------	---	---	---

* PURELL Food Processing HEALTHY SOAP

BAK E2 Antimicrobial Foam

A one-step foam handwashing and sanitizing soap for the food processing industry.

5294-02	5133-03	6585-02	–	–	–
---------	---------	---------	---	---	---

* PURELL Professional CRT HEALTHY SOAP®

Naturally Clean Fragrance Free Foam

Remarkably mild formulation removes over 99% of dirt and germs without antibacterial ingredients or harsh preservatives.^{6,7,8}

–	–	–	5070-02	6470-02	7770-02
---	---	---	---------	---------	---------



Hand Sanitizer

	ES4 1200 mL	ES6 1200 mL	ES8 1200 mL
--	----------------	----------------	----------------

PURELL Hand Sanitizer Dispenser – White	5020-01	6420-01	7720-01
PURELL Hand Sanitizer Dispenser – Graphite	5024-01	6424-01	7724-01

PURELL MESSENGER™ Floor Stand – White (dispenser included)

PURELL MESSENGER Floor Stand – Graphite (dispenser included)

–	7306-DS-SLV	7308-DS-SLV
–	7316-DS-SLV	7318-DS-SLV

* PURELL Food Processing Advanced Hand Sanitizer E3 Foam

E3 rated, no-rinse hand sanitizer foam designed for use throughout food processing facilities.

5050-02	6450-02	–
---------	---------	---

* PURELL Food Processing Advanced Hand Sanitizer E3 Gel

E3 rated, no-rinse hand sanitizer gel designed for use throughout food processing facilities.

5061-02	6461-02	–
---------	---------	---

PURELL Professional Advanced Hand Sanitizer Foam

Advanced foam hand sanitizer formulation for professional environments.

5054-02	6454-02	7754-02
---------	---------	---------



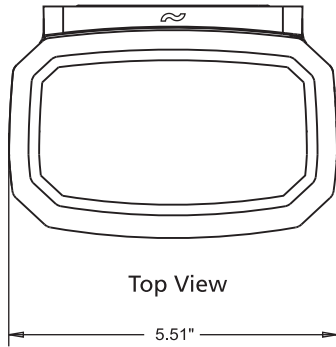
Hand Sanitizing Wipes

	80 ct	100 ct	175 ct	270 ct
--	-------	--------	--------	--------

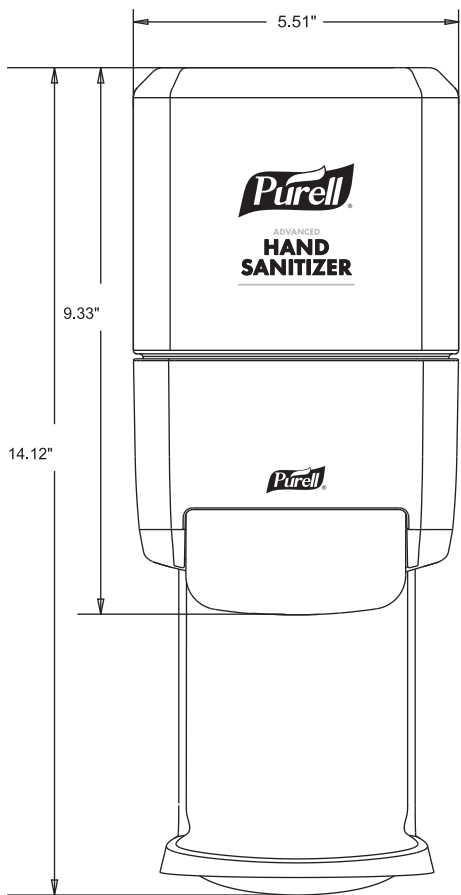
PURELL Hand Sanitizing Wipes Alcohol Formula Durable, non-linting hand sanitizing wipes that remove light soils and dirt.	9030-12	–	9031-06	–
PURELL Hand Sanitizing Wipes Durable, non-linting hand sanitizing wipes that remove light soils and dirt.	–	9111-12	–	9113-06

Meets UL EcoLogo Hand Cleaner Standard UL 2784 or Hand Sanitizer UL 2783 * Meets USDA Certified BioBased standards

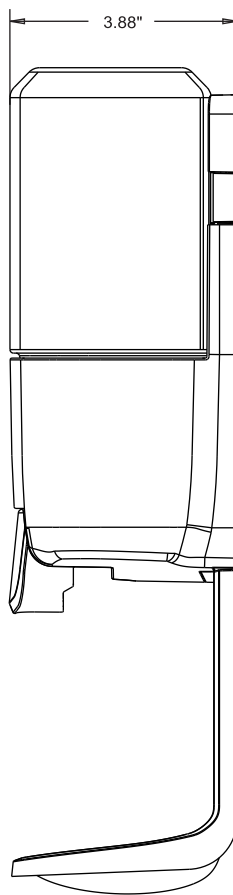
PURELL® ES4 PUSH-STYLE HAND SANITIZER DISPENSER DIMENSIONS



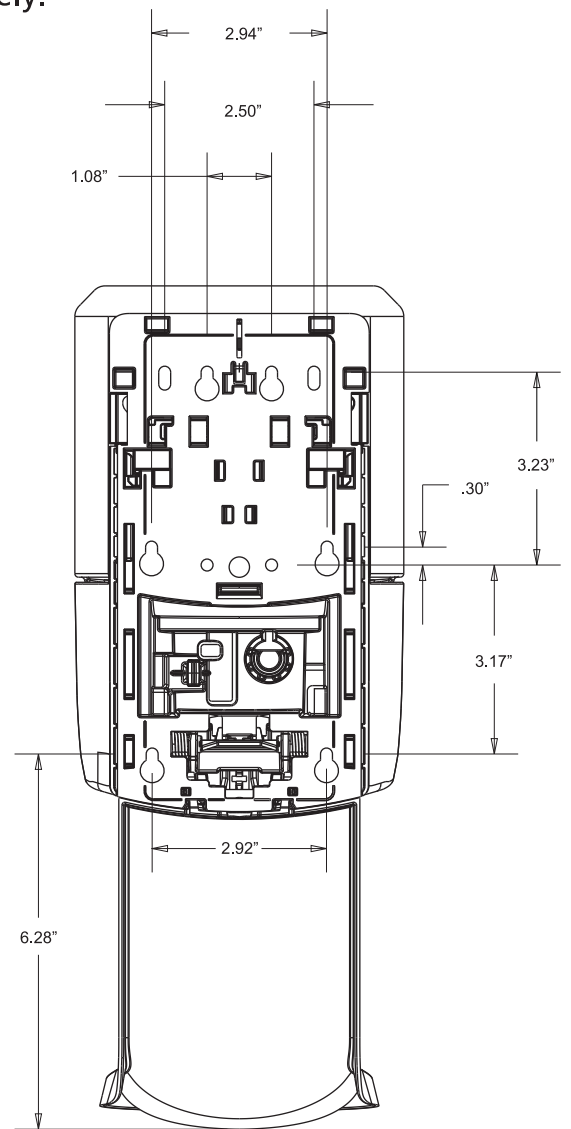
Use the dimensions provided to ensure adequate wall spacing and clearance for the unit.
Refill sold separately.



Front View



Side View



Back View



GOJO Industries, Inc.
One GOJO Plaza, Suite 500
P.O. Box 991 • Akron, OH 44309-0991
Tel: 1-330-255-6000 • Toll-free: 1-800-321-9647
Fax: 1-800-FAX-GOJO

©2017. GOJO Industries, Inc. All rights reserved.

#19980



Model: 521 Series Ear Specula Dispenser [52101]
Category: Dispenser
Subcategory: Otoscope, Specula
Manufacturer: Baxter - Hillrom, Welch Allyn, Inc.
Catalog #: 52101

Atta 3 ID: DSP-260C5

Specula otoscope dispenser. Designed for pneumatic, operating and consulting otoscopes. Ships 10/case.

General Production Detail

Arch Sig: No	Spatial Sig: No
Arch Code: 03-Movable Non-Electrical	ADA: No
Critical Path: No	Antimicrobial: No
Type: Medical	Green: No
Furnish Install: Owner / Owner	

Physical Requirements

Width (in.): 6.4200	Left (in.): N/A
Depth (in.): 4.0200	Right (in.): N/A
Height (in.): 10.7100	Front (in.): N/A
Product Weight (lbs): 1.4300	Back (in.): N/A
Max Operating Weight (lbs):	Top (in.): N/A
Mounting: Wall	Bottom (in.): N/A
Specification notes:	

Structural Requirements

Seismic: No	OPA #:
	Pre-Approval:
Structural notes:	

Technology Requirements

Patient Data: No	Network:
Connection Type: N/A	System:
Technical Connection notes:	

Electrical Requirements

Volts:	Watts: N/A
Hz: N/A	Amps: N/A
KVA:	Circuit: No
UPS: N/A	Plug Type: N/A
Emerg. Power: No	Plug Detail:
Other Volts Avail.: No	Electrical Phase: N/A
BTU/hr: N/A	
Electrical notes:	

Utility Requirements

Water - Cold: No	Gas Type:
Water - Hot: No	Gas Location:
Water - Treated: No	Medical Gas: No
Drain: No	Vent Type:
Drain Location:	Heat Dissipation: N/A
Steam: No	Dissipation Type: Actual
Vacuum - Den. / Med.: No/No	
Plumbing notes:	
Mechanical notes:	

Locations

Level	Arch Dept	Room	Room #	Status	Item Qty	Ext Total Config
Level 7	Critical Care	Nurse Station	7512, 7712, 7811, 7813, 7814	New	1	\$3,495.00
Level 7	Progressive Care	Nurse Station	7711, 7812	New	1	\$1,398.00

Total: 7

Disposable Specula and Dispensers

Safe, convenient, and affordable.

- KleenSpec® Disposable Specula are made from non-toxic plastic and are available in a variety of sizes
- KleenScoop™ cerumen removal disposable specula are designed for curettage of the outer ear canal and will reach just beyond the anterior prominence of the ear canal in patients over 10 years old
- The dispenser holds all specula sizes within a series

KleenSpec Diagnostic and KleenScoop Cerumen Removal Disposable Specula Disposable Otoscope Specula

52432-UB	2.75 mm Universal KleenSpec® Paediatric Disposable Ear Specula—1 Box, Qty 850
52432-U	2.75 mm Universal KleenSpec® Paediatric Disposable—1 Case, Qty 8500
52434-UB	4.25 mm Universal KleenSpec Disposable Ear Specula—1 Box, Qty 850
52434-U	4.25 mm Universal KleenSpec Disposable Ear Specula—1 Case, Qty 8500
52450	KleenScoop Specula (case of 10 boxes, 100 pieces per box)

Disposable Otoscope Specula Dispenser

52400	Dispenser for Disposable Ear Specula without Storage, 524 Series (case of 10 Dispensers)
52401	Dispenser for Disposable Ear Specula with Storage, 524 Series (case of 10 Dispensers)
52101	Dispenser for Disposable Ear Specula with Storage, 521 Series (case of 10 Dispensers)
52100	Dispenser for Disposable Ear Specula without Storage, 521 Series (case of 10 Dispensers)

KleenSpec Pneumatic, Operating and Consulting Disposable Specula—521 Series Disposable Otoscope Specula

52133-B	3.0 mm KleenSpec Disposable Ear Specula for Pneumatic, Operating and Consulting Oscopes (case of 10 bags, 500/bag)
52134	4.0 mm KleenSpec Disposable Ear Specula for Pneumatic, Operating and Consulting Oscopes (case of 10 bags, 500/bag)
52135-B	5.0 mm KleenSpec Disposable Ear Specula for Pneumatic, Operating and Consulting Oscopes (case of 10 bags, 500/bag)



52401

Disposable Otoscope Specula Dispenser for 524 Series Otoscope Specula

2.75 mm

4.25 mm

Dimension: 6.42W x 4.02D x 10.71H
Weight: 1.43 lbs.



52100

Disposable Otoscope Specula Dispenser for 521 Series Otoscope Specula

3.0 mm

4.0 mm

5.0 mm



Model: Compact 2-Roll Side-By-Side Coreless (Black)
Category: Dispenser
Subcategory: Toilet Paper, Surface Mount
Manufacturer: Georgia Pacific
Catalog #: 56784A

Atta 3 ID: DSP-4AD07

Surface mounted, high capacity, 2-roll side-by-side coreless toilet paper dispenser. Color: Black. Features: Delivers up to 6,000 sheets 1-ply or 3,000 2-ply tissue, transfer paddle, key lock, 10 year warranty. ADA compliant when mounted properly. Direct wall mount or optional bracket mount (54019).

General Production Detail

Arch Sig: Yes	Spatial Sig: No
Arch Code: 01-Fixed Equipment	ADA: Yes
Critical Path: No	Antimicrobial: No
Type: Non-Medical	Green: No
Furnish Install: Owner / Contractor	

Physical Requirements

Width (in.): 10.7500	Left (in.): N/A
Depth (in.): 7.1500	Right (in.): N/A
Height (in.): 7.1500	Front (in.): N/A
Product Weight (lbs): 1.5800	Back (in.): N/A
Max Operating Weight (lbs):	Top (in.): 1.5000
Mounting: Wall	Bottom (in.): N/A
Specification notes:	

Structural Requirements

Seismic: No	OPA #:
	Pre-Approval:
Structural notes:	

Technology Requirements

Patient Data: No	Network:
Connection Type: N/A	System:
Technical Connection notes:	

Electrical Requirements

Volts:	Watts: N/A
Hz: N/A	Amps: N/A
KVA:	Circuit: No
UPS: N/A	Plug Type: N/A
Emerg. Power: No	Plug Detail:
Other Volts Avail.: No	Electrical Phase: N/A
BTU/hr: N/A	
Electrical notes:	

Utility Requirements

Water - Cold: No	Gas Type:
Water - Hot: No	Gas Location:
Water - Treated: No	Medical Gas: No
Drain: No	Vent Type:
Drain Location:	Heat Dissipation: N/A
Steam: No	Dissipation Type: Actual
Vacuum - Den. / Med.: No/No	
Plumbing notes:	
Mechanical notes:	

Locations

Level	Arch Dept	Room	Room #	Status	Item Qty	Ext Total Config
Level 7	Critical Care	Toilet/Shower (Critical Care)	718.1, 719.1, 722.1, 723.1, 724.1, 725.1, 726.1, 727.1, 728.1, 729.1, 730.1, 731.1, 732.1, 733.1, 734.1	New	1	\$510.00
Level 7	Progressive Care	Toilet/Shower (Progressive Care)	701.1, 702.1, 703.1, 704.1, 705.1, 706.1, 707.1, 708.1, 709.1, 710.1, 711.1, 712.1	New	1	\$408.00
Level 7	Critical Care	Toilet/Shower (Patient of Size)	720.1	New	1	\$34.00

Level	Arch Dept	Room	Room #	Status	Item Qty	Ext Total Config
Level 7	Critical Care	Toilet/Shower (Isolation/ADA)	714.1, 715.1, 716.1, 717.1	New	1	\$136.0 0

Total: 32



REFERENCE GUIDE: 56783A, 56784A, 56796A, 56797A, 56798, 56784AKB, 56796AKB

Compact® Side-by-Side Tissue Dispenser

For questions regarding this dispenser or for replacement parts, please call: 1-866-HELLO GP (1-866-435-5647).

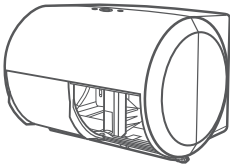
Si tiene preguntas sobre este dispensador o desea adquirir piezas de repuesto, llame al número: 1-866-HELLO GP (1-866-435-5647).

Pour toutes questions concernant ce distributeur ou pour des pièces de rechange, veuillez composer le 1-866-HELLO GP (1-866-435-5647).

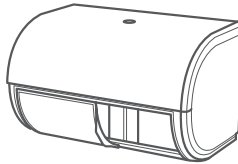
Visit gppro.com to learn more about all of our products and solutions.

Visite el sitio web gppro.com para conocer más sobre nuestros productos y soluciones.

Visitez gppro.com pour en savoir plus sur l'ensemble de nos produits et de nos solutions.

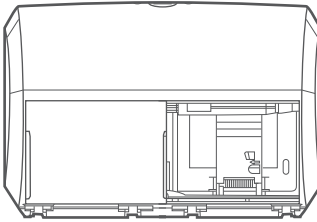


56783A, 56784A, 56796A, 56797A

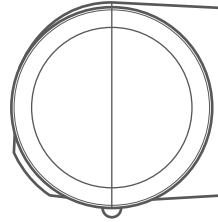


56798

10.75 in



7.15 in

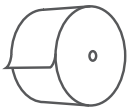


7.15 in

Replacement Parts | Piezas de repuesto | Pièces de rechange

1-866-435-5647

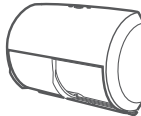
www.gppro.com



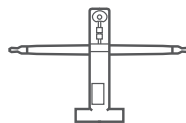
Refill Repuesto Recharge



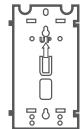
Key Llave Clé SKU: 50504



Cover Cubierta Couvercle BLACK SKU: 56751 WHITE SKU: 56754 GREY/BLUE SKU: 56752 FAUX SS SKU: 56753 SS SKU: ?????



Spindle Assembly Conjunto de eje Ensemble tige SKU: xxxx

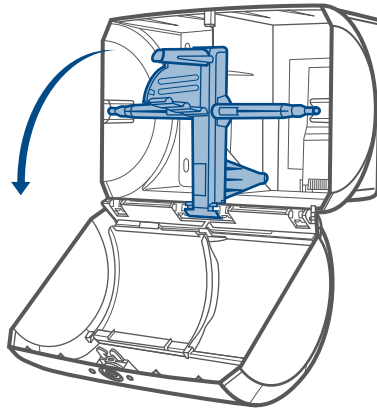


Mounting Bracket Soporte de montaje Support de montage SKU: 54019

A With cover open, move spindle system downward.

Con la cubierta abierta, tire hacia abajo el sistema de ejes.

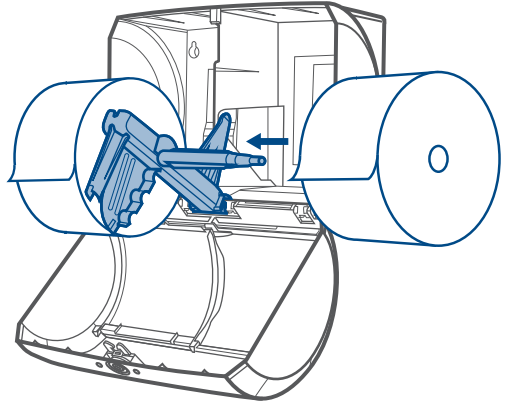
Avec le couvercle ouvert, descendez l'ensemble tige.



B Place rolls onto spindles so tissue dispenses from top.

Coloque los rollos en los ejes de manera que el papel se desenrolle por la parte superior del rollo.

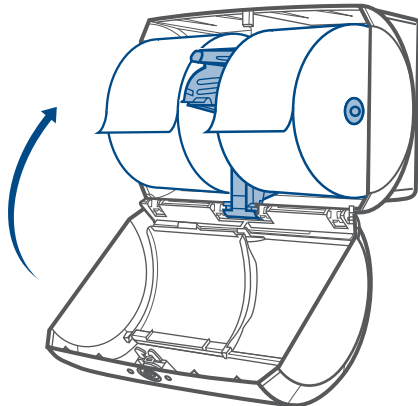
Mettez les rouleaux sur les tiges de façon à ce que le papier arrive par le dessus.



C Close cover. The Compact® Side-by-Side Tissue Dispenser is now ready for operation.

Cierre la cubierta. El dispensador doble de pañuelos de papel Compact® ya está listo para usar.

Fermez le couvercle. Le distributeur côte-à-côte Compact® peut maintenant être utilisé.



ADA compliant when installed according to ADA installation instructions.

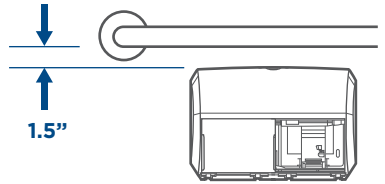
Cumple con lo establecido por la ADA (Ley de Estadounidenses con Discapacidades) si se lo instala siguiendo las instrucciones de la ADA.

Conforme aux normes de l'ADA (la loi américaine en faveur des personnes handicapées) lorsqu'installé selon les instructions de l'ADA.

- 1 Position unit on wall so that the top is level. With the front cover open, mark screw locations where indicated. NOTE: Top of the dispenser should be at least 1.5" below any grab bars or other objects to ensure clearance for unlocking the unit with the key.**

Ubique la unidad sobre la pared de manera que la parte superior quede recta. Con la cubierta frontal abierta, marque las ubicaciones de los tornillos donde se indica. NOTA: La parte superior del dispensador debe estar al menos 1,5" por debajo de cualquier barra de agarre u otros objetos para asegurar que queda el espacio necesario para destrabar la unidad con la llave.

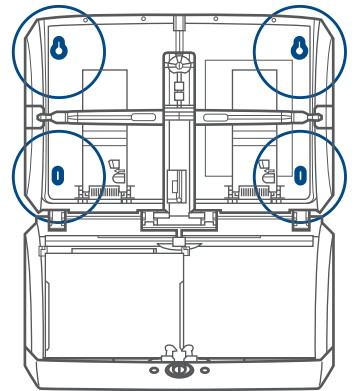
Placez l'unité au mur avec le dessus de niveau. Avec le couvercle avant ouvert, marquez les emplacements de vis comme indiqué. REMARQUE : Le dessus du distributeur devrait être à au moins 1,5" (3,75 cm) sous toute barre d'appui ou autre élément afin qu'il soit possible de le déverrouiller avec la clé.



- 2 Secure unit to wall with four anchored screws in locations previously marked.**

Asegure la unidad a la pared con cuatro tornillos colocados en las ubicaciones marcadas previamente.

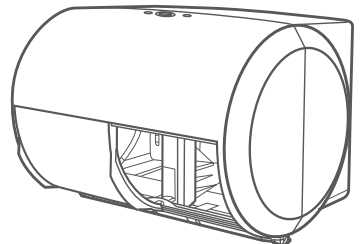
Fixez l'unité au mur avec quatre vis ancrées dans les emplacements marqués précédemment.



- 3 Close Cover. Installation is complete. For instructions on how to load tissue, proceed to the last page.**

Cierre la cubierta. Terminó la instalación. Para obtener instrucciones sobre cómo colocar pañuelos de papel, consulte la última página.

Fermez le couvercle. L'installation est terminée. Pour obtenir des instructions sur la manière de charger le papier, reportez-vous à la dernière page.



! The steps below describe using a mounting bracket (#54019 sold separately) to fasten the dispenser to a wall.

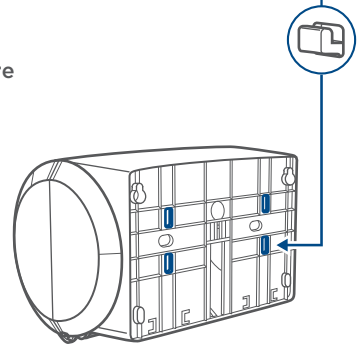
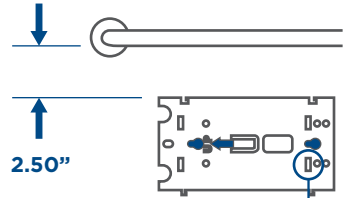
Las siguientes instrucciones describen cómo utilizar un soporte de montaje (n.º 54019 que se vende por separado) para asegurar el dispensador a la pared.

Les étapes ci-dessous décrivent l'utilisation d'un support de montage (no 54019; vendus séparément) pour fixer le distributeur au mur.

- 1** Position bracket as shown with the arrow facing left. With the top level, secure bracket to wall with two anchored screws using the keyhole slots indicated. **NOTE:** Top of the bracket should be at least 2.50" below any grab bars or other objects to ensure clearance for unlocking the unit with the key.

Coloque el soporte como se muestra y con la flecha señalando hacia la izquierda. Con la parte superior, asegure el soporte a la pared con dos tornillos fijados en las ranuras perforadas indicadas. **NOTA:** La parte superior del soporte debe estar al menos 2,50" por debajo de cualquier barra de agarre u otros objetos para asegurar que queda el espacio necesario para destrabar la unidad con la llave.

Placez le support comme montré, avec la flèche pointant vers la gauche. Avec le dessus du support de niveau, fixez le support au mur avec deux vis ancrées, dans les fentes indiquées. Remarque : Le dessus du support devrait être à au moins 2,50" (6,25 cm) sous toute barre d'appui ou autre élément afin qu'il soit possible de déverrouiller le distributeur avec la clé.



- 2** Fit dispenser on bracket engaging all clips as indicated. Lock into place by gently sliding dispenser to the right until it clicks into place.

Ajuste el dispensador sobre el soporte fijando todas las trabas como se indica. Asegure el dispensador en su lugar deslizándolo suavemente hacia la derecha hasta escuchar un "clic".

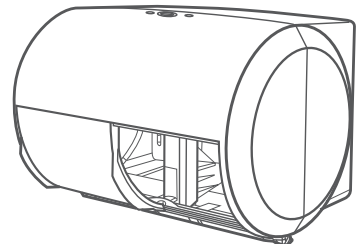
Installez le distributeur sur le support en engageant toutes les attaches, comme indiqué. Fixez-le en place en le glissant doucement vers la droite jusqu'à ce qu'il se mette en place avec un clic.



- 3** Installation is complete. For instructions on how to load tissue, proceed to the last page.

Terminó la instalación. Para obtener instrucciones sobre cómo colocar pañuelos de papel, consulte la última página.

L'installation est terminée. Pour obtenir des instructions sur la manière de charger le papier, reportez-vous à la dernière page.



Model: Compact 4-Roll Quad Coreless High-Cap. (Black)
Category: Dispenser
Subcategory: Toilet Paper, Surface Mount
Manufacturer: Georgia Pacific
Catalog #: 56744A

Atta 3 ID: DSP-52225



Surface mounted 4-roll coreless toilet paper dispenser. Features: Black. Holds up to 6,000 2-ply or 12,000 1-ply sheets, roll advancing system, key lock, 10 year warranty. ADA compliant when mounted properly.

General Production Detail

Arch Sig: Yes	Spatial Sig: No
Arch Code: 01-Fixed Equipment	ADA: Yes
Critical Path: No	Antimicrobial: No
Type: Non-Medical	Green: Yes
Furnish Install: Owner / Contractor	

Physical Requirements

Width (in.): 11.6500	Left (in.): N/A
Depth (in.): 7.3000	Right (in.): N/A
Height (in.): 13.6200	Front (in.): N/A
Product Weight (lbs): 3.3800	Back (in.): N/A
Max Operating Weight (lbs):	Top (in.): N/A
Mounting: Wall	Bottom (in.): N/A
Specification notes:	

Structural Requirements

Seismic: No	OPA #:
	Pre-Approval:
Structural notes:	

Technology Requirements

Patient Data: No	Network:
Connection Type: N/A	System:
Technical Connection notes:	

Electrical Requirements

Volts:	Watts: N/A
Hz: N/A	Amps: N/A
KVA:	Circuit: No
UPS: N/A	Plug Type: N/A
Emerg. Power: No	Plug Detail:
Other Volts Avail.: No	Electrical Phase: N/A
BTU/hr: N/A	
Electrical notes:	

Utility Requirements

Water - Cold: No	Gas Type:
Water - Hot: No	Gas Location:
Water - Treated: No	Medical Gas: No
Drain: No	Vent Type:
Drain Location:	Heat Dissipation: N/A
Steam: No	Dissipation Type: Actual
Vacuum - Den. / Med.: No/No	
Plumbing notes:	
Mechanical notes:	

Locations

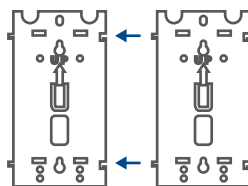
Level	Arch Dept	Room	Room #	Status	Item Qty	Ext Total Config
Level 7	Family Waiting	Toilet (public)	7504, 7505	New	1	\$72.00
Level 7	Patient Care Support	Toilet (Staff)	7519, 7824	New	1	\$72.00
Level 7	Patient Care Support	Toilet/Shower (Sleep Room)	7606	New	1	\$36.00

Total: 5

1 Assemble two (2) mounting brackets (#54019 sold separately) by connecting the sides as shown. For accessories or replacement components, please call: 1-866-HELLOGP (1-866-435-5647).

Ensamble dos (2) soportes de montaje (n.º 54019, se venden por separado) conectando los lados como se muestra. Para obtener accesorios o piezas de repuesto, llame al siguiente número: 1-866-HELLOGP (1-866-435-5647).

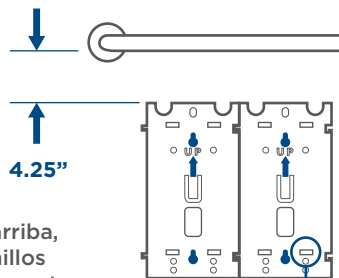
Assemblez deux (2) supports de montage (no 54019; vendus séparément) en reliant les côtés comme illustré. Pour des accessoires ou des pièces de rechange, veuillez composer le 1-866-HELLOGP (1-866-435-5647).



2 With top level and the arrows on the bracket pointing up, secure assembled bracket to wall with four anchored screws using the keyhole slots indicated. NOTE: Top of the bracket should be at least 4.25" below any grab bars or other objects to ensure clearance for loading.

Con la parte superior y las flechas del soporte hacia arriba, asegure el soporte armado a la pared con cuatro tornillos fijados en las ranuras perforadas indicadas. NOTA: La parte superior del soporte debe estar al menos 4,25" por debajo de cualquier barra de agarre u otros objetos para asegurar que queda el espacio necesario para cargar el papel.

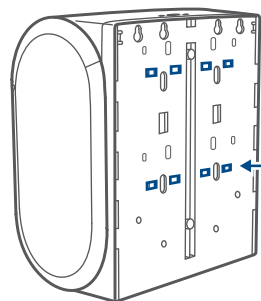
Avec le dessus du support de niveau et les flèches pointant vers le haut, fixez le support assemblé au mur avec quatre vis ancrées dans les fentes indiquées. REMARQUE : Le dessus du support devrait être à au moins 4,25" (10,75 cm) sous toute barre d'appui ou autre élément afin de faciliter la recharge du distributeur.



3 Fit dispenser on bracket engaging all clips as indicated. Lock into place by gently pulling down until it clicks into place.

Ajuste el dispensador sobre el soporte fijando todas las trabas como se indica. Asegúrelo en su lugar presionando suavemente hacia abajo hasta escuchar un "clic".

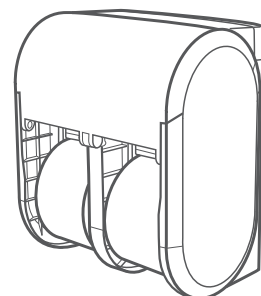
Installez le distributeur sur le support en engageant toutes les attaches, comme indiqué. Fixez-le en place en tirant doucement vers le bas jusqu'à ce qu'il se mette en place avec un clic.



4 Installation is complete. For instructions on how to load tissue, proceed to the last page.

Terminó la instalación. Para obtener instrucciones sobre cómo colocar pañuelos de papel, consulte la última página.

L'installation est terminée. Pour obtenir des instructions sur la manière de charger le papier, reportez-vous à la dernière page.



Georgia-Pacific

REFERENCE GUIDE: 56743A, 56744A, 56746A, 56747A, 56748, 56744AKB, 56746AKB, 56748KB

Compact Quad® Vertical 4-Roll Tissue Dispenser

For questions regarding this dispenser or for replacement parts, please call: 1-866-HELLO GP (1-866-435-5647).

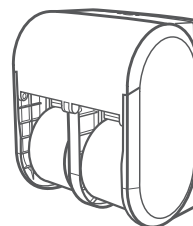
Si tiene preguntas sobre este dispensador o desea adquirir piezas de repuesto, llame al número: 1-866-HELLO GP (1-866-435-5647).

Pour toutes questions concernant ce distributeur ou pour des pièces de rechange, veuillez composer le 1-866-HELLO GP (1-866-435-5647).

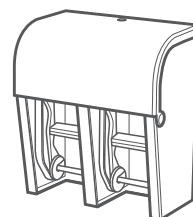
Visit gppro.com to learn more about all of our products and solutions.

Visite el sitio web gppro.com para conocer más sobre nuestros productos y soluciones.

Visitez gppro.com pour en savoir plus sur l'ensemble de nos produits et de nos solutions.



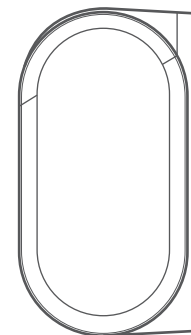
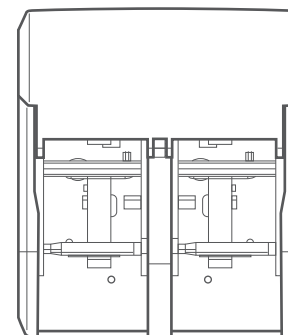
56743A, 56744A, 56746A, 56747A



56748

11.65 in

7.30 in



13.62 in

Replacement Parts | Piezas de repuesto | Pièces de rechange

1-866-435-5647

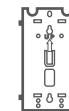
www.gppro.com



Key
Llave
Clé
#50504



Spindle Assembly
Conjunto de eje
Ensemble tige
#56711
#56713KB
(KOLO™ version)



Mounting Bracket
Soporte de montaje
Support de montage
#54019

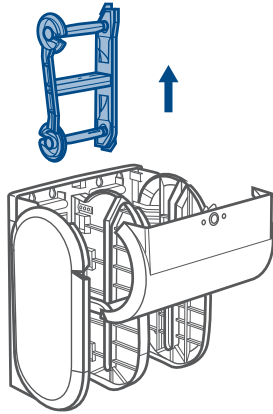


Refill
Repuesto
Recharge

A With front cover open, remove roll-transfer sled by pulling straight up.

Con la cubierta frontal abierta, extraiga el soporte para cambio de rollo tirando del deslizador de rollos hacia arriba.

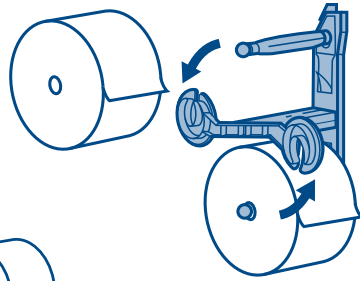
Avec le couvercle avant ouvert, retirez le support de transfert en le tirant vers le haut.



B Rotate arm on roll-transfer sled. Replace tissue rolls so tissue dispenses from top, then return arm to original position.

Gire el brazo del soporte para cambio de rollo. Cambie los rollos de papel colocándolos de manera que el papel se desenrolle por la parte superior del rollo y luego coloque el brazo en su posición original.

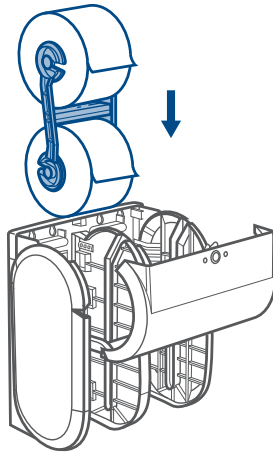
Tournez le bras du support de transfert. Mettez les rouleaux de papier de façon à ce que le papier arrive par le dessus puis remettez le bras dans sa position originale.



C Align roll-transfer sled with side rails and return to dispenser.

Alinee el soporte para cambio de rollo con las guías laterales y vuelva a colocarlo en el dispensador.

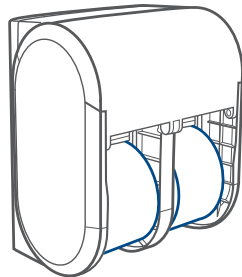
Alignez le support de transfert avec les guides et remettez-le dans le distributeur.



D Close cover. The Compact Quad® Vertical 4-Roll Tissue Dispenser is now ready for operation.

Cierre la cubierta. El dispensador de pañuelos de papel vertical de 4 rollos Compact Quad® ya está listo para usar.

Fermez le couvercle. Le distributeur vertical à quatre rouleaux Compact Quad® peut maintenant être utilisé.



! ADA compliant when installed according to ADA installation instructions.

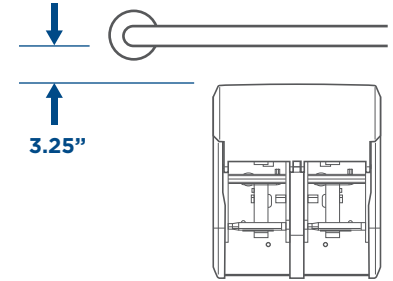
Cumple con lo establecido por la ADA (Ley de Estadounidenses con Discapacidades) si se lo instala siguiendo las instrucciones de la ADA.

Conforme aux normes de l'ADA (la loi américaine en faveur des personnes handicapées) lorsqu'installé selon les instructions de l'ADA.

1 Position unit on wall so that the top is level. With the front cover open, mark screw locations where indicated. **NOTE:** Top of the dispenser should be at least 3.25" below any grab bars or other objects to ensure clearance for loading.

Ubique la unidad sobre la pared de manera que la parte superior quede recta. Con la cubierta frontal abierta, marque las ubicaciones de los tornillos donde se indica. **NOTA:** La parte superior del dispensador debe estar al menos 3,25" por debajo de cualquier barra de agarre u otros objetos para asegurar que queda el espacio necesario para cargar el papel.

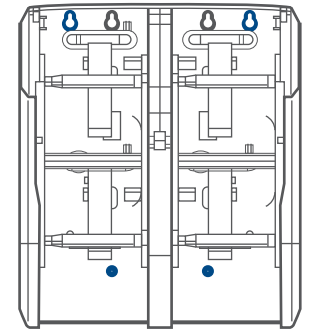
Placez l'unité au mur avec le dessus de niveau. Avec le couvercle avant ouvert, marquez les emplacements de vis comme indiqué. Remarque : Le dessus du distributeur devrait être à au moins 3,25" (8,25 cm) sous toute barre d'appui ou autre élément afin d'en faciliter la recharge.



2 Secure unit to wall with four anchored screws in locations previously marked.

Asegure la unidad a la pared con cuatro tornillos colocados en las ubicaciones marcadas previamente.

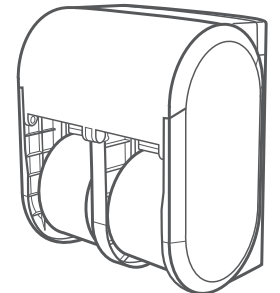
Fixez l'unité au mur avec quatre vis ancrées dans les emplacements marqués précédemment.



3 Close Cover. Installation is complete. For instructions on how to load tissue, proceed to the last page.

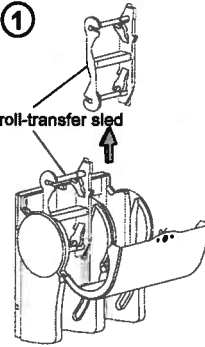
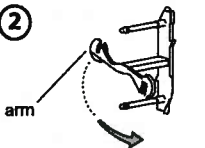
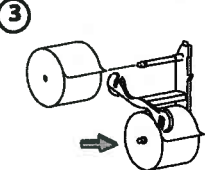
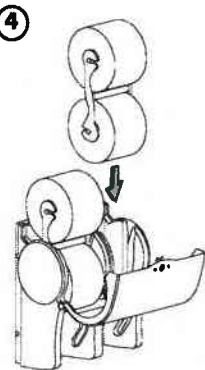
Cierre la cubierta. Terminó la instalación. Para obtener instrucciones sobre cómo colocar pañuelos de papel, consulte la última página.

Fermez le couvercle. L'installation est terminée. Pour obtenir des instructions sur la manière de charger le papier, reportez-vous à la dernière page.

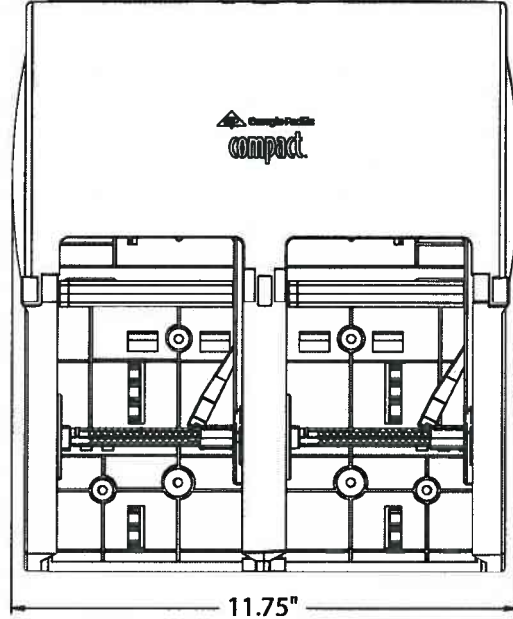


SKU # 56743,56744,56746,56747

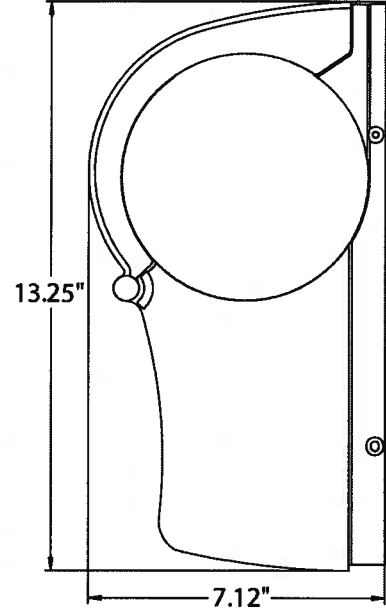
Loading Instructions

- ①  roll-transfer sled
1. Remove roll-transfer sled
- ②  arm
2. Rotate arm
- ③  3. Replace rolls and rotate arm to original position
- ④  4. Align roll-transfer sled with side rails and return to dispenser

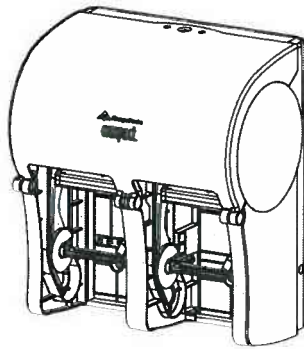
front



side



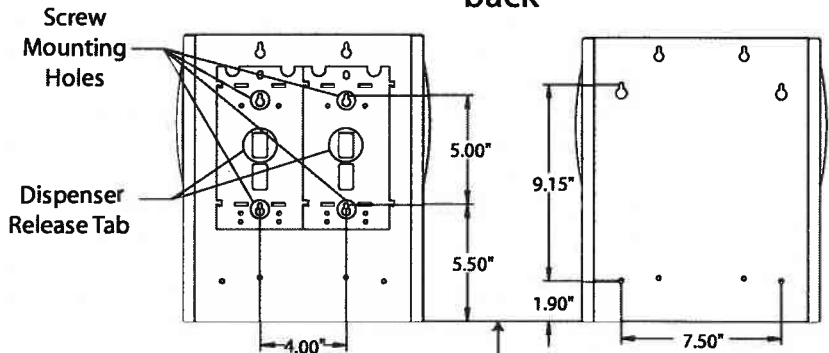
Dispenser Mounting



Using 54019 Mounting Bracket
(sold separately)

Wall Mounting without Bracket

back



Suggested Installation Height:
18 inch minimum from bottom of dispenser to floor.

Refer to the ADAAG Standard and local regulations for additional installation requirements.

Overall Dimensions:

Dispenser: 11.75" W x 13.25" H x 7.12" D

Overall Weight:

Dispenser: 4.1 lbs (1.9kg)

Capacity: 4 rolls of Compact® coreless bath tissue.

Specifications:

The dispenser is constructed of high strength, low maintenance polymer materials.

For questions or comments, please call
1-866-HELLO GP (435-5647)

©2014 Georgia-Pacific Consumer Products LP.

The Georgia-Pacific logo, Compact® and Compact Quad® trademarks are owned by or licensed to Georgia-Pacific Consumer Products LP. All rights reserved.

GP5022.1404



Model: ML4439 All-in-One PPE Organizer
Category: Dispenser
Subcategory: Personal Protection, Wall Mount
Manufacturer: MarketLab, Inc
Catalog #: ML4439

Atta 3 ID: DSP-8E572

All-in-One PPE Dispenser. Dispenser/Organizer for Personal Protection apparel. Holds gloves, masks, gowns, caps and shoe covers. Pre-drilled for wall mounting; hardware included. Made of acrylic.

General Production Detail

Arch Sig: Yes	Spatial Sig: No
Arch Code: 01-Fixed Equipment	ADA: No
Critical Path: No	Antimicrobial: No
Type: Medical	Green: No
Furnish Install: Owner / Owner	

Electrical Requirements

Volts:	Watts: N/A
Hz: N/A	Amps: N/A
KVA:	Circuit: No
UPS: N/A	Plug Type: N/A
Emerg. Power: No	Plug Detail:
Other Volts Avail.: No	Electrical Phase: N/A
BTU/hr: N/A	
Electrical notes:	

Physical Requirements

Width (in.): 23.0000	Left (in.): N/A
Depth (in.): 4.5000	Right (in.): N/A
Height (in.): 21.2500	Front (in.): N/A
Product Weight (lbs): 10.0000	Back (in.): N/A
Max Operating Weight (lbs):	Top (in.): N/A
Mounting: Wall	Bottom (in.): N/A
Specification notes:	

Utility Requirements

Water - Cold: No	Gas Type:
Water - Hot: No	Gas Location:
Water - Treated: No	Medical Gas: No
Drain: No	Vent Type:
Drain Location:	Heat Dissipation: N/A
Steam: No	Dissipation Type: Actual
Vacuum - Den. / Med.: No/No	
Plumbing notes:	
Mechanical notes:	

Structural Requirements

Seismic: No	OPA #:
	Pre-Approval:
Structural notes:	

Technology Requirements

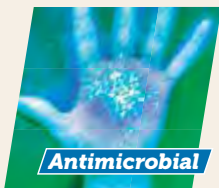
Patient Data: No	Network:
Connection Type: N/A	System:
Technical Connection notes:	

Locations

Level	Arch Dept	Room	Room #	Status	Item Qty	Ext Total Config
Level 7	Critical Care	Ante Room	714.2, 715.2, 716.2, 717.2	New	1	\$1,932.00

Total: 4

INFECTION CONTROL



Antimicrobial, Washable Storage for Isolation Protocol Compliance

Hang these mesh organizing solutions on room doors of patients in isolation, then wash, fold up and store away after their status has changed.

Antimicrobial



A. Every Patient Isolation Room Needs This

- Standard PPE storage capacity ideal for single-patient room
- Promotes “top down” application of garments

ITEM	DESCRIPTION	UOM
	Antimicrobial Mesh Isolation Station Standard	
ML18698 + color	16.25"W x 5"D x 53"H	1ea
ML18856	Hanger • 15.75"	1ea



B. Maximum Mesh Storage

- High-capacity storage for PPE
- Promotes “top down” application of garments

ITEM	DESCRIPTION	UOM
	Antimicrobial Mesh Isolation Station Deluxe	
ML18931 + color	26.375"W x 5"D x 36"H	1ea
ML18932	Hanger • 26"	1ea



C. Protected Mesh Storage

- Deluxe station with roll-away cover to protect contents when needed
- High-capacity storage for PPE



ITEM	DESCRIPTION	UOM
	Antimicrobial Mesh Isolation Station Premium with Cover	
ML18065 + color	26.375"W x 5"D x 36"H	1ea
ML18932	Hanger • 26"	1ea

D. NEW Narrow Isolation Station Excellent for Tight Spaces

- Holds two glove boxes, a mask box, gowns, and face shields

ITEM	DESCRIPTION	UOM
ML101641	Narrow Isolation Station 11.75"W x 4.5"D x 30.5"H	1ea
ML8779	Door Hanger • Powder-coated 20-gauge steel	1ea

F. Your Classic PPE Dispenser

- Predrilled for wall mounting (hardware included)

ITEM	DESCRIPTION	UOM
ML5295	Personal Protection Organizer 22.375"W x 5"D x 19.875"H	1ea
ML8779	Door Hanger • Powder-coated 20-gauge steel	1ea

H. PPE Dispenser Perfect for High-Traffic Areas

- Easy to clean, load, and mount

ITEM	DESCRIPTION	UOM
ML18189	Painted Steel Isolation Station 20.75"H x 18"W x 4.25"D	1ea
ML19634	Door Hangers for ML18188 and ML18189* 2/pk	

*Two hangers are required to hang units

J. Universal PPE Organizers with Bulk Dispensing

- Easily store and retrieve booties and caps from specially designed bulk dispensing sections

ITEM	DESCRIPTION	UOM	\$
ML1812	Peripheral Protection Center 22.5"W x 4.5"D x 20.63"H	1ea	\$309.00
ML8779	Door Hanger • Powder-coated 20-gauge steel	1ea	56.00

L. Lockable, Comprehensive PPE Dispenser

- Gown section has tilt-out door and locks
- Locks for secure storage

ITEM	DESCRIPTION	UOM
ML4439	All-in-One PPE Dispenser 23"W x 4.5"D x 21.25"H	1ea
ML8779	Door Hanger • Powder-coated 20-gauge steel	1ea

N. NEW PPE Storage Designed to Meet Your Needs

- Four compartments for gloves to hold each size from small to extra large
- Durable ABS Plastic

ITEM	DESCRIPTION	UOM
ML39883	ADA Compliant Quad Isolation Station 22.75"W x 3.9375"D x 22.625"H	1ea

E. Utilizes Narrow Spaces for PPE

- Vertical design allows for easy retrieval of PPE from narrow spaces and doors

ITEM	DESCRIPTION	UOM
ML1579	Isolation Station 16.5"W x 4.25"D x 25.25"H	1ea
ML8779	Door Hanger • Powder-coated 20-gauge steel	1ea

G. All-in-One PPE Storage with Built-In Messaging

- Built-in message frame for PPE instructions

ITEM	DESCRIPTION	UOM
ML13344	White ABS Quad Isolation Station 22.88"W x 4.38"D x 22.88"H	1ea
ML8779	Door Hanger • Powder-coated 20-gauge steel	1ea

I. Modern, User-Friendly PPE Dispenser

- Horizontal design allows easy retrieval of PPE from wall spaces

ITEM	DESCRIPTION	UOM
ML1811	Wall-Mounted Precautions Kiosk 22.13"W x 4.5"D x 16.3"H	1ea
ML8779	Door Hanger • Powder-coated 20-gauge steel	1ea

K. Antimicrobial Isolation Station

- Stores PPE essentials needed while caring for isolation patients
- Design flows with proper donning of PPE

ITEM	DESCRIPTION	UOM
ML16768	Antimicrobial Isolation Station 22.13"W x 4.25"D x 22"H	1ea
ML8779	Door Hanger • Powder-coated 20-gauge steel	1ea

M. NEW Versatile PPE Storage

- Store gloves, masks, and gowns or gloves
- Durable ABS plastic

ITEM	DESCRIPTION	UOM
ML60128	ADA Compliant Isolation Station 16.625"W x 3.75"D x 25.3125"H	1ea

O. NEW Easily Store and Retrieve PPE

- Specially designed bulk dispensing sections for booties, gowns, and caps
- Side-loading glove and mask sections allow for quick exchanges of empty boxes

ITEM	DESCRIPTION	UOM
ML60129	ADA Compliant All-In-One PPE Dispenser 24.1875"W x 3.75"D x 20.625"H	1ea



Model: enMotion Impulse 8" Automated (Black)
Category: Dispenser
Subcategory: Paper Towel, Surface Mount
Manufacturer: Georgia Pacific
Catalog #: 59498A

Atta 3 ID: DSP-AC9E0

Surface mounted automated touchless 8" paper towel dispenser. Color: Black w/translucent gray sides. Features: 200-roll battery life, customizable settings for delay, sheet length and dispense mode. Recycled paper options and can help earn LEED credits. Includes 4 D-cell batteries, key for cover top. Optional AC adapter - 120V plug.

General Production Detail

Arch Sig: Yes	Spatial Sig: No
Arch Code: 01-Fixed Equipment	ADA: Yes
Critical Path: No	Antimicrobial: No
Type: Non-Medical	Green: Yes
Furnish Install: Owner / Contractor	

Electrical Requirements

Volts:	Watts: N/A
Hz: N/A	Amps: N/A
KVA:	Circuit: No
UPS: N/A	Plug Type: N/A
Emerg. Power: No	Plug Detail:
Other Volts Avail.: No	Electrical Phase: N/A
BTU/hr: N/A	
Electrical notes:	

Physical Requirements

Width (in.): 12.7000	Left (in.): N/A
Depth (in.): 8.5800	Right (in.): N/A
Height (in.): 13.8000	Front (in.): N/A
Product Weight (lbs): 5.6250	Back (in.): N/A
Max Operating Weight (lbs):	Top (in.): N/A
Mounting: Wall	Bottom (in.): N/A
Specification notes:	

Utility Requirements

Water - Cold: No	Gas Type:
Water - Hot: No	Gas Location:
Water - Treated: No	Medical Gas: No
Drain: No	Vent Type:
Drain Location:	Heat Dissipation: N/A
Steam: No	Dissipation Type: Actual
Vacuum - Den. / Med.: No/No	
Plumbing notes:	
Mechanical notes:	

Structural Requirements

Seismic: No	OPA #:
	Pre-Approval:
Structural notes:	

Technology Requirements

Patient Data: No	Network:
Connection Type: N/A	System:
Technical Connection notes:	

Locations

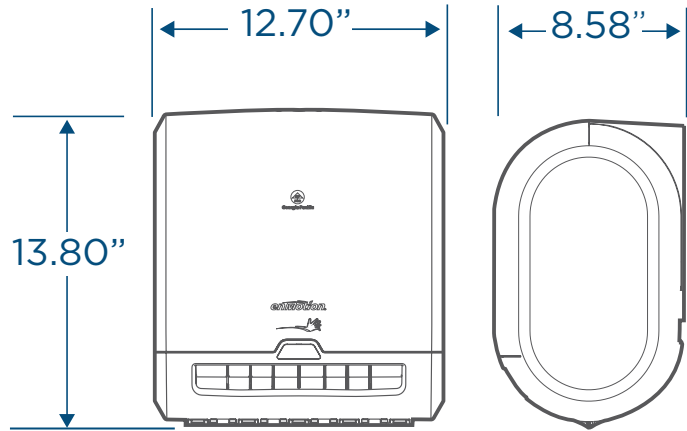
Level	Arch Dept	Room	Room #	Status	Item Qty	Ext Total Config
Level 7	Patient Care Support	Soiled Work	7520, 7820	New	1	\$206.00
Level 7	Critical Care	Critical Care	718, 719, 722, 723, 724, 725, 726, 727, 728, 729, 730, 731, 732, 733, 734	New	1	\$1,545.00
Level 7	Critical Care	Toilet/Shower (Critical Care)	718.1, 719.1, 722.1, 723.1, 724.1, 725.1, 726.1, 727.1, 728.1, 729.1, 730.1, 731.1, 732.1, 733.1, 734.1	New	1	\$1,545.00

Level	Arch Dept	Room	Room #	Status	Item Qty	Ext Total Config
Level 7	Critical Care	Critical Care - Patient of Size	720	New	1	\$103.00
Level 7	Critical Care	Toilet/Shower (Isolation/ADA)	714.1, 715.1, 716.1, 717.1	New	1	\$412.00
Level 7	Patient Care Support	Alcove - Sink	--	New	1	\$327.00
Level 7	Family Waiting	Toilet (public)	7504, 7505	New	1	\$206.00
Level 7	Patient Care Support	Toilet/Shower (Sleep Room)	7606	New	1	\$103.00
Level 7	Critical Care	Ante Room	714.2, 715.2, 716.2, 717.2	New	1	\$412.00
Level 7	Critical Care	Critical Care - Isolation	714, 715, 716, 717	New	1	\$412.00
Level 7	Patient Care Support	Staff Lounge	7518	New	1	\$103.00
Level 7	Critical Care	Toilet/Shower (Patient of Size)	720.1	New	1	\$103.00
Level 7	Patient Care Support	Toilet (Staff)	7519, 7824	New	1	\$206.00
Level 7	Respiratory Therapy	RT Decontam	7720	New	1	\$103.00
Level 7	Patient Care Support	Nourishment	7514, 7714, 7817	New	1	\$309.00
Level 7	Progressive Care	Toilet/Shower (Progressive Care)	701.1, 702.1, 703.1, 704.1, 705.1, 706.1, 707.1, 708.1, 709.1, 710.1, 711.1, 712.1	New	1	\$1,236.00
Level 7	Pharmacy	Med Room	7521, 7716, 7821	New	1	\$309.00
Level 7	Progressive Care	Progressive Care	701, 702, 703, 704, 705, 706, 707, 708, 709, 710, 711, 712	New	1	\$1,236.00

Total: 86

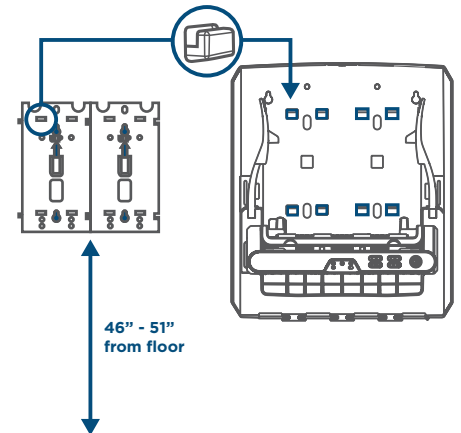
Specification Sheet: 59498A, 59437A, 59497A

enMotion® Impulse® 8" Automated Touchless Roll Towel Dispenser



Installation

- 1 Assemble the two mounting brackets (#54019 sold separately) by connecting the sides. For accessories or replacement components, please call: 1-866-HELLO GP (1-866-435-5647)
 - 2 With the arrows on the brackets pointing upwards, ensure that the top is level before securing assembled mounting bracket to wall with four (4) anchored screws using the keyhole slots indicated. NOTE: Recommended distance from bottom of bracket to the floor is 46"-51". Mounting should comply with ADA guidelines. Compliance is the responsibility of the installer.
 - 3 With the front cover open, press unit onto mounting bracket and down ensuring that all clips are engaged as indicated. Close Cover
- !** Numerous holes and slots have been molded into the back of the dispenser housing if direct-to-wall mounting is desired.



Operation

This automated towel dispenser utilizes an 8" wide towel roll available at GPPRO.com (89415, 89430, 89420, 89410, and 89440). A blue light will illuminate on the front of the dispenser lens when a towel is successfully dispensed. In the event of a jam three lights will flash behind the sensor lens. When batteries are low a red light will illuminate behind the battery icon on the sensor lens. The dispenser is equipped with settings that allow adjustment of sheet length, dispenser delay, sensor range, and choosing between auto supply and motion mode. Instructions on how to adjust these settings are present on the inside of the dispenser cover. The dispenser's cover hinges at the bottom and opens a full 180 degrees. For questions regarding this dispenser or for replacement parts, please call: 1-866-HELLOGP (1-866-435-5647). www.gppro.com

Specifications

COLORS	59498A: Black with translucent gray side windows.	MODEL/ SKU NUMBER	Black: 59498A
	59437A: White with translucent gray side windows.		White: 59437A
	59497A: Light gray with translucent blue side windows.		Gray: 59497A
FINISH	Main body light texture. Gloss finish around paper chute.	MANUFACTURER	GP PRO
POWER	Option 1: Four D-cell alkaline batteries (included)	DIMENSIONS	12.7"W x 13.8"H x 8.58"D
	Option 2: AC adapter - 120V Plug (59479A) or 24VAC-6V DC (59477A)	WEIGHT	5lbs 10oz
ACCESS	Keyed at cover top (key included). Replacement key: 50504 Key bypass twist-to-open insert available: 50429		



Model: Sani-Bracket Extra Large Single Canister (1 Pack)
Category: Dispenser
Subcategory: Disinfectant Wipes, Wall Mount
Manufacturer: Professional Disposables International-PDI
Catalog #: Q51500

Atta 3 ID: DSP-DA5AE

Wall mount disinfectant wipes dispenser. Features: For Sani-Cloth and Sani-Hands canisters. 1 Pack. Labeled not for use on skin. List price reflects per unit.

General Production Detail

Arch Sig: Yes	Spatial Sig: No
Arch Code: 01-Fixed Equipment	ADA: No
Critical Path: No	Antimicrobial: No
Type: Non-Medical	Green: No
Furnish Install: Owner / Contractor	

Physical Requirements

Width (in.): 5.3540	Left (in.): N/A
Depth (in.): 5.5120	Right (in.): N/A
Height (in.): 5.5120	Front (in.): N/A
Product Weight (lbs): 0.8800	Back (in.): N/A
Max Operating Weight (lbs):	Top (in.): N/A
Mounting: Wall	Bottom (in.): N/A
Specification notes:	

Structural Requirements

Seismic: No	OPA #:
	Pre-Approval:
Structural notes:	

Technology Requirements

Patient Data: No	Network:
Connection Type: N/A	System:
Technical Connection notes:	

Electrical Requirements

Volts:	Watts: N/A
Hz: N/A	Amps: N/A
KVA:	Circuit: No
UPS: N/A	Plug Type: N/A
Emerg. Power: No	Plug Detail:
Other Volts Avail.: No	Electrical Phase: N/A
BTU/hr: N/A	
Electrical notes:	

Utility Requirements

Water - Cold: No	Gas Type:
Water - Hot: No	Gas Location:
Water - Treated: No	Medical Gas: No
Drain: No	Vent Type:
Drain Location:	Heat Dissipation: N/A
Steam: No	Dissipation Type: Actual
Vacuum - Den. / Med.: No/No	
Plumbing notes:	
Mechanical notes:	

Locations

Level	Arch Dept	Room	Room #	Status	Item Qty	Ext Total Config
Level 7	Critical Care	Critical Care - Patient of Size	720	New	1	\$39.99
Level 7	Respiratory Therapy	RT Clean Storage	7719	New	1	\$39.99
Level 7	Progressive Care	Viewing Alcove	701.2, 703.2, 705.2, 707.2, 709.2, 711.2	New	1	\$239.94
Level 7	Critical Care	Critical Care	718, 719, 722, 723, 724, 725, 726, 727, 728, 729, 730, 731, 732, 733, 734	New	1	---
Level 7	Patient Care Support	Soiled Work	7520, 7820	New	1	\$79.98

Level	Arch Dept	Room	Room #	Status	Item Qty	Ext Total Config
Level 7	Progressive Care	Progressive Care	701, 702, 703, 704, 705, 706, 707, 708, 709, 710, 711, 712	New	1	---
Level 7	Critical Care	Viewing Alcove	714.3, 716.3, 718.2, 720.2, 722.2, 724.2, 725.2, 727.2, 728.2, 730.2, 731.2, 733.2	New	1	\$479.88
Level 7	Respiratory Therapy	RT Decontam	7720	New	1	\$39.99
Level 7	Critical Care	Critical Care - Isolation	714, 715, 716, 717	New	1	---
Level 7	Critical Care	Ante Room	714.2, 715.2, 716.2, 717.2	New	1	\$159.96

Total: 58



Nail Polish Remover Pads

Individually wrapped, acetone-free nail polish remover pads for use in a professional or hospital setting.

Individual Packet	B71200	1.2" x 2.6"	10/100s	5.00 lbs	0.33 ft	17/8
-------------------	--------	-------------	---------	----------	---------	------



See Clear® Lens Cleaning Wipes

Individually wrapped wipe for cleaning protective eyewear, glasses, and loupes.

Individual Packet	D25431	6" x 5"	12/120s	9.59 lbs	0.89 ft	10/5
-------------------	--------	---------	---------	----------	---------	------

FOOD SAFETY



Sani Professional® Cleaning Multi-Surface Wipes

Ideal for use on hard surfaces, such as dining tables and countertops.

Solo® Softpack (75 count)	A972FW	9" x 7"	20/75s	14.42 lbs	0.986 ft	10/3
Solo® Softpack (90 count)	A580FW	7" x 11.5"	12/90s	24.00 lbs	0.87 ft ft	10/3

POINT-OF-CARE ACCESSORIES



Sani-Bracket®

Attach **Sani-Cloth** and **Sani-Hands** canisters to walls or equipment for convenient access; The Medium Bracket, labeled “**Easy Screen**” wipes, will include an optional **Sani-Hands** label. Large/ X-Large Bracket, labeled with “NOT for USE on Skin”.

PDI Large / Extra Large Canister Sani-Bracket (10 pack)	Q51510	n/a	10	9.90 lbs	1.54 ft	7/4
PDI Large / Extra Large Canister Sani-Bracket (1 pack)	Q51500	n/a	1	0.88 lbs	0.11 ft	56/8
PDI Medium Canister Sani-Bracket (10 pack)	P58510	n/a	10	9.13 lbs	1.03 ft	4/10
PDI Medium Canister Sani-Bracket (1 pack)	P58500	n/a	1	0.77 lbs	0.08 ft	60/10
PDI Large / Extra Large Double Canister Sani-Bracket (10 pack)	Q52510	n/a	10	19.69 lbs	3.04 ft	4/10
PDI Large / Extra Large Double Canister Sani-Bracket (1 pack)	Q52500	n/a	1	1.65 lbs	0.22 ft	60/10



Sani-Canister Caddy®

Countertop placeholder for canisters. Displays important product and compliance information.

Sani-Canister Caddy Sani-Hands wipes (10 pack)	P013500	n/a	10	1.50 lbs	0.25 ft	28/6
Sani-Canister Caddy Sani-Hands wipes (5 pack)	P013501	n/a	5	0.80 lbs	0.11 ft	30/10
Sani-Canister Caddy Super Sani-Cloth wipes (10 pack)	P012600	n/a	10	1.50 lbs	0.25 ft	28/6
Sani-Canister Caddy Super Sani-Cloth wipes (5 pack)	P012601	n/a	5	0.80 lbs	0.11 ft	30/10
Sani-Canister Caddy Sani-Cloth AF3 wipes (10 pack)	P015200	n/a	10	1.50 lbs	0.25 ft	28/6
Sani-Canister Caddy Sani-Cloth AF3 wipes (5 pack)	P015201	n/a	5	0.80 lbs	0.11 ft	30/10
Sani-Canister Caddy Sani-Cloth Bleach wipes (10 pack)	P013100	n/a	10	1.50 lbs	0.25 ft	28/6
Sani-Canister Caddy Sani-Cloth Bleach wipes (5 pack)	P013101	n/a	5	0.80 lbs	0.11 ft	30/10
Sani-Canister Caddy Easy Screen wipes	P016101	n/a	5	0.80 lbs	0.11 ft	30/10



Model: J-Fill QuattroSelect (Air Gap)
Category: Dispenser
Subcategory: Cleaning Solution
Manufacturer: Diversey Care
Catalog #: D3764735

Atta 3 ID: DSP-DFC81

Wall mounted chemical/cleaning solution dispenser (Air Gap). Features a selector switch with rinse water option, numbered / color coded labels that use pictures for instructions, corrosion resistant lockable stainless steel locking cabinet, push button for dispensing solutions, on / off cartridge connection, and MSDS storage slot with MSDS sheets.

General Production Detail

Arch Sig: Yes	Spatial Sig: No
Arch Code: 01-Fixed Equipment	ADA: No
Critical Path: No	Antimicrobial: No
Type: Non-Medical	Green: No
Furnish Install: Owner / Contractor	

Physical Requirements

Width (in.): 18.5000	Left (in.): N/A
Depth (in.): 7.5000	Right (in.): N/A
Height (in.): 24.2500	Front (in.): N/A
Product Weight (lbs): 15.0000	Back (in.): N/A
Max Operating Weight (lbs):	Top (in.): N/A
Mounting: Wall	Bottom (in.): N/A
Specification notes:	

Structural Requirements

Seismic: No	OPA #: OPM-0048-13
Pre-Approval:	
Structural notes:	

Technology Requirements

Patient Data: No	Network:
Connection Type: N/A	System:
Technical Connection notes:	

Electrical Requirements

Volts:	Watts: N/A
Hz: N/A	Amps: N/A
KVA:	Circuit: No
UPS: N/A	Plug Type: N/A
Emerg. Power: No	Plug Detail:
Other Volts Avail.: No	Electrical Phase: N/A
BTU/hr: N/A	
Electrical notes:	

Utility Requirements

Water - Cold: Yes	Gas Type:
Water - Hot: No	Gas Location:
Water - Treated: No	Medical Gas: No
Drain: No	Vent Type:
Drain Location:	Heat Dissipation: N/A
Steam: No	Dissipation Type: Actual
Vacuum - Den. / Med.: No/No	
Plumbing notes:	
Mechanical notes:	

Locations

Level	Arch Dept	Room	Room #	Status	Item Qty	Ext Total Config
Level 7	Family Waiting	EVS	7606	New	1	\$741.12

Total: 1

J-Fill® QuattroSelect®

Dispensing System

The J-Fill® platform is a close-looped system which virtually eliminates contact with chemical concentrates. This wall mounted system dispenses four different J-Fill® products into bottles, buckets and floor care machines.

Features & Benefits

- Rugged steel doors with lockable cabinet doors (comes with keys) and product identification windows. Drip tray with drain hose and a remote high flow bucket / auto scrubber fill gun
- Built with one handed 1.5 GPM low flow and low foam bottle fill
- 8' 3.1 GPM high flow bucket fill hose with easy to use point of use activation
- Smartvalve™/MC technology automatically chooses correct flow rate in one operation
- SafeGap™/MC and Air Gap eductors meets ASSE 1055B standard for back flow prevention*
- Uses super-concentrated and hyper-concentrated chemicals, reduces “in-use” cost and solid waste disposal. Spill-Tite™/MC cartridges are leak proof and virtually eliminates chemical exposure, tampering and manually diluting products

Applications

- Wall mounted four product chemical dispenser
- For filling bottles, buckets, or floor care machines
- For use in schools, office buildings, foodservice, hospitality, industrial, retail stores and health care facilities





Description of Features

QuattroSelect Dispensing System allows you to choose from four different products with the turn of a dial. Simply select the product you desire, choose one handed low flow bottle fill or point of use bucket activation and dispense ready-to-use solutions into spray bottles, buckets and automatic scrubbers. The lockable cabinet helps eliminate unwanted cartridge removal.

* Check local plumbing regulations for proper installation and back flow protection requirements

Technical data	J-Fill® QuattroSelect®
Unit Dimensions	24.25" x 18.5" x 7.5" (62 cm x 47 cm x 19 cm)
Weight	15 lb. / 6.8 kg
Weight in Carton	19 lb. / 8.6 kg
Carton Dimension	27" x 20.5" x 9.7" (68 cm x 52.1 cm x 24.13 cm)
Low Flow Rate	1.5 gpm (5.1 Lpm)
High Flow Rate	4.0 gpm (15.0 Lpm)
Water In-Let Hose	4' (1.22 m)
Remote Bucket Fill Hose	8' (2.44 m)
Drip Tray Drainage Hose	8' (2.44 m)
Operating Range Requirements - Concentrate	J-Fill® QuattroSelect®
Water Pressure	30–85 psi (170–580 KPA)
Water Flow	> 2.0 gpm
Water Temperature	40–120° F (5–48° C)

ASSE 1055-B backflow prevention requirements.

Product	Description	Product code	
J-Fill® QuattroSelect®	Air Gap Dispenser / 1 Unit	D3764735	
J-Fill® QuattroSelect®	Safe Gap Dispenser / 1 Unit	D3754220	
J-Fill® QuattroSelect®	Safe Gap dispenser - Solid Door Unit / 1 Unit	D5913247	

Safe handling

Please make sure your employees read and understand the product label and Safety Data Sheet before using this product. The label contains directions for use; and both the label and SDS contain hazard warnings, precautionary statements and first aid procedures. SDS are available online at www.diversey.com or by calling 888.352.2249. Improper use or dilution may result in damage to surfaces and may result in health and physical hazards that match those of the concentrate. Please refer to the Diversey HazMat Library, only available through Internet Explorer, <http://naextranet.diversey.com/dot/>, for up-to-date shipping information.



Model:Stainless Steel Pull-Type (12-24 oz.)
Category: Dispenser
Subcategory: Cup, Wall Mount
Manufacturer:CFS Brands
Catalog #: C3400P

Atta 3 ID: DSP-E00A9

Wall mounted cup dispenser. Features: Stainless steel material. Accommodates 12 to 24 oz. cups, dispenses paper, plastic and foam cups. Wall mounting brackets included, can also be mounted to countertop stand (sold separately).

General Production Detail

Arch Sig: Yes	Spatial Sig: No
Arch Code: 01-Fixed Equipment	ADA: No
Critical Path: No	Antimicrobial: No
Type: Non-Medical	Green: No
Furnish Install: Owner / Contractor	

Physical Requirements

Width (in.): 3.8750	Left (in.): N/A
Depth (in.): 3.8750	Right (in.): N/A
Height (in.): 23.5000	Front (in.): N/A
Product Weight (lbs): 2.4000	Back (in.): N/A
Max Operating Weight (lbs):	Top (in.): N/A
Mounting: Wall	Bottom (in.): N/A
Specification notes:	

Structural Requirements

Seismic: No	OPA #:
	Pre-Approval:
Structural notes:	

Technology Requirements

Patient Data: No	Network:
Connection Type: N/A	System:
Technical Connection notes:	

Electrical Requirements

Volts:	Watts: N/A
Hz: N/A	Amps: N/A
KVA:	Circuit: No
UPS: N/A	Plug Type: N/A
Emerg. Power: No	Plug Detail:
Other Volts Avail.: No	Electrical Phase: N/A
BTU/hr: N/A	
Electrical notes:	

Utility Requirements

Water - Cold: No	Gas Type:
Water - Hot: No	Gas Location:
Water - Treated: No	Medical Gas: No
Drain: No	Vent Type:
Drain Location:	Heat Dissipation: N/A
Steam: No	Dissipation Type: Actual
Vacuum - Den. / Med.: No/No	
Plumbing notes:	
Mechanical notes:	

Locations

Level	Arch Dept	Room	Room #	Status	Item Qty	Ext Total Config
Level 7	Patient Care Support	Nourishment	7514, 7714, 7817	New	1	\$299.28
Level 7	Patient Care Support	Staff Lounge	7518	New	1	\$99.76

Total: 4

PRODUCT SPECS

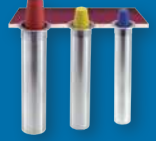
Stainless Steel

Stainless Steel Counter-Mount Beverage Cup

C3200CF (foam only)
 C3200CH 6 – 10 oz. (177 – 296 mL)
 C3200CV

C3400CF (foam only)
 C3400CH 12 – 24 oz. (355 – 710 mL)
 C3400CV

C3500CF (foam only)
 C3500CH 36 – 46 oz. (1065 – 1360 mL)
 C3500CV



Stainless Steel Surface-Mount (Elevator) Beverage Cup

C3200EF (foam only)
 C3200EH 6 – 10 oz. (177 – 296 mL)
 C3200EV

C3400EF (foam only)
 C3400EH 12 – 24 oz. (355 – 710 mL)
 C3400EV

C3500EF (foam only)
 C3500EH 36 – 46 oz. (1065 – 1360 mL)
 C3500EV



Stainless Steel Pull-Type Beverage Cup

C3200P 6 – 10 oz. (177 – 296 mL)
C3400P 12 – 24 oz. (355 – 710 mL)
 C3500P 36 – 46 oz. (1065 – 1360 mL)



Small Pull-Type Water Cup

C4150SS (Cone) 3 – 4½ oz. (89 – 133 mL) (Flat) 3 – 5 oz. (89 – 148 mL)
 C4160* (Cone) 3 – 4½ oz. (89 – 133 mL) (Flat) 3 – 5 oz. (89 – 148 mL)



Small Pull-Type Water Cup with Throat

C4180* (Cone) 3 – 4½ oz. (89 – 133 mL) (Flat) 3 – 5 oz. (89 – 148 mL)



Medium Pull-Type Water Cup

C3165* (Cone) 4 – 10 oz. (118 – 296 mL) (Flat) 4 – 10 oz. (118 – 296 mL)



Large Pull-Type Water Cup

C3250SS (Cone) 4½ – 7 oz. (133 – 207 mL) (Flat) 6 – 12 oz. (177 – 355 mL)
 C3450SS (Cone) 8 – 12 oz. (237 – 355 mL) (Flat) 12 – 24 oz. (355 – 710 mL)
 C3260* (Cone) 4½ – 7 oz. (133 – 207 mL) (Flat) 6 – 12 oz. (177 – 355 mL)



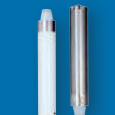
Pull-Type Foam Beverage Cup

C4210PFSD 4 – 10 oz. (118 – 296 mL)
 C4410PFSD 12 – 24 oz. (355 – 710 mL)
 C4200PF 4 – 10 oz. (118 – 296 mL)
 C4400PF 12 – 24 oz. (355 – 710 mL)
 C4500PF 32 – 46 oz. (946 – 1360 mL)



Pull-Type Paper/Plastic Beverage Cup

C4210PRD 4 – 10 oz. (118 – 296 mL)
 C4410PRD 12 – 24 oz. (355 – 710 mL)



Adjustable Portion Cup Dispensers

C3000EWH ¼ – 4½ oz. (52 – 133 mL)
 C3000PSS ¼ – 4½ oz. (52 – 133 mL)

Wireworks™ Cup Dispenser & Lid Organizer

C8503WF 2 cup dispensers, 1 lid organizer
 C8504WF 3 cup dispensers, 1 lid organizer
 C8503WFD 2 cup dispensers, 1 lid organizer; 2 side panels
 C8504WFD 3 cup dispensers, 1 lid organizer; 2 side panels

8 – 44 oz.
 (237 – 1301 mL)



Water & Pull-Type Cup

Wireworks™



Model: Purell ES4 Push-Style (1200 mL)
Category: Dispenser
Subcategory: Soap, Wall Mount
Manufacturer: GOJO Industries
Catalog #: 5030-01

Atta 3 ID: DSP-F4778

Wall mount soap dispenser. Features: Manual operation. 1200 mL capacity. 2.33 lbs case weight. White. AT-A-GLANCE refills, sanitary sealed and lock or not technology. ADA compliant. Refill sold separately.

General Production Detail

Arch Sig: Yes	Spatial Sig: No
Arch Code: 01-Fixed Equipment	ADA: Yes
Critical Path: No	Antimicrobial: No
Type: Non-Medical	Green: No
Furnish Install: Owner / Contractor	

Electrical Requirements

Volts:	Watts: N/A
Hz: N/A	Amps: N/A
KVA:	Circuit: No
UPS: N/A	Plug Type: N/A
Emerg. Power: No	Plug Detail:
Other Volts Avail.: No	Electrical Phase: N/A
BTU/hr: N/A	
Electrical notes:	

Physical Requirements

Width (in.): 5.5100	Left (in.): N/A
Depth (in.): 3.9000	Right (in.): N/A
Height (in.): 9.3300	Front (in.): N/A
Product Weight (lbs): 1.0000	Back (in.): N/A
Max Operating Weight (lbs):	Top (in.): N/A
Mounting: Wall	Bottom (in.): 8.0000
Specification notes:	

Utility Requirements

Water - Cold: No	Gas Type:
Water - Hot: No	Gas Location:
Water - Treated: No	Medical Gas: No
Drain: No	Vent Type:
Drain Location:	Heat Dissipation: N/A
Steam: No	Dissipation Type: Actual
Vacuum - Den. / Med.: No/No	
Plumbing notes:	
Mechanical notes:	

Structural Requirements

Seismic: No	OPA #:
	Pre-Approval:
Structural notes:	

Technology Requirements

Patient Data: No	Network:
Connection Type: N/A	System:
Technical Connection notes:	

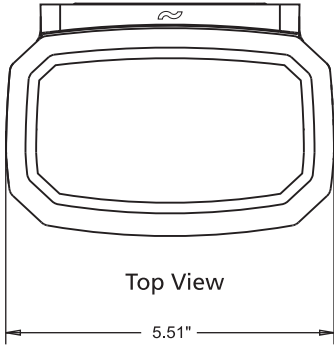
Locations

Level	Arch Dept	Room	Room #	Status	Item Qty	Ext Total Config
Level 7	Pharmacy	Med Room	7521, 7716, 7821	New	1	\$43.11
Level 7	Patient Care Support	Toilet/Shower (Sleep Room)	7606	New	1	\$14.37
Level 7	Patient Care Support	Equipment Storage (West)	7822	New	1	\$14.37
Level 7	Progressive Care	Progressive Care	701, 702, 703, 704, 705, 706, 707, 708, 709, 710, 711, 712	New	1	\$172.44
Level 7	Patient Care Support	Equipment Storage (East)	7501	New	1	\$14.37

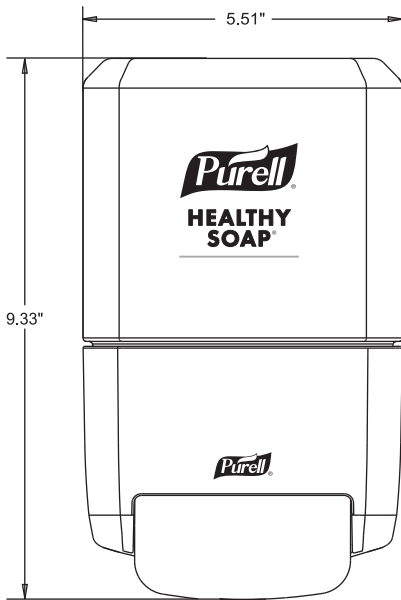
Level	Arch Dept	Room	Room #	Status	Item Qty	Ext Total Config
Level 7	Patient Care Support	Soiled Work	7520, 7820	New	1	\$28.74
Level 7	Critical Care	Ante Room	714.2, 715.2, 716.2, 717.2	New	1	\$57.48
Level 7	Respiratory Therapy	RT Clean Storage	7719	New	1	\$14.37
Level 7	Critical Care	Critical Care	718, 719, 722, 723, 724, 725, 726, 727, 728, 729, 730, 731, 732, 733, 734	New	1	\$215.55
Level 7	Progressive Care	Viewing Alcove	701.2, 703.2, 705.2, 707.2, 709.2, 711.2	New	1	\$86.22
Level 7	Family Waiting	Toilet (public)	7504, 7505	New	1	\$28.74
Level 7	Patient Care Support	Staff Lounge	7518	New	1	\$14.37
Level 7	Critical Care	Viewing Alcove	714.3, 716.3, 718.2, 720.2, 722.2, 724.2, 725.2, 727.2, 728.2, 730.2, 731.2, 733.2	New	1	\$172.44
Level 7	Patient Care Support	Toilet (Staff)	7519, 7824	New	1	\$28.74
Level 7	Respiratory Therapy	RT Decontam	7720	New	1	\$14.37
Level 7	Critical Care	Critical Care - Isolation	714, 715, 716, 717	New	1	\$57.48
Level 7	Critical Care	Critical Care - Patient of Size	720	New	1	\$14.37
Level 7	Progressive Care	Toilet/Shower (Progressive Care)	701.1, 702.1, 703.1, 704.1, 705.1, 706.1, 707.1, 708.1, 709.1, 710.1, 711.1, 712.1	New	1	\$172.44
Level 7	Critical Care	Toilet/Shower (Critical Care)	718.1, 719.1, 722.1, 723.1, 724.1, 725.1, 726.1, 727.1, 728.1, 729.1, 730.1, 731.1, 732.1, 733.1, 734.1	New	1	\$215.55
Level 7	Patient Care Support	Alcove - Sink	--	New	1	\$43.11
Level 7	Critical Care	Toilet/Shower (Patient of Size)	720.1	New	1	\$14.37
Level 7	Critical Care	Toilet/Shower (Isolation/ADA)	714.1, 715.1, 716.1, 717.1	New	1	\$57.48
Level 7	Patient Care Support	Nourishment	7514, 7714, 7817	New	1	\$43.11

Total: 107

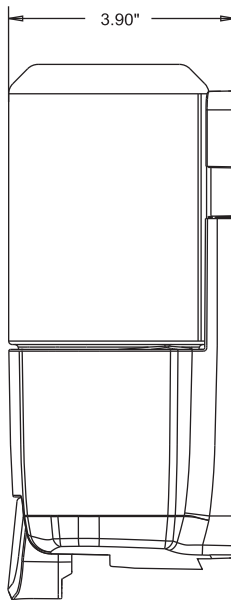
PURELL® ES4 PUSH-STYLE SOAP DISPENSER DIMENSIONS



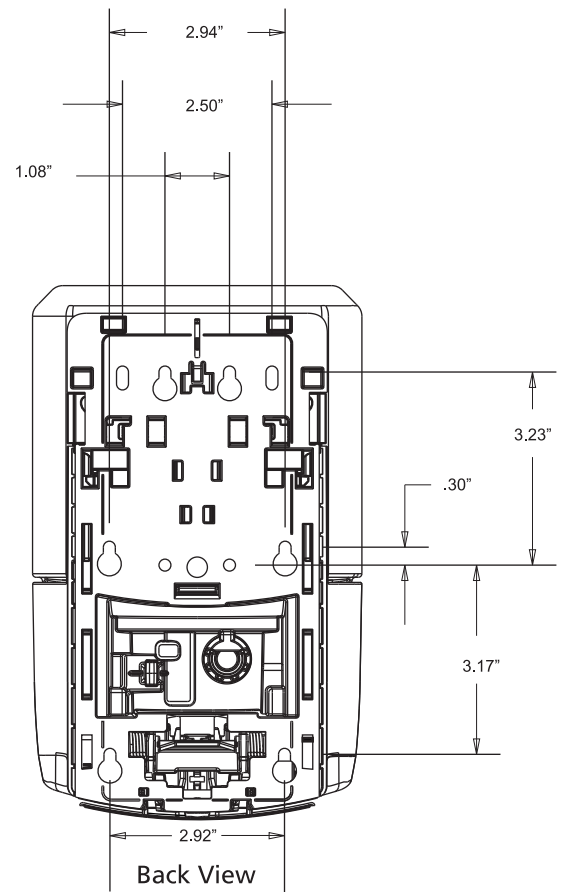
Use the dimensions provided to ensure adequate wall spacing and clearance for the unit.
Refill sold separately.



Front View



Side View



GOJO Industries, Inc.
One GOJO Plaza, Suite 500
P.O. Box 991 • Akron, OH 44309-0991
Tel: 1-330-255-6000 • Toll-free: 1-800-321-9647
Fax: 1-800-FAX-GOJO

©2017. GOJO Industries, Inc. All rights reserved.

#19980



Model: ELI 380 w/Cart (WAM)
Category: Electrocardiograph (ECG)
Subcategory: Interpretive
Manufacturer: Baxter - Hillrom, Mortara Instrument
Catalog #: ELI380-ACX11 / 9911-017-50

Atta 3 ID: ECG-E8AD8

Interpretive ECG, 12 or 15 lead with cart. Glass Keyboard with dedicated function keys. Optimized for Barcode-based Workflow. Will automatically select and display the best 10 seconds of ECG signal from the 20 minutes of full disclosure. WAM (wireless acquisition module) provides freedom of movement for the clinician while acquiring ECGs. A single button press at the WAM acquires an ECG or prints a rhythm strip. Also features backlit, 17 inch color LCD display, thermal dot array printer using full-size, Z-fold paper, and prints 3+1, 3+6, 6, or 12 channel reports; rhythm print formats for 3, 6, or 12 channels. Keyboard has dedicated function keys, and can click knob or touchpad option; internal storage up to 500 ECGs. Includes transport cart, patient cable, starter kit (electrodes, clips, and printer paper), and hospital grade power cord. For additional configurations, please contact Mortara Instrument.

General Production Detail

Arch Sig: Yes	Spatial Sig: No
Arch Code: 02-Movable Electrical	ADA: No
Critical Path: No	Antimicrobial: No
Type: Medical	Green: No
Furnish Install: Owner / Owner	

Electrical Requirements

Volts: 120	Watts: 110.0000
Hz: 60	Amps: 1.0910
KVA:	Circuit: No
UPS: N/A	Plug Type: Type B (Nema 5-15)
Emerg. Power: No	Plug Detail:
Other Volts Avail.: No	Electrical Phase: Single Phase
BTU/hr: N/A	
Electrical notes:	

Physical Requirements

Width (in.): 20.0000	Left (in.): N/A
Depth (in.): 30.0000	Right (in.): N/A
Height (in.): 57.0000	Front (in.): N/A
Product Weight (lbs): 70.0000	Back (in.): N/A
Max Operating Weight (lbs):	Top (in.): N/A
Mounting: Floor - Mobile	Bottom (in.): N/A
Specification notes:	

Utility Requirements

Water - Cold: No	Gas Type:
Water - Hot: No	Gas Location:
Water - Treated: No	Medical Gas: No
Drain: No	Vent Type:
Drain Location:	Heat Dissipation: N/A
Steam: No	Dissipation Type: Actual
Vacuum - Den. / Med.: No/No	
Plumbing notes:	
Mechanical notes:	

Structural Requirements

Seismic: No	OPA #:
Pre-Approval:	
Structural notes:	

Technology Requirements

Patient Data: No	Network:
Connection Type: N/A	System:
Technical Connection notes:	

Locations

Level	Arch Dept	Room	Room #	Status	Item Qty	Ext Total Config
Level 7	Patient Care Support	Equipment Storage (East)	7501	New	1	\$18,640.00
Level 7	Patient Care Support	Equipment Storage (West)	7822	New	1	\$18,640.00

Total: 2

ELI™ 380 12-Lead Resting ECG

Specifications

Product Features

- **Solution-Based Design** — The ELI 380 ECG delivers a unique set of display capabilities to enhance interaction with patients while in any position, including swivel and tilt functionality, and a 17-inch impact-resistant, color, capacitive touchscreen display.
- **Easy-to-Clean Surfaces** — Glass keyboard and display enable more thorough disinfection than electrocardiographs utilizing traditional keyboards. Simplified disinfection assists facilities in complying with infection prevention and control programs.
- **Distinguished VERITAS® Resting ECG Interpretation Algorithm** — The VERITAS resting ECG interpretation algorithm uses gender-specific and adult and pediatric criteria to provide a silent second opinion for interpretation. Hook-up confirmation is displayed, which includes detection of lead reversals.
- **Data Security** — Securing ePHI is promoted with centralized device access controls that are integrated with LDAP or Active Directory service. Additionally, encryption both at rest and in transit protects ePHI from the ELI 380 ECG to the server.
- **Barcode-Based Workflow** — A scan of the patient's ID bracelet automatically initiates a search for the patient's ECG order. If no order has been placed, the device searches for the patient's demographics via HL7® ADT.
- **Best 10** — The device evaluates ECG signal and noise to determine and select the 10 seconds of data with the least amount of noise. Best 10 can simplify ECG acquisition by reducing clinical review time and eliminating the need for repeat ECGs.
- **Wireless Freedom** — Equivalent in size and weight to a traditional patient cable, the WAM™ wireless acquisition module provides freedom of movement for both patients and clinicians.
- **Information Exchange** — Bidirectional communication via LAN or wireless LAN enables connectivity to Pyramis®, ECG Management system or third-party EHR, PACS, and CVIS systems.



ELI 380 Electrocardiograph

Feature	Specification*
Instrument Type	Multi-lead resting electrocardiograph
Input Channels	Simultaneous acquisition of all 12 or 15 leads
Standard Leads Acquired	I, II, III, aVR, aVL, aVF, V1, V2, V3, V4, V5, V6
12 Lead Alternate Lead Groups	Up to three additional groups can be labeled using any combination of 6 precordial leads with V1, V2, V3, V4, V5, V6, V7, V8, V9, V3R, V4R, V5R, V6R, and V7R lead labels
15 Lead Groups	Three lead groups are available and can be labeled using any combination of 3 leads with V1, V2, V3, V4, V5, V6, V7, V8, V9, V3R, V4R, V5R, V6R, and V7R lead labels
Waveform Display	ERGO: Backlit, 17" color touchscreen display, 180° rotation and 120° tilt Standard: Backlit, 17" color LCD with 1280 x 1024 resolution, 120° tilt
Input Impedance Input Dynamic Range Electrode Offset Tolerance Common Mode Rejection	Meets or exceeds the requirements of ANSI/AAMI/IEC 60601-2-25
Patient Leakage Current Chassis Leakage Current	Meets or exceeds the requirements of ANSI/AAMI ES 60601-1
Digital Sampling Rate	40,000 samples/s/channel used for pacemaker spike detection; 1,000 samples/s/channel used for recording and analysis
Standout Clinical Features	Best 10 automatic capture of the 10 seconds of data with the least amount of noise from the last 5 minutes of full disclosure; Alternate lead placement selection with default for pediatric, right-sided, posterior and any combination of user-defined precordial lead labeling.
Optional Functions	Connectivity with bidirectional communication; SECUR-it; 15-lead acquisition; supports bar code scanners with 39, 128 and 2D capabilities; AM12™, AM12M, or AM15E acquisition module, equivalent in size and weight to a traditional patient cable
Paper	Smart (210 x 280 mm), perforated Z-fold thermal cued paper with full grid; 250 sheets stored in paper tray
Thermal Printer	Computer-controlled dot array; 1 dot/ms horizontal, 8 dots/mm vertical
Thermal Printer Speeds	5, 10, 25 or 50 mm/s
Gain Settings	5, 10 or 20 mm/mV
Report Print Formats	Standard or Cabrera: 3+1, 3+3, 6, 6+6 or 12 channel
Rhythm Print Formats	3, 6, 8 or 12 channel with configurable lead groups
Keyboard	Glass keyboard with alphanumeric keys, soft-key menu, dedicated function keys, and touchpad pointing device
Frequency Response	0.05 to 300 Hz
Filters	High-performance baseline filter; AC interference filter 50/60 Hz; low-pass filters 40 Hz, 150 Hz, or 300 Hz
A/D Conversion	20 bits (1.17 microvolt LSB)
Device Classification	Class I, Type CF defibrillation-proof applied parts
ECG Storage	Internal storage up to 500 ECGs
Information Exchange	Requires ELI Link software version 4.2.0 or greater
SECUR-IT	Requires software version 1.2.0 or greater and ELI Link software version 4.4.0 or greater
AM12M Compatibility	For use with Quickels Electrode Suction Pump Decapus III or greater
Weight	ERGO: 27 lbs (12 kg) including one battery (without paper)
Dimensions	15.5 (width) x 20 (depth) x 5.5 in (height) (39 x 51 x 14 cm)
Power Requirements	Universal AC power supply (100-240 VAC at 50/60 Hz) 110 VA; internal rechargeable lithium-ion battery with support for a second optional battery

Specifications subject to change without notice.

For more information, contact your local Welch Allyn representative or visit www.welchallyn.com.



Clinical excellence. Connected solutions. Continuous innovation.
Welch Allyn Cardiology is proud to be powered by Mortara.

Welch Allyn, Inc.
4341 State Street Road
Skaneateles Falls, NY 13153 USA
(p) 800.535.6663 (f) 315.685.3361

© 2018 Welch Allyn MC14621 80022553 Ver A 2018-01

Generated 12/12/2024 19:02 UTC

PLAN-IT | PROJECT Powered by Attainia, Inc.

www.welchallyn.com

WelchAllyn®

Page 158 of 435



Model: Xltex Brain Monitor Amplifier/Camera w/ EEG Cart
Category: Electroencephalograph (EEG)
Subcategory: Sleep
Manufacturer: Natus
Catalog #: PK1074/PK1204

Atta 3 ID: EEG-7350B

Sleep electroencephalograph monitor amplifier and camera with cart. Features: AC and DC channels, 3 push buttons, 1 event switch connection, 8 LED indication on main unit 33 dual color on breakout box, night light, photic stimulator and Masimo SET Pulse Oximeter. Inputs for ECG, EMG and SpO2. Color-coded, touch proof electrode. Networking: TCP/IP Connectivity and automatic DHCP discovery. System includes: EEG/Sleep acquisition desktop, IP PTZ Color/B and W camera, Xltex Brain monitor, 24 in. flat FP monitor, NeuroWorks 8.x Acquisition Software with Spike / Event and High Res Video, Extended video monitoring controllers, LED Photic Stimulator, MS Word Report Editor for Neuroworks/Sleepworks, XLTEK EEG/PSG Windows 7 ULT EMB License Downgrade and ErgoJust EEG cart with isolation transformer.

General Production Detail

Arch Sig: No	Spatial Sig: No
Arch Code: 02-Movable Electrical	ADA: No
Critical Path: No	Antimicrobial: No
Type: Medical	Green: No
Furnish Install: Owner / Owner	

Physical Requirements

Width (in.): 22.0000	Left (in.): N/A
Depth (in.): 32.2500	Right (in.): N/A
Height (in.): 78.0000	Front (in.): N/A
Product Weight (lbs): 99.0000	Back (in.): N/A
Max Operating Weight (lbs):	Top (in.): N/A
Mounting: Floor - Mobile	Bottom (in.): N/A
Specification notes:	

Structural Requirements

Seismic: No	OPA #:
	Pre-Approval:
Structural notes:	

Technology Requirements

Patient Data: No	Network:
Connection Type: N/A	System:
Technical Connection notes:	

Electrical Requirements

Volts: 120	Watts: N/A
Hz: 60	Amps: 12.0000
KVA:	Circuit: No
UPS: N/A	Plug Type: Type B (Nema 5-15)
Emerg. Power: No	Plug Detail:
Other Volts Avail.: No	Electrical Phase: Single Phase
BTU/hr: N/A	
Electrical notes:	

Utility Requirements

Water - Cold: No	Gas Type:
Water - Hot: No	Gas Location:
Water - Treated: No	Medical Gas: No
Drain: No	Vent Type:
Drain Location:	Heat Dissipation: N/A
Steam: No	Dissipation Type: Actual
Vacuum - Den. / Med.: No/No	
Plumbing notes:	
Mechanical notes:	

Locations

Level	Arch Dept	Room	Room #	Status	Item Qty	Ext Total Config
Level 7	Respiratory Therapy	RT Clean Storage	7719	New	2	\$95,349.80

Total: 2

Technical Specifications

Part Number PK1074
 Use Cases Clinical EEG, PSG, LTM, ICU

Analog Specifications - AC Channels

Referential Channels 32
 Differential Channels 6
 Differential Input Impedance > 100 MΩ
 Common Mode Input Impedance > 50 MΩ
 Common Mode Rejection Ratio - 112 dB @ 60 Hz
 Input Noise (peak to peak) 2.4 μV @ 0.1Hz-70Hz bandwidth
 Input Noise (RMS) 0.39 μV @ 0.1Hz-70Hz bandwidth
 Maximum Differential AC Input Before Clipping (Referential) 20 mV pk-to-pk
 Maximum Differential AC Input Before Clipping (Differential) 40 mV pk-to-pk
 Maximum Operational DC Input Voltage Electrode Offset ±200 mV
 Input Bias Current < 20 pA
 Channel Crosstalk < -67 dB

Analog Specifications – DC Channels

DC Channels (patient side) 4 non-isolated
 DC Channels (computer side) 6 isolated
 DC Input Range ±5 V

User Interface

Push Buttons 3 (Nightlight, Impedance, Impedance Threshold)
 Event Switch Connection 1
 LED Indication 8 on main unit; 33 dual color on breakout box
 Night Light White LEDs in breakout box
 Additional Connections Photoc Stimulator, Masimo SET[®] Pulse Oximeter

Digital Specifications

Sampling Frequency 256 Hz, 512 Hz
 Sampling Resolution Referential Channels 16 bits
 Sampling Quantization Referential Channels 0.3 μV
 Sampling Resolution Differential Channels 16 bits
 Sampling Quantization Differential Channels 0.6 μV
 Sampling Resolution DC Channels 16 bits
 Sampling Quantization DC Channels 0.2 mV

Modes of Operation

Power 6 W @120 V
 Impedance Check < 2.5, < 5, < 10, < 25 kΩ
 Channel Test Signal Software Controllable
 Square 0.5 Hz, 50uV pk-to-pk



PC Interface

Network TCP/IP, UDP, DHCP
 Direct USB 2.0

Amplifier Mechanical

Base Unit to Breakout Box Cable Maximum Length 30 ft / 9 m
 Approx. Size (inches)
 Base Unit 7.5 x 8.0 x 1.7 in / 19.0 x 20.3 x 4.3 cm
 Breakout 6.1 x 3.8 x 1.1 in / 15.5 x 9.7 x 2.8 cm
 Breakout Weight 0.69 lb / 313 g

Environmental Conditions for Use

Operating Environmental Limits
 Temperature 10°C to 40°C
 Relative Humidity 30%-75%
 Atmospheric Pressure 700 hPa-1060 hPa
 Transport and Storage Temperature Range -40°C to 70°C
 Transport and Storage Humidity Range 10%-100%, including condensation
 Transport and Storage Atmospheric Pressure Range 500 hPa-1060 hPa

Regulatory Compliance

CAN/CSA C22.2 No 601.1-M90, UL 60601-1, IEC 60601-1, IEC 60601-2-26,
 IEC 60601-1-4, EN 60601-1-2, EN 55011, FCC 47 CRF Part 15

Natus® ErgoJust EEG Cart

Technical Specifications

ErgoJust Cart Configuration

Height	171.5 cm (67.5 in)
Width at Widest Point	55.9 cm (22 in)
Depth at Widest Point	81.9 cm (32.25 in)
Weight (Cart Only)	44.4 kg (98 lb)
Height with Video Assembly.....	198 cm (78 in)
Footprint Dimensions	50.8 x 66 cm (20 x 26 in)

Work Surface

Work Surface Dimensions (WxD).....	55.9 x 43 cm (22 x 17 in)
Work Surface Material	plastic
Keyboard Tray Dimensions (WxD).....	47 x 20.3 cm (18.5 x 8 in)
Keyboard Tray Material	plastic

Work Surface Range of Motion Dimensions

Fully Raised.....	114.3 cm (45 in)
Fully Lowered.....	78.74 cm (31 in)
Fully Lowered Clearance	68.6 cm (27 in)

Accessories

Basket Dimensions (HxWxD).....	15.2 x 33.6 x 8.2 cm (6 x 13.25 x 3.25 in)
Basket Materials	plastic
Handle Height (from Ground)	109.2 cm (43 in)
Handle Width	40.6 cm (16 in)
Compatible Display(s)	VESA MIS-D, 100/75, C (100 x 100 mm and 75 x 75 mm)

Compatible Natus ErgoJust EEG Cart Equipment

- Brain Monitor Base Unit
- EMU40EX Base Unit
- Natus Quantum Base Unit
- Supplies Basket
- EEG/Sleep Acquisition Desktop 110V (Small-form factor only)
- 24" FP Monitor (or equivalent monitor that meets size and weight requirements)
- LED Photic Stimulator
- IP PTZ ErgoJust Video Extension
- IP PTZ HD ErgoJust Video Extension
- EMU40EX / Brain Monitor / Quantum Headbox Side Quick Disconnect Kit
- EMU40EX / Brain Monitor / Quantum Wall/Pole Side Quick Disconnect Kit
- Comet-PLUS Headbox Side Quick Disconnect Kit
- Isolation Transformer
- Medical Grade UPS with Isolation

Regulatory Compliance

The Natus ErgoJust cart meets the following safety standards set by domestic and international regulatory agencies for Medical Electrical Equipment.

UL 60601-1
CSA 22.2 No. 601.1-M90
IEC/EN 60601-1



Natus Neuro

3150 Pleasant View Road
Middleton, WI 53562 USA
Tel: 1-800-356-0007
1-608-829-8500
Fax: 1-608-829-8709

www.natus.com

Single Solution for EEG and PSG

The Natus NeuroWorks[®]/SleepWorks[™] platform simplifies the process of running and managing EEG brain monitoring for routine testing, long-term monitoring, ICU and Sleep studies. The software operates with the Xltek[®] family of EEG and PSG amplifiers to provide leading-edge features with the user-friendly interface you need for productive day-to-day workflow. This complete diagnostic package is designed to meet the needs of private practice clinics, hospitals and large teaching facilities.

Clinical and Workflow Benefits

- Take advantage of powerful trending and analysis options and fully synchronized HD video
- Quickly locate patient studies based on a variety of custom parameters
- Customize the database and automatically distribute settings to all stations on the network
- Record data directly to a server and access studies seamlessly from any station
- Reduce size of archived files using advanced clipping and pruning features

Administrator Benefits

- Turn any networked room into a video monitoring EEG unit using IP streaming cameras & amplifiers
- Feel secure with the powerful enterprise level SQL database as the back-end server
- Employ DHCP devices to allow automatic discovery on the network
- Integrate with HL7
- Cerebrum Enterprise Solution eliminates lengthy equipment downtime due to software upgrades

Security Benefits

- Meet HIPAA requirements via additional XLSecurity layer
- Define access to features, studies and programs based on logged-in user or role
- Automated power recovery
- Supports Microsoft[®] BitLocker[™] drive encryption

Sleep Benefits

- Efficient collection tasks from customized Bio-Cals, to input of PAP treatment and supplemental O₂ levels
- Analyze and review an ongoing study, including video
- Track outcomes and filter by statistical indices that are calculated in reports
- Create customized reports or choose from a selection of diagnostic, titration, split-night, comparison and interpretation report templates

Introducing NeuroWorks & SleepWorks 8

★ New Features for Site Management

- Enhanced security features with the integration of Active Directory, including seamless logon using Windows accounts and improved minimum security mode
- Improved central administration features for large sites with introduction of a credentials cache system
- Automated site-wide software deployment with optional Cerebrum Enterprise Solution

★ New Features for Sleep Scoring and Reporting

- New features supporting The AASM Manual for the Scoring of Sleep and Associated Events 2.0.
- Extended support for respiratory to desaturation event associations.
- Event filtering in wake stages
- New variables in sleep reports for segmenting desaturations and reporting event associations.



Model: Chrome (0-15 lpm, DISS Female Hand Tight, 50 PSI)
Category: Flowmeter
Subcategory: Air
Manufacturer: Precision Medical
Catalog #: 1MFA2003PTO

Atta 3 ID: FLW-1A070

Chrome body air flowmeter. Features: Power Take-Off (PTO), glass flow tube and front control knob. 0-15 lpm flow range and DISS female hand tight inlet connection. Polycarbonate housing. Increments: 0.5 LPM from 0.5 to 5 LPM; 1 LPM from 5 to 15 LPM. Accuracy: +/- 0.25 LPM from 0.5 to 5 LPM; +/- 0.5 LPM above 6 to 15 LPM. Flush flow: 60-80 LPM. Specify -R or -L for right or left when ordering.

General Production Detail

Arch Sig: Yes	Spatial Sig: No
Arch Code: 03-Movable Non-Electrical	ADA: No
Critical Path: No	Antimicrobial: No
Type: Medical	Green: No
Furnish Install: Owner / Owner	

Physical Requirements

Width (in.): 1.2500	Left (in.): N/A
Depth (in.): 2.5000	Right (in.): N/A
Height (in.): 6.5000	Front (in.): N/A
Product Weight (lbs): 1.0000	Back (in.): N/A
Max Operating Weight (lbs):	Top (in.): N/A
Mounting: Wall	Bottom (in.): N/A
Specification notes:	

Structural Requirements

Seismic: No	OPA #:
	Pre-Approval:
Structural notes:	

Technology Requirements

Patient Data: No	Network:
Connection Type: N/A	System:
Technical Connection notes:	

Electrical Requirements

Volts:	Watts: N/A
Hz: N/A	Amps: N/A
KVA:	Circuit: No
UPS: N/A	Plug Type: N/A
Emerg. Power: No	Plug Detail:
Other Volts Avail.: No	Electrical Phase: N/A
BTU/hr: N/A	
Electrical notes:	

Utility Requirements

Water - Cold: No	Gas Type: Medical Air
Water - Hot: No	Gas Location:
Water - Treated: No	Medical Gas: No
Drain: No	Vent Type:
Drain Location:	Heat Dissipation: N/A
Steam: No	Dissipation Type: Actual
Vacuum - Den. / Med.: No/No	
Plumbing notes:	
Mechanical notes:	

Locations

Level	Arch Dept	Room	Room #	Status	Item Qty	Ext Total Config
Level 7	Critical Care	Critical Care - Isolation	714, 715, 716, 717	New	4	\$982.40
Level 7	Progressive Care	Progressive Care	701, 702, 703, 704, 705, 706, 707, 708, 709, 710, 711, 712	New	4	\$2,947.20
Level 7	Critical Care	Critical Care	718, 719, 722, 723, 724, 725, 726, 727, 728, 729, 730, 731, 732, 733, 734	New	4	\$3,684.00
Level 7	Critical Care	Critical Care - Patient of Size	720	New	4	\$245.60

Level	Arch Dept	Room	Room #	Status	Item Qty	Ext Total Config
Level 7	Respiratory Therapy	RT Decontam	7720	New	1	\$61.40

Total: 129

Chrome Flowmeter

Durable, Accurate, Precise, Dependable



Specifications

Flow Range	Gas	Graduations	Accuracy	Flush Flow
0-200 cc	Oxygen	20 cc	0-100 cc ± 10 cc 101-200 cc ± 14 cc	500 cc
0-1 l/min	Oxygen	.1 l/min	0-1 $\pm .05$ l/min	5 l/min
0-3.5 l/min	Oxygen	.125 (0-1) l/min .25 (1-3.5) l/min	0-3.5 $\pm .15$ l/min	20-40 l/min
0-5 l/min	Oxygen	.25 l/min	0-5 $\pm .20$ l/min	60-80 l/min
0-15 l/min	Oxygen	.5 (0-5) l/min 1 (5-15) l/min	0-5 $\pm .25$ l/min 6-15 $\pm .50$ l/min	60-80 l/min
0-15 l/min	Air	.5 (0-5) l/min 1 (5-15) l/min	0-5 $\pm .25$ l/min 6-15 $\pm .50$ l/min	60-80 l/min
2-26 l/min	Oxygen	1 l/min	2-4 $\pm .50$ l/min 5-26 $\pm 10\%$ of reading	60-80 l/min
3-35 l/min	Oxygen	1 (3-15) l/min 5 (15-35) l/min	3-4 $\pm .50$ l/min 5-35 $\pm 10\%$ of reading	
0-70 l/min	Oxygen	5 l/min	0-70 $\pm 10\%$ of reading	70-90 l/min
0-70 l/min	Air	5 l/min	0-70 $\pm 10\%$ of reading	70-90 l/min

Flowmeters calibrated at 50 PSI, 70°F, standard atmospheric pressure.
Specifications are subject to change without prior notice.

Ordering Information

	O2 0-200 cc	O2 0-1 l/min	O2 0-3.5 l/min	O2 0-5 l/min	O2 0-15 l/min	Air 0-15 l/min	O2 2-26 l/min	O2 3-35 l/min	O2 0-70 l/min	Air 0-70 l/min
No Adaptor (1/8 NPTF)	6MFA1001	4MFA1001	1MFA3001	1MFA3501	1MFA1001	1MFA2001	1MFA1101	1MFA1401	1MFA8001	1MFA9001
DISS Female Hex Nut	6MFA1002	4MFA1002	1MFA3002	1MFA3502	1MFA1002	1MFA2002	1MFA1102	1MFA1402	1MFA8002	1MFA9002
DISS Female Hand Tight	6MFA1003	4MFA1003	1MFA3003	1MFA3503	1MFA1003	1MFA2003	1MFA1103	1MFA1403	1MFA8003	1MFA9003
DISS Male	6MFA1004	4MFA1004	1MFA3004	1MFA3504	1MFA1004	1MFA2004	1MFA1104	1MFA1404	1MFA8004	1MFA9004
Ohmeda	6MFA1005	4MFA1005	1MFA3005	1MFA3505	1MFA1005	1MFA2005	1MFA1105	1MFA1405	1MFA8005	1MFA9005
Chemetron	6MFA1006	4MFA1006	1MFA3006	1MFA3506	1MFA1006	1MFA2006	1MFA1106	1MFA1406	1MFA8006	1MFA9006
Oxequip	6MFA1007	4MFA1007	1MFA3007	1MFA3507	1MFA1007	1MFA2007	1MFA1107	1MFA1407	1MFA8007	1MFA9007
Puritan-Bennett	6MFA1008	4MFA1008	1MFA3008	1MFA3508	1MFA1008	1MFA2008	1MFA1108	1MFA1408	1MFA8008	1MFA9008
Schrader	6MFA1009	4MFA1009	1MFA3009	1MFA3509	1MFA1009	1MFA2009	1MFA1109	1MFA1409	1MFA8009	1MFA9009
Medstar	6MFA100M	4MFA100M	1MFA300M	1MFA350M	1MFA100M	1MFA200M	1MFA110M	1MFA140M	1MFA800M	1MFA900M

→ Add PTO behind part number for Power Take-Off
* Add -R or -L for right or left

International specifications, special ratings and colors available upon request



Model: 7701-1260-921
Category: Flowmeter
Subcategory: Oxygen
Manufacturer: Ohio Medical Corp
Catalog #: 7701-1260-921

Atta 3 ID: FLW-E87F7

Oxygen flowmeter with Ohio Diamond adapter and green tubing nipple nut and gland. Provides gas flow measurement and control within a range of 0-15 LPM. Pressure compensated. Constructed of solid brass and full body gas specific colored labeling.

General Production Detail

Arch Sig: No	Spatial Sig: No
Arch Code: 03-Movable Non-Electrical	ADA: No
Critical Path: No	Antimicrobial: No
Type: Medical	Green: No
Furnish Install: Owner / Owner	

Physical Requirements

Width (in.): 1.1000	Left (in.): N/A
Depth (in.): 3.4000	Right (in.): N/A
Height (in.): 5.5000	Front (in.): N/A
Product Weight (lbs): 0.3500	Back (in.): N/A
Max Operating Weight (lbs):	Top (in.): N/A
Mounting: Wall	Bottom (in.): N/A
Specification notes:	

Structural Requirements

Seismic: No	OPA #:
	Pre-Approval:
Structural notes:	

Technology Requirements

Patient Data: No	Network:
Connection Type: N/A	System:
Technical Connection notes:	

Electrical Requirements

Volts:	Watts: N/A
Hz: N/A	Amps: N/A
KVA:	Circuit: No
UPS: N/A	Plug Type: N/A
Emerg. Power: No	Plug Detail:
Other Volts Avail.: No	Electrical Phase: N/A
BTU/hr: N/A	
Electrical notes:	

Utility Requirements

Water - Cold: No	Gas Type: Medical Air
Water - Hot: No	Gas Location:
Water - Treated: No	Medical Gas: No
Drain: No	Vent Type:
Drain Location:	Heat Dissipation: N/A
Steam: No	Dissipation Type: Actual
Vacuum - Den. / Med.: No/No	
Plumbing notes:	
Mechanical notes:	

Locations

Level	Arch Dept	Room	Room #	Status	Item Qty	Ext Total Config
Level 7	Progressive Care	Progressive Care	701, 702, 703, 704, 705, 706, 707, 708, 709, 710, 711, 712	New	4	\$3,740.16
Level 7	Critical Care	Critical Care	718, 719, 722, 723, 724, 725, 726, 727, 728, 729, 730, 731, 732, 733, 734	New	4	\$4,675.20
Level 7	Respiratory Therapy	RT Decontam	7720	New	1	\$77.92
Level 7	Critical Care	Critical Care - Patient of Size	720	New	4	\$311.68

Level	Arch Dept	Room	Room #	Status	Item Qty	Ext Total Config
Level 7	Critical Care	Critical Care - Isolation	714, 715, 716, 717	New	4	\$1,246.72

Total: 129

Oxygen and Medical Air Pressure Compensated Flowmeters (ANSI)



Oxygen



Twin



Medical Air



Available "Second Look" Connector - for enhanced safety (as shown)

DESCRIPTION AND APPLICATION

The Pressure Compensated Flowmeter is designed to meet strict standards of durability and precision. The base is constructed of solid brass and full body gas specific colored labeling*.

Flowmeters are available with a wide variety of options including DISS power outlets and twin flowmeter configurations. They are also available with an optional plastic DISS tubing nipple and a multitude of wall adapters.

0-15 LPM Oxygen and Medical Air Flowmeters

- Provides accurate gas flow measurement and control within a range of 0-15 LPM
- For use in a variety of respiratory therapy clinical applications
- Flush setting delivers a minimum of 50 LPM
- Supply pressure of 50 psi

LoFlo 3.5 LPM Oxygen Flowmeter

- Provides highly accurate gas flow measurement and control within a range of 0.125-3.5 LPM
- For use in low flow applications
- Flush setting delivers a maximum of 45 LPM
- Supply pressure of 50 psi

Neonatal and Pediatric 0-200 CCM & 0-1 LPM Flowmeter

- Provides highly accurate gas flow measurement and control within a range of 25-200 CCM (200 CCM model) & 0.1-1 LPM (0-1 LPM model)
- Neonatal and Pediatric identification (stork label)
- For use in Neonatal, Pediatric, and other low flow applications
- Flush setting delivers a maximum of 500 CCM (200 CCM model) & 2.5 LPM (0-1 LPM model)
- Supply pressure of 50 psi
- High precision glass ball ensures clear readability

Lo-High Duplex Oxygen Flowmeters

- Consists of a "Y" adapter** with a LoFlo 3.5 flowmeter on the left branch and a 0-15 LPM flowmeter on the right branch
- Configuration allows the clinician better versatility based on clinical demand.

Twin Oxygen Flowmeters

- Consists of two Pressure Compensated Flowmeters mounted onto a "Y" adapter
- Features compact design yet can accommodate double humidifiers and nebulizers when necessary

FEATURES AND BENEFITS

Durable

- Impact resistant flow tube and shroud
- Solid brass body with full body gas specific colored labeling*.
- D-Shape knob helps prevent striping

Precise

- Pressure compensated, accurate flow readings
- Flow tubes individually tested for accuracy
- High precision glass ball ensures clear readability (0-1 LPM, 0-200 CCM)

Safety features

- White background improves visibility
- Knob and needle valve have a stop to help prevent entire component from unscrewing completely
- Color coded to help prevent cross connections

Optional

- "Second Look" Connector (clear) available on all configurations.
- Traditional color coded connectors available on all configurations

(*excluding Neonatal and Pediatric models)

SPECIFICATIONS

Calibration Pressure and Temperature

- 50 psig (320 kPa) and 70°F (21°C) as specified on the flow tube label

Maximum Pressure

- 100 psig (690 kPa)

Power Outlet Flow Rate (Power Outlet Models Only)

- Minimum 150 LPM with adequate supply flow

Gas	Scale	Increments	Accuracy Averages	Max. Flood/Flush
Oxygen	0-200 CCM	25 CCM (starts at 25 CCM)	+/- 20 CCM	500 CCM
Oxygen	0-1 LPM	0.1 LPM (starts at 0.1 LPM)	+/- 0.1 LPM	2.5 LPM
Oxygen	0-3.5 LPM LoFlo	0.125 LPM (from 0.125 to 1 LPM) 0.25 LPM (from 1 to 3.5 LPM)	+/- 0.125 LPM or +/- 10% of reading (whichever is greater)	45 LPM

Gas	Scale	Increments	Accuracy Averages	Min. Flood/Flush
Oxygen / Medical Air	0-15 LPM	0.5 LPM (from 1 to 5 LPM) 1 LPM (from 5 to 15 LPM)	+/- 0.5 LPM or +/- 10% of reading (whichever is greater)	50 LPM

*Specifications are nominal, subject to change without notice.

SHIPPING INFORMATION

	Flowmeter 0-15 & 0-3.5 LPM	Flowmeter 0-1 LPM	Flowmeter 0-200 CCM	Twin Flowmeter
Weight** **Less fittings and adapters	5.6 oz (159 g)	5.6 oz (159 g)	5.6 oz (159 g)	16 oz (454 g)
Dimensions	Height: 5.5in (139mm) Width: 1.1in (28mm) Depth: 3.4in (86mm)	Height: 5.5in (139mm) Width: 1.1in (28mm) Depth: 3.4in (86mm)	Height: 5.5in (139mm) Width: 1.1in (28mm) Depth: 3.4in (86mm)	Height: 5.5in (139mm) Width: 6in (152mm) Depth: 3.5in (89mm)
Package Dimensions	Height: 8in (203mm) Width: 4.5in (114mm) Depth: 3in (76mm)	Height: 8in (203mm) Width: 4.5in (114mm) Depth: 3in (76mm)	Height: 8in (203mm) Width: 4.5in (114mm) Depth: 3in (76mm)	Height: 6.5in (165mm) Width: 10.25in (260mm) Depth: 7.75in (197mm)

PARTS CONFIGURATION

Adapter	
No Adapter with 1/8" NPT Female	00
Diamond	01
DISS Hand-I-Twist (HIT)	02
DISS Nut & Gland	03
Schrader®	04
Chemetron® Rectangle Striker (NCG) (AIR)	05
Chemetron® Round Striker (NCG) (OXYGEN)	06
Puritan Bennett®	07
O.E.S. Twist	08
O.E.S. Med Star®	09
DISS Male	14

77XX - XXXX - 9XX

Clear Tubing Nipple Nut & Gland	31
Tubing Nipple Nut & Gland	21
DISS Fitting	07

Flowmeters (Oxygen)	
200 CCM O ₂ with DISS fitting	1316
0-1 LPM with O ₂ DISS fitting	1309
LoFlo 3.5 with O ₂ DISS fitting	1305
0-15 LPM O ₂ with O ₂ DISS fitting	1260
0-1 LPM with O ₂ DISS fitting and O ₂ power outlet	1310
LoFlo 3.5 with O ₂ DISS fitting and O ₂ power outlet	1306
0-15 LPM O ₂ with O ₂ DISS fitting and O ₂ power outlet	1261
Twin Flowmeters (Oxygen)	
0-1 LPM Twin with O ₂ DISS fitting	1311
LoFlo 3.5 Twin with O ₂ DISS fitting	1307
0-15 LPM O ₂ Twin with O ₂ DISS fitting	1262
0-1 LPM Twin with O ₂ DISS fitting and O ₂ power outlet	1314
LoFlo 3.5 with O ₂ DISS fitting and O ₂ power outlet	1308
0-15 LPM Twin with O ₂ DISS fitting and O ₂ power outlet	1263
Flowmeters (Medical Air)	
0-15 LPM Air with O ₂ DISS fitting	1264
0-15 LPM Air with O ₂ DISS fitting and Air power outlet	1266
Lo-High Duplex (Oxygen)	
LoFlo 3.5 & 0-15 LPM	1502
LoFlo 3.5 & 0-15 LPM with O ₂ power outlet	1503

© 2018 Ohio Medical, LLC. This document contains information that is proprietary and confidential to Ohio Medical, LLC. Use of this information is under license from Ohio Medical, LLC. Any use other than that authorized by Ohio Medical, LLC is prohibited. Ohio Medical and the Ohio Medical logo are registered trademarks of Ohio Medical, LLC. Chemetron and Med Star are registered trademarks of Allied Healthcare Products. Puritan Bennett is a registered trademark of Covidien LP. Schrader is a registered trademark of Schrader-Bridgeport International.



Ohio Medical LLC
1111 Lakeside Drive, Gurnee, IL 60031 USA
Phone: 1.866.549.6446
www.ohiomedical.com
255441 (Rev. 10) 04/2018



Model: 305303 Stainless Steel
Category: Dispenser, Glove
Subcategory: Triple Box
Manufacturer: Omnimed, Inc
Catalog #: 305303

Atta 3 ID: GLV-685D5

Triple Glove Box Holder. Constructed of durable stainless steel, spot welded, can be mounted vertically or horizontally. Each glove box holder accommodates up to three different glove sizes. Ships 2 per package.

General Production Detail

Arch Sig: Yes	Spatial Sig: No
Arch Code: 01-Fixed Equipment	ADA: No
Critical Path: No	Antimicrobial: No
Type: Medical	Green: No
Furnish Install: Owner / Contractor	

Physical Requirements

Width (in.): 16.0000	Left (in.): N/A
Depth (in.): 3.7500	Right (in.): N/A
Height (in.): 10.0000	Front (in.): N/A
Product Weight (lbs): 3.0000	Back (in.): N/A
Max Operating Weight (lbs):	Top (in.): N/A
Mounting: Wall	Bottom (in.): N/A
Specification notes:	

Structural Requirements

Seismic: No	OPA #:
	Pre-Approval:
Structural notes:	

Technology Requirements

Patient Data: No	Network:
Connection Type: N/A	System:
Technical Connection notes:	

Electrical Requirements

Volts:	Watts: N/A
Hz: N/A	Amps: N/A
KVA:	Circuit: No
UPS: N/A	Plug Type: N/A
Emerg. Power: No	Plug Detail:
Other Volts Avail.: No	Electrical Phase: N/A
BTU/hr: N/A	
Electrical notes:	

Utility Requirements

Water - Cold: No	Gas Type:
Water - Hot: No	Gas Location:
Water - Treated: No	Medical Gas: No
Drain: No	Vent Type:
Drain Location:	Heat Dissipation: N/A
Steam: No	Dissipation Type: Actual
Vacuum - Den. / Med.: No/No	
Plumbing notes:	
Mechanical notes:	

Locations

Level	Arch Dept	Room	Room #	Status	Item Qty	Ext Total Config
Level 7	Critical Care	Critical Care	718, 719, 722, 723, 724, 725, 726, 727, 728, 729, 730, 731, 732, 733, 734	New	1	\$809.85
Level 7	Critical Care	Critical Care - Patient of Size	720	New	1	\$53.99
Level 7	Critical Care	Critical Care - Isolation	714, 715, 716, 717	New	1	\$215.96
Level 7	Pharmacy	Med Room	7521, 7716, 7821	New	1	\$161.97

Level	Arch Dept	Room	Room #	Status	Item Qty	Ext Total Config
Level 7	Progressive Care	Progressive Care	701, 702, 703, 704, 705, 706, 707, 708, 709, 710, 711, 712	New	1	\$647.88
Level 7	Respiratory Therapy	RT Decontam	7720	New	1	\$53.99
Level 7	Patient Care Support	Soiled Work	7520, 7820	New	1	\$107.98
Level 7	Critical Care	Ante Room	714.2, 715.2, 716.2, 717.2	New	1	\$215.96

Total: 42



Horizontal Mount



Vertical Mount

Omni Triple Glove Box Holder - #305303

Steel glove box holders are built for heavy duty use. Constructed of durable stainless steel, they are spot welded for a sleek, easy to care for finish that will withstand years of use and still look new. They are ideal for use in medical, lab and food prep functions or any area where cross contamination is an issue or protective gloves are needed. These holders are simple to load and can be mounted vertically or horizontally on a variety of surfaces. Each glove box holder accommodates up to three different glove sizes to meet staff needs. The dispenser measures 10 inches high by 16 inches wide by 3 3/4 inches deep. These units include a 5 year warranty.

- Stainless steel strength and durability
- Easy to clean, load and mount
- Vertical or horizontal holder for three glove boxes
- Measures 10"H by 16"W by 3 3/4"D
- 5 Year Warranty Included



Model: 692 Single Medium Duty w/Foot Pedal
Category: Hamper
Subcategory: Linen
Manufacturer: R & B Wire Products
Catalog #: 692

Atta 3 ID: HAM-EE72E

Single linen hamper with foot pedal and white ABS high impact lid. Constructed from 7/8in tubing with bright chrome finish. Optional colored lids available. Bag lock secures liners in place. Includes four 3in quiet-ride casters insuring smooth rolling, two are locking. (Bags not included.)

General Production Detail

Arch Sig: No	Spatial Sig: No
Arch Code: 03-Movable Non-Electrical	ADA: No
Critical Path: No	Antimicrobial: No
Type: Medical	Green: No
Furnish Install: Owner / Owner	

Physical Requirements

Width (in.): 17.7500	Left (in.): N/A
Depth (in.): 20.0000	Right (in.): N/A
Height (in.): 35.0000	Front (in.): N/A
Product Weight (lbs): 20.0000	Back (in.): N/A
Max Operating Weight (lbs):	Top (in.): N/A
Mounting: Floor - Mobile	Bottom (in.): N/A
Specification notes:	

Structural Requirements

Seismic: No	OPA #:
	Pre-Approval:
Structural notes:	

Technology Requirements

Patient Data: No	Network:
Connection Type: N/A	System:
Technical Connection notes:	

Electrical Requirements

Volts:	Watts: N/A
Hz: N/A	Amps: N/A
KVA:	Circuit: No
UPS: N/A	Plug Type: N/A
Emerg. Power: No	Plug Detail:
Other Volts Avail.: No	Electrical Phase: N/A
BTU/hr: N/A	
Electrical notes:	

Utility Requirements

Water - Cold: No	Gas Type:
Water - Hot: No	Gas Location:
Water - Treated: No	Medical Gas: No
Drain: No	Vent Type:
Drain Location:	Heat Dissipation: N/A
Steam: No	Dissipation Type: Actual
Vacuum - Den. / Med.: No/No	
Plumbing notes:	
Mechanical notes:	

Locations

Level	Arch Dept	Room	Room #	Status	Item Qty	Ext Total Config
Level 7	Progressive Care	Progressive Care	701, 702, 703, 704, 705, 706, 707, 708, 709, 710, 711, 712	New	1	\$1,872.60
Level 7	Critical Care	Critical Care - Patient of Size	720	New	1	\$156.05
Level 7	Critical Care	Critical Care - Isolation	714, 715, 716, 717	New	1	\$624.20
Level 7	Critical Care	Critical Care	718, 719, 722, 723, 724, 725, 726, 727, 728, 729, 730, 731, 732, 733, 734	New	1	\$2,340.75



HEALTHCARE HAMPERS

We manufacture the largest selection of healthcare hampers in the world. Ranging from healthcare to hospitality, R&B hampers are trusted by the best in the industry.



692 Single Medium Duty w/ Foot Pedal

Height 35" (standard), 32", 28" options available

- Chrome-plated steel tubular construction
- 3" Casters, 2 with brakes
- White ABS lid (standard)
- Ships knocked-down; fast assembly



694 Double Medium Duty w/ Foot Pedal

Height 35" (standard), 32" option

- Chrome-plated steel tubular construction
- 3" Casters, 2 w/ brakes
- White ABS lid (standard)
- Ships knocked-down; fast assembly



697 Wire Hamper w/ Foot Pedal

- Zinc-plated steel construction
- 2" Casters
- White ABS lid (standard)
- Ships knocked-down; fast assembly

Healthcare Hamper Options

Bag Colors Lid Colors (Standard)



Model: High-Security Janitorial Cleaning Cart [9T75]
Category: Cart, Housekeeping
Subcategory: Polymer
Manufacturer: Rubbermaid Commercial Products
Catalog #: FG9T7500BLA

Atta 3 ID: HSK-D62EF

Housekeeping polymer cart. Features: Black. 34 gallon capacity. 7.25 cu.ft. of locking cabinet space. Locking security hood; waste cover, rubber tool holders (4) in front and (1) in back. Double locking doors (both sides of cart). Two removable 10 qt 6-bottle caddies, Lobby dust pan/vacuum holder, mop bucket platform. Aluminum and plastic construction with 4 inch casters and 8 inch wheels.

General Production Detail

Arch Sig: No	Spatial Sig: Yes
Arch Code: 03-Movable Non-Electrical	ADA: No
Critical Path: No	Antimicrobial: No
Type: Non-Medical	Green: No
Furnish Install: Owner / Owner	

Electrical Requirements

Volts:	Watts: N/A
Hz: N/A	Amps: N/A
KVA:	Circuit: No
UPS: N/A	Plug Type: N/A
Emerg. Power: No	Plug Detail:
Other Volts Avail.: No	Electrical Phase: N/A
BTU/hr: N/A	
Electrical notes:	

Physical Requirements

Width (in.): 22.0000	Left (in.): N/A
Depth (in.): 48.2500	Right (in.): N/A
Height (in.): 53.5000	Front (in.): N/A
Product Weight (lbs): 70.0000	Back (in.): N/A
Max Operating Weight (lbs):	Top (in.): N/A
Mounting: Floor - Mobile	Bottom (in.): N/A
Specification notes:	

Utility Requirements

Water - Cold: No	Gas Type:
Water - Hot: No	Gas Location:
Water - Treated: No	Medical Gas: No
Drain: No	Vent Type:
Drain Location:	Heat Dissipation: N/A
Steam: No	Dissipation Type: Actual
Vacuum - Den. / Med.: No/No	
Plumbing notes:	
Mechanical notes:	

Structural Requirements

Seismic: No	OPA #:
	Pre-Approval:
Structural notes:	

Technology Requirements

Patient Data: No	Network:
Connection Type: N/A	System:
Technical Connection notes:	

Locations

Level	Arch Dept	Room	Room #	Status	Item Qty	Ext Total Config
Level 7	Family Waiting	EVS	7606	New	2	\$3,189.56

Total: 2

High-Capacity Janitorial Cleaning Cart with Bins

Multifunctional system that is great for microfiber or standard cleaning

- Flexible and configurable to fit your ever-changing cleaning needs
- 30-Qt removable bins offer organization and the ability to pre-stock supplies
- Mop bucket platform with securing grooves keeps WaveBrake® or HYGEN™ microfiber charging buckets in place
- Available components vary in color, size, and function to fit your specific needs (see *Cleaning and Housekeeping Cart Accessories*)



FG9T7300BLA

NO.	COLOR	DESCRIPTION	U.S. DIMENSIONS	U.S. SHIP WT/CTN	METRIC DIMENSIONS	METRIC SHIP WT/CTN	PACK
FG9T7300	BLA	Janitorial Cleaning Cart w/Bins – High-Capacity	48.25" l x 22" w x 44" h	53.0 lb	122.6 cm x 55.9 cm x 111.8 cm	24 kg	1
FG9T7400	BLA	Janitorial Cleaning Cart Full Swivel w/Bins – High-Capacity	48.25" l x 22" w x 44" h	53.0 lb	122.6 cm x 55.9 cm x 111.8 cm	24 kg	1

High-Security Janitorial Cleaning Carts

A complete system solution for cleaning your facility.

- Secure cabinet doors keep supplies concealed and locks secure unattended carts
- Interchangeable handles and removable platform allow user to easily expand or reduce the footprint
- Durable 8" wheels and quiet 4" casters provide easy and quiet maneuverability
- Joint Commission-compliant to meet Environment of Care Standard 3.10.3 with locking doors and hood
- Available components vary in color, size, and function to fit your specific needs (see *Cleaning and Housekeeping Cart Accessories*)

PREASSEMBLED LOCKING SECURITY HOOD

Speeds up assembly and ensures all products will be secure



FG9T7500BLA



WASTE COVER AND STORAGE COMPARTMENT

Provides waste coverage and offers functional storage for personal items.

NO.	COLOR	DESCRIPTION	U.S. DIMENSIONS	U.S. SHIP WT/CTN	METRIC DIMENSIONS	METRIC SHIP WT/CTN	PACK
FG9T7500	BLA	Janitorial Cleaning Cart – High-Security	48.25" l x 22" w x 53.5" h	70.0 lb	122.6 cm x 55.9 cm x 135.9 cm	31.8 kg	1
1861427	BLACK	Executive Janitorial Cleaning Cart – High-Security	48.25" l x 22" w x 53.5" h	70.0 lb	122.6 cm x 55.9 cm x 135.9 cm	31.8 kg	1

UTILITY REFUSE AND RECYCLING

DECORATIVE REFUSE

CLEANING

MATERIAL HANDLING

WASHROOM

FOODSERVICE

ACCESSORIES & INDEX



Model: Symphony Plus 12CI425A-S
Category: Ice Machine
Subcategory: Dispenser, Nugget, Countertop
Manufacturer: Follett LLC
Catalog #: 12CI425A-S

Atta 3 ID: ICE-153E3

Countertop ice and water dispenser with integral, air-cooled ice machine. SensorSAFE infrared dispensing. Produces up to 425 lbs of compressed nugget ice/24 hrs. Storage capacity 12 lbs. Stainless steel cabinet with accent trim, corrosion-resistant poly drain pan, grille and dispenser lid. Agion silver-based antimicrobial product protection of key ice and water contact components. Quiet Night sleep mode turns off ice machine when idle. NSF and ETL listed.

General Production Detail

Arch Sig: Yes	Spatial Sig: Yes
Arch Code: 01-Fixed Equipment	ADA: No
Critical Path: No	Antimicrobial: Yes
Type: Non-Medical	Green: No
Furnish Install: Owner / Contractor	

Physical Requirements

Width (in.): 16.1200	Left (in.): N/A
Depth (in.): 23.5000	Right (in.): 6.0000
Height (in.): 32.5000	Front (in.): N/A
Product Weight (lbs): 156.0000	Back (in.): N/A
Max Operating Weight (lbs):	Top (in.): 12.0000
Mounting: Counter/Cart/Table/Pole	Bottom (in.): N/A
Specification notes:	

Structural Requirements

Seismic: Yes	OPA #:
	Pre-Approval:
Structural notes:	

Technology Requirements

Patient Data: No	Network:
Connection Type: N/A	System:
Technical Connection notes:	

Electrical Requirements

Volts: 115	Watts: 1265.0000
Hz: 60	Amps: 11.0000
KVA:	Circuit: Yes
UPS: N/A	Plug Type: Type B (Nema 5-15)
Emerg. Power: No	Plug Detail:
Other Volts Avail.: Yes	Electrical Phase: Single Phase
BTU/hr: 5000.0000	
Electrical notes:	

Utility Requirements

Water - Cold: Yes	Gas Type:
Water - Hot: No	Gas Location:
Water - Treated: No	Medical Gas: No
Drain: Yes	Vent Type:
Drain Location:	Heat Dissipation: 5000.0000
Steam: No	Dissipation Type: Actual
Vacuum - Den. / Med.: No/No	
Plumbing notes:	
Mechanical notes:	

Locations

Level	Arch Dept	Room	Room #	Status	Item Qty	Ext Total Config
Level 7	Patient Care Support	Staff Lounge	7518	New	1	\$4,515.01
Level 7	Patient Care Support	Nourishment	7514, 7714, 7817	New	1	\$13,545.03

Total: 4



Shown with SensorSAFE™



Symphony Plus™ ice and water dispenser

12 CI series countertop with Chewblet® ice machine

Features

Narrow, 16.12" (40.9 cm) width

12 lb (5.4 kg) ice storage capacity

Integral air-cooled ice machine with up to 425 lb (193.0 kg) daily production of Chewblet ice

- soft, chewable, compressed nugget ice is preferred over cubes¹ and is ideal for patient care
- Quiet Night™ sleep mode turns off ice machine when idle

Designed with sanitation in mind

- automatic self-flushing of ice machine removes impurities
- drain cup provides internal air gap for added protection of food zone components from drain line contaminants
- Agion® silver-based antimicrobial provides protection of key ice and water contact components²
- one-hand lever or SensorSAFE infrared ice dispense

Dependable design, easy to service and clean

- cleaning and sanitizing of entire machine takes only 1 hour
- LED control board provides at-a-glance machine status
- panels are easily removed for accessibility to all components
- ice machine parts are common across all Symphony Plus dispensers
- stainless steel evaporator and auger deliver long life

Environmentally responsible

- meets Consortium for Energy Efficiency Tier 2 specifications
- R404a refrigerant has zero ozone depletion potential
- continuous ice making process uses less electricity and water

Durable, attractive dispenser

- stainless steel cabinet with accent trim
- poly drain pan, grille and dispenser lid are corrosion-resistant

Easy installation

- comes fully assembled and installs with three easy connections – electric, water and drain

Warranty

- 3 years parts and labor, 5 years compressor parts

Accessories

- Base stand with or without factory installed filter (refer to form# 7010)
- 4.00" (10.16 cm) leg kit (item# AF10LBLEGS)
- Pressurized water sanitizing kits (refer to form# 6830)
- SafeCLEAN Plus™ ice machine cleaner
 - 6 x 8 oz (237 ml) bottles (item# 01149954)
 - Carton of 24 x 8 oz (237 ml) bottles (item# 01149962)
- Nu-Calgon® IMS-III sanitizer, 16 oz (0.5 L) bottle (item# 00979674)
- Additional filters (refer to form# 9905 and 8320)
- Additional Symphony Plus accessories (refer to price list)

SensorSAFE infrared dispense (optional)



SensorSAFE not recommended for use with clear containers or for applications in direct sunlight

Model configurations			
Ice storage capacity	Dispense	Ice machine cooling	Item number
12 lb (5.4 kg)	Lever	air	12CI425A-L
	SensorSAFE	air	12CI425A-S

Ice-only available, add -I
Example: 12CI425A-LI

Ice production		
Temperatures air/water	70/50 F (21/10 C)	90/70 F (32/21 C)
Air-cooled	425 lb (193.0 kg)	325 lb (147.6 kg)
Energy consumption per 100 lb (45.4 kg) ice	N/A	6.0 kWh air-cooled
Water consumption	12.0 gal (45.4 L) of potable water per 100 lb (45.4 kg) of ice	

Job _____
Item _____

801 Church Lane | Easton, PA 18040, USA
1.800.523.9361 | 1.610.252.7301 | follettice.com



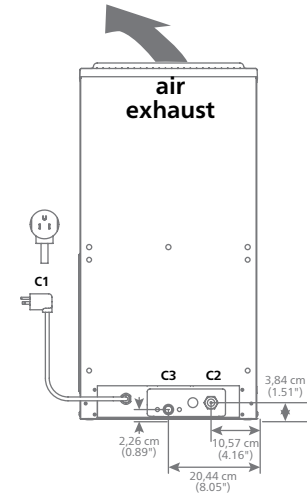
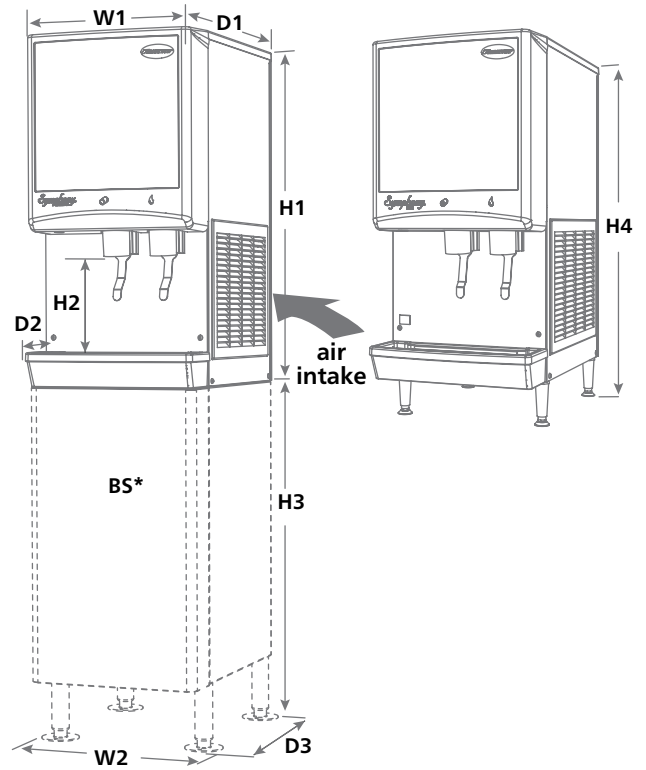
Specification

Ice storage capacity	12 lb (5.4 kg)
W1 Width	16.12" (40.9 cm)
W2 Width, base stand accessory	17.50" (44.4 cm)
D1 Depth, entire dispenser	23.50" (59.7 cm)
D2 Depth, drain pan	5.50" (13.97 cm)
D3 Depth, base stand accessory	22.00" (55.9 cm)
H1 Height, dispenser	32.50" (82.6 cm)
H2 Dispense height clearance	9.38" (23.83 cm)
H3 Height, base stand accessory	33.00" (83.8 cm)
H4 Height, leg kit accessory	36.64" (93.1 cm)
Ventilation clearance	6.00" (15.24 cm) top and right side
Service clearance	12.00" (30.5 cm) top
Utility connection location	through back or bottom
C1 115 V/60/1 electrical	11 amps, 0.8 kW 8.5' (2.6 m) cord w/ NEMA 5-15 90° hospital-grade plug
C2 Potable water inlet	3/8" FPT
C3 Drain	3/4" MPT
Air temperature	50 - 100 F (10 - 38 C)
Water temperature	45 - 90 F (7 - 32 C)
Water pressure	10 - 70 psi (69 - 483 kpa)
Heat rejection	5000 BTU/hr
Approximate net weight	144 lb (65 kg)
Approximate ship weight	199 lb (90 kg)
Approximate ship weight, base stand accessory	80 lb (36 kg)

NOTE: For indoor use only

SHORT FORM SPECIFICATION: (Choose one) ___ Ice and water or ___ ice-only dispenser to be Follett® automatic load in countertop configuration, with 12 lb (5.4 kg) of storage and separate ice and water chutes. Environmentally responsible R404a air-cooled ice machine to have 24 hour production capacity of approximately 425 lb (193.0 kg) of Chewblet compressed nugget ice at water temp. of 70 F (21 C); air temp. of 50 F (10 C). Ice machine equipped with automatic self-flushing and Quiet Night sleep mode. Dispenser to have automatic bin level control to start and stop ice machine. Storage area insulated with CARB compliant non-HFC foam. 8.5' (2.6 m) cord and NEMA 5-15 90° hospital grade plug provided. NSF and ETL listed.

Dimensional drawing



BS* – Base stand sold separately; measurements shown are with base stand legs at lowest position.

See dispenser detail sheet, form# 6675, for counter cutouts.

¹ Independent third party studies. Contact Follett for details.

² Disclaimer: Antimicrobial protection is limited to the treated components and does not treat water or ice.

Agion is a registered trademark of Sciescent LLC.

SYMPHONY PLUS, SENSORSAFE, SAFECLEAN PLUS and QUIET NIGHT are trademarks of Follett LLC.

CHEWBLET and FOLLETT are registered trademarks of Follett LLC, registered in the US.

Follett reserves the right to change specifications at any time without obligation. Certifications may vary depending on country of origin.

12 CI series countertop



Model: Alaris PCA Pump Module (8120)
Category: Pump, Infusion
Subcategory: PCA
Manufacturer: BD - Becton, Dickinson and Company
Catalog #: 8120

Atta 3 ID: INF-2DD39

PCA infusion pump module to be used with Alaris PC unit. Integrates a syringe-based patient-controlled analgesia (PCA) device with large volume pump (LVP). Features flow rate programming range 0.1 to 999mL/hr, rate restriction by syringe size, wireless connectivity. Offers PCA delivery and continuous respiratory monitoring on one platform. The PCA pause protocol feature pauses the PCA infusion. This capability deactivates the patient dose button and continuous infusion when the hospital-set respiratory and/or oxygen-saturation rate alarm limits are exceeded.

General Production Detail

Arch Sig: No	Spatial Sig: No
Arch Code: 02-Movable Electrical	ADA: No
Critical Path: No	Antimicrobial: No
Type: Medical	Green: No
Furnish Install: Owner / Owner	

Physical Requirements

Width (in.): 4.5000	Left (in.): N/A
Depth (in.): 7.5000	Right (in.): N/A
Height (in.): 15.0000	Front (in.): N/A
Product Weight (lbs): 6.0000	Back (in.): N/A
Max Operating Weight (lbs):	Top (in.): N/A
Mounting: Counter/Cart/Table/Pole	Bottom (in.): N/A
Specification notes:	

Structural Requirements

Seismic: No	OPA #:
	Pre-Approval:
Structural notes:	

Technology Requirements

Patient Data: No	Network:
Connection Type: N/A	System:
Technical Connection notes:	

Electrical Requirements

Volts: 120	Watts: N/A
Hz: 60	Amps: N/A
KVA:	Circuit: No
UPS: N/A	Plug Type: Special
Emerg. Power: No	Plug Detail:
Other Volts Avail.: No	Electrical Phase: Single Phase
BTU/hr: N/A	
Electrical notes:	

Utility Requirements

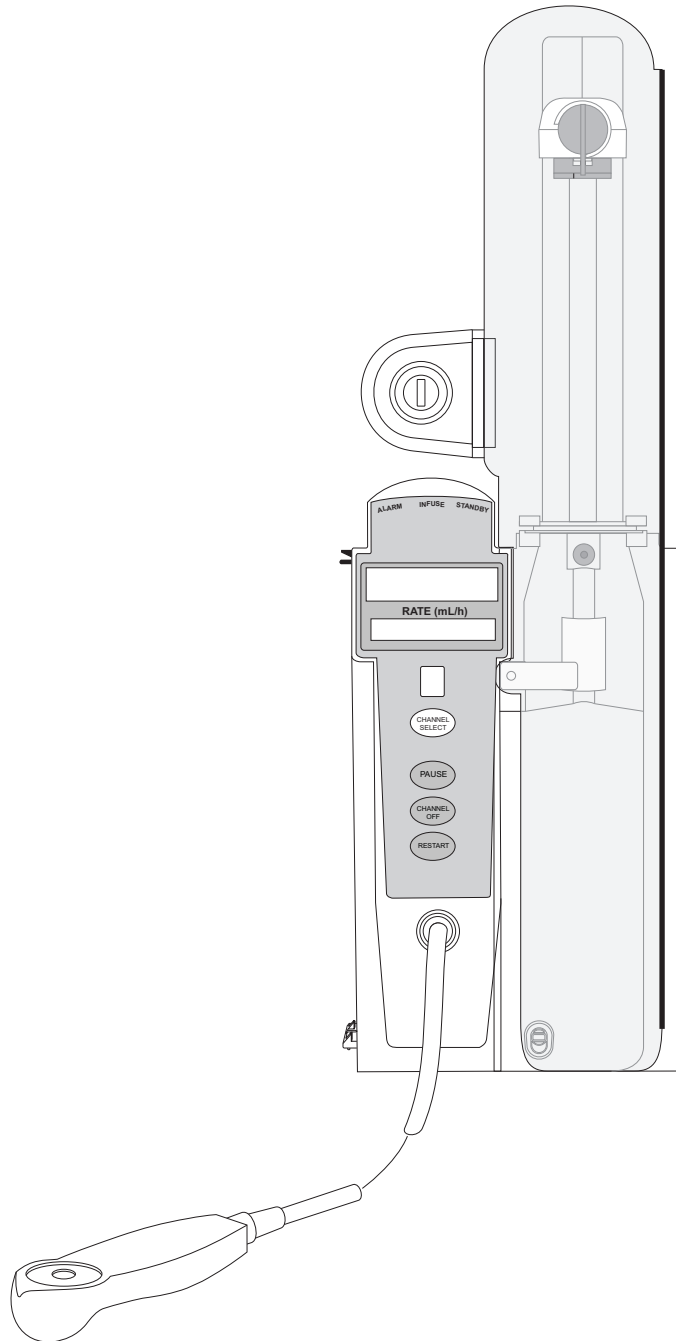
Water - Cold: No	Gas Type:
Water - Hot: No	Gas Location:
Water - Treated: No	Medical Gas: No
Drain: No	Vent Type:
Drain Location:	Heat Dissipation: N/A
Steam: No	Dissipation Type: Actual
Vacuum - Den. / Med.: No/No	
Plumbing notes:	
Mechanical notes:	

Locations

Level	Arch Dept	Room	Room #	Status	Item Qty	Ext Total Config
Level 7	Patient Care Support	Equipment Storage (West)	7822	New	10	\$34,950 .00

Total: 10

Alaris PCA Module Model 8120



Introduction

This section of the User Manual provides PCA module (Model 8120) instructions and information. It is used in conjunction with:

- Alaris product administration set instructions
- Drug product labeling
- CareFusion Infusion Disposables Catalog (may be downloaded from www.carefusion.com)
- *PCA Module Technical Service Manual*
- *PC unit chapter of this User Manual*
- System Maintenance software (and its instructions) for Alaris System check-in, maintenance, and wireless configuration

The PCA module is intended for facilities that use syringe pumps for the delivery of medications or fluids. The PCA module is indicated for use on adults, pediatrics and neonates for continuous or intermittent delivery through clinically acceptable routes of administration; such as, intravenous (IV), subcutaneous or epidural. Only one PCA module can be connected to the Alaris System.

Administration Sets/Syringes: See "General Information" for specific administration set and syringe instructions.

- Administration Set Information
- Compatible Syringes

Alarms, Errors, Messages: See "Troubleshooting and Maintenance" for module-specific alarms, errors, and messages.

Contraindications: None known.

Electromagnetic Environment: See "Appendix" section of this User Manual ("Regulations and Standards," "Compliance").

WARNING



Read all instructions, for both the PCA module and PC unit, before using the Alaris System.

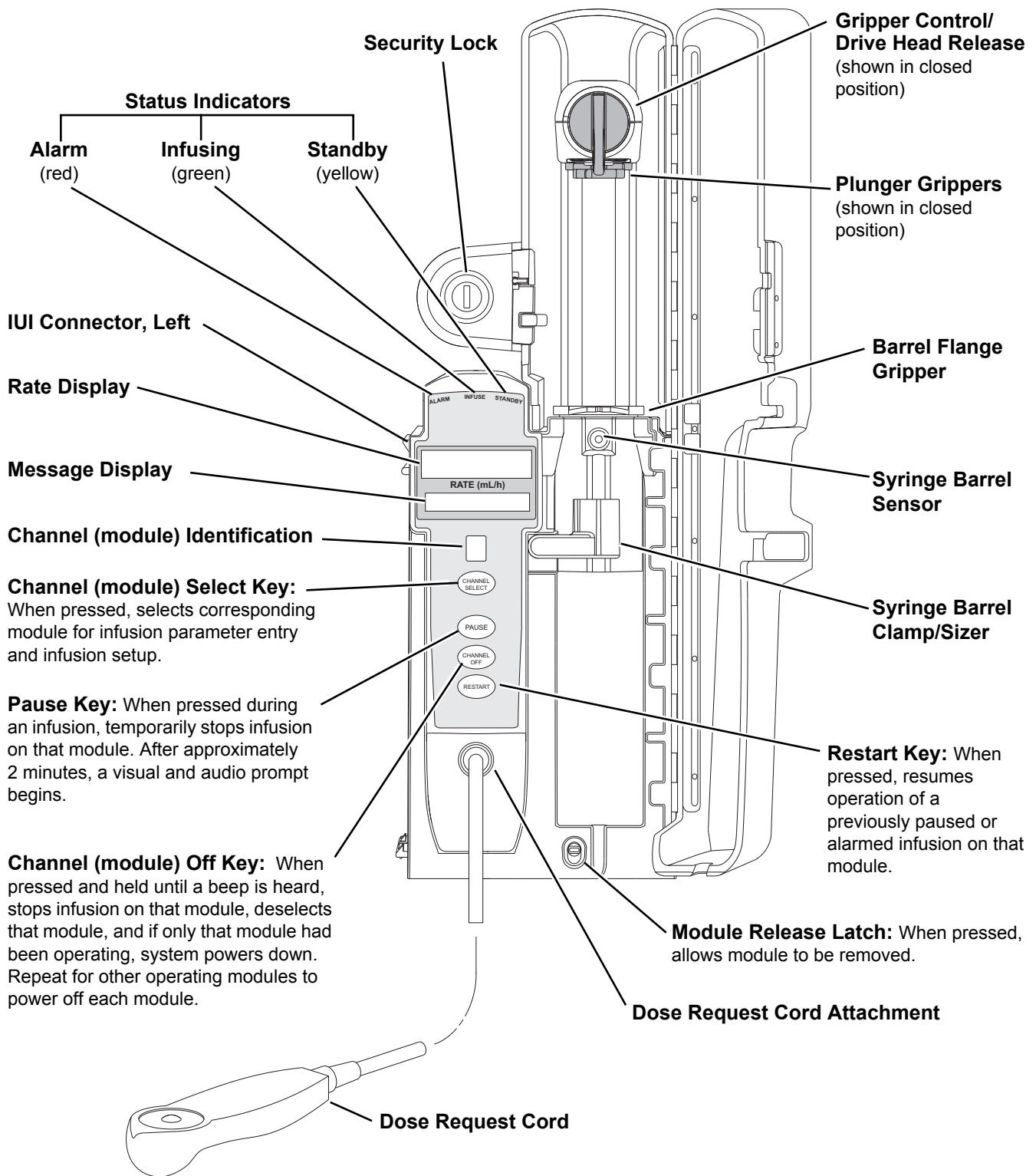
CAUTION



Rx Only

Features and Displays (Continued)

Operating Features, Controls, Indicators



Features and Displays (Continued)

Displays

The displays illustrated throughout this document are for illustration purposes only. The display content varies, depending on configuration settings, type of administration set in use, hospital-defined Data Set uploaded using the Guardrails Suite MX, programmed drug calculation parameters, and many other variables. Refer to specific drug product labeling for information concerning appropriate administration techniques and dosages.

Configurable Settings

See the PC unit section of this User Manual for system configurable settings.

The configuration settings are selected during Data Set development and then uploaded to the Alaris System as part of the data.

With the Profiles feature enabled, the settings are configured independently for each Profile. A hospital-defined, best-practice Data Set must be uploaded to enable the Profiles feature. Date and Time is a system setting and is the same in all Profiles.

Feature	Default Setting	Options
Authorization Code	None	4 digits (0 - 9) One code applies to all Profiles
Bolus Delivery Rate	150 mL/h	75 - 500 mL/h (limited by syringe size)
Bolus Dose	Disabled	Enabled - Disabled
Bolus Dose include in Max. Limit	Disabled	Enabled - Disabled
Dose Request Cord Configuration	Profile 2	Profile 1, 2, 3
Forced Module Location	Enabled	Enabled - Disabled
Loading Dose	Disabled	Enabled- Disabled
Lockout Interval	1 - 99 minutes in 1-minute increments	Min/Max 1 - 99 minutes

Specifications and Symbols (Continued)

Feature	Default Setting	Options
Max Accumulated Dose Range	4-hour limit	Disabled; 1, 2, or 4-hour limit
Max Rate (for Continuous Dose) ^①	999 mL/h	0.1 - 99.9 mL/h in 0.1 mL/h increments; 100 - 999 mL/h in 1 mL/h increments
NEIO • Alert Time	Disabled	Enabled - Disabled 5 - 25% of remaining infusion
Occlusion Pressure Set Point	High (800 mmHg)	Low (200 mmHg) Medium (500 mmHg) High (800 mmHg)
PCA Pause Protocol: • PCA Pause Protocol • Monitoring Module Attach Enforcement • PCA Pause Protocol Text • SpO ₂ Settings: ^② ◦ % SpO ₂ Low Limit ◦ Initial Value • EtCO ₂ Settings: ◦ Respiratory Rate Lower Limit (bpm) ◦ Initial Value	Disabled None PCA infusion has paused due to a decline in respiratory status. Check patient. None None None None	Enabled - Disabled Enabled - Disabled Editable per hospital protocol 20 - 99 20 - 99 0 - 149 0 - 149
Priming	Enabled	Enabled- Disabled
Security Access Level	Level 1	Level 1, 2, 3

NOTES:

- ① This configuration setting is a shared setting between the PCA module and the Syringe module.
- ② These values are configured in the SpO₂ module settings within the Editor Software and can be changed by the clinician by accessing Channel Options on the PCA module.
- ③ These values are configured in the EtCO₂ module settings within the Editor Software and can be changed by the clinician by accessing Channel Options on the PCA module.

Specifications and Symbols

Specifications

Bolus Dose Range: Configured according to hospital best-practice guidelines.

Bolus Volume, Maximum after Occlusion:

Occlusion Pressure Limit	Bolus Volume (mL)
Low	0.994
High	0.396

Maximum Bolus Volume specifications are based on following standard operating conditions:

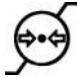


Atmospheric Pressure: 645 - 795 mmHg
 Disposable Type: #30883
 Humidity: 20 - 90%
 Rate: 5 mL/h
 Syringe Type: BD 50/60 mL
 Temperature: 68 ±4°F
 Volume Collection Time: approximately 2 minutes

Critical Volume: Maximum over-infusion which can occur in the event of a single-fault condition will not exceed 2% of nominal syringe fill volume during loading and 1% of maximum syringe travel after syringe loading.

Delivery Units: mcg, mcg/h, mg, mg/h, mL, mL/h

Dimensions: 4.5" W x 15.0" H x 7.5" D (exclusive of security door)

Environmental Conditions:

Symbol	Meaning	Operating	Storage/Transport
	Atmospheric Pressure	525 - 4560 mmHg (700 - 6080 hPa)	375 - 760 mmHg (500 - 1013 hPa)
	Relative Humidity (Avoid prolonged exposure to relative humidity >85%)	20 - 90% Noncondensing	5 - 85% Noncondensing
	Temperature Range	41 - 104°F (5 - 40°C)	-4 - 140°F (-20 - 60°C)

Equipment Orientation: To ensure proper operation, Alaris System must remain in an upright position.

Specifications and Symbols (Continued)

Specifications (Continued)

Flow Rate Programming: Flow rate range is from 0.1 to 999 mL/h and can be selected as follows:

Flow Rates (mL)	Selectable Increments (mL/h)
0.10 - 9.99	0.01
10 - 99.9	0.1
100 - 999	1.0

Rate Restriction by Syringe Size:

Syringe Size (mL)	Flow Rate Range (mL/h)
20	0.1 - 500
30/35	0.1 - 650
50/60	0.1 - 999

Fluid Ingress Protection: IPX1, Drip Proof

Loading Dose Range: Configured according to hospital best-practice guidelines.

Maximum Dose Range: Configured according to hospital best-practice guidelines.

Occlusion Alarm Thresholds: Three settings:
Low
Medium
High

Operating Principle: Positive displacement

PCA Dose Range: Configured according to hospital best-practice guidelines.

Rate Accuracy: $\pm 2\%$ of full scale plunger travel (not including syringe variation)

WARNING



Syringe size and running force, variations of back pressure, or any combination of these **can affect rate accuracy**. Factors that can influence back pressure are: Administration set configuration, IV solution viscosity, and IV solution temperature. Back pressure can also be affected by type of catheter. See "Trumpet and Start-Up Curves" for data on how these factors influence rate accuracy.

Shock Protection: Type CF, Defibrillator Proof patient applied part. (PCA module)
Type BF, Defibrillator Proof patient applied part. (Dose Request Cord)

Specifications and Symbols (Continued)

Specifications (Continued)

Time to Alarm, Maximum:

Rate (mL)	High	Low
1	120 minutes	37 minutes
5	30 minutes	7 minutes








Maximum Time to Alarm specifications are based on following standard operating conditions:

Atmospheric Pressure:	645 - 795 mmHg
Back Pressure:	0 mmHg before producing occlusion
Disposable Type:	#30883
Humidity:	20 - 90%
Syringe Type:	BD 50/60 mL
Temperature:	68 ±4°F

Weight: 5.5 lbs

Symbols

See the PC unit section of this User Manual for system symbols.

Symbol	Meaning—Alaris Pump Module and Alaris Syringe Module
	Type CF defibrillation-proof patient applied part (PCA module).
	Type BF defibrillation-proof patient applied part (Dose Request Cord).
	Manufacturer
<small>Single-Use</small> 	Single-Use. Do not re-use.
	DEHP in fluid pathway.
	Non-DEHP plasticizer in fluid pathway.
	No DEHP in fluid pathway.



Model: Alaris PC Unit (8015)
Category: Pump, Infusion
Subcategory: Controller, Modular
Manufacturer: BD - Becton, Dickinson and Company
Catalog #: 8015

Atta 3 ID: INF-39A21

Modular controller infusion pump. Central programming and power supply component for the Alaris System infusion modules. Color display, integrated wireless connectivity and Guardrails Suite MX wireless software.

General Production Detail

Arch Sig: Yes	Spatial Sig: No
Arch Code: 02-Movable Electrical	ADA: No
Critical Path: No	Antimicrobial: No
Type: Medical	Green: No
Furnish Install: Owner / Owner	

Physical Requirements

Width (in.): 7.0000	Left (in.): N/A
Depth (in.): 9.0000	Right (in.): N/A
Height (in.): 9.0000	Front (in.): N/A
Product Weight (lbs): 8.0000	Back (in.): N/A
Max Operating Weight (lbs):	Top (in.): N/A
Mounting: Counter/Cart/Table/Pole	Bottom (in.): N/A
Specification notes:	

Structural Requirements

Seismic: No	OPA #:
	Pre-Approval:
Structural notes:	

Technology Requirements

Patient Data: No	Network:
Connection Type: Data	System:
Technical Connection notes:	

Electrical Requirements

Volts: 120	Watts: 150.0000
Hz: 60	Amps: 1.3000
KVA:	Circuit: No
UPS: N/A	Plug Type: Type B (Nema 5-15)
Emerg. Power: No	Plug Detail:
Other Volts Avail.: No	Electrical Phase: Single Phase
BTU/hr: N/A	
Electrical notes:	

Utility Requirements

Water - Cold: No	Gas Type:
Water - Hot: No	Gas Location:
Water - Treated: No	Medical Gas: No
Drain: No	Vent Type:
Drain Location:	Heat Dissipation: N/A
Steam: No	Dissipation Type: Actual
Vacuum - Den. / Med.: No/No	
Plumbing notes:	
Mechanical notes:	

Locations

Level	Arch Dept	Room	Room #	Status	Item Qty	Ext Total Config
Level 7	Critical Care	Critical Care	718, 719, 722, 723, 724, 725, 726, 727, 728, 729, 730, 731, 732, 733, 734	New	2	\$87,215.10
Level 7	Critical Care	Critical Care - Isolation	714, 715, 716, 717	New	2	\$23,257.36
Level 7	Progressive Care	Progressive Care	701, 702, 703, 704, 705, 706, 707, 708, 709, 710, 711, 712	New	1	\$34,886.04
Level 7	Critical Care	Critical Care - Patient of Size	720	New	2	\$5,814.34

Wireless connectivity right out of the box

Alaris® PC unit

The Alaris® PC unit is the core of the Alaris System and provides a common user interface for programming infusions and monitoring, helping reduce complexity at the point of care.



The Alaris PC unit provides everything you need to collect, interpret and respond to IV medication data captured at the point of care. Using wireless dataset transfer and Guardrails® alerts, you can quickly download data for rapid cycle improvement. The hospital's latest drug and IV therapy delivery parameters can be uploaded just as easily, helping ensure nurses and other caregivers always have the most up-to-date information. Hospitals that have a wireless network can use the Alaris Systems Manager to bridge the gap between IV and IT, providing centralized access to infusion and monitoring data at every bedside.

Alaris®



Exceptional versatility

- A common user interface simplifies IV administration by standardizing the Alaris Pump, Syringe and PCA on one platform.
- Monitoring can be added with the Alaris SpO₂ and EtCO₂ modules, allowing the clinician to automatically pause PCA infusions if patients fall below target respiratory levels.
- The Alaris Auto-ID module offers a unique IV barcoding solution that attaches directly onto the Alaris System.

Increased protection for IV safety

- Guardrails Suite MX software is the most comprehensive safety software available.
- The wirelessly enabled software is available on every device.
 - The software is Federal Information Processing Standard (FIPS) 140-2 compliant: Guardrails Point of Care and Operating System software version is available.
- Guardrails Suite MX software provides the right protection for every infusion by double-checking dose, duration and delivery rate as well as protecting critical infusions, such as chemotherapy.

Powerful analytics

- Guardrails software allows you to convert data into meaningful information so you can quickly identify opportunities for clinical and operational improvement.
- With Guardrails CQI Reporter, you have the tools to spot subtle trends, measure the effectiveness of your IV formularies and best practices, and continuously optimize patient care.



The Alaris PC unit makes it easier than ever to increase IV medication safety and continuously improve clinical best practices, regardless of the existing wireless infrastructure.

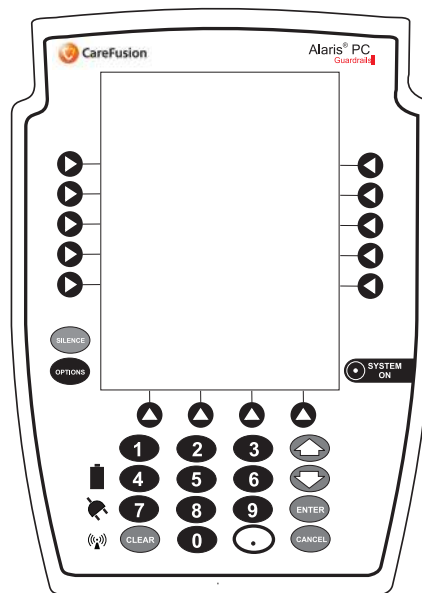
CareFusion
San Diego, CA

carefusion.com

© 2014 CareFusion Corporation or one of its subsidiaries. All rights reserved. Alaris, Guardrails, CareFusion and the CareFusion logo are trademarks or registered trademarks of CareFusion Corporation or one of its subsidiaries. IF3633 (0614/1000)



Alaris PC Unit Model 8015



Specifications and Symbols

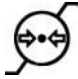


Specifications

Battery Operation:	<p>Battery run time is a function of the number of modules attached and module activity. With a new, fully charged battery, the system operates as follows before a "BATTERY DISCHARGED" message occurs:</p> <ul style="list-style-type: none">• 6 hours with one Pump module infusing at 25 mL/h• 6 hours with one Pump module infusing at 25 mL/h and one Auto-ID module• 3 hours with four Pump modules infusing at 25 mL/h• 3 hours with four Pump modules infusing at 25 mL/h and one Auto-ID module• 4.5 hours with one active SpO₂ module• 6 hours with one Syringe module or PCA module infusing at 5 mL/h• 3 hours with four Syringe modules, or one PCA module and three Syringe modules, infusing at 5 mL/h• 4 hours with one active EtCO₂ module
Communication Data Port:	RS-232 with an RJ45 connector.
Dimensions:	6.9" W x 8.8" H x 9" D (including pole clamp)
Electric Classification:	Class 1, Internally Powered Equipment
Electronic Memory:	<p>The System configuration/data set is stored in compact flash memory along with operating software.</p> <p>The events and error logs are stored in the on-board flash memory in the Alaris PC unit and modules. This is nonvolatile memory and can be held indefinitely or until replaced with new data and not lost when power is turned off or the battery is in a weak/discharged state.</p> <p>Module-specific parameters are stored for 8 hours when system is turned off. After 8 hours of continuous off-time, or if a module is detached, module-specific trend data (if applicable) and module-specific operating parameters are automatically purged. If a PCA, SpO₂ or EtCO₂ module is detached and replaced with another PCA, SpO₂, or EtCO₂ module, its module-specific trend data is purged.</p> <p>Memory will not be lost due to a weak/discharged battery as data is stored on flash memory as noted.</p> <p>Compact flash memory: Stores application software, audio wave files, Data Set, and hex files data for operating system software, all needed to operate the Alaris System.</p> <p>On-board flash memory: Contains software needed to initially turn on Alaris System. Stores boot software application, and events, errors and battery logs.</p>

Specifications and Symbols (Continued)

Specifications (Continued)

Environmental Conditions:

Symbol	Meaning	Operating	Storage/Transport
	Atmospheric Pressure	525 - 4560 mmHg (700 - 6080 hPa)	375 - 760 mmHg (500 - 1013 hPa)
	Relative Humidity (Avoid prolonged exposure to relative humidity >85%)	20 - 90% Noncondensing	5 - 85% Noncondensing
	Temperature Range	41 - 104°F (5 - 40°C)	-4 - 140°F (-20 - 60°C)

Equipment Orientation: To ensure proper operation, Alaris System must remain in an upright position.

Fluid Ingress Protection: IPX1, Drip Proof

Mode of Operation: Continuous

Power Requirements: 100 - 240V ~, 50/60 Hz, 150 VA MAX

Shock Protection: Type CF, Defibrillator-Proof patient applied part

Weight: 7.2 lbs



Model:MRidium 3860+
Category: Pump, Infusion
Subcategory: Single, MRI
Manufacturer:IRadimed Corporation
Catalog #: 3860+

Atta 3 ID: INF-4D95A

MRI infusion pump. Non-magnetic linear peristaltic infusion pump with integrated Masimo SET® SpO2 monitoring. Expanded Delivery Range of 0.1 to 1400 mL per hour. 10 key numeric input keypad, 12 hour battery life. Approved for use in 0.2 to 3.0 T magnets. Completely operational up to the 10,000 gauss line.

General Production Detail

Arch Sig: No	Spatial Sig: No
Arch Code: 02-Movable Electrical	ADA: No
Critical Path: No	Antimicrobial: No
Type: Medical	Green: No
Furnish Install: Owner / Owner	

Physical Requirements

Width (in.): 8.0000	Left (in.): N/A
Depth (in.): 6.0000	Right (in.): N/A
Height (in.): 9.5000	Front (in.): N/A
Product Weight (lbs): 11.5000	Back (in.): N/A
Max Operating Weight (lbs):	Top (in.): N/A
Mounting: Counter/Cart/Table/Pole	Bottom (in.): N/A
Specification notes:	

Structural Requirements

Seismic: No	OPA #:
	Pre-Approval:
Structural notes:	

Technology Requirements

Patient Data: No	Network:
Connection Type: N/A	System:
Technical Connection notes:	

Electrical Requirements

Volts: 120	Watts: 264.0000
Hz: 60	Amps: 2.2000
KVA:	Circuit: No
UPS: N/A	Plug Type: Type B (Nema 5-15)
Emerg. Power: No	Plug Detail:
Other Volts Avail.: Yes	Electrical Phase: Single Phase
BTU/hr: N/A	
Electrical notes:	

Utility Requirements

Water - Cold: No	Gas Type:
Water - Hot: No	Gas Location:
Water - Treated: No	Medical Gas: No
Drain: No	Vent Type:
Drain Location:	Heat Dissipation: N/A
Steam: No	Dissipation Type: Actual
Vacuum - Den. / Med.: No/No	
Plumbing notes:	
Mechanical notes:	

Locations

Level	Arch Dept	Room	Room #	Status	Item Qty	Ext Total Config
Level 7	Patient Care Support	Equipment Storage (West)	7822	New	1	\$21,500.00

Total: 1

MRidium[®] 3860+

The World's Leader in MRI IV Infusion Systems

The MRidium[®] 3860+ MRI IV Infusion System meets the demanding clinical needs of today's patient's, by allowing the continuous delivery of fluids and medication within the MRI Suite.

Safely, Accurately and Reliably preserve the **'Continuity of Care'** for patients requiring continuous or intermittent infusions throughout their MRI care cycle.



MRidium[®] 3860+ MRI IV INFUSION SYSTEM



Designed for Today's MRI Environment

The MRidium[®] 3860+ and its ability to infuse medications in the MRI room extends the same quality of bedside care experienced in other areas of the hospital right into the MRI suite.

The MRidium[®] 3860+ helps replace 'work around' solutions like running long lines from conventional pumps through a sealed MRI door or wave guide. The 'work around' practice of placing long lines from outside the MRI control room may lead to questionable flow rates and alarm delays due to line occlusions, increased infection rates and costly medication waste.

Quality You Can Trust

IRadimed is a leader in MRI patient care with vast experience in MRI products. Our founder is the pioneering developer of the world's first and best selling MRI compatible patient vital signs monitoring system.

Features

- Intuitive Smart IV Pump technology reduces input errors
- Placement up to the 10,000 Gauss Line on a 3T Scanner
- DERS Dose Error Reduction System with custom drug library reduces medication errors
- Optional MasimoSET[®] SpO₂ patient monitoring
- Infusion Range of 0.1 to 1400 mL/hr
- Easily expandable to a second channel with add-on 3861 Sidecar module
- Long life battery provides >12 hours of operation at 125 mL/hr
- Delivery via Syringe, Bag or Bottle



MRidium® 3865 Wireless Remote Control

Titration of medications is now easily done from within the control room with the MRidium® 3865 Wireless Remote Display. The Wireless Remote eliminates the delays caused by stopping a crucial scan just to review, titrate or deliver a bolus. The MRidium® 3865 is a valuable tool to help decrease the amount of time a patient spends in the MR scanner which may lead to improved throughput and care.

...Titrate on the fly!

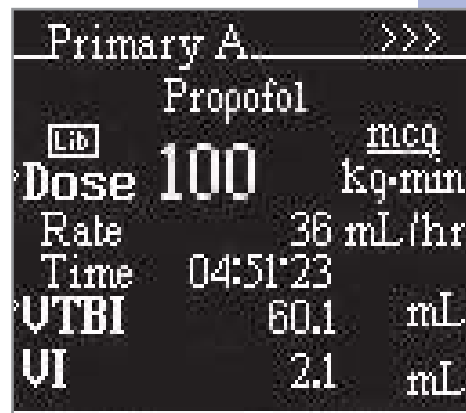
DERS 'Dose Error Reduction System'

The MRidium® 3860+ **'Dose Error Reduction System'** provides a comprehensive safety solution at the patient's 'point of care'.

Designed to reduce infusion errors, the DERS custom drug library enhances the quality of patient care, maintains compliance with National Safety Standards and provides potential cost savings.

Clinically approved and validated by your pharmacy, the DERS custom drug library with its pre-programmed hard and soft 'SafeGuards' helps prevent infusion errors by defining clinically acceptable dosing ranges.

...Taking the 'guess work' out of Critical Dosing.



MRidium® 3861 Sidecar Channel

The 3861 Sidecar Channel is the ideal option to help critical patients get their needed MRI procedure. The MRidium® 3860+ with the additional 3861 Sidecar Channel offers a unique and effective way to deliver multiple IV fluids, safely and accurately, next to the MRI system.

...Critical patients? No Problem!

MasimoSET® SpO₂ Monitoring

The MRI patient workflow just got a little more efficient with the MasimoSET® SpO₂ monitoring option. Having the SpO₂ option for a second point of reference helps ensure that complex MRI cases with unforeseen difficulties can be completed. The MasimoSET® SpO₂ option also enhances the patient workflow by providing continuous monitoring while the patient is transported throughout the entire MRI care cycle.

...One less thing to worry about!

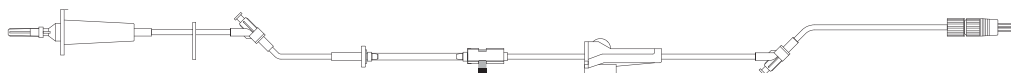
MasimoSET®



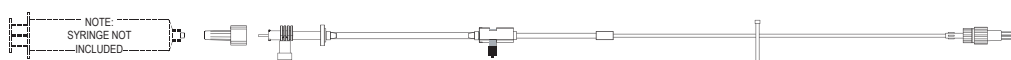
MRidium[®] 3860+ MRI IV INFUSION SYSTEM

Disposable IV Infusion Sets To Order Call 866.677.8022

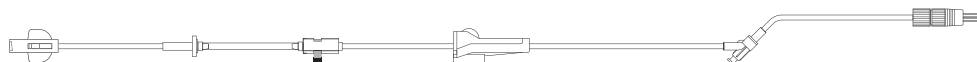
Spike Infusion Set, Part Number 1056
Latex Free Infusion Set with Spike and two needle free injection ports



Vented Syringe Set, Part Number 1057
Latex Free Vented Syringe Set, Microbore 4mL Prime Volume



Extension Set, Part Number 1058
Latex Free Extension Set with one needle free injection port



We're on the web!
www.iradimed.com



Specifications

VOLUMETRIC INFUSION PUMP / MONITOR

ELECTRICAL CHARACTERISTICS

HI/LO Line Voltage Requirements	100 to 240 VAC +/-10%, 50/60 Hz
Power Sources Available	Internal battery power with separate AC charger/power supply
Power Consumption	< 18 Volt-Amperes @ 120 VAC nominal at 125 mL/hr (<100 VA maximum during charging)
Battery Type	Rechargeable Lithium Polymer Pack, 14.8 v at 5.8 Ah
Battery Capacity	> 12 Hours at ≤ 125 mL/hr Rate
Battery Charge Time	< 9 hours to 95% capacity
Battery Cycle Life	> 200 charge/discharge cycles
Leakage Current	< 20 μA RMS (Patient), < 300 μA RMS (Chassis)
Impedance, Chassis to Earth Ground	< 0.1 ohms (with power supply)

MECHANICAL CHARACTERISTICS

Dimensions D x W x H,	6 x 8 x 9.5 inches (15.25 x 20.3 x 24.1 cm),
Total Weight	11.5 lbs. (5.2 Kg) with battery
Temperature Range	+10° to +44° C (Operating), -40° to +70° C
Relative Humidity Range	0% to 80% RH, non-condensing
Pole Clamp Mounting (Diameter) Range	1.0 to 1.5 inch (25 to 38 mm) diameter

PERFORMANCE CHARACTERISTICS INFUSION PUMP PERFORMANCE

Flow Rate Range	0.1 to 1400 mL/hr 0.1 to 99.9 mL/hr in 0.1 mL/hr increments, 100 to 1400 mL/hr in 1 mL increments
Flow Rate Display Range	0.1 to 99.9, 100 to 1400 mL/hr
Flow Rate Accuracy	+/-10% (0.1 to 0.9 mL/Hr), +/-5% (1 to 1400 mL/Hr)
Volume To Be Infused (VTBI) Range	0.1 to 999 mL
Total Volume Infused (VI) Range	0.1 to 9,999 mL in 0.1 mL increments
Keep Vein Open (KVO) Rate Range	Adjustable, 1 to 5 mL/hr, or Set Rate, whichever is less
Downstream (proximal) Occlusion	1 to 10 psi, user-adjustable, +/- 10% Detection Range
Occlusion Detection (no flow) Time	Typically < 30 sec, dependent on selected Flow Rate

PERFORMANCE CHARACTERISTICS INFUSION PUMP PERFORMANCE

Inlet Pressure Detector	Detects inlet side occlusions
Air-in-Line Detection Method	Ultrasonic bubble detector, > 100 μL
MRI Performance	
MRI Magnet Compatibility	0.2 to 3.0 Tesla MRI Systems
Magnetic Field Limit	10,000 Gauss line (1T magnetic field line) – Minimal ferrous material used inside Pump (<15 grams); non-magnetic motor used inside Pump
Compliance with Standards	IEC 60601-1-1, IEC 60601-1-2, IEC 60601-2-24, ISO 9919, AAMI ID 26, UL60601

PERFORMANCE CHARACTERISTICS PULSE OXIMETER

Sensor Type	Fiberoptic MRI SpO2 sensor with no RF conductive components
Sensor Length	90 inches (2.3 m)
Accuracy	70 – 99 % SpO2 +/- 3 digits Adult/Pediatric/Infant, Heart Rate +/- 3 BPM (no motion)
Display Ranges	Pulse Oximeter: 70 - 99 % SpO2, Heart Rate: 40-240 BPM

IRADIMED[®]
CORPORATION

1025 Willa Springs Drive
Winter Springs, FL 32708
407.677.8022
866.677.8022 Toll Free
www.iradimed.com



©Iradimed Corporation 2015
All rights reserved

0843
LB003 Rev. C



Model: Alaris Pump Module (8100)
Category: Pump, Infusion
Subcategory: Single
Manufacturer: BD - Becton, Dickinson and Company
Catalog #: 8100

Atta 3 ID: INF-B55D1

Single infusion pump. Attaches to Alaris PC unit. Set-based free-flow protection; displays drug, dose and rate information; indicators display channel status. Flow rate range: 0.1-999 mL/h. KVO rate can be set from 0.1-20mL/h in 0.1 mL/h increments.

General Production Detail

Arch Sig: No	Spatial Sig: No
Arch Code: 03-Movable Non-Electrical *	ADA: No
Critical Path: No	Antimicrobial: No
Type: Medical	Green: No
Furnish Install: Owner / Owner	

Physical Requirements

Width (in.): 3.3000	Left (in.): N/A
Depth (in.): 5.5000	Right (in.): N/A
Height (in.): 8.9000	Front (in.): N/A
Product Weight (lbs): 2.5000	Back (in.): N/A
Max Operating Weight (lbs):	Top (in.): N/A
Mounting: Counter/Cart/Table/Pole	Bottom (in.): N/A
Specification notes:	

Structural Requirements

Seismic: No	OPA #:
	Pre-Approval:
Structural notes:	

Technology Requirements

Patient Data: No	Network:
Connection Type: N/A	System:
Technical Connection notes:	

Electrical Requirements

Volts:	Watts: N/A
Hz: N/A	Amps: N/A
KVA:	Circuit: No
UPS: N/A	Plug Type: N/A
Emerg. Power: No	Plug Detail:
Other Volts Avail.: No	Electrical Phase: N/A
BTU/hr: N/A	
Electrical notes:	

Utility Requirements

Water - Cold: No	Gas Type:
Water - Hot: No	Gas Location:
Water - Treated: No	Medical Gas: No
Drain: No	Vent Type:
Drain Location:	Heat Dissipation: N/A
Steam: No	Dissipation Type: Actual
Vacuum - Den. / Med.: No/No	
Plumbing notes:	
Mechanical notes:	

Locations

Level	Arch Dept	Room	Room #	Status	Item Qty	Ext Total Config
Level 7	Progressive Care	Progressive Care	701, 702, 703, 704, 705, 706, 707, 708, 709, 710, 711, 712	New	4	\$72,127.20

Total: 48



Model: Alaris Pump Module (8100)
Category: Pump, Infusion
Subcategory: Single
Manufacturer: BD - Becton, Dickinson and Company
Catalog #: 8100

Atta 3 ID: INF-B55D1

Single infusion pump. Attaches to Alaris PC unit. Set-based free-flow protection; displays drug, dose and rate information; indicators display channel status. Flow rate range: 0.1-999 mL/h. KVO rate can be set from 0.1-20mL/h in 0.1 mL/h increments.

General Production Detail

Arch Sig: No	Spatial Sig: No
Arch Code: 02-Movable Electrical *	ADA: No
Critical Path: No	Antimicrobial: No
Type: Medical	Green: No
Furnish Install: Owner / Owner	

Physical Requirements

Width (in.): 3.3000	Left (in.): N/A
Depth (in.): 5.5000	Right (in.): N/A
Height (in.): 8.9000	Front (in.): N/A
Product Weight (lbs): 2.5000	Back (in.): N/A
Max Operating Weight (lbs):	Top (in.): N/A
Mounting: Counter/Cart/Table/Pole	Bottom (in.): N/A
Specification notes:	

Structural Requirements

Seismic: No	OPA #:
	Pre-Approval:
Structural notes:	

Technology Requirements

Patient Data: No	Network:
Connection Type: N/A	System:
Technical Connection notes:	

Electrical Requirements

Volts:	Watts: N/A
Hz: N/A	Amps: N/A
KVA:	Circuit: No
UPS: N/A	Plug Type: N/A
Emerg. Power: No	Plug Detail:
Other Volts Avail.: No	Electrical Phase: N/A
BTU/hr: N/A	
Electrical notes:	

Utility Requirements

Water - Cold: No	Gas Type:
Water - Hot: No	Gas Location:
Water - Treated: No	Medical Gas: No
Drain: No	Vent Type:
Drain Location:	Heat Dissipation: N/A
Steam: No	Dissipation Type: Actual
Vacuum - Den. / Med.: No/No	
Plumbing notes:	
Mechanical notes:	

Locations

Level	Arch Dept	Room	Room #	Status	Item Qty	Ext Total Config
Level 7	Critical Care	Critical Care - Patient of Size	720	New	4	\$6,010.60
Level 7	Critical Care	Critical Care	718, 719, 722, 723, 724, 725, 726, 727, 728, 729, 730, 731, 732, 733, 734	New	4	\$90,159.00
Level 7	Critical Care	Critical Care - Isolation	714, 715, 716, 717	New	4	\$24,042.40

Total: 80



Alaris® Pump module



Safety and convenience

The Alaris® Pump module is intended for facilities that utilize infusion for the delivery of fluids, medications, blood and blood products using continuous or intermittent delivery through clinically acceptable routes of administration (e.g., intravenous, intra-arterial, subcutaneous, epidural, enteral or irrigation of fluid spaces).

The Alaris® Pump module is indicated for use on adults, pediatrics and neonates with its dedicated disposable sets.

The Alaris® Pump module offers:

- Set-based, free-flow protection
- An LCD that displays drug, dose and rate information
- Indicators displaying channel status
- Clinically acceptable routes of administration

See next page for module specifications.

Pump Module

Accumulated Air Window:	<u>Single Bolus Setting</u>	<u>Volume Window (mL)</u>	<u>% Air that Causes Alarm</u>
	50	2.8	10%
	75	8.0	20%
	250	8.0	30%
	*500	12.0	30%

* In Anesthesia Mode only.

Bolus Volume, Maximum	<u>Pressure Limit (mmHg)</u>	<u>Rate (mL/h)</u>	<u>Bolus Volume (mL)</u>
	50	25	≤0.3
	525	25	≤0.6

Critical Volume: The maximum over-infusion which can occur in the event of a single fault condition is 0.6 mL.

Dimensions: 3.3" W x 8.9" H x 5.5" D

Environmental Conditions:	<u>Operating</u>	<u>Storage/Transport</u>
Atmospheric Pressure:	525 - 4560 mmHg (700 - 6080 hPa)	375 - 760 mmHg (500 - 1013 hPa)
Relative Humidity: (Avoid prolonged exposure to relative humidity >85%)	20 - 90% Noncondensing	5 - 85% Noncondensing
Temperature Range:	41 - 104° F (5 - 40° C)	-4 - 140° F (-20 - 60° C)

Equipment Orientation: To ensure proper operation, Alaris® System must remain in an upright position.

Flow Rate Programming

Increments:	<u>Rate Range (mL/h)</u>	<u>Increments (mL/h)</u>	
		<u>User Input Rates</u>	<u>Device Calculated Rates</u>
	0.1 - 9.99	0.1	0.01
	10 - 99.9	0.1	0.1
	100 - 999	1	1

Fluid Ingress Protection: IPX1, Drip Proof

Infusion of Air, Means to Protect Patient from:

Ultrasonic Air-in-Line Detection
Maximum single bolus size = selectable 50, 75 or 250 microliters nominal (500 microliters in Anesthesia Mode)

Infusion Pressure, Maximum:

654 mmHg (Maximum Occlusion Alarm Threshold plus tolerance)

KVO (Keep Vein Open)

Rate: Factory Default Setting is 1 mL/h if set rate is 1 mL/h or above; or set rate, if rate is 0.9 mL/h or below.

KVO Selection Range: KVO rate can be set in System Configuration from 0.1 - 20 mL/h in 0.1 mL/h increments.

Occlusion Alarm Thresholds:

Pump Mode: 525 mmHg at rates ≥ 30 mL/h
Varying level based on rate and patient back-pressure at rates < 30 mL/h.

Selectable Mode: User selected, 50 - 525 mmHg in 25 mmHg increments.

Operating Principle: Positive displacement

Rate Accuracy: Rate accuracy of Alaris[®] System is $\pm 5\%$ at rates between 1 and 999 mL/h and $\pm 5.5\%$ at rates < 1 mL/h, 95% of the time with 95% confidence, under conditions listed below.

Infusion Rate Range: 0.1 - 999 mL/h
Ambient Temperature: $68 \pm 4^\circ$ F ($20 \pm 2^\circ$ C)
Source Container Height: 20 inches above top of Pump Module
Test Solution: Distilled Water
Distal Back pressure: 0 mmHg (0 kPa)
Needle: 18 gauge
Administration Set Model: 2210

Shock Protection: Type CF, Defibrillator Proof

Time to Alarm, Maximum:	<u>Pressure Limit (mmHg)</u>	<u>Rate (mL/h)</u>	<u>Time to Alarm</u>
	50	1	≤ 5 minutes
	50	25	≤ 15 seconds
	525	1	≤ 45 minutes
	525	25	≤ 2 minutes

Volume to be Infused Programming Increments:	<u>Range (mL)</u>	<u>Increments (mL)</u>
	0.1 - 9.99	0.01
	10 - 999.9	0.1
	1000 - 9999	1

Weight: 2.5 lbs

WARNING

Variations of head height, back pressure or any combination of these **may affect rate accuracy**. Factors that can influence head height and back pressure are: Administration set configuration, IV solution viscosity and IV solution temperature. Back pressure may also be affected by type of catheter. Reference "Trumpet and Start-Up Curves" for data on how these factors influence rate accuracy.



Model: 1099 (5-leg, 4 hook)
Category: Stand, IV
Subcategory: Chrome
Manufacturer: Mid Central Medical - Steelcraft
Catalog #: 1099

Atta 3 ID: IVS-E2047

Chrome IV stand. 22" diameter 5-leg cast base, 4 hook ram horn solution holder, height range 70"-110", 3" roller blade casters.

General Production Detail

Arch Sig: No	Spatial Sig: No
Arch Code: 03-Movable Non-Electrical	ADA: No
Critical Path: No	Antimicrobial: No
Type: Medical	Green: No
Furnish Install: Owner / Owner	

Physical Requirements

Width (in.): 22.0000	Left (in.): N/A
Depth (in.): 22.0000	Right (in.): N/A
Height (in.): 110.0000	Front (in.): N/A
Product Weight (lbs): 34.0000	Back (in.): N/A
Max Operating Weight (lbs):	Top (in.): N/A
Mounting: Floor - Mobile	Bottom (in.): N/A
Specification notes:	

Structural Requirements

Seismic: No	OPA #:
	Pre-Approval:
Structural notes:	

Technology Requirements

Patient Data: No	Network:
Connection Type: N/A	System:
Technical Connection notes:	

Electrical Requirements

Volts:	Watts: N/A
Hz: N/A	Amps: N/A
KVA:	Circuit: No
UPS: N/A	Plug Type: N/A
Emerg. Power: No	Plug Detail:
Other Volts Avail.: No	Electrical Phase: N/A
BTU/hr: N/A	
Electrical notes:	

Utility Requirements

Water - Cold: No	Gas Type:
Water - Hot: No	Gas Location:
Water - Treated: No	Medical Gas: No
Drain: No	Vent Type:
Drain Location:	Heat Dissipation: N/A
Steam: No	Dissipation Type: Actual
Vacuum - Den. / Med.: No/No	
Plumbing notes:	
Mechanical notes:	

Locations

Level	Arch Dept	Room	Room #	Status	Item Qty	Ext Total Config
Level 7	Critical Care	Critical Care - Isolation	714, 715, 716, 717	New	2	\$2,920.00
Level 7	Critical Care	Critical Care	718, 719, 722, 723, 724, 725, 726, 727, 728, 729, 730, 731, 732, 733, 734	New	2	\$10,950.00
Level 7	Patient Care Support	Equipment Storage (East)	7501	New	2	\$730.00
Level 7	Patient Care Support	Equipment Storage (West)	7822	New	3	\$1,095.00

Level	Arch Dept	Room	Room #	Status	Item Qty	Ext Total Config
Level 7	Progressive Care	Progressive Care	701, 702, 703, 704, 705, 706, 707, 708, 709, 710, 711, 712	New	4	\$17,520.00
Level 7	Critical Care	Critical Care - Patient of Size	720	New	4	\$1,460.00

Total: 95

STANDS

FOR THE FIRST TIME IN OUR 63 YEAR HISTORY, **WE ARE OFFERING OUR PRODUCT LINE DIRECT!** NO MIDDLEMAN, JUST QUALITY AND MAXIMUM SAVINGS TO YOUR FACILITY.



#2006

The #2006 is the classic single pump IV stand. All steel double chrome plate construction ensures long term reliability in the hospital environment.

- 23" diameter, all steel five-point base with Nickel Chrome Plate Finish
- 3" premium roller blade casters
- Double chrome plated 1" to 7/8" telescoping upright with posi-lock coupling to eliminate slippage.
- Four hook ram's horn type solution holder
- Height Range 68" to 108"
- Weight: 20 lbs



#1099

The #1099 is a small foot print Heavy Duty IV stand designed to support multiple pumps.

- 22" diameter, low center of gravity castbase
- 3" premium roller blade casters
- Double chrome plated 1.25" to 1" telescoping upright with posi-lock coupling to eliminate slippage
- Four hook ram's horn type solution holder
- Height Range 70" to 110"
- Weight: 34 lbs
- Base and pole shipped in separate boxes



#3099

The #3099 is a low center of gravity Heavy Duty IV stand appropriate for Multiple pumps on its twin uprights.

- 22" diameter, low center of gravity cast base
- 3" premium roller blade casters
- Dual double chrome plated 1.25" to 1" telescoping upright with posi-lock coupling to eliminate slippage.
- Dual four hook ram's horn type solution holders
- Height Range 85" to 110"
- Weight: 40 lbs - Base and pole shipped in separate boxes



Model: Duster: 12 1/4 in Head Lg, 7 in Head Wd, White, Flex Handle
Category: Janitorial
Subcategory: Supplies
Manufacturer: Grainger
Catalog #: 3HKC3 / FGQ85200WH00

Atta 3 ID: JAN-046E3

General Production Detail

Arch Sig: No	Spatial Sig: No
Arch Code: 04-Instruments	ADA:
Critical Path: No	Antimicrobial:
Type: Non-Medical	Green:
Furnish Install: Unassigned / Unassigned	

Physical Requirements

Width (in.): 7.0000	Left (in.): N/A
Depth (in.):	Right (in.): N/A
Height (in.):	Front (in.): N/A
Product Weight (lbs):	Back (in.): N/A
Max Operating Weight (lbs):	Top (in.): N/A
Mounting:	Bottom (in.): N/A
Specification notes:	

Structural Requirements

Seismic:	OPA #:
	Pre-Approval:
Structural notes:	

Technology Requirements

Patient Data: N/A	Network: N/A
Connection Type: N/A	System: N/A
Technical Connection notes:	

Electrical Requirements

Volts: N/A	Watts: N/A
Hz: N/A	Amps: N/A
KVA:	Circuit:
UPS: N/A	Plug Type:
Emerg. Power: No	Plug Detail:
Other Volts Avail.:	Electrical Phase:
BTU/hr: N/A	
Electrical notes:	

Utility Requirements

Water - Cold:	Gas Type: N/A
Water - Hot:	Gas Location:
Water - Treated:	Medical Gas:
Drain:	Vent Type:
Drain Location:	Heat Dissipation: N/A
Steam:	Dissipation Type:
Vacuum - Den. / Med.: /	
Plumbing notes:	
Mechanical notes:	

Locations

Level	Arch Dept	Room	Room #	Status	Item Qty	Ext Total Config
Level 7	Family Waiting	EVS	7606	New	2	\$92.60

Total: 2

Model: Impact® Microfiber Looped Wet Mop - 18"
Category: Janitorial
Subcategory: Supplies
Manufacturer: Ft. Smith Paper Co.
Catalog #: 3192000-EA / LF0012

Atta 3 ID: JAN-1D4F2



General Production Detail

Arch Sig: No	Spatial Sig: No
Arch Code: 04-Instruments	ADA:
Critical Path: No	Antimicrobial:
Type: Non-Medical	Green:
Furnish Install: Unassigned / Unassigned	

Physical Requirements

Width (in.): 18.0000	Left (in.): N/A
Depth (in.):	Right (in.): N/A
Height (in.):	Front (in.): N/A
Product Weight (lbs):	Back (in.): N/A
Max Operating Weight (lbs):	Top (in.): N/A
Mounting:	Bottom (in.): N/A
Specification notes:	

Structural Requirements

Seismic:	OPA #:
	Pre-Approval:
Structural notes:	

Technology Requirements

Patient Data: N/A	Network: N/A
Connection Type: N/A	System: N/A
Technical Connection notes:	

Electrical Requirements

Volts: N/A	Watts: N/A
Hz: N/A	Amps: N/A
KVA:	Circuit:
UPS: N/A	Plug Type:
Emerg. Power: No	Plug Detail:
Other Volts Avail.:	Electrical Phase:
BTU/hr: N/A	
Electrical notes:	

Utility Requirements

Water - Cold:	Gas Type: N/A
Water - Hot:	Gas Location:
Water - Treated:	Medical Gas:
Drain:	Vent Type:
Drain Location:	Heat Dissipation: N/A
Steam:	Dissipation Type:
Vacuum - Den. / Med.: /	
Plumbing notes:	
Mechanical notes:	

Locations

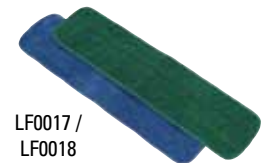
Level	Arch Dept	Room	Room #	Status	Item Qty	Ext Total Config
Level 7	Family Waiting	EVS	7606	New	4	\$2,764.80

Total: 4

Microfiber Looped Wet Mops

- low abrasive wet pads for general use
- no foam inner layer, only additional layers of microfiber for greater absorbency
- as durable as any microfiber on the market
- available in blue and green in 18" and 24" lengths

Item	Description	Color	Size	Packaging
LF0011	Looped Wet Mop	blue	18"	12/bg.; 10 bg/mstr. 
LF0017	Looped Wet Mop	blue	24"	12/bg.; 10 bg/mstr. 
LF0012	Looped Wet Mop	green	18"	12/bg.; 10 bg/mstr. 
LF0018	Looped Wet Mop	green	24"	12/bg.; 10 bg/mstr. 



LF0017 / LF0018

Microfiber Disposable Pads

- disposable microfiber pads are perfect for those customers wanting to use microfiber, but not having laundry access
- excellent for anyone simply wanting to implement an effective disposable cleaning system
- work great wet or dry
- available in 18" length

Item	Description	Color	Size	Packaging
DISP18	Disposable Pad	white	18"	50/pk.; 10 pk/mstr. 



DISP18

Microfiber White Loop Mop

- thick looped wet mop for heavy soils
- versatile mop can be used for dry dusting, wet mopping and wall washing
- large loops for larger soil capacity

Item	Description	Color	Size	Packaging
3177	Loop Mop	white	5" W x 18" L	12/bg.; 10 bg/mstr. 

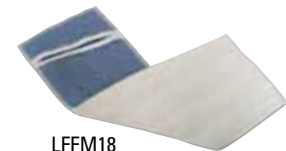


3177

Microfiber Finish Pad with Mesh Back

- looped end microfiber for better release of finish
- two layers of Microfiber for better absorption
- mesh backing allows finish to soak into pad from top to bottom preventing puddling
- fits standard 5"x18" wire dust mop frame

Item	Description	Color	Size	Packaging
LFFM18	Mesh Back Finish Mop	white	18"	12/bg.; 10 bg/mstr. 



LFFM18

Color Coded

Flat mops are available with blue, red or green banding for color-coding to prevent cross-contamination and simplify the cleaning process. Each pad can be quickly and easily identified according to procedure, room, or area.

Microfiber Trapezoid Finish Pad

- looped end microfiber for better release of finish
- two layers of microfiber for better absorption
- Velcro® backed
- designed to fit holders of the bucketless handle system
- available in 4.5"x16" and 4.5"x22"

Item	Description	Color	Size	Packaging
LFFV18	Trapezoid Finish Mop	white	18" (fits 16" base)	12/bg.; 10 bg/mstr. 
LFFV24	Trapezoid Finish Mop	white	24" (fits 22" base)	12/bg.; 10 bg/mstr. 

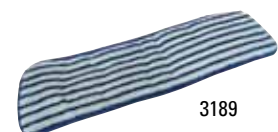


LFFV18 / LFFV24

Microfiber Flat Finish Mop

- trapezoid shape for easy application in corners
- blue microfiber strips are more rigid and help smooth finish
- top quality hook & loop backing
- microfiber specially designed to hold and release finish for even coat

Item	Description	Color	Size	Packaging
3189	Flat Finish Mop	blue/white	5" x 18"	12/bg.; 10 bg/mstr. 



3189

Model: Pad Holder: Push In Connection
Category: Janitorial
Subcategory: Supplies
Manufacturer: Grainger
Catalog #: 5MU91 / FGQ58000YL00

Atta 3 ID: JAN-4B25E



General Production Detail

Arch Sig: No	Spatial Sig: No
Arch Code: 04-Instruments	ADA:
Critical Path: No	Antimicrobial:
Type: Non-Medical	Green:
Furnish Install: Unassigned / Unassigned	

Physical Requirements

Width (in.): 35.0000	Left (in.): N/A
Depth (in.): 3.0000	Right (in.): N/A
Height (in.):	Front (in.): N/A
Product Weight (lbs):	Back (in.): N/A
Max Operating Weight (lbs):	Top (in.): N/A
Mounting:	Bottom (in.): N/A
Specification notes:	

Structural Requirements

Seismic:	OPA #:
	Pre-Approval:
Structural notes:	

Technology Requirements

Patient Data: N/A	Network: N/A
Connection Type: N/A	System: N/A
Technical Connection notes:	

Electrical Requirements

Volts: N/A	Watts: N/A
Hz: N/A	Amps: N/A
KVA:	Circuit:
UPS: N/A	Plug Type:
Emerg. Power: No	Plug Detail:
Other Volts Avail.:	Electrical Phase:
BTU/hr: N/A	
Electrical notes:	

Utility Requirements

Water - Cold:	Gas Type: N/A
Water - Hot:	Gas Location:
Water - Treated:	Medical Gas:
Drain:	Vent Type:
Drain Location:	Heat Dissipation: N/A
Steam:	Dissipation Type:
Vacuum - Den. / Med.: /	
Plumbing notes:	
Mechanical notes:	

Locations

Level	Arch Dept	Room	Room #	Status	Item Qty	Ext Total Config
Level 7	Family Waiting	EVS	7606	New	1	\$40.71

Total: 1

Model: Telescopic Handle: Yellow, Aluminum, Std
Category: Janitorial
Subcategory: Supplies
Manufacturer: Rubbermaid Commercial Products
Catalog #: 48GP70 / FGQ75500YL00

Atta 3 ID: JAN-8AA0A



General Production Detail

Arch Sig: No	Spatial Sig: No
Arch Code: 04-Instruments	ADA:
Critical Path: No	Antimicrobial:
Type: Non-Medical	Green:
Furnish Install: Unassigned / Unassigned	

Physical Requirements

Width (in.):	Left (in.): N/A
Depth (in.):	Right (in.): N/A
Height (in.): 48.0000	Front (in.): N/A
Product Weight (lbs):	Back (in.): N/A
Max Operating Weight (lbs):	Top (in.): N/A
Mounting:	Bottom (in.): N/A
Specification notes:	

Structural Requirements

Seismic:	OPA #:
	Pre-Approval:
Structural notes:	

Technology Requirements

Patient Data: N/A	Network: N/A
Connection Type: N/A	System: N/A
Technical Connection notes:	

Electrical Requirements

Volts: N/A	Watts: N/A
Hz: N/A	Amps: N/A
KVA:	Circuit:
UPS: N/A	Plug Type:
Emerg. Power: No	Plug Detail:
Other Volts Avail.:	Electrical Phase:
BTU/hr: N/A	
Electrical notes:	

Utility Requirements

Water - Cold:	Gas Type: N/A
Water - Hot:	Gas Location:
Water - Treated:	Medical Gas:
Drain:	Vent Type:
Drain Location:	Heat Dissipation: N/A
Steam:	Dissipation Type:
Vacuum - Den. / Med.: /	
Plumbing notes:	
Mechanical notes:	

Locations

Level	Arch Dept	Room	Room #	Status	Item Qty	Ext Total Config
Level 7	Family Waiting	EVS	7606	New	2	\$61.18

Total: 2

Model: Pad Holder: Push In Connection
Category: Janitorial
Subcategory: Supplies
Manufacturer: Rubbermaid Commercial Products
Catalog #: 5MU87 / FGQ56000YL00

Atta 3 ID: JAN-B240B



General Production Detail

Arch Sig: No	Spatial Sig: No
Arch Code: 04-Instruments	ADA:
Critical Path: No	Antimicrobial:
Type: Non-Medical	Green:
Furnish Install: Unassigned / Unassigned	

Physical Requirements

Width (in.): 17.0000	Left (in.): N/A
Depth (in.): 3.0000	Right (in.): N/A
Height (in.):	Front (in.): N/A
Product Weight (lbs):	Back (in.): N/A
Max Operating Weight (lbs):	Top (in.): N/A
Mounting:	Bottom (in.): N/A
Specification notes:	

Structural Requirements

Seismic:	OPA #:
	Pre-Approval:
Structural notes:	

Technology Requirements

Patient Data: N/A	Network: N/A
Connection Type: N/A	System: N/A
Technical Connection notes:	

Electrical Requirements

Volts: N/A	Watts: N/A
Hz: N/A	Amps: N/A
KVA:	Circuit:
UPS: N/A	Plug Type:
Emerg. Power: No	Plug Detail:
Other Volts Avail.:	Electrical Phase:
BTU/hr: N/A	
Electrical notes:	

Utility Requirements

Water - Cold:	Gas Type: N/A
Water - Hot:	Gas Location:
Water - Treated:	Medical Gas:
Drain:	Vent Type:
Drain Location:	Heat Dissipation: N/A
Steam:	Dissipation Type:
Vacuum - Den. / Med.: /	
Plumbing notes:	
Mechanical notes:	

Locations

Level	Arch Dept	Room	Room #	Status	Item Qty	Ext Total Config
Level 7	Family Waiting	EVS	7606	New	2	\$31.56

Total: 2



Model: UNGER Window Cleaning Kit: Nylon, Microfiber
Category: Janitorial
Subcategory: Supplies
Manufacturer: Grainger
Catalog #: 13R147 / 16969

Atta 3 ID: JAN-BF72C

General Production Detail

Arch Sig: No	Spatial Sig: No
Arch Code: 04-Instruments	ADA:
Critical Path: No	Antimicrobial:
Type: Non-Medical	Green:
Furnish Install: Unassigned / Unassigned	

Physical Requirements

Width (in.):	Left (in.): N/A
Depth (in.):	Right (in.): N/A
Height (in.):	Front (in.): N/A
Product Weight (lbs):	Back (in.): N/A
Max Operating Weight (lbs):	Top (in.): N/A
Mounting:	Bottom (in.): N/A
Specification notes:	

Structural Requirements

Seismic:	OPA #:
	Pre-Approval:
Structural notes:	

Technology Requirements

Patient Data: N/A	Network: N/A
Connection Type: N/A	System: N/A
Technical Connection notes:	

Electrical Requirements

Volts: N/A	Watts: N/A
Hz: N/A	Amps: N/A
KVA:	Circuit:
UPS: N/A	Plug Type:
Emerg. Power: No	Plug Detail:
Other Volts Avail.:	Electrical Phase:
BTU/hr: N/A	
Electrical notes:	

Utility Requirements

Water - Cold:	Gas Type: N/A
Water - Hot:	Gas Location:
Water - Treated:	Medical Gas:
Drain:	Vent Type:
Drain Location:	Heat Dissipation: N/A
Steam:	Dissipation Type:
Vacuum - Den. / Med.: /	
Plumbing notes:	
Mechanical notes:	

Locations

Level	Arch Dept	Room	Room #	Status	Item Qty	Ext Total Config
Level 7	Family Waiting	EVS	7606	New	1	\$43.95

Total: 1



Model: C-MAC w/MIL #0
Category: Laryngoscope Set
Subcategory: Video
Manufacturer: KARL STORZ Endoscopy
Catalog #: 8403DXC

Atta 3 ID: LAR-5CEBD

Video Laryngoscope with MILLER laryngoscope blade, size 0. Features CMOS technology, C-MAC system interface, documentation of images and video sequences via the BlueButton, for use with C-MAC Connecting Cable 8403 X for C-MAC Monitor 8403 ZXC or C-HUB II 20290301 as well as C-MAC PM 8403 XD.

General Production Detail

Arch Sig: No	Spatial Sig: No
Arch Code: 02-Movable Electrical	ADA: No
Critical Path: No	Antimicrobial: No
Type: Medical	Green: No
Furnish Install: Owner / Owner	

Physical Requirements

Width (in.): 2.7500	Left (in.): N/A
Depth (in.): 7.2500	Right (in.): N/A
Height (in.): 11.7500	Front (in.): N/A
Product Weight (lbs): 1.0000	Back (in.): N/A
Max Operating Weight (lbs):	Top (in.): N/A
Mounting: Special	Bottom (in.): N/A
Specification notes:	

Structural Requirements

Seismic: No	OPA #:
	Pre-Approval:
Structural notes:	

Technology Requirements

Patient Data: No	Network:
Connection Type: N/A	System:
Technical Connection notes:	

Electrical Requirements

Volts:	Watts: N/A
Hz: N/A	Amps: N/A
KVA:	Circuit: No
UPS: N/A	Plug Type: N/A
Emerg. Power: No	Plug Detail:
Other Volts Avail.: No	Electrical Phase: N/A
BTU/hr: N/A	
Electrical notes:	

Utility Requirements

Water - Cold: No	Gas Type:
Water - Hot: No	Gas Location:
Water - Treated: No	Medical Gas: No
Drain: No	Vent Type:
Drain Location:	Heat Dissipation: N/A
Steam: No	Dissipation Type: Actual
Vacuum - Den. / Med.: No/No	
Plumbing notes:	
Mechanical notes:	

Locations

Level	Arch Dept	Room	Room #	Status	Item Qty	Ext Total Config
Level 7	Respiratory Therapy	RT Clean Storage	7719	New	1	\$7,542.00

Total: 1

C-MAC® for Neonatology and Pediatrics The Premium Class for pediatric airway management





8403 DXC

C-MAC® Video Laryngoscope MIL #0,

CMOS technology, with MILLER laryngoscope blade, size 0, with C-MAC® system interface, documentation of images and video sequences via the BlueButton, for use with C-MAC® Connecting Cable 8403 X for C-MAC® Monitor 8403 ZXK or C-HUB® II 20290301 as well as C-MAC® PM 8403 XD



8403 GXC

C-MAC® Video Laryngoscope MIL #1,

CMOS technology, with MILLER laryngoscope blade, size 1, with C-MAC® system interface, documentation of images and video sequences via the BlueButton, for use with C-MAC® Connecting Cable 8403 X for C-MAC® Monitor 8403 ZXK or C-HUB® II 20290301 as well as C-MAC® PM 8403 XD



8403 EXC

C-MAC® Video Laryngoscope MAC #0,

CMOS technology, with MACINTOSH laryngoscope blade, size 0, with C-MAC® system interface, documentation of images and video sequences via the BlueButton, for use with C-MAC® Connecting Cable 8403 X for C-MAC® Monitor 8403 ZXK or C-HUB® II 20290301 as well as C-MAC® PM 8403 XD



8403 KXC

C-MAC® Video Laryngoscope MAC #2,

CMOS technology, with MACINTOSH laryngoscope blade, size 2, with C-MAC® system interface, documentation of images and video sequences via the BlueButton, for use with C-MAC® Connecting Cable 8403 X for C-MAC® Monitor 8403 ZXK or C-HUB® II 20290301 as well as C-MAC® PM 8403 XD



8403 HXP

C-MAC® Pediatric Video Laryngoscope D-BLADE,

CMOS technology, for difficult intubation in children, with C-MAC® system interface, documentation of images and video sequences via the BlueButton, for use with C-MAC® Connecting Cable 8403 X for C-MAC® Monitor 8403 ZXK or C-HUB® II 20290301 as well as C-MAC® PM 8403 XD



Model: SARA Stedy
Category: Lift, Patient
Subcategory: Stand Assist, Manual
Manufacturer: Arjo Inc
Catalog #: NTB2000

Atta 3 ID: LFT-3C505

Standing and raising aid designed to raise and lower semi-dependent residents for transfers and toileting. Features pivoting seat, pedal-operated chassis legs, total-lock casters, non-slip footplate. 400 lb. patient weight capacity.

General Production Detail

Arch Sig: No	Spatial Sig: No
Arch Code: 03-Movable Non-Electrical	ADA: No
Critical Path: No	Antimicrobial: No
Type: Medical	Green: No
Furnish Install: Owner / Owner	

Physical Requirements

Width (in.): 34.6450	Left (in.): N/A
Depth (in.): 36.2200	Right (in.): N/A
Height (in.): 41.3380	Front (in.): N/A
Product Weight (lbs): 64.8200	Back (in.): N/A
Max Operating Weight (lbs):	Top (in.): N/A
Mounting: Floor - Mobile	Bottom (in.): N/A
Specification notes:	

Structural Requirements

Seismic: No	OPA #:
	Pre-Approval:
Structural notes:	

Technology Requirements

Patient Data: No	Network:
Connection Type: N/A	System:
Technical Connection notes:	

Electrical Requirements

Volts:	Watts: N/A
Hz: N/A	Amps: N/A
KVA:	Circuit: No
UPS: N/A	Plug Type: N/A
Emerg. Power: No	Plug Detail:
Other Volts Avail.: No	Electrical Phase: N/A
BTU/hr: N/A	
Electrical notes:	

Utility Requirements

Water - Cold: No	Gas Type:
Water - Hot: No	Gas Location:
Water - Treated: No	Medical Gas: No
Drain: No	Vent Type:
Drain Location:	Heat Dissipation: N/A
Steam: No	Dissipation Type: Actual
Vacuum - Den. / Med.: No/No	
Plumbing notes:	
Mechanical notes:	

Locations

Level	Arch Dept	Room	Room #	Status	Item Qty	Ext Total Config
Level 7	Patient Care Support	Equipment Storage (West)	7822	New	1	\$2,950.00

Total: 1

Sara Stedy Sara Stedy Compact



Technical Specifications

PRODUCT INFORMATION	Sara Stedy and Sara Stedy Compact
Weight, complete Sara Stedy:	29.4kg (64.82lb)
Weight, complete Sara Stedy Compact:	28.3kg (62.5lb)
Lifting capacity	182kg (400lb)
Turning radius	1168 mm (46 in)
Minimum door requirement	630 mm (24.80 in)
Pedal operating force	< 300 N
OPERATION AND STORAGE CONDITIONS	
Ambient temperature range (lift)	Operation: 10 ° to 40 °C (+50 to +104 °F), Storage: -40 ° to 70 °C (-40 to 158 °F)
Relative humidity range	Operation: 30 to 50 %, Storage: 0 to 90% non-condensing
Atmospheric pressure range	Operation: 700 hPa to 1060 hPa, Storage: 500 hPa to 1060 hPa
SAFE DISPOSAL at END of LIFE	
Package	Wood and corrugated cardboard, recyclable.
Product	Components that are primarily be made up of different kinds of metal (containing more than 90% metal by weight) for example sling bars, rails, upright supports, etc., should be recycled as metals.
Slings	Slings including stiffeners/stabilizers, padding material, any other textiles or polymers or plastic materials etc. should be sorted as combustible waste.

Technical Specifications

Lift Dimensions Sara Steady

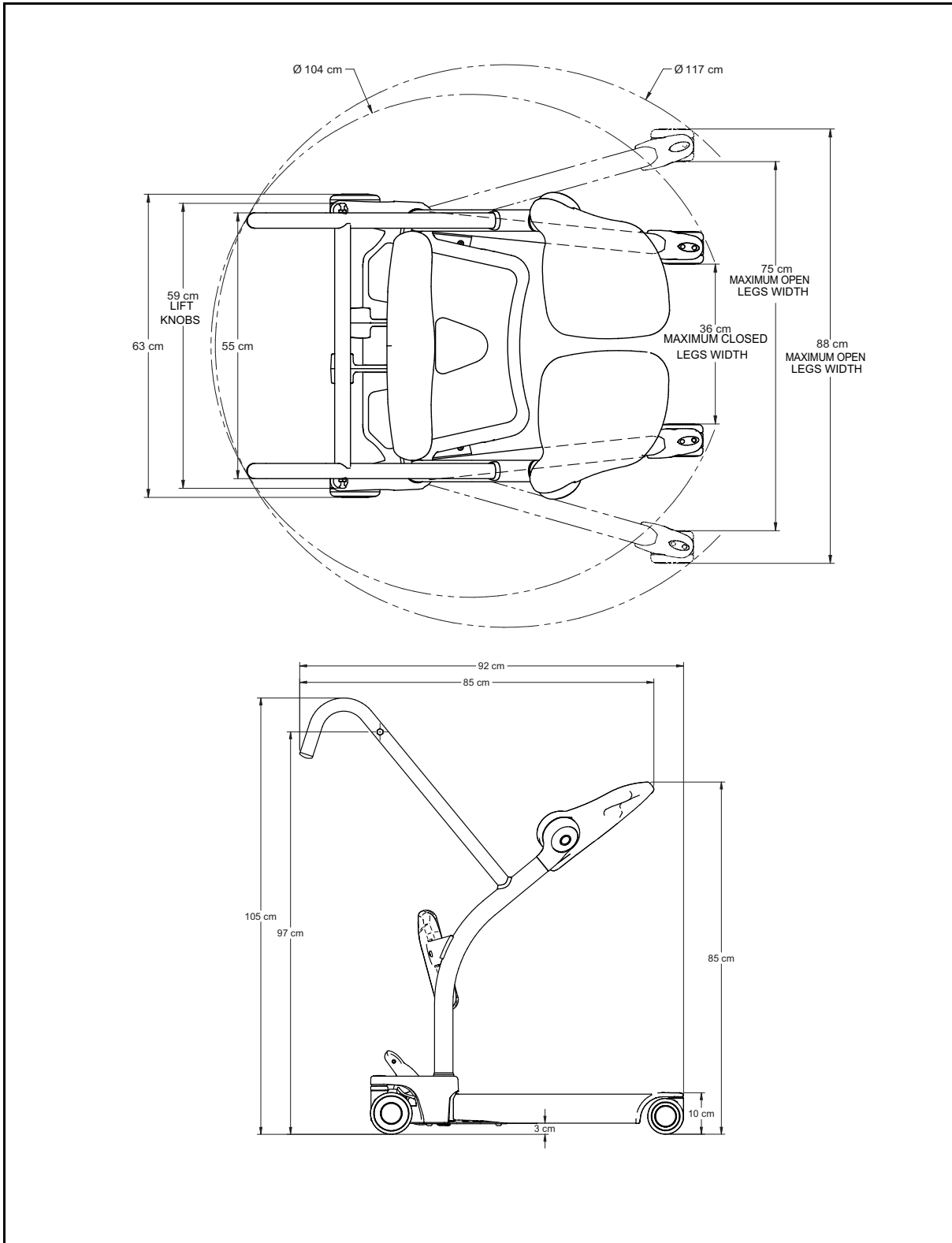


Fig. 20



Model: Maxi Move (w/Scale, Power DPS)
Category: Lift, Patient
Subcategory: Battery Powered
Manufacturer: Arjo Inc
Catalog #: KMCSUN-D

Atta 3 ID: LFT-4B53E

Battery-operated, height-adjustable sling lift. Features: Extra-low castors and integrated scale. Powered DPS (Dynamic Positioning System) spreader bar. 500 lb. working load capacity. Accommodates various sling styles/sizes.

General Production Detail

Arch Sig: No	Spatial Sig: No
Arch Code: 02-Movable Electrical	ADA: No
Critical Path: No	Antimicrobial: No
Type: Medical	Green: No
Furnish Install: Owner / Owner	

Physical Requirements

Width (in.): 47.1250	Left (in.): N/A
Depth (in.): 44.0000	Right (in.): N/A
Height (in.): 87.1250	Front (in.): N/A
Product Weight (lbs): 154.0000	Back (in.): N/A
Max Operating Weight (lbs):	Top (in.): N/A
Mounting: Floor - Mobile	Bottom (in.): N/A
Specification notes:	

Structural Requirements

Seismic: No	OPA #:
	Pre-Approval:
Structural notes:	

Technology Requirements

Patient Data: No	Network:
Connection Type: N/A	System:
Technical Connection notes:	

Electrical Requirements

Volts: 120	Watts: 120.0000
Hz: 60	Amps: 1.0000
KVA:	Circuit: No
UPS: N/A	Plug Type: Type B (Nema 5-15)
Emerg. Power: No	Plug Detail:
Other Volts Avail.: No	Electrical Phase: Single Phase
BTU/hr: N/A	
Electrical notes:	

Utility Requirements

Water - Cold: No	Gas Type:
Water - Hot: No	Gas Location:
Water - Treated: No	Medical Gas: No
Drain: No	Vent Type:
Drain Location:	Heat Dissipation: N/A
Steam: No	Dissipation Type: Actual
Vacuum - Den. / Med.: No/No	
Plumbing notes:	
Mechanical notes:	

Locations

Level	Arch Dept	Room	Room #	Status	Item Qty	Ext Total Config
Level 7	Patient Care Support	Equipment Storage (West)	7822	New	1	\$11,999.99

Total: 1

INSTRUCTIONS FOR USE

Maxi Move



Technical Specifications

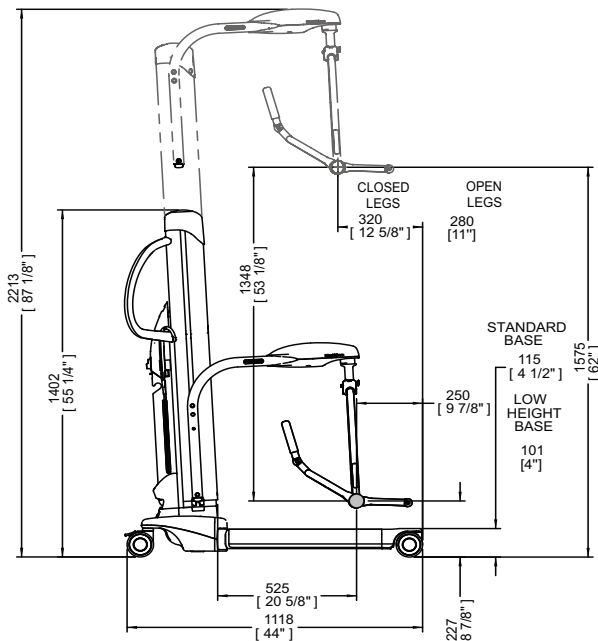
PRODUCT INFORMATION		MAXI MOVE
Total weight (standard jib, without accessories)	64.5 kg (142 lb)	
Lifting capacity (SWL)	Regular jib: 227 kg (500 lb) Extended jib: 130 kg (287 lb)	
Battery pack weight	5.0 kg (11 lb)	
Turning Diameter	1222 mm (48 in)	
Minimum door requirement	717 mm (28.25 in) for Standard Base (KMCS _{**}) & Low Height Base (KMCL _{**}) 770 mm (30 3/8 in) for Extra Low Height Base (KMCE _{**})	
Operating forces of controls	2.5- 3N	
ELECTRICAL		
Degree of protection	IPx7 - Hand control IP24 - MAXI MOVE	
Internally powered	24 Vdc	
Battery Type	Rechargeable (Sealed Lead Acid)	
Battery Capacity	24 Vdc, 4.0 Ah to 5.5 Ah	
Battery charger input (part #NDA8200)	100 to 240 Vac / 50 to 60 Hz	
Up and down current limiting	12 ± 1 Amp.	
Duty cycle	15% - max. 2 min. continuous use	
Sound power level up	61.9 dBA	
Sound power level down	61.7 dBA	
Medical equipment	Type BF protection against electrical shock in accordance with IEC 60601-1	
<p>This Arjo product meets the requirements of IEC 60601-1-2 for Electromagnetic Compatibility.</p> <p>The MAXI MOVE is compliant to IEC 60601-1 series including applicable collateral standards and national deviations. The MAXI MOVE is compliant to ISO 10535 standard (except when being used in conjunction with a stretcher; see "Using your MAXI MOVE" section).</p>		
<p>WARNING: Portable RF communications equipment (including peripherals such as antenna cables and external antennas) should be used no closer than 30 cm to any part of the Maxi Move, including cables specified by the manufacturer. Otherwise, performance degradation of this equipment could result.</p> <p>See "Electromagnetic Compatibility" section for more details.</p>		
DIGITAL SCALE SPECIFICATIONS		
Weight range	227 kg (500 lb)	
Display resolution and type	0.1 kg (0.2 lb), liquid crystal display	
Accuracy (in service)	Class III 2-50 kg ±50 g / 4-110 lb ±0.1 lb 50-200 kg ±100 g / 100-440 lb ±0.2 lb 200-227 kg ±150 g / 440-500 lb ±0.3 lb	
OPERATION AND STORAGE CONDITIONS		
Ambient temperature range	Operation: 5° to 40°C (+41° to +104°F) Storage: - 25° to 70°C (-13° to 158°F)	
Relative humidity range	Operation: 15 to 93% (non-condensing) Storage: Up to 93% (non-condensing)	
Atmospheric pressure range	Operation: 795 hPa to 1060 hPa (2000 m max) Storage: 500 hPa to 1060 hPa	
<p>WARNING: The equipment is not suitable in the presence of flammable anaesthetic mixture with air or oxygen, or with nitrous oxide. Using the MAXI MOVE in this environment might lead to an explosion. The lift might create some spark internally and ignite the gas.</p>		
SAFE DISPOSAL AT END OF LIFE		
Battery	Seal lead-acid, rechargeable, recyclable. All batteries in the product must be recycled separately. Batteries are to be disposed in accordance with national or local regulations.	
Package	Corrugated cardboard: recyclable Expanded polystyrene (ESP): recyclable	

Technical Specifications

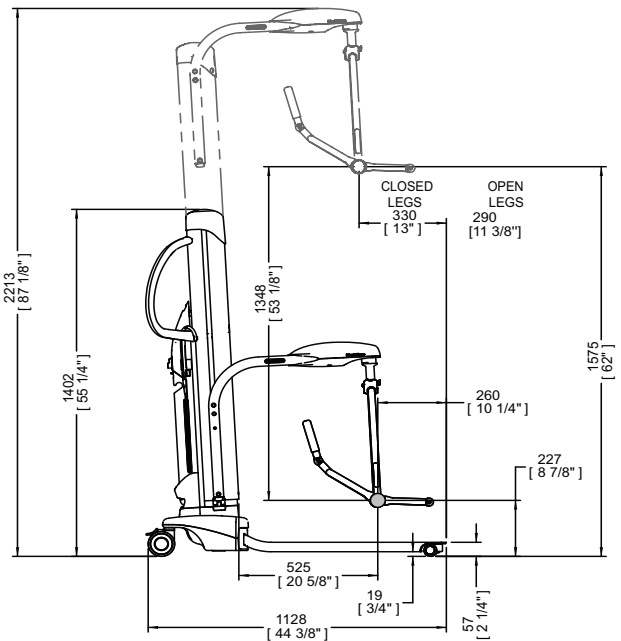
The Lift and its accessories	Separate and recycled. Components that are primarily be made up of different kinds of metal (containing more than 90% metal by weight) for example spreader bars, rails, upright supports, etc., should be recycled as metals.
Electrical and Electronic Components	Lift systems having electrical and electronic components or an electrical cord should be disassembled and recycled per Waste of Electrical and Electronic Equipment (WEEE) or in accordance with local or national regulation.
Slings	Slings including stiffeners/ stabilizers, padding material, any other textiles or polymers or plastic materials etc. should be sorted as combustible waste.

Lift Dimensions

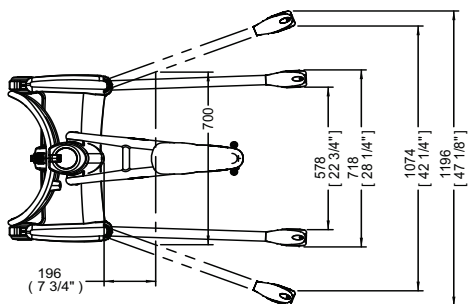
- 1) DIMENSIONS TAKEN WITH HOIST UNLOADED
- 2) DIMENSIONS TOLERANCES: ± 10 MM (3/8")



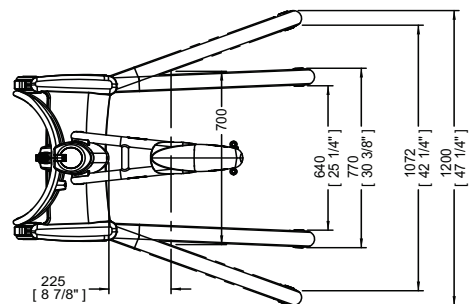
WITH DPS SPREADER BAR STANDARD BASE & LOW HEIGHT BASE (REGULAR JIB)



WITH DPS SPREADER BAR EXTRA LOW HEIGHT BASE (REGULAR JIB)



BASE DIMENSIONS
(STANDARD BASE & LOW HEIGHT BASE)

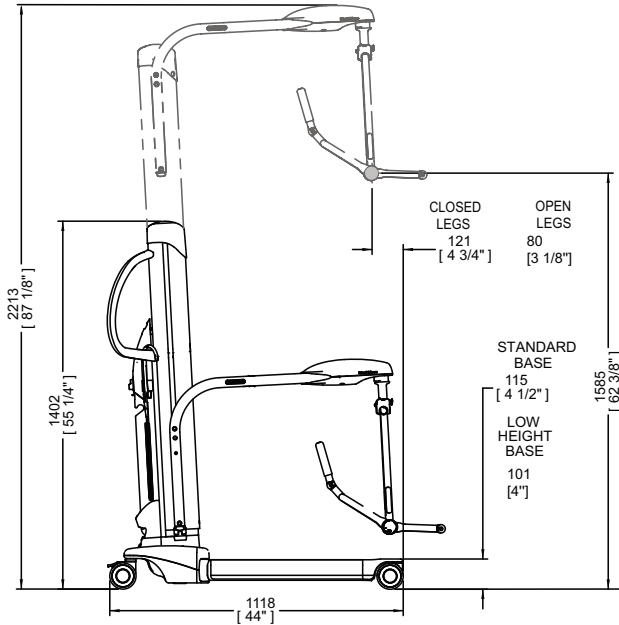


BASE DIMENSIONS
(EXTRA LOW HEIGHT BASE)

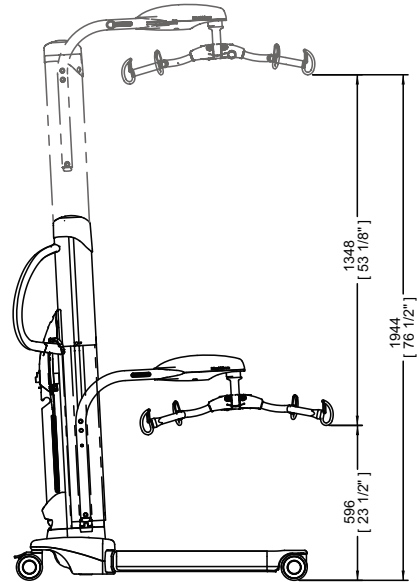
Technical Specifications

Lift Dimensions

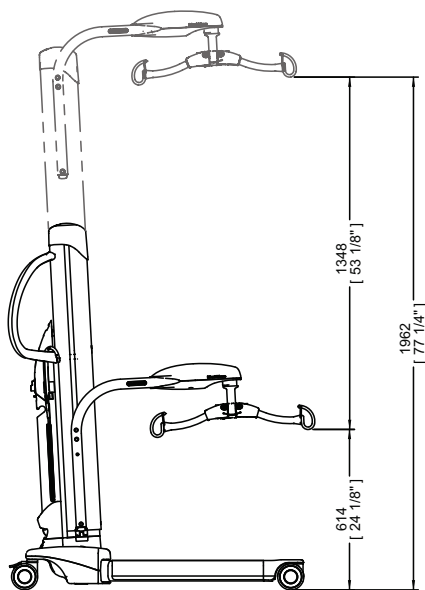
- 1) DIMENSIONS TAKEN WITH HOIST UNLOADED
- 2) DIMENSIONS TOLERANCES: ± 10 MM (3/8")



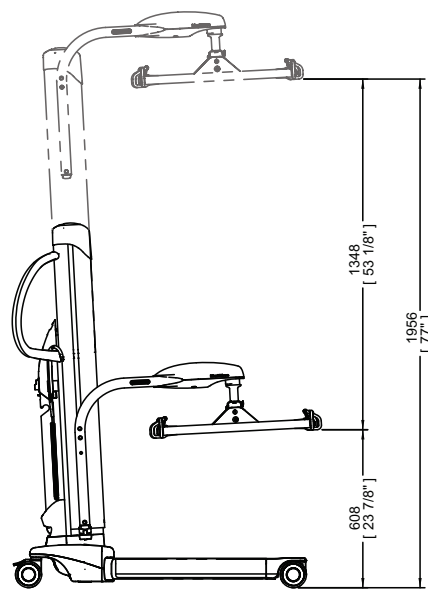
WITH DPS SPREADER BAR STANDARD BASE & LOW HEIGHT BASE (EXTENDED JIB)



WITH 4-POINT LOOP SPREADER BAR



WITH 2-POINT LOOP SPREADER BAR



WITH STRETCHER SPREADER BAR

Fig. 71



Model: Omnicell XT Three-Cell Cabinet
Category: Dispenser, Medication
Subcategory: Host (Main)
Manufacturer: Omnicell, Inc.
Catalog #: MED-FRM-103

Atta 3 ID: MED-9F9BD

Triple column automated host (Main) medication dispenser. Maximum: 2984 items. Can accommodate up to 8 items per shelf max., 48 shelves or 60 drawers/13 shelves. Features 15 inch touch screen, shelf bins and IV shelf tray, integrated medication label printer with validated barcode, fingerprint bioID system, 2D Wired Scanner, integrated online medication reference library. Patient Profiling and Scheduled Meds software included. **Options/accessories available. Actual list price dependent upon configuration specified.

General Production Detail

Arch Sig: Yes **Spatial Sig:** Yes
Arch Code: 02-Movable Electrical **ADA:** No
Critical Path: No **Antimicrobial:** No
Type: Medical **Green:** No
Furnish Install: Owner / Vendor

Physical Requirements

Width (in.): 76.5000 **Left (in.):** 4.0000
Depth (in.): 27.0000 **Right (in.):** 4.0000
Height (in.): 77.5000 **Front (in.):** 23.7500
Product Weight (lbs): 700.0000 **Back (in.):** 4.0000
Max Operating Weight (lbs): **Top (in.):** N/A
Mounting: Floor **Bottom (in.):** N/A
Specification notes:

Structural Requirements

Seismic: Yes **OPA #:** OPM-0346-13, OPM-0369-13
Pre-Approval:
Structural notes:

Technology Requirements

Patient Data: No **Network:**
Connection Type: Data **System:**
Technical Connection notes:

Electrical Requirements

Volts: 120 **Watts:** 300.0000
Hz: 60 **Amps:** 2.5000
KVA: **Circuit:** No
UPS: N/A **Plug Type:** Type B (Nema 5-15)
Emerg. Power: Yes **Plug Detail:**
Other Volts Avail.: Yes **Electrical Phase:** Single Phase
BTU/hr: 600.0000
Electrical notes:

Utility Requirements

Water - Cold: No **Gas Type:**
Water - Hot: No **Gas Location:**
Water - Treated: No **Medical Gas:** No
Drain: No **Vent Type:**
Drain Location: **Heat Dissipation:** 600.0000
Steam: No **Dissipation Type:** Actual
Vacuum - Den. / Med.: No/No
Plumbing notes:
Mechanical notes:

Locations

Level	Arch Dept	Room	Room #	Status	Item Qty	Ext Total Config
Level 7	Pharmacy	Med Room	7521, 7716, 7821	New	1	\$209,55 0.00

Total: 3

Omnnicell XT Automated Dispensing Cabinets



Three-Cell Cabinet

Dimensions:

- Height: 77.5"
- Width: 76.5"
- Depth: 27.0"



Two-Cell Cabinet

Dimensions:

- Height: 77.5"
- Width: 51.5"
- Depth: 27.0"



One-Cell Cabinet

Dimensions:

- Height: 77.5"
- Width: 26.5"
- Depth: 27.0"



Half-Height Cabinet

Dimensions:

- Height: 53.3"
- Width: 26.5"
- Depth: 27.0"



Quarter-Height Cabinet

Dimensions:

- Height: 25.4"
- Width: 26.5"
- Depth: 27.0"



HVAC Table Heat Dissipation Advisories

Cabinet	Heat Dissipation
XT One-Cell, Two-Cell and Three-Cell Cabinets	200-600 BTU/hour
XT Half-Height and Quarter-Height Cabinets	200-400 BTU/hour
XT Anesthesia Workstation	200-400 BTU/hour

Electrical Requirements

Omnicell XT electrical requirements are provided for voltage, frequency, operating current and power consumption.

Omnicell requires the facility to provide electrical service according to Omnicell equipment specifications. The facility is responsible for all electrical and cabling costs.

There needs to be one 100-240VAC outlet for each cabinet control unit and auxiliary unit in North America. For all other countries, consult the local electrical authority. All units must be within six feet (1.8 m) of the electrical outlet.

Product	Operating Voltage (VAC)	Freq	Operating Current	Power Consumption	Fuse	Phase
One-, Two-Three-Cell Main Cabinets	100 - 240 Autoranging	50-60 Hz	3 A @ 100 VAC 1.25 A @ 240 VAC	300W	6.3 A	Single
Half-height Quarter-Height Cabinets	100 - 240 Autoranging	50-60 Hz	3 A @ 100 VAC 1.25 A @ 240 VAC	300W	6.3 A	Single
Auxiliary Cabinets	100 - 240 Autoranging	50-60 Hz	2.5 A @ 100 VAC 1.0 A @ 240 VAC	250W	4.0 A	Single
XT Anesthesia Workstation	100-240 Autoranging	50-60 Hz	1.25 A @ 100VAC 0.75 A @ 240 VAC	125W	6.3A	Single



Power and data connections are made to frames at the back right of the computer. The XT One-, Two and Three-Cell computers are 53-57 in. (134.6 - 144.8 cm) from the floor. In the XT Half-Height cabinet the computer is 44-48 in. (111.7 -122 cm) from the floor. Omnicell power cords are 15 feet (4.57 m) in length.

eBox Specifications

The eBox contains the motherboard, PowerCom board, disk drive, fans and USB hub.

The Console allows direct user interface with a cabinet via a touch screen, keyboard, keypad, fingerprint scanner and monitor.

Item	Omnicell Configuration
Processor	Intel® Core I3 -4330TE
Memory	4GB, DDR Memory
Hard Drive	80 GB Solid State Drive
Operating System	Microsoft Windows 10
Display	15.0 in. diagonal TFT active matrix LCD with projected capacitive (PCAP) touch screen technology
Video Controller	LCD, 15 in., XGA, LVDS, 1024x768
Ethernet	02 x Realtek 8111G PCIe Gigabit LAN
Keyboard	Keyboard, USB, QWERTY
Mouse	None
Floppy Disk Drive	None
CD-ROM or DVD-ROM Drive	None
Sound	Single speaker
Printer	3 in. thermal receipt roll printer and 2 in. label printer

Item	Omicell Configuration
UPS	Built-in battery backup (approximately 20 minutes back-up)
Weights	Console: 48-51 lb. (21.77-23.13 kg) depending upon configuration
	eBox: 40 lb. (18.14 kg)
Input Voltage	100 – 240 VAC
Input Power Frequency	50 – 60Hz, single phase
Operating Current	3A maximum at 100 – 240 VAC
Power Consumption	300W maximum
Operating Temperature	5 - 35 ° C
Fuse Rating	6.3A

Backup Battery Specifications

The backup battery maintains cabinet power during a main power outage. Battery specifications are provided in the table.

Main cabinets have a built-in battery that automatically provides power to the cabinet when main power fails. The battery can power the cabinet for approximately 20 minutes.

The battery is integrated into the console power supply and monitored. The battery can be replaced when needed.

Parameter	Specification
Battery type	Lithium-ion
Rated capacity	4.4Ah

Cabinet Specifications

General

This section describes general cabinet specifications and requirements.



- Dimensions may vary slightly from those stated here due to manufacturing variances.
 - Clearance should be added to facilitate moving the cabinets in and out from the wall. Clearance is also needed for modules mounted on the side of the unit—such as the external return bin (ERB). Depth includes the door or drawer handle. Clearances are provided when the door/drawer is open. User access may require additional clearance.
 - The images in this topic display sample cabinet configurations. Actual configurations and modules may be customized by the customer. Cabinet weight varies depending on the configuration.
 - Allow 4 in. (10.16 cm) clearance around each Omnicell cabinet (from the wall and other cabinets) for adequate ventilation. Minimum clearance is 1 in. (2.54 cm).
-



When using less than the recommended clearance of 4 in. (10.16 cm), temperatures of items stored above the console could raise above the recommended temperature range.



Estimated maximum load weight for a cabinet shelf is 50 lb (22.68 kg).

Omnicell XT Three-Cell Cabinet

The table below provides Omnicell XT Three-Cell main cabinet specifications.



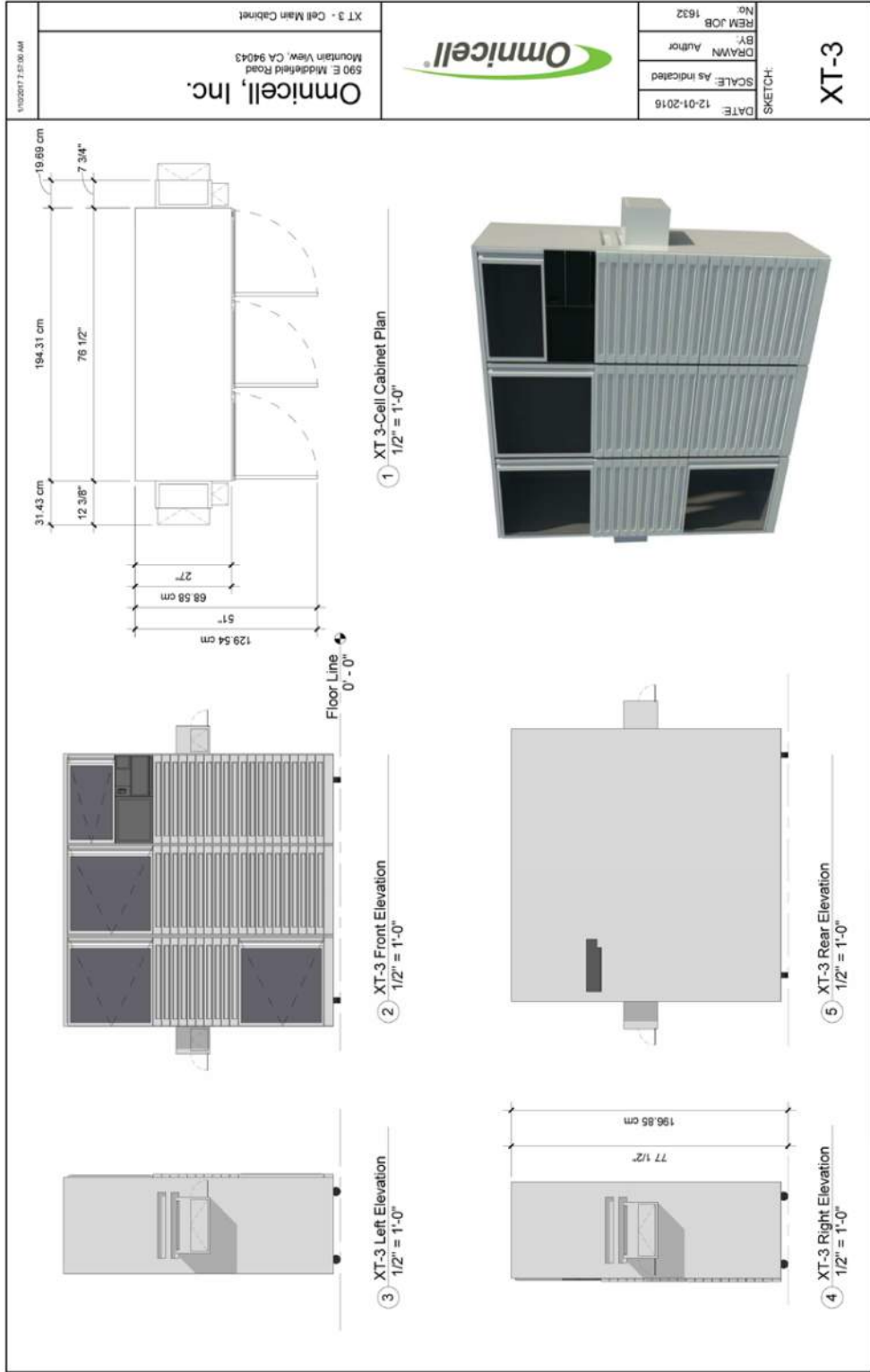
Description	Specifications	Metric
Line Item capacity	maximum 2984 items	
	8 items/shelf max. 48 shelves or 60 drawers/13 shelves	
W x H x D	76.5 x 77.5 x 27.0 in	194.3 x 68.6 x 196.9 cm
Min. width with ERB	84.3 in	214.1 cm
Clearance	52 in (depth to include door swing)	132.08 cm
Screen height	52 in height	142.24 cm
Screen size	15.0 in Color Touch	132 cm
Weight	700 lb. empty; actual weight varies by configuration	317.5 kg empty

Description	Specifications	Metric
Shelf (W x L)	22.75 x 21-22 in	57.79 x 53.34-55.88 cm
(minimum spacing)	3.8 in (between light bars)	9.65 cm
	4.5 in (between shelves)	11.48 cm

OmniceLL XT Three-Cell Auxiliary Cabinet

This table provides the specifications for the Omnicell XT Three-Cell Auxiliary Cabinet.

Description	Specifications	Metric
Line Item capacity	maximum 3000 items	
	8 items per shelf, max. 50 shelves or 60 drawers/15 shelves	
W x H x D	76.5 x 77.5 x 27.0 in	194.31 x 196.9 x 68.6 cm
Min. width with ERB	84.3 in	214.1 cm
Clearance	52 in (depth to include door swing)	132.08 cm
Screen height	N/A	
Weight	700 lb. empty; actual weight varies by configuration	317.5 kg
Shelf (W x L)	22.6 x 23.38 in	57.45 x 59.4 cm
(minimum spacing)	3.8 in (between light bars)	9.65 cm
	4.5 in (between shelves)	11.43 cm





Model: FlexLock
Category: Dispenser, Medication
Subcategory: Lock Module
Manufacturer: Omnicell, Inc.
Catalog #: OCFLTCK

Atta 3 ID: MED-E2EB1

Lock module with TempCheck for use on refrigerators connected to controlled medication/supply system. Refrigerators not included, must be purchased from third party.

General Production Detail

Arch Sig: Yes	Spatial Sig: No
Arch Code: 03-Movable Non-Electrical	ADA: No
Critical Path: No	Antimicrobial: No
Type: Medical	Green: No
Furnish Install: Owner / Owner	

Physical Requirements

Width (in.): 12.0000	Left (in.): N/A
Depth (in.): 6.0000	Right (in.): N/A
Height (in.): 3.0000	Front (in.): N/A
Product Weight (lbs): 20.0000	Back (in.): N/A
Max Operating Weight (lbs):	Top (in.): N/A
Mounting: Special	Bottom (in.): N/A
Specification notes:	

Structural Requirements

Seismic: No	OPA #:
	Pre-Approval:
Structural notes:	

Technology Requirements

Patient Data: No	Network:
Connection Type: N/A	System:
Technical Connection notes:	

Electrical Requirements

Volts:	Watts: N/A
Hz: N/A	Amps: N/A
KVA:	Circuit: No
UPS: N/A	Plug Type: N/A
Emerg. Power: No	Plug Detail:
Other Volts Avail.: No	Electrical Phase: N/A
BTU/hr: N/A	
Electrical notes:	

Utility Requirements

Water - Cold: No	Gas Type:
Water - Hot: No	Gas Location:
Water - Treated: No	Medical Gas: No
Drain: No	Vent Type:
Drain Location:	Heat Dissipation: N/A
Steam: No	Dissipation Type: Actual
Vacuum - Den. / Med.: No/No	
Plumbing notes:	
Mechanical notes:	

Locations

Level	Arch Dept	Room	Room #	Status	Item Qty	Ext Total Config
Level 7	Pharmacy	Med Room	7521, 7716, 7821	New	1	\$11,700.00

Total: 3

Module	Specifications	Metric
<p>FlexLock (installed on refrigerator)</p> 	<p>Model #: OCFLTCK Item capacity: N/A W x H x D: 12" x 3" x 6" approximately Clearance: Refrigerator specs vary; add 2" for FlexLock Weight: < 20 lbs Note: See "Refrigeration Options" on page 2-45.</p>	<p>30.48 x 7.62 x 15.24 cm add 5.08 cm < 9.07 kg</p>
<p>OmniTrack</p> 	<p>Model #: OT32 Item capacity: 32 W x H x D: 1 shelf position Weight: < 20 lbs</p>	<p>< 9.07 kg</p>
<p>Pull-out shelf</p> 	<p>Model #: PS1 Item capacity: 8 W x H x D: 1 shelf position (22.75" x 23" x 4.63") Weight: < 50 lbs</p>	<p>57.79 x 58.42 x 11.76 cm < 22.68 kg</p>
<p>Supply drawer</p> 	<p>Model #: OSD24 # of bins: 24 maximum Bin W x H x D: 2" x 4.25" x 3.75" Drawer W x H x D: 22" x 21.5" x 4" (1 shelf position) D: < 50 lbs Weight:</p>	<p>5.08 x 10.8 x 9.53 cm 55.88 x 54.61 x 10.16 cm < 22.68 kg</p>
<p>Catheter rack</p> 	<p>Model #: OCR48 Item capacity: 48 (4 rails x 12 items each) W x H x D: 2-3 zones Weight: < 100 lbs Note: Catheter rack is placed in the top zone.</p>	<p>< 45.36 kg</p>

Table 2-18. Module Specifications (2 of 5)

Refrigeration Options

Refrigerators are used with FlexLock or inside cabinets. They must be purchased from a third party. The following table lists compatible free-standing refrigerators (compact and full size).

A half-size refrigerator can take up to two zones in a cabinet, using two shelf positions above it. Using a dorm-size refrigerator inside a cabinet only takes up one zone. Special orders for refrigerator-ready cabinet (with vents for heat dissipation) have a six-week lead time.

Manufacturer	Model	Dimensions (metric)	Volume (metric)	Notes
Kenmore (compact)	#93972	33 7/8" x 18 3/4" x 19 1/8" (86.04 x 47.63 x 48.59 cm)	3.9 cubic ft. (.11 cubic m)	
Kenmore (compact)	#92779	26 3/16" x 18 3/4" x 19 1/8" (66.52 x 47.63 x 48.59 cm)	2.7 cubic ft (.08 cubic m)	black model
Sanyo (compact)	#SR-4310W	33 3/4" x 18 1/2" x 20 1/2" (85.73 x 46.99 x 52.07 cm)	4.4 cubic ft (.12 cubic m)	curved front
Sanyo (compact)	#SR-2570W	25 1/4" x 18 1/2" x 17 1/2" (64.14 x 46.99 x 44.45 cm)	2.5 cubic ft (.07 cubic m)	
Haier (compact)	#HMSE03WAWW	33 1/8" x 18 9/16" x 19 1/2" (84.15 x 47.14 x 49.53 cm)	3.3 cubic ft (.09 cubic m)	
Sunbeam (compact)	#SCR03PMWBW	27 7/10" x 19 4/5" x 19 1/2" (70.36 x 50.29 x 49.53 cm)	2.8 cubic ft (.08 cubic m)	
Sunbeam (compact)	#SCR04PMWBW	34 1/2" x 20 1/5" x 19 7/10" (87.63 x 51.3 x 50.04 cm)	3.9 cubic ft (.11 cubic m)	
GE (full size)	#GTS18GBSW	67 3/8" x 28" x 32 3/8" (171.13 x 71.12 x 82.25 cm)	18.2 cubic ft (.52 cubic m)	
Whirlpool (full size)	#ER8AHMXRQ	68" x 28" x 31" (172.72 x 71.12 x 78.74 cm)	17.6 cubic ft (.5 cubic m)	
Kenmore (full size)	#27422	59" x 28" x 31" (149.86 x 71.12 x 78.74 cm)	14.1 cubic ft (.4 cubic m)	frost free
Kenmore (full size)	#26442	59" x 28" x 28 1/2" (149.86 x 71.12 x 72.39 cm)	14 cubic ft (.4 cubic m)	frost free
Kenmore (full size)	#26742	64 1/2" x 32" x 26 1/2" (163.83 x 81.28 x 67.31 cm)	17 cubic ft (.48 cubic m)	frost free
Kenmore (full size)	#27042	70 3/4" x 32" x 31" (179.71 x 81.28 x 78.74 cm)	20.6 cubic ft (.58 cubic m)	frost free
Kenmore (full size)	#26082	70" x 32" x 28 1/2" (177.8 x 81.28 x 72.39 cm)	21 cubic ft (.59 cubic m)	
Inglis (full size)	#IT14KXSQ	62 7/8" x 28" x 31" (159.72 x 71.12 x 78.74 cm)	14.4 cubic ft (.41 cubic m)	
Whirlpool (full size)	#ER6AHKXSQ	65 1/2" x 28 3/16" x 30 9/16" (166.37 x 71.6 x 77.62 cm)	15.9 cubic ft (.45 cubic m)	
Whirlpool (full size)	#GR2FHMPQ	66 1/2" x 29 1/2" x 31 1/2" (168.91 x 74.93 x 80.01 cm)	21.7 cubic ft (.61 cubic m)	

Omnicell Flexlock Installation Instructions

Please see template on last page of this document.

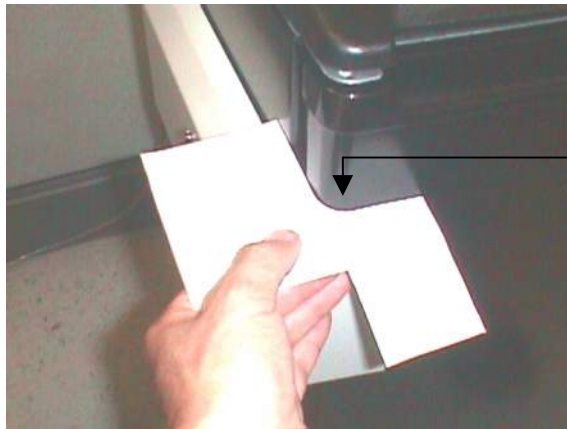
Objective: To show the site requirements for installing an Omnicell FlexLock to a refrigerator.

The FlexLock Option Kit (12-7007) consists of a main housing assembly and two style front bracket assemblies:

1. One style front bracket is designed for refrigerators where the door is 90 degrees (square) at the edge and in-line with a flat side.
2. The second style is designed for a specific shaped curved refrigerator door that is typically found on Sanyo and Kenmore models. There is a template attached to this PDF file (cut out with scissors) that is used to check the refrigerator door profile.

NOTE: Refer to the Omnicell FlexLock, Installation and Servicing Manual on the Omnicell Hardware Service Manual CD V2.1

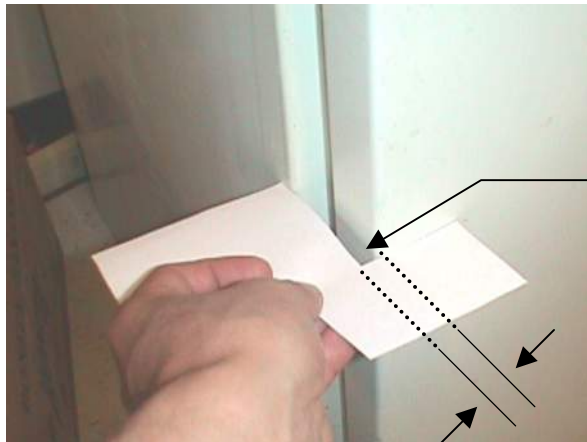
The adhesive used to install the door bracket requires full contact with the refrigerator door and therefore the FlexLock Option Kit supports only refrigerator models that fit the template requirement.



Closely match profile

In addition to the door bracket, there are other considerations and space restrictions that need to be checked.

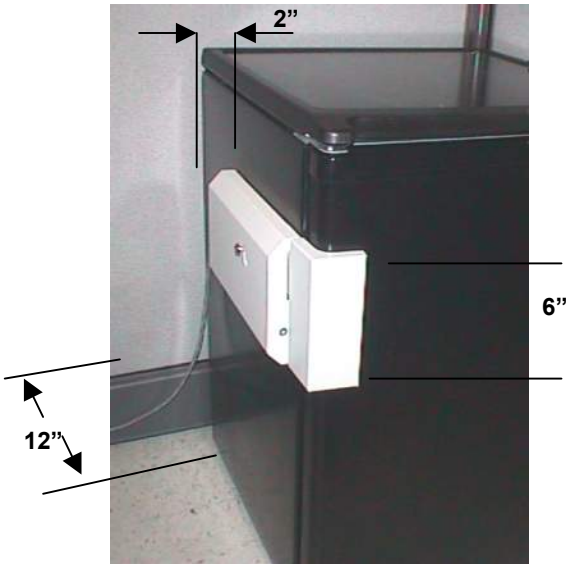
1. The side of the refrigerator must be flat and line up with the edge of the door.



Gap NOT allowed.

Confidential and Proprietary Information

- The Omnicell FlexLock requires 6" of height, 6" of depth*, and 12" of length from the front of the refrigerator door. (* 2" of depth would work if the refrigerator could be slid out for access during an override)





Model: IntelliVue MX450 (4-Wave)
Category: Monitor, Physiologic
Subcategory: Bedside
Manufacturer: Philips Healthcare - Monitoring Systems
Catalog #: 866062-A04

Atta 3 ID: MON-1A200

Portable/Bedside physiological monitor with 12in TFT widescreen touch display. 4-Wave configuration (ECG/RESP, SPO2, NIBP). Features adjustable screen layouts, configurable temperature, height, and weight and can be displayed in kPa or mmHg. Drug, ventilation, hemodynamic, and oxygenation calculations. Patient data management with tabular and graphic trends, and high-resolution trends. Built-in battery bay (battery not included), built-in comfort handles and integrated power supply. Compatible with IntelliVue Multi-Measurement Module (M3001A)/ IntelliVue X2 (M3002A) and all Multi-Measurement. Budget List price includes allowance for MMS module, software and accessories.

General Production Detail

Arch Sig: Yes	Spatial Sig: No
Arch Code: 02-Movable Electrical	ADA: No
Critical Path: No	Antimicrobial: No
Type: Medical	Green: No
Furnish Install: Owner / Owner	

Physical Requirements

Width (in.): 13.0000	Left (in.): N/A
Depth (in.): 7.2500	Right (in.): N/A
Height (in.): 11.5000	Front (in.): N/A
Product Weight (lbs): 13.0000	Back (in.): N/A
Max Operating Weight (lbs):	Top (in.): N/A
Mounting: Counter/Cart/Table/Pole	Bottom (in.): N/A
Specification notes:	

Structural Requirements

Seismic: No	OPA #:
	Pre-Approval:
Structural notes:	

Technology Requirements

Patient Data: No	Network:
Connection Type: Data	System:
Technical Connection notes:	

Electrical Requirements

Volts: 120	Watts: 70.0000
Hz: 60	Amps: 0.6000
KVA:	Circuit: No
UPS: N/A	Plug Type: Type B (Nema 5-15)
Emerg. Power: Yes	Plug Detail:
Other Volts Avail.: No	Electrical Phase: Single Phase
BTU/hr: N/A	
Electrical notes:	

Utility Requirements

Water - Cold: No	Gas Type:
Water - Hot: No	Gas Location:
Water - Treated: No	Medical Gas: No
Drain: No	Vent Type:
Drain Location:	Heat Dissipation: N/A
Steam: No	Dissipation Type: Actual
Vacuum - Den. / Med.: No/No	
Plumbing notes:	
Mechanical notes:	

Locations

Level	Arch Dept	Room	Room #	Status	Item Qty	Ext Total Config
Level 7	Progressive Care	Progressive Care	701, 702, 703, 704, 705, 706, 707, 708, 709, 710, 711, 712	New	1	\$284,54 4.00

Total: 12



IntelliVue MX450 Patient Monitor

Philips 866062 Technical Data Sheet

The Philips IntelliVue MX450 patient monitor offers a flexible and modular monitoring solution, designed to suit a broad spectrum of needs. The monitors can be connected to the Philips Multi-Measurement Module (MMS) family with its extensions, and the IntelliVue gas analyzers to extend its functionality with plug-and-play convenience. Dedicated configurations are available for the anesthesia, intensive, cardiac, neonatal and general care environments.

Features

- Intuitive user interface.
- Simple menu hierarchy gives fast access to all basic monitoring tasks.
- Screen layouts are easily adjustable, allowing flexible display of measurement information.
- Previous Screen function provides access to the most recently used screens including the last three modified screens.
- Temperature, height, and weight can be configured either in metric or imperial units. Pressure measurements can be displayed in kPa or mmHg. Gases can be displayed in kPa or mmHg.
- Patient data management with tabular and graphic trends, and high-resolution trends to track changes with beat-to-beat resolution.
- Drug, ventilation, hemodynamic, and oxygenation calculations.
- User or case-specific profiles enable rapid case turnover.

PHILIPS

- Patented automatic alarm limits help clinicians provide care more efficiently.
- Event Surveillance including Neonatal Event Review for automatic detection of patient status deterioration.
- Bed-to-bed overview provides clinicians with an overview of all the patient beds in their care.
- Choice of input devices: Touchscreen, remote control, trackball, mouse, keyboard, or barcode reader.
- Built-in Recorder
- Graphical measurement window shows which measurements are being measured by which device, making it easier to resolve measurement label conflicts.
- Timers application allows you to set timers to notify you when a specific time period has expired.

Indicated Use

The monitor is indicated for use by health care professionals whenever there is a need for monitoring the physiological parameters of patients. The monitor is intended to be used for monitoring and recording of, and to generate alarms for, multiple physiological parameters of adults, pediatrics, and neonates. The monitor is intended for use by trained healthcare professionals in a hospital environment.

The monitor is additionally intended for use in transport situations within hospital environments.

The monitor is only for use on one patient at a time. It is not intended for home use. Not a therapeutic device. The monitor is for prescription use only.

Rx only: U.S. Federal Law restricts this device to sale by or on the order of a physician.

The ECG measurement is intended to be used for diagnostic recording of rhythm and detailed morphology of complex cardiac complexes (according to AAMI EC 11).

ST segment monitoring is intended for use with adult patients only and is not clinically validated for use with neonatal and pediatric patients.

The SSC Sepsis Protocol, in the ProtocolWatch clinical decision support tool, is intended for use with adult patients only.

The Integrated Pulmonary Index (IPI) is intended for use with adult and pediatric (1 to 12 years) patients only. The IPI is an adjunct to and not intended to replace vital sign monitoring.

The derived measurement Pulse Pressure Variation (PPV) is intended for use with sedated patients receiving controlled mechanical ventilation and mainly free from cardiac arrhythmia. The PPV measurement has been validated only for adult patients.

Modularity

The monitor's functionality can be extended by connecting Philips multi-measurement module family (with extensions), and gas analyzers, with plug-and-play convenience.

The monitors are available as standalone or networked solutions. The monitor's modular design allows new capabilities to be added in the future as monitoring requirements change. This upgradability gives the security of knowing that the monitor can be enhanced and updated as practices and technologies advance, protecting long-term investments.

Main Components

Display

The monitor has a color 12 inch LCD TFT display, providing high resolution waveform and data presentation.

The MX450 integrates the display and the processing unit into one device.

User Interface

The color Graphical-User-Interface is designed for fast and intuitive operation, and ensures that clinicians quickly feel at ease using the monitor.

SmartKeys with intuitive icons allow monitoring tasks to be performed quickly and easily, directly on the monitor screen.

Waves and numerics are color-coded.

The MX450 displays up to six waves simultaneously. For 12-lead ECG monitoring it can display 12 real-time ECG waves, with a rhythm strip and all ST values.

Flexible screen layout allows optimal use of the available display space, for example, waves can be overlapped or wave size can adjust dynamically depending on the number of waves configured for the space.

The Basic Help provides on-screen operating help, explaining INOP and alarm messages.

Touchscreen Operation

The MX450 monitor is supplied as standard with a resistive touchscreen display.

Remote Control

The IntelliVue Remote Control 865244 provides direct access to five hardkeys, a navigation knob, and a numeric keypad which can also be used for alphanumeric entry. The hardkeys include "Silence", "Alarms Off / Pause Alarms", "Back Key", "MainScreen", and a "SmartKeys" key that displays a block of configurable smart keys. The remote control is connected to the MX450 monitor via USB interface and used for remote operation of the monitor.



Input Devices

Supported input devices include USB-compatible off-the-shelf computer accessories such as a mouse, keyboard, trackball, or barcode reader. All input devices can be used individually or in combination.

Keyboard

If alpha or numeric data entry is required, for example to enter patient demographics, a pop-up keyboard will automatically appear on the screen. If desired a USB-compatible off-the-shelf keyboard can be used instead.

Multi-Measurement Module

The M3001A Multi-Measurement Module (MMS) can be connected without cables to the rear of the MX450. It sends measurement waves and numerics to the monitor screen and generates alarms and INOPs.



Patient demographic details are stored in the MMS. Eight hours of patient trends can be transferred to the monitor.

The MMS provides measurement data for Electrocardiogram (ECG)/ Arrhythmia, Respiration, Oxygen Saturation of Arterial Blood (SpO₂), Non-invasive Blood Pressure (NBP), and Invasive Pressure or Temperature. It features diagnostic 12-lead ECG capability, multi-lead arrhythmia, and 12-lead ST analysis.

X2 Multi-Measurement Module

The M3002A X2 Multi-Measurement Module can be connected without cables to the rear of the MX450. It sends measurement waves and numerics to the monitor screen and generates alarms and INOPs. Up to 24 hours of patient trends are stored in the X2, as well as patient demographic details. Eight



IntelliVue X2 Multi-Measurement Module

hours of patient trends can be transferred to the host monitor.

The X2 provides measurement data for Electrocardiogram (ECG)/ Arrhythmia, Respiration, Oxygen Saturation of Arterial Blood (SpO₂), CO₂, Non-Invasive Blood Pressure (NBP), and Invasive Pressure or

Temperature. It features diagnostic 12-lead ECG capability, multi-lead arrhythmia, and 12-lead ST analysis.

The X2 can also be used as a stand-alone monitor.

MMS Extensions

An MMS Extension can be slotted onto an X2 or Multi-Measurement Module to add:

- an additional Invasive Pressure and Temperature Measurement, a third Invasive Pressure, or Temperature Measurement (one at a time) and optionally a Cardiac Output/Continuous Cardiac Output measurement (M3012A), or
- an additional Invasive Pressure Measurement, a third Invasive Pressure or Temperature Measurement (one at a time), an integrated mainstream or sidestream CO₂ measurement and optionally a Cardiac Output/Continuous Cardiac Output measurement (M3014A), or
- an additional Invasive Pressure or Temperature measurement (one at a time) and a Microstream CO₂¹ measurement (M3015A), or
- a dual Invasive Pressure and Temperature measurement and a Microstream CO₂ measurement (M3015B).

IntelliVue Gas Analyzers

Versatile IntelliVue G1, and G5 gas analyzers measure the five most commonly used anesthetic gases, as well as N₂O and CO₂. They all provide inspiration and expiration values for display on Philips IntelliVue Patient Monitors and the values required for MAC calculation in the IntelliVue Patient Monitors. The IntelliVue G1 gas analyzer measures the single agent chosen by the clinician. The IntelliVue G5 features automatic agent identification and mixed-agent measurement capability. Advanced O₂ technology based on paramagnetic measurements is optional with the G1 and included as standard with the G5.

Mounting

The standard mounting options enable flexible, space saving placement of the monitors for an ergonomic work space.

¹ Microstream is a registered trademark of Oridion Systems Ltd.

Applications for Specific Care Settings

General Floor Features

- Guardian Early Warning Scoring (EWS). The Early Warning Scoring application provides fast, automated Early Warning scoring and helps identify early signs of patient deterioration and enables faster activation and intervention of the rapid response team when appropriate. Guardian EWS is fully customizable to match your hospital's clinical protocols:
 - Configurable scoring parameters and thresholds
 - Configurable MEWS thresholds
 - Configurable action list

Guardian EWS provides two basic types of scoring:

- Single Parameter Scoring (SPS)
- Modified Early Warning Scoring (MEWS)

Up to 10 vital signs and clinical observations can be configured for Early Warning Scoring, the available parameters are: Temperature, Non-invasive systolic blood pressure, Non-invasive diastolic blood pressure, Respiration Rate, Heart Rate/Pulse Rate, Oxygen Saturation - Pulse Oximetry, end-tidal Carbon Dioxide, Oxygen, Breathing, Airway, Level of Consciousness, Alert/Verbal/Pain/Unconscious, Consciousness state, Concern, Pain, Urine Output, Urination.

Anesthesia Features

- The **IntelliVue G1** and **G5** measure the five most commonly used anesthetic gases, as well as N₂O and CO₂.
- **Screens** provide flexible viewing of patient information during different procedures or phases of an anesthesia case.

Critical and Cardiac Care Features

- The monitor performs multi-lead **arrhythmia detection** analysis on the patient's ECG waveform at the bedside. It analyzes for ventricular arrhythmias, calculates the heart rate, and generates alarms, including asystole, bradycardia, and ventricular fibrillation.
- Up to 12 leads of **ST segment analysis** can be performed on adult patients at the bedside, measuring ST segment elevation and depression and generating alarms and events. The user can trend ST changes, set high and low alarm limits, and set both ST and isoelectric measurement points. ST points can be set either relative to the J-point or directly by selecting a numeric value.
- **QT/QTc interval monitoring** provides the measured QT interval, the calculated heart-rate corrected QTc value and a Δ QTc value, which tracks variation in the QT interval in relation to a baseline value.
- The **Parameter Histogram** View of the Vital Signs Trend allows the clinician to see, at a glance, the stability of the patient's condition for a selected time period.
- **ST Map** application shows ST changes over time in two multi-axis spider diagrams.

- **12-lead ECG** data can be measured in diagnostic quality, using either the EASI placement method with five standard electrodes or conventional electrode placement with 10 electrodes.¹ 12 real-time ECG waveforms can be displayed simultaneously on all IntelliVue models.
- High performance pulse oximetry technologies perform accurately even in cases with low perfusion.
- Choice of Microstream, sidestream and mainstream **CO₂ monitoring** for high quality measurements with intubated and non-intubated patients.
- **Continuous cardiac output** and advanced hemodynamic assessment are provided using the PiCCO™ method without a pulmonary catheter.²
- **Clinical calculations** enable stored and manually entered data to be used to perform hemodynamic, ventilation and oxygenation calculations. Calculated data is displayed in both indexed and non-indexed format.

Neonatal Monitoring Features

- The Oxygen CardioRespiroGram (**oxyCRG**) screens provide a simultaneous presentation of up to three High-Resolution Trends:
 - beat-to-beat heart rate (btbHR)
 - an oxygenation measurement trend (SpO₂)
 - compressed respiration rate.This customized display gives clinicians a convenient overview of the neonatal patient's most important vital signs, helping them to identify significant events.
- Continuous oxyCRG recordings can be made at the bedside on the integrated recorder, and reports can be printed on locally or centrally connected printers.
- Trended values can also be viewed in the form of a histogram. The SpO₂ histograms can be trend histograms or real-time histograms with 1-second samples.
- Car Seat Assessment Record (CAR). This is a special period of event surveillance for neonates during a car seat test. During the CAR period, a real-time SpO₂ histogram is also generated with 1-second samples.
- Neonatal Event Review (NER), for automatic detection of patient status deterioration. NER is optimized for monitoring neonatal patients. For each event, an episode of four minutes of data sampled four times a second is stored, to help you keep a record of rapidly-changing condition of neonatal patients. Combi-events correlate apnea events with bradycardia and/or desaturations.

¹ EASI-derived 12-lead ECGs and their measurements are approximations to conventional 12-lead ECGs. As the 12-lead ECG derived with EASI is not exactly identical to the 12-lead conventional ECG obtained from an electrocardiograph, it should not be used for diagnostic purposes.

² PiCCO™ is a trademark of Pulsion Medical Systems AG.

IntelliVue Applications

Advanced Clinical Solutions

Clinicians are continuously drawing mental images from their observations of patients' vital signs. The IntelliVue's clinical decision support applications offer this dynamic "minds eye view" directly on the monitoring screen display.

ProtocolWatch

ProtocolWatch allows clinicians to run clinical protocols that can monitor developments in the patient's condition. The SSC Sepsis Protocol runs on the ProtocolWatch application and is used in screening for severe sepsis.

ST Map

ST Map provides a graphical display that can help clinicians to recognize ST changes and their location in the heart more easily. ST Map collects ST values created from the frontal (limb leads) and horizontal (chest leads) plane into an integrated display. The maps are multi-axis portraits of the patient's ST segments as measured with the ST/AR arrhythmia algorithm.

Advanced Event Surveillance

Events are electronic records of episodes in the patient's condition. They can be used to drive alert notification to assist compliance to any protocol that is being used by the clinician.

Horizon Display

Horizon trends provide clinicians with a graphical visualization tool that allows the end user to detect at a glance the patients' current clinical status. By combining parameters together on the display, the clinician is assisted in their cognitive process of pattern recognition.

Screen Display Flexibility

Up to 20 different screens can be created per monitor, which means that the clinician has the ability to have a screen created to match a specific clinical scenario on which the data that matters is displayed. This streamlines the information that needs to be processed and interpreted to make the right decision at the right time.

Trends

- A **standard** trend database configuration is provided, designed to suit specific application areas. Patient data from up to 50 measurement numerics can be sampled every 12 seconds, 1 minute, or 5 minutes, and stored for a period ranging from 4 – 48 hours.
- **Tabular Trends** (Vital Signs) show data for up to 50 measurement numerics in tabular form. Tabular Trends can either be viewed in a separate window or permanently displayed on specially designed screens.

- Each NBP measurement generates a column in the Vital Signs trend table. The values for the other measurements are added to provide a complete vital signs set for the NBP measurement time.
- With **Graphic Trends**, up to three rows of measurement trends can be displayed in graphic form, each combining up to three measurements. Graphical Trends can either be viewed in a separate window or permanently displayed on specially designed screens.
- **Screen Trends** permanently display trend data for periodic and aperiodic parameters in graphical format on special screens. The displayed time period can be set to 30 min, 1 h, 2 h, or 4 h.
- **High Resolution Trends** allow the user to track fast-changing measurement trends with beat-to-beat resolution (four samples/second). The number of High Resolution Trends available for display depends on the wave option purchased.
- **Horizon Trends** show the deviation from a stored baseline.
- Trended values can be viewed in the form of a histogram. The SpO₂ histograms can be **Trend Histograms** with 1-second samples.
- Navigation arrows provide easy access to the stored trends. Trend data can be documented on a locally or remotely connected printer.
- With **Event Surveillance**, changes in patients' condition are automatically detected and an electronic record of data called an Episode is stored. The Episode can store:
 - 15 seconds of high-resolution wave trace,
 - 4 minutes of data sampled 4 times a second, or
 - 20 minutes of data sampled every 12 seconds.

Event triggers can use the preset alarm limits or they can be user-defined. With user-defined triggers, event episodes are stored even when alarms are paused. A Manual Event SmartKey enables manual episode storage.

Event Annotation allows immediate or retrospective annotation of events using a user-defined list of event markers such as "ventilated". Events can be stored in a database for retrospective review, and episode data including graphic event reviews can be documented on a local or central printer. In addition, episode data without graphic elements can be documented on the integrated recorder¹. Events are also marked on the Event Line of an Information Center.

The **Basic Event Surveillance** package includes one Event Group plus the OxyCRG Group. Up to 50 event episodes can be stored over a 24 hour-period.

The **Advanced Event Surveillance** package offers increased storage capability, enabling the monitor to store data from up to 100 events over a 48-hour period. Up to six user-defined Event Groups can be configured, each made up of up to four measurements. All six groups can be active at the same time. Advanced user-configurable trigger mechanisms allow the clinician to define event triggers combining information from up to four measurements. Either alarm limits or user-defined thresholds or deviations can be configured as event

¹ Integrated recorder is optional, see: "Hardware Options".

triggers. The user can set event notifications in order to be notified when an event is detected.

Transport Features

- The monitors' portable design with integrated ergonomic handle and (optional) compact bedhanger means they can be used for in-hospital transport.
- The monitor can operate using battery¹ power for 3 – 4 hours, depending on the monitor configuration, to let you safely and easily monitor patients during procedures or in-hospital transfer.
- The transition from bedside monitoring to transport is smooth and easy, with no need to disconnect patient cables or adjust any measurement or monitor settings.
- The monitor's network capability means that it is ready for use as an integrated part of the hospital system.
- Specially-designed mounting solutions let you quickly disconnect the monitor for transport and reconnect to the mount after transport.

Patient Transfers

- The Universal Admit, Discharge, and Transfer (ADT) feature means that all ADT information is shared between the networked monitor and the Philips IntelliVue Information Center (PIIC/PIIC iX). Information need only be entered once.
- Patients can be transferred by disconnecting the MMS or X2 from a monitor, and then reconnecting it at a new monitor. Patient demographics are stored in the MMS and the X2, so they do not have to be re-entered at the new monitor.

Patient Data Documentation

- An extensive range of **Patient Reports** can be printed:
 - Event Review and Episode Reports
 - 12-lead ECG Reports
 - Vital Signs
 - Graphic Trends
 - Cardiac Output Reports
 - Wedge Procedure Reports
 - Calculations Reports
 - Histogram Reports
 - ST Map Reports
 - QT Reports
 - Alarm Limit Reports
 - Drug Calculator Reports
 - Real-time Wave Reports
 - Oxy CRG Reports

Report templates can be defined in advance, enabling print-outs tailored to each hospital's specific requirements to be started quickly.

Reports can be printed on locally or centrally-connected printers, and they can be initiated manually or automatically at user-defined intervals.

Recordings

The integrated recorder² records numerics for all active measurements and up to three wave forms.

Alarms

The alarm system can be configured to present either the traditional HP/Agilent/Philips alarm sounds or sounds compliant with the IEC 60601-1-8 Standard.

Alarm limits are permanently visible on the main screen. When an alarm limit is exceeded, it is signaled by the monitor in the following ways:

- an alarm tone sounds, graded according to severity.
- an alarm message is shown on the screen, color-coded according to severity.
- the numeric of the alarming measurement flashes on the screen.
- alarm lamps flash for red and yellow alarms and are illuminated for technical INOPs.

The alarm limit review page offers an overview of alarm limit settings and the possibility to modify these settings for all parameters.

A "SmartAlarm Delay" feature helps to reduce the number of pulse oximetry nuisance alarms.³

If the monitor is connected via a network to a central monitoring station, alarming is simultaneous at the monitor and at the Information Center.

The nurse call relay has active open and closed contacts and a user-definable delay time.

- Alarms are graded and prioritized according to severity:
 - **Red Alarms**^{***} identify a potentially life threatening situation for a patient.
 - **Yellow Alarms**^{**} indicate conditions violating preset vital signs limits.
 - **Yellow Alarms**^{*} indicate arrhythmia alarms.
 - **Technical Alarms (INOPS)** are triggered by signal quality problems, equipment malfunction, or equipment disconnect.
- The Audio off/Pause Alarms function (equivalent to Silence/Suspend with previous monitor generations) allows the user to switch off alarm tones with one touch or click while retaining visual alarm messages.

All alarms can be paused indefinitely or for a period of 1, 2, 3, 5, or 10 minutes depending on their configuration.

Alarm strip recordings are available on the integrated recorder or on a centrally-connected recorder.

² Integrated recorder is optional, see: "Hardware Options".

³ Not available in the U.S.A. and territories relying on FDA Market clearance.

The Smart Alarm Delay functionality is currently not available in China or in clinical environments under SFDA control.

¹ Battery required, see: "Hardware Options".

Patented automatic alarm limits automatically adapt the alarm limits to the patient's currently measured vital signs within a safe margin defined individually for each patient.

Visual and/or audible latching and non-latching alarm handling is available.

Profiles

Profiles are predefined configuration settings for Screens, measurement settings, and monitor properties. Each Profile can be designed for a specific application area and patient category, for example OR adult, or ICU neo-natal. Profiles enable a quick reaction to patient and care location changes: activating a Profile with a particular patient category (Adult, Pediatric or Neonatal) automatically applies suitable alarm and safety limits and saves time usually spent carrying out a complete set-up procedure.

Profiles can be created directly on the monitor or remotely on a personal computer and transferred to the monitor using the Support Tool. A selection of Profiles for common monitoring situations is provided with the monitor.

Networking Capabilities

The monitor can operate as part of a networked system (wired) using the Philips IntelliVue Clinical Network interface.

This includes:

- DHCP protocol support (as an alternative to BootP in certain network designs)
- QoS Tagging

Other Patient Overview Capability

The alarm status of beds in the same Care Group on the hospital network can be permanently displayed on the screen of each monitor in the Care Group. The user can also view measurement data from all other monitors connected to the hospital network. Other Patient information can either be viewed in a separate window or permanently displayed on specially designed screens.

Clinical Calculation Set

The clinical calculation set consists of: Hemodynamic, Oxygenation, and Ventilation calculations.

Hemodynamic Calculations:

- Cardiac Index (C.I.)
- Stroke Volume (SV)
- Stroke Index (SI)
- Systemic Vascular Resistance (SVR)
- Systemic Vascular Resistance Index (SVRI)
- Pulmonary Vascular Resistance (PVR)
- Pulmonary Vascular Resistance Index (PVRI)
- Left Cardiac Work (LCW)
- Left Cardiac Work Index (LCWI)

- Left Ventricular Stroke Work (LVS_W)
- Left Ventricular Stroke Work Index (LVS_{WI})
- Right Cardiac Work (RCW)
- Right Cardiac Work Index (RCWI)
- Right Ventricular Stroke Work (RVS_W)
- Right Ventricular Stroke Work Index (RVS_{WI})
- Extra Vascular Lung Water Index (EVLWI)
- Intrathoracic Blood Volume Index (ITBVI)
- Global End Diastolic Volume Index (GEDVI)

Oxygenation Calculations:

- Arterial Oxygen Content (CaO₂)
- Venous Oxygen Content (CvO₂)
- Arteriovenous Oxygen Content (CavO₂)
- Oxygen Availability (DO₂)
- Oxygen Availability Index (DO₂I)
- Oxygen Consumption (VO₂)
- Oxygen Consumption Index (VO₂I)
- Oxygen Extraction Ratio (O₂ER)
- Alveolar-Arterial Oxygen Difference (AaDO₂)
- Percent Arteriovenous Shunt (Q_s/Q_t)

Ventilation Calculations:

- Minute Volume (MINVOL)
- Compliance (COMP)
- Dead Space (V_d)
- Dead Space/Tidal Volume Ratio (V_d/TV)
- Alveolar Ventilation (ALVENT)

Drug Calculator

The drug calculator allows you to calculate the fourth value when three of the following values are entered: dose, amount, volume, rate of infusion.

A titration table and drip table can be displayed and printed.

Measurement units can be converted (for example, lbs to kg).

The drug calculator can also be configured to include a list of commonly used drugs using the support tool.

Service Features

- The Support Tool helps technical personnel to:
 - carry out configuration, upgrades, and troubleshooting via the network, or on an individual monitor.
 - share configuration settings between monitors.
 - back up the monitor settings.
 - document configuration settings.
- A password-protected Service Mode ensures that only trained staff can access service tests and tasks.
- The Configuration Mode is password-protected and allows trained users to customize the monitor configuration.

Device Connections

The monitor can be connected to:

- Multi-Measurement Module (MMS) family (M3001A, M3002A), and its extensions (M3012A, M3014A, M3015A/B).
- Gas Analyzers.
- Information Center (for example, PIIC iX).

Standard Interface Connections

Network Interface

The network interface provides the system with networking capability via a wired network connection.

Device Interface (USB Interface)

This interface allows connection of USB devices (Mouse, Keyboard, Barcode Scanner, Remote Control 865244, PCL5-supported Printer) to the monitor.

Further Optional Connection Interfaces

Wireless Network

Option J35 enables the monitor to function within a wireless infrastructure. The infrastructure is based on an IEEE 802.11 a/b/g network in the 2.4 GHz or 5 GHz bands (ISM). Additional components are required to complete the system. Please refer to the IntelliVue Clinical Network documentation for further information.

Advanced System Interface

The Advanced System Interface, option J40, supports an isolated MIB/RS232 interface, a basic Nurse Call connector and two additional USB Connectors.

Device Interface (USB Interface)

Option J25 adds a USB port on the right-hand-side of the monitor.

Flexible Nurse Call Interface

The Flexible Nurse Call Interface provides a means for alarms generated on the monitor to be signaled on an external device such as a nurse call system, a beeper or a light. It provides three general alarm relays and one power fail alarm. The external device is connected to the alarm relay and alarms are triggered by criteria defined by the user. It has active open and closed contacts and a user-definable delay time.

MIB/RS-232 Interface

Additional MIB/RS-232 I/O boards can be installed. The MIB ports can be independently configured to be used for:

- input for connection to a touchscreen.

- numeric, wave, and alarm data export using a computer interface, to an automated anesthesia record keeper or a personal computer (not available in all countries).
- connection to a gas analyzer.
- Data Out can be configured up to two times for each monitor. Note that only the first MIB/RS-232 port configured to Data Out (that is, the first one to receive a request) provides wave export. A second MIB/RS-232 port configured to Data Out only exports numerics.

Monitor Specifications

For M3001A, X2, and MMS-extension specifications, See the respective Data Sheets.

Safety Specifications

The monitors, together with the Multi-Measurement Module (M3001A), the X2 Multi-Measurement Module (M3002A), and all MMS extensions, comply with the Medical Device Directive 93/42/EEC (CE₀₃₆₆) and with IEC 60601-1:1988 + A1:1991 + A2:1995, EN60601-1:1990 + A1:1993 + A2:1995, UL 60601-1:2003, CAN/CSA C22.2#601.1-M90 + Suppl. No 1-94 + Am.2, IEC 60601-1-1:2000, EN 60601-1-1:2001, IEC 60601-1-2:2001 +A1:2004, EN 60601-1-2:2001 +A1:2006.

All applied parts are Type CF unless otherwise specified. They are protected against damage from defibrillation and electrosurgery. The possibility of hazards arising from software errors was minimized in compliance with ISO/EN 14971 and IEC/EN60601-1-4.

This ISM device complies with Canadian ICES-001. Cet appareil ISM est conforme à la norme NMB-001 du Canada.

Physical Specifications

Product	Max. Weight	W x H x D
MX450 Monitor	5.6 kg ^a (12.3 lb)	327 x 288 x 182 mm ^b (12.8 x 11.3 x 7.2 in)
M3001A Multi-Measurement Module (MMS)	<650 g (<1.4 lb)	188 x 96.5 x 51.5 mm (7.4 x 3.8 x 2 in)
M3002A Multi-Measurement Module (MMS)	<1.25 kg (<2.8 lb)	188 x 99 x 86 mm (7.4 x 3.9 x 3.4 in)
M3012A Hemodynamic MMS Extension	<550 g (1.2 lb)	<190 x 98 x 40 mm (<7.5 x 4 x 1.6 in)

Product	Max. Weight	W x H x D
M3014A Capnography MMS Extension	<500 g (<1.1 lb)	<190 x 98 x 40 mm (<7.5 x 4 x 1.6 in)
M3015A/B Microstream CO ₂ MMS Extension	<550 g (<1.21 lb)	<190 x 98 x 40 mm (<7.5 x 4 x 1.6 in)
865244 Remote Control	<250 g (8.8 oz)	53 x 172 x 24 mm (2.1 x 6.7 x 0.9 in)

a ± 5%
b ± 5%

Environmental Specifications

MX450 Monitors		
Item	Condition	Range
Temperature Range	Operating	0 – 40 °C (32 – 100 °F). When charging battery, or M3002A is mounted on back: 0 – 35 °C (32 – 95 °F)
	Storage	-20 – 60 °C (-4 – 140 °F)
Humidity Range	Operating	15% – 95% Relative Humidity (RH) (non-condensing)
	Storage	5% – 95% (RH)
Altitude Range	Operating	-500 m – 3000 m (10000 ft)
	Storage	-500 m – 4600 m (15000 ft)
Ingress Protection		IP21

Remote Control 865244		
Item	Condition	Range
Temperature Range	Operating	0 – 40 °C (32 – 100 °F)
	Storage	-20 – 60 °C (-4 – 140 °F)
Humidity Range	Operating	15% – 95% Relative Humidity (RH) (non-condensing)
	Storage	5% – 95% (RH)
Altitude Range	Operating	-500 m – 3000 m (10000 ft)
	Storage	-500 m – 4600 m (15000 ft)

Performance Specifications

MX450 Performance Specifications		
Power Specifications	Power Consumption	<70 W average
	Line Voltage	100 – 240 V
	Current	1.2 – 0.5 A
	Frequency	50/60 Hz
WXGA (16:10) Display 12 inch	Resolution	308 mm active matrix color LCD (TFT) 1280 x 768
	Useful screen	261.1 x 163.2 mm
	Pixel pitch	0.204 x 0.204
Indicators	Alarms Off	red (crossed out alarms symbol) LED
	Alarms	red/yellow/light blue (cyan) LED
	On/Standby/Error	green/red LED integrated in power switch
	External Power	green LED
	Battery	red-green-yellow LED
Sounds	<ul style="list-style-type: none"> • Audible feedback for user input • Prompt tone • QRS tone, or SpO₂ modulation tone • Four different alarm sounds • Remote tone for alarms on other beds in network • Tone for Timer expired 	
Trends	Resolution	50 numerics with 4h @ 12sec, 24h @ 1min and 48h @ 5min.
High Res Trend Waves	Measurements available	HR, SpO ₂ , Resp, Pulse, Perf, CO ₂ , ABP, PAP, CVP, ICP, CPP, BIS, CCO, Anesthetic Agents, inO ₂
	Resolution	Measurement samples are taken at a resolution of 4 samples per second.
	Update speed	waves are drawn at a speed of 3 cm/minute.

MX450 Performance Specifications		
Events	Information	Trigger condition and time, event classification and associated detailed view of episode data.
	Episode data	Configurable, either: 4 minutes of high resolution trend or 20 minutes of numerics trend @ 12 sec resolution or 15 seconds of 4 waves @ 125 samples/sec (Snapshot) including all current numerics, alarms and inops.
	Capacity (max.)	25 or 50 events for either 8 or 24 hours.
Alarm Signal	System delay	less than 3 seconds.
	Pause duration	1, 2, 3 minutes or infinite, depending on configuration.
	Extended alarm pause	5 or 10 minutes
Review Alarms	Information	all alarms / inops, main alarms on/off, alarm silence and time of occurrence.
	Capacity	300 items.
Real Time Clock	Range	from: January 1, 1997, 00:00 to: December 31, 2080, 23:59.
	Accuracy	better than 4 seconds per day
	Hold Time	infinite if powered by AC; otherwise at least 48 hours (typical: >72 hours).

MX450 Performance Specifications		
Buffered Memory	Hold Time	if powered by AC: infinite. without power: at least 8 hours.
	Contents	Active settings, trends, patient data, realtime reports, events, review alarms.

Interface Specifications

MX450 Interface Specifications		
Network	Standard	10BASE-T (IEEE802.3) and 100Base-TX, auto-negotiation, full and half-duplex(IEEE 802.3af)
	Connector	RJ45 (8 pin)
	Isolation	basic insulation (reference voltage: 250 V; test voltage: 1500 V)
USB Interface	Standard	USB 2.0 high-speed
	Connector	USB series "Standard A" receptacle
	Power	Low power port 4.4 V min., max. load for all ports together 500 mA
	Isolation	none
Dual MIB/RS-232 Interface^a	Standard	IEEE 11073 30200
	Connector	RJ45 (eight pin)
	Mode	Software-controllable BCC (Rx/D/TxD cross over) or DCC (Rx/D/TxD straight through).
	Power	5 V \pm 5%, 100 mA (max.)
	Isolation	basic insulation (reference voltage: 250 V, test voltage: 1500 V)
Flexible Nurse Call Interface^a	Connector	20 pin MDR (Mini D-Ribbon), active open and closed contacts.
	Contact	\leq 100 mA, \leq 24 V DC
	Isolation	basic insulation (reference voltage: 250 V; test voltage: 1500 V)
	Delay	< (Configured Latency +0.5 sec)

MX450 Interface Specifications		
802.11 Wireless IF (Wireless Network Adapter)	Type	Internal Wireless Adapter
	Technology	IEEE 802.11a/b/g
	Frequency Band	2.4 GHz and 5 GHz ISM Band
	Modulation technique	DSSS (CCK, DQPSK, DBPSK), OFDM (BPSK, QPSK, 16-QAM, 64-QAM)
	Effective radiated power	max. 16.4 dBm (43.2 mW)
Measurement Server Link (MSL)	Connectors	MSL out (Proprietary)
	Voltage	48 V \pm 10 %
	Power	12 W
	Power Sync.	5 V CMOS Level, 78.125 kHz (typical)
	LAN signals	IEEE 802.3 10-Base-T compliant
	Serial signals	RS-422 compliant
ECG Sync Output/Analog ECG Output		
General	Connector	(1/4" stereo phone jack with tip, ring, sleeve)
	Isolation	none
	Short circuit current	<13 mA
Analog ECG Output (ring, tip) (Ring/Channel 2 is configurable to either Analog ECG Output or Digital Pulse Output)	Gain error	<15%
	Baseline offset Error	<150 mV
	Bandwidth	1 – 100 Hz
	Output voltage swing	\pm 4 V (min.)
	Signal delay	<20 ms
	Signal delay with older versions of the M3001A MMS ^b	<30 ms

MX450 Interface Specifications		
Digital Pulse Output (ring)	Output low voltage level	<0.4 V @ I= -1 mA
(Ring/Channel 2 is configurable to either Analog ECG Output or Digital Pulse Output)	Output high voltage level	>2.4 V @ I= 1 mA
	Pulse Width	100 ms±10 ms (active high)
	Pulse Rise Time	<1 ms
	Signal delay	<25 ms
	Signal delay with older versions of the M3001A MMS ^b	< 35 ms
Advanced System Interface ^c		
MIB/RS-232 port	Standard	IEEE 11073 30200
	Connector	RJ45 (eight pin)
	Mode	Software-controllable BCC (Rx/D/TxD cross over)
	Power	5 V ±5%, 100 mA (max.)
	Isolation	basic insulation (reference voltage: 250 V; test voltage: 1500 V)
Basic Nurse Call Relay	Connector	Modular Jack 6P6C, active open and closed contact.
	Contact	<=100 mA, <=24 V DC
	Isolation	basic insulation (reference voltage: 250 V, test voltage: 1500 V)
	Delay	<Configured Latency +0.5 sec
USB Interface (2 ports)	Standard	USB 2.0 full-speed (Embedded host)
	Connector	USB series "Standard A" receptacle
	Power	Low power port 4.4 V min., max. load for all ports together 500 mA
	Isolation	none

a Optional: See Hardware Options.

b (identifiable with the serial number prefix DE227 or DE441 and option string #A01)

c Optional: See Hardware Options.

Battery Specifications

Philips high-power battery M4605A, 10.8 V 6000 mAh Lithium Ion.

- Weight: 490 g.
- Status LEDs indicate charge status of batteries.
- Safety: complies with UL1642 (UL recognised).

- Electromagnetic compatibility: complies with the requirements for FCC Type B computing Device, and EN 61000-4-2 and EN 61000-4-3.
- Communication Standard: complies with the SMBus specification v1.1

Battery Operating Time

(New and fully loaded battery):

- With basic monitoring configuration: 4 hours (brightness set to optimum, MMS connected, NBP measurement every 15 minutes).
- With extended monitoring configuration: 3 hours (brightness set to optimum, MMS and MMS extension connected, NBP every 15 minutes, Recorder, 1 alarm event every 15 minutes).

Battery Charge Time

- When monitor is switched off: 3 hours.
- When monitor is in use: up to 5 hours, depending on monitor configuration.

Ordering Information

Ordering information for the 866062 (MX450) is given here. See the individual Data Sheets for detailed ordering information for the multi-measurement module family, and MMS extensions.

Monitor Capability Options¹

Basic Functionality	866062
General Care Software (Default)	H01
Intensive Care Software	H11
Neonatal Care Software	H21
Anesthesia Software	H31
Cardiac Care Software	H41

Waveform Capability	866062
4 Real-time Wave Segments (Default)	A04
6 Real-time Wave Segments	A06

Application Options²

Measurement Capability	866062
Support one additional Pressure	M05
Cardiac Output	M12

Clinical Packages	866062
Extended Clinical Applications	CP1
Extended ECG Capabilities	CP2

Clinical Applications	866062
Drug Calculator	C05
Basic Event Surveillance	C06
Advanced Event Surveillance	C07
Parameter Histograms	C09

ProtocolWatch

Protocol Watch	866062
Severe Sepsis Screening	P01
IntelliVue Guardian EWS	P05

Hardware Options

Hardware Add-Ons	866062
Remote Control	E00
Integrated Recorder	E05
Bed Hanger Mount	E21
Quick Release Mount	E22
One Li-ion battery	E24

Interface Options

Wired Interfaces	866062
RS-232/MIB Interface ^a	J13
USB Interface ^b	J25
Flexible Nurse Call IF	J30
Advanced System Interface	J40

^a Hardware supports two boards of this type.

Wireless Interfaces	866062
802.11 Wireless IF ^a	J35

^a May not be available in all Geographies.

¹ One Hxx option and one Axx must be chosen. If gas analyzers G1, G5 are required, H31 must be ordered.

² availability may depend on choice of Hxx option

Measurement Options

Measurements		Option
Multi Measurement Module		
Multi-Measurement Module, for Resp, ECG (inc. EASI), NBP, SpO ₂ (FAST SpO ₂ (#A01), Masimo SET (#A03), Nellcor OxiMax Technology (#A04)), and Pressure/Temperature. See the MMS Data Sheet for details.	M3001A	A01, or A03 ^a or A04
Add Press/Temp		C06
Add Press/Temp and Conventional 12 lead ECG		C18
X2 Multi-Measurement Module, for Resp, ECG (inc. EASI), NBP, SpO ₂ (FAST SpO ₂ (#A01), Masimo SET (#A03), Nellcor OxiMax Technology (#A04)), and Pressure/Temperature. See the X2 Data Sheet for details.	M3002A	A01, or A03 ^a or A04
MMS Extensions		
Microstream CO ₂ Extension	M3015A	
Add Press/Temp		C06
Microstream CO ₂ Extension (with dual Invasive Pressure and Temperature measurements)	M3015B	C08
Hemodynamic Extension (with Press, Temp, Press/Temp)	M3012A	
Add C.O.		C05
Add C.O./CCO		C10 ^b
Capnography Extension	M3014A	
Add Press, Press/Temp and C.O.		C05
Add Press and Press/Temp		C07
Add Press, Press/Temp and C.O./CCO		C10 ^b
Gas Analyzers		
IntelliVue G1	M1013A	
IntelliVue G5	M1019A	

a May not be available in all Geographies.

b Not available in the U.S.A., Canada, or territories relying on FDA Market clearance.

Related Products

Related Products	Model Number
Input Devices	
	M8024A
Slimline keyboard with protective cover	M8024A #A01
Mouse; wired	M8024A #B01
Trackball; wired	M8024A #C01
Trackball; wireless	M8024A #C02

Related Products	Model Number
Tabletop wired Trackball	M8024A #C03
Remote Control (865244)	Option: #E00
Support Tool	M3086A DVD
– Orderable via InCenter: http://www3.medical.philips.com/resources/hsg/docs/en-us/custom/intellivue_order.asp	
Accessory	
External Battery Charger	865432
Philips IntelliVue Battery Extension (provides additional power to a combination of MMS Extension and M3002A IntelliVue X2 Multi-Measurement Module for situations when no mains power is available, for example, during transport).	865297

Cables

Length	Description	Product/Option
MSL Cable		
0.75 m	Monitor to MMS	M8022A #SC1
2 m	Monitor to MMS	M8022A #SC2
4 m	Monitor to MMS	M8022A #SC4
10 m	Monitor to MMS	M8022A #SC6
MIB RS/232 Cables		
1.5 m	Serial cable	M8022A #SR2
3.0 m	Serial cable	M8022A #SR3
10.0 m	Serial cable	M8022A #SR6
15.0 m	Serial cable	M8022A #SR7
25.0 m	Serial cable	M8022A #SR9
Touch Cables		
1.5 m	Touch cable	M8022A #TC2
3.0 m	Touch cable	M8022A #TC3
10.0 m	Touch cable	M8022A #TC6
15.0 m	Touch cable	M8022A #TC7
25.0 m	Touch cable	M8022A # TC9
Nurse Call Relay Cable		
3.0 m	standard (backward compatible) nurse paging relay cable ^a	M8022A #NS3
10.0 m	cable	M8022A #NS6
ECG Out Cable		
3.0 m	standard ECG out cable ^b	M8022A #SY3
25 m	ECG Sync Extension cable	M8022A #SY9

a One end terminated with 6P6C connector; other end w/o connector.

b Both ends terminated with 1/4" phone plug.

Mounting Information

For mounting hardware, contact your local Philips sales representative.
For more information, see http://www.medical.philips.com/main/products/patient_monitoring/products/mounting_solutions/mounting_solutions_homepage.wpd.

Documentation

All documentation is available in .pdf format on documentation DVD and is shipped with the product. Additionally, a printed copy of the Instructions for Use ships with each monitor.

- Instructions for Use (printed)
- Documentation DVD including:
 - Installation and Service Guide
 - Configuration Guide
 - Quick Guides
 - Application Notes
 - Training Guide

Upgrade Options for 866062

Software Upgrades for 86632	Option #
Waves	
Upgrade from 4 to 6 waves	A06
Clinical Applications	
Drug Calculator	C05
Basic Event Surveillance	C06
Advanced Event Surveillance	C07
Parameter Histograms	C09
Clinical Packages	
Extended Clinical Applications	CP1
Extended ECG Capabilities	CP2
Protocol Watch	
Severe Sepsis Screening	P01
IntelliVue Guardian EWS	P05
Measurement Capability Options	
Support one additional IBP	M05
Cardiac Output	M12

Hardware Upgrades for 866372	Option #
Interfaces	
RS232/MIB Interface (1port)	J13
USB Interface	J25
Flexible Nurse call Interface	J30
802.11 Wireless IF ^a	J35
Advanced System Interface	J40

^a May not be available in all Geographies.

Philips Healthcare is part of
Royal Philips

How to reach us

www.philips.com/healthcare

healthcare@philips.com

fax: +31 40 27 64 887

Asia

+852 2821 5888

Europe, Middle East, Africa

+49 7031 463 2254

Latin America

+55 11 2125 0744

North America

+1 425 487 7000

800 285 5585 (toll free, US only)



866062 complies with the requirements of
the Council Directive 93/42/EEC of 14 June
1993 (Medical Device Directive).

Please visit www.philips.com/



© 2013 Koninklijke Philips N.V.
All rights are reserved.

Philips Healthcare reserves the right to make changes in specifications and/or to discontinue any product at any time without notice or obligation and will not be liable for any consequences resulting from the use of this publication.

Published in The Netherlands.
4522 962 92241* July 2013

Model: IntelliVue MX750
Category: Monitor, Physiologic
Subcategory: Bedside
Manufacturer: Philips Healthcare - Monitoring Systems
Catalog #: 866471-A08

Atta 3 ID: MON-66373

Bedside monitor. Directly addresses the evolving security needs of the healthcare IT landscape, with a range of capabilities that support your cybersecurity strategies. In addition, this outstanding monitor offers advanced functionality and an extensive range of measurements.

General Production Detail

Arch Sig: Yes	Spatial Sig: No
Arch Code: 02-Movable Electrical	ADA: No
Critical Path: No	Antimicrobial: No
Type: Medical	Green: No
Furnish Install: Owner / Owner	

Electrical Requirements

Volts: 120	Watts: 228.0000
Hz: 60	Amps: 1.9000
KVA:	Circuit: No
UPS: N/A	Plug Type: Type B (Nema 5-15)
Emerg. Power: Yes	Plug Detail:
Other Volts Avail.: No	Electrical Phase: Single Phase
BTU/hr: N/A	
Electrical notes:	

Physical Requirements

Width (in.): 18.8000	Left (in.): N/A
Depth (in.): 8.5000	Right (in.): N/A
Height (in.): 13.8000	Front (in.): N/A
Product Weight (lbs): 22.0000	Back (in.): N/A
Max Operating Weight (lbs):	Top (in.): N/A
Mounting: Special	Bottom (in.): N/A
Specification notes:	

Utility Requirements

Water - Cold: No	Gas Type:
Water - Hot: No	Gas Location:
Water - Treated: No	Medical Gas: No
Drain: No	Vent Type:
Drain Location:	Heat Dissipation: N/A
Steam: No	Dissipation Type: Actual
Vacuum - Den. / Med.: No/No	
Plumbing notes:	
Mechanical notes:	

Structural Requirements

Seismic: No	OPA #:
	Pre-Approval:
Structural notes:	

Technology Requirements

Patient Data: No	Network:
Connection Type: Data	System:
Technical Connection notes:	

Locations

Level	Arch Dept	Room	Room #	Status	Item Qty	Ext Total Config
Level 7	Critical Care	Critical Care - Patient of Size	720	New	1	\$22,548.37
Level 7	Critical Care	Critical Care	718, 719, 722, 723, 724, 725, 726, 727, 728, 729, 730, 731, 732, 733, 734	New	1	\$338,225.55
Level 7	Critical Care	Critical Care - Isolation	714, 715, 716, 717	New	1	\$90,193.48

Total: 20



Model: IntelliVue X3
Category: Monitor, Physiologic
Subcategory: Transport
Manufacturer: Philips Healthcare - Monitoring Systems
Catalog #: 867030

Atta 3 ID: MON-6A8F7

Dual-purpose transport monitor. Features: Intuitive smartphone-style operation and offering a scalable set of clinical measurements. Integrates with existing IntelliVue patient monitoring solution. built from chemical-resistant materials, Antimicrobial Coring Gorilla Glass covered touchscreen display, 1024 x 480 resolution and up to 5 (or 12 ECG waves) measurement waves.

General Production Detail

Arch Sig: Yes	Spatial Sig: No
Arch Code: 02-Movable Electrical	ADA: No
Critical Path: No	Antimicrobial: Yes
Type: Medical	Green: Yes
Furnish Install: Owner / Owner	

Physical Requirements

Width (in.): 9.8000	Left (in.): N/A
Depth (in.): 4.4000	Right (in.): N/A
Height (in.): 3.8000	Front (in.): N/A
Product Weight (lbs): 4.0000	Back (in.): N/A
Max Operating Weight (lbs):	Top (in.): N/A
Mounting: Counter/Cart/Table/Pole	Bottom (in.): N/A
Specification notes:	

Structural Requirements

Seismic: No	OPA #:
	Pre-Approval:
Structural notes:	

Technology Requirements

Patient Data: No	Network:
Connection Type: Data	System:
Technical Connection notes:	

Electrical Requirements

Volts: 120	Watts: 156.0000
Hz: 60	Amps: 1.3000
KVA:	Circuit: No
UPS: N/A	Plug Type: Type B (Nema 5-15)
Emerg. Power: Yes	Plug Detail:
Other Volts Avail.: Yes	Electrical Phase: Single Phase
BTU/hr: N/A	
Electrical notes:	

Utility Requirements

Water - Cold: No	Gas Type:
Water - Hot: No	Gas Location:
Water - Treated: No	Medical Gas: No
Drain: No	Vent Type:
Drain Location:	Heat Dissipation: N/A
Steam: No	Dissipation Type: Actual
Vacuum - Den. / Med.: No/No	
Plumbing notes:	
Mechanical notes:	

Locations

Level	Arch Dept	Room	Room #	Status	Item Qty	Ext Total Config
Level 7	Critical Care	Critical Care - Isolation	714, 715, 716, 717	New	1	\$43,336.00
Level 7	Critical Care	Critical Care	718, 719, 722, 723, 724, 725, 726, 727, 728, 729, 730, 731, 732, 733, 734	New	1	\$162,510.00
Level 7	Progressive Care	Progressive Care	701, 702, 703, 704, 705, 706, 707, 708, 709, 710, 711, 712	New	1	\$130,008.00
Level 7	Critical Care	Critical Care - Patient of Size	720	New	1	\$10,834.00



Specifications X3

Physical Specifications

Weight	1.4 kg (3.1 lb) incl. options, battery pack and handle
Size (with handle)	249 x 97 x 111 mm (9.8 x 3.8 x 4.4 in)

Display

Description	Active matrix color LCD display with capacitive multi-touch screen
Size	15.5cm (6.1in)
Resolution	1024 x 480
Number of measurement waves	up to 5 (or 12 ECG waves)
Supported screen orientations	0° / 90° / 180°
Screen	Antimicrobial Corning® Gorilla® Glass

Measurements

Basic	ECG, SpO ₂ (choice of Philips FAST-SpO ₂ , Nellcor OxiMax SpO ₂ , Masimo rainbow SET SpO ₂), Respiration, NiBP
-------	---



Optional:	2 invasive pressures, CO ₂ , second SpO ₂
With IntelliVue measurement extensions	Up to 4 invasive pressures and 2 temperatures; Cardiac output (right-heart and PiCCO); Covidien Microstream CO ₂ ; Repiroics mainstream CO ₂ or LoFlo sidestream CO ₂

Battery

Capacity	5 hours (basic configuration) ^[4]
----------	---

Ruggedness

Disinfection	Highly disinfectant- resistant surface materials
Mechanical ruggedness	7M3

Model: 24" Medical Grade LCD w/ Fiber Input
Category: Monitor, Video
Subcategory: 21 - 24 Inch, Medical Grade
Manufacturer: OASYS Healthcare Corp
Catalog #: LM-08-MED-24BE-FI

Atta 3 ID: MTR-51E8F

24" Medical Grade LCD monitor with fiber optic interface. Features Picture-in-Picture and Picture-by-Picture, PACS and Video gamma settings, image pan/zoom/freeze, image scaling capabilities, front panel controls, 1920x1200 resolution, 1,000:1 contrast ratio. Input signals: DVI digital, DVI optical, SDI/HD-SDI, VGA, component ((RGsB / RGBS / RGBHV / YPbPr), S-Video and composite.



General Production Detail

Arch Sig: Yes	Spatial Sig: No
Arch Code: 02-Movable Electrical	ADA: No
Critical Path: No	Antimicrobial: No
Type: Medical	Green: No
Furnish Install: Owner / Vendor	

Electrical Requirements

Volts: 24	Watts: N/A
Hz: 60	Amps: 6.2500
KVA:	Circuit: No
UPS: N/A	Plug Type: Special
Emerg. Power: No	Plug Detail:
Other Volts Avail.: No	Electrical Phase: Single Phase
BTU/hr: N/A	
Electrical notes:	

Physical Requirements

Width (in.): 23.0000	Left (in.): N/A
Depth (in.): 3.7500	Right (in.): N/A
Height (in.): 15.2500	Front (in.): N/A
Product Weight (lbs): 17.0000	Back (in.): N/A
Max Operating Weight (lbs):	Top (in.): N/A
Mounting: Special	Bottom (in.): N/A
Specification notes:	

Utility Requirements

Water - Cold: No	Gas Type:
Water - Hot: No	Gas Location:
Water - Treated: No	Medical Gas: No
Drain: No	Vent Type:
Drain Location:	Heat Dissipation: N/A
Steam: No	Dissipation Type: Actual
Vacuum - Den. / Med.: No/No	
Plumbing notes:	
Mechanical notes:	

Structural Requirements

Seismic: No	OPA #:
	Pre-Approval:
Structural notes:	

Technology Requirements

Patient Data: No	Network:
Connection Type: Data	System:
Technical Connection notes:	

Locations

Level	Arch Dept	Room	Room #	Status	Item Qty	Ext Total Config
Level 7	Progressive Care	Viewing Alcove	701.2, 703.2, 705.2, 707.2, 709.2, 711.2	New	1	\$42,600.00
Level 7	Critical Care	Viewing Alcove	714.3, 716.3, 718.2, 720.2, 722.2, 724.2, 725.2, 727.2, 728.2, 730.2, 731.2, 733.2	New	1	\$85,200.00

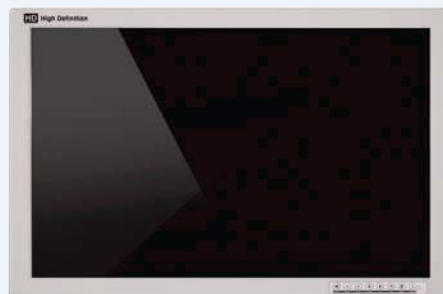
Total: 18

OASYS Medical Displays



FEATURES

- ▶ Affordable Medical Class I displays
- ▶ Open platform, standards based interfaces
- ▶ Fully integrated and tested with all OASYS Control Systems
- ▶ Motion adaptive de-interlacing up to 1080p
- ▶ PACS and VIDEO gamma settings
- ▶ Image pan, zoom and freeze
- ▶ Image scaling capabilities on all inputs
- ▶ Fully configurable picture-in-picture and picture-by-picture
- ▶ Convenient, down facing rear connectors
- ▶ Full control via intuitive front panel controls or remote RS232 connection
- ▶ Optional five wire resistive touchscreen overlay
- ▶ One year parts and labor warranty (extended warranties available)

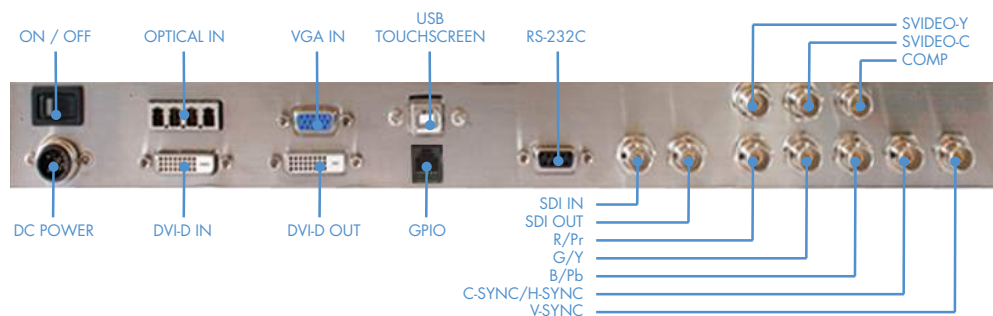


19" MEDICAL DISPLAYS

24" MEDICAL DISPLAYS

26" MEDICAL DISPLAYS

	19" MEDICAL DISPLAYS	24" MEDICAL DISPLAYS	26" MEDICAL DISPLAYS
Panel Type	a-Si TFT Active Matrix LCD with In-Plane Switching	a-Si TFT Active Matrix LCD with In-Plane Switching	a-Si TFT Active Matrix LCD with In-Plane Switching
Aspect Ratio	5:4	16:10	16:10
Resolution	1280 x 1024 pixels	1920 x 1200 pixels	1920 x 1200 pixels
Pixel Pitch	0.294 mm x 0.294 mm	0.270 mm x 0.270 mm	0.287 mm x 0.287 mm
Brightness	270 cd/m ²	400 cd/m ²	400 cd/m ²
Contrast Ratio	800:1	1000:1	1000:1
Response Time (Tr+Tf)	18 ms (7,11)	13 ms (6,7)	12 ms (5.5, 6.5)
Viewing Angle	178°	178°	178°
Pixel Sampling Rate	25.175 – 135.0 MHz	25.175 - 154.125 MHz	25.175 - 154.125 MHz
Touchscreen Option	Yes	Yes	Yes
Input Signals	<ul style="list-style-type: none"> DVI Digital DVI Optical SDI / HD-SDI VGA Component (RGsB / RGBS / RGBHV / YPbPr) S-Video Composite 	<ul style="list-style-type: none"> DVI Digital DVI Optical SDI / HD-SDI VGA Component (RGsB / RGBS / RGBHV / YPbPr) S-Video Composite 	<ul style="list-style-type: none"> DVI Digital DVI Optical SDI / HD-SDI VGA Component (RGsB / RGBS / RGBHV / YPbPr) S-Video Composite
Output Signals	<ul style="list-style-type: none"> DVI Digital SDI / HD-SDI 	<ul style="list-style-type: none"> DVI Digital SDI / HD-SDI 	<ul style="list-style-type: none"> DVI Digital SDI / HD-SDI
Control Ports	<ul style="list-style-type: none"> GPIO RS232 Control 	<ul style="list-style-type: none"> GPIO RS232 Control 	<ul style="list-style-type: none"> GPIO RS232 Control
Mounting Holes	VESA 100x100	VESA 100x100	VESA 100x100 and VESA 200x200
Panel Surface Treatment	3H Hard Coating, Anti-glare	2H Hard Coating, Anti-glare	2H Hard Coating, Anti-glare
Enclosure Rating	IPX1	IPX1	IPX1
Operating Temperature	41° – 104° F (5° C – 40° C)	41° – 104° F (5° C – 40° C)	41° – 104° F (5° C – 40° C)
Operating Humidity	5% – 85%, non-condensing	5% – 85%, non-condensing	5% – 85%, non-condensing
Power	12 VDC 7 AMP	24 VDC 6.25 AMP	24 VDC 6.25 AMP
Dimensions	W = 16.7" (424mm) H = 13.8" (351mm) D = 3.0" (76mm)	W = 22.8" (579mm) H = 15.2" (386mm) D = 3.7" (94mm)	W = 24.3" (617mm) H = 16.2" (411mm) D = 3.9" (99mm)
Weight	16.1 lbs (7.3 kg)	16.6 lbs (7.5 kg)	19.4 lbs (8.8 kg)
Certifications	Medical Class I; UL 60601-1; CAN/CSA-C22.2 No. 601.1; EN60601-1 and EN60601-1-2; IEC 60601-1-2; FCC Part 15, Class B	Medical Class I; UL 60601-1; CAN/CSA-C22.2 No. 601.1; EN60601-1 and EN60601-1-2; IEC 60601-1-2; FCC Part 15, Class B	Medical Class I; UL 60601-1; CAN/CSA-C22.2 No. 601.1; EN60601-1 and EN60601-1-2; IEC 60601-1-2; FCC Part 15, Class B





Model:LMD-X3200MD 32" 4K Ultra HD LCD
Category: Monitor, Video
Subcategory: 26 - 32 inch, Medical Grade
Manufacturer:Sony Medical Systems
Catalog #: LMD-X3200MD

Atta 3 ID: MTR-92E20

Medical Grade, 32" 4K LCD video monitor with 3840 x 2160 resolution. Displays bright, high-quality 2D color images with true 4K resolution from endoscopic/laparoscopic cameras and other compatible medical imaging systems. Features HDR Gamma support with HLG, easy clean design, auto input select, compliant with BT.2020 color standards, and intuitive control panel with LED navigation. Inputs: Display Port, HDMI, and DVI. Contact Anne Bondulich for Sony Medical pricing anne.bondulich@sony.com or 201-930-7320.

General Production Detail

Arch Sig: Yes	Spatial Sig: No
Arch Code: 02-Movable Electrical	ADA: No
Critical Path: No	Antimicrobial: No
Type: Medical	Green: No
Furnish Install: Owner / Vendor	

Physical Requirements

Width (in.): 29.7500	Left (in.): N/A
Depth (in.): 3.1250	Right (in.): N/A
Height (in.): 18.8750	Front (in.): N/A
Product Weight (lbs): 26.1000	Back (in.): N/A
Max Operating Weight (lbs):	Top (in.): N/A
Mounting: Special	Bottom (in.): N/A
Specification notes:	

Structural Requirements

Seismic: Yes	OPA #:
	Pre-Approval:
Structural notes:	

Technology Requirements

Patient Data: No	Network:
Connection Type: Data	System:
Technical Connection notes:	

Electrical Requirements

Volts: 120	Watts: 163.0000
Hz: 60	Amps: 1.4000
KVA:	Circuit: No
UPS: N/A	Plug Type: Type B (Nema 5-15)
Emerg. Power: No	Plug Detail:
Other Volts Avail.: No	Electrical Phase: Single Phase
BTU/hr: N/A	
Electrical notes:	

Utility Requirements

Water - Cold: No	Gas Type:
Water - Hot: No	Gas Location:
Water - Treated: No	Medical Gas: No
Drain: No	Vent Type:
Drain Location:	Heat Dissipation: N/A
Steam: No	Dissipation Type: Actual
Vacuum - Den. / Med.: No/No	
Plumbing notes:	
Mechanical notes:	

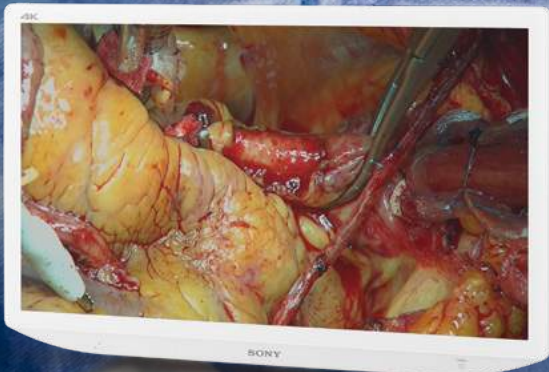
Locations

Level	Arch Dept	Room	Room #	Status	Item Qty	Ext Total Config
Level 7	Critical Care	Nurse Station	7512, 7712, 7811, 7813, 7814	New	1	---
Level 7	Progressive Care	Nurse Station	7711, 7812	New	1	---

Total: 7

SONY

Give your O.R.
a 4K makeover.



4K Ultra HD 32-inch* LCD Medical Monitor

LMD-X3200MD

*Viewable area, measured diagonally.

sony.com/medical

High Performance with O.R. Integration-Friendly Design

The LMD-X3200MD offers exceptional 4K Ultra HD video quality combined with an O.R. integration-friendly design at a value price. The 32-inch* (16:9) monitor provides amazing clarity and detail with a wide color gamut to produce sharp, natural 4K images.

With High Dynamic Range (HDR) technology and built-in image enhancement, these monitors deliver dramatic contrast with more realistic peaks of brightness, more accurate shadow detail, and deeper blacks, resulting in unparalleled image quality. Multiple inputs including 12G-SDI, HDMI, and Display-Port single-cable 4K inputs meet a variety of needs—perfect for O.R. Integration. View images from surgical endoscopes, laparoscopic cameras, and other compatible medical imaging systems in stunning, vivid 4K detail.

Stunning Picture Quality

4K Ultra HD Resolution

The 32-inch* (3840 x 2160) monitor displays 4K images with four times the detail of Full-HD.

*Viewable area, measured diagonally.

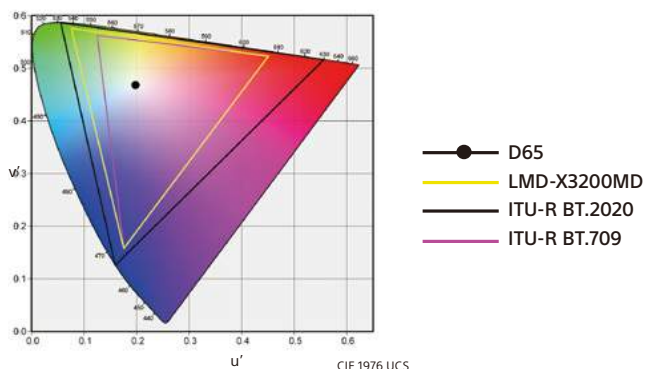


HD/SD to 4K Upscaling

Produces a sharp, natural 4K image, even when HD/SD images are upscaled to 4K.

Wide Color Gamut

The LCD panel and signal processing technology provide a wide color gamut, which complies with ITU-R Recommendation BT.2020.



High Dynamic Range (HDR) with Gamma Support

HDR technology produces images with a wide range of brightness levels, dramatic contrasts, and rich colors. To support HDR, the monitor offers HLG (Hybrid Log-Gamma) technology, which can be activated by selecting "HLG" in the monitor's "gamma setting mode" when receiving HLG signals from an HDR-compatible imaging system.

Anti-Reflection LCD Panel

The monitor's LCD panel features anti-reflection technology that greatly reduces glare in brightly lit O.R.'s by controlling the light reflection and minimizing its dispersement, allowing clear high contrast images to be displayed.

Advanced Features

Advanced Image Multiple Enhancer Technology (A.I.M.E.™)

Sony's unique A.I.M.E. technology enhances displayed images by adjusting the color, contrast, and visibility of dark areas. Various selectable enhancement modes and levels can be easily set via the front panel button. The status of A.I.M.E. ON/OFF is conveniently displayed in the upper left hand corner.

Selectable Modes

Structure Enhancement (Six Levels)

- Improves recognition of the object's outline
- Objects can be seen more clearly with increased sharpness

Color Enhancements (Eight Levels)

- Manipulate color tone differences to see objects more clearly

Shadow Enhancement (Six Levels)

- Improves visibility in dark areas to see more details



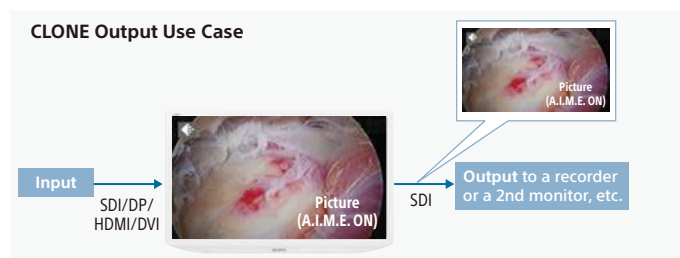
A.I.M.E. OFF



A.I.M.E. ON

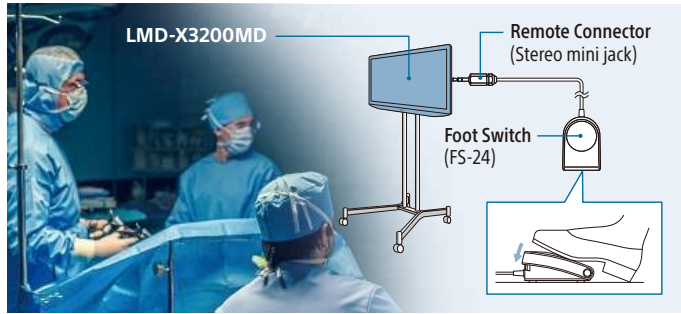
CLONE Output

The clone-output connector enables you to output the same image as the displayed image, such as A.I.M.E., picture-in-picture images, and more. This allows you to easily record the same content as you are viewing; this is particularly useful in educational applications. Unlike through-out, the same video images from the main monitor can be displayed on the second monitor.



Simple Remote Control via Stereo Mini

Using the optional FS-24 foot switch via the stereo mini jack allows you to switch the most frequently used menus – A.I.M.E. ON/OFF, Port A/B input select, PIP/POP, and flip patterns – even if you’re away from the monitor control panel.

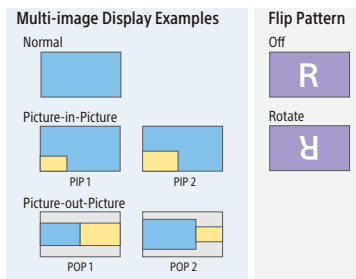


Auto Input Select Mode

If the main input signal is accidentally interrupted, the monitor’s input will switch automatically to the second port.

Variety of Display Modes

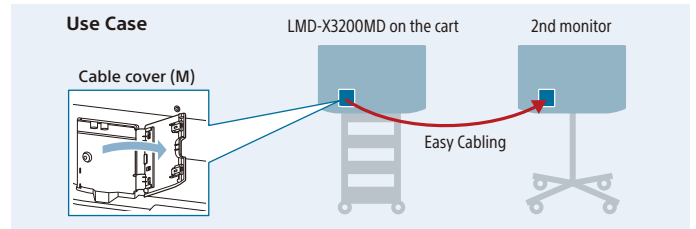
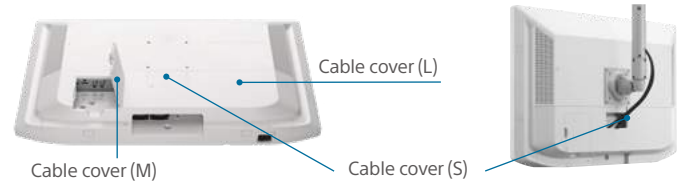
The LMD-X3200MD can display images from multiple sources quickly and easily from the menu in a variety of display modes – side-by-side, picture-in-picture (PIP), picture-out-picture (POP), and flip.



Easy to Install and Use

Installation-Friendly Cabling

VESA mounting enables flexible installation on stands, carts, walls or boom arms.



Ergonomic Design for Better Cleaning

The compact, ergonomic design and edge-to-edge flush front surface of the LMD-X3200MD allows for easy adjustment of the monitor position. The flat surface allows the O.R. team to easily spot and wipe down liquids and gels from the LCD panel, rear cover, and control buttons.

Flexible Installation

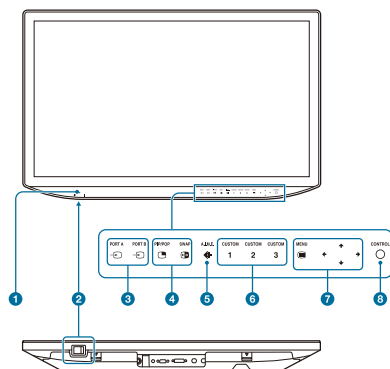
To suit different installation environments, the LMD-X3200MD monitor accepts two types of power supply: AC input and DC input using AC adaptor.**

** The AC-300MD AC adaptor is sold separately.

User-Friendly Control Panel and Wide Range of Connectors

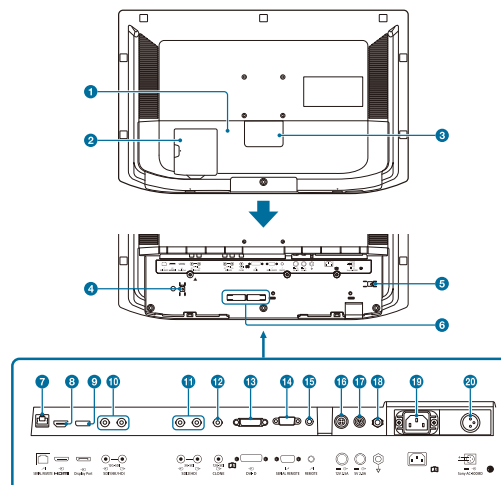
Various I/O connections are available to meet a wide variety of O.R. integration needs. Operation is simplified by the user-friendly control panel and LED backlighting highlights only active control buttons to guide the user.

Front Panel



- 1 Power indicator
- 2 (On/ Standby) switch
- 3 Input select buttons
- 4 Multi-image display setting buttons
- 5 A.I.M.E. button
- 6 CUSTOM buttons
- 7 OSD menu operation buttons
- 8 CONTROL button

Rear/Bottom Panel



- 1 Cable cover (L)
- 2 Cable cover (M)
- 3 Cable cover (S)
- 4 HDMI cable holder
- 5 AC power cord holder
- 6 Cable holder
- 7 SERIAL REMOTE connector (RJ-45)
- 8 HDMI input connector
- 9 Display-Port input connector
- 0 12G-SDI input/output connector (BNC type) SDI1(4K/HD)
- qa 3G-SDI input/output connector (BNC type) SDI2(HD)
- qs CLONE output connector (BNC type)
- qd DVI-D input connector
- qf SERIAL REMOTE connector (RS-232C) (Dsub 9-pin, female)
- qg REMOTE connector (Stereo mini jack)
- qh 12V 2.5A (DC output) connector
- qj 5V 2.0A (DC output) connector
- qk Equipotential terminal
- ql AC input connector
- w; DC input connector

Specifications

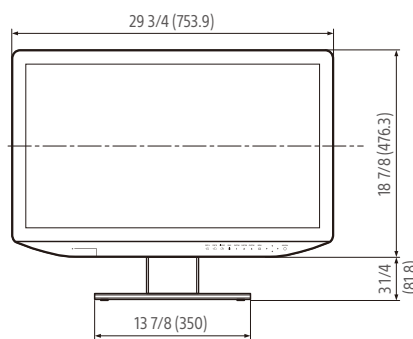
LMD-X3200MD	
Picture Performance	
Panel	TFT Active Matrix LCD
Picture Size (Diagonal)	31 3/8 inches (800.757 mm)
Effective Picture Size (H x V)	27 1/2 x 15 1/2 inches (697.92 x 392.58 mm)
Pixel Pitch	0.007 x 0.007 inches (0.182 x 0.182 mm)
Resolution (H x V)	3,840 x 2,160 pixels
Aspect Ratio	16:9
Pixel Efficiency	99.99%
Backlight	LED
Panel Technology	LCD with IPS
Luminance (Panel Specification)	500 cd/m ² (typical)
Contrast Ratio	1000:1
Colors	Approx. 1.07 billion colors
Viewing Angle (Panel Specification)	89°/89°/89°/89° (typical) (up/down/left/right, contrast > 10:1)
Gamma	1.8, 2.0, 2.2, 2.4, 2.6, DICOM, HLG
Input	
HDMI Input	HDMI connector (x1); HDMI 2.0b, HDCP2.2 correspondence
DVI-D Input	DVI-D connector (x1); TMDS single link, HDCP1.4 correspondence
SDI Input	3G-SDI input connector BNC type (x1); 12G-SDI input connector BNC type (x1)
Display-Port	Display-Port connector (x1); 1.2, SST, HDCP1.3 correspondence
Serial Remote (LAN)	D-sub 9-pin (RS-232C) (x1); RJ-45 modular connector (ETHERNET) (x1)
Remote	Stereo mini jack (x1)
AC Input	AC input connector (x1); 100 V to 240 V, 50/60 Hz
DC Input	DC input connector (x1); DC 26 V
Output	
SDI Output	3G-SDI output connector BNC type (x1) 12G-SDI output connector BNC type (x1)
CLONE Output	CLONE output connector BNC type (x1)
DC 5 V Output	Round-type 3-pin female (x1), up to 2 A
DC 12 V Output	Round-type 4-pin female (x1), up to 2.5 A
General	
Power Requirements	AC IN: 100 V - 240 V, 50/60 Hz, 1.7 A - 0.8 A DC IN: 26 V, 5.8 A (Supplied from AC adaptor)
Power Consumption	Approx. 163 W (max.)
Operating Temperature	32 °F to 95 °F (0 °C to 35 °C)
Operating Humidity	30% to 85% (no condensation allowed)
Storage/Transport Temperature	-4 °F to +140 °F (-20 °C to +60 °C)
Storage/Transport Humidity	20% to 90% (no condensation allowed)
Operating/Storage/Transport Pressure	700 hPa to 1,060 hPa
Dimensions (W x H x D) *	29 3/4 x 18 7/8 x 3 1/4 inches (753.9 x 476.3 x 79.2 mm) 26 3/4 x 21 x 12 5/8 inches (753.9 x 533.3 x 319 mm) (with optional SU-600MD stand)
Weight	26 lb 1 oz (11.8 kg) (Approx.) (without optional SU-600MD stand)
Mounting	3.937 inches x 3.973 inches (100 x 100 mm) VESA
Supplied Accessories	AC power cord (1) Plug holder for the supplied AC power cord (2) Before Using This Unit (1) CD-ROM (including the Instructions for Use) (1) Service Contact List (1) Screws for the VESA mount, M4 x 0.472 inches (4)

* This product is distributed to EU and US as a medical device and satisfied product safety standards (e.g. IEC 60601-1).

Dimensions

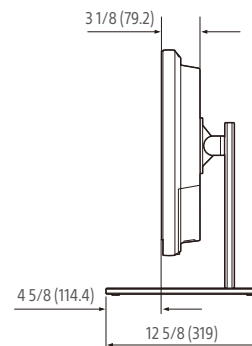
FRONT

When an optional stand SU-600MD is attached

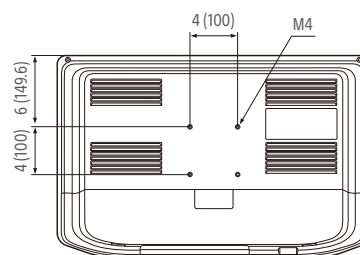


SIDE

When an optional stand SU-600MD is attached



REAR (VESA MOUNT INSTRUCTION)

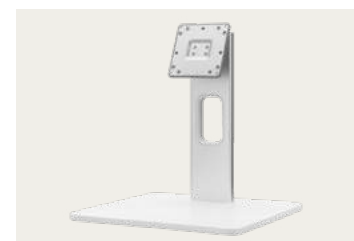


Unit: inches (mm)

Optional Accessories



AC-300MD
AC Adaptor



SU-600MD
Monitor Stand



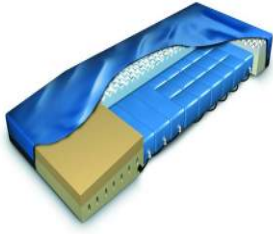
FS-24
Foot Switch

©2020 Sony Corporation. All rights reserved. Reproduction in whole or in part without written permission is prohibited. Features and specifications are subject to change without notice. All non-metric weights and measurements are approximate. Sony is a registered trademark of Sony Corporation. A.I.M.E. is a trademark of Sony Corporation. All other trademarks are the property of their respective owners. Please visit Sony's professional website or contact your Sony representative for specific models available in your region.

CAUTION: Federal (USA) law restricts this device to sale by or on the order of a physician or other appropriately licensed medical professional.

CAUTION: See product labeling for indications, contraindications, warnings, cautions, and directions for use.

Sony Electronics Inc.
115 West Century Road
Paramus, NJ 07652
Inventory #: ME-4077



Model: AtmosAir APOD 25 Mattress (Navy, 35x84 in.)
Category: Mattress
Subcategory: Pressure Reduction, Bed
Manufacturer: Arjo Inc
Catalog #: ADMSONB35080NES

Atta 3 ID: MTS-6B624

Bed pressure reduction mattress. Features: Navy, 35 x 84 inch mattress size, water resistant, moisture vapor permeable cover with multi-directional stretch capabilities, 25 individual air pods and 4 horizontal air cylinder. Sloped heel section, enclosed system and convoluted soft foam top layer. Self Adjusting Technology (SAT). Optional AtmosAir pump (cat. #KA9PUMP) sold separately.

General Production Detail

Arch Sig: No	Spatial Sig: Yes
Arch Code: 03-Movable Non-Electrical	ADA: No
Critical Path: No	Antimicrobial: Yes
Type: Medical	Green: No
Furnish Install: Owner / Owner	

Physical Requirements

Width (in.): 37.0000	Left (in.): N/A
Depth (in.): 84.0000	Right (in.): N/A
Height (in.): 7.0000	Front (in.): N/A
Product Weight (lbs): 33.0000	Back (in.): N/A
Max Operating Weight (lbs):	Top (in.): N/A
Mounting: Special	Bottom (in.): N/A
Specification notes:	

Structural Requirements

Seismic: No	OPA #:
	Pre-Approval:
Structural notes:	

Technology Requirements

Patient Data: No	Network:
Connection Type: N/A	System:
Technical Connection notes:	

Electrical Requirements

Volts:	Watts: N/A
Hz: N/A	Amps: N/A
KVA:	Circuit: No
UPS: N/A	Plug Type: N/A
Emerg. Power: No	Plug Detail:
Other Volts Avail.: No	Electrical Phase: N/A
BTU/hr: N/A	
Electrical notes:	

Utility Requirements

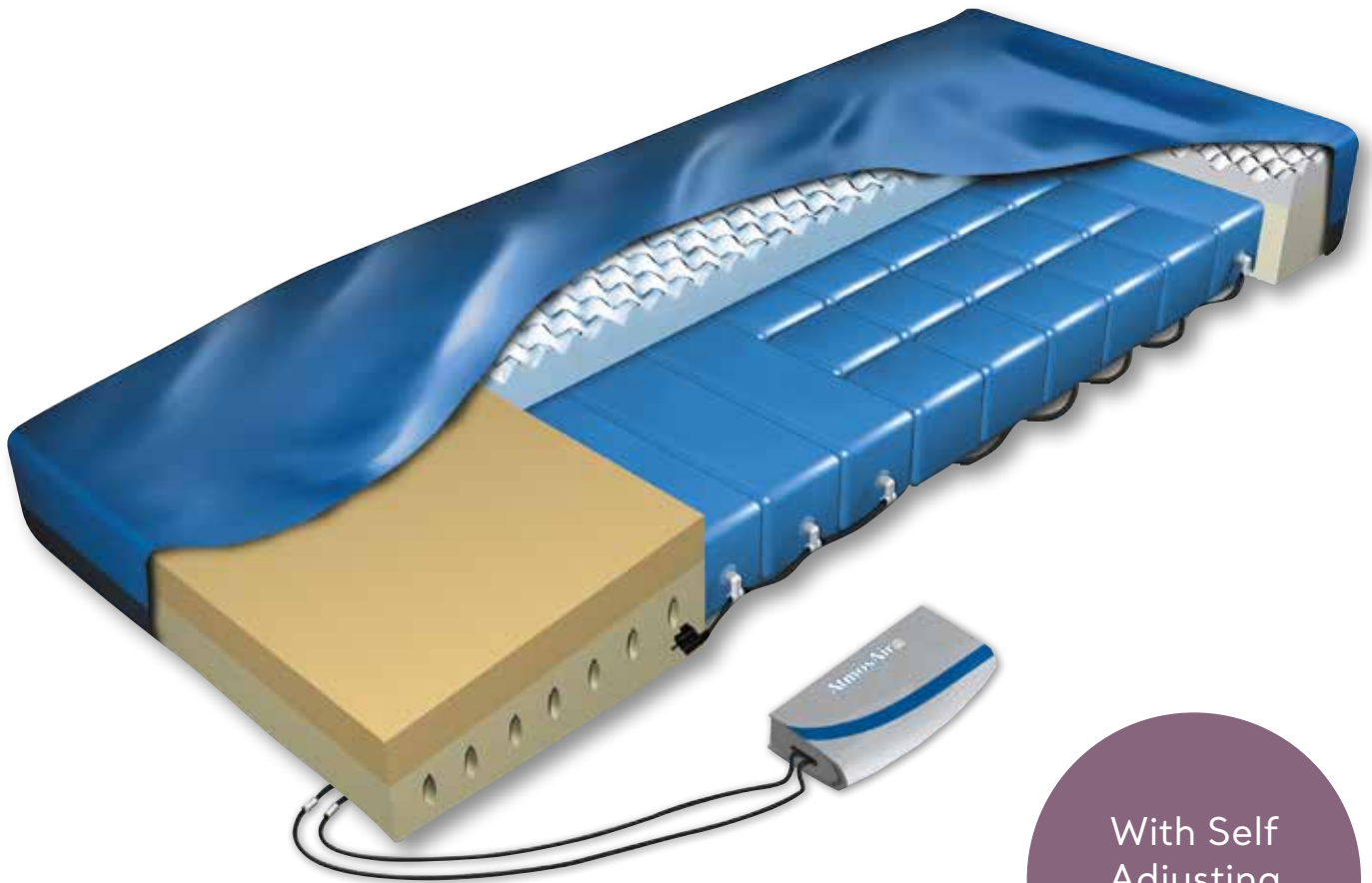
Water - Cold: No	Gas Type:
Water - Hot: No	Gas Location:
Water - Treated: No	Medical Gas: No
Drain: No	Vent Type:
Drain Location:	Heat Dissipation: N/A
Steam: No	Dissipation Type: Actual
Vacuum - Den. / Med.: No/No	
Plumbing notes:	
Mechanical notes:	

Locations

Level	Arch Dept	Room	Room #	Status	Item Qty	Ext Total Config
Level 7	Progressive Care	Progressive Care	701, 702, 703, 704, 705, 706, 707, 708, 709, 710, 711, 712	New	1	\$10,800.00
Level 7	Critical Care	Critical Care - Patient of Size	720	New	1	\$900.00

Total: 13

AtmosAir® APOD 25



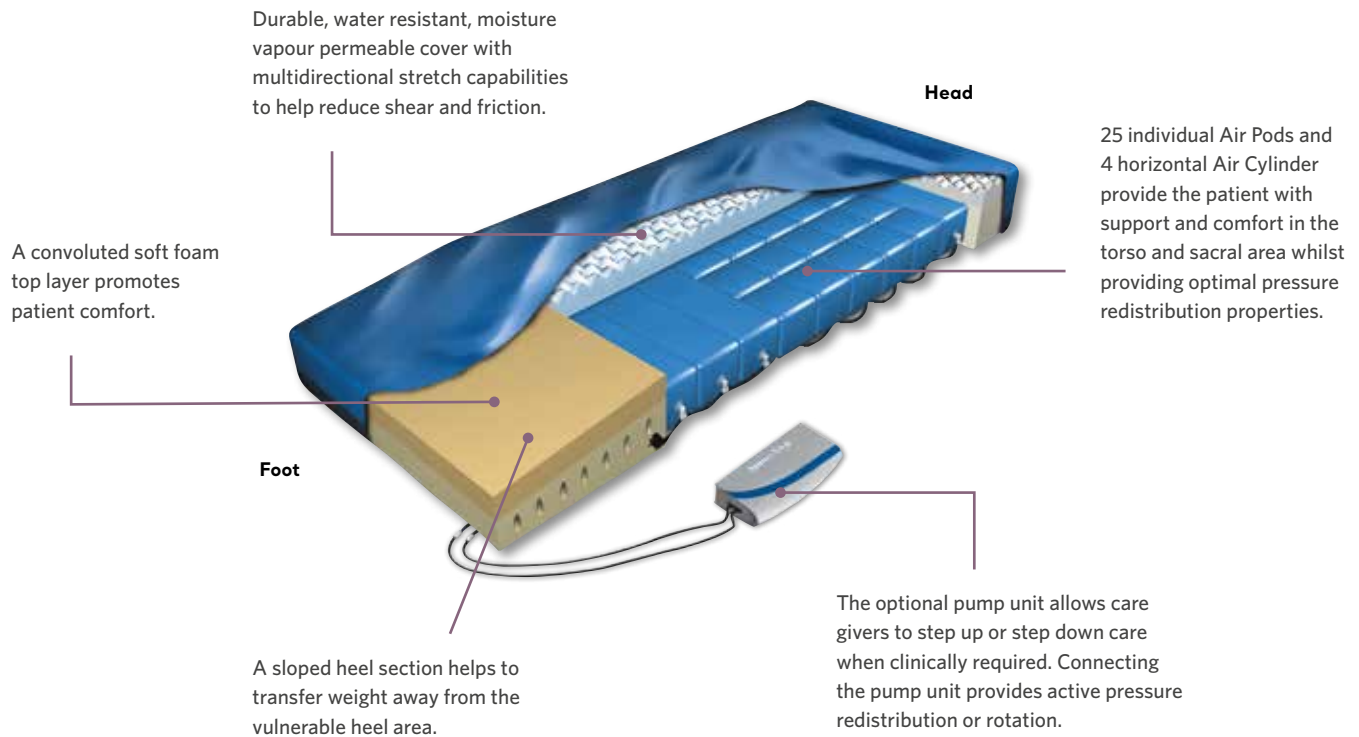
With Self
Adjusting
Technology

Introducing AtmosAir APOD 25

AtmosAir APOD 25 is a mattress replacement system (MRS) combining the benefits of a high specification hybrid mattress, with patented Self Adjusting Technology™ (SAT) and the option of a powered pump unit for active pressure redistribution or rotation.

AtmosAir APOD 25 providing reactive or active therapy

Delivering a complete solution



Pressure injuries present multiple challenges

When a patient develops a pressure injury, it can cause many unwanted complications for a facility including:

- Increased wound care expenses¹
- Poor quality initiative performance²
- Increased use of nursing resources and time³
- Poor patient outcomes⁴
- An increased length of stay⁵

Placing a patient onto a therapeutic surface can help to address pressure injury concerns as part of a holistic plan of care, but not all hybrid systems are created equally.

Self-adjusting technology: the SAT difference

Using non-powered Self Adjusting Technology, the AtmosAir APOD 25 delivers reactive pressure redistribution at a constant low pressure even when transporting a patient or during electrical power outages.

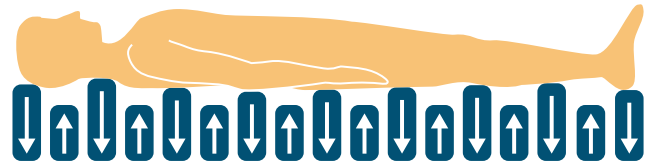
SAT is a unique system of individual air chambers with self-regulating valves that continuously and automatically regulate internal air pressures for consistent pressure redistribution. Open to the atmosphere, SAT provides optimised weight displacement without the need for air reservoirs, or manual adjustments.



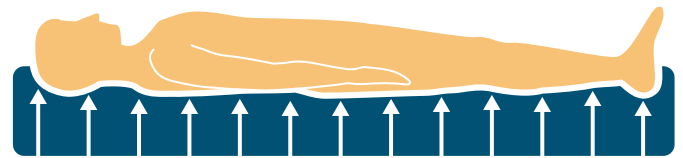
Providing choice – reactive or active therapy

Building on the very successful AtmosAir range of support surfaces, the AtmosAir Apod 25 provides superior levels of immersion and envelopment for Reactive pressure redistribution.⁶ Once connected to the optional pump unit, the system operates as an Active therapy support surface providing a 10 minute, 1 in 2 cell cycle or provides approximately 20° platform rotation.

Designed for optimal therapy and comfort for the patient, the AtmosAir APOD 25 provides the option for caregivers to step up or step down care when clinically required. The system is suitable for the prevention and/or management of all categories⁷ of pressure injuries when combined with an individualised, comprehensive pressure injury protocol.



Reactive support surfaces



Active support surfaces

- **Customisable care**

The AtmosAir APOD 25 MRS can be used with or without the pump. Custom sizes are available to ensure the correct fit for a variety of medical bed frames.

- **High weight limit across the range**

The weight limit on AtmosAir APOD 25 and the AtmosAir 300 cushion is 227 kg (500 lbs) and is consistent across the AtmosAir range, facilitating consistency of care, reduced staff training time and ease of use across a busy clinical setting and supporting the needs of the heavier patients.

- **Cover**

The cover is multi-stretch, latex free with a high Moisture Vapour Transmission Rate compliant with EPUAP & NPUAP⁷ guidelines.

- **Cost effective and efficient**

The cost efficiencies and clinical benefits of hybrid mattresses are increasingly recognized, reflected in the global success of the AtmosAir 9000 range and have been associated with reduced set up time and staff empowerment.⁸ The modular construction and component parts are all replaceable, maximising product life, reducing costs and minimizing environmental impact.

- **Infection control**

Antimicrobial properties inherent in both the foam and the cover, along with optional welded seams to reduce the risk of fluid ingress. Tubing is sealed with a grommet allowing cover to remain fully closed when pump is attached.

The AtmosAir APOD 25 addresses several aspects of pressure injury prevention and management protocol systems; all other aspects of care should be considered by the prescribing clinician. If existing wounds do not improve or the patient's condition changes the overall therapy regimen should be reviewed by the prescribing clinician. The above are guidelines only and should not replace clinical judgement.

Specifications*

PUMP SPECIFICATIONS*	
Power	120v / 60Hz (EU 220V / 50 Hz)
Output	7 liters per minute
Cycle Time	5 minutes
Weight	4.1 lbs (1.9 kg)

PRODUCT SPECIFICATIONS*	
Length	75" - 84" by 1" (1905 mm - 2133.6 mm)
Width	32" - 37" by 0.5" (813 mm - 940 mm)
Depth	7" (177.8 mm)
Optional Bolsters	2" high with 18" cutout (50.8 mm with 457.2 mm cutout)
Anti-microbial	Inherent in both the cover and foam
Maximum Patient Weight**	500 lbs** (226.8 kg)

AtmosAir Apod Range

ATMOSAIR APOD 25	PART NUMBER ⁹
AtmosAir APOD 25 mattress, Reliant IS ¹⁰ Cover	ADMRLNB[WWWLL]TCS
AtmosAir APOD 25 mattress, Soflux Cover	ADMSONB[WWWLL]NCS

ATMOSAIR APOD 25A ¹⁰	PART NUMBER ⁹
AtmosAir APOD 25A mattress with pump, Reliant IS ¹⁰ Cover	DXKRLNB[WWWLL]TCS
AtmosAir APOD 25A mattress with pump, Soflux Cover	DXKSONB[WWWLL]NCS
AtmosAir APOD 25A mattress only, Reliant IS ¹⁰ Cover	DXMRLNB[WWWLL]TCS
AtmosAir APOD 25A mattress only, Soflux Cover	DXMSONB[WWWLL]NCS

ATMOSAIR APOD 25 AR ¹¹	PART NUMBER ⁹
AtmosAir APOD 25AR mattress with pump, Reliant IS ¹⁰ Cover	DRKRLNB[WWWLL]TCS
AtmosAir APOD 25AR mattress with pump, Soflux Cover	DRKSONB[WWWLL]NCS
AtmosAir APOD 25AR mattress only, Reliant IS ¹⁰ Cover	DRMRLNB[WWWLL]TCS
AtmosAir APOD 25AR mattress only, Soflux Cover	DRMSONB[WWWLL]NCS

ATMOSAIR PUMP	PART NUMBER
AtmosAir Pump	KA9PUMP
AtmosAir Pump tube set	KA9PUMPASMBLY
AtmosAir Pump filter cap	KA9EZPMPFILCAP
AtmosAir Pump filter	KA9EZPMPFILTER

*Specifications subject to change without notice
 ** Consult frame manufacturer regarding individual frame capacity.

References

- Dealey C., Posnett J., Walker A., (2012) The cost of pressure ulcers in the United Kingdom. *Journal of Wound Care* (6): 261-2, 264, 266
- Weston M., Roberts D., (2013) The Influence of Quality Improvement Efforts on Patient Outcomes And Nursing Work: A Perspective from Chief Nursing Officers at Three Large Health Systems OJIN: The Online Journal of Issues in Nursing Vol. 18, No. 3, Manuscript 2.
- Gill E., *BMJ Qual Improv Report* 2015;4: doi:10.1136/bmjquality.u205599.w3015
- Health and social care directorate, The Scottish Government (2016, September) "Quality Improvement and Measurement", Retrieved 1st July, 2017 from <http://www.gov.scot/Resource/0049/00492311.pdf>
- Graves N., Birrell F., Whitby M., Effect of pressure ulcers on length of hospital stay. *Infect Control Hosp Epidemiol.* 2005 Mar;26(3):293-7.
- ArjoHuntleigh data on file
- National Pressure Ulcer Advisory Panel, European Pressure Ulcer Advisory Panel and Pan Pacific Pressure Injury Alliance. *Prevention and Treatment of Pressure Ulcers: Clinical Practice Guideline.* Emily Haesler (Ed). Cambridge Media: Osbourne Park, Western Australia; 2014
- Fletcher J., Clark M., Tite, M *Wounds UK*, 12, 3. 2016
- WWW represents mattress width in 0.5" increments (from 32-38"); LL represents mattress length in 1" increments (from 74-84")
- A - Alternating
- AR - Alternating and rotating

February 2018 Only Arjo designed parts, which are designed specifically for the purpose, should be used on the equipment and products supplied by Arjo. As our policy is one of continuous development we reserve the right to modify designs and specifications without prior notice. ® and ™ are trademarks belonging to the Arjo group of companies.
 © Arjo, 2018

At Arjo, we are committed to improving the everyday lives of people affected by reduced mobility and age-related health challenges. With products and solutions that ensure ergonomic patient handling, personal hygiene, disinfection, diagnostics, and the effective prevention of pressure injury and venous thromboembolism, we help professionals across care environments to continually raise the standard of safe and dignified care. Everything we do, we do with people in mind.

Arjo AB · Hans Michsensgatan 10 · 211 20 Malmö · Sweden · +46 10 335 4500

www.arjo.com





Model: 71641-M Desk Charger Set 3.5 V Halogen
Category: Oto/Ophthalmoscope Set
Subcategory: Desktop
Manufacturer: Baxter - Hillrom, Welch Allyn, Inc.
Catalog #: 71641-M

Atta 3 ID: OPH-7B8D6

Oto/Ophthalmoscope 3.5 V Halogen HPX Diagnostic Set with universal desk charger. Including coaxial ophthalmoscope (#11720), MacroView otoscope (#23810), rechargeable 60 minute power handles, 2 Nickel-Cadmium batteries (#72200).

General Production Detail

Arch Sig: No	Spatial Sig: No
Arch Code: 02-Movable Electrical	ADA: No
Critical Path: No	Antimicrobial: No
Type: Medical	Green: No
Furnish Install: Owner / Owner	

Physical Requirements

Width (in.): 7.2500	Left (in.): N/A
Depth (in.): 3.5000	Right (in.): N/A
Height (in.): 8.0000	Front (in.): N/A
Product Weight (lbs): 4.0000	Back (in.): N/A
Max Operating Weight (lbs):	Top (in.): N/A
Mounting: Counter/Cart/Table/Pole	Bottom (in.): N/A
Specification notes:	

Structural Requirements

Seismic: No	OPA #:
	Pre-Approval:
Structural notes:	

Technology Requirements

Patient Data: No	Network:
Connection Type: N/A	System:
Technical Connection notes:	

Electrical Requirements

Volts: 120	Watts: N/A
Hz: 60	Amps: 0.5000
KVA:	Circuit: No
UPS: N/A	Plug Type: Type B (Nema 5-15)
Emerg. Power: No	Plug Detail:
Other Volts Avail.: Yes	Electrical Phase: Single Phase
BTU/hr: N/A	
Electrical notes:	

Utility Requirements

Water - Cold: No	Gas Type:
Water - Hot: No	Gas Location:
Water - Treated: No	Medical Gas: No
Drain: No	Vent Type:
Drain Location:	Heat Dissipation: N/A
Steam: No	Dissipation Type: Actual
Vacuum - Den. / Med.: No/No	
Plumbing notes:	
Mechanical notes:	

Locations

Level	Arch Dept	Room	Room #	Status	Item Qty	Ext Total Config
Level 7	Progressive Care	Nurse Station	7711, 7812	New	1	\$2,388.00
Level 7	Critical Care	Nurse Station	7512, 7712, 7811, 7813, 7814	New	1	\$5,970.00

Total: 7

Universal Charger and Desk Sets

Compact, portable unit provides convenient drop-in recharging of desk/well-charger instrument handles.

- Colored LEDs indicate power to the unit and that handles are charging
- Advanced circuitry for constant automatic safe charging and optimum lamp performance and life
- Compact for convenience and mobility
- Optional wall mount kit for permanently mounting to wall or cabinet
- Optional specula tray conveniently stores swabs, otoscope specula, and cures
- Accepts 3.5 V or 2.5 V well-rechargeable NiCad handles, Lithium Ion Handle and PocketScope™ handles (only PocketScope™ handles require an adapter)



71140
Universal Desk Charger for
Lithium Ion and NiCad Handles

Universal Charger and Desk Sets

- 71140** Universal Desk Charger for Lithium Ion and NiCad Handles
- 71630** Desk Charger with 2 NiCad Handles
- 71640** Desk Charger with 2 Lithium Ion Handles
- 79290** Universal Desk Charger with Two Adapter Sleeves (for PocketScope)



71821-MP
Desk Charger with
2 NiCad Handles
(Showing 11820, 23810)

Universal Desk Charger Sets

- 71510-PSM** Desk Set with PanOptic™ Ophthalmoscope, Pneumatic Otoscope and two Lithium Ion Handles
- 71641-M** Desk Set with Coaxial Ophthalmoscope, MacroView™ Otoscope and NiCad Handles
- 71641-MS** Desk Set with Coaxial Ophthalmoscope, MacroView Otoscope and Lithium Ion Handle
- 71811-MP** Desk Set with PanOptic Ophthalmoscope, MacroView Otoscope and NiCad Handles
- 71811-MPS** Desk Set with PanOptic Ophthalmoscope, MacroView Otoscope and Lithium Ion Handles
- 71821-MP** Desk Set with PanOptic Ophthalmoscope with Corneal Viewing Lens, MacroView Otoscope and two NiCad Handles
- 92850** 2.5 V Desk Set with Pocket Ophthalmoscope/Otoscope, Handles and Adapter Sleeve and Hard Case
- 92851** 2.5 V Desk Set with Pocket Ophthalmoscope/Otoscope, Handles and Adapter Sleeve and Soft Case



71249
PocketScope Adapter Sleeve
for Universal Desk Charger

Universal Charger and Desk Sets: Accessories

- 71420** Wall Mount Kit for Desk Charger
- 71310** Specula Tray
- 71249** PocketScope Adapter Sleeve

Model: Profile Series 1.1 cu. ft. Capacity, Stainless
Category: Oven
Subcategory: Domestic, Microwave, Countertop
Manufacturer: GE Appliances
Catalog #: PEM31SFSS

Atta 3 ID: OVN-217F0



Countertop microwave oven. Stainless steel door and gray case color, 1.1 cu ft capacity, 800 watts. Sensor cooking controls, weight and time defrost, turntable on/off, child lockout, timer, electronic touch controls, 10 power levels. Trim kit or hanging kit optional. ADA Compliant

General Production Detail

Arch Sig: Yes **Spatial Sig:** No
Arch Code: 02-Movable Electrical **ADA:** Yes
Critical Path: No **Antimicrobial:** No
Type: Non-Medical **Green:** No
Furnish Install: Owner / Owner

Electrical Requirements

Volts: 120 **Watts:** 1200.0000
Hz: 60 **Amps:** 10.5000
KVA: **Circuit:** Yes
UPS: N/A **Plug Type:** Type B (Nema 5-15)
Emerg. Power: No **Plug Detail:**
Other Volts Avail.: No **Electrical Phase:** Single Phase
BTU/hr: N/A
Electrical notes:

Physical Requirements

Width (in.): 24.0000 **Left (in.):** 3.0000
Depth (in.): 12.8750 **Right (in.):** 3.0000
Height (in.): 12.1250 **Front (in.):** N/A
Product Weight (lbs): 29.0000 **Back (in.):** N/A
Max Operating Weight (lbs): **Top (in.):** 3.0000
Mounting: Counter/Cart/Table/Pole **Bottom (in.):** 1.0000
Specification notes:

Utility Requirements

Water - Cold: No **Gas Type:**
Water - Hot: No **Gas Location:**
Water - Treated: No **Medical Gas:** No
Drain: No **Vent Type:**
Drain Location: **Heat Dissipation:** N/A
Steam: No **Dissipation Type:** Actual
Vacuum - Den. / Med.: No/No
Plumbing notes:
Mechanical notes:

Structural Requirements

Seismic: No **OPA #:**
Structural notes: **Pre-Approval:**

Technology Requirements

Patient Data: No **Network:**
Connection Type: N/A **System:**
Technical Connection notes:

Locations

Level	Arch Dept	Room	Room #	Status	Item Qty	Ext Total Config
Level 7	Patient Care Support	Nourishment	7514, 7714, 7817	New	1	\$1,437.00
Level 7	Patient Care Support	Staff Lounge	7518	New	1	\$479.00

Total: 4

PEM31SF/EF/BM/FM

GE Profile™ Series 1.1 Cu. Ft. Countertop Microwave Oven

DIMENSIONS AND INSTALLATION INFORMATION (IN INCHES)

EXTERIOR DIMENSIONS* (IN INCHES)	
W x H x D	24 x 12-1/8 x 12-7/8

*Height includes feet. Depth does not include handle and excludes receptacle plug, + 1/2"-3/4".

OPTIONAL ACCESSORY TRIM KITS FOR GE MICROWAVE OVENS: For a custom built-in appearance, these kits allow built-in installation of the countertop microwave oven into a wall or cabinet alone, and is U. L. approved for installation over a GE single electric wall oven. These kits should not be installed over a gas wall oven.

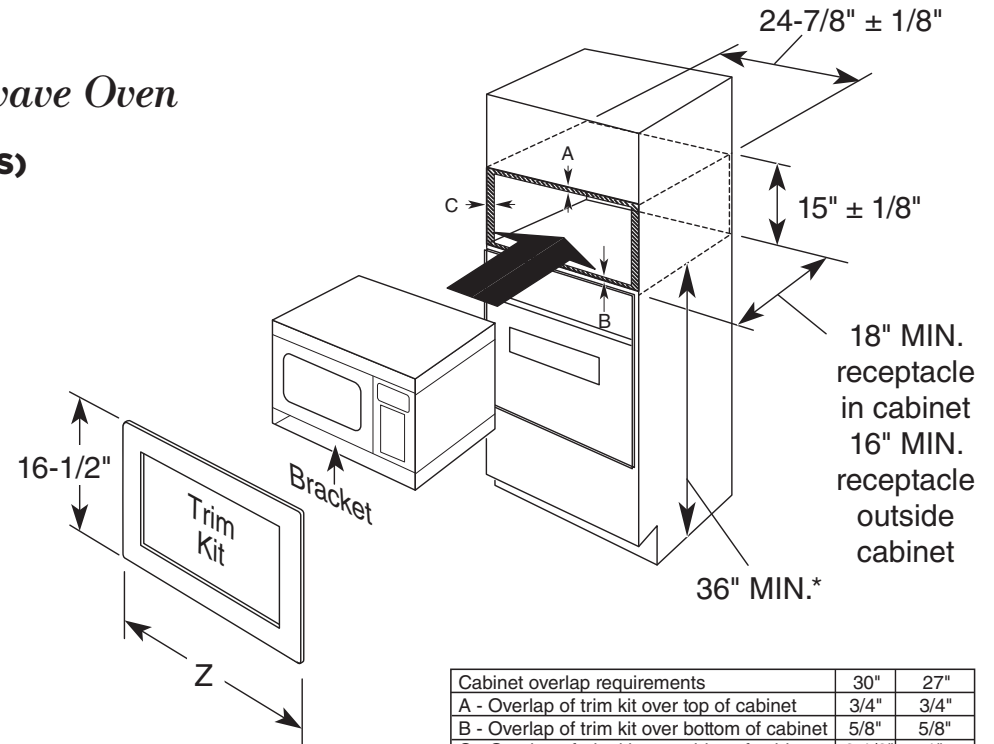
ACCESSORY TRIM KIT	"Z"	MAX HEIGHT	TRIM KIT
27" Deluxe	26-7/8"	16-1/2"	JX827SFSS
30" Deluxe	29-7/8"	16-1/2"	JX830SFSS

INSTALLATION INFORMATION: This information is not intended to be used for installing unit described. Before installing, consult installation instructions packed with product for current dimensional data.

NOTE: UNDERCABINET INSTALLATION

Install countertop microwave ovens in just a few easy steps with the mounting template, which provides all the necessary measurements. Installation may vary depending on cabinets. These microwave ovens can be installed on practically any wood or metal cabinets.

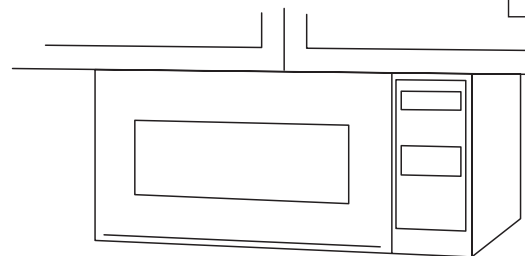
NOTE: 120V, 60-cycle, grounded power receptacle location optional on back within cabinet opening.



Cabinet overlap requirements	30"	27"
A - Overlap of trim kit over top of cabinet	3/4"	3/4"
B - Overlap of trim kit over bottom of cabinet	5/8"	5/8"
C - Overlap of trim kit over sides of cabinet	2-1/2"	1"

*For ADA compliance, the microwave must be installed no higher than 37-7/8".

Note:
Allow an additional inch of clearance beyond trim frame on all sides



Not to be used over a thermal oven.
Undercabinet mounting kit Pub. No. JXA019K for Spacemaker II microwave oven models available at additional cost.



Specification Revised 12/17

PEM31SF/EF/BM/FM

GE Profile™ Series 1.1 Cu. Ft. Countertop Microwave Oven

FEATURES AND BENEFITS

1.1 cu. ft. capacity – 800 Watts (IEC-705 test procedure)

Sensor cooking controls – Automatically adjusts time and power

Optional built-in trim kit – Custom appearance and built-in convenience

Optional hanging kit – Frees up counter space

Weight and time defrost – Simply enter the weight of the food, and the oven automatically sets the optimal defrosting time and power level or set your desired time or defrosting

Turntable on/off – Controls turntable operation

Control lockout – Helps prevent accidental activation

Add 30 seconds – Add 30 seconds of microwave cooking time

Kitchen timer – Minute timer helps keep you on track

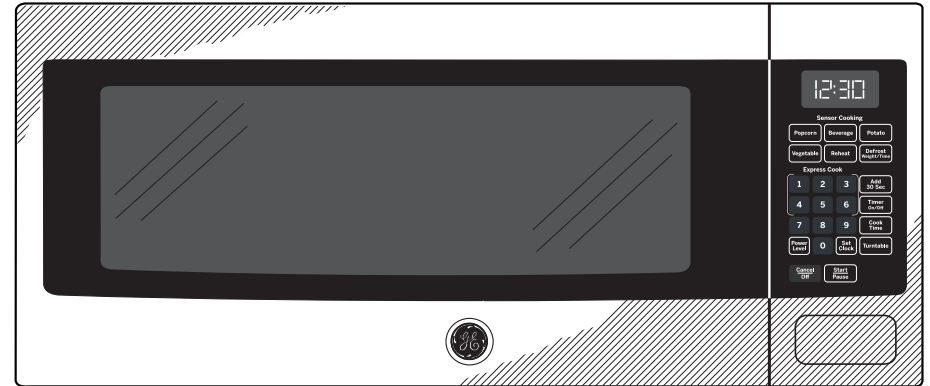
Timer on/off – Minute timer helps keep you on track

Model PEM31SFSS – Stainless steel

Model PEM31EFES – Slate

Model PEM31BMTS – Black stainless

Model PEM31FMDS –Black slate



Specification Revised 12/17



Model:Kangaroo OMNI w/ Pole Clamp
Category: Pump
Subcategory: Enteral
Manufacturer:Cardinal Health - Medical
Catalog #: 385400

Atta 3 ID: PMP-8E91F

Enteral pump. Features: 6.8 x 2.6 x 5.5 in., 16 psi maximum occlusion pressure, Latex-Free Thermoplastic Urethane soft touch coating, flame resistant Polyester/Polycarbonate blend housing, 54 to 68 dBA at 1 meter high priority alarm volume, 53 to 67 dBA at 1 meter medium priority alarm volume, 46 to 61 dBA at 1 meter low priority alarm volume, transport, storage, and operating atmospheric pressure range from 62 kPA to 106 kPA. 4000 m maximum altitude, 25 psi maximum infusion pressure, Class II, Internally-powered Equipment, Type BF degree of protection against electrical shock, continuous or intermittent feed, pump is water-jet proof (IP26) per IEC 60529 and AC adapter has no protection against fluid ingress (IPX0). Lithium-Ion Rechargeable Battery Pack.

General Production Detail

Arch Sig: No	Spatial Sig: No
Arch Code: 02-Movable Electrical	ADA: No
Critical Path: No	Antimicrobial: No
Type: Medical	Green: No
Furnish Install: Owner / Owner	

Physical Requirements

Width (in.): 6.8000	Left (in.): N/A
Depth (in.): 2.6000	Right (in.): N/A
Height (in.): 5.5000	Front (in.): N/A
Product Weight (lbs): 1.5000	Back (in.): N/A
Max Operating Weight (lbs):	Top (in.): N/A
Mounting: Counter/Cart/Table/Pole	Bottom (in.): N/A
Specification notes:	

Structural Requirements

Seismic: No	OPA #:
	Pre-Approval:
Structural notes:	

Technology Requirements

Patient Data: No	Network:
Connection Type: Data	System:
Technical Connection notes:	

Electrical Requirements

Volts: 120	Watts: 120.0000
Hz: 60	Amps: 1.0000
KVA:	Circuit: No
UPS: N/A	Plug Type: Type B (Nema 5-15)
Emerg. Power: No	Plug Detail:
Other Volts Avail.: Yes	Electrical Phase: Single Phase
BTU/hr: N/A	
Electrical notes:	

Utility Requirements

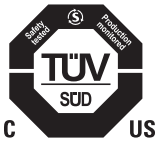
Water - Cold: No	Gas Type:
Water - Hot: No	Gas Location:
Water - Treated: No	Medical Gas: No
Drain: No	Vent Type:
Drain Location:	Heat Dissipation: N/A
Steam: No	Dissipation Type: Actual
Vacuum - Den. / Med.: No/No	
Plumbing notes:	
Mechanical notes:	

Locations

Level	Arch Dept	Room	Room #	Status	Item Qty	Ext Total Config
Level 7	Patient Care Support	Equipment Storage (East)	7501	New	5	\$5,980.00
Level 7	Patient Care Support	Equipment Storage (West)	7822	New	5	\$5,980.00

Total: 10

Specifications



Medical Equipment

Kangaroo OMNI™ Enteral Feeding Pump

- (1) Classified with respect to electrical shock, fire, and mechanical hazards in accordance with ES60601-1 (3rd edition) and UL60601-1 (2nd edition).
- (2) Classified with respect to electrical shock, fire, mechanical and other specified hazards in accordance with CAN/CSA C22.2 No. 601.1

Type Infusion Device

Volumetric Enteral

Kangaroo OMNI™ Enteral Feeding Pump Pumping Mechanism

Rotary Peristaltic

Lifetime of Device

Kangaroo OMNI™ Enteral Feeding Pump, and accessories are designed to provide a minimum of 5 years of service life.

Feeding Sets

Only Kangaroo OMNI™ Feeding Sets are designed to operate with the Kangaroo OMNI™ Enteral Feeding Pump.

Feeding Enteral Fluids Delivery Rate

Standard Feeding Mode: 1-400 mL/hr in 1 mL increments

Bolus Max Rate (Standard Mode Only): 800 mL/hr

Maximum Unintended Bolus at the 50 mL/hr Intermediate Rate: 0.312 mL

Thick Formula Mode: 1-200 mL/hr in 1 mL increments

Flush Rate: 875 mL/hr

Priming Rate

875 ± 90 mL/hr

Feed Volume

1 - 3000 mL in 1 mL increments

Flush Volume

1-500 mL in 1 mL increments

Number of Feeds

1 - 99

Feed/Flush Intervals

1-24 hours in 1-hour increments

Accuracy

Standard Formula Kangaroo OMNI™ Feeding Sets Standard Rates: ± 5% or 0.5 mL/hr, whichever is larger.

Note: The amount of water collected in 30 minutes will be half of the value programmed for the hourly flow rate, within ± 5%, or 0.5 mL, whichever is larger.

Rate Set Amount Expected in 30 Minutes: 125 mL/hr 59.37 mL – 65.63 mL

Standard Formula Kangaroo OMNI™ Feeding Sets (Bolus Max Rate): ±10% or 1.0 mL/hr, whichever is larger.

Thick Formula Kangaroo OMNI™ Feeding Sets: ±10% or 1.0mL/hr, whichever is larger.

Specifications

Note: The amount of water collected in 30 minutes will be half of the value programmed for the hourly flow rate, within $\pm 10\%$, or 1.0 mL, whichever is larger.

Rate Set Amount Expected in 30 Minutes: 125 mL/hr 56.25 mL – 68.75 mL

Flush Accuracy (all Kangaroo OMNI™ Feed/Flush Sets) : $\pm 10\%$

It is commonly understood that viscosity of fluid can impact delivery performance and typically thicker fluids will under deliver when compared to water.

The top of the fluid column should be at a starting height of 25.4 cm (10 in.) ± 0.76 cm (0.3 in.) above the top of Kangaroo OMNI™ Enteral Feeding Pump. Accuracy testing is run at a room temperature of $22^{\circ}\text{C} \pm 2^{\circ}\text{C}$ ($72^{\circ}\text{F} \pm 3^{\circ}\text{F}$), using a new Kangaroo OMNI™ Feeding Set for no longer than the recommended hours of usage. Confirmation of accuracy is conducted per the IEC 60601-2-24 standard for Infusion Devices, as applicable for enteral feeding. For more information on Kangaroo OMNI™ Enteral Feeding Pump accuracy, see Appendix A.

Occlusion Pressure

Maximum Occlusion Pressure: 16 psi (110 kPa)

Dimensions

Height: 14.0 cm (5.5 in.) Width: 17.2 cm (6.8 in.) Depth: 6.6 cm (2.6 in.)

Weight

0.53 kg (1.2 lbs), 0.70 kg (1.5 lbs) with pole clamp

Material

Soft-Touch Coating: Latex-Free Thermoplastic Urethane

Kangaroo OMNI™ Enteral Feeding Pump Housing: Flame resistant Polyester/Polycarbonate blend

High Priority Alarm Volume

54 to 68 dBA at 1 meter

Medium Priority Alarm Volume

53 to 67 dBA at 1 meter

Low Priority Alarm Volume

46 to 61 dBA at 1 meter

Operating Temperature for All System Components

5° to 40° C (41° to 104° F)

Operating Humidity for All System Components

15% to 93% R.H. non-condensing

Packaged Storage and Transport Temperature for All System Components

0° to 50° C (32° to 122° F) <93% R.H. non-condensing

Unpackaged Storage and Transport Temperature for All System Components

Store between 0° to 50° C (32° F to 122° F) at < 93% R.H. (non-condensing); Excursions permitted to -25° C for up to 24 hours.

Kangaroo OMNI™ Enteral Feeding Pump requires 25 minutes to warm up to its normal operating temperature from low storage temperatures.

Kangaroo OMNI™ Enteral Feeding Pump requires 6 minutes to cool down to its normal operating temperature from high storage temperatures.

Do not operate until Kangaroo OMNI™ Enteral Feeding Pump is within its operating temperature range.

Specifications

Ambient Air Pressure

Transport, storage, and operating atmospheric pressure range from 62 kPa to 106 kPa.

Maximum Altitude

The maximum altitude for using Kangaroo OMNI™ Enteral Feeding Pump is 4000 m. Be sure to meet ambient air pressure and battery charging limits stated in this manual.

The Maximum Infusion pressure is: 25 psi (172 KPa)

Type of Protection against Electrical Shock

Class II, Internally-powered Equipment

Degree of Protection against Electrical Shock

Type BF

Mode of Operation

Continuous or Intermittent Feed

Degree of Protection against Ingress of Fluids

Kangaroo OMNI™ Enteral Feeding Pump: Water-jet proof (IP26) per IEC 60529

AC Power Adapter: No protection against fluid ingress (IPX0)

Power

Caution: Use only Kangaroo OMNI™ Enteral Feeding Pump power adapter when powering Kangaroo OMNI™ Enteral Feeding Pump with power from an A/C outlet.

The specifications for the Kangaroo OMNI™ Enteral Feeding Pump power adapter are as follows:

- Input: 100-240 V~, 50-60 Hz, 1.0A (1.0 A – 0.5 A)
- Output: +5 V, 4.0 A

Battery

At around 30 minutes prior to complete battery discharge, a Low Battery alarm will occur. The Low Battery alarm will continue every ten minutes before the battery goes dead. Three minutes before the battery loses charge, you will be alerted by a Dead Battery alarm. Upon receiving either alarm, be sure to plug Kangaroo OMNI™ Enteral Feeding Pump into the nearest power outlet to ensure continued Kangaroo OMNI™ Enteral Feeding Pump operation. If powering Kangaroo OMNI™ Enteral Feeding Pump from an A/C outlet does not restore charge to the battery pack, the battery pack is no longer functional and should be replaced by a qualified technician. Please contact Customer Service for servicing a dead battery.

The battery will charge continuously whenever Kangaroo OMNI™ Enteral Feeding Pump is plugged into a wall outlet. 12 hours of charging is required to fully recharge the battery pack.

Note: Kangaroo OMNI™ Enteral Feeding Pump can continue to be used in normal operation while the battery is recharging. The expected service life of the Kangaroo OMNI™ Enteral Feeding Pump battery is a minimum of 3 years of life, depending on usage. As with all rechargeable batteries, a high number of charge/discharge cycles or high temperature usage will result in some reduction in battery life. The specifications for the battery pack inside Kangaroo OMNI™ Enteral Feeding Pump are as follows:

- Lithium-Ion Rechargeable Battery Pack
- Nominal Voltage = 3.69 V
- Charge Voltage = 4.20 V
- Maximum Charge Current = 1440 mA
- Maximum Discharge Current = 960 mA
- Nominal Capacity: 4950 mAh

Specifications

Alarms

System Error

Dead Battery

Valve Error

Rotor Stuck

Cassette Dislodged

Cassette Error

Sensor Error (1 - 3)

Patient Tube Blocked

Feed Error

Flush Error

Low Battery Caution

Low Battery Notice

Pump Inactive

Notifications

Feed Complete

Feed Incomplete

Settings Locked



Model: MBS-630-R (6 Dwr, Breakaway lock)
Category: Cart, Procedure
Subcategory: Resuscitation
Manufacturer: MPD Medical Systems
Catalog #: MBS-630-R

Atta 3 ID: PRC-AE468

Resuscitation procedure cart. Features: With 6 drawers and breakaway lock. Solid red color. Drawer config: (4) 3 inches, (1) 6 inches, (1) 12 inches. 30 inches total drawer space.

General Production Detail

Arch Sig: No	Spatial Sig: No
Arch Code: 03-Movable Non-Electrical	ADA: No
Critical Path: No	Antimicrobial: No
Type: Medical	Green: No
Furnish Install: Owner / Owner	

Physical Requirements

Width (in.): 32.0000	Left (in.): N/A
Depth (in.): 25.0000	Right (in.): N/A
Height (in.): 46.2500	Front (in.): N/A
Product Weight (lbs): 135.0000	Back (in.): N/A
Max Operating Weight (lbs):	Top (in.): N/A
Mounting: Floor - Mobile	Bottom (in.): N/A
Specification notes:	

Structural Requirements

Seismic: No	OPA #:
	Pre-Approval:
Structural notes:	

Technology Requirements

Patient Data: No	Network:
Connection Type: N/A	System:
Technical Connection notes:	

Electrical Requirements

Volts:	Watts: N/A
Hz: N/A	Amps: N/A
KVA:	Circuit: No
UPS: N/A	Plug Type: N/A
Emerg. Power: No	Plug Detail:
Other Volts Avail.: No	Electrical Phase: N/A
BTU/hr: N/A	
Electrical notes:	

Utility Requirements

Water - Cold: No	Gas Type:
Water - Hot: No	Gas Location:
Water - Treated: No	Medical Gas: No
Drain: No	Vent Type:
Drain Location:	Heat Dissipation: N/A
Steam: No	Dissipation Type: Actual
Vacuum - Den. / Med.: No/No	
Plumbing notes:	
Mechanical notes:	

Locations

Level	Arch Dept	Room	Room #	Status	Item Qty	Ext Total Config
Level 7	Patient Care Support	Equipment Alcove	7516, 7713, 7819	New	1	\$5,617.53

Total: 3

E-Z Push Aluminum or Steel— Cart Size and Style Options

**Most Popular
Emergency
Cart**



A
MBS-630-R
6 Drawer Emergency Cart
Drawer config. 4-3"1-6"1-12"
30" DRAWER SPACE
46¹/₄"H x 25"D x 32"W



B
MBT-524-BG 5 Drawer
Emergency Cart
Drawer configuration 3-3"1-6"1-9"
24" DRAWER SPACE
39³/₄"H x 25"D x 32"W



C
MBS-527P-R 5 Drawer
Emergency Cart with 9" panel
Drawer config. 4-3"1-6"1-9"panel
27" DRAWER SPACE
42³/₄"H x 25"D x 32"W

*Shown with Emergency Package
TEP-B on page 26:*

MBS-424P-R 4 Drawer
Emergency Cart with 9" panel
Drawer config. 3-3"1-6"1-9"panel
24" DRAWER SPACE
39³/₄"H x 25"D x 32"W



9" or 12"
panel
available

D
MBT-424-M 4 Drawer Emergency Cart
Drawer configuration: 2-3"1-6"1-12"
24" DRAWER SPACE
39³/₄"H x 25"D x 32"W
Shown with optional TMH-2 tray (page 49).

E
MCC-524-SFG 5 Drawer Mini Cart with
Breakaway Lock
Drawer configuration 3-3"1-6"1-9"
24" DRAWER SPACE
34"H x 18"D x 18¹/₂"W

F
MCT-630-R 6 Drawer Mini Tower with
Breakaway Lock
Custom drawer configuration 3-3"2-6"1-9"
30" DRAWER SPACE
43³/₄"H x 24³/₄"D x 24¹/₂"W

Shown on page 21:

MCT-524 5 Drawer Mini Tower with
Breakaway Lock.

**Mini
Crash Cart—
perfect
where space
is limited**





Model:MX-3071
Category: Printer
Subcategory: Laser, Multifunction
Manufacturer:Sharp Electronics Corporation
Catalog #: MX-3071

Atta 3 ID: PRN-291FB

Multifunction laser printer. Features: Base models include multitasking controller, 150-sheet 4071 DSPF, PCL 6 and Adobe PostScript 3 printing systems, network scanning, auto duplexing, 1 x 550-sheet paper drawer, 100-sheet bypass tray. Black and color developer is included. Color multi-function digital document system. 10.1 in (diagonally measured) color dot matrix high-resolution touch panel tilting display. 1,024 x 600 dots (W-SVGA), copy, print, network print, network scan, document filing, and fax functions. 30/35/40 ppm Mono/Color (8.50 in. x 11 in.) copy speed, max. 9,999 copies, 150-sheet DSPF with original size detection original feed, standard automatic duplex copying and printing, up to 1.4 GHz multi-processor design, RJ-45 Ethernet (10/100/1000 Base-T), USB 2.0: 2 host ports (front and rear), 1 device port (rear), and wireless 802.11 a/b/g/n. Standard 5 GB copy/print (shared) memory, 500 GB hard disk drive, Auto Color Selection (ACS), Full Color Mode, and Monochrome (B/W) color modes.

General Production Detail

Arch Sig: Yes	Spatial Sig: No
Arch Code: 06-IT Computers	ADA: No
Critical Path: No	Antimicrobial: No
Type: Non-Medical	Green: No
Furnish Install: Owner / Owner	

Physical Requirements

Width (in.): 24.0000	Left (in.): N/A
Depth (in.): 26.0000	Right (in.): N/A
Height (in.): 33.0000	Front (in.): N/A
Product Weight (lbs): 191.0000	Back (in.): N/A
Max Operating Weight (lbs):	Top (in.): N/A
Mounting: Floor	Bottom (in.): N/A
Specification notes:	

Structural Requirements

Seismic: No	OPA #:
	Pre-Approval:
Structural notes:	

Technology Requirements

Patient Data: No	Network:
Connection Type: Data	System:
Technical Connection notes:	

Electrical Requirements

Volts: 110	Watts: 1650.0000
Hz: 60	Amps: 15.0000
KVA:	Circuit: No
UPS: N/A	Plug Type: Type B (Nema 5-15)
Emerg. Power: No	Plug Detail:
Other Volts Avail.: No	Electrical Phase: Single Phase
BTU/hr: N/A	
Electrical notes:	

Utility Requirements

Water - Cold: No	Gas Type:
Water - Hot: No	Gas Location:
Water - Treated: No	Medical Gas: No
Drain: No	Vent Type:
Drain Location:	Heat Dissipation: N/A
Steam: No	Dissipation Type: Actual
Vacuum - Den. / Med.: No/No	
Plumbing notes:	
Mechanical notes:	

Locations

Level	Arch Dept	Room	Room #	Status	Item Qty	Ext Total Config
Level 7	Patient Care Support	Documentation	7522, 7826	New	1	\$25,850.00

Total: 2



ADVANCED SERIES COLOR DOCUMENT SYSTEMS

Designed for the technology-driven workplace.

The Sharp MX-3071, MX-3571 and MX-4071 Advanced Series color document systems are built using the latest technology available to deliver the performance, features and reliability needed in today's busy workplace environments. These new MFPs are also easy to use and offer enhanced productivity, all to provide customers with a seamless, intuitive experience, and the confidence in knowing their jobs will come out right the first time, every time. The new Color Advanced Series also offers leading-edge security features to help businesses protect their data and personal information.

Key Features

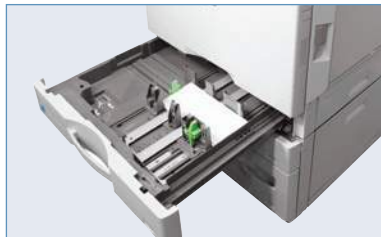
- **Ease of Use** – Award-winning touchscreen display offers a user-friendly graphical interface with simplified Easy Modes, integrated user guides and quick access to network services. With Sharp's new **MFP Voice** feature available for these models, you can interact with the machine with the power of natural language.
- **Productive Features** – Standard full multifunction capability out-of-box, including copying, network printing and color network scanning, combines with Sharp's Color Consistency System for long-lasting high-quality output page after page.
- **Workplace Friendly** – Integrates seamlessly with today's complex network environments, and supports popular cloud services and mobile technologies. And with Sharp's new **Application Portal** (coming Spring 2019) administrators can add new apps or update existing apps right from the MFP.



Award-winning 10.1" (diagonally measured) customizable touchscreen display.



MX-4071 shown with available Sharp MFP Voice feature with Alexa.



Feeds up to 50 envelopes from the standard paper tray.*



Sharp's ImageSEND™ feature provides one-touch distribution to email, cloud applications and more.

An advanced design plus multifunctional capability to meet tomorrow's business needs today.

- Standard 150-sheet **duplexing single-pass document feeder** scans documents at speeds up to 220 images per minute (ipm).
- **Flexible paper handling** supports media up to 110 lb. cover (300 gsm) and feeds up to 12" x 18" through the paper trays, allowing users to print on a wide variety of media, including envelopes through the standard paper tray and bypass tray.
- Access popular cloud services, such as Microsoft® OneDrive™ for Business, SharePoint® Online, Google Drive™, Dropbox and more with Sharp's **Cloud Connect** feature. And with Sharp's new **Application Portal** (coming Spring 2019) administrators can add or update apps right from the MFP.
- Sharp's new **MFP Voice** feature enables users to control the device with simple verbal commands. Experience a hands-free, voice-first interaction with **Amazon Alexa**, available for these Advanced Series models.
- Network-ready **PCL® 6** and **Adobe® PostScript® 3™** printing systems ensure your documents print with the clarity and formatting you expect.
- Easily **convert documents** to popular Microsoft® file formats as well as a variety of PDF formats. You can also direct print these same file types from thumb drives, cloud applications and more. This function is enabled via Qualcomm® DirectOffice™ technology.
- Award-winning 10.1" (diagonally measured) **customizable touchscreen display** with a clean design enables easy access to features and functions when setting up jobs.
- **Built-in walk-up motion sensor** automatically detects approaching users and immediately wakes the machine, making it ready for use within seconds.
- Pantone Licensing on these models offers unprecedented levels of color fidelity to the **PANTONE MATCHING SYSTEM®**.
- **Leading-edge security features** provide enhanced protection. An End-of-Lease feature can erase all data and personal information at time of trade-in.

MX-3071/3571/4071 SPECIFICATIONS

Main Specifications

MX-3071/3571/4071	Base models include multitasking controller, 150-sheet DSPF, PCL® 6 and Adobe PostScript® 3™ printing systems, network scanning, auto duplexing, 1 x 550-sheet paper drawer, 100-sheet bypass tray. Black and color developer is included.
Type	Color multi-function digital document system
Display	10.1" (diagonally measured) color dot matrix high-resolution touch panel tilting display. 1,024 x 600 dots (W-SVGA)
Functions	Copy, print, network print, network scan, document filing and fax ¹
Copy System	Dry electrostatic transfer/Dual component developer/Magnetic brush development/OPC drums/Belt fusing/white LED exposure
Originals	Sheets and bound documents
Max. Original Size	11" x 17"
Output Size	Min. 5½" x 8½", Max. 12" x 18"
Copy Speed	30/35/40 ppm Mono/Color (8½" x 11")
Multiple Copy	Max. 9,999 copies
First Copy Time (In Seconds)²	Platen Glass: Mono 4.7, Color 6.7 DSPF: Mono 7.3, Color 10.0
Warm Up Time	33 seconds (from main power switch on), 20 seconds (from [Power] button on)
Magnification	25% to 400% in 1% increments (with DSPF 25%-200%)
Original Feed	150-sheet DSPF with original size detection
Scan Speed	Copy: Up to 220 ipm (Mono)/110 ipm (Color) Scan: Up to 220 ipm (Mono/Color)
Original Sizes	5½" x 8½", 8½" x 11", 8½" x 11" R, 8½" x 14", 11" x 17"
Paper Capacity	Standard: 650 Sheets/Maximum: 6,300 Sheets
Paper Feed System	Standard: (1) paper drawer 550 sheets (letter/legal/ledger/stmt. size) or up to 50 envelopes (max. height: 25 mm), 100-sheet (or 20 envelope) bypass tray. Optional: Single, double, or triple paper drawer(s) (550, 1,100, or 1,650 sheets), split tandem paper drawers 2,100 sheets (letter) + (1) 550-sheet paper drawer (letter/legal/ledger/statement size).
Paper Weights and Types	Paper drawers: 18 lb. bond to 110 lb. cover. Drawer 1: 20-24 lb. bond or Monarch/Com-9 envelopes. Split Tandem Drawers: 18 lb. bond to 28 lb. bond or plain, pre-printed, recycled, pre-punched, letterhead and color paper. Bypass tray: 16-28 lb. bond (plain paper), 13-16 lb. bond (thin paper), 28 lb. bond-110 lb. cover (heavy paper), tab paper (letter) and Monarch/Com-10 envelopes. Also label, gloss, preprinted, recycled, pre-punched, letterhead and color paper or OHP film.
Duplexing	Standard automatic duplex copying and printing
CPU	Up to 1.4 GHz multi-processor design
Interface	RJ-45 Ethernet (10/100/1000 Base-T), USB 2.0: 2 host ports (front and rear), 1 device port (rear), wireless 802.11 a/b/g/n
Memory	Standard 5 GB copy/print (shared)
Hard Disk Drive	500 GB
Copy Resolution	Scan: 600 x 600 dpi (Mono/Color) Output: Up to 1200 x 1200 dpi (Mono), up to 600 x 600 dpi (Color)
Color Modes	Auto Color Selection (ACS), Full Color Mode, Monochrome (B/W)
Exposure Control Modes	Automatic, Text, Text/Photo, Text/Printed-Photo, Printed-Photo, Photo, Map, Pale-Color Document Settings: Auto or 9 step manual
Halftone	256 gradations/2 levels (monochrome)
Copy Features	Scan-Once Print-Many, electronic sorting, offset-stacking, Auto Color Selection (ACS), Auto Paper Selection (APS), Auto Magnification Selection (AMS), Auto Tray Switching (ATS), black-white reversal, blank page skip, book copy, book divide, card shot, center erase, centering, cover pages, dual page copy, edge erase, image edit, image preview, insert pages, job build, job programs, margin shift, mirror image, mixed size original, multi-page enlargement, original count, pamphlet style, proof copy, repeat layout, reserve copy, rotated copy, stamp, stamp custom image, suppress background, tab copy, tab-paper insertion, tandem copy, toner save mode, transparency inserts, watermark, 2-in-1 / 4-in-1 / 8-in-1 multi shot
Account Control	Up to 1,000 users. Supports user-number authentication via local, LDAP and Active Directory for copy, print, scan and document management

Main Specifications (continued)

Output Tray Capacity	Center Exit Tray (Main): 250 sheets (face down) Job Separator (Upper Tray): 100 sheets (face down) Right Side Exit Tray: 100 sheets (face down)
Cloud Supported Services	Google Cloud Print, Google Drive, Box, OneDrive for Business, SharePoint Online, Dropbox, Office 365, Gmail
Network Protocols	TCP/IP (IPv4, IPv6, IPsec), HTTP/HTTPS, IPP/IPP-SSL, FTP/FTPS, SNMPv3, SMTP/SMTP-SSL, POP3/POP3-SSL, LDAP/LDAP-SSL, 802.1x for Windows and Unix.
Network and Data Security	Includes IP/MAC address filtering, protocol filtering, port control, user authentication (local/LDAP/Active Directory), TLS Encryption, Kerberos support
Firmware Management	Flash ROM with local (USB), network update capability and firmware update 1 to N with SRDM (Sharp Remote Device Manager)
Device Setup Service/Functions	Web-based management with user/admin level login Remote Front Panel, remote access to service logs and click counts
Accessibility Features	Free stop tilting front panel, adjustment of key touch sound and speed, concave key, document feeder free stop, job programs, remote front panel, universal grip for paper trays, and disable screen timeout
Environmental Standards	International Energy Star Program Ver. 2.0, European RoHS, Blue Angel (RAL-UZ205)
Power Source	110-127 V AC, 60 Hz, 15 A Receptacle
Power Consumption	1.5 kW or less
Weight	Approx. 191 lbs.
Dimensions	Approx. 24" (w) x 26" (d) 33" (h)
Network Printing System	
PDL	Standard PCL 6, Adobe PostScript 3
Resolution	1200 x 1200 dpi
Print Speed	30/35/40 pages per minute (8½" x 11")
Print Drivers	Windows® 7, Windows 8.1, Windows 10, Windows Server® 2008, Windows Server 2012, Windows Server 2016, Windows PPD, Mac® OS X® (including 10.6 to 10.14), all Mac PPD, UNIX®, Linux®
Mobile Printing¹	Android printing framework (Sharp Print Service Plugin), Sharpdesk Mobile, Google Cloud Print
Print Features	Auto configuration, serverless print release, chapter inserts, confidential print, continuous printing, custom image registration, document control, document filing, duplex printing, electronic sorting, form overlay, hidden pattern print, image rotation, job bypass print, job retention, layout print, margin shift, multiple pamphlet, network tandem print, N-up printing, offset stacking, page interleave, pamphlet style, poster print, proof print, print and send, tab paper print, tab printing, transparency inserts, tray status, user authentication single sign-on, watermarks, zoom print
Direct Printing	File Types: TIFF, JPEG, PCL, PRN, TXT, and PNG. Optional: PDF, Compact PDF, Encrypted PDF, PS, DOCX, XLSX and PPTX. Methods: FTP, SMB, Web page, Email and USB memory. PDF file formats support the Adobe Embedded Print Engine
Resident Fonts	80 outline fonts (PCL), 139 fonts (PS)
Interface	RJ-45 Ethernet 10/100/1000 Base-T, USB 2.0, Wireless
Operating Systems and Environments	Windows 7, Windows 8, Windows 10, Windows Server 2008, Windows Server 2012, Windows Server 2016, Chrome®, Mac OS X 10.6-10.14, Unix®, Linux®, Citrix®, and SAP device types ¹
Printing Protocols	LPR, IPP, IPPS, Raw TCP (port 9100), FTP, POP3 and HTTP
Network Scanning System	
Scan Modes	Standard: Color, monochrome, grayscale
Max. Original Size	11" x 17"
Optical Resolution	600 dpi
Output Modes	600 dpi, 400 dpi, 300 dpi, 200 dpi, 150 dpi, 100 dpi
Image Compression	Monochrome Scanning: Uncompressed, G3 (MH), G4 (MR/MMR) Color/Grayscale: JPEG (high, middle, low) Internet Fax mode: MH/MMR (option) ¹

Network Scanning System (continued)

Image Formats	Monochrome: TIFF, PDF, PDF/A, Encrypted PDF, XPS, Searchable PDF, DOCX, XLSX, PPTX, TXT, and RTF. Color/Grayscale: TIFF, JPEG, PDF, PDF/A, Compact PDF, Encrypted PDF, XPS, Searchable PDF, DOCX, XLSX, PPTX, TXT, and RTF. Internet Fax: TIFF-FX, TIFF-F, TIFF-S ¹
Scan Destinations	Email, Desktop, FTP, Folder (SMB), USB, Internet fax (option), Super G3 fax (option)
One-touch Destinations	Up to 2,000 (combined scan destinations)
Group Destinations	Up to 500
Programs	48 (combined)
Max. Jobs	Up to 100
Enhanced Email Integration	Standard Gmail connector, standard Exchange connector
Scanning Protocols	HTTP/HTTPS, FTP/FTPS, SMTP/SMTP-SSL/ESMTP, SMB, POP3, LDAP, S/MIME
Software¹	Sharpdesk personal document management software, Network Scanner tool, Sharpdesk Mobile (download)

Optional Equipment

MX-60ABD	Deluxe Copier Cabinet Base (with front door)
MX-DE25N	Stand/1 x 550-sheet Paper Drawer
MX-DE26N	Stand/2 x 550-sheet Paper Drawers
MX-DE27N	Stand/3 x 550-sheet Paper Drawers
MX-DE28N	Stand/1 x 550 + 2,100-sheet Split Tandem Paper Drawers
MX-DE29N	Low Stand/1 x 550-sheet Paper Drawer
MX-LC17N	3,000-sheet Large Capacity Cassette (letter, requires MX-DE25N/26N/27N/28N)
MX-LT10	Long Paper Feeding Tray
MX-FN27N	50-sheet Staple Inner Finisher
MX-FN28	1K Stacking 50-sheet Staple Finisher
MX-FN29	1K Stacking 50-sheet Staple/Saddle Stitch Finisher
MX-FN30	3K Stacking 65-sheet Staple Finisher
MX-FN31	3K Stacking 65-sheet Staple/Saddle Stitch Finisher
MX-RB25N	Paper Pass Unit (required for MX-FN28/29/30/31)
MX-PN14B	3-Hole Punch Unit (requires MX-FN27N)
MX-PN15B	3-Hole Punch Unit (requires MX-FN28/29)
MX-PN16B	3-Hole Punch Unit (requires MX-FN30/31)
MX-SCX1	Staple Cartridge for MX-FN27N/28
AR-SC2	Saddle-stitch Staple Cartridge for MX-FN29
MX-SC11	Staple Cartridge for MX-FN30/31
MX-SC12	Saddle-stitch Staple Cartridge for MX-FN31
MX-TR19N	Right Side Exit Tray
MX-TR20	Job Separator Tray
MX-TU16	Center Exit Tray
MX-UT10	Utility Table
MX-FX15	Fax Expansion Kit
MX-FWX1L	Internet Fax Kit
MX-PF10	Bar Code Font Kit
AR-SU1	Stamp Unit (requires AR-SV1 Stamp Cartridge)
AR-SV1	Stamp Cartridge
MX-AMX1L	Application Integration Module
MX-FR62U	Data Security Kit
DVENDFSV	Generic Vendor Interface Kit

Supplies

MX-61NTBA	Black Toner Cartridge
MX-61NTCA	Cyan Toner Cartridge
MX-61NTMA	Magenta Toner Cartridge
MX-61NTYA	Yellow Toner Cartridge
MX-61NVBA	Black Developer
MX-61NVSA	Cyan/Magenta/Yellow Developer
MX-60NRS	Drum

¹ Some features require optional equipment. See your local dealer.

² May vary depending on product configuration, machine settings and operating and/or environmental conditions.



SHARP ELECTRONICS CORPORATION
100 Paragon Drive, Montvale, NJ 07645
1-800-BE-SHARP • www.sharppusa.com

Sharp, Sharp OSA, Sharpdesk, My Sharp, and all related trademarks are trademarks or registered trademarks of Sharp Corporation and/or its affiliated companies. Microsoft, Office 365, Active Directory, Windows, Windows Server, Excel, PowerPoint, OneDrive, and SharePoint are trademarks or registered trademarks of Microsoft Corporation. Android, Chrome, Gmail, Google Drive, Google Cloud Print, and Chromebook are trademarks or registered trademarks of Google LLC. Adobe, the Adobe logo, PostScript, and PostScript 3 are either registered trademarks or trademarks of Adobe in the United States and/or other countries. Qualcomm DirectOffice is a product of Qualcomm Technologies, Inc. and/or its subsidiaries. Qualcomm is a trademark of Qualcomm Incorporated, registered in the United States and other countries. DirectOffice is a trademark of CSR Imaging US, LP, registered in the United States and other countries, used with permission. Amazon, Alexa, and all related logos and motion marks are trademarks of Amazon.com, Inc. or its affiliates. All other trademarks are the property of their respective owners. Design and specifications subject to change without notice.

Model: 24" grip-A-Strip
Category: Rail System
Subcategory: Display
Manufacturer: Office Max
Catalog #: 24" grip-A-Strip

Atta 3 ID: RAL-75E96

General Production Detail

Arch Sig: Yes	Spatial Sig: No
Arch Code: 01-Fixed Equipment	ADA: No
Critical Path: No	Antimicrobial: No
Type: Non-Medical	Green: No
Furnish Install: Owner / Owner	

Electrical Requirements

Volts:	Watts: N/A
Hz: N/A	Amps: N/A
KVA:	Circuit: No
UPS: N/A	Plug Type: N/A
Emerg. Power: No	Plug Detail:
Other Volts Avail.: No	Electrical Phase:
BTU/hr: N/A	
Electrical notes:	

Physical Requirements

Width (in.):	Left (in.): N/A
Depth (in.):	Right (in.): N/A
Height (in.):	Front (in.): N/A
Product Weight (lbs):	Back (in.): N/A
Max Operating Weight (lbs):	Top (in.): N/A
Mounting:	Bottom (in.): N/A
Specification notes:	

Utility Requirements

Water - Cold: No	Gas Type:
Water - Hot: No	Gas Location:
Water - Treated: No	Medical Gas: No
Drain: No	Vent Type:
Drain Location:	Heat Dissipation: N/A
Steam: No	Dissipation Type:
Vacuum - Den. / Med.: No/No	
Plumbing notes:	
Mechanical notes:	

Structural Requirements

Seismic: No	OPA #:
	Pre-Approval:
Structural notes:	

Technology Requirements

Patient Data: No	Network:
Connection Type: N/A	System:
Technical Connection notes:	

Locations

Level	Arch Dept	Room	Room #	Status	Item Qty	Ext Total Config
Level 7	Critical Care	Critical Care - Patient of Size	720	New	1	\$20.00
Level 7	Critical Care	Critical Care - Isolation	714, 715, 716, 717	New	2	\$160.00
Level 7	Critical Care	Critical Care	718, 719, 722, 723, 724, 725, 726, 727, 728, 729, 730, 731, 732, 733, 734	New	2	\$600.00
Level 7	Progressive Care	Progressive Care	701, 702, 703, 704, 705, 706, 707, 708, 709, 710, 711, 712	New	1	\$240.00

Total: 51



Model: 9905 Bed Pan / Urinal Holder
Category: Rack
Subcategory: Bedpan, Wall Mount
Manufacturer: Bradley Corporation
Catalog #: 9905

Atta 3 ID: RCK-55932

Bed Pan and Urinal Holder. Surface mounted, satin finish, 18 gauge stainless steel, welded construction with burr-free edges. Unit holds (1) conventional size bed pan and (1) urinal bottle. Accessories not included.

General Production Detail

Arch Sig: Yes	Spatial Sig: No
Arch Code: 01-Fixed Equipment	ADA: Yes
Critical Path: No	Antimicrobial: No
Type: Medical	Green: No
Furnish Install: Owner / Contractor	

Physical Requirements

Width (in.): 12.0000	Left (in.): N/A
Depth (in.): 5.2500	Right (in.): N/A
Height (in.): 24.0000	Front (in.): N/A
Product Weight (lbs): 10.0000	Back (in.): N/A
Max Operating Weight (lbs):	Top (in.): N/A
Mounting: Wall	Bottom (in.): N/A
Specification notes:	

Structural Requirements

Seismic: No	OPA #:
	Pre-Approval:
Structural notes:	

Technology Requirements

Patient Data: No	Network:
Connection Type: N/A	System:
Technical Connection notes:	

Electrical Requirements

Volts:	Watts: N/A
Hz: N/A	Amps: N/A
KVA:	Circuit: No
UPS: N/A	Plug Type: N/A
Emerg. Power: No	Plug Detail:
Other Volts Avail.: No	Electrical Phase: N/A
BTU/hr: N/A	
Electrical notes:	

Utility Requirements

Water - Cold: No	Gas Type:
Water - Hot: No	Gas Location:
Water - Treated: No	Medical Gas: No
Drain: No	Vent Type:
Drain Location:	Heat Dissipation: N/A
Steam: No	Dissipation Type: Actual
Vacuum - Den. / Med.: No/No	
Plumbing notes:	
Mechanical notes:	

Locations

Level	Arch Dept	Room	Room #	Status	Item Qty	Ext Total Config
Level 7	Critical Care	Toilet/Shower (Isolation/ADA)	714.1, 715.1, 716.1, 717.1	New	1	\$764.00
Level 7	Critical Care	Toilet/Shower (Critical Care)	718.1, 719.1, 722.1, 723.1, 724.1, 725.1, 726.1, 727.1, 728.1, 729.1, 730.1, 731.1, 732.1, 733.1, 734.1	New	1	\$2,865.00
Level 7	Critical Care	Toilet/Shower (Patient of Size)	720.1	New	1	\$191.00

Level	Arch Dept	Room	Room #	Status	Item Qty	Ext Total Config
Level 7	Progressive Care	Toilet/Shower (Progressive Care)	701.1, 702.1, 703.1, 704.1, 705.1, 706.1, 707.1, 708.1, 709.1, 710.1, 711.1, 712.1	New	1	\$2,292. 00

Total: 32



Surface-Mounted

Product Materials

BACK: 18 gauge stainless steel with exposed surfaces in architectural satin finish. Welded construction with burr-free edges.

BRACKETS: 16 gauge stainless steel with exposed surfaces in architectural satin finish. Welded construction with burr-free edges.

Operation

Unit holds (1) conventional size bed pan and (1) urinal bottle. Accessories not included.

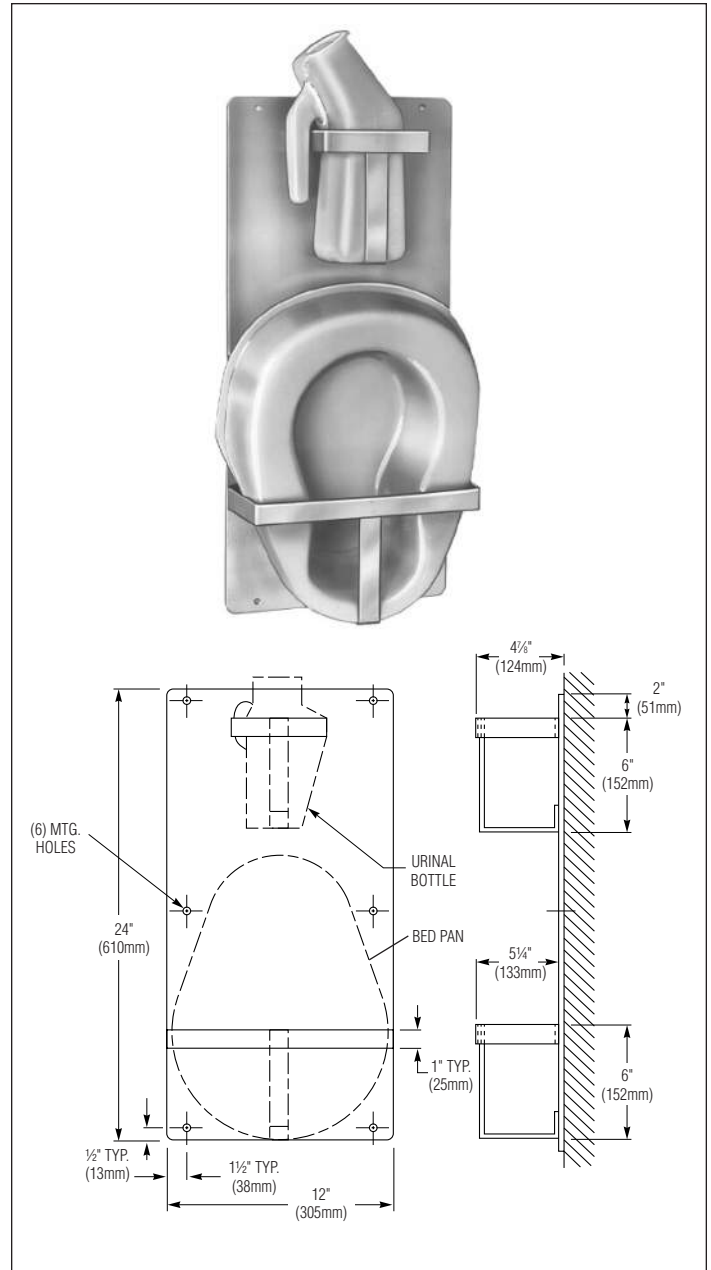
Installation

Verify all rough-in dimensions prior to installation. Secure to wall with mounting screws (included) at holes provided.

Guide Specification

Surface-mounted Bed Pan/Urinal Storage Holder shall be fabricated of stainless steel with exposed surfaces in satin finish.

Overall dimensions: 12"W x 24"H. Projects 5 1/4" from finished wall.





Model: Danby Diplomat 3.3 cu. ft. Compact Refrigerator
Category: Refrigerator
Subcategory: Domestic, Undercounter
Manufacturer: Danby
Catalog #: DCR033B1WM

Atta 3 ID: REF-A45D1

Domestic undercounter refrigerator. Features: .3 cu. ft. (93 L) capacity compact refrigerator, full width chiller section, manual defrost system, 1 full width and 1 - 1/2 width adjustable glass shelves, integrated door shelving with tall bottle storage, vegetable crisper, mechanical thermostat, integrated door handle, reversible door hinge and smooth back design. R600a and Energy Star compliant.

General Production Detail

Arch Sig: Yes	Spatial Sig: No
Arch Code: 02-Movable Electrical	ADA: No
Critical Path: No	Antimicrobial: No
Type: Non-Medical	Green: Yes
Furnish Install: Owner / Owner	

Physical Requirements

Width (in.): 18.0500	Left (in.): 5.0000
Depth (in.): 17.0500	Right (in.): 5.0000
Height (in.): 33.4370	Front (in.): N/A
Product Weight (lbs): 44.0900	Back (in.): 5.0000
Max Operating Weight (lbs):	Top (in.): 5.0000
Mounting: Floor	Bottom (in.): N/A
Specification notes:	

Structural Requirements

Seismic: No	OPA #:
	Pre-Approval:
Structural notes:	

Technology Requirements

Patient Data: No	Network:
Connection Type: N/A	System:
Technical Connection notes:	

Electrical Requirements

Volts: 115	Watts: 1725.0000
Hz: 60	Amps: 15.0000
KVA:	Circuit: Yes
UPS: N/A	Plug Type: Type B (Nema 5-15)
Emerg. Power: No	Plug Detail:
Other Volts Avail.: No	Electrical Phase: Single Phase
BTU/hr: N/A	
Electrical notes:	

Utility Requirements

Water - Cold: No	Gas Type:
Water - Hot: No	Gas Location:
Water - Treated: No	Medical Gas: No
Drain: No	Vent Type:
Drain Location:	Heat Dissipation: N/A
Steam: No	Dissipation Type: Actual
Vacuum - Den. / Med.: No/No	
Plumbing notes:	
Mechanical notes:	

Locations

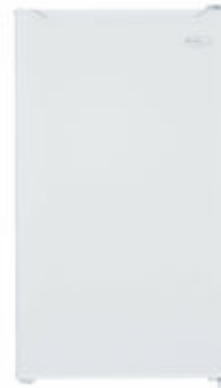
Level	Arch Dept	Room	Room #	Status	Item Qty	Ext Total Config
Level 7	Respiratory Therapy	RT Clean Storage	7719	New	1	\$239.99

Total: 1

Danby Diplomat 3.3 cu. ft. Compact Refrigerator

FEATURES

- 3.3 cu. ft. (94 L) capacity compact refrigerator
- ENERGY STAR® compliant
- Environmentally friendly R600a refrigerant
- Full-width chiller section
- Manual defrost system
- 1 full width and 1 - 1/2 width adjustable glass shelves
- Integrated door shelving with tall bottle storage
- Vegetable Crisper
- Mechanical thermostat
- Integrated door handle
- Reversible door hinge
- Smooth back design
- 12 months parts and labor coverage



SPECIFICATIONS

Capacity (cu.ft)	3 - 3.9 cu. ft.
Color	White
Warranty Length (in Months)	12 months

SHIPPING INFORMATION

Unit Dimensions:

Width	18 8/16"	45.72 cm
Depth	17 8/16"	43.18 cm
Height	33 7/16"	83.82 cm

Package Dimensions:

Width	19.48"	49.48 cm
Depth	18.18"	46.18 cm
Height	34.8"	88.39 cm

Weight:

Unit	20.00 kg	44.09 lbs
Shipping	22.00 kg	48.5 lbs

Warranty:

12 months parts and labor coverage. Installation and/or yearly maintenance (cleaning) are not covered under warranty.



Model: FFTR1814TS (18 cu. ft. / Stainless)
Category: Refrigerator
Subcategory: Domestic with Freezer
Manufacturer: Frigidaire - Div. Electrolux
Catalog #: FFTR1814TS

Atta 3 ID: REF-B00FE

Refrigerator with top freezer. 18 cu. ft. capacity. Stainless. Features Dynamic Condenser Type and the Installation Type is Free-Standing. Reversible Door and Color-Coordinated Door Hinge Covers. Freezer specs 1 Full-Width Wire Fixed Freezer Shelves. 2 Full-Width White Fixed Door Racks. Clear Dairy Door Dairy Compartment. ADA Compliant.

General Production Detail

Arch Sig: Yes	Spatial Sig: No
Arch Code: 02-Movable Electrical	ADA: Yes
Critical Path: No	Antimicrobial: No
Type: Non-Medical	Green: No
Furnish Install: Owner / Owner	

Electrical Requirements

Volts: 120	Watts: 720.0000
Hz: 60	Amps: 6.0000
KVA:	Circuit: Yes
UPS: N/A	Plug Type: Type B (Nema 5-15)
Emerg. Power: No	Plug Detail:
Other Volts Avail.: No	Electrical Phase: Single Phase
BTU/hr: N/A	
Electrical notes:	

Physical Requirements

Width (in.): 30.0000	Left (in.): 0.3750
Depth (in.): 30.2500	Right (in.): 0.3750
Height (in.): 66.7500	Front (in.): 20.0000
Product Weight (lbs): 205.0000	Back (in.): 1.0000
Max Operating Weight (lbs):	Top (in.): 0.3750
Mounting: Floor	Bottom (in.): N/A
Specification notes:	

Utility Requirements

Water - Cold: No	Gas Type:
Water - Hot: No	Gas Location:
Water - Treated: No	Medical Gas: No
Drain: No	Vent Type:
Drain Location:	Heat Dissipation: N/A
Steam: No	Dissipation Type: Actual
Vacuum - Den. / Med.: No/No	
Plumbing notes:	
Mechanical notes:	

Structural Requirements

Seismic: Yes	OPA #:
	Pre-Approval:
Structural notes:	

Technology Requirements

Patient Data: No	Network:
Connection Type: N/A	System:
Technical Connection notes:	

Locations

Level	Arch Dept	Room	Room #	Status	Item Qty	Ext Total Config
Level 7	Patient Care Support	Staff Lounge	7518	New	2	\$1,738.00
Level 7	Patient Care Support	Nourishment	7514, 7714, 7817	New	1	\$2,607.00

Total: 5

FFTR1814T S/W/B

TOP MOUNT
REFRIGERATOR
18.0 CU. FT. TOP MOUNT



AVAILABLE COLORS



Stainless



White



Black

PRODUCT DIMENSIONS

Height (Including Hinges & Rollers)	66-5/8"
Width	30"
Depth (Including Door)	30-1/8"

MORE EASY-TO-USE FEATURES

Clear Dairy Bin

Keep foods like butter, cheese and yogurt organized.

CERTIFICATIONS

A.D.A.- Compliant¹

With accessible shelving, and controls that are positioned within arm's reach and allow one-hand operation, our top-freezer refrigerator is A.D.A.-Compliant.



¹When properly installed, this model is A.D.A.-qualified based on the United States Access Board's A.D.A./A.B.A. Accessibility Guidelines and the Department of Justice's 2010 A.D.A. Standards for Accessible Design.

SIGNATURE FEATURES

Store-More™ Humidity-Controlled Crisper Drawers

Keep your fruits and vegetables fresh in our humidity-controlled crisper drawers.

Store-More™ Gallon Door Shelf

Door storage gives you room for larger items like a gallon of milk.

Full-Width Wire Freezer Shelf

Gives you a way to organize items in your freezer better so you can find food quickly.

Reversible Door

Door can be installed to open left or right based on your needs.

FFTR1814T S/W/B TOP MOUNT REFRIGERATOR

FRIGIDAIRE

18.0 CU. FT.

FEATURES

Door Design	UltraSoft™
Door Handle Design	Black (S), Color-Coordinated (W/B)
Cabinet Finish (Textured)	Black (S), Color-Coordinated (W/B)
Door Stops	Yes
Door Hinge Covers	Black (S), Color-Coordinated (W/B)
Door Reverse Option	Yes
Rollers - Front/Rear	Fixed/Yes
Sound Package	
Toe Grille	Black (S), Color-Coordinated (W/B)

REFRIGERATOR FEATURES

Interior Lighting	Bright
Refrigerator Shelves	2 Full-Width Wire
Deli Drawer	
Wine/Can Rack	
Store-More™ Crisper Drawers	2 Clear
Humidity Controls	2
Dairy Compartment	Clear Dairy Door
Door Bins	
Door Racks	3 Full-Width White
Non-Slip Bin Liner	
Tall Bottle Retainers	
Gallon Door Storage	1

FREEZER FEATURES

Door Bins	
Door Racks	2 Full-Width White
Freezer Shelves	1 Full-Width Wire
Factory Ice Maker w/ Large Ice Bin	Optional (PN# IM116)
Lighting	

CERTIFICATIONS

A.D.A. Compliant ¹	Yes
-------------------------------	-----

SPECIFICATIONS

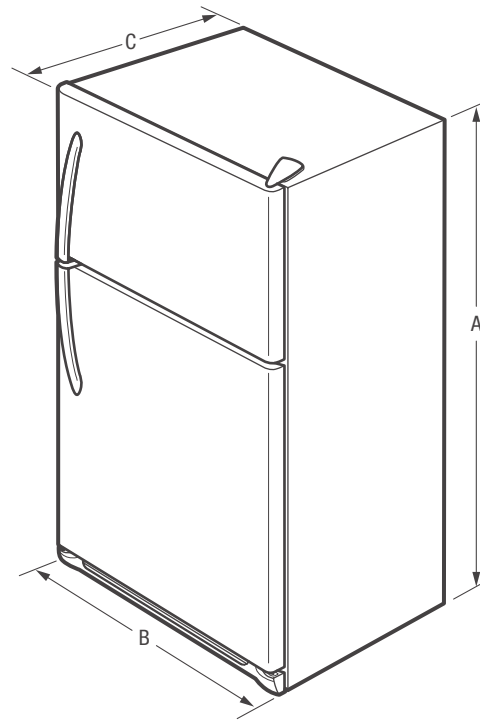
Total Capacity (Cu. Ft.)	18.0
Refrigerator Capacity (Cu. Ft.)	14.1
Freezer Capacity (Cu. Ft.)	3.9
Power Supply Connection Location	Right Bottom Rear
Water Inlet Connection Location	Bottom Right
Voltage Rating	120V / 60Hz
Connected Load (kW Rating) @ 120 Volts ²	0.72
Amps @ 120 Volts	6.0
Minimum Circuit Required (Amps)	15
Shipping Weight (Approx.)	205 Lbs.

¹When properly installed, this model is A.D.A.-qualified based on the United States Access Board's A.D.A./A.B.A. Accessibility Guidelines and the Department of Justice's 2010 A.D.A. Standards for Accessible Design.

²For use on adequately wired 120V, dedicated circuit having 2-wire service with a separate ground wire. Appliance must be grounded for safe operation.

PRODUCT DIMENSIONS

A - Height (Including Hinges & Rollers)	66-5/8"
B - Width	30"
C - Depth (Including Door)	30-1/8"
Depth with Door Open 90°	58-1/2"



Note: For planning purposes only. Always consult local and national electric, gas and plumbing codes. Refer to Product Installation Guide for detailed installation instructions on the web at frigidaire.com / frigidaire.ca.
Specifications subject to change. Accessories information available on the web at frigidaire.com / frigidaire.ca

FRIGIDAIRE

USA • 10200 David Taylor Drive • Charlotte, NC 28262 • 1-800-FRIGIDAIRE • frigidaire.com
CANADA • 5055 Terry Fox Way • Mississauga, ON L5V 3E4 • 1-800-265-8352 • frigidaire.ca

FFTR1814T 10/17

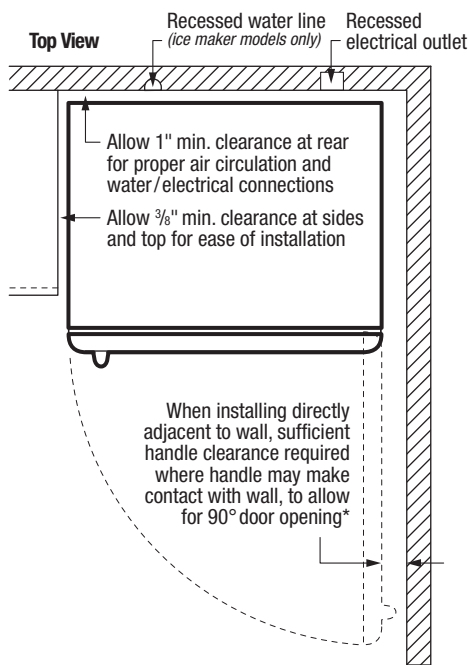
© 2017 Electrolux Home Products, Inc.

Page 303 of 435

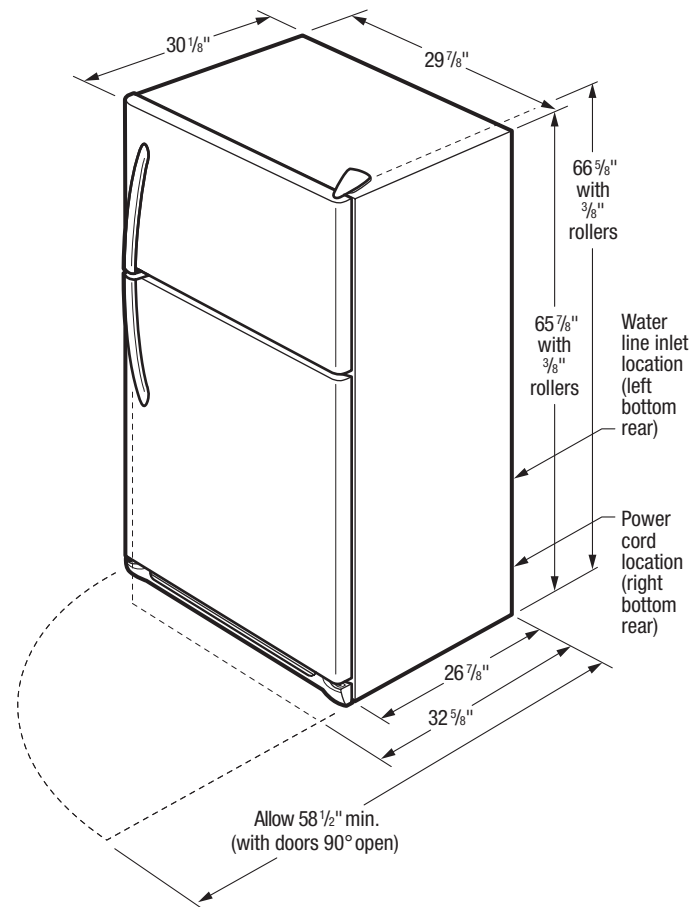
FFTR1814T S/W/B TOP MOUNT REFRIGERATOR

18.0 CU. FT.

FRIGIDAIRE



* When installing refrigerator adjacent to wall, cabinet or other appliance that extends beyond front edge of unit, 20" minimum clearance recommended to allow for optimum 140° door swing, providing complete crisper access and removal. (Absolute 3" minimum clearance will ONLY allow for 90° door swing which will provide limited crisper access with restricted removal.)



INSTALLATION SPECIFICATIONS

- Product Shipping Weight (approx.) - 205 Lbs.
- An electrical supply with grounded three-prong receptacle is required. The power supply circuit must be installed in accordance with current edition of National Electrical Code (NFPA 70) and local codes & ordinances.
- Voltage Rating - 120V/60 Hz
- Connected Load (kW Rating) @ 120 Volts = 0.72kW
- Amps @ 120 Volts = 6.0 Amps
- Always consult local and national electric & plumbing codes.
- Floor should be level surface of hard material, capable of supporting fully loaded refrigerator.
- Minimum 3/8" clearance required for sides and top of refrigerator with 1" clearance at rear to allow for ease of installation, proper air circulation, and plumbing/electrical connections.
- When installing refrigerator adjacent to wall, cabinet or other appliance that extends beyond front edge of unit, 20" minimum clearance recommended to allow for optimum 140° door swing, providing complete crisper access and removal. (Absolute 3" minimum clearance will ONLY allow for 90° door swing which will provide limited crisper access with restricted removal.)
- To ensure optimum performance, do not install in areas where temperature drops below 55°F or rises above 110°F and avoid installing in direct sunlight or close proximity to range, dishwasher or other heat source.
- For proper ventilation, front grille MUST remain unobstructed.
- Recess electrical outlet when possible.
- Optional Ice Maker Kit (PN# IM116) available for installation in ice maker-ready models only.
- Water recess on rear wall recommended to prevent water line damage.
- Water Pressure - Cold water line must provide between 30 and 100 pounds per square inch (psi).
- Copper tubing with 1/4" O.D. recommended for water supply line with length equal to distance from rear of unit to household water supply line plus 7 additional feet. Optional Water Supply Installation Kits available.

OPTIONAL ACCESSORIES

- Ice Maker Kit - (PN# IM116).



FRIGIDAIRE

USA • 10200 David Taylor Drive • Charlotte, NC 28262 • 1-800-FRIGIDAIRE • frigidair.com
CANADA • 5355 Terry Fox Way • Mississauga, ON L5V 3E4 • 1-800-265-8352 • frigidair.ca

Note: For planning purposes only. Always consult local and national electric, gas and plumbing codes. Refer to Product Installation Guide for detailed installation instructions on the web at frigidair.com / frigidair.ca. Specifications subject to change. Accessories information available on the web at frigidair.com / frigidair.ca

FFTR1814T 10/17

© 2017 Electrolux Home Products, Inc.



Model: PH-ABT-HC-UCBI-0404G Premier (4.6 cu.ft, Glass Dr) **Atta 3 ID:** REF-FF1C2
Category: Refrigerator
Subcategory: Pharmaceutical, Undercounter
Manufacturer: American BioTech Supply
Catalog #: PH-ABT-HC-UCBI-0404G

Undercounter pharmaceutical refrigerator with 4.6 cu.ft. capacity. Microprocessor temperature controller with digital temperature display. Features built-in design, temperature range from 36°F to 46°F (2°C to 8°C), one glass swing door with keyed lock, three shelves (two adjustable/one fixed), cycle defrost, audible and visual high and low temperature alarms, remote alarm contacts, refrigerator/freezer freestanding thermometer, and 3/8 inch probe access port. Pyxis, Omnicell and AcuDose RX compatible. Includes pharmacy refrigerator/freezer toolkit and temperature logs. Temperature monitor device (TMD) complies with the current CDC guidelines. Energy Star certified. UL/C-UL listed. HFC-free refrigerant (R600a).

General Production Detail

Arch Sig: Yes	Spatial Sig: No
Arch Code: 02-Movable Electrical	ADA: No
Critical Path: No	Antimicrobial: No
Type: Medical	Green: Yes
Furnish Install: Owner / Contractor	

Physical Requirements

Width (in.): 23.7500	Left (in.): N/A
Depth (in.): 25.5000	Right (in.): N/A
Height (in.): 33.3750	Front (in.): 22.1250
Product Weight (lbs): 97.0000	Back (in.): N/A
Max Operating Weight (lbs):	Top (in.): N/A
Mounting: Floor	Bottom (in.): N/A
Specification notes:	

Structural Requirements

Seismic: No	OPA #:
	Pre-Approval:
Structural notes:	

Technology Requirements

Patient Data: No	Network:
Connection Type: N/A	System:
Technical Connection notes:	

Electrical Requirements

Volts: 115	Watts: N/A
Hz: 60	Amps: 1.7400
KVA:	Circuit: No
UPS: N/A	Plug Type: Type B (Nema 5-15)
Emerg. Power: Yes	Plug Detail:
Other Volts Avail.: No	Electrical Phase: Single Phase
BTU/hr: N/A	
Electrical notes:	

Utility Requirements

Water - Cold: No	Gas Type:
Water - Hot: No	Gas Location:
Water - Treated: No	Medical Gas: No
Drain: No	Vent Type:
Drain Location:	Heat Dissipation: N/A
Steam: No	Dissipation Type: Actual
Vacuum - Den. / Med.: No/No	
Plumbing notes:	
Mechanical notes:	

Locations

Level	Arch Dept	Room	Room #	Status	Item Qty	Ext Total Config
Level 7	Pharmacy	Med Room	7521, 7716, 7821	New	1	\$5,125.56

Total: 3

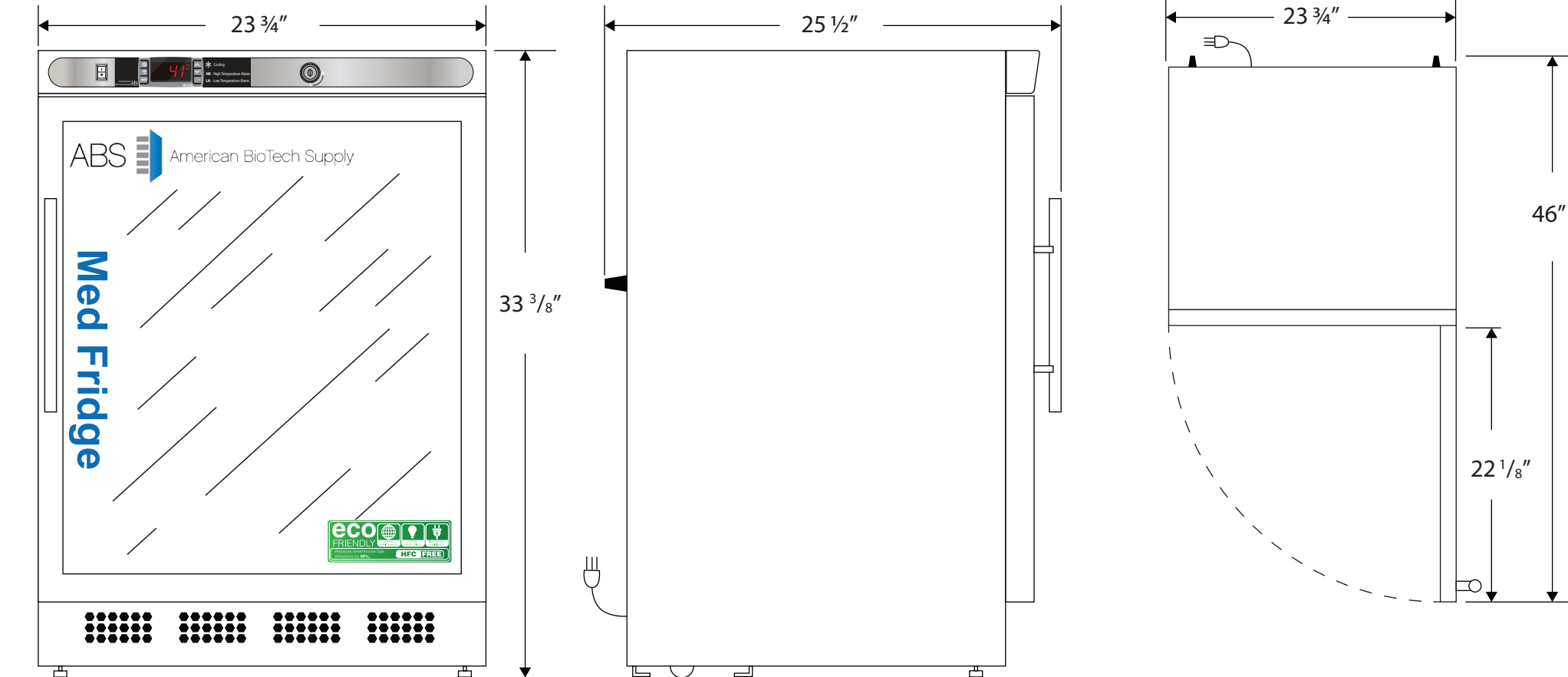
Product Name:	PH-ABT-HC-UCBI-0404G
Description:	<p>Premier Pharmacy/Vaccine Undercounter Refrigerator Built-In 4.6 Cu. Ft. Capacity One glass swing door, right hinged* Microprocessor temperature controller Digital temperature display Audible and visual high and low temperature alarms Remote alarm contacts 2 probes; 1 in air and 1 in glycol bottle Adjustable operating temperature range: 36°F – 46°F (2°C – 8°C) Temperature monitor device (TMD) complies with the current CDC guidelines, with 3 years certification of calibration, “buffered” probe in the product simulated solution, min/max memory. F/C switchable, field installable, and visual & audible temp alarm Three shelves (two adjustable/one fixed) with guard rail on back to prevent product from pushing against back wall Back wall evaporator cover Vaccine storage power cord warning label Forced draft circulation Keyed door lock Magnetic door gasket for positive seal Leveling legs LED interior light Probe access port (3/8") Powder coat exterior High density urethane foam cabinet and door insulation HFC-free refrigerant (R600a), foam insulation and packaging Pharmacy refrigerator/freezer toolkit and temperature logs Two year parts and labor warranty, plus an additional three year compressor parts only warranty Pyxis®, Omnicell® and AcuDose RX® compatible Exterior dimensions: 23 ¾ "W x 25 ½" D x 33 3/8 "H Cycle defrost 115V, 60 Hz, 1.74 Amps, 1/8 HP Energy Consumption 1.15 kWh/day UL/C-UL listed ENERGY STAR CERTIFIED Shipping weight: 150 lbs. *This product is available left hinged, product number PH-ABT-HC-UCBI-0404G-LH</p>


CUTSHEET

Front View

Side View

Top View

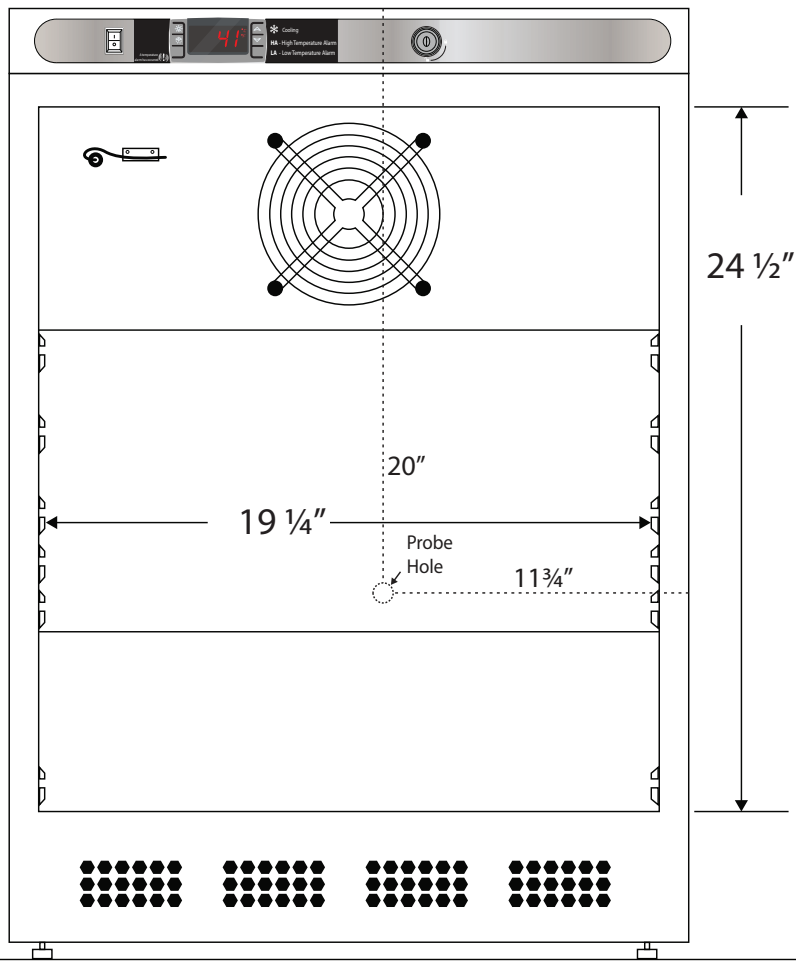


 115VAC/60Hz/1PH
NEMA-5-15P

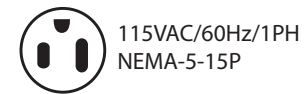
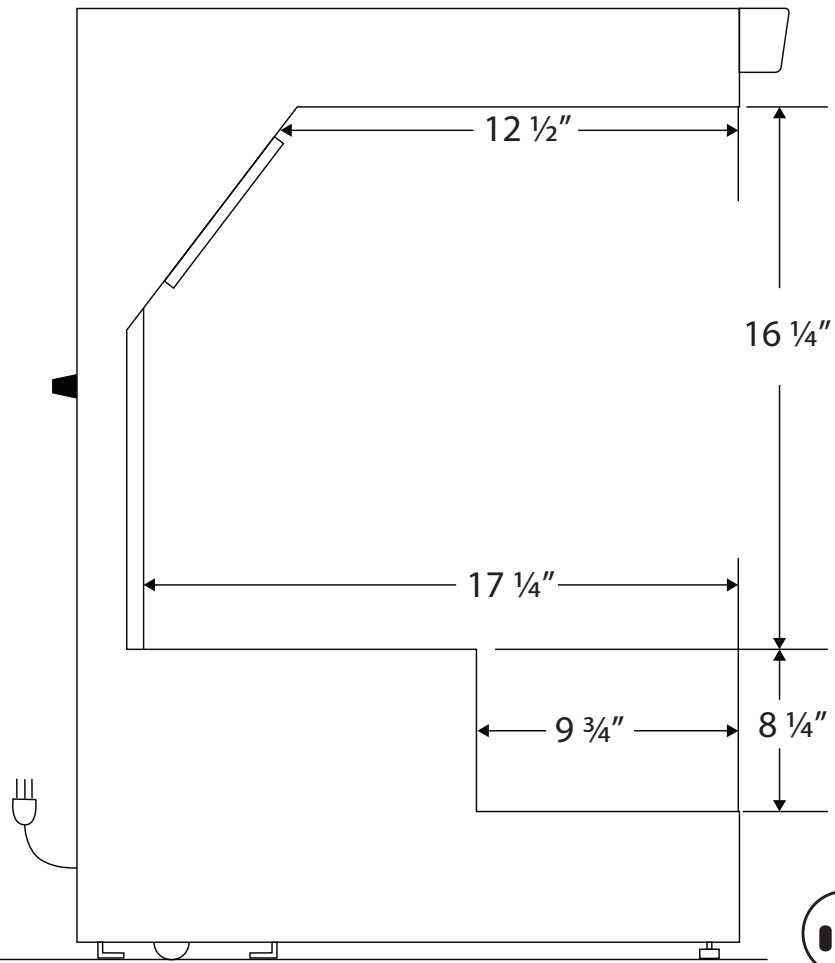
Cu. Ft	Defrost	Door	Int Door	Shelves	W"	D"	H"	Refrigerant	H.P.	Amps	Weight
4.6	Cycle	1 Glass (Reversible)	0	2Adj/1 Fixed	23 3/4	25 1/2	33 3/8	R600a	1/8	1.74	97 lbs.

CUTSHEET

Front View



Side View



Cu. Ft	Defrost	Door	Int Door	Shelves	Interior Dim.			Refrigerant	H.P.	Amps	Weight
					W"	D"	H"				
4.6	Cycle	1 Glass (Reversible)	0	2 Adj/1 Fixed	19 1/4	17 1/4	24 1/2	R600a	1/8	1.74	97 lbs.



Model: 8701-1251-908 Push-To-Set Analog
Category: Regulator
Subcategory: Suction, Intermittent/Continuous
Manufacturer: Ohio Medical Corp
Catalog #: 8701-1251-908

Atta 3 ID: REG-ECDFB

Analog Continuous/Intermittent vacuum regulator with Ohmeda Diamond adapter, DISS male and overflow safety trap, gland and wing nut. Push-To-Set mechanism automatically establishes a vacuum limit with each vacuum level setting in both continuous and intermittent modes. Top mounted on/off switch. 0-200 mmHg and full-wall vacuum ranges. Flow rate: Intermittent – 0-16 L/min. Continuous – 0-80 L/min

General Production Detail

Arch Sig: No	Spatial Sig: No
Arch Code: 03-Movable Non-Electrical	ADA: No
Critical Path: No	Antimicrobial: No
Type: Medical	Green: No
Furnish Install: Owner / Owner	

Physical Requirements

Width (in.): 2.8000	Left (in.): N/A
Depth (in.): 4.8000	Right (in.): N/A
Height (in.): 6.5000	Front (in.): N/A
Product Weight (lbs): 1.0000	Back (in.): N/A
Max Operating Weight (lbs):	Top (in.): N/A
Mounting: Wall	Bottom (in.): N/A
Specification notes:	

Structural Requirements

Seismic: No	OPA #:
Structural notes:	Pre-Approval:

Technology Requirements

Patient Data: No	Network:
Connection Type: N/A	System:
Technical Connection notes:	

Electrical Requirements

Volts:	Watts: N/A
Hz: N/A	Amps: N/A
KVA:	Circuit: No
UPS: N/A	Plug Type: N/A
Emerg. Power: No	Plug Detail:
Other Volts Avail.: No	Electrical Phase: N/A
BTU/hr: N/A	
Electrical notes:	

Utility Requirements

Water - Cold: No	Gas Type:
Water - Hot: No	Gas Location:
Water - Treated: No	Medical Gas: No
Drain: No	Vent Type:
Drain Location:	Heat Dissipation: N/A
Steam: No	Dissipation Type: Actual
Vacuum - Den. / Med.: No/Yes	
Plumbing notes:	
Mechanical notes:	

Locations

Level	Arch Dept	Room	Room #	Status	Item Qty	Ext Total Config
Level 7	Critical Care	Critical Care	718, 719, 722, 723, 724, 725, 726, 727, 728, 729, 730, 731, 732, 733, 734	New	4	\$61,845.00
Level 7	Critical Care	Critical Care - Patient of Size	720	New	4	\$4,123.00
Level 7	Critical Care	Critical Care - Isolation	714, 715, 716, 717	New	4	\$16,492.00
Level 7	Progressive Care	Progressive Care	701, 702, 703, 704, 705, 706, 707, 708, 709, 710, 711, 712	New	4	\$49,476.00

Push-To-Set™ Adult Intermittent Suction Unit Digital and Analog (ANSI)

DESCRIPTION AND APPLICATION

The Push-To-Set™ Intermittent Suction Unit exceeds clinical expectations in medical suction procedures, by offering technology breakthroughs plus the quality and simplicity you are accustomed to receiving from Ohio Medical Corporation's products. It retains the unique, patented unilogic module which provides a reliable, quiet means of cycling the regulator on and off during intermittent suctioning. It also offers dual modes to provide the option of an intermittent mode for nasogastric drainage or C.A.S.S. procedure and a continuous mode for tracheal, pharyngeal or surgical suctioning.

The Push-To-Set™ Intermittent Suction Unit has an ergonomic design that contains two new exclusive safety features that simplify processes, minimize clinical errors and increase product performance. The patented Push-To-Set™ mechanism automatically establishes a vacuum limit with each vacuum level setting in both continuous and intermittent modes. A unique dual-spring regulator module ensures precision in the critical care range (0-200 mmHg) while also providing fast adjustment (2 turns) up to full wall vacuum for emergency resuscitation procedures.

FEATURES AND BENEFITS

- **EXCLUSIVE!** Patented Push-To-Set™
Improves patient safety
May prevent inadvertent unregulated suction
Simple, one handed operation
- **EXCLUSIVE!** Quick-to-Max
Faster adjustment (2 turns from zero) to full available wall vacuum for emergency situations
- **Unilogic Timing Module**
Pneumatic, quiet, reliable operation
Returns to atmospheric pressure during "OFF" cycle
Timing cycles
Independently adjustable 3 to 30 seconds "ON" and "OFF" cycles
Factory preset at 15 seconds on/8 seconds off (± 3 seconds)
Begins in the "ON" mode
- **Flow Rates**
(Intermittent) Preset at 8 L/min (ASTM)
(Continuous) 0 to 80 L/min (without fittings at full increase)
- **Large, Easy to Read Gauge**
Color coded ranges: Low(green), Medium(yellow), High(orange)
Analog: Familiar, industry-standard analog design
Digital: Unmatched accuracy for greater safety: ± 1% of full scale
- **Safety Features**
Push-to-Set™ automatic occlusion design
Positive pressure safety relief valve
- **Modular Components**
Common components reduce service part inventory
Simplifies service procedures
Low cost replacement parts and kits
- **Durable Design and Construction**
Few mechanical parts
Rugged, shatter-resistant case
Corrosion & Lubrication Free
Service-free backplate
- **Ordering Options**
Available in various configurations including adapters for connection to source vacuum. Also available with options for collection devices and overflow safety protection.



TECHNICAL SPECIFICATIONS

Safety Features

Push-To-Set™ Automatic occlusion device
Quick-to-Max (2 turns to full wall vacuum)

Flow Rate

Intermittent: 0-16 L/min (preset at 8 L/min per ASTM)
Continuous: 0-80 L/min (not adjustable) without fittings
at full increase

Timing

Easily adjustable without cover or gauge removal
Silent ON/OFF
Factory setting, Intermittent Timing: 15 seconds ON; 8 seconds
OFF (±3 seconds)
Begins in the "ON" mode

Vacuum Range: 0 to 200 mmHg and full wall vacuum

Gauge Accuracy:

±10 mmHg or ± 5% full scale deflection (Analog)
± 2.0 mmHg or ± 1% full scale deflection (Digital)

Gauge Display:

Analog: Glow in the dark in low or no light environments
Digital: Large, easy to ready display with range indicators

Battery (Digital):

Primary Lithium: 2/3AA, 3/6V, 1/6 Ah

Dimensions:

6.5" H X 2.8" W X 4.8" D
(16.5 x 7.1 x 12.2 cm)

Weight:

1 lb 4oz (0.57 Kg) less fittings and adapters

F.O.B. Point:

Gurnee, IL

Applied Standard:

ASTM F960

* Specifications are nominal, subject to change without notice. Please see "Instructions for Use" manual for the most current regulated vacuum ranges.

SHIPPING INFORMATION

Shipping Weight: 1 lb 11 oz (0.77 Kg) less fittings and adapters

Package Size:

6.5" H x 10.5" W x 8" D
(16.5 x 26.67 x 20.32 cm)

Packaging:

One per carton

Terms:

net 30 days

Parts Configuration

87XX - XXXX - 9XX

Push-To-Set™ Series

Adapter (vacuum source connection)

No Adapter with 1/8" NPT Female.....	00
Diamond	01
DISS Hand-I-Twist (HIT).....	02
DISS Nut & Gland.....	03
Schrader.....	04
Chemetron Rectangle Striker (NCG).....	05
Puritan-Bennett.....	07
O.E.S. Twist.....	08
O.E.S. Med Star.....	09
90° Tubing Nipple.....	11

Fittings (patient connection)

No Fitting 1/8" NPT Female.....	00
Tubbing Nipple.....	01
Locking Gland.....	04
Locking Gland & Overflow Safety Trap.....	05
DISS Male.....	07
DISS Male & Overflow Safety Trap, DISS Wing Nut & Gland.....	08
Pole Mount Bracket with Locking Gland & Overflow Safety Trap.....	28
Pole Mount Bracket with Tubbing Nipple.....	29

Push-To-Set™ Adult Intermittent Suction Unit

Analog:

1251	Off-White*	R251	Red
Y251	Yellow	L251	Lt. Blue
B251	Blue	U251	Purple
K251	Pink		

Digital:

1351	Off-White*	1751	Red
1451	Yellow	1851	Lt. Blue
1551	Blue	1951	Purple
1651	Pink		

*Standard color

© 2014 Ohio Medical Corporation. All rights reserved.

This document contains information that is proprietary and confidential to Ohio Medical Corporation. Use of this information is under license from Ohio Medical Corporation. Any use other than that authorized by Ohio Medical Corporation is prohibited.

Ohio Medical Corporation and the Ohio Medical Corporation logo are registered trademarks and Push-To-Set is a trademark of Ohio Medical Corporation.
U.S. Patent #6,623,463 (Push-To-Set™ Vacuum System)





Model: 3001KL-AM (Assembled) Antimicrobial Digital
Category: Scale, Clinical
Subcategory: Adult, Digital, Floor
Manufacturer: Health o Meter
Catalog #: 3001KL-AM

Atta 3 ID: SCL-CCC3C

Digital floor scale with antimicrobial coating. Assembled. Features handrails, low profile platform, transport handle, 1000-lb/454-kg capacity, 0.2-lb/0.1-kg resolution, 3/4in. LCD display, (2) scuff proof wheels, USB connectivity, 22in.W x 15-3/4in.D x 2-5/8in.H platform size, 20in./508mm handrail width. Functions: LB/KG conversion, LB/KG lock out, BMI, zero out/tare, hold/release, recall, reweigh, autozero, and auto off. Powered by 110-240V adapter (included) or 6 D batteries (not included).

General Production Detail

Arch Sig: No	Spatial Sig: No
Arch Code: 02-Movable Electrical	ADA: No
Critical Path: No	Antimicrobial: Yes
Type: Medical	Green: No
Furnish Install: Owner / Owner	

Physical Requirements

Width (in.): 22.0000	Left (in.): N/A
Depth (in.): 33.2500	Right (in.): N/A
Height (in.): 50.0000	Front (in.): N/A
Product Weight (lbs): 42.0000	Back (in.): N/A
Max Operating Weight (lbs):	Top (in.): N/A
Mounting: Floor	Bottom (in.): N/A
Specification notes:	

Structural Requirements

Seismic: No	OPA #:
	Pre-Approval:
Structural notes:	

Technology Requirements

Patient Data: No	Network:
Connection Type: Data	System:
Technical Connection notes:	

Electrical Requirements

Volts: 120	Watts: 60.0000
Hz: 60	Amps: 0.5000
KVA:	Circuit: No
UPS: N/A	Plug Type: Type B (Nema 5-15)
Emerg. Power: No	Plug Detail:
Other Volts Avail.: No	Electrical Phase: Single Phase
BTU/hr: N/A	
Electrical notes:	

Utility Requirements

Water - Cold: No	Gas Type:
Water - Hot: No	Gas Location:
Water - Treated: No	Medical Gas: No
Drain: No	Vent Type:
Drain Location:	Heat Dissipation: N/A
Steam: No	Dissipation Type: Actual
Vacuum - Den. / Med.: No/No	
Plumbing notes:	
Mechanical notes:	

Locations

Level	Arch Dept	Room	Room #	Status	Item Qty	Ext Total Config
Level 7	Patient Care Support	Intake	100.32	New	1	\$2,466.00

Total: 1

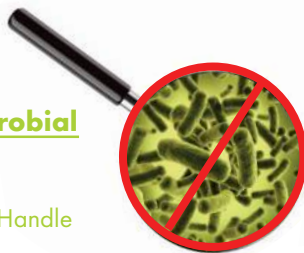
THE 3001KL-AM

ANTIMICROBIAL DIGITAL PLATFORM SCALE

The all-digital 3001KL-AM supports up to 1000 pounds and provides the optimum quality, reliability, and ease of use with a state-of-the-art digital height rod. Designed to meet the needs of doctor's offices, hospitals, clinics, and acute and long-term care facilities, The scale features a large non-skid low profile platform, "live" handrails for patient stability, and rugged scuff-proof wheels that enable portability. The scale also offers an antimicrobial keypad, handrails, and transport handle to give patients and providers additional safety. The scale's high-contrast color screen provides a user-friendly interface that includes BMI, hold/release, reweigh, recall, zero, KG/LB, tare, pre-tare, and more. The exclusive Everlock® function allows the measuring unit (LB or KG) to be permanently

Antimicrobial

- Keypad
- Handrails
- Transport Handle



The 3001KL-AM offers two optional height rod options with quick and easy to assemble brackets, a digital height rod 245EHR-3001 or a mechanical height rod 3001HR. The 245EHR-3001 market-leading digital height rod provides the most accurate height measurement in its class, with a graduation/resolution of 1mm/0.1" and a full measuring range of 11 3/4" – 79 1/2" / 30cm – 202cm and a digital range of 3ft 11.2" – 6ft 7.5" / 120 cm - 202 cm. The 3001HR features a durable height rod construction and an easy-slide head-piece that allows caregivers to quickly and effortlessly measure and read a patient's height. The 3001HR provides a measuring range of 2"-90" in 1/16" increments (6 cm-230cm in 1 mm increments).

The scale provides easy integration and seamless communication with today's EMR applications. The 3001KL-AM includes a USB interface for connectivity with a computer, EMR software, or other electronic devices via various Health o meter® Professional Connectivity Solutions.

THERE'S STRENGTH IN OUR NUMBERS.

When you add up the numbers on our scale, it's not surprising that the 3001KL-AM is your choice for safety and reliability.

120+ LOCAL
FIELD SPECIALISTS

100%
CONNECTIVITY

#1 TRUSTED
BRAND

100 YEARS
OF SERVICE



Health o meter®
Professional

Health o meter® Professional 3001KL-AM

weigh**easier**®

TECHNICAL SPECIFICATIONS

Capacity

1000 lb / 454 kg

Resolution

0.2 lb / 0.1 kg

EMR Connectivity

Via USB, optional Pelstar® wireless technology

Display

1 ½" / 38 mm High-Contrast Color TFT-LCD Screen

Power Source

100-240V adapter (ADPT30) included, 6 D batteries not included

Functions

LB/KG conversion
 LB/KG lock out
 BMI
 Zero
 Tare
 Pre-tare
 Hold/release
 Reweigh
 Recall
 Auto zero
 Auto off
 Time/date
 Variable auto off time
 Audible/mute sound option
 Parent/child weighing function
 Everlock® - permanent weight lock

Platform Size (w x d x h)

22" x 15 ¾" x 2 ⅝"
 (559 mm x 400 mm x 64 mm)

Product Footprint (w x d x h)

22" x 33 ⅛" x 50"
 (559 mm x 841 mm x 1270 mm)

Product Weight

46 lb / 21 kg

Portability

2 wheels for ease of movement

Warranty

2-year limited manufacturer warranty

ORDERING INFORMATION

MODEL	DESCRIPTION
3001KL-AM	Antimicrobial digital platform scale, kilograms and pounds
3001KG-AM	Antimicrobial digital platform scale, kilograms only
3001KL-AM-BT	3001KL-AM with built-in Pelstar wireless technology
3001KG-AM-BT	3001KG-AM with built-in Pelstar wireless technology
3001KL-AMHR	3001KL-AM with mechanical height rod
3001KG-AMHR	3001KG-AM with mechanical height rod
3001KL-AMHR-BT	3001KL-AMHR with built-in Pelstar wireless technology
245EHR-3001	Optional digital height rod for 3001 models*
3001HR	Optional mechanical height rod for 3001 models
SS-3001KL-AM	ScaleSurance 2 year extended warranty (3001 models)**
ADPT30	Adapter included, item # for replacement or spare
PLUGSET30	Plug adapters for use outside North America
PELSTARONE-P	Wireless thermal printer

*Compatible with 3001 series scales including a date code with the last two digits of 21 or higher. An upgrade option is available for models including a date code with the last two digits of 17 or higher. Not available for AMX series scales.
 For assistance, contact Customer Service at 800-815-6615.
 ** Not available in all countries

Optional Height Rods Available



To learn more, call **1-800-815-6615**
 or visit homscales.com/3001KL-AM

Health o meter®
 Professional





Model:SD-1150- WPBT
Category: Scale, Clinical
Subcategory: Adult, Dialysis
Manufacturer:Rice Lake Weighing Systems
Catalog #: 168360

Atta 3 ID: SCL-FA167

In-floor Dialysis scale system with Bluetooth 2.0. Battery operated platform scale with remote external wall mounted LCD display. Maximum capacity 1,000 lbs. Features pit frame scale 36 WX 36 L X 31 H (inches), handrail and mounting hardware. 36 W x 36 L (inches) pit frame. Push button or manual entry of tare weight. Units of measure: lb only, kg only, lb/kg. 10 ft interface cable from scale to indicator, BMI (body mass index) function and hold function. Includes 6 AA size Alkaline batteries. AC adapter is optional.

General Production Detail

Arch Sig: Yes	Spatial Sig: No
Arch Code: 01-Fixed Equipment	ADA: No
Critical Path: No	Antimicrobial: No
Type: Medical	Green: No
Furnish Install: Owner / Contractor	

Electrical Requirements

Volts:	Watts: N/A
Hz: N/A	Amps: N/A
KVA:	Circuit: No
UPS: N/A	Plug Type: N/A
Emerg. Power: No	Plug Detail:
Other Volts Avail.: No	Electrical Phase: N/A
BTU/hr: N/A	
Electrical notes:	

Physical Requirements

Width (in.): 36.0000	Left (in.): N/A
Depth (in.): 36.0000	Right (in.): N/A
Height (in.): 37.0000	Front (in.): N/A
Product Weight (lbs): 169.0000	Back (in.): N/A
Max Operating Weight (lbs):	Top (in.): N/A
Mounting: Floor	Bottom (in.): N/A
Specification notes:	

Utility Requirements

Water - Cold: No	Gas Type:
Water - Hot: No	Gas Location:
Water - Treated: No	Medical Gas: No
Drain: No	Vent Type:
Drain Location:	Heat Dissipation: N/A
Steam: No	Dissipation Type: Actual
Vacuum - Den. / Med.: No/No	
Plumbing notes:	
Mechanical notes:	

Structural Requirements

Seismic: No	OPA #:
	Pre-Approval:
Structural notes:	

Technology Requirements

Patient Data: No	Network:
Connection Type: Data	System:
Technical Connection notes:	

Locations

Level	Arch Dept	Room	Room #	Status	Item Qty	Ext Total Config
Level 7	Patient Care Support	Equipment Alcove	7516, 7713, 7819	New	1	\$3,900.00

Total: 3

SD-1150-WP Dialysis Wheelchair Scale



In Ground Scale Package

Specifications

- Capacity:**
1,000 lb x 0.2 lb (450 kg x 0.1 kg)
- Platform Dimensions:**
(W x L x H) 36 in x 36 in x 3 in
- Power:**
9 VDC, provided by six AA alkaline batteries (included) or AC adaptor (optional)
- Battery Type:**
Six AA alkaline
- Battery Use:**
25 hours continuous use with batteries
Automatic power-off can be configured
- Operating Temperature:**
50° F to 104° F (14° C to 40° C)
- Display:**
5-digit LCD display, 0.75 in (1.9 mm) digit height
- Warranty:**
Two-year limited warranty
- Approvals:**
c-Met (pending)

Standard Features

- Package includes scale, pit frame, handrail and indicator
- Heavy-duty mild steel construction
- Handrail for added patient safety
- Push-button LCD display
- BMI (body mass index) function
- Hold function
- Ability to manually enter the tare weight of additional items, such as a wheelchair or oxygen tank
- Units of measure: lb only, kg only, lb/kg
- Motiontrap™ movement compensation technology
- EHR capable
- 10 ft cable between scale base and indicator

Part Number/Price

Part #	Model #	Capacity	Price
150707	SD-1150-WP	1,000 lb x 0.2 lb (450 kg x 0.1 kg) with USB	Consult
168360	SD-1150-WPBT	1,000 lb x 0.2 lb (450 kg x 0.1 kg) with USB and Bluetooth® 2.0	Consult

Shipping Weight

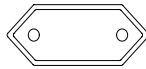
Part #	Model #	L (in)	W (in)	H (in)	Package Wgt. (lb)	Dim Wgt. (lb)	Shipping Wgt. (lb)
150707	SD-1150-WP	40	39	15	246	169	246
168360	SD-1150-WPBT	40	39	15	246	169	246

Options/Accessories

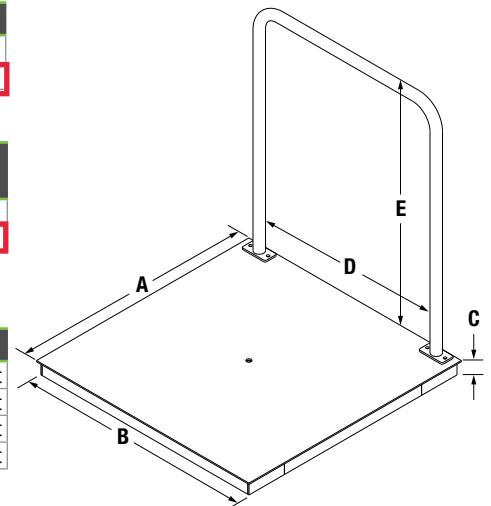
Part #	Description	Price
133077 †	9 VDC adaptor, 120 V/230V auto switching	Consult
102508 ††	9 VDC adaptor, 230 V	Consult
81076	Epson TM-U220 tape printer	Consult
186830	Printer cable, 25-pin D-Sub male to RJ-45, 6 ft	Consult



† NEMA 1-15 Plug



†† CEE 7/16 Plug



Dimensions

	Inches	Centimeters
A	36	91.4
B	36	91.4
C	3	7.6
D	31.5	80.0
E	37	94.0



Model: Caution Wet Floor (2-Sided)
Category: Signage
Subcategory: Wet Floor
Manufacturer: Rubbermaid Commercial Products
Catalog #: FG611277YEL

Atta 3 ID: SGN-B89A0

Floor Sign with "Caution Wet Floor" imprint, 2-Sided. Yellow plastic. Folds and has integrated handle for storage and transport on Janitor Cart. ANSI/OSHA-compliant color and graphics.

General Production Detail

Arch Sig: No	Spatial Sig: No
Arch Code: 03-Movable Non-Electrical	ADA: No
Critical Path: No	Antimicrobial: No
Type: Non-Medical	Green: No
Furnish Install: Owner / Owner	

Physical Requirements

Width (in.): 11.0000	Left (in.): N/A
Depth (in.): 12.0000	Right (in.): N/A
Height (in.): 25.0000	Front (in.): N/A
Product Weight (lbs): 2.3200	Back (in.): N/A
Max Operating Weight (lbs):	Top (in.): N/A
Mounting: Floor	Bottom (in.): N/A
Specification notes:	

Structural Requirements

Seismic: No	OPA #:
	Pre-Approval:
Structural notes:	

Technology Requirements

Patient Data: No	Network:
Connection Type: N/A	System:
Technical Connection notes:	

Electrical Requirements

Volts:	Watts: N/A
Hz: N/A	Amps: N/A
KVA:	Circuit: No
UPS: N/A	Plug Type: N/A
Emerg. Power: No	Plug Detail:
Other Volts Avail.: No	Electrical Phase: N/A
BTU/hr: N/A	
Electrical notes:	

Utility Requirements

Water - Cold: No	Gas Type:
Water - Hot: No	Gas Location:
Water - Treated: No	Medical Gas: No
Drain: No	Vent Type:
Drain Location:	Heat Dissipation: N/A
Steam: No	Dissipation Type: Actual
Vacuum - Den. / Med.: No/No	
Plumbing notes:	
Mechanical notes:	

Locations

Level	Arch Dept	Room	Room #	Status	Item Qty	Ext Total Config
Level 7	Family Waiting	EVS	7606	New	6	\$125.28

Total: 6

Floor Safety Signs

Lightweight, versatile signs for effective safety communication.

- “Closed” and “Caution” warning messages imprinted in English, French, and Spanish
- Folds for convenient storage and transport on janitorial carts or Rim Caddy (FG9W8700)
- Two- and four-sided models available
- ANSI- and OSHA-compliant color* and graphics**



NO.	COLOR	DESCRIPTION	U.S. DIMENSIONS	U.S. SHIP WT/CTN	METRIC DIMENSIONS	METRIC SHIP WT/CTN	PACK
FG611200***	YEL	Floor Sign with Multilingual “Caution” Imprint, 2-Sided	Open: 26" l x 11" w x 25" h Closed: 26" l x 11" w	15.0 lb	Open: 66 cm x 27.9 cm x 63.5 cm Closed: 66 cm x 27.9 cm	6.8 kg	6
1867505*	BLACK	Executive Multilingual Caution Sign, 2-Sided, Black	Open: 26" l x 11" w x 25" h Closed: 26" l x 11" w	15.0 lb	Open: 66 cm x 27.9 cm x 63.5 cm Closed: 66 cm x 27.9 cm	6.8 kg	6
1867506*	GRAY	Executive Multilingual Caution Sign, 2-Sided, Gray	Open: 26" l x 11" w x 25" h Closed: 26" l x 11" w	15.0 lb	Open: 66 cm x 27.9 cm x 63.5 cm Closed: 66 cm x 27.9 cm	6.8 kg	6
FG611277	YEL	Floor Sign with “Caution Wet Floor” Imprint, 2-Sided	Open: 26" l x 11" w x 25" h Closed: 26" l x 11" w	15.0 lb	Open: 66 cm x 27.9 cm x 63.5 cm Closed: 66 cm x 27.9 cm	6.8 kg	6
FG611278	YEL	Floor Sign with Multilingual “Closed” Imprint, 2-sided	Open: 26" l x 11" w x 25" h Closed: 26" l x 11" w	15.0 lb	Open: 66 cm x 27.9 cm x 63.5 cm Closed: 66 cm x 27.9 cm	6.8 kg	6
FG611400	YEL	Floor Sign with Multilingual “Caution” Imprint, 4-Sided	Open: 38" l x 12" w x 37" h Closed: 38" l x 12" w	26.9 lb	Open: 96.5 cm x 30.5 cm x 94 cm Closed: 96.5 cm x 30.5 cm	12.2 kg	6
1867509*	BLACK	Executive Multilingual Caution Sign, 4-Sided, Black	Open: 38" l x 12" w x 37" h Closed: 38" l x 12" w	26.9 lb	Open: 96.5 cm x 30.5 cm x 94 cm Closed: 96.5 cm x 30.5 cm	12.2 kg	6
FG611477	YEL	Floor Sign with “Caution Wet Floor” Imprint, 4-Sided	Open: 38" l x 12" w x 37" h Closed: 38" l x 12" w	26.9 lb	Open: 96.5 cm x 30.5 cm x 94 cm Closed: 96.5 cm x 30.5 cm	12.2 kg	6
FG618400	YEL	20' (6.1 m) Barrier Chain for FG611400 and Safety Cones	0.25" dia x 20" l x 0.88" w	5.2 lb	0.6 cm dia x 50.8 cm x 2.2 cm	2.4 kg	4

*Applies to yellow signs only. Executive Series™ gray and black Caution Signs are NOT compliant with OSHA nor ANSI color or graphics. FG611278 and FG611478 are NOT compliant with OSHA nor ANSI graphics.

**ANSI Z535.3–2002 Criteria for Safety Symbols; ANSI Z535–Safety Color; OSHA 1910.144–Safety Color; OSHA 1910.145–Specification for Accident Prevention Signage.

***Custom imprinting available; contact Rubbermaid Customer Service for details.

Executive Wooden Multilingual Caution Signs

2-sided hinged Caution signs.

- Elegant dark hardwood frame
- Durable plastic feet help protect wood finish from spills
- Hinged top with integrated carry handle for easy transport and storage
- Available in gold or silver
- Trilingual Caution plate



NO.	COLOR	DESCRIPTION	U.S. DIMENSIONS	U.S. SHIP WT/CTN	METRIC DIMENSIONS	METRIC SHIP WT/CTN	PACK
1867507	GOLD	Executive Wooden Multilingual Caution Sign, 2-Sided, Gold	Open: 22" l x 15½" w x 20" d Closed: 23¾" l x 15½" w x 2¼" d	13.5 lb	Open: 55.9 cm x 38.4 cm x 50.8 cm Closed: 60.3 cm x 38.4 cm x 5.7 cm	6.2 kg	1
1867508	SILVER	Executive Wooden Multilingual Caution Sign, 2-Sided, Silver	Open: 22" l x 15½" w x 20" d Closed: 23¾" l x 15½" w x 2¼" d	13.5 lb	Open: 55.9 cm x 38.4 cm x 50.8 cm Closed: 60.3 cm x 38.4 cm x 5.7 cm	6.2 kg	1

Site Safety Hanging Signs

Sign and pole combination for blocking doorways and entrances.

- Twisting action secures pole in doorways up to 50" wide to prohibit entry
- Soft, pliable sign rolls around pole for easy storage
- ANSI- and OSHA-compliant color



NO.	COLOR	DESCRIPTION	U.S. DIMENSIONS	U.S. SHIP WT/CTN	METRIC DIMENSIONS	METRIC SHIP WT/CTN	PACK
FG9S1500	YEL	Site Safety Hanging Sign with “Closed for Cleaning” Imprint – English Only	Closed: 13" h x 28" w x 1" d Open: 13" h x 50¾" w x 1" d	5.5 lb	33 cm x 71.12 cm x 2.5 cm 33 cm x 127.6 cm x 2.5 cm	2.5 kg	6
FG9S1600	YEL	Site Safety Hanging Sign with Multilingual “Closed for Cleaning” Imprint	Closed: 13" h x 27¾" w x 1" d Open: 13" h x 50" w x 1" d	5.5 lb	33 cm x 70.5 cm x 2.5 cm 33 cm x 127 cm x 2.5 cm	2.5 kg	6

UTILITY REFUSE AND RECYCLING

DECORATIVE REFUSE

SAFETY

MATERIAL HANDLING

WASHROOM

FOODSERVICE

ACCESSORIES & INDEX



Model: B-296x18 Stainless Steel Shelf
Category: Shelving
Subcategory: Solid, Wall Mount
Manufacturer: Bobrick Washroom Equipment, Inc.
Catalog #: B-296x18

Atta 3 ID: SHL-58398

Wall mounted, stainless steel shelf. Features 18-gauge stainless steel with satin finish. 3/4 inch return edges, front edge hemmed. Includes two stainless steel mounting brackets.



General Production Detail

Arch Sig: Yes	Spatial Sig: No
Arch Code: 01-Fixed Equipment	ADA: No
Critical Path: No	Antimicrobial: No
Type: Non-Medical	Green: No
Furnish Install: Owner / Contractor	

Electrical Requirements

Volts:	Watts: N/A
Hz: N/A	Amps: N/A
KVA:	Circuit: No
UPS: N/A	Plug Type: N/A
Emerg. Power: No	Plug Detail:
Other Volts Avail.: No	Electrical Phase: N/A
BTU/hr: N/A	
Electrical notes:	

Physical Requirements

Width (in.): 18.0000	Left (in.): N/A
Depth (in.): 5.0000	Right (in.): N/A
Height (in.): 3.0000	Front (in.): N/A
Product Weight (lbs): 4.0000	Back (in.): N/A
Max Operating Weight (lbs):	Top (in.): N/A
Mounting: Wall	Bottom (in.): N/A
Specification notes:	

Utility Requirements

Water - Cold: No	Gas Type:
Water - Hot: No	Gas Location:
Water - Treated: No	Medical Gas: No
Drain: No	Vent Type:
Drain Location:	Heat Dissipation: N/A
Steam: No	Dissipation Type: Actual
Vacuum - Den. / Med.: No/No	
Plumbing notes:	
Mechanical notes:	

Structural Requirements

Seismic: No	OPA #:
Pre-Approval:	
Structural notes:	

Technology Requirements

Patient Data: No	Network:
Connection Type: N/A	System:
Technical Connection notes:	

Locations

Level	Arch Dept	Room	Room #	Status	Item Qty	Ext Total Config
Level 7	Family Waiting	EVS	7606	New	2	\$161.12

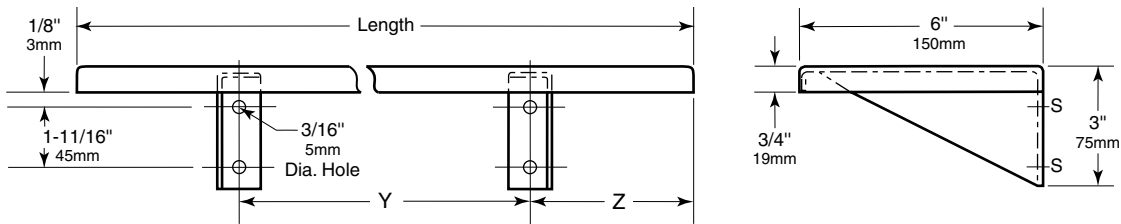
Total: 2



Technical Data

STAINLESS STEEL SHELF

B-296



STANDARD STOCK SIZES

Model No.	Length	No. Of Brackets	Dimension Y	Dimension Z
B-296x18	18" (455mm)	2	12" (305mm)	3" (75mm)

Custom sizes available up to maximum length of 28 feet (853cm). Shelves longer than 8 feet (244cm) are furnished in multiple sections.

MATERIALS:

Shelf — 18-8, type-304, 18-gauge (1.2mm) stainless steel with satin finish. 3/4" (19mm) return edges for maximum rigidity. Front edge is hemmed for safe handling.

Mounting Brackets — 18-8, type-304, 16-gauge (1.6mm) stainless steel with satin finish. Welded to back return of shelf and secured inside front hem of shelf.

INSTALLATION:

Secure shelf to wall with sheet-metal screws (not furnished) at points indicated by an S. For plaster or dry wall construction, provide concealed backing to comply with local building codes, then secure shelf with sheet-metal screws. For other wall surfaces, provide fiber plugs or expansion shields for use with sheet-metal screws, or provide 1/8" (3mm) toggle bolts or expansion bolts.

SPECIFICATION:

Shelf shall be type-304, 18-gauge (1.2mm) stainless steel with satin finish. Mounting brackets, welded to shelf, shall be 16-gauge (1.6mm) stainless steel. Shelf shall be _____ (insert length) long by 6" (150mm) wide with 3/4" (19mm) return edges. Front edge shall be hemmed for safe handling.

Stainless Steel Shelf shall be Model _____ (insert model number) of Bobrick Washroom Equipment, Inc., Clifton Park, New York; Jackson, Tennessee; Los Angeles, California; Bobrick Washroom Equipment Company, Scarborough, Ontario; Bobrick Washroom Equipment Pty. Ltd., Australia; and Bobrick Washroom Equipment Limited, United Kingdom.

The illustrations and descriptions herein are applicable to production as of the date of this Technical Data Sheet. The manufacturer reserves the right to, and does from time to time, make changes and improvements in designs and dimensions.

Revised 6/21/16 Printed in U.S.A.
© 2016 by Bobrick Washroom Equipment, Inc.

Model: B-298 X 24 Stainless Steel Shelf
Category: Shelving
Subcategory: Solid, Wall Mount
Manufacturer: Bobrick Washroom Equipment, Inc.
Catalog #: B-298X24

Atta 3 ID: SHL-8EE8A



Wall mounted, stainless steel shelf. Features 24in. wide x 8in. deep. Includes two stainless steel mounting brackets.

General Production Detail

Arch Sig: Yes	Spatial Sig: No
Arch Code: 01-Fixed Equipment	ADA: No
Critical Path: No	Antimicrobial: No
Type: Non-Medical	Green: No
Furnish Install: Owner / Contractor	

Electrical Requirements

Volts:	Watts: N/A
Hz: N/A	Amps: N/A
KVA:	Circuit: No
UPS: N/A	Plug Type: N/A
Emerg. Power: No	Plug Detail:
Other Volts Avail.: No	Electrical Phase: N/A
BTU/hr: N/A	
Electrical notes:	

Physical Requirements

Width (in.): 24.0000	Left (in.): N/A
Depth (in.): 8.0000	Right (in.): N/A
Height (in.): 3.0000	Front (in.): N/A
Product Weight (lbs): 5.0000	Back (in.): N/A
Max Operating Weight (lbs):	Top (in.): N/A
Mounting: Wall	Bottom (in.): N/A
Specification notes:	

Utility Requirements

Water - Cold: No	Gas Type:
Water - Hot: No	Gas Location:
Water - Treated: No	Medical Gas: No
Drain: No	Vent Type:
Drain Location:	Heat Dissipation: N/A
Steam: No	Dissipation Type: Actual
Vacuum - Den. / Med.: No/No	
Plumbing notes:	
Mechanical notes:	

Structural Requirements

Seismic: No	OPA #:
	Pre-Approval:
Structural notes:	

Technology Requirements

Patient Data: No	Network:
Connection Type: N/A	System:
Technical Connection notes:	

Locations

Level	Arch Dept	Room	Room #	Status	Item Qty	Ext Total Config
Level 7	Family Waiting	EVS	7606	New	2	\$196.30

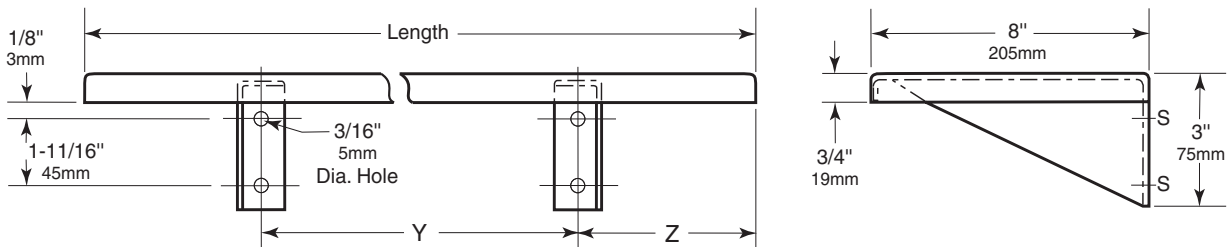
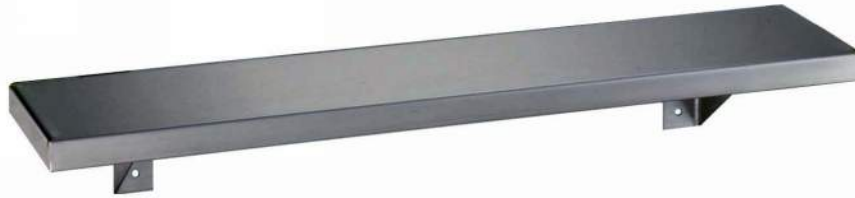
Total: 2



Technical Data

STAINLESS STEEL SHELF

B-298



STANDARD STOCK SIZES

Model No.	Length	No. Of Brackets	Dimension Y	Dimension Z
B-298x18	18" (455mm)	2	12" (305mm)	3" (75mm)
B-298x24	24" (610mm)	2	18" (455mm)	3" (75mm)

Custom sizes available up to maximum length of 28 feet (853cm). Shelves longer than 8 feet (244cm) are furnished in multiple sections.

MATERIALS:

Shelf — 18-8, type-304, 18-gauge (1.2mm) stainless steel with satin finish. 3/4" (19mm) return edges for maximum rigidity. Front edge is hemmed for safe handling.

Mounting Brackets — 18-8, type-304, 16-gauge (1.6mm) stainless steel with satin finish. Welded to back return of shelf and secured inside front hem of shelf.

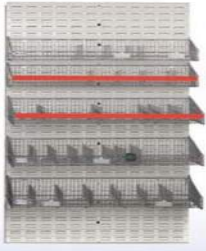
INSTALLATION:

Secure shelf to wall with sheet-metal screws (not furnished) at points indicated by an S. For plaster or dry wall construction, provide concealed backing to comply with local building codes, then secure shelf with sheet-metal screws. For other wall surfaces, provide fiber plugs or expansion shields for use with sheet-metal screws, or provide 1/8" (3mm) toggle bolts or expansion bolts.

SPECIFICATION:

Shelf shall be type-304, 18-gauge (1.2mm) stainless steel with satin finish. Mounting brackets, welded to shelf, shall be 16-gauge (1.6mm) stainless steel. Shelf shall be _____ (insert length) long by 8" (205mm) wide with 3/4" (19mm) return edges. Front edge shall be hemmed for safe handling.

Stainless Steel Shelf shall be Model _____ (insert model number) of Bobrick Washroom Equipment, Inc., Clifton Park, New York; Jackson, Tennessee; Los Angeles, California; Bobrick Washroom Equipment Company, Scarborough, Ontario; Bobrick Washroom Equipment Pty. Ltd., Australia; and Bobrick Washroom Equipment Limited, United Kingdom.



Model: Par Wall (36in.W Complete)
Category: Shelving
Subcategory: Modular Storage, Wall Mount
Manufacturer: LogiQuip, LLC
Catalog #: PWW366

Atta 3 ID: SHL-A7B8D

Wall mounted Par Wall louvered panel with storage accessories. Kit includes beige louvered panel 36.5in.W x 61in.H, 3 x 18in.D fine mesh basket with 3 dividers; 3 x 12in.D fine mesh baskets each with 5 dividers.

General Production Detail

Arch Sig: Yes	Spatial Sig: No
Arch Code: 01-Fixed Equipment	ADA: No
Critical Path: No	Antimicrobial: No
Type: Non-Medical	Green: No
Furnish Install: Owner / Contractor	

Electrical Requirements

Volts:	Watts: N/A
Hz: N/A	Amps: N/A
KVA:	Circuit: No
UPS: N/A	Plug Type: N/A
Emerg. Power: No	Plug Detail:
Other Volts Avail.: No	Electrical Phase: N/A
BTU/hr: N/A	
Electrical notes:	

Physical Requirements

Width (in.): 36.5000	Left (in.): N/A
Depth (in.): 18.0000	Right (in.): N/A
Height (in.): 61.0000	Front (in.): N/A
Product Weight (lbs): 171.0000	Back (in.): N/A
Max Operating Weight (lbs):	Top (in.): N/A
Mounting: Wall	Bottom (in.): N/A
Specification notes:	

Utility Requirements

Water - Cold: No	Gas Type:
Water - Hot: No	Gas Location:
Water - Treated: No	Medical Gas: No
Drain: No	Vent Type:
Drain Location:	Heat Dissipation: N/A
Steam: No	Dissipation Type: Actual
Vacuum - Den. / Med.: No/No	
Plumbing notes:	
Mechanical notes:	

Structural Requirements

Seismic: Yes	OPA #:
	Pre-Approval:
Structural notes:	

Technology Requirements

Patient Data: No	Network:
Connection Type: N/A	System:
Technical Connection notes:	

Locations

Level	Arch Dept	Room	Room #	Status	Item Qty	Ext Total Config
Level 7	Patient Care Support	Storage	721	New	1	\$2,131.00
Level 7	Patient Care Support	Clean Supply	7512, 7718, 7812	New	3	\$19,179.00

Total: 10



PARWALL LOUVERED PANEL 36" W KIT, 6 BASKETS-(CAT.#PWW366)

- Louvered Panel Kit Includes:
- 36.5"W X 61"H Louvered Panel
- Hardware • Mounting Brackets
- (3) 12"D X 36"W ParWall Fine Mesh Basket Shelves, Each with (5) Dividers
- (3) 18"D X 36"W ParWall Fine Mesh Basket Shelves, Each with (3) Dividers
- 18" D X 36" W Dust Shelf
- Limited 5-Year Warranty

SKU: PWW366

Categories: [louvered-panels](#)

Tags: [BASKETS](#), [FINE-MESH](#), [KANBAN](#), [LOUVERED-PANEL](#), [PARWALL](#)

PRODUCT DESCRIPTION

ParWall Fine Mesh Baskets on traditional Louvered Panels increases storage capacity and keeps products off the floor, allowing utilization of various accessories.

ADDITIONAL INFORMATION

Dimensions	18 x 36.5 x 61 in
Department	cath-lab-ir-endoscopy , sterile-processing , supply-chain-clean-utility , surgical-services
Product Line	Kanban , ParWall
Product Category	louvered-panels
Product Subcategory	louvered-panel-kits
Material	STEEL
Finish	EPOXY COATED
Tags	PARWALL ; FINE-MESH ; BASKETS ; LOUVERED-PANEL ; KANBAN



Model: WS70-SS36-3S3L (Freestanding, 6-Tier)
Category: Shelving
Subcategory: Modular Storage
Manufacturer: Quantum Medical
Catalog #: WS70-SS36-3S3L

Atta 3 ID: SHL-B49FA

Six tier modular storage shelving unit. 36"W x 26"D x 74"H. Includes 36"W single sided frame, three 36"W x 12"D baskets, three 36"W x 18"D baskets, 36"W dust shelf, fifteen 12"D and 18"D dividers, and six label holders. 36" W x 26" D x 74" H

General Production Detail

Arch Sig: Yes	Spatial Sig: No
Arch Code: 01-Fixed Equipment	ADA: No
Critical Path: No	Antimicrobial: No
Type: Non-Medical	Green: No
Furnish Install: Owner / Contractor	

Electrical Requirements

Volts:	Watts: N/A
Hz: N/A	Amps: N/A
KVA:	Circuit: No
UPS: N/A	Plug Type: N/A
Emerg. Power: No	Plug Detail:
Other Volts Avail.: No	Electrical Phase: N/A
BTU/hr: N/A	
Electrical notes:	

Physical Requirements

Width (in.): 36.0000	Left (in.): N/A
Depth (in.): 26.0000	Right (in.): N/A
Height (in.): 74.0000	Front (in.): N/A
Product Weight (lbs): 133.0000	Back (in.): N/A
Max Operating Weight (lbs):	Top (in.): N/A
Mounting: Floor - Mobile	Bottom (in.): N/A
Specification notes:	

Utility Requirements

Water - Cold: No	Gas Type:
Water - Hot: No	Gas Location:
Water - Treated: No	Medical Gas: No
Drain: No	Vent Type:
Drain Location:	Heat Dissipation: N/A
Steam: No	Dissipation Type: Actual
Vacuum - Den. / Med.: No/No	
Plumbing notes:	
Mechanical notes:	

Structural Requirements

Seismic: Yes	OPA #:
	Pre-Approval:
Structural notes:	

Technology Requirements

Patient Data: No	Network:
Connection Type: N/A	System:
Technical Connection notes:	

Locations

Level	Arch Dept	Room	Room #	Status	Item Qty	Ext Total Config
Level 7	Patient Care Support	Equipment Storage (West)	7822	New	1	\$1,601.80
Level 7	Respiratory Therapy	RT Clean Storage	7719	New	2	\$3,203.60
Level 7	Patient Care Support	Clean Supply	7512, 7718, 7812	New	1	\$4,805.40
Level 7	Patient Care Support	Equipment Storage (East)	7501	New	1	\$1,601.80
Level 7	Pharmacy	Med Room	7521, 7716, 7821	New	1	\$4,805.40

Freestanding, Single Sided, Mobile – Six Tier



Model #: WS70-SS36-3S3L

Dimensions:

- 36" W x 26" D x 74" H

Description:

36" W Partition Wall – Freestanding, Frame Mount, Mobile, 6-Tier

Components include:

- (1) 36"W Single Sided Frame, Mobile
- (3) 36"W x 12"D Baskets
- (3) 36"W x 18"D Baskets
- (1) 36"W Dust Shelf
- (15) 12"D Dividers
- (15) 18" Dividers
- (6) Label Holders





Model: EV Collection - E0700
Category: Sofa
Subcategory: Sleeper/Convertible
Manufacturer: Knu Contract / La-Z-Boy Contract Furniture
Catalog #: E0700

Atta 3 ID: SOF-953A6

Sleeper/convertible sofa. Features: Standard upholstered arms, (4) 3-inch dual wheel locking casters, heavy duty steel pull-out bed mechanism, high resiliency seat and back foam. Weight capacity 600 pounds. GreenGuard certified. Price is based on COM fabric.

General Production Detail

Arch Sig: No	Spatial Sig: Yes
Arch Code: 05-Furniture	ADA: No
Critical Path: No	Antimicrobial: No
Type: Non-Medical	Green: Yes
Furnish Install: Owner / Owner	

Electrical Requirements

Volts:	Watts: N/A
Hz: N/A	Amps: N/A
KVA:	Circuit: No
UPS: N/A	Plug Type: N/A
Emerg. Power: No	Plug Detail:
Other Volts Avail.: No	Electrical Phase: N/A
BTU/hr: N/A	
Electrical notes:	

Physical Requirements

Width (in.): 32.0000	Left (in.): N/A
Depth (in.): 34.2500	Right (in.): N/A
Height (in.): 34.5000	Front (in.): 48.0000
Product Weight (lbs): 158.0000	Back (in.): N/A
Max Operating Weight (lbs):	Top (in.): N/A
Mounting: Floor	Bottom (in.): N/A
Specification notes:	

Utility Requirements

Water - Cold: No	Gas Type:
Water - Hot: No	Gas Location:
Water - Treated: No	Medical Gas: No
Drain: No	Vent Type:
Drain Location:	Heat Dissipation: N/A
Steam: No	Dissipation Type: Actual
Vacuum - Den. / Med.: No/No	
Plumbing notes:	
Mechanical notes:	

Structural Requirements

Seismic: No	OPA #:
	Pre-Approval:
Structural notes:	

Technology Requirements

Patient Data: No	Network:
Connection Type: N/A	System:
Technical Connection notes:	

Locations

Level	Arch Dept	Room	Room #	Status	Item Qty	Ext Total Config
Level 7	Critical Care	Critical Care - Patient of Size	720	New	1	--
Level 7	Critical Care	Critical Care	718, 719, 722, 723, 724, 725, 726, 727, 728, 729, 730, 731, 732, 733, 734	New	1	--
Level 7	Progressive Care	Progressive Care	701, 702, 703, 704, 705, 706, 707, 708, 709, 710, 711, 712	New	1	--
Level 7	Critical Care	Critical Care - Isolation	714, 715, 716, 717	New	1	--

Total: 32

Spec Sheet | Printed 07.15.23

E0700

EV Collection

32" Sleep Chair
by Knú Healthcare®



Dimensions

32" Sleep Chair

E0700

Width:	32"	Seat D:	19.75"	Weight:	158 lbs.
Depth:	34.25"	Seat H:	21"	Sleep Depth:	72"
Height:	34.5"	Wgt Cap:	600 lbs.	Sleep Width:	26.5"
COM:	7 yds	Back H:	18.25"		
Seat W:	26.5"	Arm H:	27.5"		

Certifications



Features

Standard Features

- Fully Upholstered Arms
- Bolsa™ Seat Coils providing Long-Lasting Cushions and Maximum Comfort
- 3" Dual Wheel Casters
- 600 lb Weight Capacity | Bariatric Rated
- Heavy-Duty Steel Pull-Out Bed Mechanism
- Easy to Open and Close
- 3 Positions: Chair, Chaise, Bed
- High Resiliency Seat + Back Foam

Options

- Urethane Arm Caps
- Wood Arm Caps
- Solid Surface Arm Caps
- CAL TB133



Model:Haven 4973-W
Category: Sofa
Subcategory: Lounge
Manufacturer:Arcadia
Catalog #: 4973-W

Atta 3 ID: SOF-B2032

Lounge sofa. Features: Upholstered arms and wood arm caps. List price reflects COM fabric. Microban antimicrobial technology applied to wood finishing for inhibiting the growth of stain and odor-causing bacteria. Must select upholstery and wood finish. LEED credit and SCS Indoor Advantage Gold certified.

General Production Detail

Arch Sig: No	Spatial Sig: Yes
Arch Code: 05-Furniture	ADA: No
Critical Path: No	Antimicrobial: Yes
Type: Non-Medical	Green: Yes
Furnish Install: Owner / Owner	

Physical Requirements

Width (in.): 76.7500	Left (in.): N/A
Depth (in.): 30.5000	Right (in.): N/A
Height (in.): 34.5000	Front (in.): N/A
Product Weight (lbs): 150.0000	Back (in.): N/A
Max Operating Weight (lbs):	Top (in.): N/A
Mounting: Floor	Bottom (in.): N/A
Specification notes:	

Structural Requirements

Seismic: No	OPA #:
	Pre-Approval:
Structural notes:	

Technology Requirements

Patient Data: No	Network:
Connection Type: N/A	System:
Technical Connection notes:	

Electrical Requirements

Volts:	Watts: N/A
Hz: N/A	Amps: N/A
KVA:	Circuit: No
UPS: N/A	Plug Type: N/A
Emerg. Power: No	Plug Detail:
Other Volts Avail.: No	Electrical Phase: N/A
BTU/hr: N/A	
Electrical notes:	

Utility Requirements

Water - Cold: No	Gas Type:
Water - Hot: No	Gas Location:
Water - Treated: No	Medical Gas: No
Drain: No	Vent Type:
Drain Location:	Heat Dissipation: N/A
Steam: No	Dissipation Type: Actual
Vacuum - Den. / Med.: No/No	
Plumbing notes:	
Mechanical notes:	

Locations

Level	Arch Dept	Room	Room #	Status	Item Qty	Ext Total Config
Level 7	Critical Care	Critical Care	718, 719, 722, 723, 724, 725, 726, 727, 728, 729, 730, 731, 732, 733, 734	New	1	--
Level 7	Critical Care	Critical Care - Isolation	714, 715, 716, 717	New	1	--
Level 7	Progressive Care	Progressive Care	701, 702, 703, 704, 705, 706, 707, 708, 709, 710, 711, 712	New	1	--
Level 7	Critical Care	Critical Care - Patient of Size	720	New	1	--



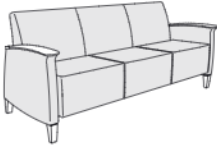
Total: 32

HAVEN LOUNGE // DESIGNED BY DAVID DAHL

ORDERING REQUIREMENTS:

- » Model number
- » Upholstery selection
- » Frame finish
- » Options, as applicable
- » Arm cap finish

Note: For Corian arm caps, specify '-CO' in place of '-W' after model number and refer to options below for upcharge.

MODEL NUMBER	PRODUCT SPECIFICATIONS	FABRIC GRADES										LEATHER							
		COM	A	1	2	COL					3	4	5	6	7	8	L1	L2	
4971-W M4971-W (METAL LEGS) 	Lounge Chair, Upholstered Arm Wood Arm Caps W 29 ¹ / ₂ D 30 ¹ / ₂ H 34 ¹ / ₂ Seat Height 18 Inside Seat Width 23 Inside Seat Depth 18 ¹ / ₂ Arm Height 25 ³ / ₄ 5 ¹ / ₂ yds. 84 lbs. COL 110 sq. ft.	Wood Frame	2255	2552	2701	2794	2948	3113	3267	3421	3564	3735	4450	4994					
		Metal Frame	2188	2485	2634	2727	2881	3046	3200	3354	3497	3668	4383	4927					
4972-W M4972-W (METAL LEGS) 	Love Seat, Upholstered Arm Wood Arm Caps W 53 ¹ / ₄ D 30 ¹ / ₂ H 34 ¹ / ₂ Seat Height 18 Inside Seat Width 47 Inside Seat Depth 18 ¹ / ₂ Arm Height 25 ³ / ₄ 7 ¹ / ₂ yds. 118 lbs. COL 150 sq. ft.	Wood Frame	2895	3300	3503	3630	3840	4065	4275	4485	4680	4913	5888	6630					
		Metal Frame	2809	3214	3417	3544	3754	3979	4189	4399	4594	4827	5802	6544					
<div style="border: 1px solid red; padding: 2px;">4973-W</div> M4973-W (METAL LEGS) 	Sofa, Upholstered Arm Wood Arm Caps W 76 ³ / ₄ D 30 ¹ / ₂ H 34 ¹ / ₂ Seat Height 18 Inside Seat Width 70 ¹ / ₂ Inside Seat Depth 18 ¹ / ₂ Arm Height 25 ³ / ₄ 9 ¹ / ₂ yds. 150 lbs. COL 190 sq. ft.	Wood Frame	3911	4424	4681	4842	5108	5393	5659	5925	6172	6467	7702	8642					
		Metal Frame	3797	4310	4567	4728	4994	5279	5545	5811	6058	6353	7588	8528					

OPTIONS		
-CO05	Corian Arm Cap (per arm)	198
-SC02	Replaceable Seat Cover (all models, per seat)	72
-BC02	Replaceable Back Cover (lounge model only, per back)	55
-MB02	Moisture Barrier, Lounge (seat only)	115
-MB03	Moisture Barrier, Love Seat (seat only)	175
-MB05	Moisture Barrier, Sofa (seat only)	259
-NS04	Non-Skid Glides (per chair)	23
-C02	Casters (lounge model only)	58
-CHR02	Cup Holder (polished aluminum)	229
-P01	Pull (lounge model only, when specified with casters)	60
-TAR08	Veneer/Laminate Rotating Tablet, Right (as seated)	464
-TAL08	Veneer/Laminate Rotating Tablet, Left (as seated)	464
-TAR08-CO	Corian Rotating Tablet, Right (as seated)	783
-TAL08-CO	Corian Rotating Tablet, Left (as seated)	783
-PX1(-)	Power Matrix 1 (one power, one USB-A, one USB-C)	449
-PX2(-)	Power Matrix 2 (dual power, one USB-A, one USB-C)	470



Model: Wire Cart 24" x 24" x 74"
Category: Cart, Supply
Subcategory: Chrome, 24 inch
Manufacturer: Quantum Medical
Catalog #: WRS4-74-2424SS

Atta 3 ID: SPC-6CB41

24 inch chrome supply cart. Features: 24 x 24 x 74 inches dimensions. 600 lbs. load capacity. Stainless Steel shelf finish. 24 inch shelf width.

General Production Detail

Arch Sig: No	Spatial Sig: No
Arch Code: 03-Movable Non-Electrical	ADA: No
Critical Path: No	Antimicrobial: No
Type: Non-Medical	Green: No
Furnish Install: Owner / Owner	

Electrical Requirements

Volts:	Watts: N/A
Hz: N/A	Amps: N/A
KVA:	Circuit: No
UPS: N/A	Plug Type: N/A
Emerg. Power: No	Plug Detail:
Other Volts Avail.: No	Electrical Phase: N/A
BTU/hr: N/A	
Electrical notes:	

Physical Requirements

Width (in.): 24.0000	Left (in.): N/A
Depth (in.): 24.0000	Right (in.): N/A
Height (in.): 74.0000	Front (in.): N/A
Product Weight (lbs): 78.0000	Back (in.): N/A
Max Operating Weight (lbs):	Top (in.): N/A
Mounting: Floor - Mobile	Bottom (in.): N/A
Specification notes:	

Utility Requirements

Water - Cold: No	Gas Type:
Water - Hot: No	Gas Location:
Water - Treated: No	Medical Gas: No
Drain: No	Vent Type:
Drain Location:	Heat Dissipation: N/A
Steam: No	Dissipation Type: Actual
Vacuum - Den. / Med.: No/No	
Plumbing notes:	
Mechanical notes:	

Structural Requirements

Seismic: No	OPA #:
	Pre-Approval:
Structural notes:	

Technology Requirements

Patient Data: No	Network:
Connection Type: N/A	System:
Technical Connection notes:	

Locations

Level	Arch Dept	Room	Room #	Status	Item Qty	Ext Total Config
Level 7	Respiratory Therapy	RT Decontam	7720	New	1	\$1,335.99

Total: 1



4 Shelf Starter Kits

Solid shelves are a solution where dirt, dust and spills are a potential issue. The solid flat surface allows for storage from small to large items and the marine edge perimeter prevents spillage. The double hemmed 18 gauge 304 stainless steel gives the solid shelf excellent strength characteristics. All solid shelf units consist of 4 shelves and 4 posts. Mobilize starter kit shelving unit using optional mobile kit **WR-00H**. See pg. 79. **Finish:** Stainless Steel



MOBILIZE YOUR SHELVING

DB - Donut Bumper
Non-marking donut bumper used to protect walls and help cushion impact.

WR-00H (Mobile Kit)*
Set of four swivel polyurethane 5" x 1-1/4" casters, two with brakes. Can be used with all units shown. 1,200 lb. load capacity. *Mobile kits recommended only for shelves 18" and wider.



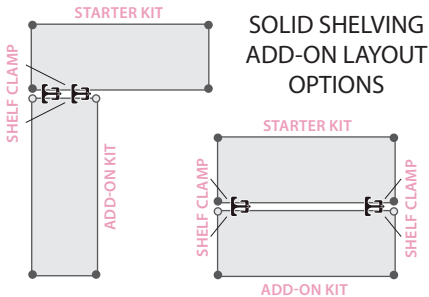
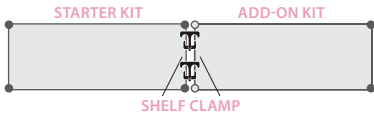
STARTER KIT



QSMC Shelf Clamp
Shelf Clamp eliminates 2 post per shelving section. Two QSMC clamps are required per shelf. **Finish:** Aluminum

4 Shelf Add-On Kits

Additional Add-On kit allows you to expand your Starter kit by sharing a set of posts. Configuration options include straight line, back to back and right angles (L-Shape). Add-On units consist of 4 shelves, 2 posts and 8 shelf clamps. Additional shelves may be purchased separately. See chart on pg. 39. Units with Add-On kit cannot be made mobile. **Finish:** Stainless Steel



54"H STAINLESS SOLID SHELVING 4 SHELVES					63"H STAINLESS SOLID SHELVING 4 SHELVES				
STARTER KIT			ADD-ON KIT		STARTER KIT			ADD-ON KIT	
SHELF W" x L"	MODEL NO.	SHIP WGT	MODEL NO.	SHIP WGT	MODEL NO.	SHIP WGT	MODEL NO.	SHIP WGT	SHIP WGT
14" x 36"	WRS4-54-1436SS	68 lbs	WRSAD4-54-1436SS	65 lbs	WRS4-63-1436SS	72 lbs	WRSAD4-63-1436SS	67 lbs	
14" x 42"	WRS4-54-1442SS	72 lbs	WRSAD4-54-1442SS	69 lbs	WRS4-63-1442SS	76 lbs	WRSAD4-63-1442SS	71 lbs	
14" x 48"	WRS4-54-1448SS	80 lbs	WRSAD4-54-1448SS	77 lbs	WRS4-63-1448SS	84 lbs	WRSAD4-63-1448SS	79 lbs	
14" x 54"	WRS4-54-1454SS	92 lbs	WRSAD4-54-1454SS	89 lbs	WRS4-63-1454SS	96 lbs	WRSAD4-63-1454SS	91 lbs	
14" x 60"	WRS4-54-1460SS	100 lbs	WRSAD4-54-1460SS	97 lbs	WRS4-63-1460SS	104 lbs	WRSAD4-63-1460SS	99 lbs	
14" x 72"	WRS4-54-1472SS	116 lbs	WRSAD4-54-1472SS	113 lbs	WRS4-63-1472SS	120 lbs	WRSAD4-63-1472SS	115 lbs	
18" x 24"	WRS4-54-1824SS	56 lbs	WRSAD4-54-1824SS	53 lbs	WRS4-63-1824SS	60 lbs	WRSAD4-63-1824SS	55 lbs	
18" x 30"	WRS4-54-1830SS	68 lbs	WRSAD4-54-1830SS	65 lbs	WRS4-63-1830SS	72 lbs	WRSAD4-63-1830SS	67 lbs	
18" x 36"	WRS4-54-1836SS	76 lbs	WRSAD4-54-1836SS	73 lbs	WRS4-63-1836SS	80 lbs	WRSAD4-63-1836SS	75 lbs	
18" x 42"	WRS4-54-1842SS	84 lbs	WRSAD4-54-1842SS	81 lbs	WRS4-63-1842SS	88 lbs	WRSAD4-63-1842SS	83 lbs	
18" x 48"	WRS4-54-1848SS	92 lbs	WRSAD4-54-1848SS	89 lbs	WRS4-63-1848SS	96 lbs	WRSAD4-63-1848SS	91 lbs	
18" x 54"	WRS4-54-1854SS	100 lbs	WRSAD4-54-1854SS	97 lbs	WRS4-63-1854SS	104 lbs	WRSAD4-63-1854SS	99 lbs	
18" x 60"	WRS4-54-1860SS	108 lbs	WRSAD4-54-1860SS	105 lbs	WRS4-63-1860SS	112 lbs	WRSAD4-63-1860SS	107 lbs	
18" x 72"	WRS4-54-1872SS	120 lbs	WRSAD4-54-1872SS	117 lbs	WRS4-63-1872SS	124 lbs	WRSAD4-63-1872SS	119 lbs	
21" x 24"	WRS4-54-2124SS	64 lbs	WRSAD4-54-2124SS	61 lbs	WRS4-63-2124SS	68 lbs	WRSAD4-63-2124SS	63 lbs	
21" x 30"	WRS4-54-2130SS	72 lbs	WRSAD4-54-2130SS	69 lbs	WRS4-63-2130SS	76 lbs	WRSAD4-63-2130SS	71 lbs	
21" x 36"	WRS4-54-2136SS	84 lbs	WRSAD4-54-2136SS	81 lbs	WRS4-63-2136SS	88 lbs	WRSAD4-63-2136SS	83 lbs	
21" x 42"	WRS4-54-2142SS	96 lbs	WRSAD4-54-2142SS	93 lbs	WRS4-63-2142SS	100 lbs	WRSAD4-63-2142SS	95 lbs	
21" x 48"	WRS4-54-2148SS	104 lbs	WRSAD4-54-2148SS	101 lbs	WRS4-63-2148SS	108 lbs	WRSAD4-63-2148SS	103 lbs	
21" x 54"	WRS4-54-2154SS	112 lbs	WRSAD4-54-2154SS	109 lbs	WRS4-63-2154SS	116 lbs	WRSAD4-63-2154SS	111 lbs	
21" x 60"	WRS4-54-2160SS	124 lbs	WRSAD4-54-2160SS	121 lbs	WRS4-63-2160SS	128 lbs	WRSAD4-63-2160SS	123 lbs	
21" x 72"	WRS4-54-2172SS	132 lbs	WRSAD4-54-2172SS	129 lbs	WRS4-63-2172SS	136 lbs	WRSAD4-63-2172SS	131 lbs	
24" x 24"	WRS4-54-2424SS	72 lbs	WRSAD4-54-2424SS	69 lbs	WRS4-63-2424SS	76 lbs	WRSAD4-63-2424SS	71 lbs	
24" x 30"	WRS4-54-2430SS	80 lbs	WRSAD4-54-2430SS	77 lbs	WRS4-63-2430SS	84 lbs	WRSAD4-63-2430SS	79 lbs	
24" x 36"	WRS4-54-2436SS	88 lbs	WRSAD4-54-2436SS	85 lbs	WRS4-63-2436SS	92 lbs	WRSAD4-63-2436SS	87 lbs	
24" x 42"	WRS4-54-2442SS	100 lbs	WRSAD4-54-2442SS	97 lbs	WRS4-63-2442SS	104 lbs	WRSAD4-63-2442SS	99 lbs	
24" x 48"	WRS4-54-2448SS	108 lbs	WRSAD4-54-2448SS	105 lbs	WRS4-63-2448SS	112 lbs	WRSAD4-63-2448SS	107 lbs	
24" x 54"	WRS4-54-2454SS	124 lbs	WRSAD4-54-2454SS	121 lbs	WRS4-63-2454SS	128 lbs	WRSAD4-63-2454SS	123 lbs	
24" x 60"	WRS4-54-2460SS	136 lbs	WRSAD4-54-2460SS	133 lbs	WRS4-63-2460SS	140 lbs	WRSAD4-63-2460SS	135 lbs	
24" x 72"	WRS4-54-2472SS	148 lbs	WRSAD4-54-2472SS	145 lbs	WRS4-63-2472SS	152 lbs	WRSAD4-63-2472SS	147 lbs	

Shelving units include 4 posts and 4 shelves. Add-On units include 2 posts, 4 shelves and 8 shelf clamps.

18 Gauge 304 Stainless Steel

74"H STAINLESS SOLID SHELVING 4 SHELVES					86"H STAINLESS SOLID SHELVING 4 SHELVES				
STARTER KIT			ADD-ON KIT		STARTER KIT			ADD-ON KIT	
SHELF W" x L"	MODEL NO.	SHIP WGT	MODEL NO.	SHIP WGT	MODEL NO.	SHIP WGT	MODEL NO.	SHIP WGT	SHIP WGT
14" x 36"	WRS4-74-1436SS	72 lbs	WRSAD4-74-1436SS	67 lbs	WRS4-86-1436SS	76 lbs	WRSAD4-86-1436SS	69 lbs	
14" x 42"	WRS4-74-1442SS	76 lbs	WRSAD4-74-1442SS	71 lbs	WRS4-86-1442SS	80 lbs	WRSAD4-86-1442SS	73 lbs	
14" x 48"	WRS4-74-1448SS	84 lbs	WRSAD4-74-1448SS	79 lbs	WRS4-86-1448SS	88 lbs	WRSAD4-86-1448SS	81 lbs	
14" x 54"	WRS4-74-1454SS	96 lbs	WRSAD4-74-1454SS	91 lbs	WRS4-86-1454SS	100 lbs	WRSAD4-86-1454SS	93 lbs	
14" x 60"	WRS4-74-1460SS	104 lbs	WRSAD4-74-1460SS	99 lbs	WRS4-86-1460SS	108 lbs	WRSAD4-86-1460SS	101 lbs	
14" x 72"	WRS4-74-1472SS	120 lbs	WRSAD4-74-1472SS	115 lbs	WRS4-86-1472SS	124 lbs	WRSAD4-86-1472SS	117 lbs	
18" x 24"	WRS4-74-1824SS	60 lbs	WRSAD4-74-1824SS	55 lbs	WRS4-86-1824SS	64 lbs	WRSAD4-86-1824SS	57 lbs	
18" x 30"	WRS4-74-1830SS	72 lbs	WRSAD4-74-1830SS	67 lbs	WRS4-86-1830SS	76 lbs	WRSAD4-86-1830SS	69 lbs	
18" x 36"	WRS4-74-1836SS	80 lbs	WRSAD4-74-1836SS	75 lbs	WRS4-86-1836SS	84 lbs	WRSAD4-86-1836SS	77 lbs	
18" x 42"	WRS4-74-1842SS	88 lbs	WRSAD4-74-1842SS	83 lbs	WRS4-86-1842SS	92 lbs	WRSAD4-86-1842SS	85 lbs	
18" x 48"	WRS4-74-1848SS	96 lbs	WRSAD4-74-1848SS	91 lbs	WRS4-86-1848SS	100 lbs	WRSAD4-86-1848SS	93 lbs	
18" x 54"	WRS4-74-1854SS	104 lbs	WRSAD4-74-1854SS	99 lbs	WRS4-86-1854SS	108 lbs	WRSAD4-86-1854SS	101 lbs	
18" x 60"	WRS4-74-1860SS	112 lbs	WRSAD4-74-1860SS	107 lbs	WRS4-86-1860SS	116 lbs	WRSAD4-86-1860SS	109 lbs	
18" x 72"	WRS4-74-1872SS	124 lbs	WRSAD4-74-1872SS	119 lbs	WRS4-86-1872SS	128 lbs	WRSAD4-86-1872SS	121 lbs	
21" x 24"	WRS4-74-2124SS	68 lbs	WRSAD4-74-2124SS	63 lbs	WRS4-86-2124SS	72 lbs	WRSAD4-86-2124SS	65 lbs	
21" x 30"	WRS4-74-2130SS	76 lbs	WRSAD4-74-2130SS	71 lbs	WRS4-86-2130SS	80 lbs	WRSAD4-86-2130SS	73 lbs	
21" x 36"	WRS4-74-2136SS	88 lbs	WRSAD4-74-2136SS	83 lbs	WRS4-86-2136SS	92 lbs	WRSAD4-86-2136SS	85 lbs	
21" x 42"	WRS4-74-2142SS	100 lbs	WRSAD4-74-2142SS	95 lbs	WRS4-86-2142SS	104 lbs	WRSAD4-86-2142SS	97 lbs	
21" x 48"	WRS4-74-2148SS	108 lbs	WRSAD4-74-2148SS	103 lbs	WRS4-86-2148SS	112 lbs	WRSAD4-86-2148SS	105 lbs	
21" x 54"	WRS4-74-2154SS	116 lbs	WRSAD4-74-2154SS	111 lbs	WRS4-86-2154SS	120 lbs	WRSAD4-86-2154SS	113 lbs	
21" x 60"	WRS4-74-2160SS	128 lbs	WRSAD4-74-2160SS	123 lbs	WRS4-86-2160SS	132 lbs	WRSAD4-86-2160SS	125 lbs	
21" x 72"	WRS4-74-2172SS	136 lbs	WRSAD4-74-2172SS	131 lbs	WRS4-86-2172SS	140 lbs	WRSAD4-86-2172SS	133 lbs	
24" x 24"	WRS4-74-2424SS	76 lbs	WRSAD4-74-2424SS	71 lbs	WRS4-86-2424SS	80 lbs	WRSAD4-86-2424SS	73 lbs	
24" x 30"	WRS4-74-2430SS	84 lbs	WRSAD4-74-2430SS	79 lbs	WRS4-86-2430SS	88 lbs	WRSAD4-86-2430SS	81 lbs	
24" x 36"	WRS4-74-2436SS	92 lbs	WRSAD4-74-2436SS	87 lbs	WRS4-86-2436SS	96 lbs	WRSAD4-86-2436SS	89 lbs	
24" x 42"	WRS4-74-2442SS	104 lbs	WRSAD4-74-2442SS	99 lbs	WRS4-86-2442SS	108 lbs	WRSAD4-86-2442SS	101 lbs	
24" x 48"	WRS4-74-2448SS	112 lbs	WRSAD4-74-2448SS	107 lbs	WRS4-86-2448SS	116 lbs	WRSAD4-86-2448SS	109 lbs	
24" x 54"	WRS4-74-2454SS	128 lbs	WRSAD4-74-2454SS	123 lbs	WRS4-86-2454SS	132 lbs	WRSAD4-86-2454SS	125 lbs	
24" x 60"	WRS4-74-2460SS	140 lbs	WRSAD4-74-2460SS	135 lbs	WRS4-86-2460SS	144 lbs	WRSAD4-86-2460SS	137 lbs	
24" x 72"	WRS4-74-2472SS	152 lbs	WRSAD4-74-2472SS	147 lbs	WRS4-86-2472SS	156 lbs	WRSAD4-86-2472SS	149 lbs	

Shelving units include 4 posts and 4 shelves. Add-On units include 2 posts, 4 shelves and 8 shelf clamps.



Model: WRCS4-63-2460EPBNV (w/Cover)
Category: Cart, Supply
Subcategory: Linen, 60 inch
Manufacturer: Quantum Medical
Catalog #: WRCS4-63-2460EPBNV

Atta 3 ID: SPC-B6312

Chrome wire linen cart. 60"W x 24"D x 69"H. Four tier with solid bottom, end and back screens, label holders, and blue velcro cover.

General Production Detail

Arch Sig: No	Spatial Sig: Yes
Arch Code: 03-Movable Non-Electrical	ADA: No
Critical Path: No	Antimicrobial: No
Type: Non-Medical	Green: No
Furnish Install: Owner / Owner	

Electrical Requirements

Volts:	Watts: N/A
Hz: N/A	Amps: N/A
KVA:	Circuit: No
UPS: N/A	Plug Type: N/A
Emerg. Power: No	Plug Detail:
Other Volts Avail.: No	Electrical Phase: N/A
BTU/hr: N/A	
Electrical notes:	

Physical Requirements

Width (in.): 60.0000	Left (in.): N/A
Depth (in.): 24.0000	Right (in.): N/A
Height (in.): 69.0000	Front (in.): N/A
Product Weight (lbs): 158.0000	Back (in.): N/A
Max Operating Weight (lbs):	Top (in.): N/A
Mounting: Floor - Mobile	Bottom (in.): N/A
Specification notes:	

Utility Requirements

Water - Cold: No	Gas Type:
Water - Hot: No	Gas Location:
Water - Treated: No	Medical Gas: No
Drain: No	Vent Type:
Drain Location:	Heat Dissipation: N/A
Steam: No	Dissipation Type: Actual
Vacuum - Den. / Med.: No/No	
Plumbing notes:	
Mechanical notes:	

Structural Requirements

Seismic: No	OPA #:
	Pre-Approval:
Structural notes:	

Technology Requirements

Patient Data: No	Network:
Connection Type: N/A	System:
Technical Connection notes:	

Locations

Level	Arch Dept	Room	Room #	Status	Item Qty	Ext Total Config
Level 7	Patient Care Support	Clean Supply	7512, 7718, 7812	New	2	\$5,033.94

Total: 6

Linen Carts

**COMPLETE CARTS
INCLUDE
caster kit for mobility!**



CART COVERS
Protect against pilferage, airborne dust, water and other contaminants!



WRCS4-63-2460EP



**NYLON FABRIC
OR CLEAR VINYL
CART COVERS
AVAILABLE!**
See pg. 61



WRDBS4-63-2460EP

**3 SIDED STEM CASTER LINEN CART
WITH 3 WIRE SHELVES AND 1 SOLID SHELF
WITH ENCLOSURE PANELS**

MODEL NO.	DIMENSIONS W" x L" x H"	SHIP WGT
63"H Post, 5" Stem Caster Unit with Solid Bottom Shelf and Enclosure Panels		
WRCS4-63-2436EP	24" x 36" x 69"	113 lbs
WRCS4-63-2448EP	24" x 48" x 69"	131 lbs
WRCS4-63-2460EP	24" x 60" x 69"	158 lbs
74"H Post, 5" Stem Caster Unit with Solid Bottom Shelf and Enclosure Panels		
WRCS4-74-2436EP	24" x 36" x 80"	113 lbs
WRCS4-74-2448EP	24" x 48" x 80"	131 lbs
WRCS4-74-2460EP	24" x 60" x 80"	158 lbs

- All units consist of:
- 4 - posts
 - 3 - wire shelves
 - 1 - solid shelf
 - 4 or 5 - enclosure panels

- Mobile unit also includes:
- 4 - 5" swivel poly stem casters, 2 with brake
 - 4 - donut bumpers

- Dolly Base unit also includes:
- 1 - dolly base
 - 4 - plate casters, 2 rigid and 2 swivel with brake

**3 SIDED DOLLY BASE LINEN CART
WITH 3 WIRE SHELVES AND 1 SOLID SHELF
WITH ENCLOSURE PANELS**

MODEL NO.	DIMENSIONS W" x L" x H"	SHIP WGT
63"H Post, Dolly Base Cart with Solid Bottom Shelf and Enclosure Panels		
WRDBS4-63-2436EP	24" x 36" x 70"	124 lbs
WRDBS4-63-2448EP	24" x 48" x 70"	142 lbs
WRDBS4-63-2460EP	24" x 60" x 70"	169 lbs
74"H Post, Dolly Base Cart with Solid Bottom Shelf and Enclosure Panels		
WRDBS4-74-2436EP	24" x 36" x 81"	124 lbs
WRDBS4-74-2448EP	24" x 48" x 81"	142 lbs
WRDBS4-74-2460EP	24" x 60" x 81"	169 lbs



Model: 767 Mobile Aneroid w/ Adult Cuff
Category: Sphygmomanometer
Subcategory: Aneroid, Mobile
Manufacturer: Baxter - Hillrom, Welch Allyn, Inc.
Catalog #: 7670-03

Atta 3 ID: SPH-A8FED

Mobile aneroid sphygmomanometer size-11 adult cuff. Features five-leg mobile stand, FlexiPort reusable, 2-tube cuff, 4-ft. coiled tube, latex and mercury-free.

General Production Detail

Arch Sig: No	Spatial Sig: No
Arch Code: 03-Movable Non-Electrical	ADA: No
Critical Path: No	Antimicrobial: No
Type: Medical	Green: No
Furnish Install: Owner / Owner	

Physical Requirements

Width (in.): 23.0000	Left (in.): N/A
Depth (in.): 23.0000	Right (in.): N/A
Height (in.): 46.0000	Front (in.): N/A
Product Weight (lbs): 14.0000	Back (in.): N/A
Max Operating Weight (lbs):	Top (in.): N/A
Mounting: Floor - Mobile	Bottom (in.): N/A
Specification notes:	

Structural Requirements

Seismic: No	OPA #:
	Pre-Approval:
Structural notes:	

Technology Requirements

Patient Data: No	Network:
Connection Type: N/A	System:
Technical Connection notes:	

Electrical Requirements

Volts:	Watts: N/A
Hz: N/A	Amps: N/A
KVA:	Circuit: No
UPS: N/A	Plug Type: N/A
Emerg. Power: No	Plug Detail:
Other Volts Avail.: No	Electrical Phase: N/A
BTU/hr: N/A	
Electrical notes:	

Utility Requirements

Water - Cold: No	Gas Type:
Water - Hot: No	Gas Location:
Water - Treated: No	Medical Gas: No
Drain: No	Vent Type:
Drain Location:	Heat Dissipation: N/A
Steam: No	Dissipation Type: Actual
Vacuum - Den. / Med.: No/No	
Plumbing notes:	
Mechanical notes:	

Locations

Level	Arch Dept	Room	Room #	Status	Item Qty	Ext Total Config
Level 7	Patient Care Support	Equipment Storage (West)	7822	New	1	\$641.00
Level 7	Patient Care Support	Equipment Storage (East)	7501	New	1	\$641.00

Total: 2



Benefits that matter.

The 767 Aneroid is a testament to Welch Allyn's nearly 100-year history of blood pressure innovation—combining the traditional benefits you have come to expect from Welch Allyn with improved aesthetics and a new, contemporary design.

Accurate

- Laser-engraved dial face provides unmatched accuracy
- Certified accurate to ± 3 mm Hg
- Recessed dial face and high-contrast red pointer increase visibility and reduce parallax errors

Reliable

- Jeweled movement contributes to a longer life
- Lifetime calibration warranty proves our commitment to durability

Convenient

- New 5-leg stand provides stability and maneuverability
- Built-in storage basket on wall and desktop model

Safe

- FlexiPort® blood pressure cuffs are antimicrobial treated to help prevent mildew and bacteria growth
- Latex-free
- Mercury-free

Ordering Information

767 Wall Aneroid

7670-01	767 Wall Aneroid with Reusable One-Piece Adult Cuff*
7670-01C	767 Wall Aneroid with Reusable One-Piece Child Cuff
7670-01KPA	767 Wall Aneroid (KPA) with Adult Cuff
7670-02	767 Wall Aneroid with 8 ft. Coiled Tubing (No cuff included)

767 Mobile Aneroid

7670-03	767 Mobile Aneroid on 5-Leg Stand with Reusable One-Piece Adult Cuff*
7670-03K	767 Mobile Aneroid on 5-Leg Stand Only (No cuff included)
7670-10	767 Mobile Aneroid with Reusable One-Piece Adult Cuff*
7670-10K	767 Mobile Aneroid with Reusable One-Piece Child Cuff
7670-10KPA	767 Mobile Aneroid (KPA) on 5-Leg Stand with Reusable One-Piece Adult Cuff
7670-70	767 Aneroid with Mobile Bracket

767 Desktop Aneroid

7670-16	767 Desktop Model with Reusable One-Piece Adult Cuff
7670-16KPA	767 Desktop Model (KPA) with Adult Cuff

*Model available with traditional two-piece cuff and bladder inflations system.
Add "CB" to the end of part number (e.g. 7670-01CB).

Not all models are available in all markets, check with your local Welch Allyn Representative. For more information about our blood pressure solutions, visit welchallyn.com.



Simple color changes and new rounded edges give the aneroid a modern look.



A new 5-leg mobile stand provides stability and maneuverability.

WelchAllyn®

Advancing Frontline Care™

Welch Allyn Corporate Headquarters
4341 State Street Road, P.O. Box 220
Skaneateles Falls, NY 13153-0220 U.S.A.
Telephone: +1.315.685.4602
+1.800.535.6663
Fax: +1.315.685.0054
E-mail: info@welchallyn.com

Welch Allyn European Customer Service: +353 46 90 67790
Australia: +61 29 638 3000
China: +86 21 6327 9631
France: +33 155 69 58 49
Germany: +49 6950 985 132
Latin America (Miami office): +1 305 669 9003

Malaysia: +603 78753341
Netherlands: +31 202 061 360
Singapore: +65 6419 8100
South Africa: +27 11 777 7555
Sweden: +46 858 536 551
United Kingdom: +44 207 365 6780



Model: P-1010-A-SS
Category: Stool
Subcategory: Step, w/Handrail
Manufacturer: Pedigo Products, Inc
Catalog #: P-1010-A-SS

Atta 3 ID: STL-6FBFF

Step stool with handrail. 16W x 12D x 8.25H (inches) platform. Stainless steel with rubberized non-slip surface and rubber floor tips. 300 lbs. weight capacity. Made in USA.

General Production Detail

Arch Sig: No	Spatial Sig: No
Arch Code: 03-Movable Non-Electrical	ADA: No
Critical Path: No	Antimicrobial: No
Type: Medical	Green: No
Furnish Install: Owner / Owner	

Physical Requirements

Width (in.): 16.0000	Left (in.): N/A
Depth (in.): 12.0000	Right (in.): N/A
Height (in.): 39.0000	Front (in.): N/A
Product Weight (lbs): 12.0000	Back (in.): N/A
Max Operating Weight (lbs):	Top (in.): N/A
Mounting: Floor	Bottom (in.): N/A
Specification notes:	

Structural Requirements

Seismic: No	OPA #:
	Pre-Approval:
Structural notes:	

Technology Requirements

Patient Data: No	Network:
Connection Type: N/A	System:
Technical Connection notes:	

Electrical Requirements

Volts:	Watts: N/A
Hz: N/A	Amps: N/A
KVA:	Circuit: No
UPS: N/A	Plug Type: N/A
Emerg. Power: No	Plug Detail:
Other Volts Avail.: No	Electrical Phase: N/A
BTU/hr: N/A	
Electrical notes:	

Utility Requirements

Water - Cold: No	Gas Type:
Water - Hot: No	Gas Location:
Water - Treated: No	Medical Gas: No
Drain: No	Vent Type:
Drain Location:	Heat Dissipation: N/A
Steam: No	Dissipation Type: Actual
Vacuum - Den. / Med.: No/No	
Plumbing notes:	
Mechanical notes:	

Locations

Level	Arch Dept	Room	Room #	Status	Item Qty	Ext Total Config
Level 7	Patient Care Support	Equipment Storage (West)	7822	New	2	\$704.00
Level 7	Patient Care Support	Equipment Storage (East)	7501	New	1	\$352.00

Total: 3

features

- Strong, all welded steel
- Legs constructed of 1" O.D. 16-gauge tubular steel
- Corrugated, black rubber top surface
- Rubber floor tips



P-10

Near Chrome Powder Coat

12"D x 16"W x 8"H
300 lbs. weight capacity



P-10-A

Near Chrome Powder Coat

- 12"D x 16"W x 8"H
300 lbs. weight capacity
- 39"H with handrail
 - Handrail constructed of 1"O.D. tubular steel



P-1010-A-SS

Stainless Steel

- 12"D x 16"W x 8"H
300 lbs. weight capacity
- 39"H with handrail
 - Handrail constructed of 1"O.D. tubular stainless



P-1010-SS

Stainless Steel

12"D x 16"W x 8"H
300 lbs. weight capacity



P-18-A

Near Chrome Powder Coat

- 12"D x 16"W x 16¼"H
300 lbs. weight capacity
- First step 9"H
 - Second step 16¼"H
 - 47"H with handrail
 - Handrail constructed of 1"O.D. tubular stainless



P-18

Near Chrome Powder Coat

- 12"D x 16"W x 16¼"H
300 lbs. weight capacity
- First step 9"H
 - Second step 16¼"H



P-11

Near Chrome Powder Coat

12"D x 30"W x 8"H
300 lbs. weight capacity



P-1011-SS

Stainless Steel

12"D x 30"W x 5"H
300 lbs. weight capacity



P-1012-SS

Stainless Steel

12"D x 30"W x 8"H
300 lbs. weight capacity

P-1015

Stainless Steel

- 14"D x 19"W x 6¼"H
650 lbs. weight capacity
- Safely stack for increased height
 - Interlock footstools to create larger platforms
 - Heavy gauge legs and handles



Stackable Footstool



Transport Cart

P-1015-TC

Stainless Steel

- 28"D x 14¾"W x 40¼"H
- Holds up to six P-1015
 - 3" Genesis diameter swivel casters
 - Genesis casters are maintenance-free (#62-B)



Model: SureTemp Plus 692 (Oral w/ ID)
Category: Thermometer
Subcategory: Digital, Wall Mount
Manufacturer: Baxter - Hillrom, Welch Allyn, Inc.
Catalog #: 01692-300

Atta 3 ID: THM-A8595

Digital wall mounted thermometer with interchangeable oral probe well. Features: Oral Probe with 9.0 ft/2.7 m Cord, Last Temperature Recall, 60-Second Pulse/Respiration Timer, Backlit Display with Electronic ID and Anti-Theft Security System, provides 4-6 Second Oral, 10-13 Second Pediatric Axillary and 12-15 Second Adult Axillary Temperature Readings in Fahrenheit or Celsius. Powered by 3 Alkaline AA batteries.

General Production Detail

Arch Sig: Yes	Spatial Sig: No
Arch Code: 01-Fixed Equipment	ADA: No
Critical Path: No	Antimicrobial: No
Type: Medical	Green: No
Furnish Install: Owner / Contractor	

Electrical Requirements

Volts:	Watts: N/A
Hz: N/A	Amps: N/A
KVA:	Circuit: No
UPS: N/A	Plug Type: N/A
Emerg. Power: No	Plug Detail:
Other Volts Avail.: No	Electrical Phase: N/A
BTU/hr: N/A	
Electrical notes:	

Physical Requirements

Width (in.): 3.1800	Left (in.): 4.0000
Depth (in.): 2.4300	Right (in.): 4.0000
Height (in.): 8.4600	Front (in.): N/A
Product Weight (lbs): 0.7800	Back (in.): N/A
Max Operating Weight (lbs):	Top (in.): 12.0000
Mounting: Wall	Bottom (in.): 48.0000
Specification notes:	

Utility Requirements

Water - Cold: No	Gas Type:
Water - Hot: No	Gas Location:
Water - Treated: No	Medical Gas: No
Drain: No	Vent Type:
Drain Location:	Heat Dissipation: N/A
Steam: No	Dissipation Type: Actual
Vacuum - Den. / Med.: No/No	
Plumbing notes:	
Mechanical notes:	

Structural Requirements

Seismic: No	OPA #:
	Pre-Approval:
Structural notes:	

Technology Requirements

Patient Data: No	Network:
Connection Type: N/A	System:
Technical Connection notes:	

Locations

Level	Arch Dept	Room	Room #	Status	Item Qty	Ext Total Config
Level 7	Critical Care	Critical Care - Patient of Size	720	New	1	\$587.00
Level 7	Progressive Care	Progressive Care	701, 702, 703, 704, 705, 706, 707, 708, 709, 710, 711, 712	New	1	\$7,044.00
Level 7	Critical Care	Critical Care - Isolation	714, 715, 716, 717	New	1	\$2,348.00
Level 7	Critical Care	Critical Care	718, 719, 722, 723, 724, 725, 726, 727, 728, 729, 730, 731, 732, 733, 734	New	1	\$8,805.00



Hillrom™



Welch Allyn
SureTemp Plus
Electronic Thermometers



WELCH ALLYN SURETEMP PLUS 690 ELECTRONIC THERMOMETER

- Removable probe well for easy cleaning
- Large, easy-to-read LCD
- C/F button for toggling between Fahrenheit and Celsius
- Recall button displays last temperature taken
- Rubberized grips
- Convenient storage for 25 probe covers
- Battery life indicator
- Mode button



OPTIONAL WALL MOUNT

The SureTemp Plus 690 with optional wall mount has storage for an additional 50 probe covers.

WELCH ALLYN SURETEMP PLUS 692 ELECTRONIC THERMOMETER

SAME FEATURES AS THE 690 MODEL, PLUS:

- NEW** Backlit display helps in low-light environments
- Pulse timer button/monitor mode

NEW FEATURE Easier to switch to Monitor Mode for measuring a patient's thermal steady state (approx. 3 to 5 minutes)



STANDARD WALL MOUNT

The SureTemp Plus 692 with standard wall mount has storage for an additional 50 probe covers.

Interchangeable rectal probe and well reduce risk of cross-contamination

IDEAL CARE SETTINGS:

- Family Practice
- Pediatrics
- Long-term Care
- Internal Medicine
- OB/Gyn



IDEAL CARE SETTINGS:

- Urgent Care
- MedSurge
- Maternity
- Emergency Medicine
- Oncology
- Cardiology



User-selectable icon and/or words for identification of thermometer mode

Battery life indicator

SETTING THE STANDARD OF CARE

Enhance a routine task with versatile, easy and accurate technology featuring oral, axillary and rectal modes to meet all your temperature taking needs.

1 EASY

An easy-to-read LCD display with flashing icons, and recall button displays last temperature taken. SureTemp Plus 692 model features a 60-second timer to support pulse and respiration readings.

3 FAST AND ACCURATE

The SureTemp Thermometer captures quick readings - approximately 4-6 seconds oral, 10-13 second pediatric axillary and rectal readings and 12-15 second adult axillary readings. Toggle between Celsius and Fahrenheit, or monitor mode that helps measure thermal steady state.

2 SAFE AND SECURE

Soft, single-use disposable covers help minimize cross-contamination risk, and interchangeable probe wells are easy to remove and clean as you switch between modes. The SureTemp Plus 692 model is designed with two security features to help protect against theft.

TECHNICAL SPECIFICATIONS

Calibration Accuracy	±0.2 °F (±0.1 °C) (Monitor Mode)
Temperature Predict Time	Oral: Approximately 4-6 seconds Adult Axillary (18 years and older): Approximately 12 - 15 seconds Pediatric Axillary (17 years and younger): Approximately 10 - 13 seconds Rectal: Approximately 10 - 13 seconds
Unit Dimensions	8.46" x 3.18" x 2.43" (215 mm x 81 mm x 62 mm)
Weight	Model 690: 12.6 oz (357 g), Model 692: 12.6 oz (357 g)
Ambient Temperature Range	50.0 °F (10 °C) to 104 °F (40.0 °C)
Patient Temperature Range	80.0 °F (26.7 °C) to 110 °F (43.3 °C)
Power Source	(3) 1.5 Vdc AA batteries
Battery Life	Model 690: Approximately 6,000 temperature, Model 692: Approximately 5,000 temperatures

PRODUCT AND ACCESSORY ORDERING INFORMATION

THERMOMETERS

690 MODELS:

01692-200: SureTemp Plus 692 Electronic Thermometer, Wall Mount, Security System with ID Location Field, Oral Probe and Oral Probe Well with 4ft cord

01692-201: SureTemp Plus 692 Electronic Thermometer, Wall Mount, Security System with ID Location Field, Rectal Probe and Rectal Probe Well with 4ft cord

01692-300: SureTemp Plus 692 Electronic Thermometer, One per room, Wall Mount, Oral Probe and Oral Probe Well with 9ft cord (must be locked to the wall)

01692-301: SureTemp Plus 692 Electronic Thermometer, One per room, Wall Mount, Rectal Probe and Rectal Probe Well with 9ft cord (must be locked to the wall)

01692-700: SureTemp Plus 692 Electronic Thermometer, Wall Mount, Oral Probe and Oral Probe Well with 9ft cord, with Rolling Stand and Holder for Spare Probe & Well

692 MODELS:

01692-200: SureTemp Plus 692 Electronic Thermometer, Wall Mount, Security System with ID Location Field, Oral Probe and Oral Probe Well with 4ft cord

01692-201: SureTemp Plus 692 Electronic Thermometer, Wall Mount, Security System with ID Location Field, Rectal Probe and Rectal Probe Well with 4ft cord

01692-300: SureTemp Plus 692 Electronic Thermometer, One per room, Wall Mount, Oral Probe and Oral Probe Well with 9ft cord (must be locked to the wall)

01692-301: SureTemp Plus 692 Electronic Thermometer, One per room, Wall Mount, Rectal Probe and Rectal Probe Well with 9ft cord (must be locked to the wall)

01692-700: SureTemp Plus 692 Electronic Thermometer, Wall Mount, Oral Probe and Oral Probe Well with 9ft cord, with Rolling Stand and Holder for Spare Probe & Well

ACCESSORIES

21326-0000: Wall Holder

21330-0000: Holder for Spare Probe and Well

06138-000: Calibration Key Assembly, 690/692

02892-000: Probe and Well Kit, 4ft, Rectal

02892-100: Probe and Well Kit, 9ft, Rectal

02893-000: Probe and Well Kit, 4ft, Oral

02893-100: Probe and Well Kit, 9ft, Oral

02891-0000: Probe Well, Blue

02891-1000: Probe Well, Red

08273-000: Thermometer Stand with Holder for Spare Probe and Well

21333-0000: Bracket, M600 Stand Upgrade, with Holder for Spare Probe and Well

98025-0000: Extended Warranty M692

REPLACEMENT PROBE COVERS

05031-101: Case of 1,000 Probe Covers

For more information, please contact your local distributor or Hillrom sales representative at 1-800-535-6663.

hillrom.com

Baxter, Hillrom, SureTemp, and Welch Allyn are trademarks of Baxter International, Inc. or its subsidiaries. APR209902 REV 1 21-OCT-2022 ENG- US



Model: TAT 5000
Category: Thermometer
Subcategory: Temporal Artery
Manufacturer: Exergen Corp
Catalog #: 124275S

Atta 3 ID: THM-E1206

Temporal artery thermometer. Disposable cover use option otherwise no disposable covers needed. Auto-shut off, low battery indicator. Selects most accurate of 1000 scans per second.

General Production Detail

Arch Sig: No	Spatial Sig: No
Arch Code: 03-Movable Non-Electrical	ADA: No
Critical Path: No	Antimicrobial: No
Type: Medical	Green: No
Furnish Install: Owner / Owner	

Physical Requirements

Width (in.): 2.0000	Left (in.): N/A
Depth (in.): 8.0000	Right (in.): N/A
Height (in.): 1.2500	Front (in.): N/A
Product Weight (lbs): 0.4930	Back (in.): N/A
Max Operating Weight (lbs):	Top (in.): N/A
Mounting: Counter/Cart/Table/Pole	Bottom (in.): N/A
Specification notes:	

Structural Requirements

Seismic: No	OPA #:
	Pre-Approval:
Structural notes:	

Technology Requirements

Patient Data: No	Network:
Connection Type: N/A	System:
Technical Connection notes:	

Electrical Requirements

Volts:	Watts: N/A
Hz: N/A	Amps: N/A
KVA:	Circuit: No
UPS: N/A	Plug Type: N/A
Emerg. Power: No	Plug Detail:
Other Volts Avail.: No	Electrical Phase: N/A
BTU/hr: N/A	
Electrical notes:	

Utility Requirements

Water - Cold: No	Gas Type:
Water - Hot: No	Gas Location:
Water - Treated: No	Medical Gas: No
Drain: No	Vent Type:
Drain Location:	Heat Dissipation: N/A
Steam: No	Dissipation Type: Actual
Vacuum - Den. / Med.: No/No	
Plumbing notes:	
Mechanical notes:	

Locations

Level	Arch Dept	Room	Room #	Status	Item Qty	Ext Total Config
Level 7	Patient Care Support	Equipment Storage (East)	7501	New	2	\$950.00
Level 7	Patient Care Support	Equipment Storage (West)	7822	New	2	\$950.00








Total: 4

Specification	TAT-5000
Clinical Accuracy	± 0.2°F or 0.1°C Per ASTM E1112
Temperature Range	61 to 110°F (16 to 43°C)
Arterial Heat Balance Range for Body Temperature*	94 to 110°F (34.5 to 43°C)
Operating Environment	60 to 104° F (16 to 40°C)
Resolution	0.1°F or C
Response Time	~ 0.04 seconds
Battery Life	15,000 readings**
Time Displayed on Screen	30 seconds
Size	2.0" x 8.0" x 1.25" (5 cm x 20 cm x 3 cm)
Weight	7.9 oz. (223 g)
Display Type and Size	Large bright LED's
Construction Method	<ul style="list-style-type: none"> • Industrial duty impact resistant casing • Hermetically sealed sensing system • Stainless steel probe

Complies with EN 60601-1 3rd edition

*Automatically applied when temperature is within normal body temperature range, otherwise reads surface temperature.

** Approximate number of readings when scanning for 5 seconds and reading the temperature display for 3 seconds before turning thermometer off.

	Symbol for Manufacturer		Do not throw this device away in the trash, contact Exergen Corp. for disposal and recycling instructions.
	Caution, Consult Accompanying Documents	IPX0	Ordinary Equipment
	Consult Instructions for Use		"On" (only for part of Equipment)
	Degree of Protection Against Electrical Shock Type BF Applied Part, Battery Operated		MEDICAL ELECTRICAL EQUIPMENT ANSI/AAMI/ES60601-1: 2005/(R)2012 3rd Edition including Amendment 1; CAN/CSA-C22.2 No. 60601.1: 2014; IEC 60601-1-6; ISO 80601-2-56: Particular Requirements For Basic Safety and Essential Performance of Clinical Thermometers For Body Temperature Measurement

Exergen TemporalScanner Temporal Artery Thermometer

Changing the Way the World Takes Temperature



EXERGEN CORPORATION • 400 PLEASANT STREET • WATERTOWN, MA 02472 • PH (617) 923-9900
www.exergen.com



Model: Baby Bear Oval KB208
Category: Table, Changing
Subcategory: Infant, Wall Mount
Manufacturer: Koala Kare Products
Catalog #: KB-208-Color

Atta 3 ID: TNF-34E03

Wall mounted infant changing station. Features: Supports weight capacity of up to 50 lbs. when properly installed. Includes child straps and bag hooks. Constructed of rotationally-molded high-density polyethylene with Microban antimicrobial. Folds up to wall when not in use. Reinforced full-length steel pivot rod secured in a metal tube hinge mechanism and mounting hardware included. Must select color. ASTM and EN compliant. TUV Certification. Meets ADA requirements when mounted properly.

General Production Detail

Arch Sig: Yes	Spatial Sig: Yes
Arch Code: 01-Fixed Equipment	ADA: No
Critical Path: No	Antimicrobial: Yes
Type: Medical	Green: No
Furnish Install: Owner / Contractor	

Electrical Requirements

Volts:	Watts: N/A
Hz: N/A	Amps: N/A
KVA:	Circuit: No
UPS: N/A	Plug Type: N/A
Emerg. Power: No	Plug Detail:
Other Volts Avail.: No	Electrical Phase: N/A
BTU/hr: N/A	
Electrical notes:	

Physical Requirements

Width (in.): 34.0000	Left (in.): N/A
Depth (in.): 21.0000	Right (in.): N/A
Height (in.): 21.0000	Front (in.): N/A
Product Weight (lbs): 20.0000	Back (in.): N/A
Max Operating Weight (lbs):	Top (in.): N/A
Mounting: Wall	Bottom (in.): N/A
Specification notes:	

Utility Requirements

Water - Cold: No	Gas Type:
Water - Hot: No	Gas Location:
Water - Treated: No	Medical Gas: No
Drain: No	Vent Type:
Drain Location:	Heat Dissipation: N/A
Steam: No	Dissipation Type: Actual
Vacuum - Den. / Med.: No/No	
Plumbing notes:	
Mechanical notes:	

Structural Requirements

Seismic: Yes	OPA #:
	Pre-Approval:
Structural notes:	

Technology Requirements

Patient Data: No	Network:
Connection Type: N/A	System:
Technical Connection notes:	

Locations

Level	Arch Dept	Room	Room #	Status	Item Qty	Ext Total Config
Level 7	Family Waiting	Toilet (public)	7504, 7505	New	1	\$1,072.00

Total: 2

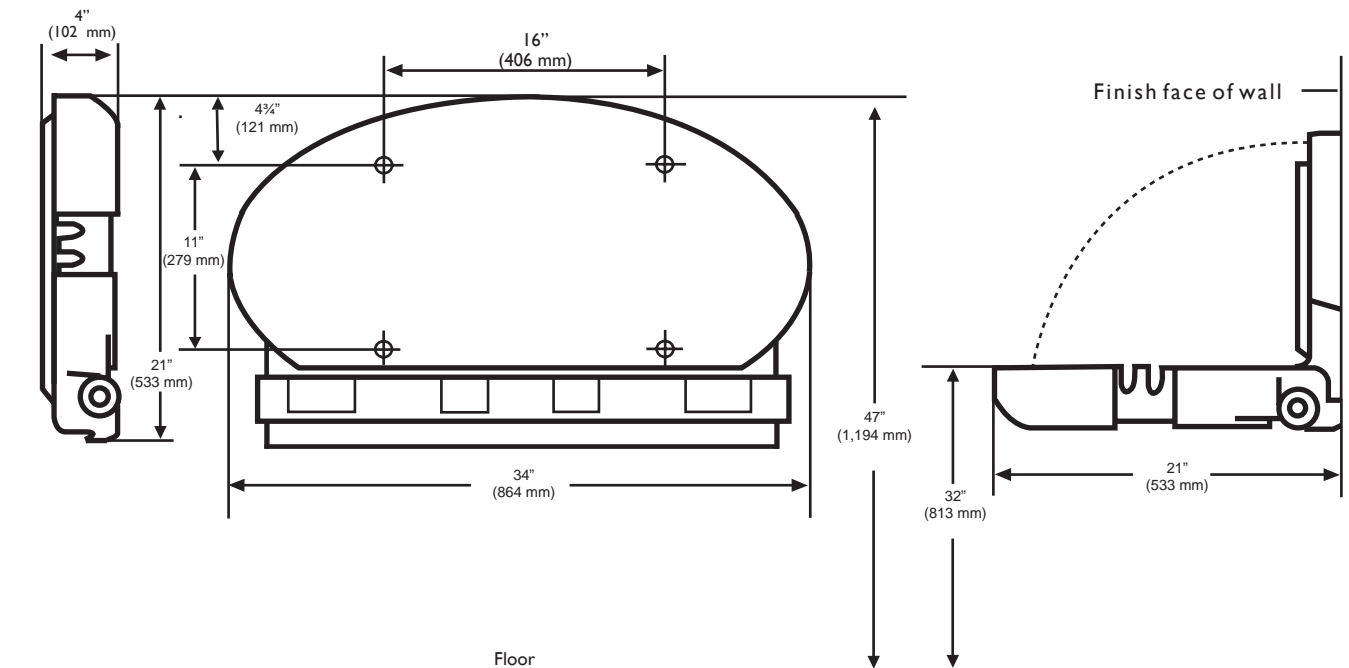
KOALA KARE PRODUCTS

KB208 OVAL WALL MOUNTED BABY CHANGING STATION

KB208-01 GREY

KB208-12 GREY GRANITE

KB208-14 SANDSTONE



We Care for Kids.

KB208 TECHNICAL DATA SHEET

MATERIALS:

Rotationally-molded high-density polyethylene with Microban® antimicrobial. Reinforced full-length steel pivot rod secured in a metal tube hinge mechanism and mounting hardware included. Safety messages in four languages. Contoured changing surface area is 308 sq in. (1987 sq cm) and comes complete with nylon safety straps and bag hooks.

OPERATION:

Concealed pneumatic cylinder and hinge structure provides controlled, slow opening and closing of bed. High-density polyethylene is easy to clean and resists odors and bacterial growth. Complies with ASTM static load performance requirements when properly installed.

Warning: To ensure that the unit supports the intended loads, baby changing stations must be properly installed according to the manufacturer's instructions.

SPECIFICATION:

Baby changing station body shall be durable, high-density polyethylene. Design of unit shall be surface-mounted, oval. Unit shall be equipped with a pneumatic cylinder for controlled opening and closing of bed. Bed shall be secured to back with a reinforced full-length steel pivot rod secured in a metal tube hinge. Unit shall have Microban® antimicrobial embedded into plastic material. No hinge structure shall be exposed on interior or exterior surfaces. Unit shall conform to ICC A117.1-2009 Accessible and Usable Buildings and Facilities, ASTM F 2285-04 Standard Consumer Safety Performance Specification for Diaper Changing Tables for Commercial Use, ANSI Z535.4 Product Safety Signs and Labels, EN 12221:2008, TUV Certified, and ASTM G21 Antifungal Standards or local code if more stringent installation requirements are applicable for Barrier-free accessibility. Unit shall comply with ADA regulations when properly installed. Bed shall have smooth concave changing area with a nylon safety strap and two hooks for bags or purses. Unit shall be backed by manufacturer's 5-year limited warranty on materials and workmanship and include a provision for replacement caused by vandalism. Unit shall be manufactured in the U.S.A.

INSTALLATION:

To ensure proper installation and compliance to building codes, it is recommended that a qualified person or carpenter perform the installation of the unit. The unit must be properly installed onto a permanent wall that is capable of supporting significant weight, and can accommodate the supplied installation hardware. The Koala Baby Changing Station meets ADA regulations when properly installed.

1. Remove the station from the shipping container and check for any freight damage. Identify the best location for installing the unit. Hold the unit in place and open the bed. Make sure you have taken the operating clearance into consideration.

2. Determine the best method of mounting based on the type of wall. You may have to purchase toggles.

3. The oval unit has four mounting holes provided in the back wall, positioned on a 16" (406 mm) stud center. If possible, locate the wood or metal studs for fastening the unit in the desired location. If the walls do not have studs on 16" center as outlined, make sure at least one side of the unit is installed into the stud. Use toggles for holes on the opposite side.

4. Find the stud where you will be attaching the left side of the unit to the wall. Measure up from the floor 42¼" (1,073 mm), at the center of the stud, and mark the wall. Mark remaining holes using a measuring tape to make sure the holes are precisely positioned. Hold unit in place to verify. Use a 1/8" drill bit to make pilot holes then use four ¼" x 3" panhead wood screws with washers (supplied) to secure the unit to the studs.

If the wall surface is masonry or tile over studs, use a 7/32" masonry drill bit for the pilot hole until you hit the stud. Change bit to 1/8" regular drill bit. Use four ¼" x 3" panhead wood screws with washers (supplied).

If the wall has wood studs that are not on 16" (406 mm) centers, has metal studs or an underlying surface of concrete block, drill with a ½" masonry bit. (You may have to purchase toggles before installing.) You must allow a minimum of inside wall space for toggles to turn, depending on toggles used. Insert and tighten toggles.

5. Once the unit has been secured to the wall, use the two screw hole plugs provided to cap the upper two mounting hole recesses. Position the plug over the recess and push it into place using hand pressure. Do not hammer the plug in as it will damage the plug. Once the plug is flush with the surface stop pushing and install the second one.

6. Position Koala sign (supplied) on the outside of the restroom door.

Replacement Parts: For a list of replacement parts for this product (such as straps, shocks and labels), please visit koalabear.com. Replacement parts and additional liners can be purchased from your local distributor or direct from Koala at koalabear.com.

The illustrations and descriptions herein are applicable to production as of the date of this Technical Data Sheet. The manufacturer reserves the right to, and does from time to time, make changes and improvements in designs and dimensions without notice.





Model:P009497 Single Top Overbed Table
Category: Table, Overbed
Subcategory: General
Manufacturer:Baxter - Hillrom, Room & Furniture
Catalog #: P009497

Atta 3 ID: TOB-8413F

General overbed table. Features: 19 x 32.5 in. base, 17 x 32 in. table and 28.5 to 42.5 in. adjustable height. 100 lbs. capacity evenly distributed.

General Production Detail

Arch Sig: No	Spatial Sig: No
Arch Code: 03-Movable Non-Electrical	ADA: No
Critical Path: No	Antimicrobial: No
Type: Medical	Green: No
Furnish Install: Owner / Owner	

Physical Requirements

Width (in.): 19.0000	Left (in.): N/A
Depth (in.): 32.5000	Right (in.): N/A
Height (in.): 42.5000	Front (in.): N/A
Product Weight (lbs): 50.0000	Back (in.): N/A
Max Operating Weight (lbs):	Top (in.): N/A
Mounting: Floor - Mobile	Bottom (in.): N/A
Specification notes:	

Structural Requirements

Seismic: No	OPA #:
	Pre-Approval:
Structural notes:	

Technology Requirements

Patient Data: No	Network:
Connection Type: N/A	System:
Technical Connection notes:	

Electrical Requirements

Volts:	Watts: N/A
Hz: N/A	Amps: N/A
KVA:	Circuit: No
UPS: N/A	Plug Type: N/A
Emerg. Power: No	Plug Detail:
Other Volts Avail.: No	Electrical Phase: N/A
BTU/hr: N/A	
Electrical notes:	

Utility Requirements

Water - Cold: No	Gas Type:
Water - Hot: No	Gas Location:
Water - Treated: No	Medical Gas: No
Drain: No	Vent Type:
Drain Location:	Heat Dissipation: N/A
Steam: No	Dissipation Type: Actual
Vacuum - Den. / Med.: No/No	
Plumbing notes:	
Mechanical notes:	

Locations

Level	Arch Dept	Room	Room #	Status	Item Qty	Ext Total Config
Level 7	Progressive Care	Progressive Care	701, 702, 703, 704, 705, 706, 707, 708, 709, 710, 711, 712	New	1	\$5,987.52
Level 7	Critical Care	Critical Care - Patient of Size	720	New	1	\$498.96
Level 7	Critical Care	Critical Care - Isolation	714, 715, 716, 717	New	1	\$1,995.84
Level 7	Critical Care	Critical Care	718, 719, 722, 723, 724, 725, 726, 727, 728, 729, 730, 731, 732, 733, 734	New	1	\$7,484.40

Dual Top Overbed Table

FEATURES AND BENEFITS:

- Two seamless thermofoil table surfaces:
 - Main table with spill guard edge
 - Flip table with 2 cup holders indentations
- Variable height adjustment from 28.5" to 42.5"
- Integrated rail on both sides of column for optional quick mount accessories
- U-base design for fit and function with beds & furniture
- Low base compatible with beds & furniture
- Graphite grey steel base and steel column with no plastic cover for easy cleaning
- One hand activation to lift flip table
- Available in multiple thermofoil colors

Dimensions	Height: (hi/hi) 42.5" (low/low) 28.5" Width: Table: 17" Base: 19" Length: Main Table: 32" Flip Table: 13.5" Base: 32.5" Base Height: 1.8" Table Thickness: 0.75"
Weight Capacity	100 lbs evenly distributed
Part Number	P009498
Overall Weight	55 lbs



Spill guard edge

Single Top Overbed Table

FEATURES AND BENEFITS:

- Seamless thermofoil table surface with spill guard edge
- Variable height adjustment from 28.5" to 42.5"
- Integrated rail on both sides of column for optional quick mount accessories
- U-base design for fit and function with beds & furniture
- Low base compatible with beds & furniture
- Graphite grey steel base and steel column with no plastic cover for easy cleaning
- Available in multiple thermofoil colors

Dimensions	Height: (hi/hi) 42.5" (low/low) 28.5" Width: Table: 17" Base: 19" Length: Table: 32" Base: 32.5" Base Height: 1.8" Table Thickness: 0.75"
Weight Capacity	100 lbs evenly distributed
Part Number	P009497
Overall Weight	50 lbs

Model: TBD
Category: Telemetry
Subcategory: Allowance
Manufacturer: Philips Healthcare - Monitoring Systems
Catalog #:

Atta 3 ID: TTY-D3087

General Production Detail

Arch Sig: No	Spatial Sig: No
Arch Code: 02-Movable Electrical	ADA: No
Critical Path: No	Antimicrobial: No
Type: Medical	Green: No
Furnish Install: Owner / Vendor	

Electrical Requirements

Volts:	Watts: N/A
Hz: N/A	Amps: N/A
KVA:	Circuit: No
UPS: N/A	Plug Type: N/A
Emerg. Power: No	Plug Detail:
Other Volts Avail.: No	Electrical Phase: N/A
BTU/hr: N/A	
Electrical notes:	

Physical Requirements

Width (in.):	Left (in.): N/A
Depth (in.):	Right (in.): N/A
Height (in.):	Front (in.): N/A
Product Weight (lbs):	Back (in.): N/A
Max Operating Weight (lbs):	Top (in.): N/A
Mounting: N/A	Bottom (in.): N/A
Specification notes:	

Utility Requirements

Water - Cold: No	Gas Type:
Water - Hot: No	Gas Location:
Water - Treated: No	Medical Gas: No
Drain: No	Vent Type:
Drain Location:	Heat Dissipation: N/A
Steam: No	Dissipation Type: N/A
Vacuum - Den. / Med.: No/No	
Plumbing notes:	
Mechanical notes:	

Structural Requirements

Seismic: No	OPA #:
	Pre-Approval:
Structural notes:	

Technology Requirements

Patient Data: No	Network:
Connection Type: N/A	System:
Technical Connection notes:	

Locations

Level	Arch Dept	Room	Room #	Status	Item Qty	Ext Total Config
Level 7	CMU/Telemetry	CRM	7524	New	1	\$100,00 0.00

Total: 1

Model: LG Pro:Centric 55" UL Hospital Grade
Category: Television
Subcategory: 50-65 in, Flat Panel
Manufacturer: LG
Catalog #: 55UR772M (NA)

Atta 3 ID: TVS-8CDAD



Flat panel 55-inch television. Features: Pillow Speaker and Nurse Call Ready, UL Hospital Grade Listed, Web-based Telemedicine Ready. 3,840 x 2,160 (UHD) resolution, 60 Hz Screen Refresh Rate, HDTV WiFi Compatible, 2 HDMI Inputs.

General Production Detail

Arch Sig: Yes	Spatial Sig: No
Arch Code: 02-Movable Electrical	ADA: No
Critical Path: No	Antimicrobial: No
Type: Non-Medical	Green: No
Furnish Install: Owner / Owner	

Physical Requirements

Width (in.): 48.6220	Left (in.): N/A
Depth (in.): 2.2630	Right (in.): N/A
Height (in.): 28.1490	Front (in.): N/A
Product Weight (lbs): 30.8640	Back (in.): N/A
Max Operating Weight (lbs):	Top (in.): N/A
Mounting: Special	Bottom (in.): N/A
Specification notes:	

Structural Requirements

Seismic: No	OPA #:
	Pre-Approval:
Structural notes:	

Technology Requirements

Patient Data: No	Network:
Connection Type: Data	System:
Technical Connection notes:	

Electrical Requirements

Volts: 120	Watts: 81.0000
Hz: 60	Amps: 0.6700
KVA:	Circuit: No
UPS: N/A	Plug Type: Type B (Nema 5-15)
Emerg. Power: No	Plug Detail:
Other Volts Avail.: Yes	Electrical Phase: Single Phase
BTU/hr: N/A	
Electrical notes:	

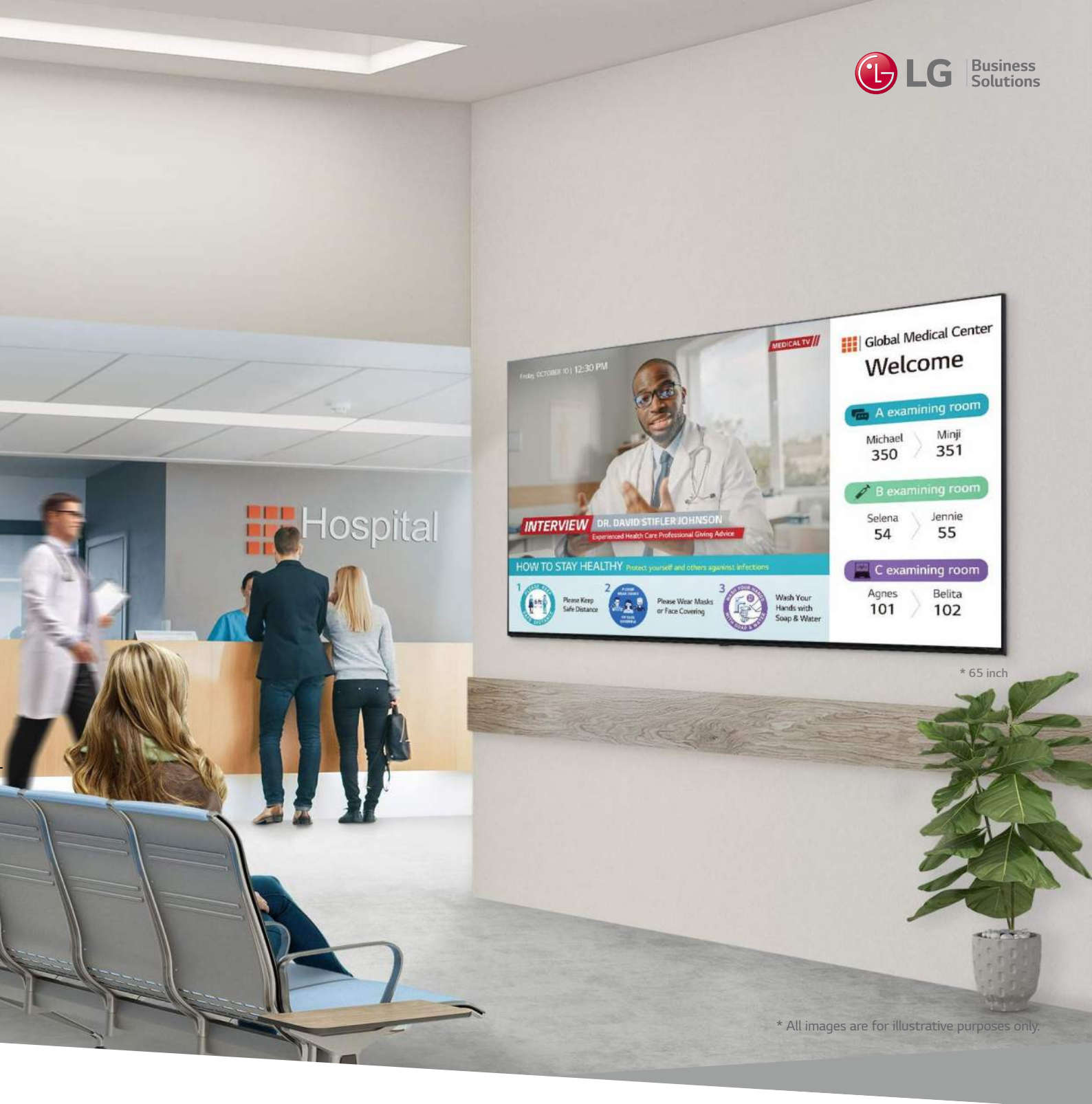
Utility Requirements

Water - Cold: No	Gas Type:
Water - Hot: No	Gas Location:
Water - Treated: No	Medical Gas: No
Drain: No	Vent Type:
Drain Location:	Heat Dissipation: N/A
Steam: No	Dissipation Type: Actual
Vacuum - Den. / Med.: No/No	
Plumbing notes:	
Mechanical notes:	

Locations

Level	Arch Dept	Room	Room #	Status	Item Qty	Ext Total Config
Level 7	Patient Care Support	Multipurpose Room	7506	New	1	\$1,985.00

Total: 1



* 65 inch

* All images are for illustrative purposes only.

Hospital TV UR772M (NA)

UL-Listed Hospital TVs with NanoCell Technology



NanoCell &
Nano Bezel



Pillow Speaker
Ready



Web-based
Telemedicine Ready



Pro:Centric Hospital
Management Solution

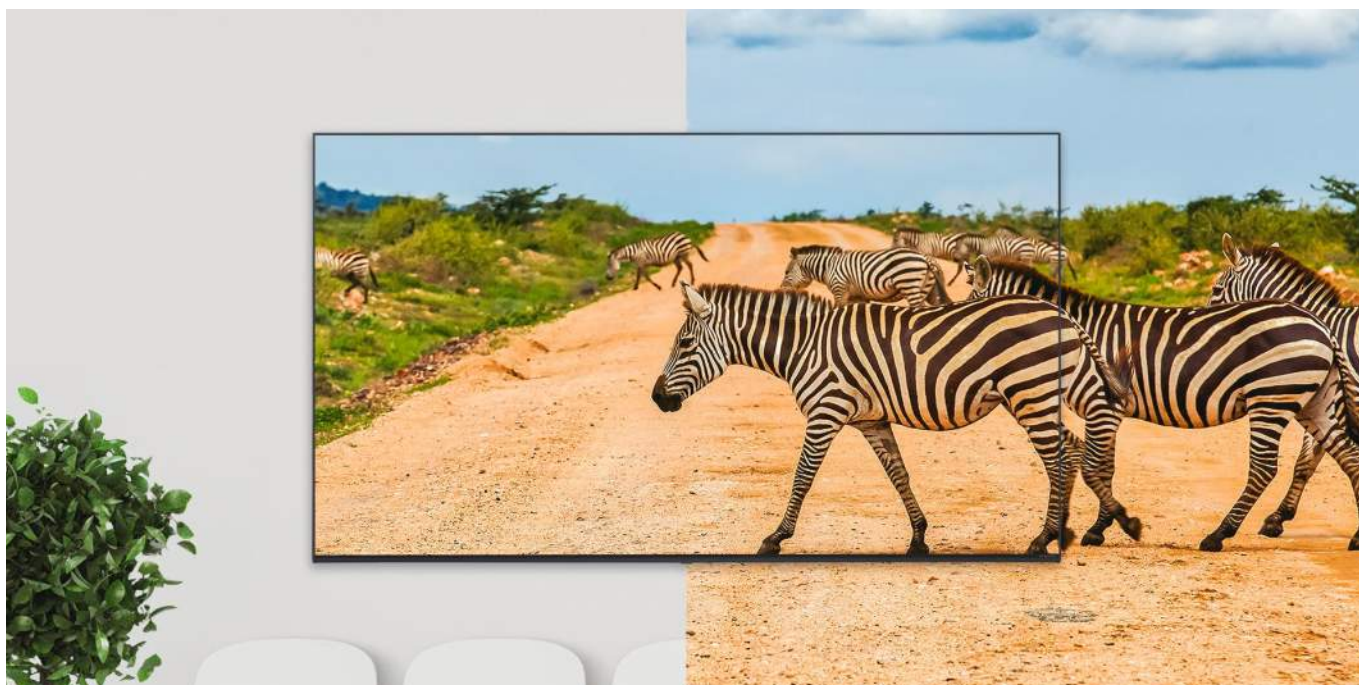
NanoCell TECHNOLOGY



* Conventional refers to LG's UHD TVs without NanoCell technology.
** Image simulated.

Real 4K Made by Pure Colors

The NanoCell hospital TV delivers a broad spectrum of color and lifelike accuracy with advanced NanoCell technology. Providing more brilliant and clear 4K, its visual experience will make viewers captivated.



Nano Bezel Adds Sophisticated Ambiance

Bigger yet keeping a sleek look. With its minimal Nano Bezel, the UR772M series is designed to blend into any interior while creating a great immersion with a large screen size.

HOSPITAL-FOCUSED FUNCTIONS



Pillow Speaker Ready

The NanoCell hospital TV is equipped with the interface compatible with a pillow speaker* which controls sound and videos on TV directly from a patient's bedside.

* Pillow speaker is not provided by LG. (sold separately)

Nurse Call System Ready

Through nurse call system provided by a pillow speaker connected to LG hospital TV, staff can be called immediately for emergency.

UL Hospital Grade Listed

The UR772M series is designed for the healthcare and hospital environment, meeting safety requirements by UL.



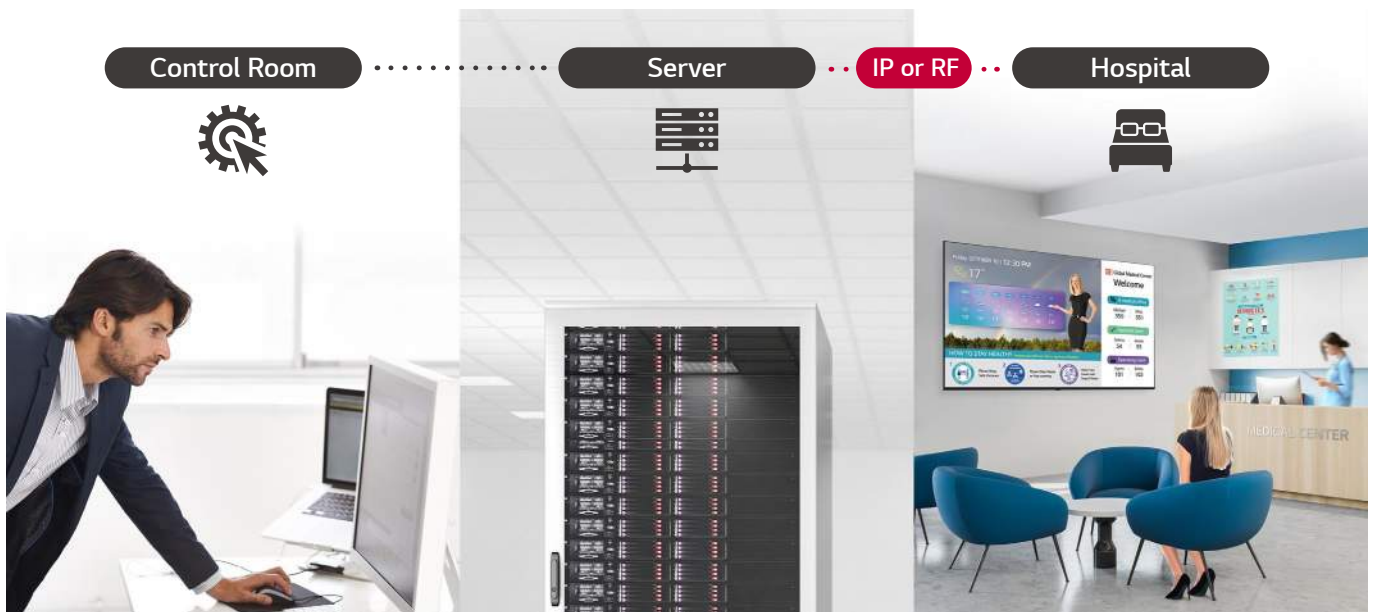
Group Telemedicine Ready

LG NanoCell Hospital TV is ready for web-based telemedicine. Without an additional video conferencing equipment, SI can develop and deploy their web applications for 1:1 or 2:1 remote meeting. If necessary, controlling of camera* angle and zoom during a meeting is also possible.

* Supporting camera : Logitech C310, MS lifecam HD-3000

** The feature above requires a separate web application.

SMART MANAGEMENT



Pro:Centric Hospital Management Solution

The hospital content management solution Pro:Centric Direct offers easy and simple editing tools, making it easy to perform service and IP network-based remote management. The Pro:Centric Direct solution enables users to edit their interface easily by providing customized interface and efficiently manages all TVs in the hospital.

* The actual screen may be slightly different.

** Some features may not be supported based on PCD versions.



Embedded b-LAN

LG NanoCell Hospital TV supports embedded broadband local area network (b-LAN), enabling PPV (Pay Per View) and VOD service without the need for a set-top box.



Pro:Idiom

The UR772M provides embedded Pro:Idiom decryption, unlocking access to high-value digital content with Pro:Idiom DRM (Digital Right Management) which prevents illegal copying of the content.

USER CONVENIENCE

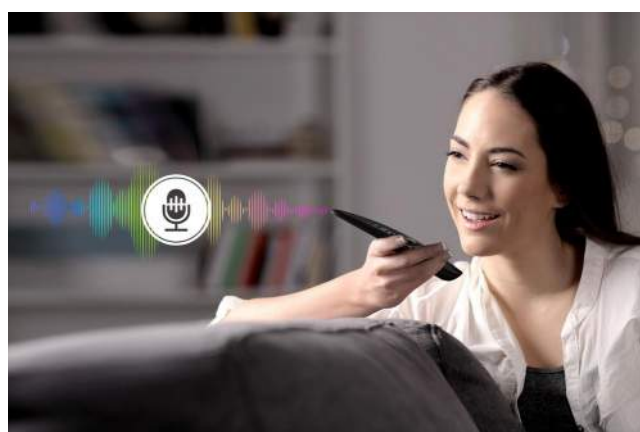


SoftAP

Software-enabled Access Point (SoftAP) is a "virtual" Wi-Fi feature that uses TV as a wireless hotspot, enabling patients to connect their own devices to the SoftAP.

* SoftAP should be set in the installation menu after the TV is turned on.

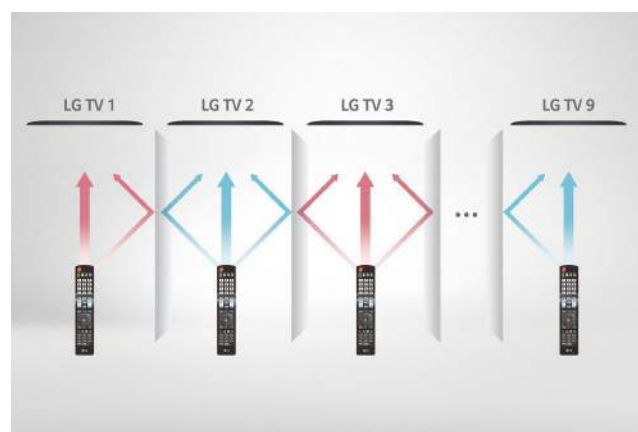
** Smart Mirroring may not be operated at the same time.



Voice Recognition

Thanks to the embedded Natural Language Processing on webOS 6.0, Voice recognition* allows users to easily control LG hospital TV simply using their voices.

* Magic Motion Remote is required. (sold separately)



Multi IR

Multi IR* function eliminates the signal interference of remote controls that occurs between multiple TVs in one place. LG NanoCell hospital TV supports this, so users can freely control their own TVs without disturbing the others.

* Separately purchased multi-IR remote controller

PRODUCT INFORMATION

* 65 inch

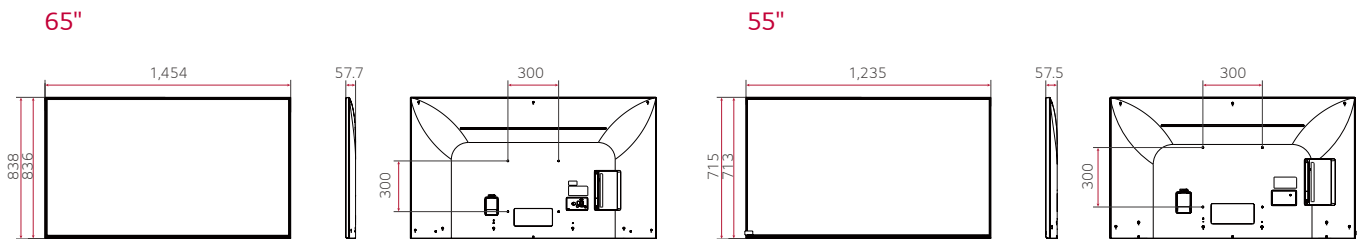


UR772M (NA)

Design	Stand Type	No Stand
Display	Inch	65" / 55"
	Resolution	3,840 × 2,160 (UHD)
	Category	Pro:Centric Smart
Broadcasting System	Digital	ATSC, Clear QAM, Analog NTSC
	Analog	NTSC
Solution	Pro:Centric (Smart, Cloud, Direct, V), Quick Menu	

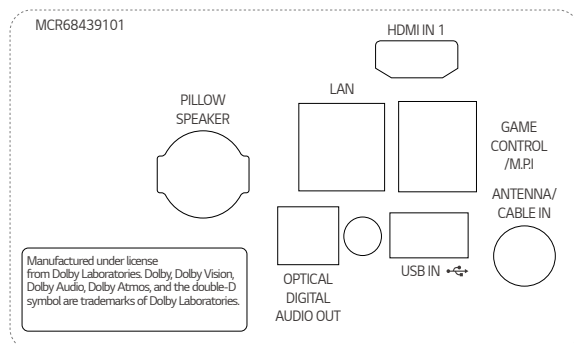
DIMENSION

(unit: mm)

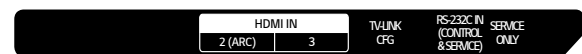


CONNECTIVITY

Rear



Side



* Dimensions & Jack Panels may differ from the above image, so please contact LG sales team to verify before ordering.



Download
LG C-Display+
Mobile App
Google Play Store

- www.lg.com/global/business/information-display
- www.youtube.com/c/LGCommercialDisplay
- www.facebook.com/LGInformationDisplay
- www.linkedin.com/company/lginformationdisplay
- twitter.com/LG_ID_HQ

LG may make changes to specifications and product descriptions without notice. Copyright © 2022 LG Electronics Inc. All rights reserved. "LG Life's Good" is a registered trademark of LG Corp. The names of products and brands mentioned here may be the trademarks of their respective owners.



Model: 60 inch Class KU6300 4K UHD TV
Category: Television
Subcategory: 50-65 in, Flat Panel
Manufacturer: Samsung Electronics
Catalog #: UN60KU6300FXZA

Atta 3 ID: TVS-A80B4



60 inch flat panel television. Featuring PurColor, HDR Premium, Motion Rate 120, New Smart Hub, 4K Ultra High Definition, Contrast Enhancer, UHD Dimming, Dolby Digital Plus, DTS Premium Sound 5.1 Decoding, Smart View App (Content Sharing + 2nd TV + App Casting). Resolution 3840x2160, V feet-JS7000 (Dark Titan), 802.11 AC Built-In WiFi, Quad-Core processor, Eco Sensor, Bluetooth, Mobile to TV - Mirroring, DLNA, 3 HDMI Connections, 2 USB Connections, VESA 400x400. Energy star certified.

General Production Detail

Arch Sig: Yes	Spatial Sig: No
Arch Code: 02-Movable Electrical	ADA: No
Critical Path: No	Antimicrobial: No
Type: Non-Medical	Green: Yes
Furnish Install: Owner / Owner	

Electrical Requirements

Volts: 110	Watts: 240.0000
Hz: 60	Amps: 2.1800
KVA:	Circuit: No
UPS: N/A	Plug Type: Type B (Nema 5-15)
Emerg. Power: No	Plug Detail:
Other Volts Avail.: No	Electrical Phase: Single Phase
BTU/hr: N/A	
Electrical notes:	

Physical Requirements

Width (in.): 53.7000	Left (in.): N/A
Depth (in.): 2.5000	Right (in.): N/A
Height (in.): 31.1000	Front (in.): N/A
Product Weight (lbs): 46.1000	Back (in.): N/A
Max Operating Weight (lbs):	Top (in.): N/A
Mounting: Special	Bottom (in.): N/A
Specification notes:	

Utility Requirements

Water - Cold: No	Gas Type:
Water - Hot: No	Gas Location:
Water - Treated: No	Medical Gas: No
Drain: No	Vent Type:
Drain Location:	Heat Dissipation: N/A
Steam: No	Dissipation Type: Actual
Vacuum - Den. / Med.: No/No	
Plumbing notes:	
Mechanical notes:	

Structural Requirements

Seismic: No	OPA #:
	Pre-Approval:
Structural notes:	

Technology Requirements

Patient Data: No	Network:
Connection Type: Data	System:
Technical Connection notes:	

Locations

Level	Arch Dept	Room	Room #	Status	Item Qty	Ext Total Config
Level 7	Progressive Care	Progressive Care	701, 702, 703, 704, 705, 706, 707, 708, 709, 710, 711, 712	New	1	\$20,375.88
Level 7	Critical Care	Critical Care	718, 719, 722, 723, 724, 725, 726, 727, 728, 729, 730, 731, 732, 733, 734	New	1	\$25,469.85
Level 7	Critical Care	Critical Care - Isolation	714, 715, 716, 717	New	1	\$6,791.96
Level 7	Critical Care	Critical Care - Patient of Size	720	New	1	\$1,697.99



PRODUCT HIGHLIGHTS

- PurColor
- HDR Premium
- MR 120
- New Smart Hub

SIZE CLASS

- | | | | |
|---|---|---|---|
| <div style="background-color: #0070C0; color: white; border-radius: 50%; width: 40px; height: 40px; display: flex; align-items: center; justify-content: center; margin: 0 auto;">70"</div> <p>UN70KU6300</p> | <div style="background-color: #0070C0; color: white; border-radius: 50%; width: 40px; height: 40px; display: flex; align-items: center; justify-content: center; margin: 0 auto;">65"</div> <p>UN65KU6300</p> | <div style="background-color: #0070C0; color: white; border-radius: 50%; width: 40px; height: 40px; display: flex; align-items: center; justify-content: center; margin: 0 auto;">60"</div> <p>UN60KU6300</p> | <div style="background-color: #0070C0; color: white; border-radius: 50%; width: 40px; height: 40px; display: flex; align-items: center; justify-content: center; margin: 0 auto;">55"</div> <p>UN55KU6300</p> |
| <div style="background-color: #0070C0; color: white; border-radius: 50%; width: 40px; height: 40px; display: flex; align-items: center; justify-content: center; margin: 0 auto;">50"</div> <p>UN50KU6300</p> | <div style="background-color: #0070C0; color: white; border-radius: 50%; width: 40px; height: 40px; display: flex; align-items: center; justify-content: center; margin: 0 auto;">43"</div> <p>UN43KU6300</p> | <div style="background-color: #0070C0; color: white; border-radius: 50%; width: 40px; height: 40px; display: flex; align-items: center; justify-content: center; margin: 0 auto;">40"</div> <p>UN40KU6300</p> | |

Enjoy 4K Ultra HD resolution and High Dynamic Range (HDR) content that delivers greater clarity with UHD Dimming and a fuller spectrum of color with PurColor. Access your favorite content quicker and easier with the new Samsung Smart TV platform powered by a Quad-Core Processor.

KEY FEATURES

PICTURE QUALITY

- PurColor
- 4K Ultra High Definition
- HDR Premium
- MR 120
- Contrast Enhancer
- UHD Dimming

SMART FEATURES

- Quad Core Processor
- Smart Hub
- Apps
- Web Browser

SMART CONNECTIVITY

- TV to Mobile/Mobile to TV Mirroring
- Smart View App (Content Sharing + 2nd TV + App Casting)
- Briefing on TV

SMART HOME SUPPORT

- Smart Home Control

CONNECTIONS

- 3 HDMI Connections¹
- 2 USB Connections
- 802.11 AC Built-In WiFi
- Bluetooth® LE

AUDIO

- Dolby® Digital Plus
- DTS® Premium Sound | 5.1™ Decoding
- 20 Watt 2 Channel

INCLUDED ACCESSORIES

- Smart Remote Control

INDUSTRY CERTIFICATIONS

- 4K Ultra HD Connected

¹ HDMI – CEC (Consumer Electronics Control) facilitates convenient control functions with compatible devices

KEY FEATURES (page 1 of 2)

PICTURE QUALITY

PURCOLOR

Brings you closer to what nature intended with accurate expression of color in life-like detail.

4K ULTRA HIGH DEFINITION

Enjoy an incredible picture and dramatic detail with 4x the resolution of Full HD.

HDR PREMIUM

Displays HDR (High Dynamic Range) content from new generation Ultra HD Blu-Ray, HDR streaming content, and HDR content available on Vidity compliant storage devices. Meets CTA HDR-compatible requirements.¹

DIRECT LED BACKLIGHTING

For high performance brightness, color, and efficiency.

MR 120

Enjoy fast-action moving picture resolution with outstanding refresh rate, processing speed, and backlight technology.

CONTRAST ENHANCER

Experience a greater sense of depth with optimized contrast across multiple zones of the picture.

UHD DIMMING

Optimizes color, contrast, and image detail by processing the image characteristics prior to them being displayed on the screen.

ULTRA CLEAR PANEL

Get the best picture with minimized glare from any angle with a screen that absorbs ambient light, reduces reflections, and lets the picture come to life.

UHD UPSCALING

Upgrade lower resolution media to a stunning near ultra high-definition experience with enhanced detail and optimized picture quality.

SMART FEATURES

QUAD-CORE PROCESSOR

Enjoy a fluid browsing experience and faster control – switching between apps, streaming content, and other media effortlessly.²

SMART HUB

Simple access to live TV, streaming content sources, and apps in one place with Smart Hub – and you only need one remote control for it all.³

SMART APPS

Put your favorite media and entertainment at your fingertips with apps built for your Samsung Smart TV – including streaming TV and movies, sports, social media, interactive games, weather, and more.³

FULL WEB BROWSER

Easily browse the web right on your TV – enjoy everything from online shopping and social media to entertainment news.³

SMART CONNECTIVITY

SCREEN MIRRORING

Mirror your phone or other compatible device's screen onto the TV's screen, instead of using your device's smaller screen to show content, media playback, or other functions.

CONNECTSHARE™ MOVIE

Plug your favorite entertainment and media into your TV – watch videos, play music, or view photos through a USB connection.

SMART VIEW 2.0

Watch your TV entertainment on your mobile device – or your mobile media on your TV.³

BRIEFING ON TV

Have your Samsung Smart TV act as an alarm when synchronized with your other Samsung mobile devices. Use the large screen to display important items such as the time, weather, and your daily schedule.

¹Complies with CTA (Consumer Technology Association) definition requirement for HDR open standard profile playback

²Versus Dual-Core Processor

³All devices must be on the same network and Internet connection is required

KEY FEATURES (page 2 of 2)

SMART HOME SUPPORT

SMART HOME CONTROL

Control your TV experience via the SmartThings mobile device App. Once connected, your Smart TV can be turned on and off remotely. Requires an Internet connection, a SmartThings platform Hub, and the SmartThings App.

CONNECTIONS

HDMI®

Enjoy higher quality audio and video with an HDMI connection that transmits both signals over a single cable. Compatible with next generation Ultra HD Blu-ray players and HDR content decoding.¹

WI-FI

Enjoy your favorite on-demand content seamlessly through your existing network with built-in Wi-Fi (802.11 AC).

1 COMPONENT IN

Analog video connection transmits HD RGB video using three RCA connections.

1 COMPOSITE IN (SHARED WITH AV COMPONENT INPUT)

Analog video connection transmits video using one RCA connection.

AUDIO

DOLBY® DIGITAL PLUS

Enjoy the ultimate in digital sound quality on all your favorite movies, TV shows, and streaming content. Dolby Digital Plus optimizes your entertainment experience with enhanced sound richness and clarity.

DTS® PREMIUM SOUND 5.1™

Feel like you're part of the action by immersing your senses in 5.1 surround sound.

INCLUDED ACCESSORIES

SMART REMOTE CONTROL (TM1650A)

Take control of your Smart TV – simplified button configuration makes it easier to navigate quickly, perform voice commands with the built-in microphone, or use the remote for basic TV control operations.

INDUSTRY CERTIFICATION LOGOS

4K ULTRA HD CONNECTED

All Samsung 2016 4K UHD and SUHD televisions comply with the CTA 4K Ultra High-Definition Connected definition requirements. The trade organization known as the Consumer Technology Association (CTA)® is considered an industry authority on engineering standards for consumer electronics in the United States. Visit www.cta.tech for more information.

MODELS

MODEL: UN70KU6300
ORDER CODE: UN70KU6300FXZA

SCREEN SIZE CLASS: 70"

SCREEN DIAGONAL MEASUREMENT: TBD

UPC CODE: 887276161006

COUNTRY OF ORIGIN: Mexico

DIMENSIONS (INCHES W x H x D):

- **TV WITHOUT STAND:** 61.9 x 35.8 x 2.5
- **TV WITH STAND:** 61.9 x 39 x 14.9
- **SHIPPING:** 68.4 x 40.2 x 9.5
- **STAND FOOTPRINT:** 41.8 x 11 x 14.9

WEIGHT (LBS):

- **TV WITHOUT STAND:** 60.8
- **TV WITH STAND:** 68.6
- **SHIPPING:** 87.5

VESA SUPPORT: Yes (400 mm x 400 mm)

ACCESSORIES INCLUDED IN BOX:

- **REMOTE MODEL:** Smart Control TM1650A

MODEL: UN65KU6300
ORDER CODE: UN65KU6300FXZA

SCREEN SIZE CLASS: 65"

SCREEN DIAGONAL MEASUREMENT: 64.5"

UPC CODE: 887276145372

COUNTRY OF ORIGIN: Mexico

DIMENSIONS (INCHES W x H x D):

- **TV WITHOUT STAND:** 57.6 x 33.2 x 2.5
- **TV WITH STAND:** 57.6 x 35.7 x 14.5
- **SHIPPING:** 68.3 x 37.7 x 7.1
- **STAND FOOTPRINT:** 37.9 x 8.7 x 14.5

WEIGHT (LBS):

- **TV WITHOUT STAND:** 52.2
- **TV WITH STAND:** 56.9
- **SHIPPING:** 72.3

VESA SUPPORT: Yes (400 mm x 400 mm)

ACCESSORIES INCLUDED IN BOX:

- **REMOTE MODEL:** Smart Control TM1650A

MODELS

MODEL: UN60KU6300
ORDER CODE: UN60KU6300FXZA

SCREEN SIZE CLASS: 60"

SCREEN DIAGONAL MEASUREMENT: 60.1"

UPC CODE: 887276145358

COUNTRY OF ORIGIN: Mexico

DIMENSIONS (INCHES W x H x D):

- **TV WITHOUT STAND:** 53.7 x 31.1 x 2.5
- **TV WITH STAND:** 53.7 x 33.6 x 14.5
- **SHIPPING:** 64.4 x 35 x 6.9
- **STAND FOOTPRINT:** 37.9 x 8.7 x 14.5

WEIGHT (LBS):

- **TV WITHOUT STAND:** 46.1
- **TV WITH STAND:** 50.5
- **SHIPPING:** 65.5

VESA SUPPORT: Yes (400 mm x 400 mm)

ACCESSORIES INCLUDED IN BOX:

- **REMOTE MODEL:** Smart Control TM1650A

MODEL: UN55KU6300
ORDER CODE: UN55KU6300FXZA

SCREEN SIZE CLASS: 55"

SCREEN DIAGONAL MEASUREMENT: 54.6"

UPC CODE: 887276145341

COUNTRY OF ORIGIN: Mexico

DIMENSIONS (INCHES W x H x D):

- **TV WITHOUT STAND:** 48.9 x 28.3 x 2.5
- **TV WITH STAND:** 48.9 x 31 x 12.2
- **SHIPPING:** 58.5 x 32.2 x 6.1
- **STAND FOOTPRINT:** 32.8 x 6.3 x 12.2

WEIGHT (LBS):

- **TV WITHOUT STAND:** 33.1
- **TV WITH STAND:** 35.3
- **SHIPPING:** 49.2

VESA SUPPORT: Yes (400 mm x 400 mm)

ACCESSORIES INCLUDED IN BOX:

- **REMOTE MODEL:** Smart Control TM1650A

MODELS

MODEL: UN50KU6300
ORDER CODE: UN50KU6300FXZA

SCREEN SIZE CLASS: 50"

SCREEN DIAGONAL MEASUREMENT: 49.5"

UPC CODE: 887276145327

COUNTRY OF ORIGIN: Mexico

DIMENSIONS (INCHES W x H x D):

- **TV WITHOUT STAND:** 44.4 x 25.8 x 2.5
- **TV WITH STAND:** 44.4 x 28.5 x 12.2
- **SHIPPING:** 53.6 x 29.7 x 6
- **STAND FOOTPRINT:** 32.8 x 6.3 x 12.2

WEIGHT (LBS):

- **TV WITHOUT STAND:** 26.9
- **TV WITH STAND:** 29.1
- **SHIPPING:** 38.6

VESA SUPPORT: Yes (400 mm x 400 mm)

ACCESSORIES INCLUDED IN BOX:

- **REMOTE MODEL:** Smart Control TM1650A

MODEL: UN43KU6300
ORDER CODE: UN43KU6300FXZA

SCREEN SIZE CLASS: 43"

SCREEN DIAGONAL MEASUREMENT: 42.5"

UPC CODE: 887276145242

COUNTRY OF ORIGIN: Mexico

DIMENSIONS (INCHES W x H x D):

- **TV WITHOUT STAND:** 38.4 x 22.4 x 2.5
- **TV WITH STAND:** 38.4 x 25.1 x 11.3
- **SHIPPING:** 47.4 x 25.8 x 5.4
- **STAND FOOTPRINT:** 29.6 x 6.3 x 11.3

WEIGHT (LBS):

- **TV WITHOUT STAND:** 19.4
- **TV WITH STAND:** 21.4
- **SHIPPING:** 23.4

VESA SUPPORT: Yes (200 mm x 200 mm)

ACCESSORIES INCLUDED IN BOX:

- **REMOTE MODEL:** Smart Control TM1650A

MODELS

MODEL: UN40KU6300
ORDER CODE: UN40KU6300FXZA

SCREEN SIZE CLASS: 40"

SCREEN DIAGONAL MEASUREMENT: 40"

UPC CODE: 887276145310

COUNTRY OF ORIGIN: Mexico

DIMENSIONS (INCHES W x H x D):

- **TV WITHOUT STAND:** 36.1 x 21.1 x 2.5
- **TV WITH STAND:** 36.1 x 23.5 x 11.3
- **SHIPPING:** 45.9 x 24.5 x 5.4
- **STAND FOOTPRINT:** 29.6 x 6.3 x 11.3

WEIGHT (LBS):

- **TV WITHOUT STAND:** 17
- **TV WITH STAND:** 19
- **SHIPPING:** 22.9

VESA SUPPORT: Yes (200 mm x 200 mm)

ACCESSORIES INCLUDED IN BOX:

- **REMOTE MODEL:** Smart Control TM1650A

Atta 3 ID: ULT-8E69B



Model: Sonosite PX System w/ Stand
Category: Ultrasound, Imaging
Subcategory: Multipurpose, Portable
Manufacturer: FUJIFILM SonoSite, Inc
Catalog #: L25100/L25110

Multipurpose portable ultrasound. Features: Auto Steep Needle Profiling technology, Projected Capacitive (PCAP) touchscreen. Data management and connectivity: Wifi, Ethernet port, 1080p digital video, output compatible with 1080p displays, four USB 2.0 ports, two USB 3.0 ports, one dedicated USB port for optional printer. Stand Includes: Adjustable stand head, input/output connections, (4) transducer holders, Triple Transducer Connect, cable management system, dual gel holder, wipes holder, storage bin, lockable drawer, cord wrap, power cord Casters: (4) independent locking wheels.

General Production Detail

Arch Sig: No	Spatial Sig: No
Arch Code: 02-Movable Electrical	ADA: No
Critical Path: No	Antimicrobial: No
Type: Medical	Green: No
Furnish Install: Owner / Owner	

Electrical Requirements

Volts: 120	Watts: 720.0000
Hz: 60	Amps: 6.0000
KVA:	Circuit: No
UPS: N/A	Plug Type: Type B (Nema 5-15)
Emerg. Power: No	Plug Detail:
Other Volts Avail.: Yes	Electrical Phase: Single Phase
BTU/hr: N/A	
Electrical notes:	

Physical Requirements

Width (in.): 28.3000	Left (in.): N/A
Depth (in.): 28.3000	Right (in.): N/A
Height (in.): 65.0000	Front (in.): N/A
Product Weight (lbs): 85.1000	Back (in.): N/A
Max Operating Weight (lbs):	Top (in.): N/A
Mounting: Floor - Mobile	Bottom (in.): N/A
Specification notes:	

Utility Requirements

Water - Cold: No	Gas Type:
Water - Hot: No	Gas Location:
Water - Treated: No	Medical Gas: No
Drain: No	Vent Type:
Drain Location:	Heat Dissipation: N/A
Steam: No	Dissipation Type: Actual
Vacuum - Den. / Med.: No/No	
Plumbing notes:	
Mechanical notes:	

Structural Requirements

Seismic: No	OPA #:
	Pre-Approval:
Structural notes:	

Technology Requirements

Patient Data: No	Network:
Connection Type: Data	System:
Technical Connection notes:	

Locations

Level	Arch Dept	Room	Room #	Status	Item Qty	Ext Total Config
Level 7	Patient Care Support	Equipment Storage (West)	7822	New	1	\$52,000.00

Total: 1

Sonosite PX Ultrasound System and Stand Specifications

General System and Stand Specifications	
Dimensions width x height unless otherwise stated	
Stand Dimensions (footprint width x depth)	28.3 inches x 28.3 inches 720 mm x 720 mm
Height Maximum (system and stand)	65 inches/1650 mm monitor raised
Height Minimum (system and stand)	42.2 inches/1072 mm monitor lowered
Height Adjustment Range	9.8 inches/249 mm
Work Surface Adjusts Monitor Angle	0 to 140 degrees 15 degrees from horizontal
Work Surface Angle	55 degrees from horizontal
Weight (system and stand) (system only)	85.1 lbs/38.6 kg 16 lbs 10 oz/7.5 kg
System Controls	Touch panel and physical buttons
Touch Panel Controls Size	10 inches x 5.7 inches 256 mm x 145 mm
Clinical Monitor Monitor Size Display Size	15.6 inches/396 mm 13.5 inches x 7.6 inches 344 mm x 194 mm
Image Size	8.1 inches x 6.1 inches 207 mm x 155 mm
Screen Resolution (minimum) Display Size Image Size	1920 x 1080 pixels 1152 x 864 pixels
Transducer Connections (system and stand) (system only)	(3) Transducer ports (1) Transducer port
Liquid Ingress Protection Rating (system only)	IP22
Immersion Rating (transducers)	IPX7
Operating System	Windows 10 IoT Enterprise 2019 LTSC
Architecture	Digital broadband
Dynamic Range	Up to 183 dB
Gray Scale	256 shades
HIPAA Compliance	FIPS199, FIPS200, and NIST 800-53

User Interface

Physical Buttons: Time Gain Compensation (TGC), gain wheel, auto gain, depth, select, update, touchpad, annotations, calculations, caliper, image save, clip save, freeze, color, M-Mode, Doppler, 2D
Touch Panel: Projected Capacitive (PCAP) touchscreen
Display Formats for Duplex Imaging: 1/3 and 2/3, 1/2 and 1/2, 2/3, and 1/3, side by side, and full screen duplex
Doppler Controls: Doppler Mode (PW, CW, and TDI), angle, steer, scale, baseline, invert, sweep speed, power, wall filter, sample volume, auto trace, gain, and volume

Image Modes

2D Broadband Imaging, Tissue Harmonic Imaging, Pulse Inversion Harmonic Imaging, B-Mode, M-Mode, Color Velocity Doppler (CVD), Color Power Doppler (CPD), Color Variance Mode, Pulsed Wave Doppler (PW), Pulsed Wave Doppler Simultaneous, Tissue Doppler Imaging (TDI), Continuous Wave Doppler (CW)

Image Processing

Sonosite proprietary speckle reduction algorithm, SonoADAPT Imaging Technology, SonoMB™ Multi-beam Technology, dual imaging, Time Gain Compensation (TGC), AutoGain, restore default gains, dynamic range, duplex imaging, Triplex, 8x live zoom, Write zoom
Cine Processing: Dynamic range
Cine Processing: Zoom
2D Image Optimization: Resolution/General/Penetration (Res/Gen/Pen), Color Doppler flow optimization, color variance mode, color compare, 2D sector control (steerable), output power control

Needle Profiling

(Auto Steep Needle Profiling available on these transducers and exams)
C5-1: Musculoskeletal, Nerve, Spine
L19-5: Arterial, Musculoskeletal, Nerve, Superficial, Venous
L12-3: Arterial, Breast, Musculoskeletal, Nerve, Superficial, Venous
L15-4: Arterial, Breast, Musculoskeletal, Nerve, Superficial, Venous
Needle Guide Starter Kits: C5-1, IC10-3, L19-5, L12-3, L15-4

Measurements

2D: Distance (10 measurements), area, circumference, ellipse, manual trace, volume, target depth, angle
Doppler: Velocity, velocity pair, slope, time, manual trace, auto trace, heart rate, resistive index, pulsatility index, systolic/diastolic ratio, volume flow, velocity time integral, TAM, TAP
Automatic Trace Results (determined by exam type): Velocity time integral, peak systolic velocity, end diastolic velocity, mean diastolic velocity, resistive index, pulsatility index, TAP, gate depth, systolic/diastolic ratio, velocity max, velocity mean, pressure gradient max, pressure gradient mean
 Editable results data sheets and reports

Data Management and Connectivity

System and Stand: Wifi, Ethernet port, 1080p digital video output compatible with 1080p displays, (4) USB 2.0 ports, (2) USB 3.0 ports, (1) dedicated USB port for printer
System Only: (2) USB 3.0 ports
 ECG connector
 Storage capacity alert
 Auto delete function
 IPv4 and IPv6 networking
 Supports automatic time reconciliation with a time server

Wireless Solutions

2.4 GHz and/or 5 GHz Wireless: 802.11 (A, B, G, N, and AC networking)
Key Management Protocols: WEP64, WEP128, WPA/WPA2 (personal and enterprise)

DICOM Workflow Management

Store for images, clips, and structured reports, media storage (USB export), storage commitment, modality worklist, Modality Performed Procedure Step (MPPS)

Data Security

System meets Federal Information Processing Standards (FIPS) for moderate security control selections per FIPS199, FIPS200, and NIST 800-53
 Secure boot
 User and role based authentication
 LDAP support
Security Policies: Open, WEP, Radius, WPA, WPA2
 Complex password rules support
 Federal System Use Notification support
 Emergency mode support
 Secure DICOM communication support
Data Encryption for Data at Rest: FIPS 140-2 validated encryption algorithms
Data Encryption for Data in Transit: FIPS 140-2 validated encryption algorithms
 System wide white-listing
 Hardened operating system and services
 System firewall
 MDS2 located on Sonosite.com

Stand Includes

Adjustable stand head, input/output connections, (4) transducer holders, Triple Transducer Connect, cable management system, dual gel holder, wipes holder, storage bin, lockable drawer, cord wrap, power cord
Casters: (4) independent locking wheels

Warranty

Sonosite offers an industry-leading, 5-year standard warranty on most ultrasound systems and Sonosite-manufactured transducers to ensure your equipment is protected. Learn more on sonosite.com

Supported Languages

System User Interface Languages: English, French, German, Italian, Japanese, Spanish, Simplified Chinese

* When Sonosite PX is used on the stand.

** Protected against water immersion for 30 minutes at a depth of up to 1 meter.

† Off the stand, Sonosite PX has (2) USB 3.0 ports.



FUJIFILM Sonosite, Inc.
 Worldwide Headquarters
 21919 30th Drive SE, Bothell, WA 98021-3904
 Tel: +1 (425) 951 1200 or +1 (877) 657 8050
 Fax: +1 (425) 951 6800 www.sonosite.com




FUJIFILM Sonosite BV
 European Headquarters
 Joop Geesinkweg 140, 1114 AB Amsterdam, Netherlands
 Tel: +31 20 462 0000

Sonosite Worldwide Offices
 FUJIFILM Sonosite Australasia Pty Ltd: Australia 1300 663 516
 FUJIFILM Sonosite Australasia Pty Ltd: New Zealand . . .0800 888 204
 FUJIFILM Sonosite Canada Inc. +1 888 554 5502
 FUJIFILM Sonosite GmbH-Germany +49 69 80 88 40 30
 FUJIFILM Sonosite Iberica SL-Spain +34 91 123 84 51
 FUJIFILM Sonosite India Pvt Ltd +91 124 288 1100

FUJIFILM Sonosite Ltd-United Kingdom. +44 1462 341 151
 FUJIFILM Sonosite SARL-France. +33 182 880 702
 FUJIFILM Asia Pacific Pte. Ltd. +65 6383 9933
 FUJIFILM (China) Investment Co., Ltd. +86 21 5010 6000
 FUJIFILM Medical Co., Ltd.-Japan +81 3 0418 7190
 FUJIFILM Middle East (FZE) +971 4 887 8722

Any patient. Anywhere. Anytime.

Table 13-5: Standards labeling symbols

Symbol	Title	Standards development organization (SDO)	Reference number	Description
	China Compulsory Certificate mark (“CCC Mark”). A compulsory safety mark for compliance to Chinese national standards for many products sold in the People’s Republic of China.	—	—	—
	Potential equalization terminal	IEC 60601-1 Medical Electrical Equipment Part 1: General requirements for basic safety and essential performance	D.1-8	Identifies potential equalization terminal
	Maximum weight load	IEC 60601-1 Medical Electrical Equipment Part 1: General requirements for basic safety and essential performance	7.2.21	Indicates total weight of the equipment, including the safe working load

Specifications

For information on accessories and peripherals, see [“Compatible accessories and peripherals”](#) on page 13-15.

Dimensions

System

- ▶ **Length:** 15.45 in. (392.5 cm)
- ▶ **Width:** 13.32 in. (338.4 cm)
- ▶ **Height:** 14.60 in. (370.9 cm)
- ▶ **Weight:** 17.92 lbs (8.13 kg) with the L15-4 transducer and battery installed

Stand

- ▶ **Depth:** 22 in. (55.9 cm)
- ▶ **Width:** 20.25 in. (51.4 cm)
- ▶ **Height:** 45 in. (114.3 cm) maximum, 33 in. (83.8 cm) minimum
- ▶ **Height range:** 9.84 in. (25 cm)
- ▶ **Weight:** 40.0 lbs. (18.1 kg)
- ▶ **Storage bin capacity:** 11 lbs. (5 kg)
- ▶ **Total stand weight with system and peripherals:** 101 lbs. (46 kg) maximum

Display

- ▶ **Length:** 13.55 in. (344.16 mm)
- ▶ **Height:** 7.62 in. (193.59 mm)
- ▶ **Diagonal:** 15.6 in. (396.24 mm)
- ▶ **Resolution:** 1920 x 1080 px

Environmental limits

Table 13-6: Operating limits

Limit type	System, batteries, transducers, and stand
Temperature	0–40°C (32–104°F)
Humidity	15–95% R.H.
Atmospheric pressure	700–1060 hPa (0.69–1.05 ATM)

Table 13-7: Shipping and storage limits

Limit type	System, transducers, and stand	System batteries
Temperature	-35–65°C (-31–149°F)	-20–60°C (-4–140°F) for 1 month. -20–45°C (-4–113°F) for 3 months. -20–23°C (-4–73°F) for 1 year. <-20°C (-35°C min) and >60°C (65°C max) limited periods for shipping or transport.
Humidity	5–95% R.H.	15–95% R.H.
Atmospheric pressure	500–1060 hPa (0.5–1.05 ATM)	500–1060 hPa (0.5–1.05 ATM)

Electrical

Portable power supply

Input: 100–240 VAC, 50–60 Hz, 3.4–1.3 A

Output: 26.7 VDC, 8.24 A, 220 W max; Class I, continuous use.

Stand rating

Input: 100–240 VAC, 50–60 Hz, 6.0–2.5 A

Output: 100–240 VAC, 50–60 Hz, 2.5–1.0 A



Note Only connect the printer that comes with the system to the output.

Batteries

Each system battery comprises six lithium-ion cells plus electronics, a temperature sensor, and battery contacts. Run time using both batteries is up to one hour, depending on imaging mode and display brightness.

Imaging modes

- ▶ 2D (256 gray shades)
- ▶ Color Power Doppler (CPD) (256 colors)
- ▶ Color Doppler (Color) (256 colors)
- ▶ M Mode
- ▶ Continuous wave (CW) Doppler

Additionally, the system includes advanced imaging technologies:

- ▶ Tissue Doppler Imaging (TDI)
- ▶ Tissue Harmonic Imaging (THI)

Image and video clip storage capacity

The number of images and video clips you can save depends on imaging mode and file format.



Model: BladderScan BVI 9400 w/ Rolling Cart
Category: Ultrasound, Imaging
Subcategory: Urology
Manufacturer: Verathon
Catalog #: 0270-0404 / 0800-0322

Atta 3 ID: ULT-A3B00

Bladder Ultrasound with rolling cart. Measures bladder volume and post-void residual (PVR) with 3D ultrasound, small child mode. Voice annotation, on-board printer, view/save exams. Includes color display console, hand-held probe, battery charger/wireless hub.

General Production Detail

Arch Sig: No **Spatial Sig:** No
Arch Code: 02-Movable Electrical **ADA:** No
Critical Path: No **Antimicrobial:** No
Type: Medical **Green:** No
Furnish Install: Owner / Owner

Electrical Requirements

Volts: 120 **Watts:** 120.0000
Hz: 60 **Amps:** 1.0000
KVA: **Circuit:** No
UPS: N/A **Plug Type:** Type B (Nema 5-15)
Emerg. Power: No **Plug Detail:**
Other Volts Avail.: Yes **Electrical Phase:** Single Phase
BTU/hr: N/A
Electrical notes:

Physical Requirements

Width (in.): 24.2500 **Left (in.):** N/A
Depth (in.): 24.2500 **Right (in.):** N/A
Height (in.): 43.2500 **Front (in.):** N/A
Product Weight (lbs): 21.0000 **Back (in.):** N/A
Max Operating Weight (lbs): **Top (in.):** N/A
Mounting: Floor - Mobile **Bottom (in.):** N/A
Specification notes:

Utility Requirements

Water - Cold: No **Gas Type:**
Water - Hot: No **Gas Location:**
Water - Treated: No **Medical Gas:** No
Drain: No **Vent Type:**
Drain Location: **Heat Dissipation:** N/A
Steam: No **Dissipation Type:** Actual
Vacuum - Den. / Med.: No/No
Plumbing notes:
Mechanical notes:

Structural Requirements

Seismic: No **OPA #:**
Structural notes: **Pre-Approval:**

Technology Requirements

Patient Data: No **Network:**
Connection Type: N/A **System:**
Technical Connection notes:

Locations

Level	Arch Dept	Room	Room #	Status	Item Qty	Ext Total Config
Level 7	Patient Care Support	Equipment Storage (West)	7822	New	1	\$13,040.00
Level 7	Patient Care Support	Equipment Storage (East)	7501	New	1	\$13,040.00

Total: 2

BladderScan BVI 9400

BLADDER VOLUME INSTRUMENT

The BladderScan® BVI 9400 is quick and easy to use. When the user releases the scan button, within seconds, the BVI 9400 measures ultrasonic reflections on multiple planes inside the body and produces a three-dimensional image. Based on this image, the BVI 9400 calculates and displays the bladder volume. No sonographer is required.



BladderScan BVI 9400 exam data can be printed via the onboard printer or transmitted to your office computer or Electronic Health Record (EHR) system using ScanPoint® image management technology.

BladderScan BVI 9400 Features:

- Precision aiming ability via Console or Probe
- Distinct scan modes provided for men, women and small children
- Voice annotation for exams to ensure valuable patient/exam data is retained
- Onboard printer for patient records or reimbursement
- Onboard video tutorial to train staff
- May be calibrated online

BladderScan BVI 9400 system includes:

- Console with easy-to-read color LCD screen with brightness control
- Easy-to-use, handheld Probe
- Battery charger/Wireless hub
- 2 Lithium-ion batteries
- User's Manual, Quick Reference Guide and Quick Reference Cards
- ScanPoint Install CD and User's Manuals
- Optional medical cart with locking wheel

The CPT/HCPCS Code for post-void residual (51798) is approved for reimbursement by Medicare.



Specifications

BladderScan Bladder Volume Instruments are CE marked in accordance with the Medical Device Directive, and the Verathon Inc. quality system is Quality System Certified to ISO 13485:2003 standards. US 6,884,217 and other US and International Patents Pending.

Range: Bladder volume range 0 to 999 ml

Accuracy: The following accuracy specification assumes usage per instructions, scanning a Verathon Inc. Tissue Equivalent Phantom: 0 to 999 ml $\pm 15\%$, ± 15 ml

Power: 11v Li Battery Pack (2 supplied). 3.5 hours continuous use on one charge; Battery indicator

Display: Color LCD

Ultrasound Output Parameters:

Maximum ultrasound Ispta during a scan: ≤ 5.0 mW/cm²
Maximum ultrasound Isppa during a scan: ≤ 60.0 W/cm²

Maximum MI (Mechanical Index): 0.95 max

Transducer diameter: 13 mm (0.512 inches)

Transducer resonant frequency: 3.0 MHz and 1.74 MHz

Transducer bandwidth: 75% at 10 dB

Time from 3D scan initiation to result display: < 3 seconds

CE0123
0900-1452-07-86

Corporate Headquarters
20001 North Creek Parkway
Bothell, WA 98011 / USA
425.867.1348 / 800.331.2313 / 425.883.2896 Fax
bladderscan.com | verathon.com

VERATHON
MEDICAL



**BladderScan® BVI 9400
Specifications**

Dimensions

Display: Width 13.36 cm (5.25 in)
Height 10.13 cm (4 in)

Console: Width 21.6 cm (8.5 in)
Height 33.6 cm (13.25 in)

Battery Charger/Wireless Hub: Width 69 mm (2.75in)
Length 17.8 cm (7 in)
Thickness 10.1 cm (4 in)

Batteries: Width 79 mm (3.1 in)
Length 118 mm (4.6 in)
Thickness 23 mm (0.9 in)

Optional Cart: Tray 48 x 48 cm (19 x 19 in)
Overall Height ~76 cm (~30 in)
Weight 6.8 kg (15 lb)

Weight

Unit w/batteries: 2.36 kg (5.2 lb)
Battery Charger/Wireless Hub: 385 g (13.58 oz)
Batteries: 350 g (12.35 oz)

Power/Battery

Batteries Supplied: 2
Battery Type: 11v Li Ion Rechargeable
Average Battery Life: 30 exams within 24 hr



Model: 311 (3 Shelf, Standard Duty)
Category: Cart, Utility
Subcategory: Stainless
Manufacturer: Lakeside Manufacturing, Inc.
Catalog #: 311

Atta 3 ID: UTC-BFC59

Stainless steel utility cart. Standard duty, 300 lbs capacity. Features three 15.5 W x 24 L (inch) shelves with 11.75 inch clearance, 3.5 inch all swivel casters, all-welded stainless steel construction, reinforced hemmed front, bumpers on legs and handles, integrated push handle & sound deadening material to restrict vibration.

General Production Detail

Arch Sig: No	Spatial Sig: No
Arch Code: 03-Movable Non-Electrical	ADA: No
Critical Path: No	Antimicrobial: No
Type: Non-Medical	Green: No
Furnish Install: Owner / Owner	

Physical Requirements

Width (in.): 16.2500	Left (in.): N/A
Depth (in.): 27.5000	Right (in.): N/A
Height (in.): 32.2500	Front (in.): N/A
Product Weight (lbs): 29.0000	Back (in.): N/A
Max Operating Weight (lbs):	Top (in.): N/A
Mounting: Floor - Mobile	Bottom (in.): N/A
Specification notes:	

Structural Requirements

Seismic: No	OPA #:
	Pre-Approval:
Structural notes:	

Technology Requirements

Patient Data: No	Network:
Connection Type: N/A	System:
Technical Connection notes:	

Electrical Requirements

Volts:	Watts: N/A
Hz: N/A	Amps: N/A
KVA:	Circuit: No
UPS: N/A	Plug Type: N/A
Emerg. Power: No	Plug Detail:
Other Volts Avail.: No	Electrical Phase: N/A
BTU/hr: N/A	
Electrical notes:	

Utility Requirements

Water - Cold: No	Gas Type:
Water - Hot: No	Gas Location:
Water - Treated: No	Medical Gas: No
Drain: No	Vent Type:
Drain Location:	Heat Dissipation: N/A
Steam: No	Dissipation Type: Actual
Vacuum - Den. / Med.: No/No	
Plumbing notes:	
Mechanical notes:	

Locations

Level	Arch Dept	Room	Room #	Status	Item Qty	Ext Total Config
Level 7	Patient Care Support	Equipment Storage (West)	7822	New	2	\$868.00
Level 7	Patient Care Support	Equipment Storage (East)	7501	New	1	\$434.00
Level 7	Patient Care Support	Clean Supply	7512, 7718, 7812	New	1	\$1,302.00
Level 7	Patient Care Support	Soiled Work	7520, 7820	New	1	\$434.00

Lakeside 311 Utility Cart, 300 Lb Capacity, (3) 15.5 x 24 Inch Shelves

elakeside.com/medical/product/lakeside-311-utility-cart-300-lb-capacity-3-15-5-x-24-inch-shelves

SKU: 311



Lakeside invented and perfected the stainless steel utility cart so you can rest assured that our carts are your best bet for durability and will be reliable for years to come!

MADE IN THE USA

Specifications

PRODUCT INFORMATION

Capacity (lbs) 300

Material Stainless Steel

Ergonomic Design Traditional

Frame Type	Angle Leg	
Shelf Size (WxL) (in)	15 1/2 x 24	
Number of Shelves	3	
Overall Size (WxLxH) (in)	16 1/4 x 27 1/2 x 32 1/8	
Shelf Clearance (in)	11.75	
Caster Size (in)	3.5	
Caster Type	All swivel	
SHIPPING DIMENSIONS		
Weight	29 lbs	13.15 kgs
Dimensions	16.25 × 27.5 × 32.125 in	41.28 x 69.85 x 81.6 cm

[Add to Project](#)

Specification

Ideal for light duty transport and storage and continuous transporting over even floor surfaces. Durable, unitized electronically welded stainless steel angle leg design. Reinforced, hemmed front on 22 gauge stainless steel shelves adds strength where it is needed. Legs are 20 gauge stainless steel. Sound deadening panels under shelves restrict vibrations and noise. Bumpers on legs and handles protect walls and furniture. Cleans and sanitizes easily.

Atta 3 ID: VND-53DD9

Model:
Category: Vending Machine
Subcategory: Food
Manufacturer:
Catalog #:

General Production Detail

Arch Sig: Yes	Spatial Sig: No
Arch Code: 02-Movable Electrical	ADA: No
Critical Path: No	Antimicrobial: No
Type: Non-Medical	Green: No
Furnish Install: Owner / Vendor	

Electrical Requirements

Volts: 120	Watts: N/A
Hz: 60	Amps: N/A
KVA:	Circuit: No
UPS: N/A	Plug Type: Type B (Nema 5-15)
Emerg. Power: No	Plug Detail:
Other Volts Avail.: No	Electrical Phase: Single Phase
BTU/hr: N/A	
Electrical notes:	

Physical Requirements

Width (in.):	Left (in.): N/A
Depth (in.):	Right (in.): N/A
Height (in.):	Front (in.): N/A
Product Weight (lbs):	Back (in.): N/A
Max Operating Weight (lbs):	Top (in.): N/A
Mounting: Floor	Bottom (in.): N/A
Specification notes:	

Utility Requirements

Water - Cold: No	Gas Type:
Water - Hot: No	Gas Location:
Water - Treated: No	Medical Gas: No
Drain: No	Vent Type:
Drain Location:	Heat Dissipation: N/A
Steam: No	Dissipation Type: Actual
Vacuum - Den. / Med.: No/No	
Plumbing notes:	
Mechanical notes:	

Structural Requirements

Seismic: Yes	OPA #:
	Pre-Approval:
Structural notes:	

Technology Requirements

Patient Data: No	Network:
Connection Type: N/A	System:
Technical Connection notes:	

Locations

Level	Arch Dept	Room	Room #	Status	Item Qty	Ext Total Config
Level 7	Family Waiting	Vending	7502	New	1	--

Total: 1

Model: TBD
Category: Vending Machine
Subcategory: Drink
Manufacturer: To Be Determined
Catalog #: TBD

Atta 3 ID: VND-7E822

General Production Detail

Arch Sig: Yes	Spatial Sig: No
Arch Code: 02-Movable Electrical	ADA: No
Critical Path: No	Antimicrobial: No
Type: Non-Medical	Green: No
Furnish Install: Owner / Vendor	

Electrical Requirements

Volts: 120	Watts: N/A
Hz: 60	Amps: N/A
KVA:	Circuit: No
UPS: N/A	Plug Type: Type B (Nema 5-15)
Emerg. Power: No	Plug Detail:
Other Volts Avail.: No	Electrical Phase: Single Phase
BTU/hr: N/A	
Electrical notes:	

Physical Requirements

Width (in.):	Left (in.): N/A
Depth (in.):	Right (in.): N/A
Height (in.):	Front (in.): N/A
Product Weight (lbs):	Back (in.): N/A
Max Operating Weight (lbs):	Top (in.): N/A
Mounting: Floor	Bottom (in.): N/A
Specification notes:	

Utility Requirements

Water - Cold: No	Gas Type:
Water - Hot: No	Gas Location:
Water - Treated: No	Medical Gas: No
Drain: No	Vent Type:
Drain Location:	Heat Dissipation: N/A
Steam: No	Dissipation Type: Actual
Vacuum - Den. / Med.: No/No	
Plumbing notes:	
Mechanical notes:	

Structural Requirements

Seismic: Yes	OPA #:
	Pre-Approval:
Structural notes:	

Technology Requirements

Patient Data: No	Network:
Connection Type: N/A	System:
Technical Connection notes:	

Locations

Level	Arch Dept	Room	Room #	Status	Item Qty	Ext Total Config
Level 7	Family Waiting	Vending	7502	New	1	--

Total: 1



Model: Hamilton C1 Package
Category: Ventilator
Subcategory: Adult / Pediatric / Neonatal
Manufacturer: Hamilton Medical, Inc.
Catalog #: 12000

Atta 3 ID: VNT-1CD06

Adult/Pediatric ICU ventilator. Provides invasive ventilation, automated ventilation with Adaptive Support Ventilation (ASV), and Non-Invasive Ventilation (NIV) for adult and pediatric patients. Features the Ventilation Cockpit which simplifies operation and interpretation of monitored data, alarm lamp on top of the unit, dimmable sounds and lights, touch screen, single-knob operation, and a high-performance turbine that provides a peak flow rate of up to 260 l/min. Event log stores up to 1,000 events with date and time stamp. Four hours typical backup battery time, USB interface connector. Includes a set-up kit and one box of flow sensors. Other options not included: APRV/DuoPAP, Trends/Loops or NIV/NIV-ST and must be ordered separately.

General Production Detail

Arch Sig: Yes	Spatial Sig: No
Arch Code: 02-Movable Electrical	ADA: No
Critical Path: No	Antimicrobial: No
Type: Medical	Green: No
Furnish Install: Owner / Owner	

Physical Requirements

Width (in.): 12.2000	Left (in.): N/A
Depth (in.): 8.3000	Right (in.): N/A
Height (in.): 9.6000	Front (in.): N/A
Product Weight (lbs): 10.8000	Back (in.): N/A
Max Operating Weight (lbs):	Top (in.): N/A
Mounting: Counter/Cart/Table/Pole	Bottom (in.): N/A
Specification notes:	

Structural Requirements

Seismic: No	OPA #:
	Pre-Approval:
Structural notes:	

Technology Requirements

Patient Data: No	Network:
Connection Type: N/A	System:
Technical Connection notes:	

Electrical Requirements

Volts: 110	Watts: 150.0000
Hz: 60	Amps: 1.3000
KVA:	Circuit: No
UPS: N/A	Plug Type: Type B (Nema 5-15)
Emerg. Power: No	Plug Detail:
Other Volts Avail.: Yes	Electrical Phase: Single Phase
BTU/hr: N/A	
Electrical notes:	

Utility Requirements

Water - Cold: No	Gas Type: N/A
Water - Hot: No	Gas Location:
Water - Treated: No	Medical Gas: No
Drain: No	Vent Type:
Drain Location:	Heat Dissipation: N/A
Steam: No	Dissipation Type: Actual
Vacuum - Den. / Med.: No/No	
Plumbing notes:	
Mechanical notes:	

Locations

Level	Arch Dept	Room	Room #	Status	Item Qty	Ext Total Config
Level 7	Respiratory Therapy	RT Clean Storage	7719	New	10	\$160,638.60

Total: 10

Electrical specifications

Input power	100 to 240 VAC \pm 10%, 50/60 Hz
Power consumption	50 VA typical, 150 VA maximum
Battery	Hamilton Medical provides a high-capacity battery ⁷ .
Electrical specifications:	6.7 Ah, 72 Wh, 50 W typical, 150 W maximum
Type:	Lithium-ion, supplied by Hamilton Medical only
Recharge time:	While the ventilator is connected to primary power, approximately 3.25 h to fully recharge one battery.
Storage:	-20°C to 60°C, \leq 85% relative humidity. The storage location should be free from vibration, dust, direct sunlight, moisture, and corrosive gases, and with a recommended temperature range < 21°C. Extended exposure to temperatures above 45°C can degrade battery performance and life.
Normal operating time:	Operating times are measured with one fully charged battery, the blower in use, without communication board, and with the following settings: Mode = PCV+, Rate = 10 b/min, Δ Pcontrol = 10 cmH ₂ O, I:E = 1:4, PEEP = 5 cmH ₂ O, Flow trigger = 5 l/min, FiO ₂ = 40%. Approximate operating times under these conditions are as follows: <ul style="list-style-type: none"> • One battery, display brightness = 80%: 4 h • One battery, display brightness = 20%: 4.5 h <p>This operating time applies to new, fully charged Li-ion batteries that have not been exposed to extreme temperatures. The actual operating time depends on battery age and on how the battery is used and recharged.</p>

Graphical patient data

Graphic type/tab name	Options
Waveforms	Pressure, Volume, Flow, PCO ₂ ⁸ , FCO ₂ ⁸ , Plethysmogram ⁹ , Capnogram ¹⁰
Intelligent panels	Dynamic Lung ¹¹ , Vent Status, ASV Graph ¹² , INTELLiVENT-ASV Oxygenation and CO ₂ elimination maps and horizons ¹⁰
Trends	1-, 6-, 12-, 24-, or 72-h trend data for a selected parameter or combination of parameters
Loops	Pressure/Volume, Pressure/Flow, Volume/Flow, Volume/PCO ₂ ⁸ , Volume/FCO ₂ ⁸

⁷ PN 369108, revision 4 and later.

⁸ CO₂ option required

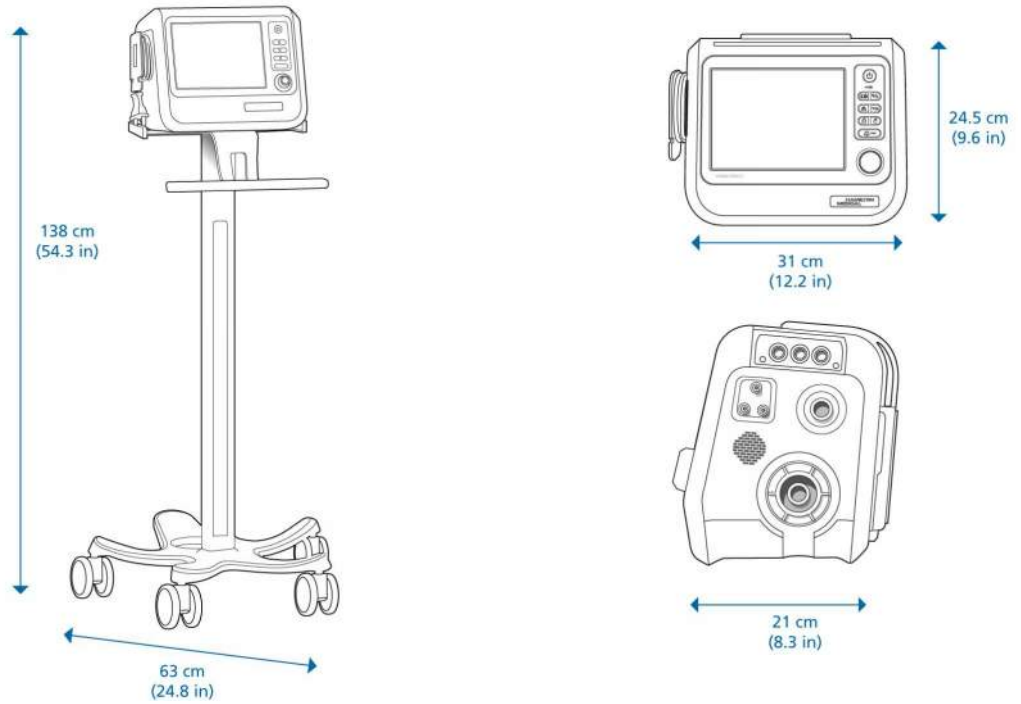
⁹ SpO₂ option required

¹⁰ INTELLiVENT-ASV required

¹¹ Only for adult/pediatric patients

¹² Only in ASV mode

Physical characteristics



Weight	4.9 kg (10.8 lb) 16.9 kg (37.3 lb) with trolley The trolley can accommodate a maximum safe working load ²⁸ of 44 kg (97 lb).
Dimensions	See graphic above
Trolley accessories	HAMILTON-H900 mounting kit, optional O2 bottle holding system, optional tubing support arm, water bottle holder, basket

²⁸ The maximum safe working load applies to a stationary, properly load-balanced trolley.

Manufacturer:

Hamilton Medical AG

Via Crusch 8, 7402 Bonaduz, Switzerland

☎ +41 58 610 10 20

info@hamilton-medical.com

www.hamilton-medical.com

10101895/02

© 2021 Hamilton Medical AG. All rights reserved. Specifications are subject to change without notice. Some features are options. Not all features/products are available in all markets. For all proprietary trademarks (®) and third-party trademarks (®) used by Hamilton Medical AG see www.hamilton-medical.com/trademarks.



Model: Hamilton C6 Package w/ Trolley Solution
Category: Ventilator
Subcategory: Adult / Pediatric / Neonatal
Manufacturer: Hamilton Medical, Inc.
Catalog #: 160021/160029

Atta 3 ID: VNT-3F532

Adult/pediatric/neonatal ventilator. Features: Ventilation modes for adult, pediatric and neonatal patients. Adaptive lung-protective ventilation mode ASV, IntelliSync+ real-time patient synchronization, noninvasive ventilation, high flow oxygen therapy, P/V Tool Pro for lung assessment, recruitment, transpulmonary pressure measurement, Integrated IntelliCuff pressure controller and Integrated HAMILTON-H900 humidifier control. The trolley can accommodate a maximum safe working load 176 lb.

General Production Detail

Arch Sig: Yes	Spatial Sig: No
Arch Code: 02-Movable Electrical	ADA: No
Critical Path: No	Antimicrobial: No
Type: Medical	Green: No
Furnish Install: Owner / Owner	

Physical Requirements

Width (in.): 22.1000	Left (in.): N/A
Depth (in.): 25.2000	Right (in.): N/A
Height (in.): 55.2000	Front (in.): N/A
Product Weight (lbs): 101.0000	Back (in.): N/A
Max Operating Weight (lbs):	Top (in.): N/A
Mounting: Floor - Mobile	Bottom (in.): N/A
Specification notes:	

Structural Requirements

Seismic: No	OPA #:
	Pre-Approval:
Structural notes:	

Technology Requirements

Patient Data: No	Network:
Connection Type: Data	System:
Technical Connection notes:	

Electrical Requirements

Volts: 120	Watts: 60.0000
Hz: 60	Amps: 0.5000
KVA:	Circuit: No
UPS: N/A	Plug Type: Type B (Nema 5-15)
Emerg. Power: No	Plug Detail:
Other Volts Avail.: Yes	Electrical Phase: Single Phase
BTU/hr: N/A	
Electrical notes:	

Utility Requirements

Water - Cold: No	Gas Type: N/A
Water - Hot: No	Gas Location:
Water - Treated: No	Medical Gas: No
Drain: No	Vent Type:
Drain Location:	Heat Dissipation: N/A
Steam: No	Dissipation Type: Actual
Vacuum - Den. / Med.: No/No	
Plumbing notes:	
Mechanical notes:	

Locations

Level	Arch Dept	Room	Room #	Status	Item Qty	Ext Total Config
Level 7	Respiratory Therapy	RT Clean Storage	7719	New	10	\$436,88 7.10

Total: 10

HAMILTON-C6

Technical specification for SW version 1.1.x

Ventilation modes

Standard: ✓ Option: O Not applicable: --

Mode form	Mode name	Mode	Adult/Ped	Neonatal
Volume-controlled modes, flow controlled	(S)CMV	Breaths are volume-controlled and mandatory, including patient-triggered breaths.	✓	--
	SIMV	Volume-controlled mandatory breaths can be alternated with pressure-supported breaths.	✓	--
Volume-targeted modes, adaptive pressure controlled	APVcmv / (S)CMV+	Breaths are volume targeted and mandatory.	✓	✓
	APVsimv / SIMV+	Volume-targeted mandatory breaths can be alternated with pressure-supported spontaneous breaths.	✓	✓
Pressure-controlled modes	PCV+	All breaths, whether triggered by the patient or the ventilator, are pressure-controlled and mandatory.	✓	✓
	PSIMV+	Mandatory breaths are pressure controlled. Mandatory breaths can be alternated with pressure-supported spontaneous breaths.	✓	✓
	DuoPAP	Mandatory breaths are pressure controlled. Spontaneous breaths can be triggered at both pressure levels.	✓	✓
	APRV	Spontaneous breaths can be continuously triggered. The pressure release between the levels contributes to ventilation.	✓	✓
	SPONT	Every breath is spontaneous, with or without pressure-supported spontaneous breaths.	✓	✓
Intelligent ventilation	ASV®	Operator sets %MinVol, PEEP, and Oxygen. Frequency, tidal volume, pressure, and I:E ratio are based on physiological input from the patient.	✓	--
Noninvasive modes	NIV	Every breath is spontaneous.	✓	✓
	NIV-ST	Every breath is spontaneous as long as the patient is breathing above the set rate. A backup rate can be set for mandatory breaths.	✓	✓
	nCPAP-PS	Every breath is spontaneous as long as the patient is breathing above the set rate. A backup rate can be set for mandatory breaths.	--	O

CE0197

HAMILTON
MEDICAL
Intelligent Ventilation since 1983

Standard configuration and options (in alphabetical order)

Standard: ✓ Option: ○ Not applicable: --

Functions	Adult/Ped	Neonatal
Capnography, mainstream (volumetric) and sidestream	○	○
Communication ports: Three COM ports, two USB ports, DVI, Nurse call	✓	✓
Communication protocols: for details, see the <i>Connectivity</i> brochure	✓	✓
Distributed alarm system (DAS) compatible	✓	✓
Dynamic Lung (real-time visualization of the lungs)	✓	--
Event log (up to 10,000 events with date and time stamp)	✓	✓
HAMILTON-H900 humidifier integration	○	○
High flow oxygen therapy (HiFlowO2)	○	○
Inspiratory and expiratory hold maneuver	✓	✓
IntelliCuff® integrated cuff pressure controller	○	○
IntelliSync+ (inspiratory and expiratory trigger synchronization)	○	--
IntelliTrig (leak compensation)	✓	✓
Languages (English, US English, Chinese, Croatian, Czech, Danish, Dutch, Finnish, French, German, Greek, Hungarian, Indonesian, Italian, Japanese, Korean, Norwegian, Polish, Portuguese, Romanian, Russian, Serbian, Slovak, Spanish, Swedish, Turkish)	✓	✓
Manual breath/prolonged inspiration	✓	✓
Nebulization (Aerogen®)	○	○
Nebulization (pneumatic)	✓	--
O2 enrichment	✓	✓
On-screen help	✓	✓
P/V Tool® Pro	○	○
Paramagnetic O2 sensor	○	○
Patient group	✓	○
Print screen	✓	✓
Screen lock	✓	✓
Second battery	○	○
SpO2 monitoring	○	○
Standby with timer	✓	✓
Suctioning tool	○	○
Transpulmonary pressure monitoring	✓	✓
TRC (tube resistance compensation)	✓	✓
Trends/Loops	✓	✓
Trigger, flow and pressure selectable	✓	✓
Vent Status (visual representation of patient's ventilator dependence)	✓	✓

Technical performance

Description	Specification
Automatic expiratory base flow	Fixed at 6 l/min
Inspiratory pressure	0 to 100 cmH ₂ O
Maximum inspiratory flow	260 l/min
Means of inspiratory triggering	Flow trigger, pressure trigger, or optional IntelliSync+
Means of expiratory triggering	Flow cycling (ETS), or optional IntelliSync+
Minimum expiratory time	20% of cycle time; 0.2 to 0.8 seconds
O ₂ input flow	80 to 150 l/min (at 2.8 bar/ 280 kPa / 41 psi input pressure)
Oxygen mixer accuracy	± (Volume fraction of 2.5% + 2.5% of actual reading)
Preoperational checks	Tightness test, Flow sensor/O ₂ sensor/CO ₂ sensor calibration
Tidal volume	<i>Adult/Ped:</i> 20 to 2000 ml <i>Neonatal:</i> 2 to 300 ml

Standards and approvals

Classification	Class IIb, continuously operating according to EC directive 93/42/EEC
Certification	EN 60601-1:2006/A1:2013, IEC 60601-1-2:2014, ANSI/AAMI ES60601-1:2005(R)2012, ISO 80601-2-12:2011, CAN/CSA-C22.2 NO. 60601-1:14, EN ISO 5356-1:2015, ISO 80601-2-55:2018
Declaration	The HAMILTON-C6 was developed in accordance with pertinent international standards and FDA guidelines. The ventilator is manufactured within an EN ISO 13485 and EN ISO 9001, Council Directive 93/42/EEC, Annex II, Article 3 certified quality management system. The ventilator meets the Essential Requirements of Council Directive 93/42/EEC, Annex I.
Electromagnetic compatibility	According to IEC 60601-1-2:2014
Safety class	Class I, Type B applied part (ventilator breathing system, VBS), type BF applied parts CO ₂ sensor including CO ₂ module connector, humidifier, Aerogen [§] system, nebulizer, and SpO ₂ sensor including SpO ₂ adapter, continuous operation according to IEC 60601-1

Pneumatic performance

O2	Input pressure:	2.8 to 6 bar / 41 to 87 psi
	Connector:	DISS (CGA 1240) or NIST
Air supply	Integrated turbine with lifetime warranty	
Inspiratory outlet (<i>To patient</i> port)	Connector:	ISO 15 mm ID/22 mm OD conical
Expiratory outlet (<i>From patient</i> port)	Connector (on expiratory valve):	ISO 15 mm ID/22 mm OD conical

Electrical specifications

Input power	100 to 240 VAC \pm 10%, 50/60 Hz	
Power consumption	60 VA typical, 210 VA (510 VA with humidifier) maximum	
Battery	Electrical specifications:	14.4 V, 5.0 Ah, 72 Wh, 48 W typical, 288 W maximum
	Type:	Lithium-ion
	Normal operating time:	\geq 90 min with one battery / \geq 180 min with two batteries

Graphical patient data

Graphic type/tab name	Options
Waveforms	Pressure, Flow, Volume, PCO ₂ ¹ , FCO ₂ ¹ , Plethysmogram ¹ , Ptrachea, Pes, Ptranspulm, Off
Intelligent panels	Dynamic Lung ² , Vent Status, ASV Graph ³ , SMPs (Secondary monitoring parameter)
Trends	1-, 6-, 12-, 24-, or 72-h trend data for a selected parameter or combination of parameters
Loops	Pressure/Volume, Pressure/Flow, Volume/Flow, Volume/PCO ₂ ¹ , Volume/FCO ₂ ¹ , Pes/Volume, Ptranspulm/Volume

¹ CO₂ + SpO₂ option required

² Only for adult/pediatric patients

³ Only in ASV mode

Alarms

Priority	Alarm
High priority	<p>Apnea, Check for blockage, Minute volume high/low, Oxygen high/low, Pressure high/low, High Pressure during Sigh, Pressure not released</p> <p>Flow sensor calibration needed (during ventilation), Check flow sensor tubing, Check flow sensor, External flow sensor failed, Replace O2 sensor, Oxygen supply failed, Buzzer defective, Loudspeaker defective</p> <p>Disconnection on patient/ventilator side, Exhalation obstructed</p> <p>Options not found, Self test failed, Blower fault, Device temperature high, Vent outlet temperature high, Panel connection lost</p> <p>Battery low, Battery power loss, Battery totally discharged, Battery temperature high, Battery communication error, Battery defective, No ventilation after power fail</p> <p><i>SpO2</i>⁴ SpO2 low</p> <p><i>HAMILTON-H900</i>: Humidifier tilt, Humidifier chamber temp high, Humidifier Y-piece temp high, Humidifier water high, Humidifier error, Check humidifier</p> <p><i>IntelliCuff</i>: Cuff leak, Check IntelliCuff</p>
Medium priority	<p>Aerogen nebulizer disconnected, Frequency high/low, Vt high/low, Inspiratory volume limitation, High PEEP, Loss of PEEP, Pressure limitation</p> <p>Flow sensor calibration needed, Turn flow sensor, Check flow sensor for water (Neonatal)</p> <p>Fan failure, Function key not operational, Performance limited by high altitude, Real-time clock failure, Battery low</p> <p>Remote communication error, Remote communication timeout</p> <p><i>CO2</i>⁵ PetCO2 high/low</p> <p><i>SpO2</i>⁴ SpO2: Adapter missing, SpO2: Light interference, SpO2: Low perfusion index, SpO2: Poor signal, SpO2: Probe missing, SpO2: Patient disconnected, SpO2: Sensor error, PI high/low, PVI high/low, Pulse high/low, SpO2 low</p> <p><i>HAMILTON-H900</i>: Check humidifier, Humidifier chamber temp low, Humidifier Y-piece temp low, Humidifier water low, Humidifier check chamber, Humidifier check left/right tube</p> <p><i>IntelliCuff</i>: Check IntelliCuff, Cuff deflated, Cuff pressure high, Cannot turn off IntelliCuff</p>
Low priority	<p>ASV: Cannot meet target, Maximum leak compensation, Pressure limit has changed, Pressure high, Suctioning maneuver, Apnea ventilation, Apnea ventilation ended</p> <p>Flow sensor calibration needed, Replace HEPA filter, IRV (inverse ratio ventilation), Release valve defective, Touch not functional, Check settings, Settings file error, Language not loaded, Panel settings file error</p> <p>Continue charging battery, Battery calibration required, Battery replacement required, Wrong battery, Battery low, Loss of external power</p> <p>O2 sensor calibration needed, O2 sensor defective, O2 sensor missing, O2 sensor not system compatible</p> <p>Invalid communication board</p> <p><i>CO2</i>⁵ CO2 calibration needed, CO2 sensor defect, CO2 sensor disconnected, CO2 sensor over temperature, CO2 sensor warmup, Check CO2 sampling line, Check CO2 airway adapter, CO2: Poor signal</p> <p><i>SpO2</i>⁴ SpO2 high</p> <p><i>HAMILTON-H900</i>: Check humidifier, Check humidifier communication</p> <p><i>IntelliCuff</i>: Check IntelliCuff</p>

⁴ If the SpO2 option is installed and enabled.

⁵ If the CO2 option is installed and enabled.

Control settings and ranges

Parameter (units)	Range Adult/Ped ⁶	Range Neonatal ⁶
%MinVol (%)	25 to 350	--
Apnea backup	On, Off	On, Off
Cuff pressure ⁷ (cmH2O)	0 to 50	0 to 50
End PEEP ⁸ (cmH2O)	0 to 35	0 to 35
Expiratory trigger sensitivity ETS (%)	5 to 80	5 to 80
Flow pattern	Square, 50% decelerating, Sine, 100% decelerating	--
Flow trigger (l/min)	0.5 to 20, off	0.1 to 5.0, off
Flow ⁹ (l/min)	2 to 60	2 to 12
Gender (sex)	Male, Female	--
I:E	1:9 to 4:1	1:9 to 4:1
Max. pressure ⁷ (cmH2O)	6 to 50	6 to 50
Min. pressure ⁷ (cmH2O)	5 to 49	5 to 49
Nebulizer Duration (min)	5 to 40, continuous	5 to 40, continuous
Nebulizer Synchronisation	Inspiration, Exhalation, Insp. and Exh.	Inspiration, Exhalation, Insp. and Exh.
Oxygen (%)	21 to 100	21 to 100
P high (cmH2O) (only in DuoPAP and APRV)	0 to 100	0 to 60
P low (cmH2O) (only in APRV)	0 to 50	0 to 25
Pasvlimit (cmH2O)	5 to 100	--
Pat. height (cm) (in)	30 to 250 / 12 to 98	--
Pause (%)	0 to 70	--
Pcontrol (cmH2O)	5 to 100	3 to 60
Peak flow (l/min)	1 to 195	--
PEEP/CPAP (cmH2O)	0 to 50	0 to 25
Pinsp (cmH2O)	3 to 100	0 to 60
P-ramp (ms)	0 to 2000	0 to 600
Pressure trigger (cmH2O)	-0.1 to -15.0, off	-0.1 to -15.0, off
Pstart ⁸ (cmH2O)	0 to 35	0 to 35
Psupport (cmH2O)	0 to 100	0 to 60
Ptop ⁸ (cmH2O)	25 to 60	25 to 60
Ramp speed ⁸ (cmH2O/s)	2 to 5	2 to 5
Rate (b/min)	1 to 80	1 to 150
Rel. pressure ⁷ (cmH2O)	-15 to 5	-15 to 5

⁶ Parameter settings and ranges can vary depending on the selected mode.

⁷ If the IntelliCuff integrated cuff pressure controller option is installed.

⁸ If the P/V Tool Pro option is installed.

⁹ Only for high flow oxygen therapy.

Parameter (units)	Range Adult/Ped ⁶	Range Neonatal ⁶
Set temp ¹⁰ (°C)	INV: 35 to 41 NIV: 30 to 35	INV: 35 to 41 NIV: 30 to 35
Sigh	On, Off	--
T gradient ¹⁰ (°C)	-2 to 3	-2 to 3
T high (s) (in DuoPAP und APRV)	0.1 to 40	0.1 to 40
T low (s) (in APRV)	0.2 to 40	0.2 to 40
TI (s)	0.1 to 12	0.1 to 12
TI max (s)	0.5 to 3	0.25 to 3.0
TIp (s)	0 to 8	--
Tpause ⁸ (s)	0 to 30	0 to 30
TRC compensation (%)	0 to 100	0 to 100
Vt (ml)	20 to 2000	2 to 300
Weight (kg)	--	0.2 to 30.0

Monitoring parameters

Parameter (units)	Description	
Pressure	AutoPEEP (cmH2O)	Unintended positive end-expiratory pressure
	Paw (cmH2O)	Airway pressure
	ΔP (cmH2O)	Driving pressure
	PTP (cmH2O*s)	Inspiratory pressure time product
	Pcuff (cmH2O)	Cuff pressure
	Ptrans I (cmH2O)	The arithmetic mean value of Ptranspulm over the last 100 ms of the last inspiration.
	Ptrans E (cmH2O)	The arithmetic mean value of Ptranspulm over the last 100 ms of the last expiration.
	PEEP/CPAP (cmH2O)	PEEP (positive end-expiratory pressure) and CPAP (continuous positive airway pressure)
	Pinsp (cmH2O)	Inspiratory pressure
	Pmean (cmH2O)	Mean airway pressure
	Ppeak (cmH2O)	Peak airway pressure
	Pplateau (cmH2O)	Plateau or end-inspiratory pressure
	Pes min (cmH2O)	See PEEP. The pressure is measured through the Pes port instead of using airway pressure.
	Pes max (cmH2O)	See Ppeak. The pressure is measured through the Pes port instead of using airway pressure.
	Pes plateau (cmH2O)	See Pplateau. The pressure is measured through the Pes port instead of using airway pressure.
	Pes PTP (cmH2O)	See PTP. The pressure is measured through the Pes port instead of using airway pressure.
	Pes P0.1 (cmH2O)	See P0.1. The pressure is measured through the Pes port instead of using airway pressure.

¹⁰ If the HAMILTON-H900 humidifier integration option is installed.

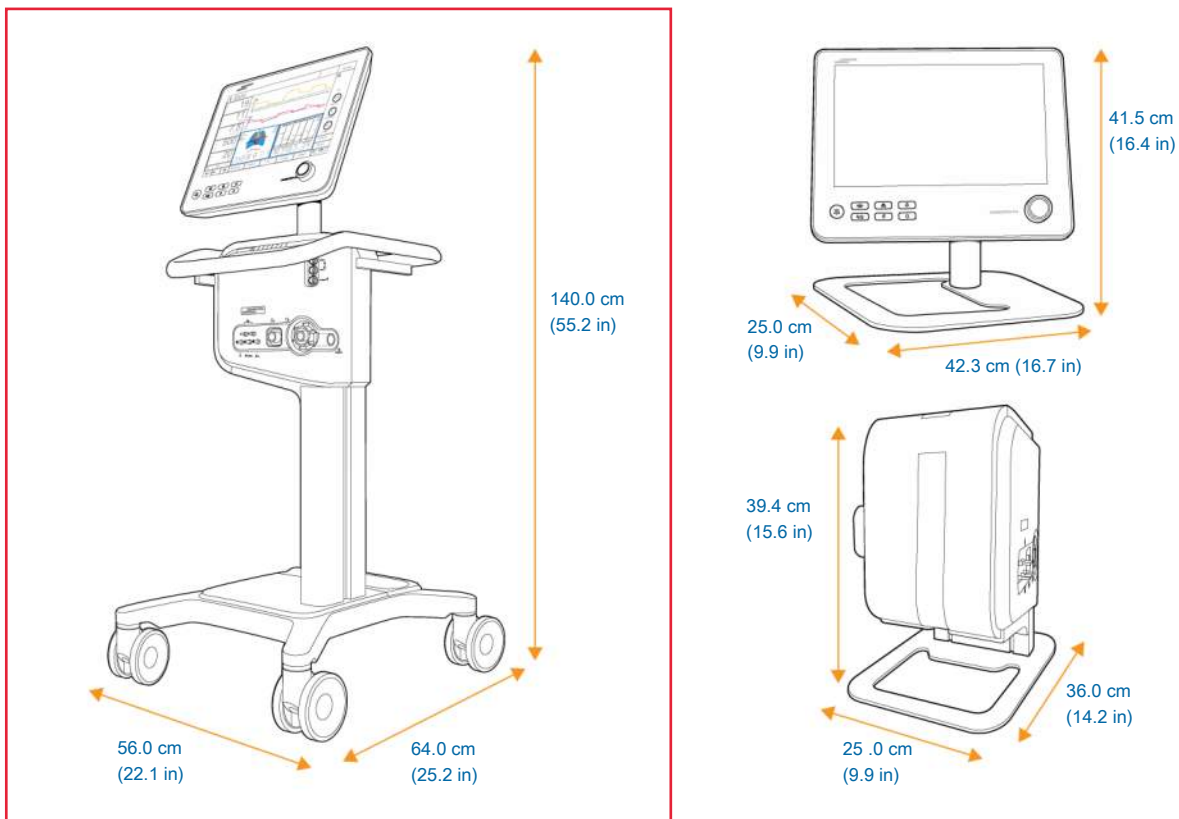
Parameter (units)		Description
Flow	Control Flow (l/min)	The set flow of gas to the patient when using HiFlowO2
	Insp Flow (l/min)	Peak inspiratory flow, spontaneous or mandatory
	Exp Flow (l/min)	Peak expiratory flow
Volume	ExpMinVol or MinVol NIV (l/min)	Expiratory minute volume
	MVSpont or MVSpont NIV (l/min)	Spontaneous expiratory minute volume
	VTE or VTE NIV (ml)	Expiratory tidal volume
	VTESpont (ml)	Spontaneous expiratory tidal volume
	VTI or VTI NIV(ml)	Inspiratory tidal volume
	Vt/IBW	Tidal volume is calculated by ideal body weight (adult/pediatric patients) and according to the actual body weight for neonatal patients.
	VtWeight (ml/kg)	
	VLeak (%) or MVLeak (l/min)	Leakage percent or total minute volume leakage
	CO2	FetCO2 (%)
PetCO2 (mmHg)		End-tidal CO2 pressure
slopeCO2 (%CO2/l)		Slope of the alveolar plateau in the PetCO2 curve, indicating the volume/flow status of the lungs
V'alv (l/min)		Alveolar minute ventilation
Vtalv (ml)		Alveolar tidal ventilation
V'CO2 (ml/min)		CO2 elimination
VDaw (ml)		Airway dead space
VDaw/VTE (%)		Airway dead space fraction at the airway opening
VeCO2 (ml)		Exhaled CO2 volume
ViCO2 (ml)		Inspired CO2 volume
SpO2		SpO2 (%)
	Pulse (1/min)	Pulse
	Plethysmogram	The waveform that visualizes the pulsating blood volume; it is delivered by the pulse oximeter.
	SpO2/FiO2 (%)	The SpO2/FiO2 ratio (%) is an approximation of the PaO2/FiO2 ratio, which, in contrast to PaO2/FiO2, can be calculated noninvasively and continuously
	PI (%)	Perfusion index
	PVI (%)	Pleth variability index
	SpCO (%)	Carboxyhemoglobin saturation
	SpMet (%)	Methemoglobin saturation
	SpHb (g/dl) (mmol/l)	Total hemoglobin
	SpOC (ml/dl)	Oxygen content
Oxygen	Oxygen (%)	Oxygen concentration of the delivered gas

Parameter (units)		Description
Time	I:E	Inspiratory:expiratory ratio
	fControl (b/min)	Mandatory breath frequency
	fSpont (b/min)	Spontaneous breathing frequency
	fTotal (b/min)	Total breathing frequency
	TI (s)	Inspiratory time
	TE (s)	Expiratory time
	Pause (s)	Inspiratory pause or plateau
Lung mechanics	Cstat (ml/cmH2O)	Static compliance
	P0.1 (cmH2O)	Airway occlusion pressure
	PTP (cmH2O*s)	Pressure time product
	RCexp (s)	Expiratory time constant
	Rinsp (cmH2O / (l/s))	Inspiratory flow resistance
	RSB (1 / (l*min))	Rapid shallow breathing index
Humidifier related	T humidifier (°C)	Measured temperature at water chamber exit
	T Y-piece (°C)	Measured temperature at the Y-piece

Physical characteristics

Weight	Monitor (interaction panel) without shelf mount: 7.8 kg (17.2 lb)
	Monitor with shelf mount: 10 kg (22 lb)
	Ventilation unit with shelf mount: 10.5 kg (23.2 lb)
	Ventilation unit, monitor, and trolley: 46 kg (101 lb)
	The trolley can accommodate a maximum safe working load ¹¹ of 80 kg (176 lb).
Dimensions, Trolley and shelf mount solutions	See figure below
Dimensions, Combined shelf mount solution, monitor tilt/swivel range	See next page
Monitor	Type: Color TFT, Size: 1920 x 1200 pixels, 17 in (431.8 mm) diagonal
Monitor mounting options	VESA, pole mount, rail mount, handle mount
Trolley accessories	Basket, O2 cylinder holders (two bottles), humidifier mounting system, additional standard rail, bed docking system

Figure 1. HAMILTON-C6 dimensions



¹¹ The maximum safe working load applies to a stationary, properly load-balanced trolley.

Shelf mount dimensions

See the figures below

Monitor mounted to *left* of ventilator body,
monitor tilt and swivel ranges
(see top figure below)

Monitor tilt range: Forward = 30°; Backward = 37°

Monitor swivel range: 34° to the left from neutral

Monitor mounted to *right* of ventilator body,
monitor tilt and swivel ranges
(see bottom figure below)

Monitor tilt range: Forward = 30°; Backward = 37°

Monitor swivel range: 144° to the right from neutral to 22° to the left

Figure 2. Shelf mount dimensions, monitor mounted to the *left* of the ventilator body, monitor swivel and tilt ranges

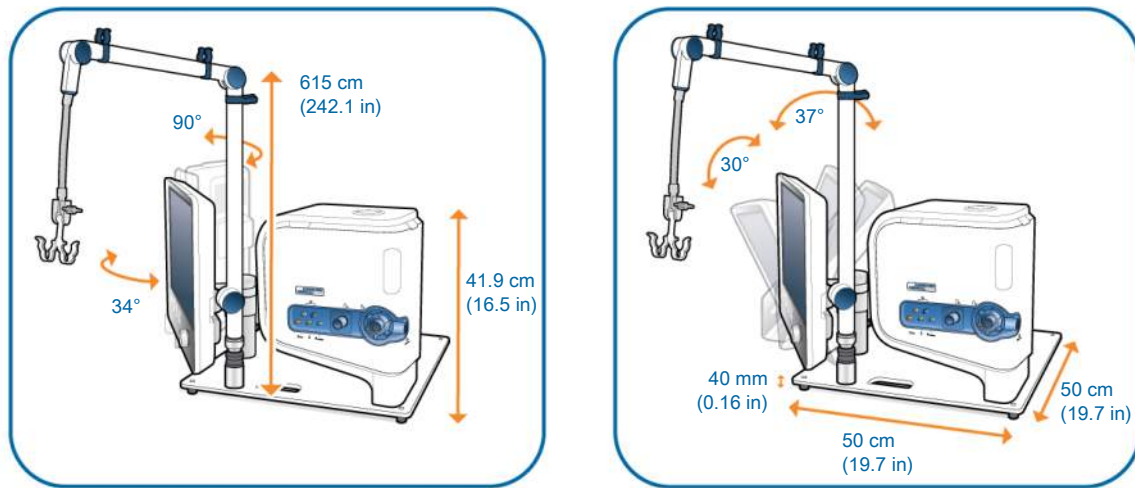
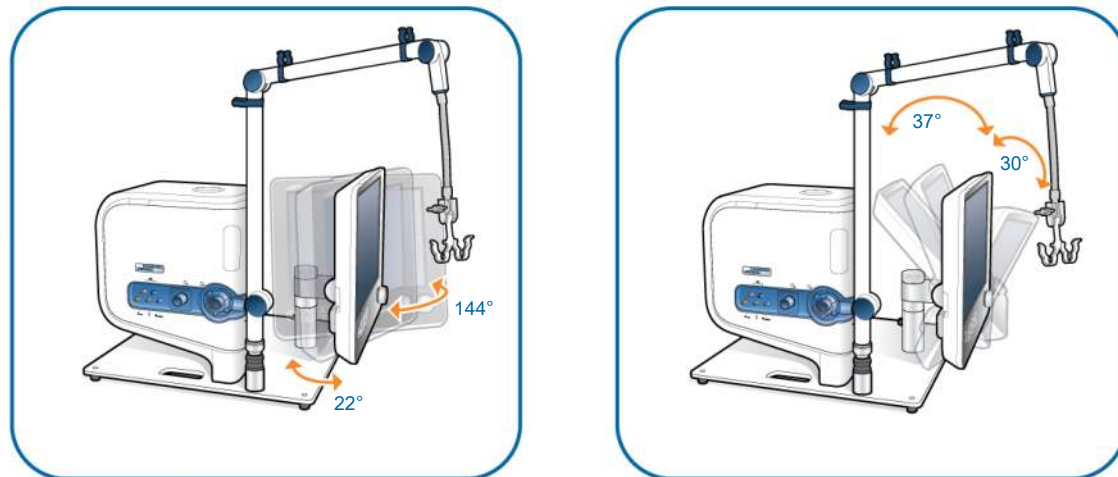


Figure 3. Shelf mount dimensions, monitor mounted to *right* of ventilator body, monitor swivel and tilt ranges



All angles in the figures above are relative to the monitor facing forward, with the bottom of the monitor parallel to the shelf plate, at a 90° angle relative to the floor. References to *left* and *right* refer to the reader's left and right, viewing the monitor from the front.

Manufacturer:

Hamilton Medical AG

Via Crusch 8, 7402 Bonaduz, Switzerland

☎ +41 58 610 10 20

✉ info@hamilton-medical.com

www.hamilton-medical.com

10105432/00

© 2021 Hamilton Medical AG. All rights reserved. Specifications are subject to change without notice. Some features are options. Not all features/products are available in all markets. For all proprietary trademarks (®) and third-party trademarks (®) used by Hamilton Medical AG see www.hamilton-medical.com/trademarks.

HAMILTON-C6



Model: Hamilton MR1
Category: Ventilator
Subcategory: Adult / Pediatric, MRI
Manufacturer: Hamilton Medical, Inc.
Catalog #: 14000

Atta 3 ID: VNT-E5478

Adult / Pediatric MRI ventilator with mobile stand. Features a touch screen with single knob operation, alarm lamp with audible alarms, a high-performance turbine that delivers up to 210 l/min flow, and an integrated gaussmeter (TeslaSpy) to make the magnetic field visible for positioning of the device. The integrated turbine allows for transporting patients to the MRI department and back again with continuous ventilation care with both non-invasive positive pressure ventilation (NIV) and full-featured invasive ventilation modes. Event log stores up to 1000 events with date and time stamp. MRI conditional: 1.5 and 3.0 T static magnetic field; Proximity to MRI: 50 mT (equal 1 m for a 3T scanner). Includes set-up kit and one box of flow sensors. Additional options not included: DuoPAP/APRV, NIV/NIV-ST, Trends/Loops, Neonatal application, nCPAP/nCPAP-PC, HiFlowO2, SpeakValve; must be ordered separately.

General Production Detail

Arch Sig: No	Spatial Sig: No
Arch Code: 02-Movable Electrical	ADA: No
Critical Path: No	Antimicrobial: No
Type: Medical	Green: No
Furnish Install: Owner / Owner	

Physical Requirements

Width (in.): 24.8000	Left (in.): N/A
Depth (in.): 25.0000	Right (in.): N/A
Height (in.): 55.1000	Front (in.): N/A
Product Weight (lbs): 46.2000	Back (in.): N/A
Max Operating Weight (lbs):	Top (in.): N/A
Mounting: Counter/Cart/Table/Pole	Bottom (in.): N/A
Specification notes:	

Structural Requirements

Seismic: No	OPA #:
	Pre-Approval:
Structural notes:	

Technology Requirements

Patient Data: No	Network:
Connection Type: N/A	System:
Technical Connection notes:	

Electrical Requirements

Volts: 110	Watts: 120.0000
Hz: 60	Amps: 1.0000
KVA:	Circuit: No
UPS: N/A	Plug Type: Type B (Nema 5-15)
Emerg. Power: No	Plug Detail:
Other Volts Avail.: Yes	Electrical Phase: Single Phase
BTU/hr: N/A	
Electrical notes:	

Utility Requirements

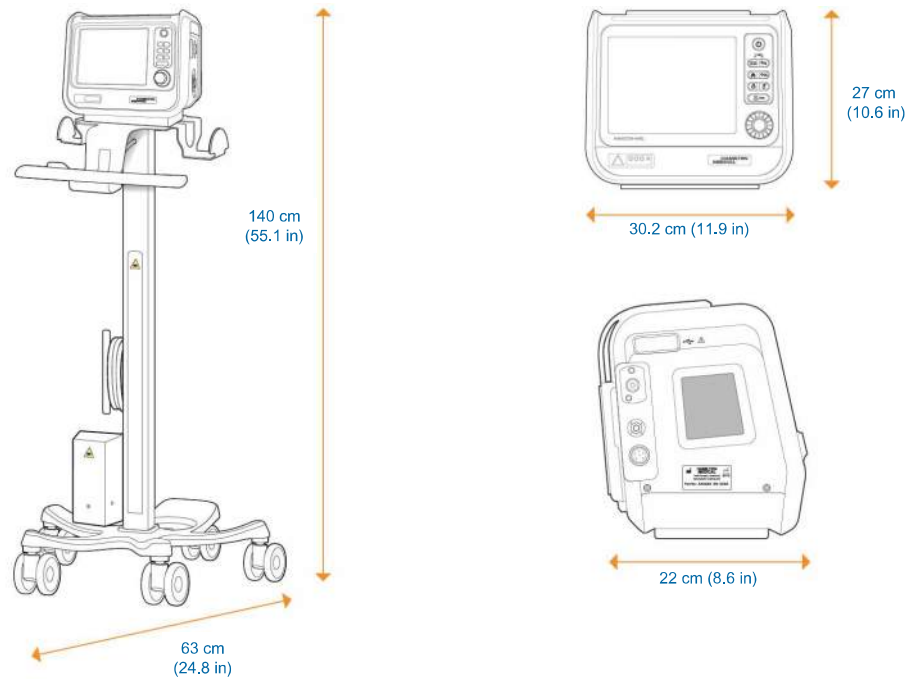
Water - Cold: No	Gas Type: N/A
Water - Hot: No	Gas Location:
Water - Treated: No	Medical Gas: No
Drain: No	Vent Type:
Drain Location:	Heat Dissipation: N/A
Steam: No	Dissipation Type: Actual
Vacuum - Den. / Med.: No/No	
Plumbing notes:	
Mechanical notes:	

Locations

Level	Arch Dept	Room	Room #	Status	Item Qty	Ext Total Config
Level 7	Respiratory Therapy	RT Clean Storage	7719	New	1	\$35,000.00

Total: 1

Physical characteristics



Weight	6.8 kg (15 lb) 21 kg (46.2 lb) with trolley The trolley can accommodate a maximum safe working load ¹⁶ of 44 kg (97 lb).
Dimensions	See graphic above
Trolley accessories	MR1 safety tether for trolley

¹⁶ The maximum safe working load applies to a stationary, properly load-balanced trolley.

Manufacturer:

Hamilton Medical AG

Via Crusch 8, 7402 Bonaduz, Switzerland

+41 58 610 10 20

info@hamilton-medical.com

www.hamilton-medical.com

10101911/02

Specifications are subject to change without notice. Some features are options. Not all features/products are available in all markets. For all proprietary trademarks and third-party trademarks used by Hamilton Medical AG see www.hamilton-medical.com/trademarks. © 2021 Hamilton Medical AG. All rights reserved.



Model: Excel Extra Wide - 22" [MDS806800]
Category: Wheelchair
Subcategory: Adult, Extra Large
Manufacturer: Medline Industries Inc.
Catalog #: MDS806800

Atta 3 ID: WCR-310CA

Extra large adult wheelchair. Features 22-inch wide seat, removable desk length arms, swing-away detachable leg rests with quad-release mechanism, over-sized chart pocket, 500 lb. weight capacity. Carbon steel frame with chip-resistant chrome plating.

General Production Detail

Arch Sig: No	Spatial Sig: No
Arch Code: 03-Movable Non-Electrical	ADA: No
Critical Path: No	Antimicrobial: No
Type: Medical	Green: No
Furnish Install: Owner / Owner	

Physical Requirements

Width (in.): 30.5000	Left (in.): N/A
Depth (in.): 40.0000	Right (in.): N/A
Height (in.): 36.5000	Front (in.): N/A
Product Weight (lbs): 88.0000	Back (in.): N/A
Max Operating Weight (lbs):	Top (in.): N/A
Mounting: Floor - Mobile	Bottom (in.): N/A
Specification notes:	

Structural Requirements

Seismic: No	OPA #:
	Pre-Approval:
Structural notes:	

Technology Requirements

Patient Data: No	Network:
Connection Type: N/A	System:
Technical Connection notes:	

Electrical Requirements

Volts:	Watts: N/A
Hz: N/A	Amps: N/A
KVA:	Circuit: No
UPS: N/A	Plug Type: N/A
Emerg. Power: No	Plug Detail:
Other Volts Avail.: No	Electrical Phase: N/A
BTU/hr: N/A	
Electrical notes:	

Utility Requirements

Water - Cold: No	Gas Type:
Water - Hot: No	Gas Location:
Water - Treated: No	Medical Gas: No
Drain: No	Vent Type:
Drain Location:	Heat Dissipation: N/A
Steam: No	Dissipation Type: Actual
Vacuum - Den. / Med.: No/No	
Plumbing notes:	
Mechanical notes:	

Locations

Level	Arch Dept	Room	Room #	Status	Item Qty	Ext Total Config
Level 7	Patient Care Support	Equipment Alcove	7516, 7713, 7819	New	2	\$3,080.64

Total: 6



Medline Extra-Wide Wheelchairs
Excel Wheelchair with Removable Desk-Length Arms and Swing-Away Footrests, 22"W[•] Wheelchairs feature threaded

- seat screw inserts to minimize stripping from upholstery changes
- Armrests and calf pads (if included) are upholstered and padded
- Carbon steel frame has rust- and chip-resistant chrome plating while navy vinyl upholstery is easy to clean
- Chart pocket is on back to keep out of patient's way but is easily accessible to caregivers
- Optional accessories: Anti-Fold Device (item MDS85196, MDS85196SSH for 24" chairs), Overhead Anti-Theft Device for 18-22" models (item MDS85197A, MDS85197SH for 24" chairs), IV Pole (item MDS85183), O2 Holder (item MDS85181U), O2/IV Combo (item MDS85190), Anti-Tip Device (item MDS85189), 22" Pushbar (item MDS85192) , Tinnerman Legrest Lock (item WCA806991)

Packaging	1 Case / Each	Report Incorrect Product Information
Manufacturer	Medline	
Manufacturer #	MDS806800	

SKU MDS806800

Specifications

ARM LENGTH	Desk Length
ASSEMBLY REQUIRED	No
AXLE TYPE	Dual
BACK HEIGHT	16 "
BARIATRIC	Yes
CASTER SIZE	8 "
FABRIC TYPE	Vinyl
FOLDABLE	Yes
LATEX FREE	Yes
LEG REST STYLE	Swing Away
MRI SAFE	No
MATERIAL	Steel
OVERALL HEIGHT	36.5 "
OVERALL WIDTH	30.5 "
OVERALL WIDTH INCHES	30.5"
PRODUCT TYPE	Manual Wheelchair
PRODUCT WEIGHT (LB)	88 lb
QUICK RELEASE AXLES	No
REAR WHEEL SIZE	24 "
REMOVABLE ARM	Yes
SEAT DEPTH	18 "
SEAT WIDTH	22 "
SEAT TO FLOOR HEIGHT	20"

Documents/SDS

No SDS content is available for this product.

VIDEOS

SELF PROPELLING	Yes
UNSPSC	42192210
WARRANTY	Yes
WEIGHT CAPACITY	500 lb.

Unit of Measure	Conversion	Net/Gross Weight (lbs)	Volume (cubic ft)	Shipping Dimensions (inch) L x W x H	GTIN
Case (CS)	1.0 Each	0.001 / 55.0	9.945	33.5 x 13.5 x 38.0	10080196132867
Each (EA)	1.0 Each	0.001 / 65.918	9.202	33.071 x 12.992 x 37.008	00080196132860

California Customers Only... WARNING

HCPCS Information

HCPCS Code: K0007

HCPCS Disclaimer: HCPCS codes and Home Health Consolidated Billing codes provided by Medline are intended as general guidelines only. Medline does not guarantee coverage or reimbursement of any products. You must address all coverage and reimbursement issues (including the correctness and accuracy of codes) with your individual payers. It is your responsibility to ensure the accuracy and appropriateness of each claim you submit, in accordance with all applicable payer requirements.

For more information on HCPCS codes, [Click here](#)



Model: Excel Shuttle - 26" [MDS809750]
Category: Wheelchair
Subcategory: Adult, Extra Large
Manufacturer: Medline Industries Inc.
Catalog #: MDS809750

Atta 3 ID: WCR-4281E

Extra large adult wheelchair. Features 26-inch wide seat, removable desk length arms, swing-away detachable elevating leg rests, hemi-height adjustable. Double cross brace & polypropylene mesh liner for support, 850 lb. weight capacity.

General Production Detail

Arch Sig: No	Spatial Sig: No
Arch Code: 03-Movable Non-Electrical	ADA: No
Critical Path: No	Antimicrobial: No
Type: Medical	Green: No
Furnish Install: Owner / Owner	

Physical Requirements

Width (in.): 35.5000	Left (in.): N/A
Depth (in.): 35.5000	Right (in.): N/A
Height (in.): 37.0000	Front (in.): N/A
Product Weight (lbs): 88.0000	Back (in.): N/A
Max Operating Weight (lbs):	Top (in.): N/A
Mounting: Floor - Mobile	Bottom (in.): N/A
Specification notes:	

Structural Requirements

Seismic: No	OPA #:
	Pre-Approval:
Structural notes:	

Technology Requirements

Patient Data: No	Network:
Connection Type: N/A	System:
Technical Connection notes:	

Electrical Requirements

Volts:	Watts: N/A
Hz: N/A	Amps: N/A
KVA:	Circuit: No
UPS: N/A	Plug Type: N/A
Emerg. Power: No	Plug Detail:
Other Volts Avail.: No	Electrical Phase: N/A
BTU/hr: N/A	
Electrical notes:	

Utility Requirements

Water - Cold: No	Gas Type:
Water - Hot: No	Gas Location:
Water - Treated: No	Medical Gas: No
Drain: No	Vent Type:
Drain Location:	Heat Dissipation: N/A
Steam: No	Dissipation Type: Actual
Vacuum - Den. / Med.: No/No	
Plumbing notes:	
Mechanical notes:	

Locations

Level	Arch Dept	Room	Room #	Status	Item Qty	Ext Total Config
Level 7	Patient Care Support	Equipment Alcove	7516, 7713, 7819	New	2	\$9,541.32

Total: 6



Medline Shuttle Extra-Wide Wheelchairs Shuttle Extra-Wide Bariatric Wheelchair with Removable Desk Length Arms and Elevating Legrests, 26"

- and leg rests provide extra comfort and make exiting easy
- Double cross-brace for maximum support and durability; hemi-height adjustable with a triple axle design
- Attractive gray hammertone finish and comfortable nylon upholstery
- Available with desk-length removable arms and detachable elevating leg rests
- Optional accessories: Anti-Fold Device (item MDS851965SH), Overhead Anti-Theft Device (item MDS85197SH), IV Pole (item MDS85183), O2 Holder (item MDS85181U), O2/IV Combo (item MDS85190), Anti-Tip Device (item MDS85189SH), Tinnerman Legrest Lock (item WCA806991)

Packaging	1 Each / Each	Report Incorrect Product Information
Manufacturer	Medline	
Manufacturer #	MDS809750	

SKU MDS809750

Specifications

ARM LENGTH	Desk Length
ASSEMBLY REQUIRED	No
AXLE TYPE	Dual
BACK HEIGHT	16 "
BARIATRIC	Yes
CASTER SIZE	8 "
FABRIC TYPE	Nylon
FOLDABLE	Yes
LATEX FREE	Yes
LEG REST STYLE	Elevating
MRI SAFE	No
MATERIAL	Nylon
OVERALL HEIGHT	37 "
OVERALL WIDTH	35.5 "
OVERALL WIDTH INCHES	35.5"
PRODUCT TYPE	Manual Wheelchair
PRODUCT WEIGHT (LB)	88 lb
QUICK RELEASE AXLES	No
REAR WHEEL SIZE	24 "
REMOVABLE ARM	Yes
SEAT DEPTH	20 "
SEAT WIDTH	26 "
SEAT TO FLOOR HEIGHT	20"

Documents/SDS

No SDS content is available for this product.

SELF PROPELLING	Yes
UNSPSC	42192210
WARRANTY	Yes
WEIGHT CAPACITY	850 lb.

Unit of Measure	Conversion	Net/Gross Weight (lbs)	Volume (cubic ft)	Shipping Dimensions (inch) L x W x H	GTIN
Each (EA)	1.0 Each	0.0 / 119.491	12.713	35.433 x 15.748 x 39.37	40080196771159

California Customers Only... WARNING

HCPCS Information

HCPCS Code: K0007 + E2202 + E2203 + K0195 OR E0990

HCPCS Disclaimer: HCPCS codes and Home Health Consolidated Billing codes provided by Medline are intended as general guidelines only. Medline does not guarantee coverage or reimbursement of any products. You must address all coverage and reimbursement issues (including the correctness and accuracy of codes) with your individual payers. It is your responsibility to ensure the accuracy and appropriateness of each claim you submit, in accordance with all applicable payer requirements.

For more information on HCPCS codes, [Click here](#)

Atta 3 ID: WDS-0CBED

Model:
Category: Waste Disposal
Subcategory: Pharmaceutical, Container
Manufacturer:
Catalog #:

Container for pharmaceutical waste.

General Production Detail

Arch Sig: No	Spatial Sig: No
Arch Code: 03-Movable Non-Electrical	ADA: No
Critical Path: No	Antimicrobial: No
Type: Medical	Green: No
Furnish Install: Owner / Owner	

Electrical Requirements

Volts:	Watts: N/A
Hz: N/A	Amps: N/A
KVA:	Circuit: No
UPS: N/A	Plug Type: N/A
Emerg. Power: No	Plug Detail:
Other Volts Avail.: No	Electrical Phase: N/A
BTU/hr: N/A	
Electrical notes:	

Physical Requirements

Width (in.): 16.5000	Left (in.): N/A
Depth (in.): 11.8120	Right (in.): N/A
Height (in.): 15.8750	Front (in.): N/A
Product Weight (lbs): 4.0000	Back (in.): N/A
Max Operating Weight (lbs):	Top (in.): N/A
Mounting: Floor	Bottom (in.): N/A
Specification notes:	

Utility Requirements

Water - Cold: No	Gas Type:
Water - Hot: No	Gas Location:
Water - Treated: No	Medical Gas: No
Drain: No	Vent Type:
Drain Location:	Heat Dissipation: N/A
Steam: No	Dissipation Type: Actual
Vacuum - Den. / Med.: No/No	
Plumbing notes:	
Mechanical notes:	

Structural Requirements

Seismic: No	OPA #:
	Pre-Approval:
Structural notes:	

Technology Requirements

Patient Data: No	Network:
Connection Type: N/A	System:
Technical Connection notes:	

Locations

Level	Arch Dept	Room	Room #	Status	Item Qty	Ext Total Config
Level 7	Critical Care	Critical Care	718, 719, 722, 723, 724, 725, 726, 727, 728, 729, 730, 731, 732, 733, 734	New	1	\$405.00
Level 7	Progressive Care	Progressive Care	701, 702, 703, 704, 705, 706, 707, 708, 709, 710, 711, 712	New	1	\$324.00
Level 7	Critical Care	Critical Care - Isolation	714, 715, 716, 717	New	1	\$108.00
Level 7	Pharmacy	Med Room	7521, 7716, 7821	New	1	\$81.00

Total: 34

4 Gallon Container in Cabinet

Model: 4 Gallon Container in Cabinet
Category: Disposal, Sharps
Subcategory: Wall Mount
Manufacturer: Stericycle
Catalog #: OC-04-2004

Atta 3 ID: WDS-B7A00



General Production Detail

Arch Sig: No	Spatial Sig: No
Arch Code: 01-Fixed Equipment	ADA:
Critical Path: No	Antimicrobial:
Type: Medical	Green:
Furnish Install: Unassigned / Unassigned	

Physical Requirements

Width (in.): 14.5000	Left (in.): N/A
Depth (in.): 6.8000	Right (in.): N/A
Height (in.): 21.8750	Front (in.): N/A
Product Weight (lbs):	Back (in.): N/A
Max Operating Weight (lbs):	Top (in.): N/A
Mounting:	Bottom (in.): N/A
Specification notes:	

Structural Requirements

Seismic:	OPA #:
	Pre-Approval:
Structural notes:	

Technology Requirements

Patient Data: N/A	Network: N/A
Connection Type: N/A	System: N/A
Technical Connection notes:	

Electrical Requirements

Volts: N/A	Watts: N/A
Hz: N/A	Amps: N/A
KVA:	Circuit:
UPS: N/A	Plug Type:
Emerg. Power: No	Plug Detail:
Other Volts Avail.:	Electrical Phase:
BTU/hr: N/A	
Electrical notes:	

Utility Requirements

Water - Cold:	Gas Type: N/A
Water - Hot:	Gas Location:
Water - Treated:	Medical Gas:
Drain:	Vent Type:
Drain Location:	Heat Dissipation: N/A
Steam:	Dissipation Type:
Vacuum - Den. / Med.: /	
Plumbing notes:	
Mechanical notes:	

Locations

Level	Arch Dept	Room	Room #	Status	Item Qty	Ext Total Config
Level 7	Progressive Care	Progressive Care	701, 702, 703, 704, 705, 706, 707, 708, 709, 710, 711, 712	New	1	\$1,800.00
Level 7	Respiratory Therapy	RT Decontam	7720	New	1	\$150.00
Level 7	Pharmacy	Med Room	7521, 7716, 7821	New	1	\$450.00
Level 7	Critical Care	Critical Care - Isolation	714, 715, 716, 717	New	1	\$600.00

Level	Arch Dept	Room	Room #	Status	Item Qty	Ext Total Config
Level 7	Critical Care	Critical Care - Patient of Size	720	New	1	\$150.00
Level 7	Critical Care	Critical Care	718, 719, 722, 723, 724, 725, 726, 727, 728, 729, 730, 731, 732, 733, 734	New	1	\$2,250.00

Total: 36



Model: Tough Guy 4PGL6 (28 qt. Beige)
Category: Waste Can
Subcategory: Open Top
Manufacturer: Grainger, Inc.
Catalog #: 4PGL6

Atta 3 ID: WST-014C1

Open top wastebasket. 28 qt. capacity, rectangular shape, fiberglass resin construction, beige color. Fire Safe.

General Production Detail

Arch Sig: No	Spatial Sig: No
Arch Code: 03-Movable Non-Electrical	ADA: No
Critical Path: No	Antimicrobial: No
Type: Non-Medical	Green: No
Furnish Install: Owner / Owner	

Electrical Requirements

Volts:	Watts: N/A
Hz: N/A	Amps: N/A
KVA:	Circuit: No
UPS: N/A	Plug Type: N/A
Emerg. Power: No	Plug Detail:
Other Volts Avail.: No	Electrical Phase: N/A
BTU/hr: N/A	
Electrical notes:	

Physical Requirements

Width (in.): 10.5000	Left (in.): N/A
Depth (in.): 10.5000	Right (in.): N/A
Height (in.): 15.2500	Front (in.): N/A
Product Weight (lbs): 5.2200	Back (in.): N/A
Max Operating Weight (lbs):	Top (in.): N/A
Mounting: Floor	Bottom (in.): N/A
Specification notes:	

Utility Requirements

Water - Cold: No	Gas Type:
Water - Hot: No	Gas Location:
Water - Treated: No	Medical Gas: No
Drain: No	Vent Type:
Drain Location:	Heat Dissipation: N/A
Steam: No	Dissipation Type: Actual
Vacuum - Den. / Med.: No/No	
Plumbing notes:	
Mechanical notes:	

Structural Requirements

Seismic: No	OPA #:
	Pre-Approval:
Structural notes:	

Technology Requirements

Patient Data: No	Network:
Connection Type: N/A	System:
Technical Connection notes:	

Locations

Level	Arch Dept	Room	Room #	Status	Item Qty	Ext Total Config
Level 7	Critical Care	Toilet/Shower (Critical Care)	718.1, 719.1, 722.1, 723.1, 724.1, 725.1, 726.1, 727.1, 728.1, 729.1, 730.1, 731.1, 732.1, 733.1, 734.1	New	1	\$954.45
Level 7	Progressive Care	Toilet/Shower (Progressive Care)	701.1, 702.1, 703.1, 704.1, 705.1, 706.1, 707.1, 708.1, 709.1, 710.1, 711.1, 712.1	New	1	\$763.56
Level 7	Patient Care Support	Toilet (Staff)	7519, 7824	New	1	\$127.26

Level	Arch Dept	Room	Room #	Status	Item Qty	Ext Total Config
Level 7	Critical Care	Toilet/Shower (Patient of Size)	720.1	New	1	\$63.63
Level 7	Patient Care Support	Office	7523	New	1	\$63.63
Level 7	Patient Care Support	Office (Nurse)	7603, 7604	New	1	\$127.26
Level 7	Critical Care	Viewing Alcove	714.3, 716.3, 718.2, 720.2, 722.2, 724.2, 725.2, 727.2, 728.2, 730.2, 731.2, 733.2	New	1	\$763.56
Level 7	Progressive Care	Viewing Alcove	701.2, 703.2, 705.2, 707.2, 709.2, 711.2	New	1	\$381.78
Level 7	Patient Care Support	Sleep Room	7605	New	1	\$63.63
Level 7	Critical Care	Nurse Station	7512, 7712, 7811, 7813, 7814	New	1	\$318.15
Level 7	Progressive Care	Nurse Station	7711, 7812	New	1	\$127.26
Level 7	Family Waiting	Toilet (public)	7504, 7505	New	1	\$127.26
Level 7	Patient Care Support	Documentation	7522, 7826	New	6	\$763.56
Level 7	Critical Care	Toilet/Shower (Isolation/ADA)	714.1, 715.1, 716.1, 717.1	New	1	\$254.52
Level 7	Patient Care Support	Alcove - Sink	--	New	1	\$190.89
Level 7	Family Waiting	Consult/Bereavement	7503	New	1	\$63.63

Total: 81



TOUGH GUY

GRAINGERCHOICE

**Fire-Resistant Wastebasket:
 Rectangular, Beige, 7 gal
 Capacity, 10 1/2 in Wd/Dia**

Item #**4PGL6** Mfr. Model #**4PGL6**
 UNSPSC #**47121702** Catalog Group #**D2118**
 Catalog Page #**1555**

Country of Origin China. Country of Origin is subject to change.

Shipping Weight 5.22 lbs

Office wastebaskets are shorter than trash cans, so they fit under a desk or table to keep them out of aisles and walkways. Their slim shape helps maximize foot space under desks while still providing a receptacle for trash.

Plastic utility trash cans are constructed of heavy-duty plastic that resists fading, cracking, and denting. They are lighter and more dent-resistant than metal cans, which makes them easier to move and handle. These plastic trash cans are used for back-of-house applications where heavy-duty construction is more important than styling, including kitchens, waste processing, and cleaning areas. They can be used to collect and contain waste with or without trash bags.


Technical Specs

Container Product Grouping	Fire-Resistant Wastebasket	Color	Beige
Container Shape	Rectangular	Height	15 1/4 in
		Width/Diameter	10 1/2 in
		Depth	10 1/2 in

Trash Container Capacity	7 gal
Specific Container Material	Fiberglass
Finish	Textured
Location	Indoor
Mobility	Stationary
Lid Options	No Lid
Lid Connection	None

Material Grouping	Plastic
Lid Opening Mechanism	None
Container Mounting Style	Free-Standing
Features	Molded In Handles
Includes	Molded In Handles
Standards	UL 242

Compliance and Restrictions

 WARNING Cancer and Reproductive Harm - www.P65Warnings.ca.gov



Model: BRUTE Dolly Black
Category: Waste Can
Subcategory: Dolly
Manufacturer: Rubbermaid Commercial Products
Catalog #: FG264000BLA

Atta 3 ID: WST-40C35

Waste can dolly. 250 load capacity. Black. Features: Innovative twist-lock design keeps containers secure. 5 non-marking casters and Structural foam construction for durability.

General Production Detail

Arch Sig: No	Spatial Sig: No
Arch Code: 03-Movable Non-Electrical	ADA: No
Critical Path: No	Antimicrobial: No
Type: Non-Medical	Green: No
Furnish Install: Owner / Owner	

Physical Requirements

Width (in.): 18.2500	Left (in.): N/A
Depth (in.): 18.2500	Right (in.): N/A
Height (in.): 6.6300	Front (in.): N/A
Product Weight (lbs): 7.0000	Back (in.): N/A
Max Operating Weight (lbs):	Top (in.): N/A
Mounting: Floor - Mobile	Bottom (in.): N/A
Specification notes:	

Structural Requirements

Seismic: No	OPA #:
	Pre-Approval:
Structural notes:	

Technology Requirements

Patient Data: No	Network:
Connection Type: N/A	System:
Technical Connection notes:	

Electrical Requirements

Volts:	Watts: N/A
Hz: N/A	Amps: N/A
KVA:	Circuit: No
UPS: N/A	Plug Type: N/A
Emerg. Power: No	Plug Detail:
Other Volts Avail.: No	Electrical Phase: N/A
BTU/hr: N/A	
Electrical notes:	

Utility Requirements

Water - Cold: No	Gas Type:
Water - Hot: No	Gas Location:
Water - Treated: No	Medical Gas: No
Drain: No	Vent Type:
Drain Location:	Heat Dissipation: N/A
Steam: No	Dissipation Type: Actual
Vacuum - Den. / Med.: No/No	
Plumbing notes:	
Mechanical notes:	

Locations

Level	Arch Dept	Room	Room #	Status	Item Qty	Ext Total Config
Level 7	Family Waiting	EVS	7606	New	1	---

Total: 1

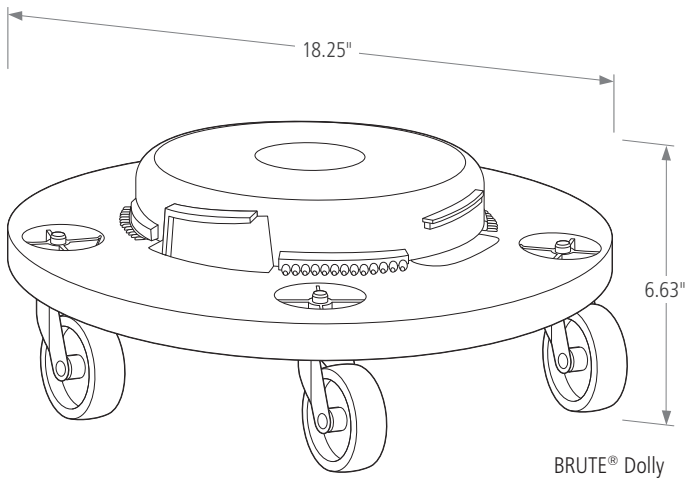
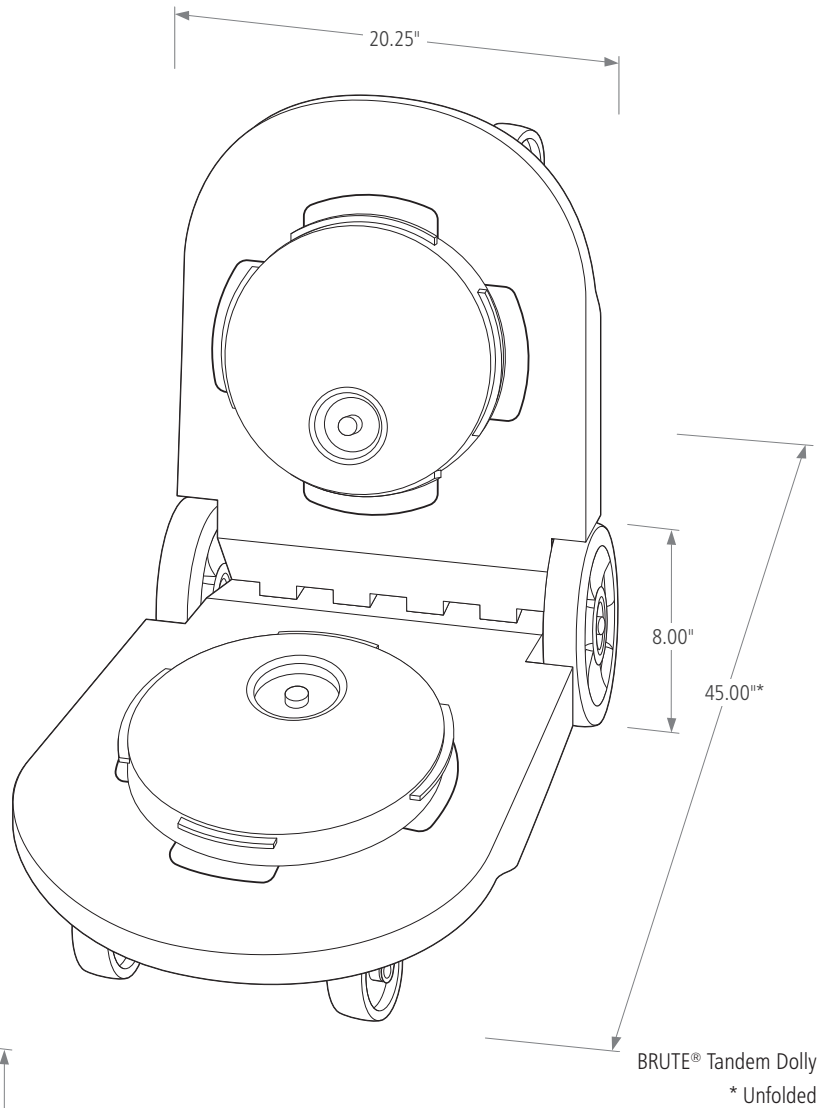


BRUTE® DOLLIES

BRUTE® dollies are designed to be durable, long-lasting, and are able to withstand the toughest commercial environments while simplifying everyday tasks.

Features and Benefits:

- Rugged casters help keep fully loaded BRUTE® containers stable, even on rough and uneven floors, and swivel smoothly for easy maneuvering
- Twist locks hold containers securely in place and unlock easily for unloading, allowing for easy transport
- Structural foam construction provides superior strength and durability



BRUTE® DOLLIES

SKU #	DESCRIPTION	COLOR	FITS	LENGTH	WIDTH	HEIGHT	DIAMETER	PACK SIZE
				IN	IN	IN	IN	
FG264000BLA	BRUTE® DOLLY	BLACK	ALL	-	-	6.63	18.25	2
FG264043BLA	BRUTE® QUIET DOLLY	BLACK	ALL	-	-	6.63	18.25	2
FG264600BLA	BRUTE® TANDEM DOLLY	BLACK	ALL	45.00	20.25	8.00	-	1





Model: 1883615 Slim Jim Resin Front Step 24 Gal/Black
Category: Waste Can
Subcategory: Step-On
Manufacturer: Rubbermaid Commercial Products
Catalog #: 1883615

Atta 3 ID: WST-989BE

Step-on waste can with 24-gallon capacity. Black. Features plastic construction, quiet and controlled lid closure, internal hinge design, liner retainer band. Meets OSHA and OBRA standards. Factory Mutual certified.

General Production Detail

Arch Sig: No	Spatial Sig: No
Arch Code: 03-Movable Non-Electrical	ADA: No
Critical Path: No	Antimicrobial: No
Type: Non-Medical	Green: No
Furnish Install: Owner / Owner	

Physical Requirements

Width (in.): 23.3800	Left (in.): N/A
Depth (in.): 13.9700	Right (in.): N/A
Height (in.): 32.7000	Front (in.): N/A
Product Weight (lbs): 13.5000	Back (in.): N/A
Max Operating Weight (lbs):	Top (in.): N/A
Mounting: Floor	Bottom (in.): N/A
Specification notes:	

Structural Requirements

Seismic: No	OPA #:
	Pre-Approval:
Structural notes:	

Technology Requirements

Patient Data: No	Network:
Connection Type: N/A	System:
Technical Connection notes:	

Electrical Requirements

Volts:	Watts: N/A
Hz: N/A	Amps: N/A
KVA:	Circuit: No
UPS: N/A	Plug Type: N/A
Emerg. Power: No	Plug Detail:
Other Volts Avail.: No	Electrical Phase: N/A
BTU/hr: N/A	
Electrical notes:	

Utility Requirements

Water - Cold: No	Gas Type:
Water - Hot: No	Gas Location:
Water - Treated: No	Medical Gas: No
Drain: No	Vent Type:
Drain Location:	Heat Dissipation: N/A
Steam: No	Dissipation Type: Actual
Vacuum - Den. / Med.: No/No	
Plumbing notes:	
Mechanical notes:	

Locations

Level	Arch Dept	Room	Room #	Status	Item Qty	Ext Total Config
Level 7	Family Waiting	EVS	7606	New	1	\$516.04

Total: 1



Streamline™ Step-On containers, constructed with the highest quality materials, meet the needs of any environment with efficiency, safety, and durability.

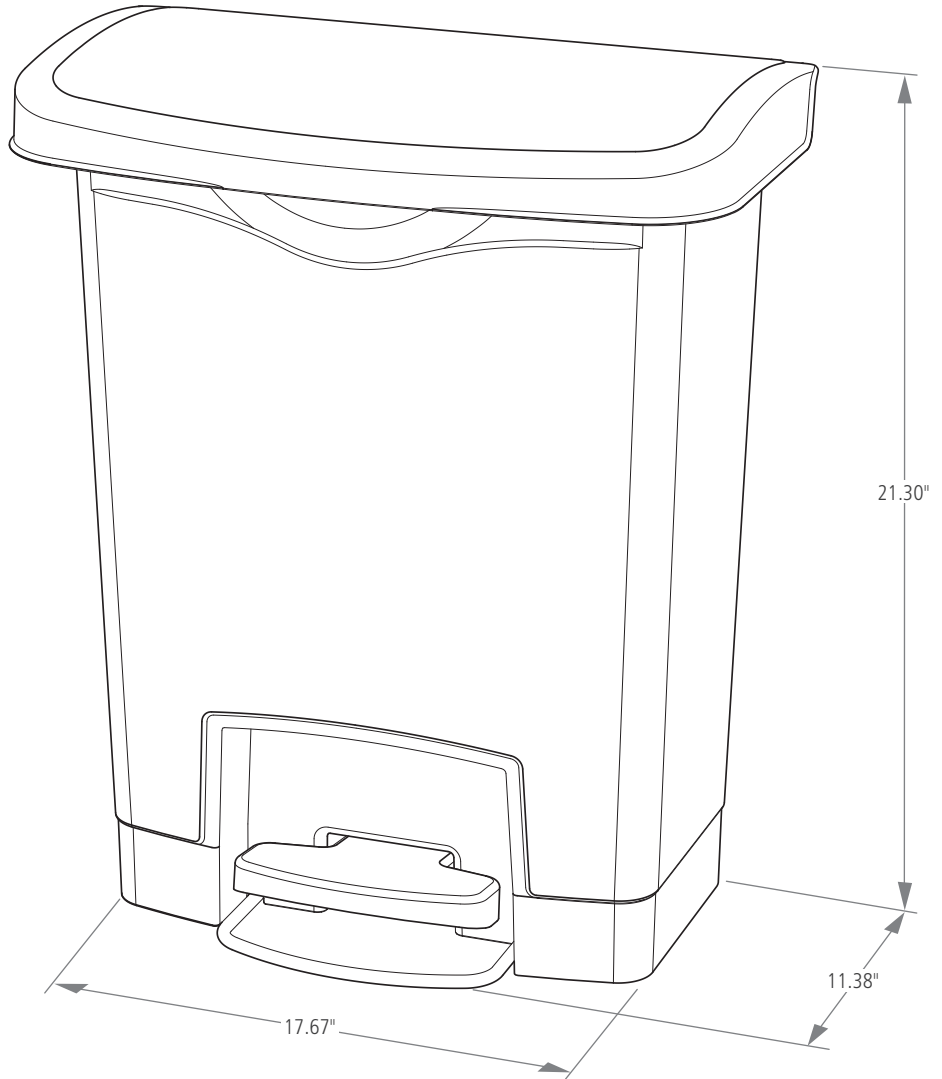
Features and Benefits:

- Available in Front Step in 5 different sizes and 7 different colors.
- Internal hinge design prevents the back of the lid from hitting the wall and causing damage.
- Quiet and controlled lid closure minimizes noise to enhance guest satisfaction.
- Liner retainer band and cinch easily and securely holds polyliners in place.
- Increased foot pedal clearance for easier access and operation.

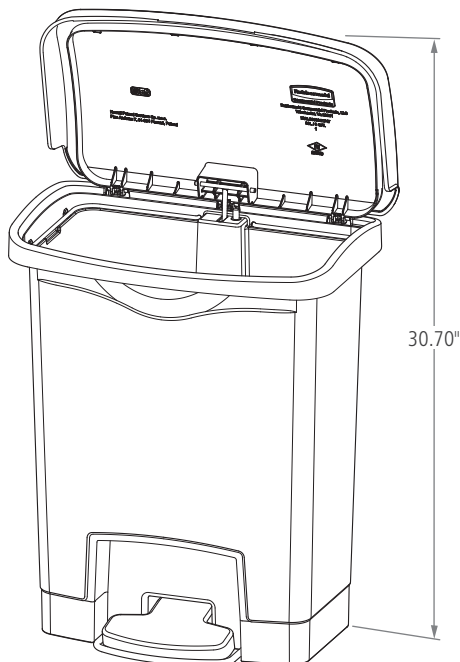


OSHA OBRA

STREAMLINE™ STEP-ON CONTAINERS



30L/8-Gallon Resin Front Step



STREAMLINE™ STEP-ON CONTAINERS

SKU #	DESCRIPTION	COLOR	CAPACITY L / GAL	LENGTH IN	WIDTH IN	HEIGHT IN	HEIGHT WITH	WEIGHT LB	PACK SIZE
							LID OPEN IN		UNIT
1883455	RESIN FRONT STEP	BEIGE	15L/4G	14.83	9.07	15.70	22.90	4.70	1
1883554	RESIN FRONT STEP	WHITE	15L/4G	14.83	9.07	15.70	22.90	4.70	1
1883563	RESIN FRONT STEP	RED	15L/4G	14.83	9.07	15.70	22.90	4.70	1
1883608	RESIN FRONT STEP	BLACK	15L/4G	14.83	9.07	15.70	22.90	4.70	1
1883456	RESIN FRONT STEP	BEIGE	30L/8G	17.67	11.38	21.30	30.70	6.00	1
1883555	RESIN FRONT STEP	WHITE	30L/8G	17.67	11.38	21.30	30.70	6.00	1
1883564	RESIN FRONT STEP	RED	30L/8G	17.67	11.38	21.30	30.70	6.00	1
1883600	RESIN FRONT STEP	GRAY	30L/8G	17.67	11.38	21.30	30.70	6.00	1
1883609	RESIN FRONT STEP	BLACK	30L/8G	17.67	11.38	21.30	30.70	6.00	1
1883458	RESIN FRONT STEP	BEIGE	50L/13G	18.91	12.11	28.50	38.70	8.50	1
1883557	RESIN FRONT STEP	WHITE	50L/13G	18.91	12.11	28.50	38.70	8.50	1
1883566	RESIN FRONT STEP	RED	50L/13G	18.91	12.11	28.50	38.70	8.50	1
1883575	RESIN FRONT STEP	YELLOW	50L/13G	18.91	12.11	28.50	38.70	8.50	1
1883593	RESIN FRONT STEP	BLUE	50L/13G	18.91	12.11	28.50	38.70	8.50	1
1883602	RESIN FRONT STEP	GRAY	50L/13G	18.91	12.11	28.50	38.70	8.50	1
1883611	RESIN FRONT STEP	BLACK	50L/13G	18.91	12.11	28.50	38.70	8.50	1
1883460	RESIN FRONT STEP	BEIGE	68L/18G	20.58	13.05	31.80	42.70	11.50	1
1883559	RESIN FRONT STEP	WHITE	68L/18G	20.58	13.05	31.80	42.70	11.50	1
1883568	RESIN FRONT STEP	RED	68L/18G	20.58	13.05	31.80	42.70	11.50	1
1883604	RESIN FRONT STEP	GRAY	68L/18G	20.58	13.05	31.80	42.70	11.50	1
1883613	RESIN FRONT STEP	BLACK	68L/18G	20.58	13.05	31.80	42.70	11.50	1
1883552	RESIN FRONT STEP	BEIGE	90L/24G	23.38	13.97	32.70	44.70	13.50	1
1883561	RESIN FRONT STEP	WHITE	90L/24G	23.38	13.97	32.70	44.70	13.50	1
1883570	RESIN FRONT STEP	RED	90L/24G	23.38	13.97	32.70	44.70	13.50	1
1883579	RESIN FRONT STEP	YELLOW	90L/24G	23.38	13.97	32.70	44.70	13.50	1
1883597	RESIN FRONT STEP	BLUE	90L/24G	23.38	13.97	32.70	44.70	13.50	1
1883606	RESIN FRONT STEP	GRAY	90L/24G	23.38	13.97	32.70	44.70	13.50	1
1883615	RESIN FRONT STEP	BLACK	90L/24G	23.38	13.97	32.70	44.70	13.50	1
1883617	RIGID LINER FOR RESIN FRONT STEP	BLACK	15L/4G	12.81	7.44	12.75	–	1.60	1
1883618	RIGID LINER FOR RESIN FRONT STEP	BLACK	30L/8G	14.81	9.06	18.13	–	2.80	1
1883619	RIGID LINER FOR RESIN FRONT STEP	BLACK	50L/13G	15.81	9.81	25.44	–	4.40	1
1883620	RIGID LINER FOR RESIN FRONT STEP	BLACK	68L/18G	17.75	10.19	28.25	–	5.40	1
1883621	RIGID LINER FOR RESIN FRONT STEP	BLACK	90L/24G	20.31	11.81	29.25	–	6.20	1
1883629	DUAL LINER SET FOR RESIN FRONT STEP	BLACK/BLUE	90L/24G	20.31	11.81	29.50	–	7.80	1



©2020 Rubbermaid Commercial Products LLC
8900 Northpointe Executive Park Drive, Huntersville, NC 28078



Model: Tough Guy 4PGL9 (10 gal Beige)
Category: Waste Can
Subcategory: Open Top
Manufacturer: Grainger, Inc.
Catalog #: 4PGL9

Atta 3 ID: WST-A025C

Open top wastebasket. 10 gallon. capacity, rectangular shape, fiberglass resin construction, beige color. Fire Safe.

General Production Detail

Arch Sig: No	Spatial Sig: No
Arch Code: 03-Movable Non-Electrical	ADA: No
Critical Path: No	Antimicrobial: No
Type: Non-Medical	Green: No
Furnish Install: Owner / Owner	

Electrical Requirements

Volts:	Watts: N/A
Hz: N/A	Amps: N/A
KVA:	Circuit: No
UPS: N/A	Plug Type: N/A
Emerg. Power: No	Plug Detail:
Other Volts Avail.: No	Electrical Phase: N/A
BTU/hr: N/A	
Electrical notes:	

Physical Requirements

Width (in.): 11.2500	Left (in.): N/A
Depth (in.): 15.0000	Right (in.): N/A
Height (in.): 20.0000	Front (in.): N/A
Product Weight (lbs): 7.1400	Back (in.): N/A
Max Operating Weight (lbs):	Top (in.): N/A
Mounting: Floor	Bottom (in.): N/A
Specification notes:	

Utility Requirements

Water - Cold: No	Gas Type:
Water - Hot: No	Gas Location:
Water - Treated: No	Medical Gas: No
Drain: No	Vent Type:
Drain Location:	Heat Dissipation: N/A
Steam: No	Dissipation Type: Actual
Vacuum - Den. / Med.: No/No	
Plumbing notes:	
Mechanical notes:	

Structural Requirements

Seismic: No	OPA #:
	Pre-Approval:
Structural notes:	

Technology Requirements

Patient Data: No	Network:
Connection Type: N/A	System:
Technical Connection notes:	

Locations

Level	Arch Dept	Room	Room #	Status	Item Qty	Ext Total Config
Level 7	Progressive Care	Progressive Care	701, 702, 703, 704, 705, 706, 707, 708, 709, 710, 711, 712	New	2	\$2,377.20
Level 7	Critical Care	Critical Care - Isolation	714, 715, 716, 717	New	2	\$792.40
Level 7	Critical Care	Critical Care - Patient of Size	720	New	2	\$198.10
Level 7	Critical Care	Critical Care	718, 719, 722, 723, 724, 725, 726, 727, 728, 729, 730, 731, 732, 733, 734	New	2	\$2,971.50



TOUGH GUY

GRAINGERCHOICE

**Fire-Resistant Wastebasket:
 Rectangular, Beige, 10 gal
 Capacity, 15 in Wd/Dia, 20 in Ht**

Item #**4PGL9** Mfr. Model #**4PGL9**
 UNSPSC #**47121702** Catalog Page #**1555**

Country of Origin China. Country of Origin is subject to change.

Office wastebaskets are shorter than trash cans, so they fit under a desk or table to keep them out of aisles and walkways. Their slim shape helps maximize foot space under desks while still providing a receptacle for trash.

Shipping Weight 7.14 lbs

Plastic utility trash cans are constructed of heavy-duty plastic that resists fading, cracking, and denting. They are lighter and more dent-resistant than metal cans, which makes them easier to move and handle. These plastic trash cans are used for back-of-house applications where heavy-duty construction is more important than styling, including kitchens, waste processing, and cleaning areas. They can be used to collect and contain waste with or without trash bags.


Technical Specs

Container Product Grouping	Fire-Resistant Wastebasket	Color	Beige
Container Shape	Rectangular	Height	20 in
Top Type	Open	Width/Diameter	15 in
Trash Container	10 gal	Depth	11 1/4 in
		Material Grouping	Plastic

Specific Container Material	Fiberglass
Finish	Textured
Location	Indoor
Mobility	Stationary
Lid Options	No Lid
Lid Connection	None

Lid Opening Mechanism	None
Container Mounting Style	Free-Standing
Features	Molded In Handles
Standards	UL 242

Compliance and Restrictions

 WARNING Cancer and Reproductive Harm - www.P65Warnings.ca.gov



Model: Tough Guy Rectangular 4PGV1 (23 gal. Beige)
Category: Waste Can
Subcategory: 20-31 Gallon
Manufacturer: Grainger, Inc.
Catalog #: 4PGV1

Atta 3 ID: WST-F1DB1

Open top waste can. 23 gallon capacity, rectangular shape, plastic construction, beige color.

General Production Detail

Arch Sig: No	Spatial Sig: No
Arch Code: 03-Movable Non-Electrical	ADA: No
Critical Path: No	Antimicrobial: No
Type: Non-Medical	Green: No
Furnish Install: Owner / Owner	

Physical Requirements

Width (in.): 11.2500	Left (in.): N/A
Depth (in.): 20.0000	Right (in.): N/A
Height (in.): 29.7500	Front (in.): N/A
Product Weight (lbs): 7.5000	Back (in.): N/A
Max Operating Weight (lbs):	Top (in.): N/A
Mounting: Floor	Bottom (in.): N/A
Specification notes:	

Structural Requirements

Seismic: No	OPA #:
	Pre-Approval:
Structural notes:	

Technology Requirements

Patient Data: No	Network:
Connection Type: N/A	System:
Technical Connection notes:	

Electrical Requirements

Volts:	Watts: N/A
Hz: N/A	Amps: N/A
KVA:	Circuit: No
UPS: N/A	Plug Type: N/A
Emerg. Power: No	Plug Detail:
Other Volts Avail.: No	Electrical Phase: N/A
BTU/hr: N/A	
Electrical notes:	

Utility Requirements

Water - Cold: No	Gas Type:
Water - Hot: No	Gas Location:
Water - Treated: No	Medical Gas: No
Drain: No	Vent Type:
Drain Location:	Heat Dissipation: N/A
Steam: No	Dissipation Type: Actual
Vacuum - Den. / Med.: No/No	
Plumbing notes:	
Mechanical notes:	

Locations

Level	Arch Dept	Room	Room #	Status	Item Qty	Ext Total Config
Level 7	Patient Care Support	Clean Supply	7512, 7718, 7812	New	1	\$193.80
Level 7	Critical Care	Critical Care - Isolation	714, 715, 716, 717	New	1	\$258.40
Level 7	Progressive Care	Nurse Station	7711, 7812	New	1	\$129.20
Level 7	Critical Care	Nurse Station	7512, 7712, 7811, 7813, 7814	New	1	\$323.00
Level 7	Respiratory Therapy	RT Clean Storage	7719	New	1	\$64.60

Level	Arch Dept	Room	Room #	Status	Item Qty	Ext Total Config
Level 7	Patient Care Support	Nourishment	7514, 7714, 7817	New	1	\$193.80
Level 7	Critical Care	Critical Care - Patient of Size	720	New	1	\$64.60
Level 7	Patient Care Support	Equipment Storage (West)	7822	New	1	\$64.60
Level 7	Patient Care Support	Multipurpose Room	7506	New	1	\$64.60
Level 7	Patient Care Support	Toilet/Shower (Sleep Room)	7606	New	1	\$64.60
Level 7	Family Waiting	Waiting Room	7500	New	1	\$64.60
Level 7	Patient Care Support	Staff Lounge	7518	New	1	\$64.60
Level 7	Respiratory Therapy	RT Decontam	7720	New	1	\$64.60
Level 7	Progressive Care	Progressive Care	701, 702, 703, 704, 705, 706, 707, 708, 709, 710, 711, 712	New	1	\$775.20
Level 7	Critical Care	Ante Room	714.2, 715.2, 716.2, 717.2	New	1	\$258.40
Level 7	Patient Care Support	Soiled Work	7520, 7820	New	1	\$129.20
Level 7	Critical Care	Critical Care	718, 719, 722, 723, 724, 725, 726, 727, 728, 729, 730, 731, 732, 733, 734	New	1	\$969.00
Level 7	Pharmacy	Med Room	7521, 7716, 7821	New	1	\$193.80
Level 7	Patient Care Support	Equipment Storage (East)	7501	New	1	\$64.60

Total: 62



TOUGH GUY

GRAINGERCHOICE

**Trash Can: Rectangular, Beige,
 23 gal Capacity, 11 1/4 in
 Wd/Dia, 20 in Dp, 29 3/4 in Ht**

Item #**4PGV1** Mfr. Model #**4PGV1**
 UNSPSC #**47121702** Catalog Group #**D2105**
 Catalog Page #**1556**

Country of Origin China. Country of Origin is subject to change.

Slim-profile rectangular plastic trash cans can be placed flush against a wall or in a corner so they take less floor space than square or round cans. Plastic cans won't chip and resist dents and rust. They are used in hallways, copy rooms, break rooms, and other areas with limited floor space.

Plastic utility trash cans are constructed of heavy-duty plastic that resists fading, cracking, and denting. They are lighter and more dent-resistant than metal cans, which makes them easier to move and handle. These plastic trash cans are used for back-of-house applications where heavy-duty construction is more important than styling, including kitchens, waste processing, and cleaning areas. They can be used to collect and contain waste with or without trash bags.

Shipping Weight 7.5 lbs

[Ship Availability Terms](#)

Technical Specs

Container Product Grouping	Trash Can	Trash Container Capacity	23 gal
Container Shape	Rectangular	Color	Beige
		Height	29 3/4 in

Top Type	Open
Material Grouping	Plastic
Specific Container Material	Plastic
Finish	Polished
Location	Indoor
Mobility	Stationary
Lid Options	No Lid

Width/Diameter	11 1/4 in
Depth	20 in
Lid Connection	None
Lid Opening Mechanism	None
Container Mounting Style	Free-Standing
Rigid Liner Material	Plastic
Standards	CA65



Model: Legacy Step-On (8 Gal/Red)
Category: Waste Can
Subcategory: Bio-Hazardous
Manufacturer: Rubbermaid Commercial Products
Catalog #: FG614300RED

Atta 3 ID: WST-FDF98

Step-on waste can, 8-gallon capacity. Red. Features: Slow-close, integrated lid damper for odor/bacteria control, puncture-resistant, commercial all-plastic construction for medical waste containment and Heavy-duty pedal for hands-free sanitary use. FM, OSHA and OBRA Compliant.

General Production Detail

Arch Sig: No	Spatial Sig: No
Arch Code: 03-Movable Non-Electrical	ADA: No
Critical Path: No	Antimicrobial: No
Type: Non-Medical	Green: No
Furnish Install: Owner / Owner	

Physical Requirements

Width (in.): 16.3000	Left (in.): N/A
Depth (in.): 15.8000	Right (in.): N/A
Height (in.): 17.1000	Front (in.): N/A
Product Weight (lbs): 6.8000	Back (in.): N/A
Max Operating Weight (lbs):	Top (in.): N/A
Mounting: Floor	Bottom (in.): N/A
Specification notes:	

Structural Requirements

Seismic: No	OPA #:
	Pre-Approval:
Structural notes:	

Technology Requirements

Patient Data: No	Network:
Connection Type: N/A	System:
Technical Connection notes:	

Electrical Requirements

Volts:	Watts: N/A
Hz: N/A	Amps: N/A
KVA:	Circuit: No
UPS: N/A	Plug Type: N/A
Emerg. Power: No	Plug Detail:
Other Volts Avail.: No	Electrical Phase: N/A
BTU/hr: N/A	
Electrical notes:	

Utility Requirements

Water - Cold: No	Gas Type:
Water - Hot: No	Gas Location:
Water - Treated: No	Medical Gas: No
Drain: No	Vent Type:
Drain Location:	Heat Dissipation: N/A
Steam: No	Dissipation Type: Actual
Vacuum - Den. / Med.: No/No	
Plumbing notes:	
Mechanical notes:	

Locations

Level	Arch Dept	Room	Room #	Status	Item Qty	Ext Total Config
Level 7	Patient Care Support	Soiled Work	7520, 7820	New	1	\$523.00

Total: 2

Rigid Liner for Resin Slim Jim®

NO.	COLOR	DESCRIPTION	U.S. DIMENSIONS	U.S. CAPACITY	U.S. SHIP WT/CTN	METRIC DIMENSIONS	METRIC CAPACITY	METRIC SHIP WT/CTN	PACK
1883617		Slim Jim® Rigid Liner for 50L/13G Resin FS	12.8" l x 7.4" w x 12.8" h	3 gal	1.6 lb	325 mm x 189 mm x 324 mm	11 L	2.0 kg	1
1883618		Slim Jim® Rigid Liner for 30L/8G Resin FS	14.8" l x 9.1" w x 18.1" h	6 gal	2.8 lb	376 mm x 230 mm x 460 mm	24 L	1.2 kg	1
1883619		Slim Jim® Rigid Liner for 50L/13G Resin FS	15.8" l x 9.8" w x 18.1" h	10.5 gal	4.4 lb	402 mm x 249 mm x 646 mm	41 L	2.0 kg	1
1883620		Slim Jim® Rigid Liner for 68L/18G Resin FS	17.8" l x 10.2" w x 28.3" h	15 gal	5.4 lb	451 mm x 259 mm x 718 mm	57 L	2.5 kg	1
1883621		Slim Jim® Rigid Liner for 90L/24G Resin FS	20.3" l x 11.8" w x 29.5" h	20 gal	6.2 lb	516 mm x 300 mm x 749 mm	77.5 L	2.8 kg	1
1883623		Slim Jim® Rigid Liner for 30L/8G Resin ES	16.5" l x 8.7" w x 19.5" h	7.5 gal	3.2 lb	419 mm x 221 mm x 495 mm	30 L	1.5 kg	1
1883624		Slim Jim® Rigid Liner for 50L/13G Resin ES	17.8" l x 9.9" w x 25.5" h	13 gal	4.6 lb	451 mm x 252 mm x 648 mm	50 L	2.1 kg	1
1883625		Slim Jim® Rigid Liner for 68L/18G Resin ES	19.2" l x 11.1" w x 28.0" h	17.5 gal	5.6 lb	487 mm x 283 mm x 711 mm	68 L	2.5 kg	1
1883626		Slim Jim® Rigid Liner for 90L/24G Resin ES	22.1" l x 11.8" w x 29.5" h	23.5 gal	6.6 lb	560 mm x 300 mm x 743 mm	90 L	3.0 kg	1

Dual Liner for Resin Slim Jim®

NO.	COLOR	DESCRIPTION	U.S. DIMENSIONS	U.S. CAPACITY	U.S. SHIP WT/CTN	METRIC DIMENSIONS	METRIC CAPACITY	METRIC SHIP WT/CTN	PACK
1883629		Dual Liner for Slim Jim® 90L/24G Resin FS	20.3" l x 11.8" w x 29.5" h	18.5 gal	7.8 lb	516 mm x 300 mm x 749 mm	71 L	3.5 kg	1

Damper Replacement for Resin Slim Jim®

NO.	COLOR	DESCRIPTION	U.S. DIMENSIONS	U.S. CAPACITY	U.S. SHIP WT/CTN	METRIC DIMENSIONS	METRIC CAPACITY	METRIC SHIP WT/CTN	PACK
1925497		Damper Replacement for 30L/ 8G & 50L/13G ES Resin	0.5" l x 2" w x 5.5" h		0.038 lb	13 mm x 51 mm x 140 mm		0.017 kg	1
1925498		Damper Replacement for 68L/18G & 90 L/24G ES Resin	0.5" l x 2" w x 5.5" h		0.038 lb	13 mm x 51 mm x 140 mm		0.017 kg	1
1925447		Damper Replacement for 30L/8G, 50L/13G, 68L/18G, & 90L/24G Resin FS	0.5" l x 2" w x 5.5" h		0.038 lb	13 mm x 51 mm x 140 mm		0.017 kg	1

Resin Step-On Containers

The Rubbermaid Commercial Step-On Container provides sanitary waste management.

- Slow-close, integrated lid damper keeps odors and bacteria from escaping
- Puncture-resistant, all-plastic construction
- Ideal for medical waste containment



FG614500RED

FG614600BEIG

NO.	COLOR	DESCRIPTION	U.S. DIMENSIONS	U.S. CAPACITY	U.S. SHIP WT/CTN	METRIC DIMENSIONS	METRIC CAPACITY	METRIC SHIP WT/CTN	PACK
FG614300	BEIGE	8G Resin Step-On	15.8" l x 16.3" w x 17.1" h	8 gal	6.8 lb	40.1 cm x 41.4 cm x 43.4 cm	30 L	3.1 kg	1
2089825	BLACK	8G Resin Step-On	15.8" l x 16.3" w x 17.1" h	8 gal	6.8 lb	40.1 cm x 41.4 cm x 43.4 cm	30 L	3.1 kg	1
FG614300	RED	8G Resin Step-On	15.8" l x 16.3" w x 17.1" h	8 gal	6.8 lb	40.1 cm x 41.4 cm x 43.4 cm	30 L	3.1 kg	1
FG614300	WHITE	8G Resin Step-On	15.8" l x 16.3" w x 17.1" h	8 gal	6.8 lb	40.1 cm x 41.4 cm x 43.4 cm	30 L	3.1 kg	1
FG614400	BEIGE	12G Resin Step-On	15.0" l x 16.3" x 23.6" h	12 gal	9.0 lb	38.1 cm x 41.4 cm x 59.9 cm	45 L	4.1 kg	1
2089820	BLACK	12G Resin Step-On	15.0" l x 16.3" x 23.6" h	12 gal	9.0 lb	38.1 cm x 41.4 cm x 59.9 cm	45 L	4.1 kg	1
FG614400	RED	12G Resin Step-On	15.0" l x 16.3" x 23.6" h	12 gal	9.0 lb	38.1 cm x 41.4 cm x 59.9 cm	45 L	4.1 kg	1
FG614400	WHITE	12G Resin Step-On	15.0" l x 16.3" x 23.6" h	12 gal	9.0 lb	38.1 cm x 41.4 cm x 59.9 cm	45 L	4.1 kg	1
FG614500	BEIGE	18G Resin Step-On	14.8" l x 19.8" w x 26.5" h	18 gal	12.4 lb	37.6 cm x 50.3 cm x 67.3 cm	68 L	5.6 kg	1
2089824	BLACK	18G Resin Step-On	14.8" l x 19.8" w x 26.5" h	18 gal	12.4 lb	37.6 cm x 50.3 cm x 67.3 cm	68 L	5.6 kg	1
FG614500	RED	18G Resin Step-On	14.8" l x 19.8" w x 26.5" h	18 gal	12.4 lb	37.6 cm x 50.3 cm x 67.3 cm	68 L	5.6 kg	1
FG614500	WHITE	18G Resin Step-On	14.8" l x 19.8" w x 26.5" h	18 gal	12.4 lb	37.6 cm x 50.3 cm x 67.3 cm	68 L	5.6 kg	1
FG614600	BEIGE	23G Resin Mobile Step-On	16.5" x 19.8" w x 32.6" h	23 gal	16.2 lb	41.9 cm x 50.3 cm x 82.8 cm	87 L	7.3 kg	1
2089821	BLACK	23G Resin Step-On	16.5" x 19.8" w x 32.6" h	23 gal	16.2 lb	41.9 cm x 50.3 cm x 82.8 cm	87 L	7.3 kg	1
FG614600	RED	23G Resin Mobile Step-On	16.5" x 19.8" w x 32.6" h	23 gal	16.2 lb	41.9 cm x 50.3 cm x 82.8 cm	87 L	7.3 kg	1
FG614600	WHITE	23G Resin Mobile Step-On	16.5" x 19.8" w x 32.6" h	23 gal	16.2 lb	41.9 cm x 50.3 cm x 82.8 cm	87 L	7.3 kg	1

UTILITY REFUSE AND RECYCLING

DECORATIVE REFUSE

CLEANING

MATERIAL HANDLING

WASHROOM

FOODSERVICE

ACCESSORIES & INDEX



Model: High Capacity Filter System 00978957
Category: Water Treatment System
Subcategory: Ice Maker, Wall Mount
Manufacturer: Follett LLC
Catalog #: 00978957

Atta 3 ID: WTR-56BCB

High capacity water filter system for use with all Follett Symphony Plus ice and water dispensers. High capacity, provides 15,000 gallons of filtration. Includes Agion silver-based antimicrobial product protection of key water contact components. Includes pre-filter, primary filter, pressure gauge and wall mounting bracket. Price reflects NET price.

General Production Detail

Arch Sig: Yes	Spatial Sig: No
Arch Code: 01-Fixed Equipment	ADA: No
Critical Path: No	Antimicrobial: Yes
Type: Medical	Green: No
Furnish Install: Owner / Contractor	

Electrical Requirements

Volts:	Watts: N/A
Hz: N/A	Amps: N/A
KVA:	Circuit: No
UPS: N/A	Plug Type: N/A
Emerg. Power: No	Plug Detail:
Other Volts Avail.: No	Electrical Phase: N/A
BTU/hr: N/A	
Electrical notes:	

Physical Requirements

Width (in.): 14.2500	Left (in.): N/A
Depth (in.): 6.0000	Right (in.): N/A
Height (in.): 18.5000	Front (in.): N/A
Product Weight (lbs): 15.0000	Back (in.): N/A
Max Operating Weight (lbs):	Top (in.): N/A
Mounting: Wall	Bottom (in.): 2.5000
Specification notes:	

Utility Requirements

Water - Cold: Yes	Gas Type:
Water - Hot: No	Gas Location:
Water - Treated: No	Medical Gas: No
Drain: No	Vent Type:
Drain Location:	Heat Dissipation: N/A
Steam: No	Dissipation Type: Actual
Vacuum - Den. / Med.: No/No	
Plumbing notes:	
Mechanical notes:	

Structural Requirements

Seismic: Yes	OPA #:
	Pre-Approval:
Structural notes:	

Technology Requirements

Patient Data: No	Network:
Connection Type: N/A	System:
Technical Connection notes:	

Locations

Level	Arch Dept	Room	Room #	Status	Item Qty	Ext Total Config
Level 7	Patient Care Support	Nourishment	7514, 7714, 7817	New	1	\$1,635.00
Level 7	Patient Care Support	Staff Lounge	7518	New	1	\$545.00

Total: 4

Water filter systems

carbon and carbonless accessories



Features

Two systems to choose – carbon or carbonless

Capacities to choose – 3,000 or 15,000 gal (11,340 or 56,700 l) for carbon or 15,000 gal (56,700 l) for carbonless

All systems includes pre-filter, primary filter, pressure gauge and wall mounting bracket

Carbon filters

- includes silver-based antimicrobial product protection of key water contact components¹
- removes chlorine, off-tastes and odors

Cleaner ice and water with all filters

- includes Micro-pure® II media (item# 00130229) or Fibredyne™ media (item# 00978957), both featuring antimicrobial product protection to inhibit the growth of biofilm and enhance filter performance¹
- traps dirt as small as 0.5 micron in size
- advanced filtration system filters out parasitic cysts
- certified to ANSI/NSF standards 42 and 53

Improve ice machine performance

- dramatically reduces the most common water-related ice machine problems to keep ice machines functioning at full capacity
- reduces scale build-up from dirt and minerals in the water
- removes dirt and abrasive particles that can damage ice machine
- saves energy and reduces downtime

Space-saving design

- all systems can be mounted in areas as small as 14.75" (45.0 cm) wide by 21.00" (53.3 cm) high or out of the way below standard 34.00" - 36.00"(86.4 cm - 91.4 cm) counters

Pre-filter system saves money

- economical pre-filter filters out large particles and extends life of primary filter

Filter system compatibility	Filter system	Capacity – gal (l)	Item number
Symphony™ and Symphony Plus™ ice and water dispensers, Maestro™ and Maestro Plus™ ice machines	Carbon	Standard – 3,000 (11,340)	00130229
Symphony and Symphony Plus ice and water dispensers, Maestro and Maestro Plus ice machines, Horizon and Horizon Elite ice machines	Carbon	High capacity – 15,000 (56,700)	00978957
Symphony and Symphony Plus ice and water dispensers, Maestro and Maestro Plus ice machines, Horizon and Horizon Elite ice machines	Carbonless	High capacity – 15,000 (56,700)	01050442

Replacement cartridge description	Filter system	Unit	Item number
Primary filter, standard capacity	Carbon	Carton of 6	00954297
		Single	00130245
Primary filter, high capacity	Carbon	Carton of 6	00978973
		Single	00978965
Primary filter, high capacity	Carbonless	Carton of 6	01050434
		Single	01050426
Pre-filter	Carbon and Carbonless	Carton of 12	00954305
		Single	00130211

Specification

W1 Width	14.25" (36.2 cm)
Depth	6.00" (15.24 cm)
H1 Height	18.50" (47.0 cm)
Service clearance	2.50" (6.35 cm) at bottom for cartridge removal
C1 Water inlet	3/4" FNPT (3/8" reducer bushing included with system)
C2 Water outlet	3/8" FNPT
C3 Pre-filter	10 micron capable
C4 Primary filter	0.5 micron capable
C5 Flushing valve	

Capacity	Carbon Standard – 3,000 gal (11,340 l) High capacity – 15,000 gal (56,700 l) Carbonless High capacity – 15,000 gal (56,700 l)
----------	---

Flow rate	Carbon Standard – 0.5 gpm (1.89 lpm) High capacity – 2.5 gpm (9.46 lpm) Carbonless High capacity – 2.0 gpm (7.57 lpm)
-----------	---

Water temperature 40 - 90 F (5 - 32 C)

Water pressure 10 - 125 psi (69 - 860 kpa)

Carbon
NSF International ISS capable standard no. 42

- Aesthetic effects –
- Chemical reduction: taste and odor and chlorine reduction
 - Mechanical filtration: particulate reduction, class 1: 99.9% reduction of particles 0.5 micron and larger in size
 - Microplastics reduction

Carbonless
NSF International standard no. 42

- Mechanical filtration: nominal particulate reduction, class I
- Microplastics reduction

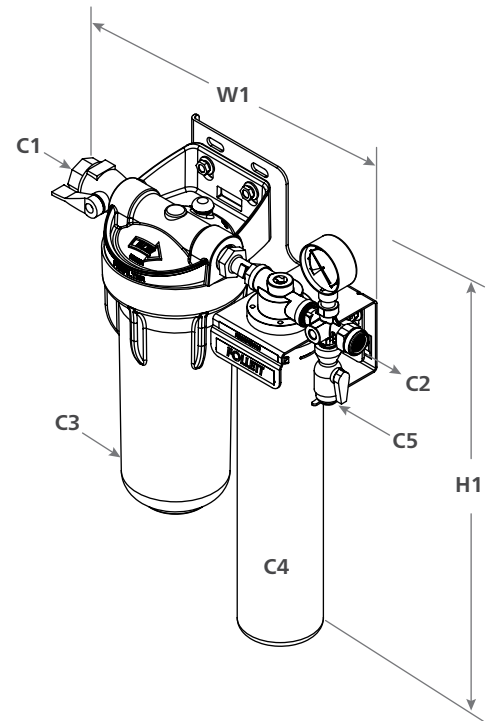
Carbon
NSF International standard no. 53

- Health effects –
- Mechanical filtration: cyst reduction
 - Turbidity reduction (high capacity only, item# 00978957)

Carbonless
NSF International standard no. 53
Approximate ship weight for filter system 15 lb (7 kg)

NOTE: For indoor use only. Check for compliance with state and local laws and regulations. Do not use any filtration system where the water is microbiologically unsafe or with water of unknown quality without adequate disinfection before or after the unit. May be used with disinfected water where filterable cysts may be present.

Dimensional drawing



¹ Disclaimer: Antimicrobial protection is limited to the treated components and does not treat water. Everpure and Micro-Pure II are registered trademarks of Everpure, a division of Pentair Foodservice. Fibredyne is a trademark of Pentair Filtration Solutions, LLC, Hanover Park, IL, USA. HORIZON, HORIZON ELITE, MAESTRO, MAESTRO PLUS, SYMPHONY and SYMPHONY PLUS are trademarks of Follett Products, LLC. FOLLETT is a registered trademark of Follett Products, LLC, registered in the US. Follett reserves the right to change specifications at any time without obligation. Certifications may vary depending on country of origin.

Water filter system accessories



801 Church Lane | Easton, PA 18040, USA
1.800.523.9361 | 1.610.252.7301 | follettice.com

