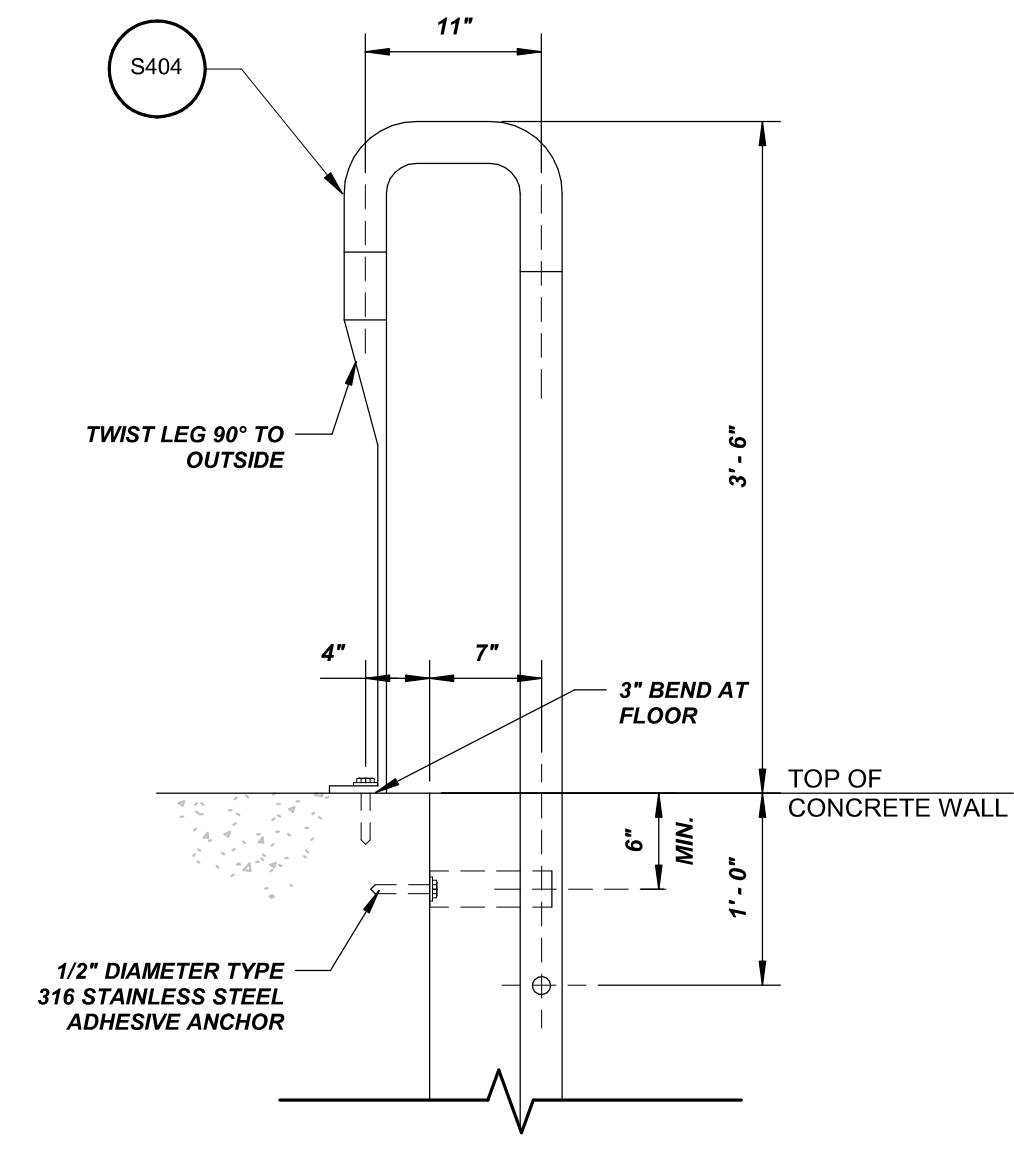
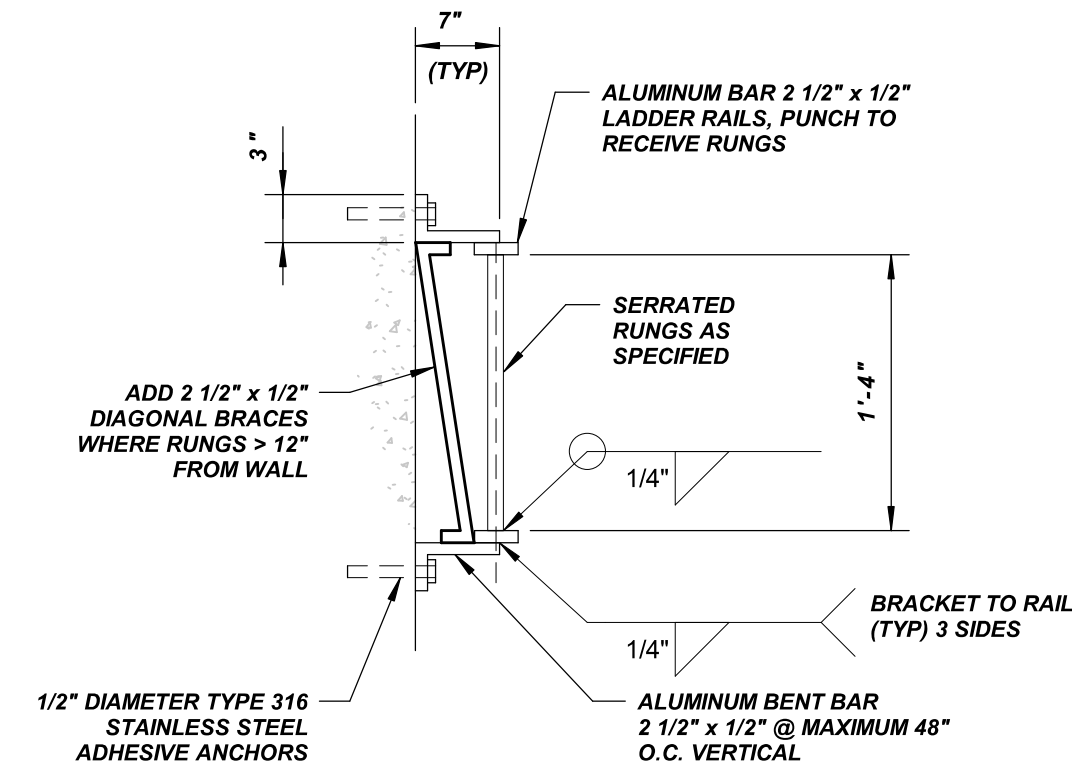


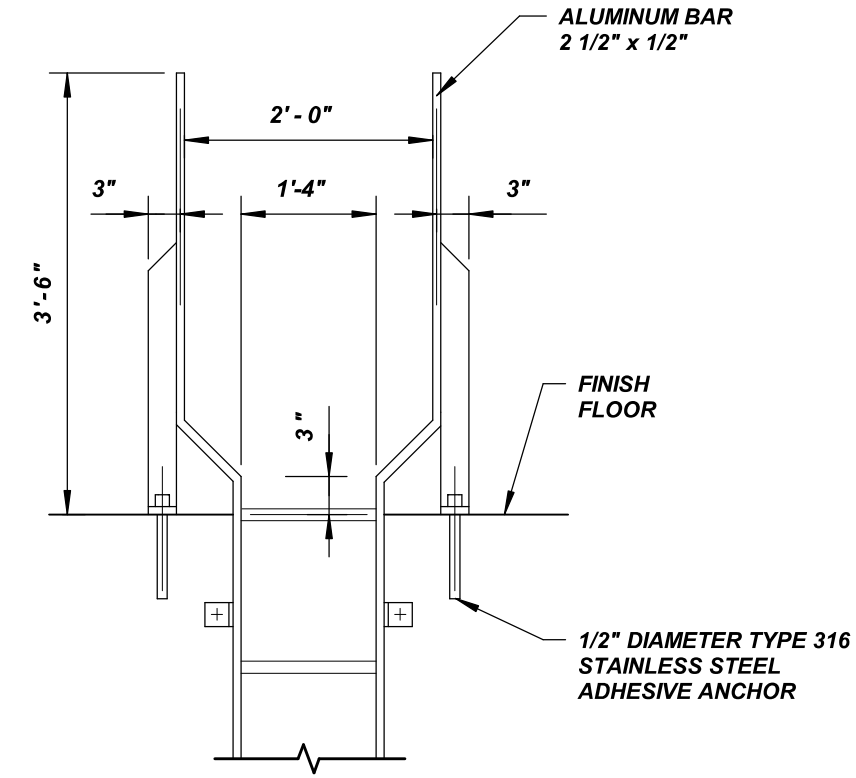
**ALUMINUM LADDER**  
**DETAIL** S401  
 N.T.S



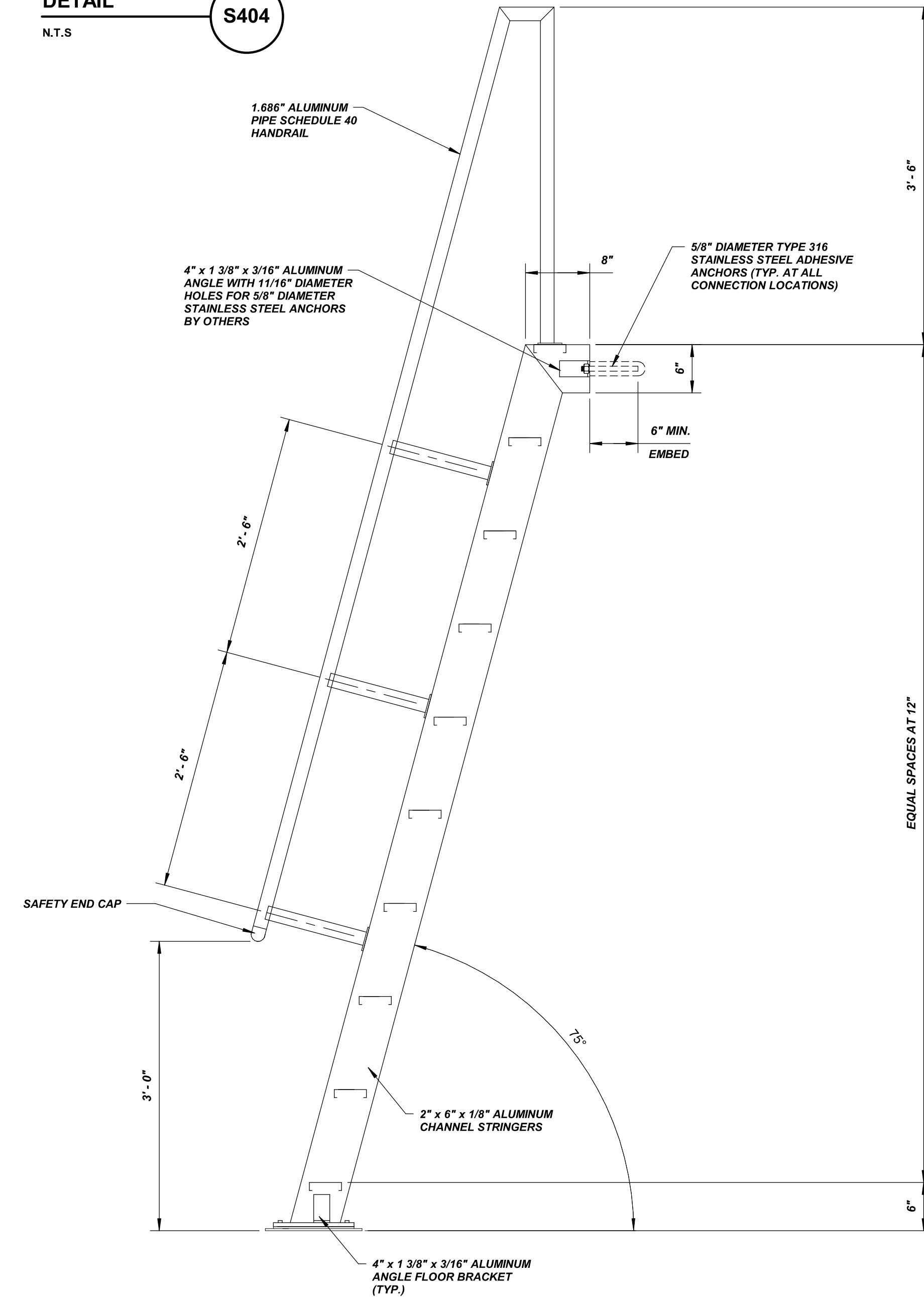
**LADDER TO T.O. WALL CONNECTION**  
**DETAIL** S402  
 N.T.S



**ALUMINUM LADDER PLAN**  
**DETAIL** S403  
 N.T.S



**ALUMINUM GOOSENECK LADDER**  
**DETAIL** S404  
 N.T.S



**SHIP LADDER**  
**DETAIL** S405  
 N.T.S

1"  
 ONE INCH AT FULL SIZE IF NOT ONE INCH SCALE ACCORDINGLY

REVISION	DATE



**HAWKINS WEIR ENGINEERS, INC.**  
**BLACK & VEATCH**

ROGERS, ARKANSAS  
 ROGERS POLLUTION CONTROL FACILITY (PCF) SOLIDS HANDLING IMPROVEMENTS, PHASE II  
**STRUCTURAL DETAIL IV**  
 FOR: ROGERS WATER UTILITIES

DATE: AUGUST 2024  
 SCALE: AS SHOWN  
 DESIGNED BY: BDP  
 DRAWN BY: ADF  
 HWEI NO.: 2020043  
 FILENAME: SZ1-SZ4

SHEET NO. SZ-4