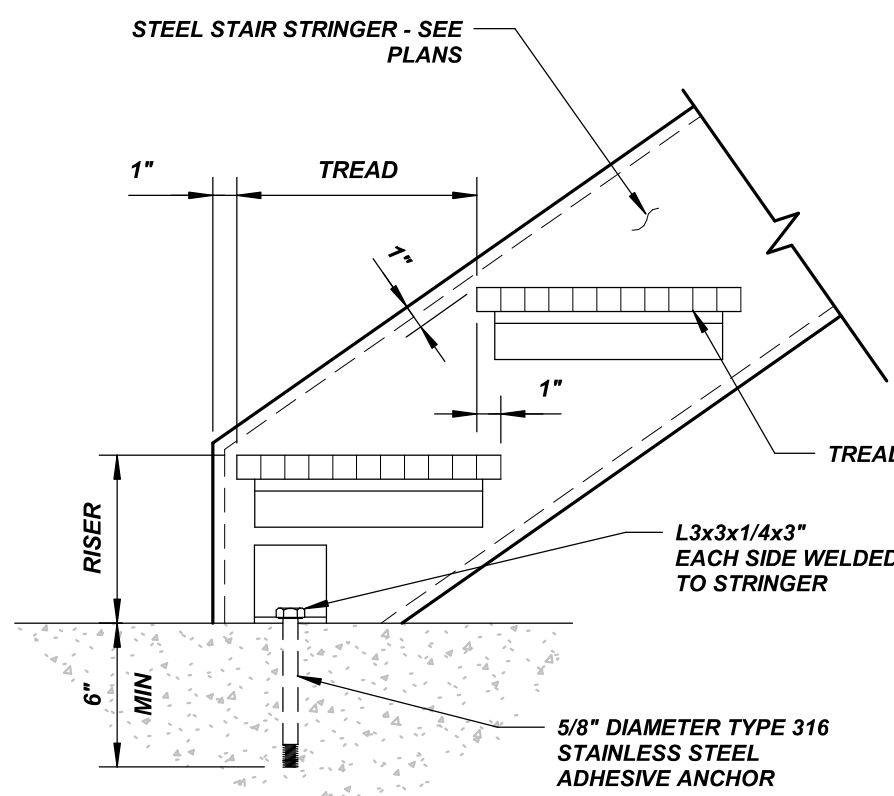


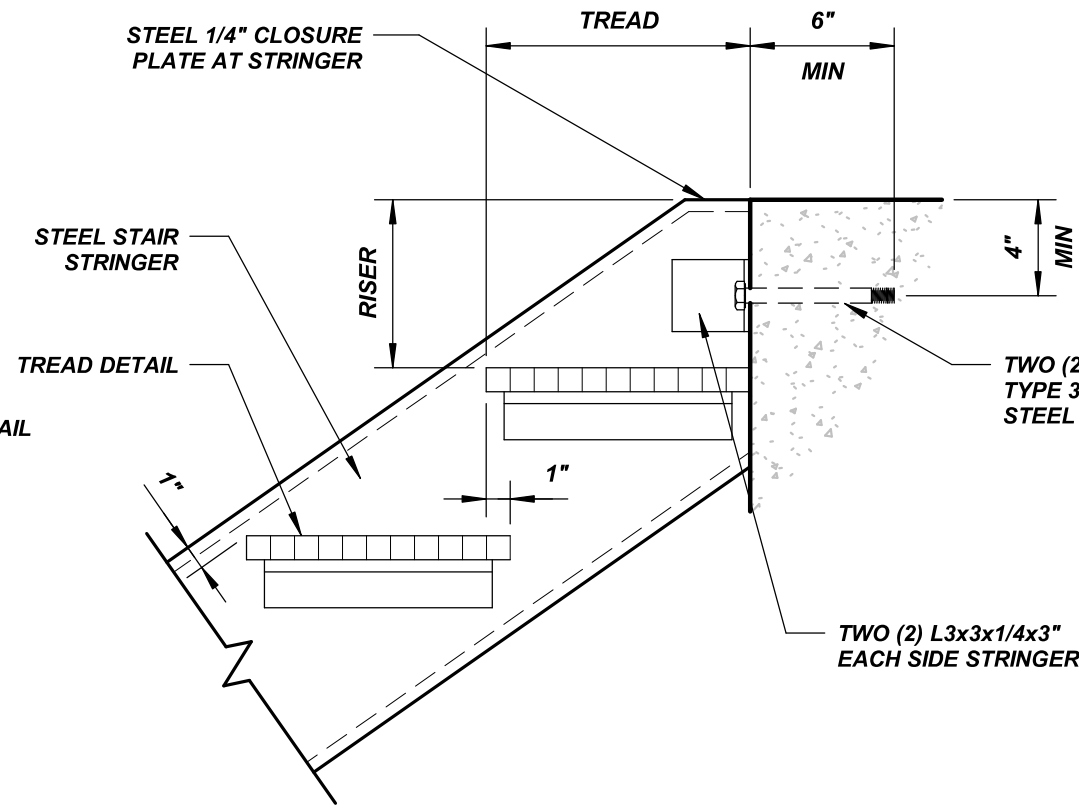
8/26/2024 9:55:16 AM / ADF / STRUCTURAL DETAILS III

Autodesk Docs://406493 - Rogers PCF Solids Phase 2/SZ1-SZ4.rvt



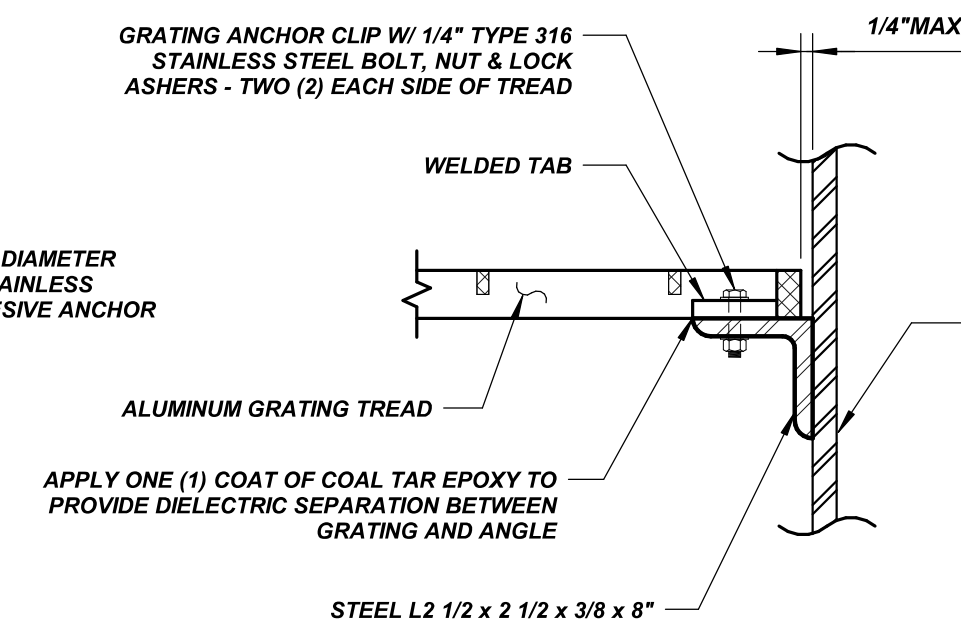
STRINGER CONNECTION AT CONCRETE SLAB (BOTTOM)

DETAIL S301  
N.T.S.



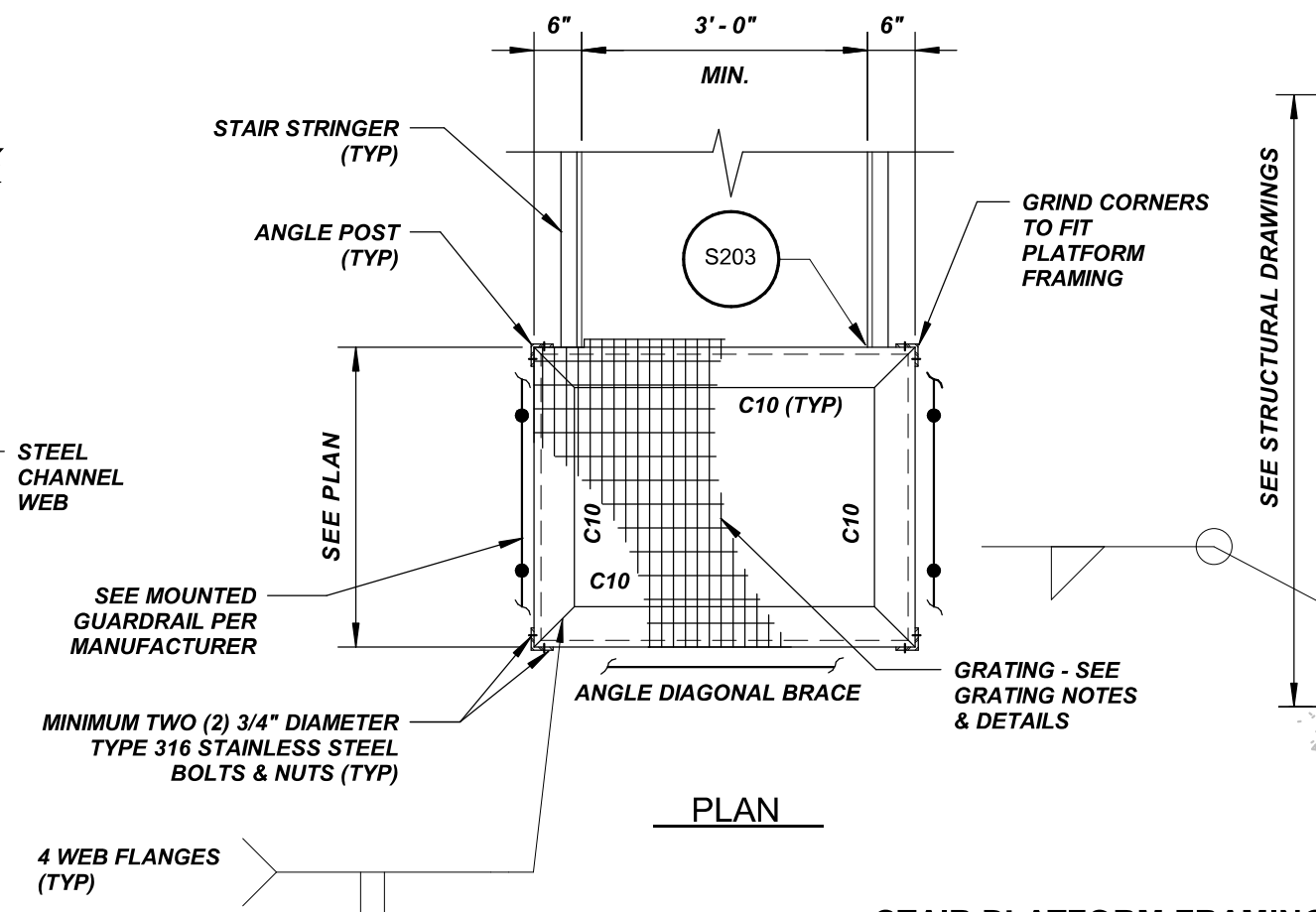
STRINGER CONNECTION AT CONCRETE WALL (TOP)

DETAIL S302  
N.T.S.



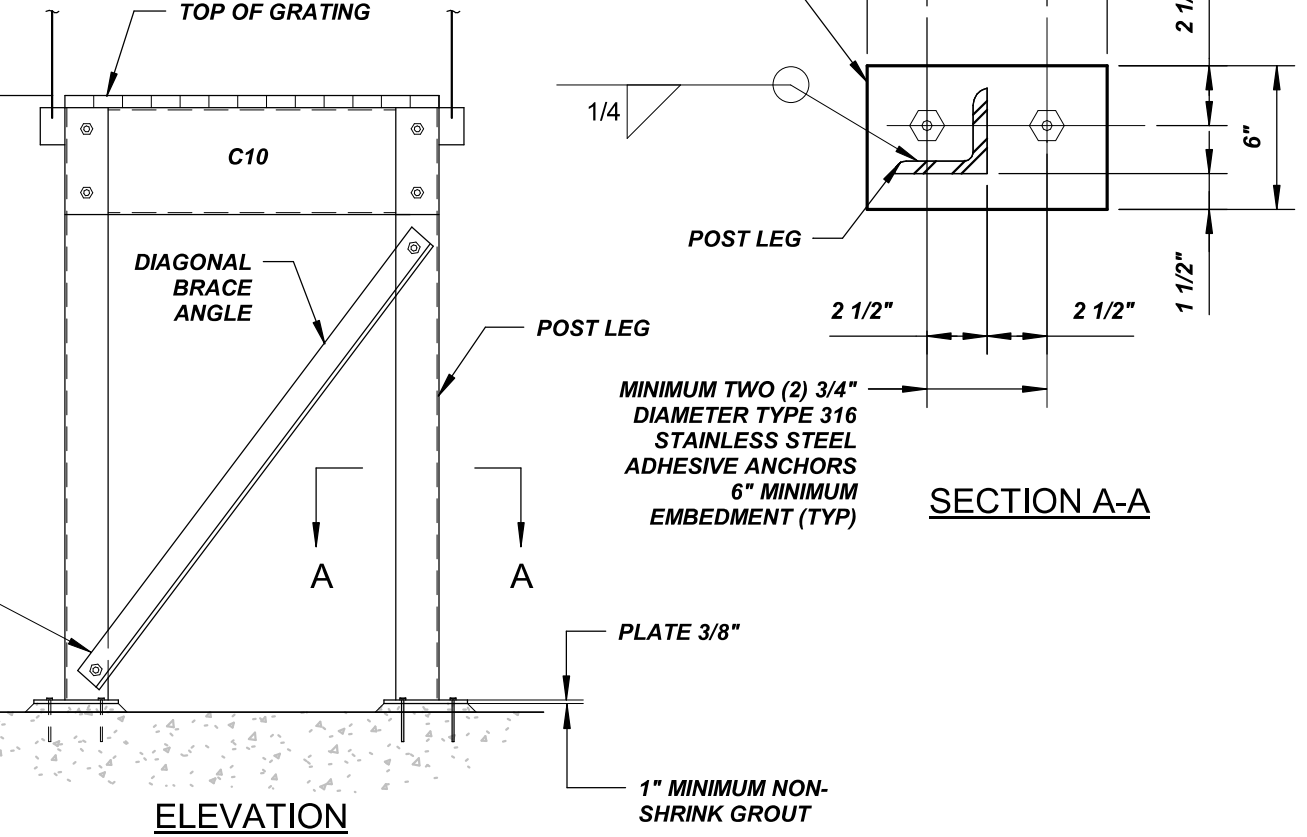
GRATING STAIR TREAD

DETAIL S303  
N.T.S.

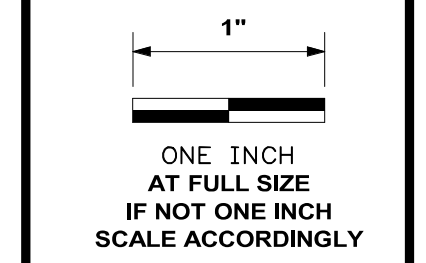


STAIR PLATFORM FRAMING

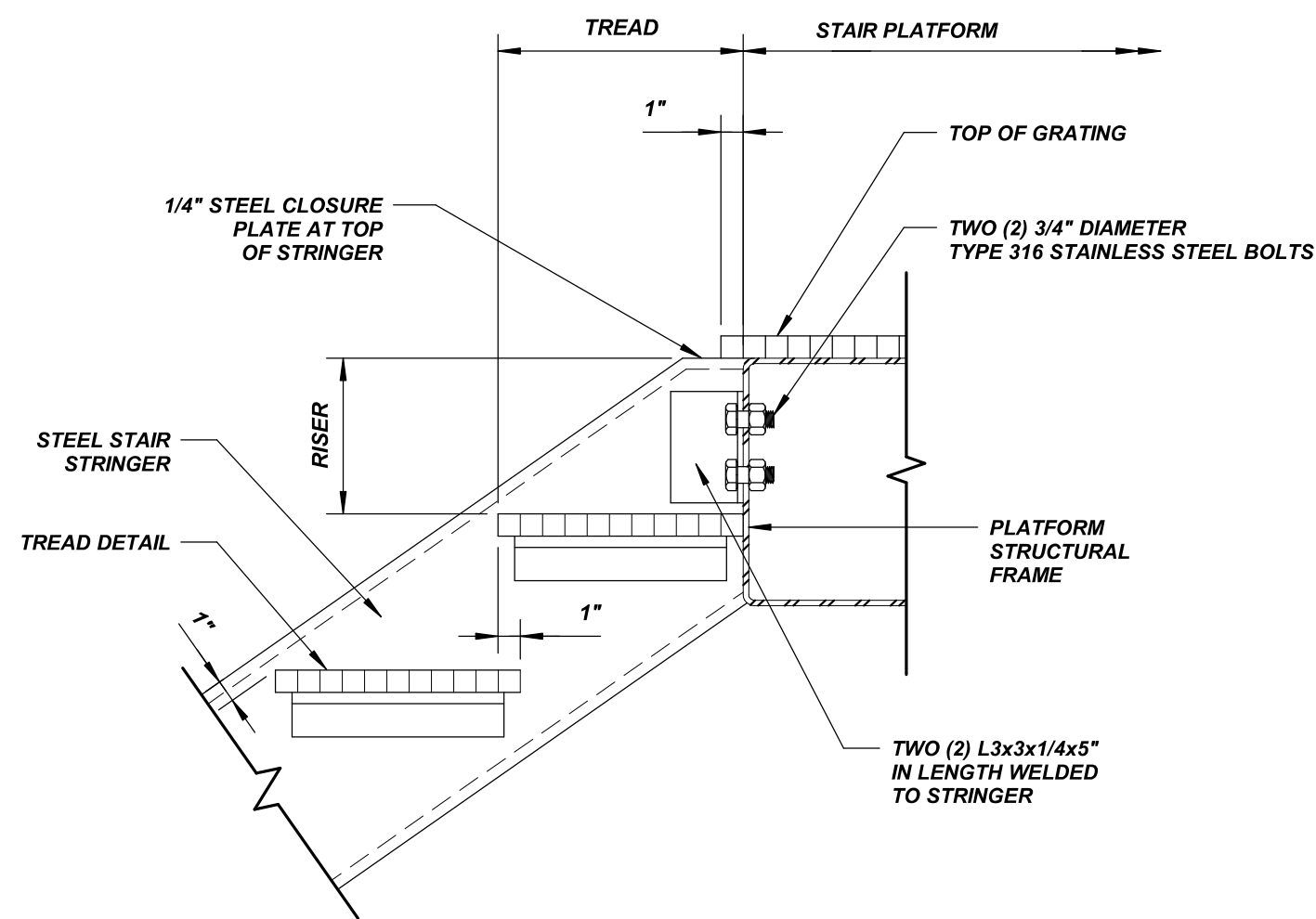
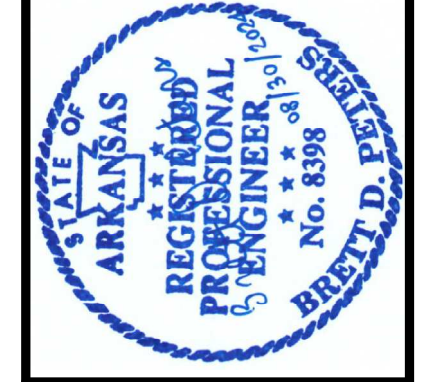
DETAIL S304  
N.T.S.



SECTION A-A

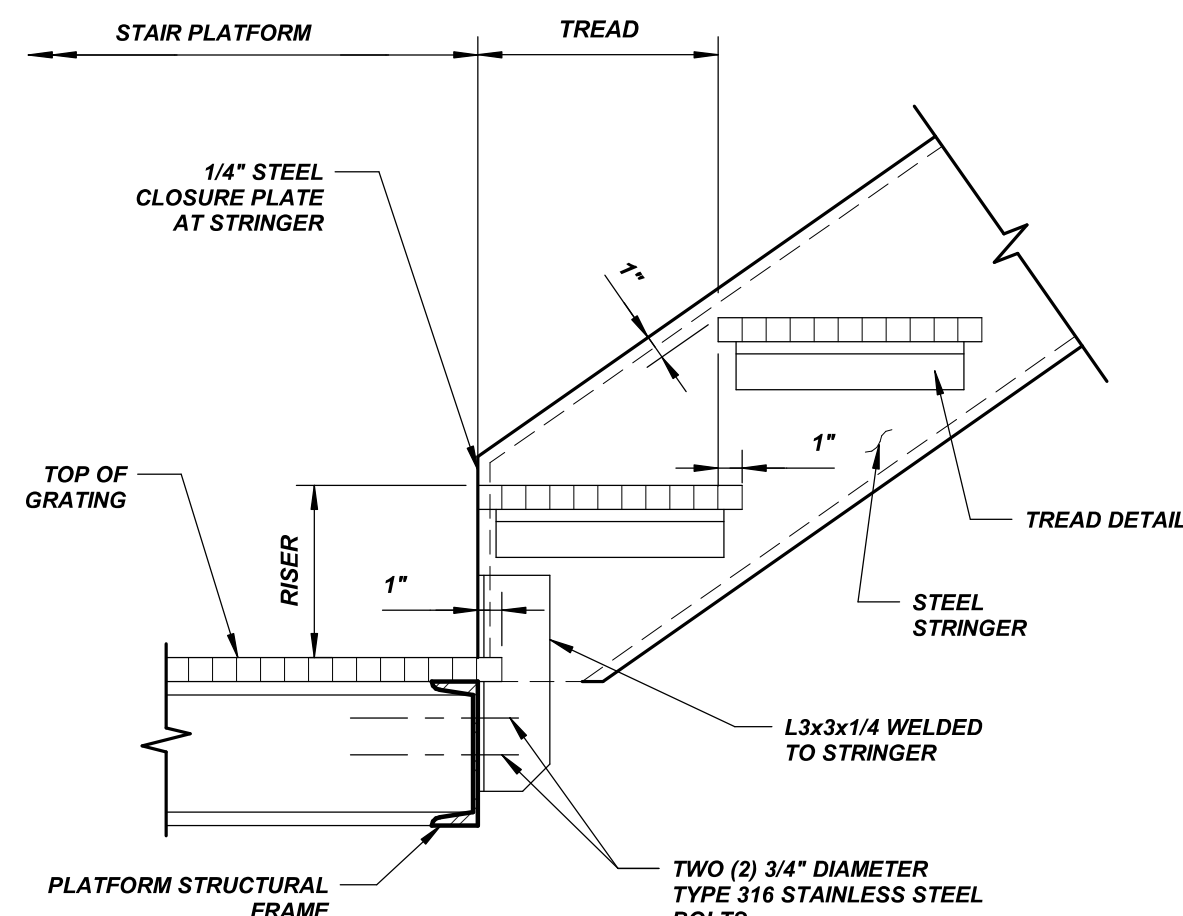


| DATE | REVISION |
|------|----------|
|      |          |
|      |          |
|      |          |



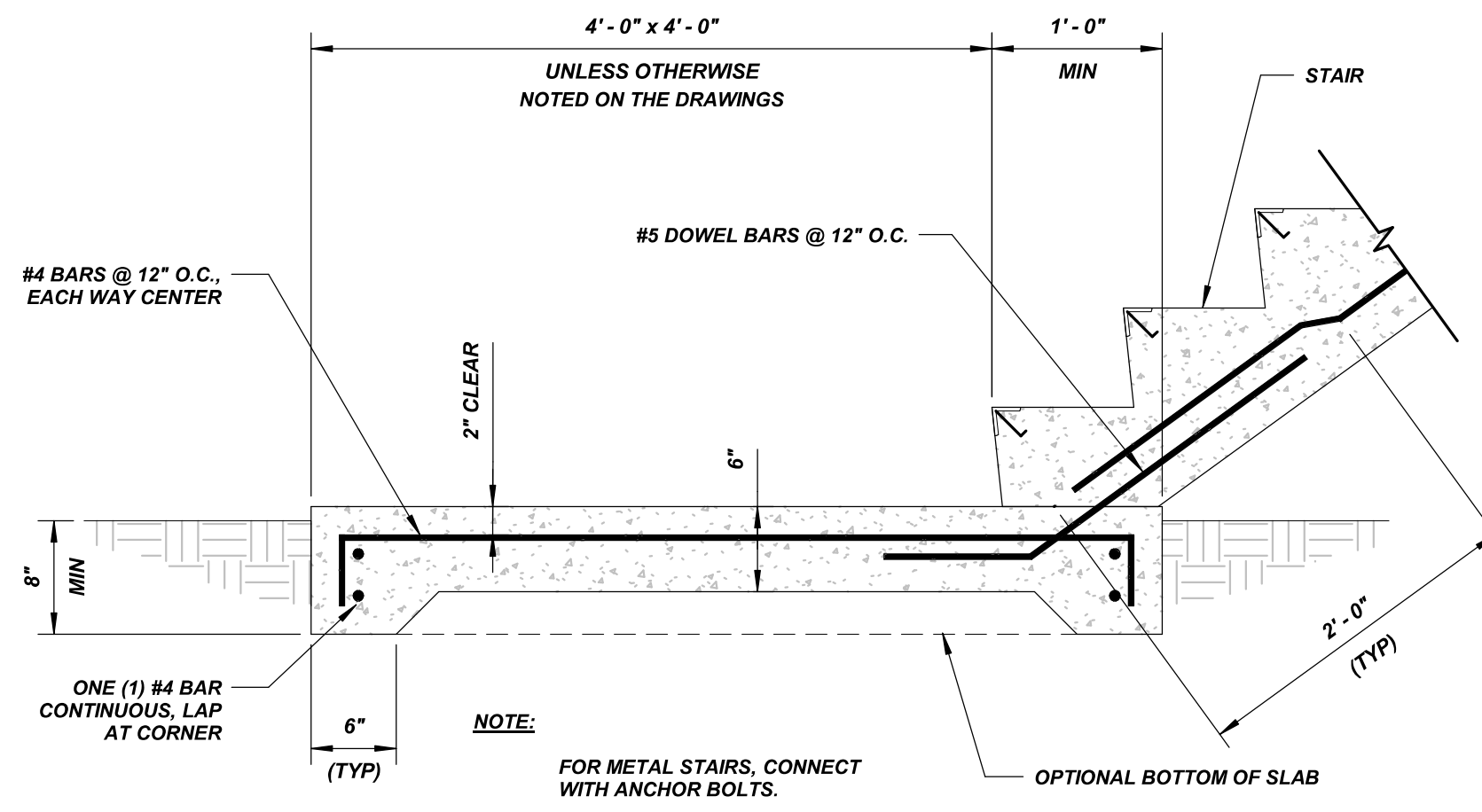
STRINGER CONNECTION AT PLATFORM (TOP)

DETAIL S305  
N.T.S.



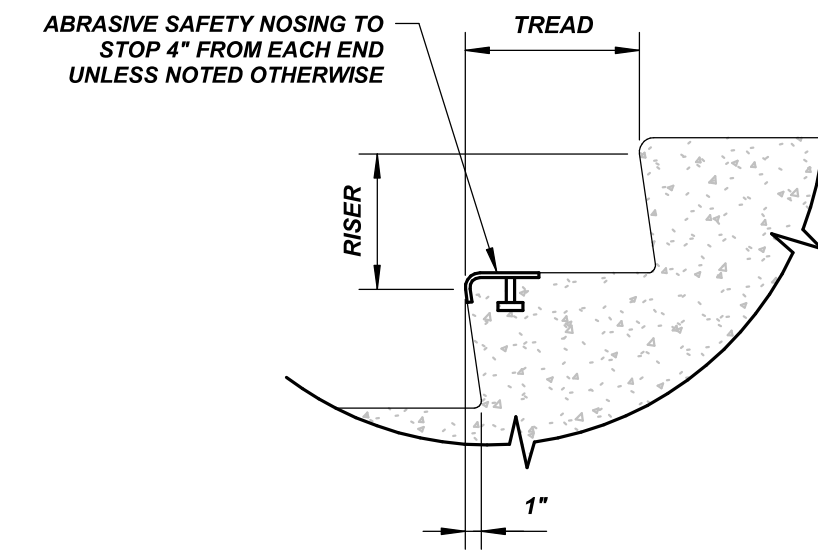
STRINGER CONNECTION AT PLATFORM (BOTTOM)

DETAIL S306  
N.T.S.



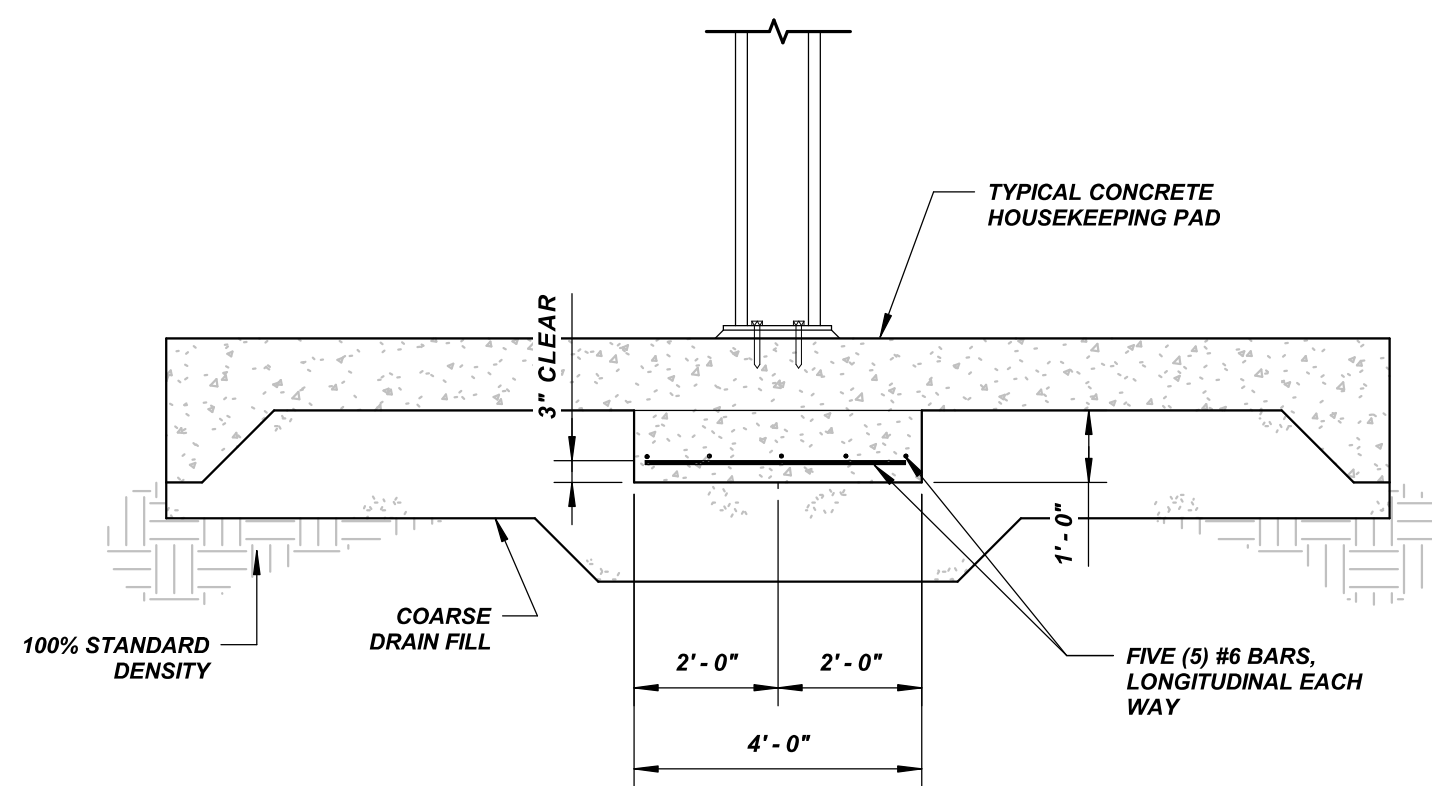
STAIR LANDING SLAB

DETAIL S307  
N.T.S.



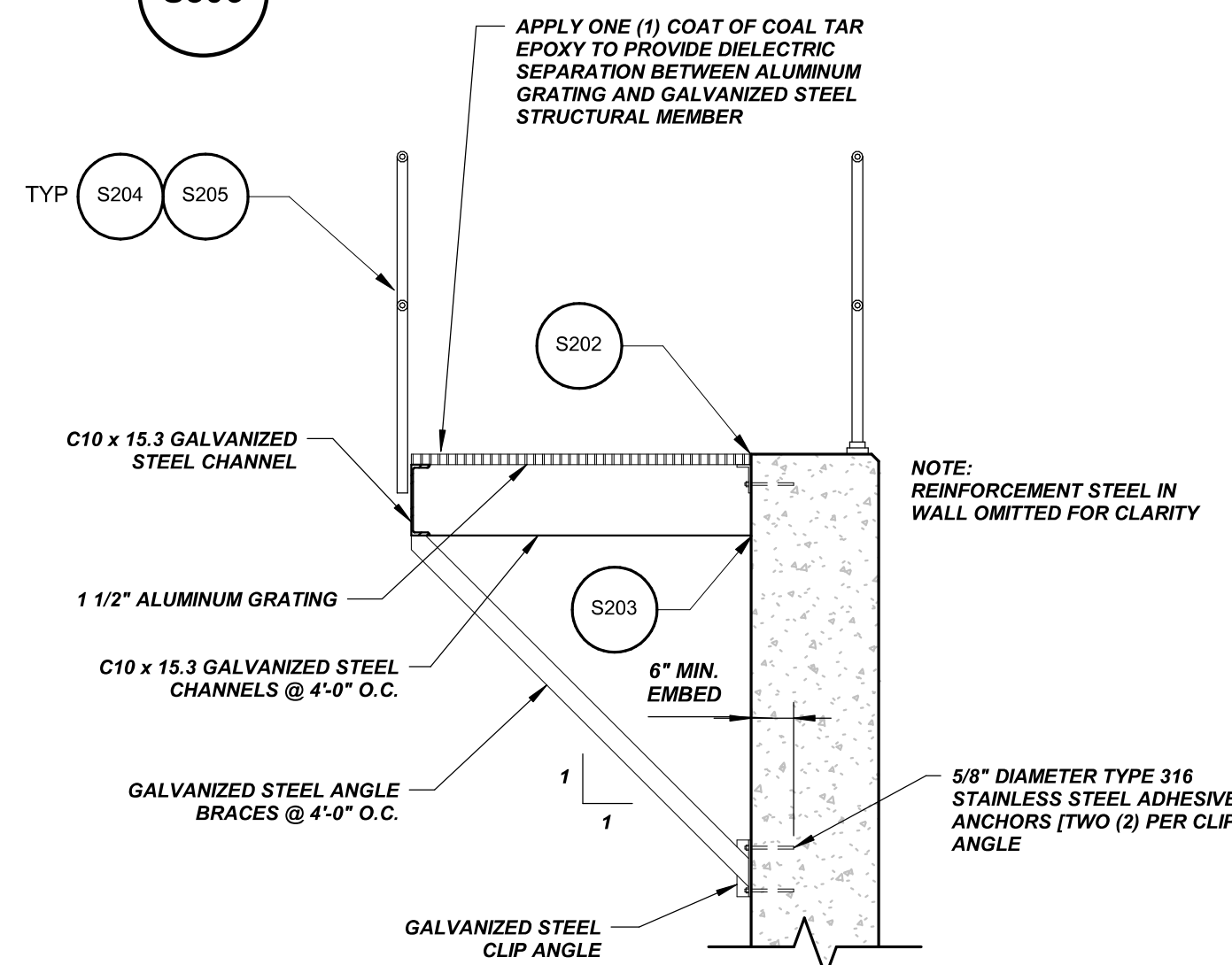
CONCRETE STAIR NOSING

DETAIL S308  
N.T.S.



PLATFORM COLUMN FOUNDATION

DETAIL S309  
N.T.S.



CANTILEVERED ACCESS PLATFORM

DETAIL S310  
N.T.S.

NOTES:

- ALL STRUCTURAL STEEL MEMBERS IDENTIFIED IN DETAILS S301 THROUGH S306 AND DETAIL S310 FOR CONSTRUCTION OF ACCESS PLATFORMS, EQUIPMENT PLATFORMS, AND ACCESS STAIRS SHALL BE HOT-DIPPED GALVANIZED.
- DETAILS IDENTIFIED ON THIS PLAN SHEET ARE FOR GUIDANCE AND TO ESTABLISH CERTAIN MINIMUM REQUIREMENTS. THE MISCELLANEOUS STEEL FABRICATOR MAY SUBMIT ALTERNATE DETAILS DURING THE SHOP DRAWING SUBMITTAL PROCESS FOR REVIEW AND APPROVAL BY THE ENGINEER.

**HAWKINS WEIR ENGINEERS, INC.**  
BLACK & VEATCH

ROGERS, ARKANSAS  
ROGERS POLLUTION CONTROL FACILITY (PCF)  
SOLIDS HANDLING IMPROVEMENTS, PHASE II  
STRUCTURAL DETAILS III  
FOR: ROGERS WATER UTILITIES

DATE: AUGUST 2024  
SCALE: AS SHOWN  
DESIGNED BY: BDP  
DRAWN BY: ADF  
HWEI NO.: 2020043  
FILENAME: SZ1-SZ4  
SHEET NO. SZ-3