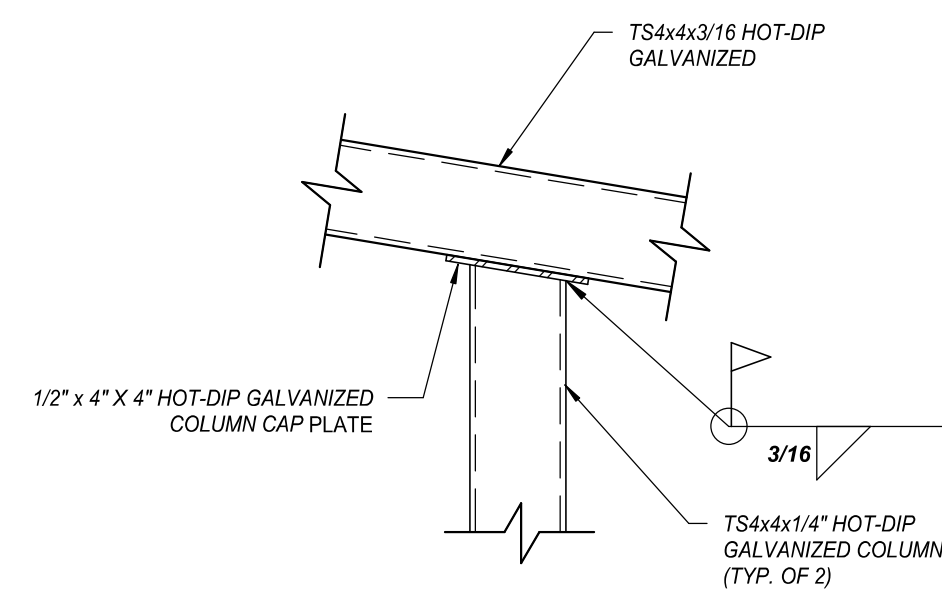


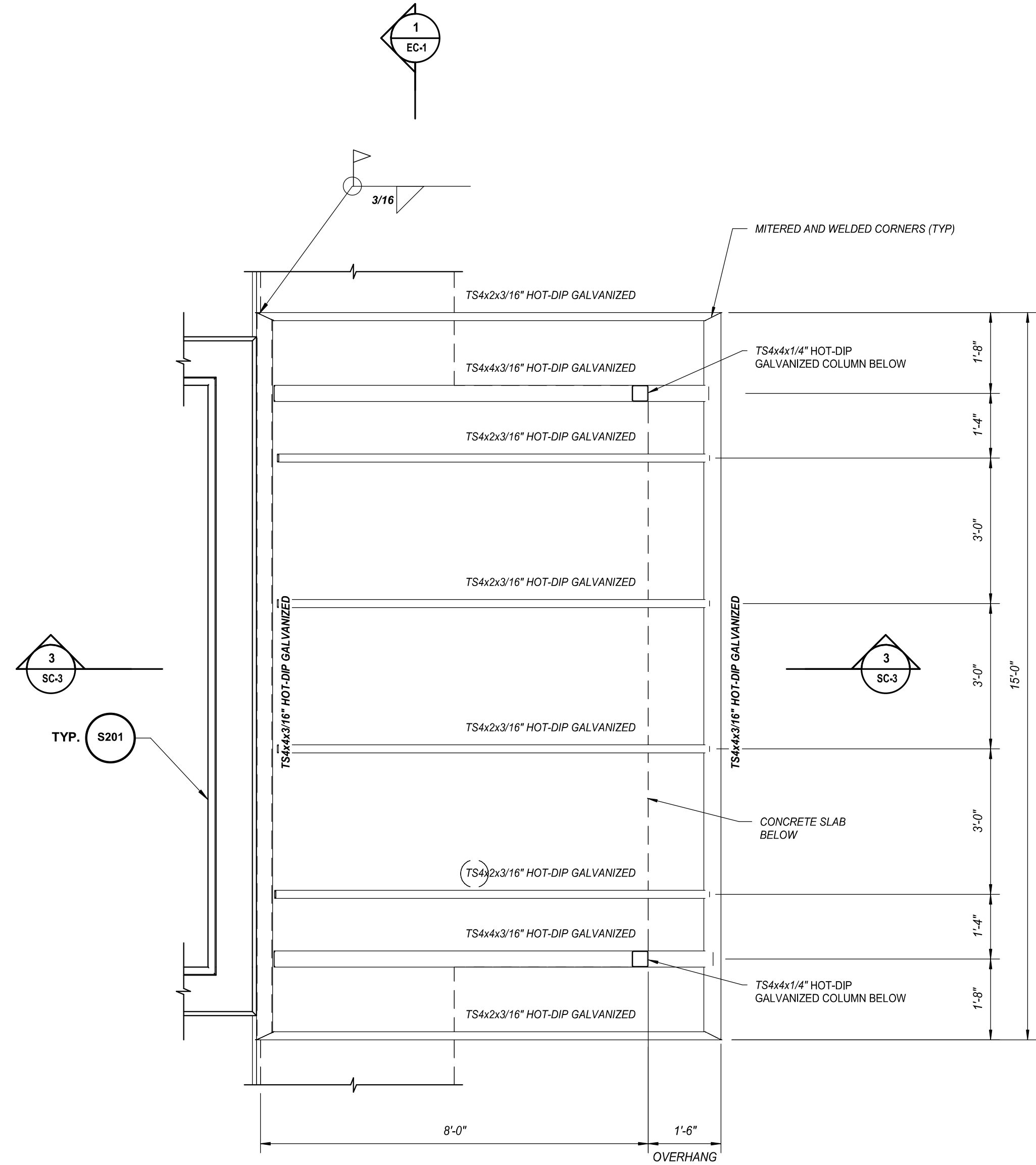
COLUMN BASE PLATE

DETAIL D
1 1/2\"/>



COLUMN TOP PLATE

DETAIL E
1 1/2\"/>



ROOF FRAMING PLAN

DETAIL F
1/2\"/>

ONE INCH
AT FULL SIZE
IF NOT ONE INCH
SCALE ACCORDINGLY

REVISION	DATE



HAWKINS WEIR ENGINEERS, INC.
BLACK & VEATCH

ROGERS, ARKANSAS
 ROGERS POLLUTION CONTROL FACILITY (PCF)
 SOLIDS HANDLING IMPROVEMENTS, PHASE II
SLUDGE MIXING BOX DETAILS
 FOR: ROGERS WATER UTILITIES

DATE: AUGUST 2024
 SCALE: As indicated
 DESIGNED BY: BDP
 DRAWN BY: ADF
 HWEI NO.: 2020043
 FILENAME: S-SLUDGE MIXING BOX

SHEET NO.
SC-4